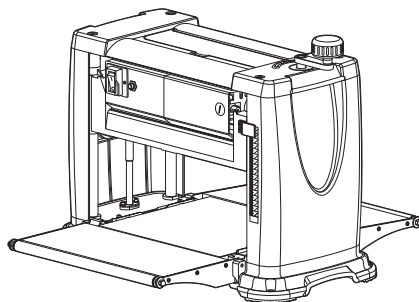


RYOBI®

RAP1500G

EN	THICKNESS PLANER WITH ANTI-KICKBACK	USER'S MANUAL	1
FR	RABOTEUSE AVEC FONCTION ANTI-REBOND	MANUEL D'UTILISATION	9
DE	DICKENHOBEL MIT RÜCKSTOSSSCHUTZ	BEDIENUNGSANLEITUNG	17
ES	CEPILLADORA DE GROSOR CON ANTIRRETROCESO	MANUAL DE UTILIZACIÓN	26
IT	PIALLA A SPESSORE CON PROTEZIONE ANTI-CONTRACCOLPO	MANUALE D'USO	34
NL	VANDIKTEBANK MET ANTI-TERUGSLAG	GEBRUIKSHANDLEIDING	42
PT	DESENGROSSADORA COM ANTI-RESSALTO	MANUAL DE UTILIZAÇÃO	50
DA	TYKKELSESHØVL MED TILBAGESLAGSSIKRING	BRUGERVEJLEDNING	60
SV	PLANHYVEL MED SÄKERHETSSYSTEM SOM FÖRHINDRAR ÅTERSTUDS	INSTRUKTIONSBOK	68
FI	TASOHÖYLÄ TAKAISKUN ESTO -OMINAISUUDELLA	KÄYTTÄJÄN KÄSIKIRJA	76
NO	TYKKELSESHØVELMASKIN MED ANTI-REKYL	BRUKSANVISNING	84
RU	РЕЙСМУСОВЫЙ СТАНОК С ЗАЩИТОЙ ОТ ОБРАТНОГО ХОДА ЗАГОТОВКИ	РУКОВОДСТВО ПО ЭКСПЛУАТАЦИИ	92
PL	STRUGARKA GRUBOŚCIOWA Z ZABEZPIECZENIEM PRZED ODRZUTEM	INSTRUKCJA OBSŁUGI	101
CS	TLOUŠŤKOVACÍ FRÉZKA S OCHRANOU PROTI ZPĚTNÉMU RÁZU	NÁVOD K OBSLUZE	110
HU	VISSZARÚGÁS NÉLKÜLI GYALUGÉP VASTAGSÁGA	HASZNÁLATI ÚTMUTATÓ	118
RO	MAȘINĂ DE RINDELUIT CU SISTEM ANTI-RECUŁ	MANUAL DE UTILIZARE	126
LV	BIEZUMĒVELE AR ATSI TIENA NOVĒRSĀNU	LIETOTĀJA ROKASGRĀMATA	134
LT	OBLIAVIMO-DROŽIMO STAKLĖS SU APSAUGA NUO ATATRANKOS	NAUDOJIMO VADOVAS	142
ET	TAGASILŌOGIKAITSEGA PAKSUSHŌVELPINK	KASUTAJAJUHEND	150
HR	BLANJA-DEBLJAČA SA ZAŠTITOM OD POVRATNOG UDARA	KORISNIČKI PRIRUČNIK	158
SL	HOBLOVAČKA HRUBKOVAČA S OCHRANOU PROTI SPĀTNĚMU RÁZU	UPORABNIŠKI PRIROČNIK	166
SK	PORAVNALNI SKOBELJNI STROJ Z ZAŠČITO PRED POVRATNIM UDARCEM	NÁVOD NA POUŽITIE	174
BG	МАШИНА ЗА РЕГУЛИРАНЕ НА ДЕБЕЛИНАТА СЪС СИСТЕМА ПРОТИВ ОТКАТ	РЪКОВОДСТВО ЗА ОПЕРАТОРА	182
UK	РОЗПИЛЮВАЛЬНИЙ РУБАНОК З АНТИ-ВІДДАЧЕЮ	ПОСІБНИК ОПЕРАТОРА	192
TR	GERİ TERPESİZ PLANYA	KULLANIM KILAVUZU	200
EL	ΠΛΑΝΗ ΜΕ ΑΠΟΦΥΓΗ ΕΠΙΣΤΡΟΦΗΣ	ΟΔΗΓΙΕΣ ΧΡΗΣΗΣ	208

EN ORIGINAL INSTRUCTIONS | FR TRADUCTION DES INSTRUCTIONS ORIGINALES | DE ÜBERSETZUNG DER ORIGINALANLEITUNG | ES TRADUCCIÓN DE LAS INSTRUCCIONES ORIGINALES | IT TRADUZIONE DELLE ISTRUZIONI ORIGINALI | NL VERTALING VAN DE ORIGINELE INSTRUCTIES | PT TRADUÇÃO DAS INSTRUÇÕES ORIGINAIS | DA ÖVERSÆTTELSE AF DE ORIGINALE INSTRUKTIONER | SV ÖVERSÄTTNING AV DE URSPRUNGLIGA INSTRUKTIONERNA | FI ALKUPERÄISTEN OHJEIDEN SUOMENNOS | NO ÖVERSÆTTELSE AV DE ORIGINALE INSTRUKSJONENE | RU ПЕРЕВОД ОРИГИНАЛЬНЫХ ИНСТРУКЦИЙ | PL TŁUMACZENIE INSTRUKCJI ORYGINALNEJ | CS PŘEKLAD ORIGINÁLNÍCH POKYNŮ | HU AZ EREDETI ÚTMUTATÓ FORDÍTÁSA | RO TRADUCEREA INSTRUCȚIUNILOR ORIGINALE | LV TULKOTS NO ORIGINĀLAS INSTRUKCIJAS | LT ORIGINALIŲ INSTRUKCIJŲ VERTIMAS | ET ORIGINAALJUHENDI TÖLGE | HR PRIJEVOD ORIGINALNIH UPUTA | SL PREVOD ORIGINALNIH NAVODIL | SK PŘEKLAD ORIGINALNEHO NÁVODU | BG ПЕРЕВОД ОТ ОРИГИНАЛНИТЕ ИНСТРУКЦИИ | UK ПЕРЕКЛАД ОРИГІНАЛЬНИХ ІНСТРУКЦІЙ | TR ORJINAL TALIMATLARIN TERÇÜMESİ | EL ΜΕΤΑΦΡΑΣΗ ΤΩΝ ΠΡΟΤΥΠΩΝ ΟΔΗΓΙΩΝ





Important!	It is essential that you read the instructions in this manual before assembling, maintaining and operating the product.
Attention!	Il est essentiel que vous lisiez les instructions contenues dans ce manuel avant d'assembler, d'entretenir et d'utiliser le produit.
Achtung!	Es ist wichtig, dass Sie vor Zusammenbau, Wartung und Benutzung des Produktes die Anweisungen in dieser Anleitung lesen.
¡Atención!	Resulta fundamental que lea este manual de instrucciones antes de realizar el montaje, el mantenimiento y de utilizar este producto
Attenzione!	E' importante leggere le istruzioni contenute nel presente manuale prima di montare il prodotto, svolgere le operazioni di manutenzione sullo stesso e metterlo in funzione.
Let op!	Het is van essentieel belang dat u de instructies in deze gebruiksaanwijzing leest voor u het product monteert, onderhoudt en gebruikt.
Atenção!	É fundamental que leia as instruções deste manual antes da montagem, manutenção e operação do aparelho.
OBS!	Det er vigtigt, at man læser instrukserne i denne brugsanvisning, inden man samler, vedligeholder og betjener produktet.
Observera!	Det är viktigt att du läser instruktionerna i manualen före montering, användning och underhåll av produkten.
Huomio!	On tärkeää, että luet tämän käsikirjan ohjeet ennen tuotteen kokoamista, huoltoa ja käyttöä.
Advarell!	Det er viktig at du leser instruksjonene i denne manualen før sammensetning, vedlikehold og bruk av produktet
Внимание!	Необходимо прочитать инструкции в данном руководстве перед сборкой, обслуживанием и эксплуатацией этого изделия.
Uwaga!	KoniecznIE należy przeczytać instrukcje zawarte w tym podręczniku przed montażem, obsługą oraz konserwacją produktu.
Důležité upozornění!	Neinstalujte, neprovádějte údržbu ani nepoužívejte tento výrobek dříve, než si přečtete pokyny uvedené v tomto návodu.
Figyelem!	Fontos, hogy a termék összeszerelése, karbantartása és használatá előtt elolvassa a kézikönyvben található utasításokat.
Atenție!	Este esențial să citiți instrucțiunile din acest manual înainte de asamblare, efectuarea întreinerii și operarea produsului.
Uzmanību!	Ir svarīgi izlasīt šīs rokasgrāmatas instrukcijas pirms uzstādīšanas, apkopes un precēs darbināšanas.
Dėmesio!	Prieš surenkant, prižiūrint ir naudojant gaminį, būtina perskaityti šiame vadove pateiktus nurodymus.
Tähtis!	Enne masina kokkupanekut, hooldamist ja kasutama hakkamist tuleb käesolevas juhendis esitatud juhised kindlasti läbi lugeda.
Upozorenje!	Vrlo je važno da ste prije sklapanja, održavanja i rada s ovim proizvodom pročitali upute u ovom priručniku.
Pomembno!	Pomembno je da pred montažo vzdrževanjem in uporabo tega izdelka preberete navodila v tem priločniku.
Upzornenie!	Je dôležité, aby ste si pred montážou, údržbou a obsluhou produktu prečítali pokyny v tomto návode.
Важно!	Искључително важно е да прочетете инструкциите в настоящото ръководство, преди да преминете към сглобяване, поддръжка или работа с продукта.
Важливо!	Дуже важливо, щоб ви прочитали інструкції в цьому керівництві перед складанням, обслуговуванням та експлуатацією цієї машини.
Dikkat!	Ürünün montajını, bakımını yapmadan ve ürünü çalıştırmadan önce bu kılavuzda yer alan talimatları okumanız önemlidir.
Προσοχή!	Είναι πολύ σημαντικό να διαβάσετε τις οδηγίες στο παρόν εγχειρίδιο πριν συναρμολογήσετε, συντηρήσετε ή λειτουργήσετε το προϊόν.

Subject to technical modification | Sous réserve de modifications techniques | Technische Änderungen vorbehalten | Bajo reserva de modificaciones técnicas | Con riserva di eventuali modifiche tecniche | Technische wijzigingen voorbehouden | Com reserva de modificações técnicas | Med forbehold for tekniske ændringer | Med förbehåll för tekniska ändringar | Tekniset muutokset varataan | Med forbehold om tekniske ændringer | могут быть внесены технические изменения | Z zastrzeżeniem modyfikacji technicznych | Změny technických údajů vyhrazeny | A műszaki módosítás jogát fenntartjuk | Sub rezerva modificărilor tehnice | Paturam tiesības mainīt tehniskos raksturlielumus | Pasilieikant teisę daryti techninius pakeitimus | Tehnilised muudatused võimalikud | Podložno tehničkim promjenama | Tehnične spremembe dopuščene | Právo na technické zmeny je vyhradené | Подлежи на технически модификации | Є об'єктом для технічних змін | Teknik değışiklik hakkı saklıdır | Υπό την επιφύλαξη τεχνικών τροποποιήσεων



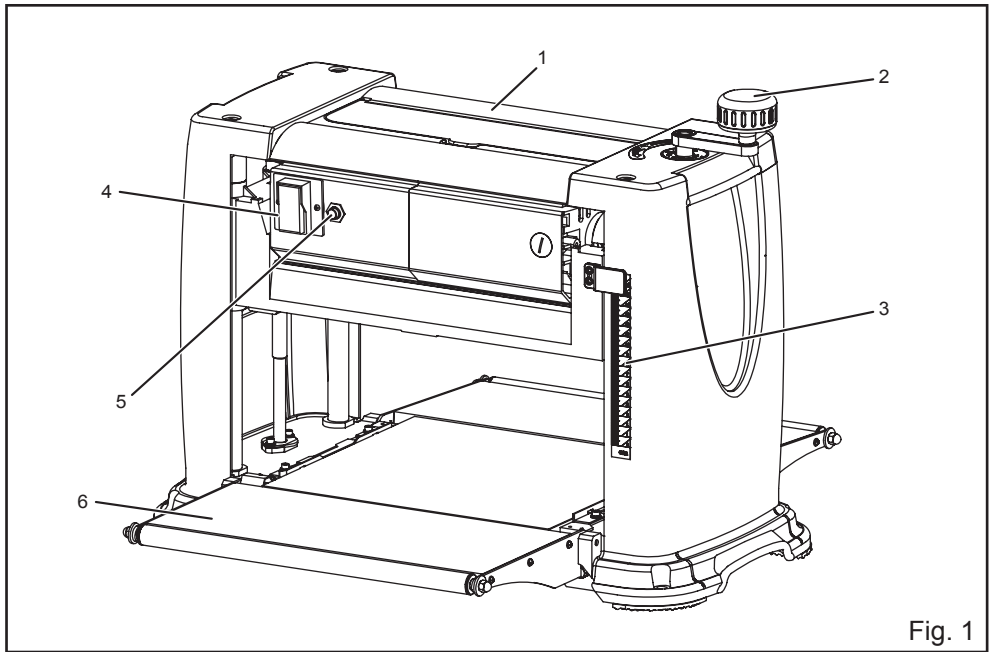


Fig. 1

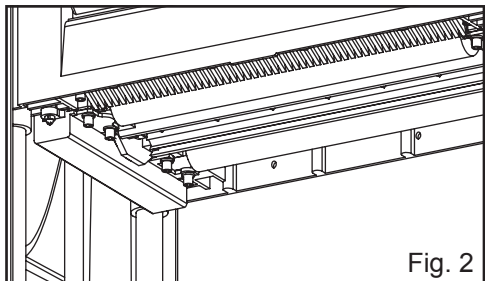


Fig. 2

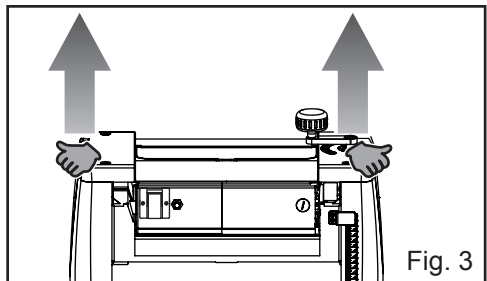


Fig. 3

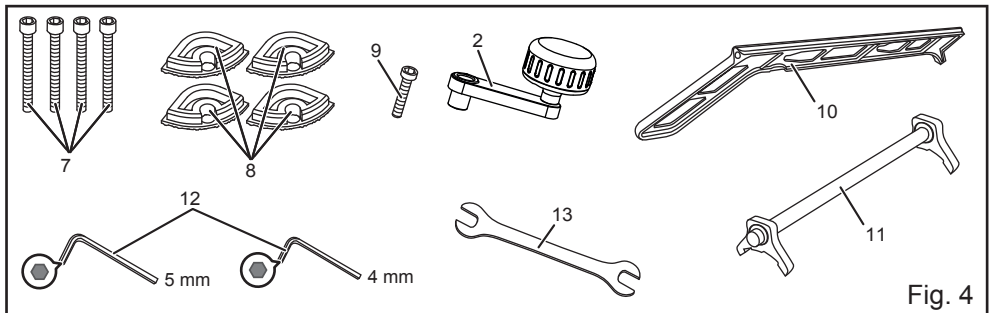


Fig. 4

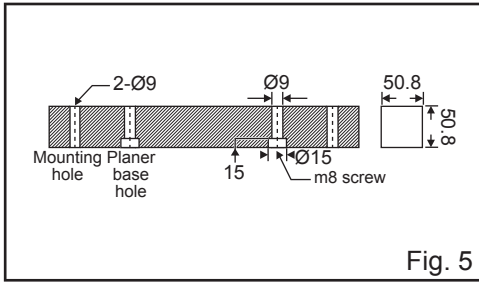


Fig. 5

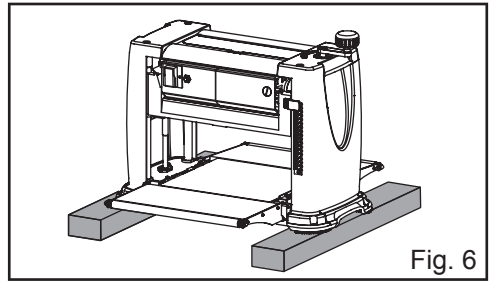


Fig. 6

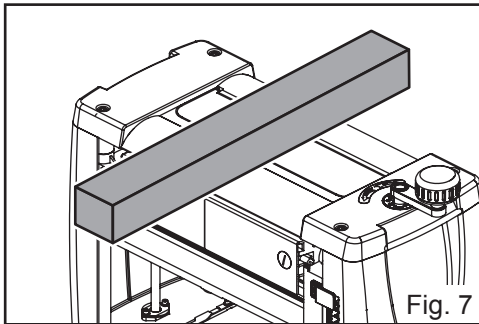


Fig. 7

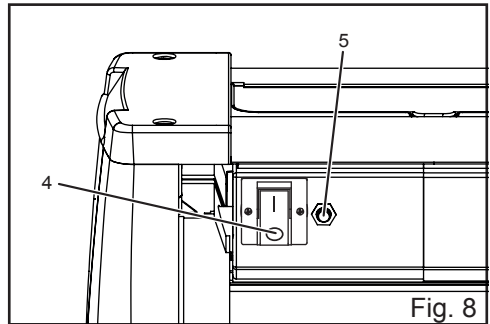


Fig. 8

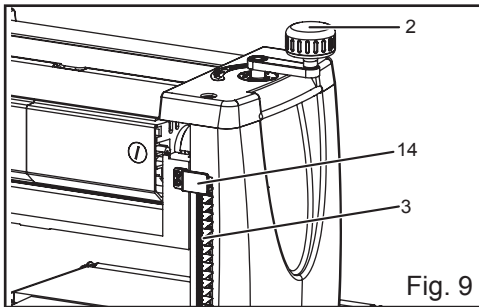


Fig. 9

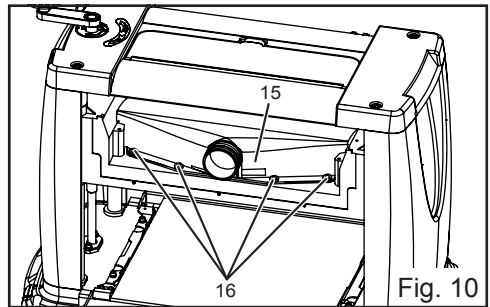


Fig. 10

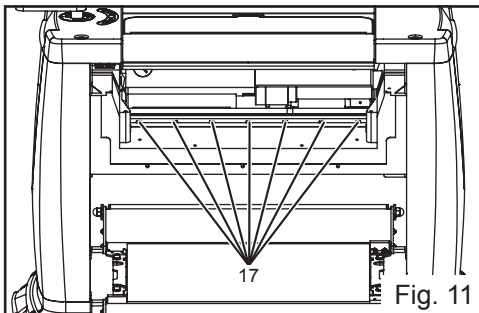


Fig. 11

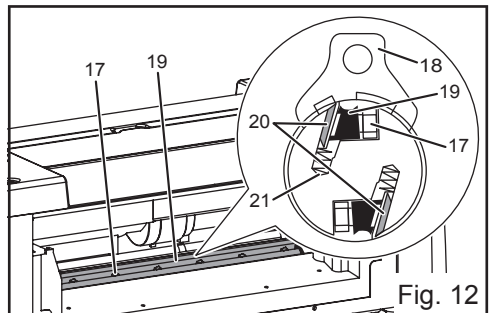


Fig. 12

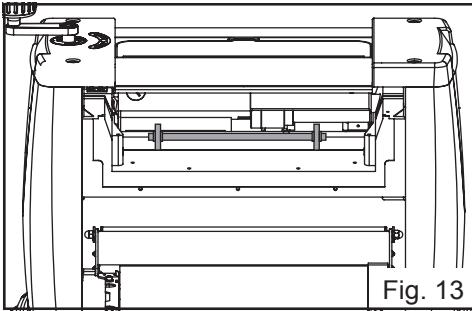


Fig. 13

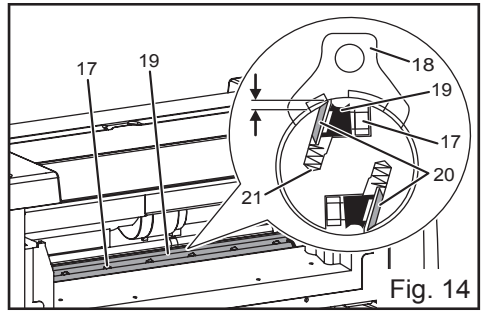


Fig. 14

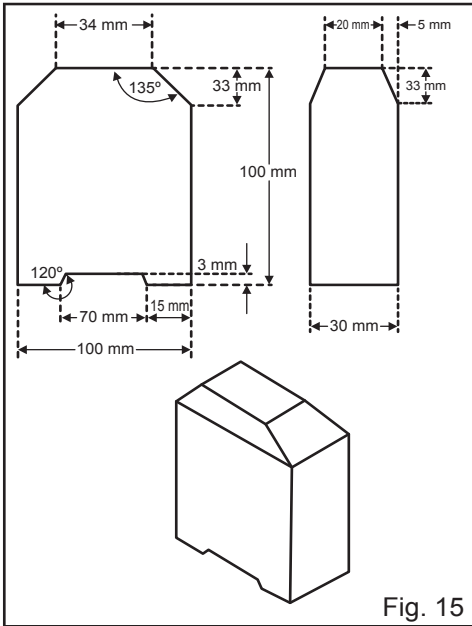


Fig. 15

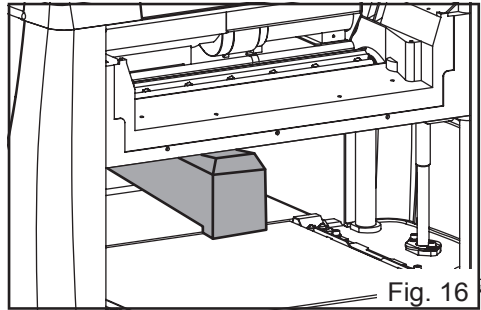


Fig. 16

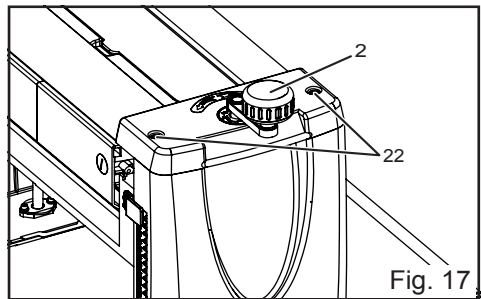


Fig. 17

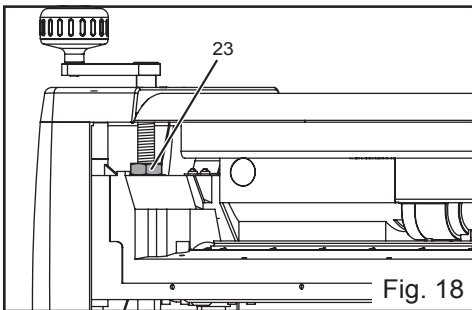


Fig. 18

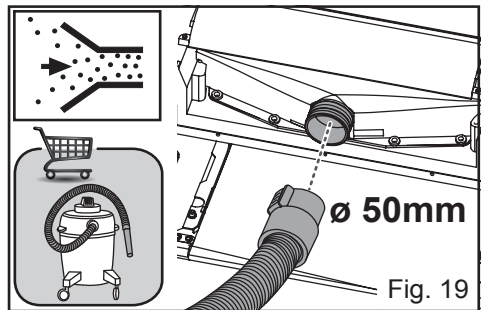


Fig. 19



English

DESCRIPTION

1. Top guard
 2. Cutterhead height adjustment crank handle
 3. Depth of cut scale
 4. Power switch
 5. Overload switch
 6. Table extension
 7. Base lock screws
 8. Feet
 9. Elevation knob lock screw
 10. Push stick
 11. Blade setting gauge
 12. Hex keys
 13. Open end wrench
 14. Plastic pointer
 15. Dust chute
 16. Hexagonal socket head cap screws
 17. Forcing screws
 18. Blade setting gauge
 19. Lock bar
 20. Lock screws
 21. Blades
 22. Spring
 23. Allen screws
 24. Height adjustment nut
- Safety, performance, and dependability have been given top priority in the design of your thickness planer.

INTENDED USE

The planer is intended for planing wood.
Do not use this product in any other way other than those stated for intended use.

GENERAL SAFETY WARNINGS

⚠ WARNING

When using electric tools, basic safety precautions should always be followed to reduce the risk of fire, electric shock and personal injury. Read all these instructions before attempting to operate this product and save these instructions.

- **Keep work area clear.** Cluttered areas and benches invite injuries.
- **Consider work area environment.** Do not expose tools to rain. Do not use tools in damp or wet locations. Keep work area well lit. Do not use tools in the presence of flammable liquids or gases.
- **Guard against electric shock.** Avoid body contact with earthed or grounded surfaces (e.g., pipes,

- radiators, ranges, refrigerators).
- **Keep other persons away.** Do not let persons, especially children, be involved in the work, touch the tool or the extension cord, and keep them away from the work area.
- **Store idle tools.** When not in use, tools should be stored in a dry locked-up place, out of reach of children.
- **Do not force the tool.** It will do the job better and safer at the rate for which it was intended.
- **Use the right tool.** Do not force small tools to do the job of a heavy duty tool. Do not use tools for purposes not intended, for example, do not use circular saws to cut tree limbs or logs.
- **Dress properly.** Do not wear loose clothing or jewellery, they can be caught in moving parts. Non-skid footwear is recommended when working outdoors. Wear protective hair covering to contain long hair.
- **Use protective equipment.** Use safety glasses. Use face or dust mask if working operations create dust.
- **Connect dust extraction equipment.** If the tool is provided for the connection of dust extraction and collecting equipment, ensure these are connected and properly used.
- **Do not abuse the cord.** Never yank the cord to disconnect it from the socket. Keep the cord away from heat, oil and sharp edges.
- **Secure work.** Where possible, use clamps or a vice to hold the work. It is safer than using your hand.
- **Do not overreach.** Keep proper footing and balance at all times.
- **Maintain tools with care.** Keep cutting tools sharp and clean for better and safer performance. Follow instruction for lubricating and changing accessories. Inspect tool cords periodically and if damaged, have them repaired by an authorized service facility. Inspect extension cords periodically and replace if damaged. Keep handles dry, clean and free from oil and grease.
- **Disconnect tools.** When not in use, before servicing and when changing accessories such as blades, bits and cutters, disconnect tools from the power supply.
- **Remove adjusting keys and wrenches.** Form the habit of checking to see that keys and adjusting wrenches are removed from the tool before turning it on.
- **Avoid unintentional starting.** Ensure switch is in "off" position when plugging in.
- **Use outdoor extension leads.** When the tool is used outdoors, use only extension cords intended for outdoor use and so marked.
- **Stay alert.** Watch what you are doing, use common





English

sense and do not operate the tool when you are tired.

- **Check damaged parts.** Before further use of tool, it should be carefully checked to determine that it will operate properly and perform its intended function. Check for alignment of moving parts, binding of moving parts, breakage of parts, mounting and any other conditions that may affect its operation. A guard or other part that is damaged should be properly repaired or replaced by an authorized service centre unless otherwise indicated in this instruction manual. Have defective switches replaced by an authorized service centre. Do not use the tool if the switch does not turn it on and off.
- **Warning.** The use of any accessory or attachment other than the one recommended in this instruction manual may present a risk of personal injury.
- **Have your tool repaired by a qualified person.** This electric tool complies with the relevant safety rules. Repairs should only be carried out by qualified persons using original spare parts otherwise this may result in considerable danger to the user.

PLANER SAFETY WARNINGS

- Always wear eye and ear protection when operation the machine.
- Wear gloves when handling the cutter block and rough material to reduce injuries from sharp edges.
- Wear a face or dust mask if the operation is dusty.
- Check to make sure all holding screws are tight before starting machine.
- Always stop the motor and disconnect from the power source before making any adjustments.
- Be sure all guards are in place before operation.
- Read operator's manual thoroughly and familiarise yourself with the machine before operation.
- Do not force work through the machine. Allow the planer to apply the proper feed rate.
- Check feed rollers occasionally to be sure sawdust and chips are not lodged between any components. If rollers are not seated firmly, the feed rolls will not hold timber firmly against the bed, allowing kickback.
- Check and make sure the roller tables are on the same plane with the work table when planing wood, and the rollers can rotate freely when planing long workpieces.
- Use the product to plane dry wood boards only.
- Use sound timber, with no loose knots and as few tight knots as possible.
- Never stand directly in line with either the infeed or outfeed sides. Always stand off to one side of the machine.

- Make sure the workpiece is free of nails, screws, stones and other foreign objects which could damage the blades.
- Make sure the blades are attached correctly as described in the instructions.
- Use caution when handling the blades and cutterhead assembly. The blades are sharp and can easily cut your hand.
- Allow the cutterhead to reach full speed before using.
- Use the push stick instead of your hands to push the workpiece when its end approaches the blades. The push stick should be stored on the work table when not in use.
- Use blades which are well sharpened and maintained.
- Use only cutting blades designed for the product.
- Make sure the planer is securely mounted before use. Pay extra attention to stability when planing long workpieces.
- Keep hands away from the blade when it is moving.
- Do not make cuts deeper than 3mm (1/8").
- Wear eye protection that meets your local safety standards.
- Do not remove jammed piece until the blade has stopped and the power is OFF.

⚠ WARNING

Never conduct the following operations:

- Stopped work (i.e., any cut which does not involve the full length of the workpiece)
- Planing recesses, tenons or moulds
- Planing badly bowed wood with inadequate contact with the infeed table

ANTI-KICKBACK PAWLS

See figure 2.

- An anti-kickback pawl is a device which, when properly installed and maintained, is designed to stop the workpiece from being kicked back toward the front of the blade during a planer operation.

AVOIDING KICKBACK

- Always use the correct blade depth setting. Inspect the work for knots or nails before beginning a cut. Knock out any loose knots with a hammer. Never cut into a loose knot or nail.
- Always use clean, sharp, and properly-set blades.
- Never use planer with dull blades.





English

- To avoid pinching the blade, support the work properly before beginning a planer operation.
- When planing use steady, even pressure. Never force the planer.
- Do not plane wet or warped timber.
- Always hold your workpiece firmly with both hands, keep your body in a balanced position to be ready to resist kickback. Never stand directly in line with timber.

RESIDUAL RISKS

Even when the product is used as prescribed, it is still impossible to completely eliminate certain residual risk factors. The operator should pay particular and additional attention to these points in order to reduce the risk of serious personal injury.

- Injury to hearing – Wear suitable ear protection and limit exposure.
- Injury to sight – Wear protective eye shields or goggles when using the product.
- Respiratory injury from dust created by operating the product – Wear suitable protection depending on type of dust.

ELECTRICAL CONNECTION

This tool is powered by a precision built electric motor. It should be connected to a power supply that is 220-240V, AC only (normal household current), 50 Hz. Do not operate this product on direct current (DC). A substantial voltage drop will cause a loss of power and the motor will overheat. If the product does not operate when plugged into an outlet, double check the power supply.

SPEED AND WIRING

The no-load speed of this tool is approximately 9,000 rpm. This speed is not constant and decreases under a load or with lower voltage. For voltage, the wiring in a shop is as important as the horsepower rating of the motor. A line intended only for lights cannot properly carry a power tool motor. Wire that is heavy enough for a short distance will be too light for a greater distance. A line that can support one power tool may not be able to support two or three tools.

If the power supply cord is damaged, it must be replaced only by the manufacturer or by an authorized service center to avoid risk.

Only connect the product to an outlet having the same configuration as the plug. Do not use an adapter with this product.

For greater safety and reliability, all repairs should be performed by an Authorised RYOBI Service Centre.

Residual current device (RCD) protection should be provided on the circuit(s) or outlet(s) to be used for the product. Outlets are available having built-in RCD protection and may be used for this measure of safety.

If the product is used with an extension cord, ensure the connection of the power cord of the tool and the extension cord are not on the ground. Auxiliary devices should always be plugged into the wall outlet and not at the connection of an extension cord and the power tool's power cord.

If a protected outlet is not available, do not use the product until an outlet can be changed or auxiliary protection can be obtained. These auxiliary protection devices are available at your local retailer.

LOOSE PART LIST

Item	Description	Qty
2	Cutterhead height adjustment crank handle	1
7	Base lock screws	4
8	Feet	4
9	Elevation knob lock screw	1
10	Push stick	1
11	Blade setting gauge	1
12	Hex keys	2
13	Open end wrench	1

ASSEMBLY

MOVING THE PLANER

See figure 3.

- The planer can be carried using the handles on both sides of the frame. Make sure the table extensions are closed before moving the planer.

INSTALLING FEET

- Attach the feet to the corners at the bottom of the planer.

MOUNTING THE PLANER ONTO A WOOD BASE

See figures 5-6.

- When the planer is not mounted on a planer stand, it is suggested that it be mounted onto two pieces of timber. This will ensure maximum stability.
- Choose two pieces of wood according to the sizes shown in the figure. Mount the planer onto the wood





English

surface.

- Use the four base lock screws (supplied) to mount the planer base onto the wood.

STOCK REST

See figure 7.

- The stock rest on the top of the planer provides convenient handling of stock for consecutive cutting operations. Stock placed on the top of the machine can be easily pulled to the operator for planing.

OPERATION

ON / OFF SWITCH

See figure 8.

- To turn on the planer, push the **I** button. To turn off, push the **O** button.

⚠ WARNING

Always be sure the switch is in the OFF position before connecting the planer to the power source.

CIRCUIT OVERLOAD SWITCH

See figure 8.

- The machine is provided with an overload switch for overload protection. If an overload occurs, the switch will pop out. If this happens, wait several minutes and press the switch to reset the machine.

ADJUSTING DEPTH OF CUT

See figure 9.

⚠ WARNING

Never plane more than 3 mm in one pass and never attempt to plane a board under 127 mm (5") in length. Always wear a protective face shield.

- To adjust the depth of cut, turn the cutterhead height adjustment crank handle in the directions marked on top of the planer. The depth of cut adjustment can be read from the depth of cut scale. The adjustment gradation is 1.6 mm per revolution of the crank.
- Always start your work by making a light planing cut. The depth of cut on subsequent passes may be increased by up to 3 mm, but remember that a light cut creates a finer finish than a heavier cut.
- The thickness of timber running through the planer is controlled by the distance you adjust the cutting blade from the table.

- Do not plane timber that is less than 7 mm thick.
- Do not plane timber that is thicker than 153 mm (6").

ADJUSTING THE DEPTH OF CUT SCALE

See figure 9.

For the safe operation of your planer, it is very important that the depth of cut scale reads accurately. To adjust the depth of cut scale, follow the steps below:

- Feed a board for planing.
Compare the measured thickness of the board to the reading on the depth of cut scale.
- If the reading on the depth of cut scale is incorrect, loosen the screw which tightens the plastic pointer and adjust accordingly.
- When you have properly adjusted the depth of cut scale, test the reading by planing a piece of scrap timber. After planing, measure the planed thickness and double check it against the scale reading. The two measurements should be the same. Re-adjust the depth of cut scale to read the planed thickness if necessary.

REMOVING THE PLANER BLADES

See figure 10-12.

To remove the planer blades, follow the steps below:

⚠ WARNING

Unplug your planer from the power source before removing the planer blades.

- Remove the dust chute by removing the four hexagonal socket head cap screws on it.
- Loosen the lock bar and blade by turning the forcing screws clockwise. The blades are spring loaded, and will push out when the assembly is loosened.
- Take out the blade, and then the blade lock bar.

INSTALLING / REPLACING THE PLANER BLADES

See figure 12.

To install the planer blades, follow the steps below:

- Remove the blades according to the instructions in "REMOVING THE PLANER BLADES".
- Clean away all debris from the planer cutterhead.
- Fit the blade lock bar into the slot on the cutterhead.
- Fit the blade into the slot on the cutterhead, and tighten the lock bar blade assembly by turning the forcing screws counter clockwise. Make sure the blade is facing the correct direction and is centred in the slot.





English

- Set the blade heights according to the instructions in "SETTING THE BLADE HEIGHT". The blade height must be reset every time the blades are taken out for any reason.
- Be sure to replace the dust chute after blades are installed.

SETTING THE BLADE HEIGHT

See figure 13-14.

- To obtain a blade projection of 1.1 mm, place the blade setting gauge on the cutterhead with both guides resting firmly against the blade.
- Loosen the assembly by turning the seven forcing screws clockwise with an open end wrench.
- When the blade is pressed to the required height by guides on the gauge, retighten the assembly by turning the forcing screws counter clockwise. Make sure all seven forcing screws are tightened securely.

WARNING

The blade edge is very susceptible to chipping. Use caution when handling the gauge near the blades to avoid damaging them.

WARNING

The assembly must be tightened securely to prevent accidents during planing.

CONNECTING A DUST COLLECTION SYSTEM

See figure 19.

The dust produced when using this tool may be harmful to health. Use a dust absorption system and remove deposited dust thoroughly, e.g., with a vacuum cleaner.

To connect a dust collection system:

- Unplug the tool.
- Connect the nozzle of the dust collection system to the dust chute.

Clean the hose of the dust collection system frequently to avoid the accumulation of dust.

ADJUSTMENT

MAKING THE CUTTERHEAD AND WORK TABLE PARALLEL

See figures 15-18.

Plane a workpiece and measure the thickness after the cut. If the thicknesses are different on both sides of the

workpiece, perform the following:

Adjust the cutter shaft and the worktable so they are parallel. The tools used for checking are shown in figure 15. Use hardwood to make a tool gauge block according to the size shown in the figure. Make the adjustments as per the following procedures.

- Remove the height adjustment crank handle and both top and side covers by removing allen screws to expose the height adjustment lock nuts.
- Loosen the adjustment lock nuts.
- Adjust the height adjustment lock nuts up or down as required to suit the gauge block.
- When the desired height setting is reached, tighten the lock nuts in position.
- Reassemble side and top covers and replace the height adjustment crank handle.

NOTE: Remove gauge block before starting machine.

Thickness planing is the sizing of the material to a desired thickness, while creating a smooth surface parallel to the opposite side of the board.

The art of thickness planing consists mainly of using good judgement about the depth of cut in various situations. You must take into account:

1. The width of the timber
2. The hardness of the timber
3. The dampness of the timber
4. The straightness of the board
5. The grain direction
6. The grain structure

How these factors can affect the quality of the work can only be learned through experience. Whenever working with a new type of wood, or one with unusual problems, always make test cuts on scrap material prior to working on the actual piece.

FOR ADDITIONAL PLANING

If additional planing is needed to obtain the desired thickness of finish, hand crank the cutterhead no more than 3 mm (at any given time) and complete another pass.

WARNING

Never plane more than 3 mm in one pass and never attempt to plane a board under 127 mm (5") in length. Always wear a protective face shield.





English

MAINTENANCE

⚠ WARNING

Always make sure the power plug has been removed from the mains power source before making adjustments, lubricating or when doing any maintenance on the product.

RE-SHARPENING THE BLADE
 If re-sharpening of blade is necessary, only re-sharpening the wedged area is allowed.


- LUBRICATION**
- The recommended lubrication for roller chains used in medium to low operation is to simply wipe the chain clean. When there is an excess build-up of dust or wood shavings, etc., coat the chain with a light film of oil but never pour the oil directly on the chain. Over-oiling tends to hasten the collection of dust and woodshavings and works them into members of the chain leading to increased wear and premature replacement. This applies to the speed reduction and height adjustment chains as well as the elevation screws.
 - The bearings on the cutterhead are factory lubricated and sealed. They require no further attention.

- PERIODIC MAINTENANCE**
- The build-up of sawdust and other debris can cause your machine to plane inaccurately. Periodic cleaning is mandatory for precision planing and is highly recommended.
 - Close fitting parts, such as the lockbars and the planer cutterhead slots, should be cleaned with a brush; remove clinging foreign matters. Then replace all parts in their respective positions slightly dampened with oil.
 - Remove resin and other accumulations from feed rollers and table with a non-flammable solvent.








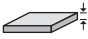
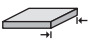
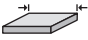
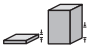

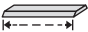
TRANSPORTATION AND STORAGE

When transporting the product, disconnect the power cord and dismount the product. Carry the product using the handles on both sides of the frame. Store the product in a secure place that is not accessible to children.
 Clean the product using a brush and vacuum cleaner before storage.

ENVIRONMENTAL PROTECTION

 Recycle raw materials instead of disposing of as waste. The machine, accessories and packaging should be sorted for environmental-friendly recycling.

SYMBOL

-  Safety alert
-  CE conformity
-  Please read the instructions carefully before starting the product.
-  Class II tool, double insulation
-  Wear ear protection
-  Always wear eye protection
-  Direction of blade rotation
-  Maximum planing depth per pass
-  Minimum planing length
-  Maximum planing width
-  Planing height
-  Feeding speed
-  Blade length



English



Lower the blade



Raise the blade



Waste electrical products should not be disposed of with household waste. Please recycle where facilities exist. Check with your Local Authority or retailer for recycling advice.





English

TROUBLESHOOTING

PROBLEM	POSSIBLE CAUSE	SOLUTION
Grain is fuzzy.	<ol style="list-style-type: none"> 1. Planing wood with high moisture content. 2. Blades are dull. 	<ol style="list-style-type: none"> 1. Dry the wood. 2. Sharpen the blades.
Grain is torn.	<ol style="list-style-type: none"> 1. The cut is too heavy. 2. Blades are cutting against the grain. 3. Blades are dull. 	<ol style="list-style-type: none"> 1. Review proper depth of cut. 2. Feed the workpiece with the grain, or turn workpiece around. 3. Sharpen the blades.
Grain is rough / raised.	<ol style="list-style-type: none"> 1. Blades are dull. 2. Cut is too heavy. 3. Moisture content is too high. 4. Cutterhead bearings are damaged. 	<ol style="list-style-type: none"> 1. Sharpen the blades. 2. Review proper depth of cut. 3. Dry the wood. 4. Replace the bearings.
Uneven depth of cut from side to side.	<ol style="list-style-type: none"> 1. Blade projection is not uniform. 2. Cutterhead is not levelled to planer bed. 	<ol style="list-style-type: none"> 1. Adjust the blade projection. 2. Level the cutterhead to table.
Board thickness does not match depth of cut scale.	<ol style="list-style-type: none"> 1. Depth of cut scale is incorrect. 	<ol style="list-style-type: none"> 1. Adjust the depth of cut scale.
Chain is jumping.	<ol style="list-style-type: none"> 1. Sprockets are misaligned. 2. Sprockets are worn. 	<ol style="list-style-type: none"> 1. Align the sprockets. 2. Replace the sprockets.
Tool will not start / restart.	<ol style="list-style-type: none"> 1. Tool is not plugged in. 2. Motor failure. 3. Wire is loose. 4. Overload reset has failed. 5. Motor starter failure. 	<ol style="list-style-type: none"> 1. Check the power source. 2. Check the motor. 3. Have the motor checked by an authorised service agent. 4. Allow machine to cool down and restart. 5. Have motor starter checked by authorised service agent.
Repeated circuit tripping resulting in motor stoppage.	<ol style="list-style-type: none"> 1. Extension cord is too long or too thin. 2. Blades are too dull. 3. Low voltage running. 	<ol style="list-style-type: none"> 1. Use a shorter or thicker extension cord. 2. Sharpen or replace the blades. 3. Check the voltage.
Poor feeding of timber.	<ol style="list-style-type: none"> 1. Planer table is dirty. 2. Feed roller is damaged. 3. Sprocket is damaged. 4. Gear box malfunctions. 	<ol style="list-style-type: none"> 1. Clean off the pitch and residue, and lubricate the planer table. 2. Replace the feed roller. 3. Replace the sprocket. 4. Check the gear box.
Workpiece is jammed.	<ol style="list-style-type: none"> 1. Inadequate blade setting height. 	<ol style="list-style-type: none"> 1. Set the blade to the correct height.





Français

DESCRIPTION

1. Protection supérieure
2. Manivelle d'ajustement de la hauteur de coupe
3. Profondeur de coupe graduée
4. Interrupteur d'alimentation
5. Interrupteur de surcharge
6. Extension de la table
7. Vis de verrouillage de la base
8. Pieds
9. Vis de verrouillage du bouton d'élévation
10. Tige de poussée
11. Jauge de réglage de la lame
12. Clés hexagonales
13. Clé plate
14. Pointeur en plastique
15. Chute de poussière
16. Vis à tête creuse hexagonale
17. Vis de chasse
18. Jauge de réglage de la lame
19. Barre de verrouillage
20. Vis de verrouillage
21. Lames
22. Ressort
23. Vis Allen
24. Écrou de réglage de la hauteur

Votre raboteuse a été conçue en donnant priorité à la sécurité, à la performance et à la fiabilité.

UTILISATION PRÉVUE

La raboteuse est destinée au rabotage du bois.

Ne vous servez pas de ce produit pour d'autres utilisations que celles décrites dans la section des utilisations prévues.

AVERTISSEMENTS GÉNÉRAUX DE SÉCURITÉ

AVERTISSEMENT

Lors de l'utilisation d'appareils électriques, il convient de respecter certaines précautions de sécurité de base afin de réduire les risques d'incendie, de décharge électrique et de blessure. Lisez toutes les instructions avant de tenter d'utiliser l'appareil et conservez ce manuel.

- **Gardez la zone de travail propre.** Les établis et les zones de travail encombrés sont propices aux blessures.
- **Prenez en considération l'environnement de travail.** N'exposez pas les outils à la pluie. N'utilisez pas d'outils en environnement humide ou mouillé.

Gardez la zone de travail bien éclairée. N'utilisez pas d'outils en présence de gaz ou de liquides inflammables.

- **Protégez-vous des décharges électriques.** Évitez que votre corps entre en contact avec des surfaces reliées à la terre (par ex. tuyaux, radiateurs, cuisinières, réfrigérateurs).
- **Éloignez les autres personnes.** Ne laissez pas d'autres personnes, en particulier des enfants, intervenir dans votre travail ou toucher l'outil ou son câble d'alimentation, et éloignez-les de la zone de travail.
- **Rangez les outils inutilisés.** Les outils non utilisés doivent être rangés en un endroit sec, verrouillé et hors de portée des enfants.
- **Ne faites pas forcer l'outil.** Il effectuera un meilleur travail dans de meilleures conditions de sécurité s'il est utilisé dans les limites de ses capacités.
- **Utilisez un outil approprié.** Ne forcez pas sur un petit outil dans le but de lui faire effectuer un travail pour lequel un outil de plus grande puissance serait mieux adapté. N'utilisez pas un outil pour un usage pour lequel il n'a pas été conçu, par exemple, ne tentez pas de couper des branches ou des bûches à l'aide d'une scie circulaire.
- **Habillez-vous de manière adaptée.** Ne portez pas de vêtements ou de bijoux amples, ils pourraient être happés par des pièces en mouvement. Il est recommandé de porter des chaussures antidérapantes lorsque vous travaillez à l'extérieur. Contenez les cheveux longs avec une protection adaptée.
- **Utilisez des équipements de protection.** Portez des lunettes de sécurité. Portez un masque facial ou un masque anti poussière si l'opération produit de la poussière.
- **Connectez un dispositif d'aspiration des poussières.** Si un outil est prévu pour être relié à un dispositif d'aspiration et de collecte des poussières, assurez-vous que ce dispositif est en place et qu'il est utilisé de façon correcte.
- **Ne maltraitez pas le cordon.** Ne tirez jamais sur le câble d'alimentation pour le débrancher du secteur. Tenez le câble d'alimentation éloigné de la chaleur, des graisses et des bords coupants.
- **Sécurisez le travail.** Lorsque cela est possible, bloquez la pièce à travailler dans un étau ou avec des serre-joints. Ceci est plus sûr que d'utiliser votre main.
- **Ne travaillez pas en extension.** Gardez une position et un équilibre adaptés à tout moment.
- **Entretenez soigneusement les outils.** Gardez les outils de coupe propres et bien affûtés pour de meilleures performance et une sécurité accrue.





Français

Suivez les instructions concernant la lubrification et le changement d'accessoires. Vérifiez périodiquement les câbles d'alimentation des outils et faites-les remplacer par un service après-vente agréé en cas de dommage. Vérifiez régulièrement les rallonges électriques et remplacez-les en cas de dommage. Gardez les poignées propres, sèches, et exemptes d'huile et de graisse.

- **Débranchez les outils.** Débranchez les outils du secteur lorsque vous ne les utilisez pas, avant de les entretenir et lorsque vous en changez des accessoires tels que lames, forets et accessoires de coupe.
- **Retirez les clés et outils de réglage.** Prenez l'habitude de vérifier que les clés et outils de réglage ont été retirés de l'outil avant de le mettre en marche.
- **Prévenez les mises en marche accidentelles.** Assurez-vous que l'interrupteur est en position « off » (arrêt) avant de brancher l'outil.
- **Utilisez des rallonges prévues pour un usage extérieur.** Lorsque vous utilisez un outil à l'extérieur, n'utilisez que des rallonges prévues pour être utilisées à cet effet et marquées comme telles.
- **Restez vigilant.** Regardez ce que vous faites et faites preuve de bon sens. N'utilisez pas d'outils lorsque vous êtes sous l'influence de la drogue, de l'alcool ou de médicaments.
- **Vérifiez qu'aucune pièce n'est endommagée.** Avant de continuer à utiliser l'outil, vérifiez-le avec soin pour vous assurer qu'il peut fonctionner correctement et remplir sa fonction initiale. Vérifiez que les pièces en mouvement sont bien alignées et non tordues, qu'aucune pièce n'est cassée ou mal montée, et qu'aucun autre problème n'est susceptible d'affecter le bon fonctionnement de l'appareil. Une protection ou toute autre pièce endommagée doit être correctement remplacée ou réparée par un service après-vente agréé sauf avis contraire dans ce manuel utilisateur. Faites remplacer les interrupteurs défectueux par un service après-vente agréé. **N'utilisez pas l'outil si son interrupteur marche/arrêt est inopérant.**
- **Avertissement.** L'utilisation d'accessoires ou d'additifs autres que ceux recommandés dans ce manuel peut entraîner un risque de blessures.
- **Faites réparer votre outil par du personnel qualifié.** Cet outil électrique est conforme aux règles de sécurité le concernant. Les réparations ne doivent être effectuées que par du personnel qualifié utilisant des pièces de rechange d'origine; dans le cas contraire, l'utilisateur s'exposerait à de graves dangers.

AVERTISSEMENTS DE SÉCURITÉ RELATIVES À LA RABOTEUSE

- Portez toujours des lunettes de sécurité et des protections auditives lors de l'utilisation de l'outil électrique.
- Portez des gants lors de la manipulation du bloc de découpe et le matériau brut afin d'éviter les blessures causées par les bords tranchants.
- Portez un écran facial ou un masque anti-poussière si le travail génère de la poussière.
- Vérifiez que toutes les vis de maintien sont serrées avant de démarrer la machine.
- Arrêtez toujours le moteur et déconnectez-le de la source électrique avant d'effectuer tout réglage.
- Assurez-vous que toutes les protections sont en place avant le fonctionnement.
- Lisez attentivement le manuel de l'utilisateur et familiarisez-vous avec la machine avant utilisation.
- Ne forcez pas la pièce à travailler dans la machine. Laissez le produit d'appliquer le bon taux d'alimentation.
- Vérifiez occasionnellement les rouleaux d'alimentation afin de vous assurer qu'il n'y a pas de sciure ni de copeaux entre les composants. Si les rouleaux d'alimentation ne sont pas bien serrés, ils ne maintiennent pas bien les morceaux de bois et n'évitent pas le recul.
- Vérifiez et assurez-vous que les transporteurs à rouleaux sont sur le même plan que la table de travail lors du rabotage du bois et que les rouleaux peuvent tourner librement lors du rabotage des longues pièces à usiner.
- Utilisez le produit pour raboter uniquement les planches de bois sec.
- Utilisez du bois sain n'ayant aucun nœud lâche et aussi peu de nœuds serrés que possible.
- Ne vous tenez jamais directement à hauteur de l'entrée ou de la sortie. Tenez-vous toujours sur un côté de la machine.
- Assurez-vous que la pièce à usiner est exempte de clous, vis, pierres et autres objets étrangers pouvant endommager les lames.
- Assurez-vous que les lames sont correctement attachées tel que décrit dans les instructions.
- Soyez prudent lors de la manipulation des lames et du groupe de la tête de découpe. Les lames sont affûtées et peuvent facilement couper la main.
- Laissez la tête de découpe atteindre une vitesse maximale avant utilisation.
- Utilisez la tige de poussée plutôt que les mains pour pousser la pièce à usiner lorsque ses extrémités



Français

approchent des lames. Rangez la tige de poussée sur la table de travail lorsque vous ne l'utilisez pas.

- Utilisez des lames bien affûtées et bien entretenues.
- Utilisez uniquement des lames de découpe conçues pour le produit.
- S'assurer que la raboteuse est montée en toute sécurité avant utilisation. Faire très attention à la stabilité lors du rabotage des pièces longues.
- Tenir les mains éloignées de la lame lorsqu'elle est en mouvement.
- Ne pas découper à une profondeur supérieure à 3mm (1/8").
- Porter une protection oculaire conforme aux normes locales de sécurité.
- Ne pas tenter de retirer les pièces coincées avant l'arrêt complet de la lame et avant de couper l'alimentation électrique.

▲ AVERTISSEMENT

N'effectuez jamais les opérations suivantes :

- Travail interrompu (par ex. une découpe n'impliquant pas la longueur totale de la pièce à usiner)
- Raboter des niches, des tenons ou des moulures
- Raboter le bois très arqué avec un contact inadéquat avec la table d'alimentation

GRIFFES ANTIRECUL

Voir figure 2.

- Une griffe antirecul est un appareil qui, s'il est correctement installé et entretenu, est conçu pour empêcher la pièce à usiner d'être propulsée vers l'avant de la lame pendant le service.

ÉVITER LE RECUL

- Utilisez toujours le bon réglage de profondeur de la lame.
Inspectez le travail du point de vue des nœuds ou des clous avant de commencer la découpe. Éliminez tout nœud lâche avec un marteau. Ne coupez jamais dans un nœud lâche ou un clou.
- Utilisez toujours des lames propres, affûtées et bien réglées.
- N'utilisez jamais le produit avec des lames émoussées.
- Pour éviter le pincement de la lame, soutenez correctement la pièce à usiner avant de commencer l'opération.
- Lors du rabotage, utiliser une pression ferme, régulière. Ne forcez jamais le produit.

- Ne rabotez pas du bois humide ou déformé.
- Maintenez toujours fermement la pièce à usiner des deux mains, gardez votre corps dans une position équilibrée pour être prêt à résister au recul. Ne vous tenez jamais directement au même niveau que le bois.

RISQUES RÉSIDUELS

Même lorsque le produit est utilisé selon les prescriptions, il reste impossible d'éliminer totalement certains facteurs de risque résiduels. L'opérateur doit toujours prêter particulièrement attention à ces points afin de réduire les risques de blessures graves.

- Atteinte à l'audition – Portez une protection auditive adaptée et limitez le temps d'exposition.
- Blessure oculaire – Portez des lunettes ou un masque de protection lorsque vous utilisez le produit.
- Atteinte au système respiratoire due aux poussières générées par l'utilisation du produit – Portez une protection adaptée au type de poussière.

RACCORDEMENT ÉLECTRIQUE

Cet appareil est équipé d'un moteur électrique de précision. Il doit être connecté à une alimentation 220~240 V CA uniquement (alimentation secteur classique), 50 Hz. N'alimentez pas cet appareil en courant continu (CC). Une chute de tension substantielle provoquerait une perte de puissance et une surchauffe du moteur. Si l'appareil ne fonctionne pas une fois branché sur le secteur, vérifiez à nouveau l'alimentation électrique.

VITESSE ET CÂBLAGE

La vitesse à vide de cet outil est d'environ 9 000 tr/min. Cette vitesse n'est pas constante et diminue en charge ou en cas de baisse de tension. L'influence du câblage dans l'atelier a autant d'importance que la puissance du moteur. Une ligne électrique prévue uniquement pour l'éclairage ne peut pas alimenter correctement un outil électrique. Un fil d'une section suffisante pour une courte longueur peut se révéler insuffisant pour une plus grande longueur. Une ligne électrique capable d'alimenter un outil électrique peut s'avérer incapable d'en alimenter deux ou trois.

Si le câble d'alimentation est endommagé, il ne doit être remplacé que par le fabricant ou par un service après-vente agréé, pour éviter tout danger.

Ne branchez l'appareil qu'à une prise ayant la même configuration que la fiche secteur. N'utilisez pas d'adaptateur avec cet appareil.

Pour plus de sécurité et de fiabilité, toutes les réparations doivent être effectuées par un service après-vente agréé RYOBI.



Français

Une protection par disjoncteur différentiel doit être présente sur le/les circuit(s) ou la/les sortie(s) à utiliser pour le produit. Des prises secteur équipées d'un disjoncteur différentiel que vous pouvez sont disponibles pour une plus grande sécurité.

Si le produit est utilisé avec une rallonge, s'assurer que le cordon d'alimentation de l'outil et la rallonge ne sont pas à terre. Les appareils auxiliaires doivent toujours être branchés dans la prise murale et non sur une prise multiple branchée au bout de la rallonge qui alimente la raboteuse.

Si une prise protégée n'est pas disponible, ne pas utiliser le produit avant d'avoir pu changer la prise ou d'obtenir une protection auxiliaire. Ces dispositifs auxiliaires de protection sont disponibles auprès de votre revendeur local.

LISTE DES DIFFÉRENTES PIÈCES

Élément	Description	Qté
2	Manivelle d'ajustement de la hauteur de coupe	1
7	Vis de verrouillage de la base	4
8	Pieds	4
9	Vis de verrouillage du bouton d'élévation	1
10	Tige de poussée	1
11	Jauge de réglage de la lame	1
12	Clés hexagonales	2
13	Clé plate	1

MONTAGE

DÉPLACER LA RABOTEUSE

Voir figure 3.

- Le produit peut être porté au moyen des poignées situées des deux côtés du cadre. Assurez-vous que les rallonges de la table sont fermées avant de déplacer le produit.

PIEDS D'INSTALLATION

- Attachez les pieds aux coins du socle du produit.

MONTER LA RABOTEUSE SUR UNE BASE EN BOIS

Voir figures 5-6.

- Lorsque la raboteuse n'est pas montée sur un étau, il est recommandé de la monter sur deux morceaux de

bois. Cela garantira une stabilité maximale.

- Choisissez deux pièces de bois en fonction des tailles indiquées sur l'illustration. Montez le produit sur la surface en bois.
- Utilisez les quatre vis de verrouillage de la base (fournies) pour monter la base de la raboteuse sur le bois.

SUPPORT DE BOIS

Voir figure 7.

- Le support de bois en haut de la raboteuse fournit une manipulation pratique du bois pour les opérations ultérieures de découpe. Le bois placé en haut de la machine peut être facilement tiré par l'opérateur pour le rabotage.

UTILISATION

INTERRUPTEUR MARCHE/ARRÊT

Voir figure 8.

- Pour allumer le produit, appuyez sur le bouton I. Pour l'éteindre, appuyez sur le bouton O.

⚠ AVERTISSEMENT

Assurez-vous toujours que l'interrupteur est sur ARRÊT avant de brancher la raboteuse à la source de courant.

INTERRUPTEUR DE SURCHARGE DU CIRCUIT

Voir figure 8.

- La machine est équipée d'un interrupteur de surcharge pour assurer une protection contre la surcharge. Si une surcharge survient, l'interrupteur se déclenche. Lorsque cela se produit, attendez quelques minutes et appuyez sur l'interrupteur pour réinitialiser la machine.

RÉGLAGE DE LA PROFONDEUR DE COUPE

Voir figure 9.

⚠ AVERTISSEMENT

Ne rabotez jamais plus de 3 mm en une fois et n'essayez jamais de raboter une planche d'une longueur inférieure à 127 mm. Portez toujours un écran de protection facial.

- Pour ajuster la profondeur de découpe, tournez la manivelle de réglage de la hauteur de la tête de découpe dans les directions indiquées en haut de la raboteuse. La profondeur de réglage de découpe peut être lue sur la profondeur de découpe graduée.





Français

La graduation de réglage est de 1,6 mm par tour de manivelle.

- Démarrez toujours le travail en effectuant une légère découpe de rabotage. La profondeur de découpe ultérieure peut être augmentée jusqu'à 3 mm mais n'oubliez pas qu'une découpe légère crée une finition plus raffinée qu'une découpe plus forte.
- L'épaisseur du bois passant dans la raboteuse est contrôlée par la distance de réglage de la lame de découpe à partir de la table.
 - Ne rabotez pas du bois ayant une épaisseur inférieure à 7 mm.
 - Ne rabotez pas du bois ayant une épaisseur inférieure à 153 mm.

AJUSTER LA PROFONDEUR DE LA DÉCOUPE GRADUÉE.

Voir figure 9.

Pour utiliser la raboteuse en toute sécurité, il est très important que la profondeur de découpe graduée soit précise. Afin de régler la profondeur de découpe graduée, suivez les étapes ci-dessous :

- Mettez une planche en place pour le rabotage. Comparez l'épaisseur mesurée de la planche à la profondeur lue sur la découpe graduée.
- Si la profondeur lue sur la découpe graduée est incorrecte, dévissez la vis qui serre le pointeur en plastique et réglez-le correctement.
- Lorsque vous avez correctement réglé la profondeur de découpe graduée, testez la lecture en rabotant un morceau de bois. Après le rabotage, mesurez l'épaisseur rabotée et contrôlez deux fois en lisant la graduation. Les deux mesures doivent être égales. Réajustez la profondeur de la découpe graduée afin de lire l'épaisseur rabotée si nécessaire.

RETIRER LES LAMES DE LA RABOTEUSE

Voir figures 10-12.

Pour retirer les lames, suivez les étapes ci-dessous :

▲ AVERTISSEMENT

Débranchez le produit de la source de courant avant de retirer les lames.

- Retirez la chute de poussière en retirant les quatre vis à tête creuse hexagonale.
- Dévissez la barre de verrouillage et la lame en tournant les vis de chasse dans le sens horaire. Les lames sont serrées par des ressorts et sautent lorsque le groupe est desserré.
- Retirez la lame puis la barre de verrouillage de la lame.

INSTALLER/REPLACER LES LAMES DE LA RABOTEUSE

Voir figure 12.

Pour installer les lames, suivez les étapes ci-dessous :

- Retirez les lames en respectant les instructions « RETIRER LES LAMES DE LA RABOTEUSE ».
- Nettoyez tous les débris de la tête de découpe de la raboteuse.
- Serrez la barre de verrouillage de la lame dans la fente sur la tête de découpe.
- Fixez la lame dans la fente sur la tête de découpe et serrez le groupe de barre de verrouillage en tournant les vis de chasse dans le sens antihoraire. Assurez-vous que la lame est fait face à la bonne direction et est centrée dans la fente.
- Réglez la hauteur de la lame conformément aux instructions contenues dans le chapitre « RÉGLER LA HAUTEUR DE LA LAME ». La hauteur des lames doit être réglée à nouveau à chaque fois que les lames sont retirées pour quelque raison que ce soit.
- Remettez en place la chute de poussière une fois que les lames sont installées.

RÉGLER LA HAUTEUR DE LA LAME

Voir figures 13-14.

- Afin d'obtenir une projection de lame de 1,1 m, placez la jauge de réglage de la lame sur la tête de découpe avec les deux guides placés fermement contre la lame.
- Desserrez le groupe en tournant les sept vis de chasse dans le sens horaire avec une clé plate.
- Lorsque la lame est pressée à la hauteur requise par les guides sur la jauge, resserrez le groupe en tournant les vis de chasse dans le sens horaire. Assurez-vous que les sept vis de chasse sont bien serrées.

▲ AVERTISSEMENT

Le coin de la lame s'ébrèche facilement. Soyez prudent lors de la manipulation de la jauge près des lames pour éviter de les endommager.

▲ AVERTISSEMENT

Le groupe doit être serré en toute sécurité pour éviter les accidents pendant le rabotage.

CONNECTER UN SYSTÈME DE COLLECTE DE POUSSIÈRE

Voir figure 19.





Français

La poussière générée par l'utilisation de cet outil peut être préjudiciable à votre santé. Utilisez un système d'absorption de la poussière et éliminez soigneusement les dépôts de poussière, par ex. avec un aspirateur.

Pour connecter un système de collecte de poussière

- Débranchez l'outil.
- Raccordez l'embout du système de collecte des poussières à la c hute de poussière.

Nettoyez le tuyau du système de collecte de poussière fréquemment pour éviter l'accumulation de poussière.

RÉGLAGE

RENDRE LA TÊTE DE DÉCOUPE ET LA TABLE DE TRAVAIL PARALLÈLES

Voir figures 15-18.

Rabotez une pièce à usiner et mesure l'épaisseur après la découpe. Si l'épaisseur est différente des deux côtés de la pièce de travail, effectuez ce qui suit :

Ajustez le corps de découpe et la table de travail pour qu'ils soient parallèles. Les outils utilisés pour la vérification sont indiqués dans la figure 15. Utilisez du bois dur pour effectuer un bloc de jauge conformément à la taille indiquée sur l'illustration. Faites les réglages conformément aux des procédures suivantes.

- Retirez la manivelle de réglage de la hauteur et les caches supérieur et latéral en retirant les vis Allen pour exposer les écrous de verrouillage de réglage de la hauteur.
- Desserrez les écrous de verrouillage de réglage.
- Ajustez les écrous de verrouillage de réglage de la hauteur en haut ou en bas tel que requis pour s'adapter au bloc de jauge.
- Lorsque le paramètre de hauteur désiré est atteint, serrez les écrous de verrouillage en position.
- Assemblez à nouveau les caches latéral et supérieur et remettez en place la manivelle de réglage de la hauteur.

REMARQUE: Retirez le bloc de jauge avant de démarrer la machine.

Le rabotage de l'épaisseur est la taille du matériau à l'épaisseur désirée tout en créant une surface lisse parallèle au côté opposé de la planche.

Le type de rabotage de l'épaisseur consiste principalement à employer un bon jugement quant à la profondeur de découpe dans diverses situations. Il faut prendre en compte :

1. la largeur du bois
2. la dureté du bois
3. l'humidité du bois

4. la linéarité de la planche
5. la direction du grain
6. la structure du grain

Seule l'expérience acquise permet de savoir comment ces facteurs peuvent affecter la qualité du travail. Lors du travail avec un nouveau type de bois ou avec un type de bois avec des problèmes inhabituels, effectuez toujours des découpes de test sur un morceau avant de travailler sur la pièce réelle.

POUR LE RABOTAGE SUPPLÉMENTAIRE

Si un rabotage supplémentaire est nécessaire pour obtenir l'épaisseur désirée finale, ne tournez pas la tête de découpe de plus de 3 mm (à tout moment) et effectuez un autre passage.

⚠ AVERTISSEMENT

Ne rabotez jamais planifier plus de 3 mm en une seule fois et n'essayez jamais de raboter une planche d'une longueur inférieure 127 mm. Portez toujours un écran de protection facial.

ENTRETIEN

⚠ AVERTISSEMENT

Assurez-vous toujours que la prise a été débranchée du secteur avant d'effectuer des réglages, de procéder à une lubrification ou d'effectuer toute opération d'entretien sur le produit.

RÉAFFÛTER LA LAME

S'il est nécessaire de réaffûter la lame, il est uniquement autorisé de réaffûter la zone calée.

LUBRIFICATION

- Le lubrifiant recommandé pour les chaînes à rouleaux utilisées pour les opérations moyennes à faibles consiste tout simplement à essuyer la chaîne. Lorsqu'il y a un excès de poussière ou de copeaux de bois etc., recouvrez la chaîne d'un léger film d'huile mais ne versez jamais de l'huile directement sur la chaîne. Un huilage trop important a tendance à accélérer l'accumulation de poussière et de copeaux et à les entraîner dans les parties de la chaîne, ce qui entraîne une usure supérieure et un remplacement prématuré. Cela s'applique aux chaînes de réduction de vitesse et de réglage de la hauteur ainsi qu'aux vis d'élévation.
- Les paliers sur la tête de découpe sont lubrifiés et scellés en usine. Ils ne nécessitent aucun entretien.



Français

MAINTENANCE PÉRIODIQUE

- L'accumulation de sciure et d'autres débris peut entraîner le rabotage imprécis de votre machine. Un nettoyage périodique est obligatoire pour un rabotage de précision et est hautement recommandé.
- Les pièces proches, comme les barres de verrouillage et les écrous de la tête de découpe de la raboteuse doivent être nettoyées avec une brosse; éliminez les particules étrangères agglutinées. Ensuite, remettez en place toutes les pièces dans leur position respective, légèrement enduites d'huile.
- Éliminez la résine et les autres accumulations des rouleaux d'alimentation et de la table avec un solvant non inflammable.

TRANSPORT ET STOCKAGE

Lors du transport du produit, débranchez le câble d'alimentation et démontez le produit. Portez le produit en utilisant les poignées situées des deux côtés du cadre. Rangez le produit dans un endroit sûr, hors de portée des enfants.

Nettoyez le produit à l'aide d'un pinceau ou d'un aspirateur avant de le ranger.

PROTECTION DE L'ENVIRONNEMENT



Recyclez les matières premières au lieu de les jeter avec les ordures ménagères. Pour protéger l'environnement, l'outil, les accessoires et les emballages doivent être triés.

SYMBOLE



Alerte de sécurité



Conformité CE



Veuillez lire attentivement les instructions avant de mettre l'appareil en marche.



Équipement à isolation de classe II, double isolation



Portez une protection auditive



Toujours porter une protection pour les yeux.



Sens de rotation de la lame



Profondeur maximale de rabotage par passage



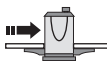
Longueur minimale de rabotage



Largeur maximale de rabotage



Hauteur de rabotage



Vitesse d'alimentation



Longueur de la lame



Abaisser la lame



Lever la lame



Les produits électriques hors d'usage ne doivent pas être jetés avec les ordures ménagères. Recyclez-les par l'intermédiaire des structures disponibles. Contactez les autorités locales ou votre distributeur pour vous renseigner sur les conditions de recyclage.



Français

GUIDE DE DÉPANNAGE

Problème	Cause possible	Solution
Le grain est flou.	<ol style="list-style-type: none"> 1. Le bois à raboter a une forte teneur en humidité. 2. Les lames sont émoussées. 	<ol style="list-style-type: none"> 1. Sécher le bois. 2. Affûter les lames.
Le grain est usé.	<ol style="list-style-type: none"> 1. La découpe est trop forte. 2. Les lames découpent contre le grain. 3. Les lames sont émoussées. 	<ol style="list-style-type: none"> 1. Revoir la bonne profondeur de découpe. 2. Alimenter la pièce à usiner avec le grain ou retourner la pièce à usiner. 3. Affûter les lames.
Le grain est rugueux/surélevé.	<ol style="list-style-type: none"> 1. Les lames sont émoussées. 2. La découpe est trop forte. 3. La teneur en humidité est trop élevée. 4. Les paliers de la tête de découpe sont endommagés. 	<ol style="list-style-type: none"> 1. Affûter les lames. 2. Revoir la bonne profondeur de découpe. 3. Sécher le bois. 4. Remplacer les paliers.
Profondeur inégale de découpe entre les côtés.	<ol style="list-style-type: none"> 1. La projection de la lame n'est pas uniforme. 2. La tête de découpe n'est pas au niveau du socle de la raboteuse. 	<ol style="list-style-type: none"> 1. Ajuster la projection de la lame. 2. Mettre la tête de découpe au niveau de la table.
L'épaisseur de la planche ne correspond pas à la profondeur de découpe graduée.	<ol style="list-style-type: none"> 1. La profondeur de la découpe graduée est incorrecte. 	<ol style="list-style-type: none"> 1. Ajuster la profondeur de la découpe graduée.
La chaîne saute.	<ol style="list-style-type: none"> 1. Les pignons ne sont pas alignés. 2. Les pignons sont usés. 	<ol style="list-style-type: none"> 1. Aligner les pignons. 2. Remplacer les pignons.
L'outil ne démarre pas / ne redémarre pas.	<ol style="list-style-type: none"> 1. L'outil n'est pas branché. 2. Panne du moteur. 3. Le câble est lâche. 4. La réinitialisation de surcharge n'a pas fonctionné. 5. Panne du moteur du démarreur. 	<ol style="list-style-type: none"> 1. Vérifier l'alimentation électrique. 2. Vérifier le moteur. 3. Faire vérifier le moteur par un agent agréé du service après-vente. 4. Laisser la machine refroidir et redémarrer. 5. Faire vérifier le moteur par un agent agréé du service après-vente.
Déclenchement répété du circuit entraînant l'arrêt du moteur.	<ol style="list-style-type: none"> 1. La rallonge est trop longue ou trop fine. 2. Les lames sont trop émoussées. 3. Basse tension présente. 	<ol style="list-style-type: none"> 1. Utiliser une rallonge plus courte ou plus épaisse. 2. Affûter ou remplacer les lames. 3. Vérifier la tension.
Mauvaise alimentation du bois.	<ol style="list-style-type: none"> 1. La table de la raboteuse est sale. 2. Le rouleau d'alimentation est endommagé. 3. Le pignon est endommagé. 4. Dysfonctionnement de la boîte de vitesse. 	<ol style="list-style-type: none"> 1. Nettoyer le terrain et les résidus et lubrifier la table de la raboteuse. 2. Remplacer le rouleau d'alimentation. 3. Remplacer le pignon. 4. Vérifier la boîte de vitesse.
La pièce à usiner est colmatée.	<ol style="list-style-type: none"> 1. Mauvais réglage de la hauteur de la lame. 	<ol style="list-style-type: none"> 1. Régler la lame à la bonne hauteur.





Deutsch

BESCHREIBUNG

1. Oberer Schutz
 2. Kurbel zum Einstellen der Höhe des Schneidekopfs
 3. Schnitttiefenskala
 4. Netzschalter
 5. Selbstausschalter
 6. Tischerweiterung
 7. Schrauben zur Befestigung des Sockels
 8. FüÙe
 9. Sperrschraube für den Erhöhungshebel
 10. Einschubstab
 11. Lehre für das Einsetzen der Klinge
 12. Sechskantschlüssel
 13. Maulschlüssel
 14. Kunststoffzeiger
 15. Staubrinne
 16. Sechskantschrauben
 17. Druckschrauben
 18. Lehre für das Einsetzen der Klinge
 19. Verriegelungsstange
 20. Sicherungsschrauben
 21. Klinge
 22. Feder
 23. Inbusschrauben
 24. Mutter zur Höheneinstellung
- Sicherheit, Leistung und Zuverlässigkeit hatten oberste Priorität bei der Entwicklung Ihres Dickenhobels.

BESTIMMUNGSGEMÄÙE VERWENDUNG

Der Hobel wurde zum Hobeln von Holz entwickelt. Benutzen Sie dieses Produkt nicht auf andere Aufgaben als die genannten bestimmungsgemäÙen Verwendungen.

ALLGEMEINE SICHERHEITSWARNUNGEN

WARNUNG

Bei der Verwendung elektrischer Werkzeuge sollten immer einige grundlegende Sicherheitsvorkehrungen getroffen werden, um die Gefahr von Feuer, Stromschlag und Verletzungen zu verringern. Lesen Sie vor der Benutzung des Produkts die Anleitung vollständig durch und bewahren Sie die Anleitung auf.

- **Halten Sie den Arbeitsbereich frei.** Unordentliche Bereiche und Werkbänke können zu Unfällen führen.
- **Beachten Sie die Arbeitsumgebung.** Setzen Sie Werkzeuge nicht dem Regen aus. Verwenden Sie Werkzeuge nicht an feuchten oder nassen Orten. Beleuchten Sie den Arbeitsbereich gut. Benutzen Sie Werkzeuge nicht in der Nähe von brennbaren

Flüssigkeiten oder Gasen.

- **Schutz vor Stromschlag.** Vermeiden Sie Körperkontakt mit geerdeten Oberflächen (z.B. Rohre, Heizkörper, Herde, Kühlschränke).
- **Halten Sie andere Personen fern.** Lassen Sie keine anderen Personen, insbesondere Kinder, sich an der Arbeit beteiligen, das Werkzeug oder Verlängerungskabel berühren, und halten Sie sie von dem Arbeitsbereich fern.
- **Aufbewahrung unbenutzter Werkzeuge.** Das Werkzeug sollte an einem trockenen und verschlossenen Ort außerhalb der Reichweite von Kindern aufbewahrt werden, wenn es nicht benutzt wird.
- **Betätigen Sie das Werkzeug nicht mit Gewalt.** Es wird die Arbeit mit der Geschwindigkeit, für die es ausgelegt wurde, besser und sicherer erledigen.
- **Benutzen Sie das richtige Werkzeug.** Verwenden Sie keine kleinen Werkzeuge mit Gewalt um Arbeiten auszuführen, für die ein leistungsstärkeres Werkzeug besser geeignet wäre. Verwenden Sie Werkzeuge nicht für Zwecke, für die sie nicht vorgesehen sind, zum Beispiel, benutzen Sie Kreissägen nicht um Äste oder Baumstämme zu sägen.
- **Tragen Sie geeignete Kleidung.** Tragen Sie keine lockere Kleidung oder Schmutz; diese könnten sich in beweglichen Teilen verfangen. Rutschfestes Schuhwerk wird für die Arbeit im Freien empfohlen. Tragen Sie eine schützende Haarbedeckung zum Zurückhalten langer Haare.
- **Benutzen Sie Schutzausrüstung.** Benutzen Sie eine Schutzbrille. Benutzen Sie eine Sicherheits- oder Staubmaske, wenn die Arbeitsbedingungen Staub erzeugen.
- **Schließen Sie ein Gerät zur Staubabsaugung an.** Wenn das Werkzeug über einen Anschluss zu Geräten zur Staubabsaugung und -sammlung verfügt, stellen Sie sicher, dass diese Geräte angeschlossen sind und ordentlich eingesetzt werden.
- **Das Stromkabel nicht überstrapazieren.** Ziehen Sie niemals am Kabel und den Stecker aus der Steckdose zu ziehen. Halten Sie das Kabel fern von Hitze, Öl, und scharfen Kanten.
- **Sichern Sie das Werkstück.** Benutzen Sie wenn möglich Klemmen oder einen Schraubstock um das Werkstück zu halten. Es ist sicherer, als Ihre Hand zu benutzen.
- **Vermeiden Sie eine abnormale Körperhaltung.** Sorgen Sie für einen sicheren Stand und halten Sie jederzeit das Gleichgewicht.
- **Pflegen Sie Werkzeuge.** Halten Sie Schneidwerkzeuge für eine bessere und sicherere Leistung scharf und





Deutsch

sauber. Befolgen Sie die Anweisungen zum Ölen und dem Austausch von Zubehörteilen. Überprüfen Sie das Werkzeug regelmäßig und lassen es von einem autorisierten Kundendienst reparieren. Überprüfen Sie Verlängerungskabel regelmäßig und tauschen Sie sie bei Beschädigung aus. Halten Sie die Griffe trocken, sauber und frei von Öl und Schmierstoffen.

- **Trennen Sie die Werkzeuge von der Stromquelle.** Trennen Sie Werkzeuge vom Stromnetz, wenn sie nicht benutzt werden und Zubehörteile wie Klingen, Bits und Messer gewechselt werden.
- **Entfernen Sie Einstellhilfen und Schraubenschlüssel.** Machen Sie es sich zur Gewohnheit, vor Einschalten des Geräts zu prüfen, ob alle Einstellhilfen und Schraubenschlüssel etc. von dem Werkzeug entfernt wurden.
- **Vermeiden Sie unabsichtliches Starten.** Stellen Sie vor dem Einstecken des Steckers, das der Schalter in der "Aus" Position ist.
- **Benutzen Sie Verlängerungskabel, die zur Benutzung im Freien geeignet sind.** Verwenden Sie bei der Arbeit mit diesem Werkzeug im Freien nur Verlängerungskabel, die auch zum Gebrauch im Freien geeignet und entsprechend gekennzeichnet sind.
- **Bleiben Sie wachsam.** Achten Sie auf das, was sie tun, setzen Sie Ihren gesunden Menschenverstand ein und bedienen das Werkzeug nicht, wenn Sie müde sind.
- **Überprüfen Sie beschädigte Teile.** Vor der weiteren Benutzung des Werkzeugs sollte es sorgfältig über prüft werden, um festzustellen, dass es ordnungsgemäß funktioniert und die vorgesehene Funktion erfüllt. Überprüfen Sie die Ausrichtung beweglicher Teile, ob bewegliche Teile klemmen, Beschädigungen von Teilen, Befestigungen und andere Umstände, die sich auf den Betrieb auswirken könnten. Eine Schutzvorrichtung oder ein anderes Teil, das beschädigt ist, muss, sofern in dieser Gebrauchsanweisung nichts anderes angegeben ist, durch den autorisierten Kundendienst ordnungsgemäß repariert oder ausgetauscht werden. Lassen Sie defekte Schalter durch einen autorisierten Kundendienst austauschen. Verwenden Sie das Produkt nicht, falls es sich durch den Schalter nicht ein- und ausschalten lässt.
- **Warnung.** Die Verwendung von anderen als den in diesen Anweisungen empfohlenen Zubehörteilen kann eine Gefahr von Körperverletzungen bedeuten.
- **Lassen Sie Ihr Werkzeug von einer qualifizierten Person reparieren.** Dieses Elektrowerkzeug erfüllt die entsprechenden Sicherheitsregeln. Reparaturen sollten nur von qualifizierten Personen mit Originalersatzteilen durchgeführt werden, sonst

können beträchtliche Gefahren für den Benutzer entstehen.

SICHERHEITSHINWEISE FÜR DEN HOBEL

- Tragen Sie beim Bedienen des Elektrowerkzeugs immer eine Schutzbrille und einen Gehörschutz.
- Tragen Sie beim Umgang mit dem Schneideblock und rohem Material Handschuhe, um Verletzungen durch scharfe Kanten zu verhindern.
- Tragen Sie einen Gesichtsschutz oder eine Staubschutzmaske, wenn beim Arbeiten Staub entsteht.
- Prüfen Sie vor dem Starten des Geräts, dass alle Schrauben fest angezogen sind.
- Halten Sie immer den Motor an und unterbrechen Sie die Stromzufuhr, bevor Sie Veränderungen an den Einstellungen vornehmen.
- Stellen Sie vor der Inbetriebnahme sicher, dass sich alle Schutzvorrichtungen an ihrem Platz befinden.
- Lesen Sie die Bedienungsanleitung gründlich und machen Sie sich vor der Inbetriebnahme mit dem Gerät vertraut.
- Zwingen Sie das Werkstück nicht durch das Gerät. Lassen Sie das Gerät immer die angemessene Zufuhrgeschwindigkeit nutzen.
- Prüfen Sie die Zuführwalzen gelegentlich, um sicherzustellen, dass sich zwischen den Teilen weder Sägespäne noch Splitter befinden. Wenn die Walzen nicht fest eingesetzt sind, halten die Zuführwalzen das Holz nicht fest auf der Ladefläche, sodass ein Rückstoß möglich wird.
- Prüfen Sie und stellen Sie sicher, dass sich die Rollenbahnen auf der gleichen Ebene wie der Arbeitstisch befinden, wenn Sie Holz hobeln, und dass die Walzen beim Hobeln langer Werkstücke frei rotieren können.
- Nutzen Sie das Gerät ausschließlich zum Hobeln von trockenen Holzbrettern.
- Nutzen Sie intaktes Holz, ohne Durchfalläste und mit möglichst wenig Astknoten.
- Stellen Sie sich niemals direkt vor die Zuführungs- oder die Auslaufseite. Stellen Sie sich immer seitlich zum Gerät.
- Stellen Sie sicher, dass das Werkstück keine Nägel, Schrauben, Steine und andere Fremdkörper enthält, die die Klingen beschädigen können.
- Stellen Sie sicher, dass die Klingen korrekt wie in der Anleitung beschrieben befestigt sind.
- Seien Sie vorsichtig beim Handhaben der Klingen und des Schneidekopfs. Die Klingen sind scharf und man





Deutsch

kann sich daran leicht schneiden.

- Lassen Sie den Schneidekopf die volle Geschwindigkeit erreichen, bevor Sie ihn nutzen.
- Schieben Sie das Werkstück nicht mit den Händen, sondern mit dem Einschubstab vorwärts, wenn sich das Ende des Werkstücks den Klingen nähert. Der Einschubstab sollte bei Nichtbenutzung auf dem Arbeitstisch aufbewahrt werden.
- Nutzen Sie gut geschärfte und gepflegte Klingen.
- Nutzen Sie ausschließlich für das Gerät entwickelte Klingen.
- Stellen Sie vor der Nutzung sicher, dass der Hobel sicher montiert ist. Achten Sie besonders beim Hobeln von langen Werkstücken auf Stabilität.
- Halten Sie die Hände von der Klinge fern, wenn sie sich bewegt.
- Führen Sie keine Schnitte mit einer Tiefe von mehr als 3 mm (1/8") durch.
- Tragen Sie einen Augenschutz, der den Sicherheitsstandards vor Ort entspricht.
- Stücke, die sich verklemmen, dürfen erst entfernt werden, wenn das Sägeband vollständig zum Stillstand gekommen und das Gerät auf OFF geschaltet ist.
- Stellen Sie vor der Nutzung sicher, dass der Hobel sicher montiert ist. Achten Sie besonders beim Hobeln von langen Werkstücken auf Stabilität.
- Halten Sie die Hände von der Klinge fern, wenn sie sich bewegt.
- Führen Sie keine Schnitte mit einer Tiefe von mehr als 3 mm (1/8") durch.
- Tragen Sie einen Augenschutz, der den Sicherheitsstandards vor Ort entspricht.
- Stücke, die sich verklemmen, dürfen erst entfernt werden, wenn das Sägeband vollständig zum Stillstand gekommen und das Gerät auf OFF geschaltet ist.

⚠ WARNUNG

Führen Sie niemals die folgenden Aktionen durch:

- Angehaltene Arbeit (d. h. Schnitte, die nicht die gesamte Länge des Werkstücks abdecken)
- Hobeln von Vertiefungen, Zapfen oder Mulden
- Hobeln von schlecht gebogenem Holz mit nicht ausreichendem Kontakt zum Zuführungstisch

ANTI-RÜCKSTOSS-SPERREN

Siehe Abbildung 2.

- Eine Anti-Rückstoß-Sperre ist ein Gerät, das bei richtiger Installation und Wartung verhindert, dass

das Werkstück während des Betriebs zurück zur Vorderseite der Klinge gestoßen wird.

VERHINDERN VON RÜCKSTÖßEN

- Nutzen Sie immer die korrekte Tiefeneinstellung für die Klingen.
- Prüfen Sie das Werkstück vor der Bearbeitung auf Knoten und Nägel. Schlagen Sie Durchfalläste mit einem Hammer hinaus. Schneiden Sie niemals in einen Durchfallast oder einen Nagel.
- Nutzen Sie immer saubere, scharfe und korrekt eingesetzte Klingen.
- Nutzen Sie das Gerät niemals mit stumpfen Klingen.
- Um ein Einklemmen der Klinge zu vermeiden, legen Sie das Werkstück korrekt auf, bevor Sie das Gerät starten.
- Nutzen Sie beim Hobel gleichmäßigen ausgeglichenen Druck. Zwingen Sie das Gerät nicht.
- Hobeln Sie weder nasses noch krummes Holz.
- Halten Sie das Werkstück immer fest mit beiden Händen und halten Sie Ihren Körper in einer ausbalancierten Haltung, um dem Rückstoß standzuhalten. Stellen Sie sich niemals direkt hinter das Holz.

RESTRISIKEN

Sogar wenn das Produkt wie vorgeschrieben benutzt wird, ist es unmöglich ein gewisses Restrisiko vollständig auszuschließen. Der Benutzer sollte besonders und zusätzlich auf diese Punkte achten, um die Gefahr schwerer Verletzungen zu verringern.

- Lärm kann zu Gehörschäden führen. – Tragen Sie einen Gehörschutz und schränken Sie die Belastung ein.
- Verletzung der Augen – Tragen Sie einen Augenschutz oder eine Schutzbrille, wenn Sie das Produkt benutzen.
- Verletzung der Atemwege durch Staub, der bei der Benutzung des Produktes entsteht. – Tragen Sie eine geeignete Schutzausrüstung, je nach Art des Staubs.

ELEKTRISCHE VERBINDUNG

Dieses Produkt wird durch einen präzise konstruierten Elektromotor betrieben. Es sollte an eine Stromversorgung mit 220~240 V Wechselstrom (normaler Haushaltsstrom) mit 50 Hz angeschlossen werden. Betreiben Sie dieses Produkt nicht mit Gleichstrom (DC). Ein größerer Spannungsabfall verursacht Leistungsverlust und der Motor überhitzt sich. Falls das Produkt nicht läuft nachdem es an eine Steckdose angeschlossen wurde, überprüfen





Deutsch

Sie die Stromversorgung.

GESCHWINDIGKEIT UND LEITUNGSFÜHRUNG

Die Leerlaufgeschwindigkeit dieses Werkzeugs beträgt ungefähr 9000 U/min. Diese Geschwindigkeit ist nicht konstant und vermindert sich unter Belastung oder einer geringeren Stromspannung. Für die Stromspannung ist die Verdrahtung in einer Werkstatt ebenso wichtig, wie die angegebene Motorleistung. Ein Stromnetz, das nur für Beleuchtung ausgelegt ist, kann den Motor eines Elektrowerkzeugs nicht ausreichend versorgen. Ein Kabel, das für eine kurze Distanz ausreicht, ist möglicherweise für eine größere Distanz nicht geeignet. Ein Anschluss, der dazu geeignet ist, ein Elektrowerkzeug zu unterstützen, ist möglicherweise nicht dazu geeignet, zwei oder drei Werkzeuge zu unterstützen.

Falls das Stromkabel beschädigt sein sollte, darf es, um jegliche Risiken zu vermeiden, ausschließlich durch den Hersteller oder ein autorisiertes Kundendienstzentrum ausgetauscht werden.

Schließen Sie das Produkt nur an einen Stromkreis an, der über dieselbe Konfiguration verfügt, wie der Stecker. Verwenden Sie dieses Produkt nicht mit einem Adapter.

Für eine höhere Sicherheit und Zuverlässigkeit müssen alle Reparaturen von einem autorisierten RYOBI-Kundendienst durchgeführt werden.

An den für das Gerät genutzten Stromkreisen oder Steckdosen sollte eine Fehlerstromschutzeinrichtung angebracht sein. Es gibt Steckdosen mit eingebauter Fehlerstromschutzschaltung, die für diese Sicherheitsmaßnahme verwendet werden können.

Wenn das Gerät mit einem Verlängerungskabel verwendet wird, stellen Sie sicher, dass sich das Kabel des Geräts und das Verlängerungskabel nicht auf dem Boden befinden. Zusatzgeräte sollten immer an eine Wandsteckdose angeschlossen werden und nicht an einen Anschluss an dem Verlängerungskabel an dem auch das Werkzeug angeschlossen ist.

Wenn keine geschützte Steckdose verfügbar ist, verwenden Sie das Gerät erst, wenn eine andere Steckdose zur Verfügung steht oder zusätzlicher Schutz möglich ist. Diese zusätzlichen Schutzvorrichtungen erhalten Sie bei Ihrem örtlichen Händler.

LISTE DER LOSEN TEILE

Artikel	Beschreibung	Mge.
2	Kurbel zum Einstellen der Höhe des Schneidekopfs	1
7	Schrauben zur Befestigung des Sockels	4

8	Füße	4
9	Sperrschraube für den Erhöhungshebel	1
10	Einschubstab	1
11	Lehre für das Einsetzen der Klinge	1
12	Sechskantschlüssel	2
13	Maulschlüssel	1

ZUSAMMENBAU

BEWEGEN DES HOBELS

Siehe Abbildung 3.

- Das Gerät kann an den beiden Griffen seitlich am Rahmen getragen werden. Stellen Sie sicher, dass die Tischverlängerungen geschlossen sind, bevor Sie das Gerät bewegen.

INSTALLIEREN DER FÜSSE

- Befestigen Sie die Füße an den Ecken am Boden des Geräts.

BEFESTIGEN DES HOBELS AUF EINEM HOLZSOCKEL

Siehe Abbildungen 5-6.

- Wenn der Hobel nicht auf einem Hobelständer montiert wird, wird empfohlen, den Hobel auf zwei Holzstücken zu montieren. Dies ermöglicht maximale Stabilität.
- Wählen Sie zwei Holzstücke entsprechend den in der Abbildung angezeigten Größen. Befestigen Sie das Gerät auf der hölzernen Oberfläche.
- Nutzen Sie die vier Sicherungsschrauben (im Lieferumfang enthalten), um den Hobel auf dem Holz zu befestigen.

VORRATSABLAGE

Siehe Abbildung 7.

- Die Vorratsablage oben auf dem Hobel ermöglicht die bequeme Handhabung der Vorräte für aufeinanderfolgende Hobelvorgänge. Der auf dem Gerät gelagerte Vorrat kann einfach zum Hobeln zum Bediener gezogen werden.

BETRIEB

EIN-/AUSSCHALTER

Siehe Abbildung 8.

- Um das Gerät einzuschalten, drücken Sie die Taste I.



Deutsch

Um es auszuschalten, drücken Sie die Taste O.

WARNUNG

Stellen Sie immer sicher, dass sich der Schalter in der Position OFF befindet, bevor Sie den Hobel an eine Stromquelle anschließen.

SELBSTAUSSCHALTER

Siehe Abbildung 8.

- Das Gerät ist zum Schutz vor Überlastung mit einem Selbstausschalter ausgestattet. Bei einer Überlastung springt der Schalter heraus. Wenn dies geschieht, warten Sie mehrere Minuten und drücken Sie den Schalter dann, um das Gerät zurückzusetzen.

EINSTELLEN DER TIEFE DES SCHNITTS

Siehe Abbildung 9.

WARNUNG

Hobeln Sie niemals mehr als 3 mm in einem Arbeitsgang und versuchen Sie nie, ein Brett mit einer Länge von weniger als 127 mm (5") zu hobeln. Tragen Sie immer einen Gesichtsschutz.

- Um die Tiefe des Schnitts anzupassen, drehen Sie den Griff zur Einstellung der Höhe des Schneidekopfes in die oben auf dem Hobel markierte Richtung. Die Einstellung der Schnitttiefe kann an der Schnitttiefenskala abgelesen werden. Die Abstufung der Einstellung ist 1,6 mm je Drehung des Griffs.
- Beginnen Sie Ihre Arbeit immer mit einem leichten Hobelschnitt. Die Schnitttiefe kann bei den folgenden Durchläufen auf bis zu 3 mm erhöht werden; beachten Sie jedoch, dass ein schmaler Schnitt eine feinere Oberfläche ergibt als ein stärkerer Schnitt.
- Die Stärke des Holzes, das den Hobel durchläuft, wird von der Entfernung zwischen Klinge und Tisch bestimmt.
 - Hobeln Sie keine Holzstücke mit einer Stärke von weniger als 7 mm.
 - Hobeln Sie keine Holzstücke mit einer Stärke von mehr als 153 mm (6").

STELLEN SIE DIE TIEFE AUF DER SCHNITTSKALA RICHTIG EIN.

Siehe Abbildung 9.

Für den sicheren Betrieb Ihres Hobels ist es sehr wichtig, dass die Schnitttiefenskala präzise ist. Um die Schnitttiefenskala einzustellen, befolgen Sie die folgenden Schritte:

- Führen Sie ein Brett zum Hobeln ein. Vergleichen Sie die gemessene Stärke des Bretts mit der Ablesung auf der Schnitttiefenskala.
- Wenn die von der Skala abgelesene Schnitttiefe falsch ist, lösen Sie die Schraube, die den Kunststoffanzeiger hält, und stellen Sie ihn korrekt ein.
- Wenn Sie die Schnitttiefenskala korrekt eingestellt haben, testen Sie die Ablesung, indem Sie ein Stück Abfallholz hobeln. Messen Sie nach dem Hobeln die gehobelte Stärke und vergleichen Sie sie mit der von der Skala abgelesenen Schnitttiefe. Die beiden Messungen sollten übereinstimmen. Passen Sie die Schnitttiefenskala bei Bedarf erneut an, um die gehobelte Stärke korrekt abzulesen.

ENTFERNEN DER HOBELKLINGEN

Siehe Abbildungen 10-12.

Um die Klingen zu entfernen, befolgen Sie die nachstehenden Schritte:

WARNUNG

Unterbrechen Sie die Stromzufuhr des Geräts, bevor Sie die Klingen entfernen.

- Nehmen Sie die Staubrinne ab, indem Sie die vier Sechskantschrauben, mit denen sie befestigt ist, entfernen.
- Lösen Sie die Verriegelungsstange und die Klinge, indem Sie die Druckschrauben im Uhrzeigersinn drehen. Die Klingen sind auf Federn gelagert und werden herausgeschoben, wenn die Schrauben der Baugruppe gelöst werden.
- Nehmen Sie zuerst die Klinge und dann die Verriegelungsstange der Klinge heraus.

INSTALLIEREN/ERSETZEN DER HOBELKLINGEN

Siehe Abbildung 12.

Um die Klingen zu installieren, befolgen Sie die nachstehenden Schritte:

- Entfernen Sie die Klingen entsprechend der Anleitung unter „ENTFERNEN DER HOBELKLINGEN“.
- Entfernen Sie den Schmutz vom Schneidekopf des Hobels.
- Setzen Sie die Verriegelungsstange der Klinge in den Schlitz am Schneidekopf ein.
- Setzen Sie die Klinge in den Schlitz am Schneidekopf ein und sichern Sie den Aufbau der Verriegelungsstange, indem Sie die Druckschrauben gegen den Uhrzeigersinn drehen. Stellen Sie sicher, dass die Klinge in die richtige Richtung ausgerichtet und im Schlitz zentriert ist.



Deutsch

- Passen Sie die Klingenhöhe entsprechend der Anleitung unter „EINSTELLEN DER KLINGENHÖHE“ ein. Die Klingenhöhe muss jedes Mal nach dem Entfernen der Klängen eingestellt werden.
- Achten Sie darauf, die Staubrinne nach dem Installieren der Klängen wieder einzusetzen.

EINSTELLEN DER KLINGENHÖHE

Siehe Abbildungen 13-14.

- Um einen Klängenüberstand von 1,1 mm zu erhalten, platzieren Sie den Klängenmaßstab auf den Schneidekopf, wobei beide Führungen fest an der Klinge sitzen.
- Lösen Sie den Aufbau, indem Sie die sieben Druckschrauben mit einem Maulschlüssel im Uhrzeigersinn drehen.
- Wenn die Klinge durch die Führungen Klängenmaßstab auf die erforderliche Höhe gedrückt wird, sichern Sie den Aufbau wieder, indem Sie die Druckschrauben gegen den Uhrzeigersinn drehen. Stellen Sie sicher, dass alle sieben Druckschrauben fest angezogen sind.

WARNUNG

Die Klängenkante kann sehr leicht springen. Seien Sie beim Umgang mit Klängenmaßstab in der Nähe der Klängen vorsichtig, um sie nicht zu beschädigen.

WARNUNG

Der Aufbau muss sicher befestigt sein, um Unfälle während des Hobelns zu verhindern.

ANBRINGEN EINES STAUBSAMMELSYSTEMS

Siehe Abbildung 19.

Der bei der Benutzung entstehende Staub kann gesundheitsschädlich sein. Nutzen Sie ein Staubsammelsystem, um den entstehenden Staub gründlich zu entfernen, z. B. mit einem Staubsauger.

Anbringen eines Staubsammelsystems:

- Stecken Sie das Werkzeug aus.
- Verbinden Sie die Düse des Staubsammelsystems mit der Stauböffnung.

Reinigen Sie den Schlauch des Staubsammelsystems des Öfteren, um das Ansammeln von Staub zu verhindern.

EINSTELLEN

PARALLELSTELLEN VON SCHNEIDEKOPF UND ARBEITSTISCH

Siehe Abbildungen 15-18.

Hobeln Sie ein Werkstück und messen Sie nach dem Schneiden die Stärke. Wenn die Stärken auf den beiden Seiten des Werkstücks unterschiedlich sind, verfahren Sie wie folgt:

Stellen Sie den Schneideschaft und den Arbeitstisch so ein, dass sie parallel sind. Die zum Prüfen verwendeten Werkzeuge werden in Abb. 15 gezeigt. Nutzen Sie Hartholz, um einen Werkzeugmaßblock zu konstruieren, wie in der Abbildung gezeigt. Führen Sie die Einstellungen gemäß den folgenden Schritten durch.

- Nehmen Sie die Kurbel zum Einstellen der Höhe und die obere sowie die seitliche Abdeckung ab, indem Sie die Innusschrauben entfernen. Damit werden die Sicherungsmuttern der Höheneinstellung freigelegt.
- Lösen Sie die Sicherungsmuttern der Einstellung.
- Regulieren Sie die Sicherungsmuttern für die Höheneinstellung nach Bedarf entsprechend dem Maßblock nach oben oder unten.
- Wenn die gewünschte Höheneinstellung erreicht ist, ziehen Sie die Muttern in dieser Position an.
- Befestigen Sie die obere sowie die seitlichen Abdeckungen und setzen Sie die Kurbel für die Höheneinstellung ein.

HINWEIS: Entfernen Sie den Maßblock, bevor Sie das Gerät starten.

Als Dickenhobeln bezeichnet man das Hobeln des Materials auf eine gewünschte Stärke, während gleichzeitig an der Gegenseite des Werkstücks eine glatte Oberfläche erzeugt wird.

Die Kunst des Dickenhobelns besteht hauptsächlich darin, in unterschiedlichen Situationen ein gutes Urteilsvermögen über die Tiefe des Schnitts anzuwenden. Sie müssen Folgendes beachten:

1. Die Breite des Holzstücks
2. Die Härte des Holzstücks
3. Den Feuchtigkeitsgehalt des Holzstücks
4. Die Geradheit des Bretts
5. Die Richtung der Maserung
6. Die Struktur der Maserung

Wie sich diese Faktoren auf die Qualität der Arbeit auswirken, lernt man nur durch Erfahrung. Wenn Sie mit einer neuen Holzsorte oder einer Holzsorte mit außergewöhnlichen Problemen arbeiten, führen Sie immer Testschnitte an Abfallstücken durch, bevor Sie mit dem Werkstück arbeiten.



Deutsch

ZUM WEITEREN HOBELN

Wenn zusätzliches Hobeln erforderlich ist, um die gewünschte Oberflächenstärke zu erreichen, drehen Sie den Schneidekopf manuell auf nicht mehr als 3 mm (zu keinem Zeitpunkt mehr als 3 mm) und wiederholen Sie den Vorgang.

▲ WARNUNG

Hobeln Sie niemals mehr als 3 mm in einem Arbeitsgang und versuchen Sie nie, ein Brett mit einer Länge von weniger als 127 mm (5") zu hobeln. Tragen Sie immer einen Gesichtsschutz.

WARTUNG UND PFLEGE

▲ WARNUNG

Stellen Sie sicher, dass der Netzstecker aus der Steckdose gezogen ist, bevor Sie Einstellungen vornehmen, schmieren oder andere Wartungsarbeiten an dem Produkt durchführen.

SCHÄRFEN DER KLINGE

Wenn es erforderlich ist, die Klinge zu schärfen, ist nur ein Schärfen des keilförmigen Bereichs erlaubt.

ÖLEN

- Die empfohlene Schmierung für Rollenketten mit mittlerer bis geringer Nutzung besteht darin, einfach die Kette abzuwischen. Wenn sich übermäßig viele Sägespäne bzw. Splitter angesammelt haben, beschichten Sie die Kette mit einem dünnen Ölfilm, aber gießen Sie das Öl niemals direkt auf die Kette. Übermäßiges Ölen führt zu verstärkter Ansammlung von Staub und Holzspänen, arbeitet beides in die Kettenglieder ein und führt somit zu verstärktem Verschleiß und verfrühtem Ersatzbedarf. Dies gilt ebenso für die Ketten zur Geschwindigkeitsverringerung und für die Höheneinstellung wie für die Hebeschrauben.
- Die Lager auf dem Schneidekopf sind werkseitig geschmiert und versiegelt. Sie müssen nicht gewartet werden.

REGELMÄSSIGE WARTUNG

- Ansammlungen von Sägespänen und anderem Schmutz können dazu führen, dass das Gerät nicht mehr präzise hobelt. Für präzises Hobeln ist eine regelmäßige Wartung obligatorisch, und die Wartung wird empfohlen.

- Eng sitzende Teile wie Verriegelungsstangen und die Schlitzte des Schneidekopfs sollten mit einer Bürste gesäubert werden; entfernen Sie anhaftende Fremdkörper. Setzen Sie dann alle Teile, leicht mit Öl befeuchtet, wieder in ihre jeweilige Position ein.
- Entfernen Sie Harz und andere Ansammlungen mit einem nicht-entzündlichen Lösemittel von den Zuführwalzen und vom Tisch.

TRANSPORT UND AUFBEWAHRUNG

Unterbrechen Sie für Transporte des Geräts die Stromzufuhr und zerlegen Sie das Gerät. Tragen Sie das Gerät an den beiden Griffen seitlich am Rahmen. Lagern Sie das Produkt an einem sicheren Ort, der für Kinder nicht zugänglich ist.

Reinigen Sie das Produkt mit einer Bürste und einem Staubsauger, bevor Sie es einlagern.

UMWELTSCHUTZ



Recyceln Sie die Rohstoffe, anstatt sie im Haushaltsabfall zu entsorgen. Zum Schutz der Umwelt müssen das Gerät, die Zubehörteile und die Verpackungen getrennt entsorgt werden.

SYMBOL



Sicherheitswarnung



CE Konformität



Bitte lesen Sie die Anweisungen sorgfältig durch, bevor Sie das Produkt einschalten.



Klasse II, Doppelisolierung



Gehörschutz tragen




Tragen Sie immer Augenschutz!



Drehrichtung des Messers

Deutsch

 Maximale Hobeltiefe je Durchgang

 Mindesthobellänge


 Maximale Hobelbreite

 Hobelhöhe

 Zufuhrgeschwindigkeit

 Klingenlänge

 Klinge tiefer stellen

 Klinge anheben



Elektrische Geräte sollten nicht mit dem übrigen Müll entsorgt werden. Bitte entsorgen Sie diese an den entsprechenden Entsorgungsstellen. Wenden Sie sich an die örtliche Behörde oder Ihren Händler, um Auskunft über die Entsorgung zu erhalten.





Deutsch

FEHLERBEHEBUNG

Problem	Möglicher Grund	Lösung
Die Maserung ist undeutlich.	<ol style="list-style-type: none"> 1. Es soll Holz mit hohem Feuchtigkeitsgehalt gehobelt werden. 2. Die Klingen sind stumpf. 	<ol style="list-style-type: none"> 1. Trocknen Sie das Holz. 2. Schärfen Sie die Klingen.
Die Maserung ist rissig.	<ol style="list-style-type: none"> 1. Der Schnitt ist zu schwer. 2. Die Klingen schneiden gegen die Maserung. 3. Die Klingen sind stumpf. 	<ol style="list-style-type: none"> 1. Prüfen Sie die Schnitttiefe. 2. Legen Sie das Werkstück in Laufrichtung der Maserung ein oder drehen Sie es. 3. Schärfen Sie die Klingen.
Die Maserung ist rau/erhöht.	<ol style="list-style-type: none"> 1. Die Klingen sind stumpf. 2. Der Schnitt ist zu schwer. 3. Der Feuchtigkeitsgehalt ist zu hoch. 4. Die Lager des Schneidekopfs sind beschädigt. 	<ol style="list-style-type: none"> 1. Schärfen Sie die Klingen. 2. Prüfen Sie die Schnitttiefe. 3. Trocknen Sie das Holz. 4. Ersetzen Sie die Lager.
Unebenheit des Schnitts von einer Seite zur anderen	<ol style="list-style-type: none"> 1. Der Klingenüberstand ist nicht gleichmäßig. 2. Der Schneidekopf ist nicht plan zum Hobelbett. 	<ol style="list-style-type: none"> 1. Stellen Sie den Klingenüberstand ein. 2. Passen Sie den Schneidekopf an den Tisch an.
Die Stärke des Bretts entspricht nicht der Tiefe auf der Schnittfenskala.	<ol style="list-style-type: none"> 1. Die Tiefe der Schnittfenskala ist falsch. 	<ol style="list-style-type: none"> 1. Stellen Sie die Tiefe auf der Schnittfenskala richtig ein.
Die Kette springt.	<ol style="list-style-type: none"> 1. Die Ritzel sind falsch ausgerichtet. 2. Die Ritzel sind verschlissen. 	<ol style="list-style-type: none"> 1. Richten Sie die Ritzel aus. 2. Ersetzen Sie das Zahnrad.
Das Gerät startet nicht/steht nicht wieder.	<ol style="list-style-type: none"> 1. Das Gerät ist nicht angeschlossen. 2. Motorversagen 3. Das Kabel ist lose. 4. Das Zurücksetzen nach Überlastung ist fehlgeschlagen. 5. Versagen des Motorstarters 	<ol style="list-style-type: none"> 1. Prüfen Sie die Stromquelle. 2. Prüfen Sie den Motor. 3. Lassen Sie den Motor von einem autorisierten Serviceanbieter prüfen. 4. Lassen Sie das Gerät abkühlen und starten Sie es erneut. 5. Lassen Sie den Starter von einem autorisierten Serviceanbieter prüfen.
Wiederholte Schaltkreisauslösung, was zum Anhalten des Motors führt	<ol style="list-style-type: none"> 1. Das Verlängerungskabel ist zu lang oder zu dünn. 2. Die Klingen sind zu stumpf. 3. Die Spannung ist niedrig. 	<ol style="list-style-type: none"> 1. Nutzen Sie ein kürzeres oder dickeres Verlängerungskabel. 2. Schärfen oder ersetzen Sie die Klingen. 3. Prüfen Sie die Spannung.
Schlechtes Einführen des Holzstücks	<ol style="list-style-type: none"> 1. Der Hobeltisch ist schmutzig. 2. Die Zuführwalze ist beschädigt. 3. Das Ritzel ist beschädigt. 4. Getriebefunktion 	<ol style="list-style-type: none"> 1. Reinigen Sie das Gerät von Öl und Rückständen und reinigen Sie den Hobeltisch. 2. Ersetzen Sie die Zuführwalze. 3. Ersetzen Sie das Zahnrad. 4. Prüfen Sie das Getriebe.
Das Werkstück steckt fest.	<ol style="list-style-type: none"> 1. Falsche Höheneinstellung der Klinge 	<ol style="list-style-type: none"> 1. Setzen Sie die Klinge auf die korrekte Höhe.





Español

DESCRIPCIÓN

1. Protector superior
2. Manivela de ajuste de altura del cabezal de corte
3. Escala de profundidad de corte
4. Interruptor de encendido
5. Interruptor de sobrecarga
6. Extensión de la mesa
7. Tornillos de bloqueo de la base
8. Pies
9. Tornillo de bloqueo de la perilla de elevación
10. Varilla de empuje
11. Medidor de ajuste de la cuchilla
12. Llave hexagonal
13. Llave de boca
14. Indicador de plástico
15. Boquilla de extracción de polvo
16. Tornillos de cabeza hueca hexagonal
17. Tornillos de fijación
18. Medidor de ajuste de la cuchilla
19. Barra de bloqueo
20. Tornillos de bloqueo
21. Hojas
22. Resorte
23. Tornillos Allen
24. Tuerca de ajuste de altura

La seguridad, el rendimiento y la fiabilidad han sido las máximas prioridades a la hora de diseñar esta cepilladora regresadora.

USO PREVISTO

La cepilladora está concebida para cepillar madera.

No utilice este aparato para cualquier otro fin que no sea aquel para el cual está pensado.

ALERTA DE SEGURIDAD GENERAL

ADVERTENCIA

Quando use herramientas eléctricas, siempre deben seguirse las precauciones básicas de seguridad para reducir el riesgo de incendio, descarga eléctrica y lesiones personales. Lea todas las instrucciones antes de utilizar el producto y guarde estas instrucciones.

- **Mantenga el área de trabajo limpia.** Las áreas y los bancos de trabajo desordenados propician los daños corporales.
- **Tenga en cuenta el entorno del área de trabajo.** No exponga las herramientas a la lluvia. No utilice herramientas en lugares húmedos o mojados. Mantenga limpia el área de trabajo. No utilice las

herramientas en presencia de líquidos o gases inflamables.

- **Protección contra descargas eléctricas.** Evite el contacto corporal con superficies conectadas a tierra (por ejemplo, tuberías, radiadores, estufas y refrigeradores).
- **Mantenga a otras personas alejadas.** No deje que otras personas, especialmente niños, participen en el trabajo, toquen la herramienta o el alargador, y manténgalos alejados del área de trabajo.
- **Guarde las herramientas inactivas.** Cuando no esté en uso, la herramienta debe guardarse en un lugar seco, bajo llave, fuera del alcance de los niños.
- **No fuerce la herramienta.** Realizará un trabajo mejor y más seguro a la velocidad para la que ha sido diseñada.
- **Utilice la herramienta adecuada.** No utilice herramientas pequeñas para realizar el trabajo de una grande. No utilice las herramientas para otros fines distintos de los previstos, por ejemplo, no utilice sierras circulares para cortar ramas o troncos de árboles.
- **Vístase adecuadamente.** No utilice ropa holgada o joyas, ya que pueden quedar atrapados en las piezas móviles. Para trabajos exteriores se recomienda calzado antideslizante. Use cobertura de protección para el cabello para amarrar el cabello largo.
- **Utilice un equipo de protección.** Utilice gafas de seguridad. Utilice una mascarilla para la cara o contra el polvo en caso de que el trabajo origine polvo.
- **Conecte el equipo aspirador de polvo.** Si existe una herramienta para la conexión de accesorios de recogida y extracción de polvo, asegúrese de que está conectada y que se utilizan adecuadamente.
- **Utilice correctamente el cable.** Nunca tire del cable para desenchufarlo. Mantenga el cable lejos de fuentes de calor, aceite y bordes afilados.
- **Fije la pieza de trabajo.** Si es posible, utilice abrazaderas o un tomo de banco para sujetar el trabajo. Es más seguro que utilizar la mano.
- **No realice sobreesfuerzos.** Mantenga un equilibrio adecuado en todo momento.
- **Utilice las herramientas con cuidado.** Mantenga las herramientas de corte afiladas y limpias para que realicen un trabajo mejor y más seguro. Siga las instrucciones de lubricación y cambio de accesorios. Inspeccione periódicamente los cables y si están dañados llévelos a un centro de servicio autorizado. Revise las prolongaciones periódicamente y sustitúyalas si están dañadas. Mantenga las asas secas, limpias y libres de aceite y grasa.





Español

- **Desconecte las herramientas.** Desenchufe las herramientas cuando no se encuentren en uso, antes de realizar cualquier reparación y cuando cambie accesorios como hojas, puntas y cuchillas.
- **Retire las llaves de ajuste.** Compruebe siempre que las llaves de ajuste no se encuentran en la herramienta antes de encenderla.
- **Evite el arranque accidental de la herramienta.** Asegúrese de que el interruptor se encuentra en la posición "off" cuando enchufe la herramienta.
- **Utilice alargadores para exterior.** Cuando utilice una herramienta al aire libre, utilice únicamente cables de extensión que estén destinados para uso en exteriores y que así lo indiquen.
- **Manténgase alerta.** Tenga cuidado con lo que hace, utilice el sentido común y no utilice la herramienta cuando esté cansado.
- **Compruebe que no haya piezas dañadas.** Antes de seguir utilizando la herramienta, esta deberá ser minuciosamente comprobada para determinar si va a funcionar adecuadamente y realizar su función prevista. Compruebe la alineación y el acoplamiento de las piezas móviles, la rotura de piezas, el montaje y cualquier otro problema que pueda afectar a su funcionamiento. Una protección u otra parte que esté dañada debería ser debidamente reparada o sustituida en el centro de servicio autorizado a menos que se indique lo contrario en este manual de instrucciones. Los enchufes defectuosos deben ser sustituidos por un centro de reparación autorizado. No utilice la herramienta si el interruptor no enciende ni apaga.
- **Advertencia.** El uso de cualquier accesorio o complemento no recomendado en este manual de instrucciones puede suponer un riesgo de lesión personal.
- **La herramienta deberá ser reparada por personal cualificado.** Esta herramienta eléctrica cumple con las normas de seguridad correspondientes. Las reparaciones sólo deberán ser realizadas por personal cualificado y utilizando recambios originales, en caso contrario podría producirse un grave peligro para el usuario.

ADVERTENCIAS DE SEGURIDAD DE LA CEPILLADORA

- Utilice siempre gafas de protección y protección auditiva cuando utilice la herramienta eléctrica.
- Utilice guantes cuando maneje el bloque de corte y material rugoso para reducir lesiones por bordes cortantes.

- Póngase una pantalla facial o una mascarilla antipolvo si la operación que está realizando lo requiere.
- Asegúrese de que todos los tornillos de sujeción estén apretados antes de poner en marcha la máquina.
- Detenga siempre el motor y desconecte de la fuente de alimentación antes de realizar cualquier ajuste.
- Asegúrese de que todos los protectores están colocados antes de ponerla en funcionamiento.
- Lea atentamente el manual para operadores y familiarícese con la máquina antes de utilizarla.
- No fuerce el trabajo de la máquina. Deje que el producto aplique la velocidad de avance adecuada.
- Revise los rodillos ocasionalmente para asegurarse de que no hay serrín y virutas alojados entre los componentes. Si los rodillos no se encuentran firmes, los cilindros de alimentación no mantendrán la madera firme contra la mesa de trabajo, lo que puede provocar contragolpes.
- Compruebe y asegúrese de que las mesas de rodillos están en el mismo nivel que la mesa de trabajo cuando cepille la madera y que los rodillos pueden rotar libremente cuando se cepillan piezas de trabajo largas.
- Utilice el producto únicamente para cepillar tableros de madera seca.
- Utilice madera sólida, sin nudos sueltos y con la menor cantidad de nudos sólidos posible.
- No permanezca nunca directamente en línea con los laterales de entrada o salida de alimentación. Manténgase siempre apartado a un lado de la máquina.
- Asegúrese de que la pieza de trabajo no tiene clavos, tornillos, piedras ni otros objetos extraños que podrían dañar las cuchillas.
- Asegúrese de que las cuchillas están correctamente instaladas tal y como se describe en las instrucciones.
- Tenga cuidado al manipular las cuchillas y el cabezal de corte. Las cuchillas están afiladas y pueden cortar fácilmente la mano.
- Deje que el cabezal de corte alcance su máxima velocidad antes de utilizarlo.
- Utilice la varilla de empuje en vez de las manos para empujar la pieza de trabajo cuando el extremo se aproxime a las cuchillas. La varilla de empuje se debe guardar en la mesa de trabajo cuando no se utilice.
- Utilice cuchillas que estén bien afiladas y en buen estado.
- Utilice únicamente cuchillas de corte diseñadas para el producto.
- Asegúrese de que la cepilladora esté fijada de forma



Español

segura antes de utilizarla. Preste especial atención a la estabilidad cuando cepille piezas de trabajo largas.

- Mantenga las manos lejos de la cuchilla cuando esté en movimiento.
- No realice cortes con profundidad superior a 3 mm (1/8").
- Utilice protectores visuales que cumplan con las normas de seguridad locales.
- No retire las piezas atascadas hasta que la cuchilla se haya detenido y la alimentación esté APAGADA.

⚠ ADVERTENCIA

No realice nunca las siguientes operaciones:

- Trabajo interrumpido (es decir, cualquier corte que no implique toda la longitud de la pieza)
- Cepillar recovecos, espigas o moldes
- Cepillar madera mal inclinada con contacto insuficiente con la mesa de entrada de alimentación

TRINQUETES PARA CONTRAGOLPES

Ver figura 2.

- Un trinquete para contragolpes es un dispositivo que, cuando se encuentra debidamente instalado y con un buen mantenimiento, está diseñado para evitar que las piezas de trabajo sean lanzadas hacia la parte frontal de la cuchilla durante el funcionamiento.

PREVENCIÓN DEL CONTRAGOLPE

- Utilice siempre el ajuste de profundidad de cuchilla correcto.
Revise que la pieza de trabajo no tenga nudos o clavos antes de empezar a cortar. Elimine los nudos sueltos con un martillo. Nunca corte si hay un nudo o clavo suelto.
- Utilice siempre cuchillas limpias, afiladas y correctamente colocadas.
- Nunca utilice el producto con cuchillas desgastadas.
- Para evitar que la cuchilla se atasque, apoye la pieza de trabajo correctamente antes de empezar a trabajar.
- Cuando realice una operación de cepillado, aplique una presión constante y uniforme. Nunca fuerce el producto.
- No cepille madera húmeda ni alabeada.
- Siempre mantenga firme la pieza de trabajo con ambas manos y coloque el cuerpo en una posición equilibrada para poder contrarrestar la fuerza de un contragolpe. Nunca permanezca en línea recta con la madera.

RIESGOS RESIDUALES

Incluso cuando se utiliza el producto según las instrucciones, sigue siendo imposible eliminar por completo ciertos factores de riesgo residuales. El usuario debe prestar especial atención a estos puntos para minimizar el riesgo de lesiones personales graves.

- Lesiones auditivas – Use protección adecuada para los oídos y limite el tiempo de exposición
- Lesiones oculares – Hay que llevar pantallas o gafas de protección para los ojos cuando se utilice el aparato.
- Daños respiratorios debido al polvo generado al utilizar el producto – Utilice la protección adecuada según el tipo de polvo.

CONEXIÓN ELÉCTRICA

Este producto funciona con un motor eléctrico de precisión. Esta herramienta debe conectarse a una fuente de alimentación de 220~240V, de CA solamente (corriente normal del hogar), 50 Hz. No utilice este producto con corriente continua (CC). Una caída sustancial del voltaje causará una pérdida de potencia y el motor se sobrecalentará. Si el producto no funciona al enchufarlo a una toma de corriente, vuelva a comprobar el suministro de corriente.

VELOCIDAD Y CABLEADO

La velocidad sin carga de esta herramienta es de aproximadamente 9.000 rpm. Esta velocidad no es constante y disminuye durante una carga o con menor tensión. En cuanto al voltaje, la instalación eléctrica de una tienda es tan importante como el rango de potencia de un motor. Una línea de alimentación destinada sólo para luces no puede soportar un motor de una herramienta eléctrica. Un cable con un calibre suficiente para una distancia corta será muy débil para una mayor distancia. Una línea de alimentación que puede soportar una herramienta eléctrica puede no ser suficiente para alimentar dos o tres herramientas.

Si el cable de alimentación está dañado, debería ser reemplazado únicamente por el fabricante o por un centro de servicio autorizado para evitar riesgos.

Conecte sólo el producto a una toma que tenga la misma configuración que el enchufe. No utilice un adaptador con este producto.

Para más seguridad y fiabilidad, todas las reparaciones deben ser efectuadas por un Centro de Servicio Habilitado RYOBI.

Se debe proporcionar protección mediante un dispositivo de corriente residual (RCD) en el circuito o toma que se vaya a utilizar para el producto. Están disponibles las tomas de corriente con protección RCD incorporada y se

Español

pueden utilizar para esta medida de seguridad.

Si el producto se utiliza con una alargadera, asegúrese de que la conexión entre el cable de alimentación de la herramienta y la alargadera no está en el suelo. Los dispositivos auxiliares siempre deben estar conectados a la toma pared y no a la conexión de un cable de extensión y al cable de alimentación de una herramienta eléctrica.

Si una toma de salida protegida no está disponible, no utilice el producto hasta que se pueda cambiar la toma o se pueda obtener protección auxiliar. Estos dispositivos auxiliares de protección están disponibles en su distribuidor local.

LISTA DE PIEZAS SUELTAS

Artículo	Descripción	Cant.
2	Manivela de ajuste de altura del cabezal de corte	1
7	Tornillos de bloqueo de la base	4
8	Pies	4
9	Tornillo de bloqueo de la perilla de elevación	1
10	Varilla de empuje	1
11	Medidor de ajuste de la cuchilla	1
12	Llave hexagonal	2
13	Llave de boca	1

MONTAJE

TRASLADO DE LA CEPILLADORA

Ver figura 3.

- El producto se puede trasladar utilizando las asas situadas en ambos lados de la estructura. Asegúrese de que las extensiones de la mesa están cerradas antes de desplazar el producto.

INSTALACIÓN DE LOS PIES

- Ajuste los pies a las esquinas de la parte inferior del producto.

MONTAJE DE LA CEPILLADORA SOBRE UNA BASE DE MADERA

Ver figuras 5-6.

- Si la cepilladora no está montada sobre un soporte para cepilladora, se sugiere montarlo sobre dos tableros de madera. Así se garantizará la máxima estabilidad.

- Seleccione dos piezas de madera según los tamaños indicados en la figura. Coloque el producto sobre la superficie de madera.
- Utilice los cuatro tornillos de bloqueo de la base (suministrados) para montar la base de la cepilladora sobre la madera.

SOPORTE PARA MATERIAL

Ver figura 7.

- El soporte para material situado en la parte superior de la cepilladora ofrece un manejo cómodo del material para operaciones de corte consecutivas. El material colocado en la parte superior de la máquina se puede arrastrar fácilmente hacia el operador para proceder al cepillado.

FUNCIONAMIENTO

INTERRUPTOR DE ENCENDIDO/APAGADO

Ver figura 8.

- Para encender el producto, presione el botón I. Para apagarlo, presione el botón O.

⚠ ADVERTENCIA

Asegúrese de que el interruptor está en posición OFF antes de conectar la cepilladora a la fuente de alimentación.

INTERRUPTOR DE SOBRECARGA DE CIRCUITO

Ver figura 8.

- La máquina está provista de un interruptor de sobrecarga para proteger en caso de sobrecarga. Si se produce una sobrecarga, el interruptor saltará. Si esto ocurre, espere varios minutos y presione el interruptor para reiniciar la máquina.

AJUSTE DE LA PROFUNDIDAD DE CORTE

Ver figura 9.

⚠ ADVERTENCIA

Nunca cepille más de 3 mm de una pasada ni intente cepillar un tablero de menos de 127 mm de longitud. Lleve siempre una visera protectora.

- Para ajustar la profundidad de corte, gire la manivela de ajuste de altura del cabezal de corte en las direcciones indicadas en la parte superior de la cepilladora. El ajuste de la profundidad de corte se puede leer en la escala de profundidad de corte. La graduación de ajuste es de 1,6 mm por cada giro de



Español

la manivela.

- Empiece siempre el trabajo realizando un cepillado ligero. La profundidad de corte en pasadas posteriores se puede incrementar hasta 3 mm, pero recuerde que un corte ligero deja un acabado más fino que un corte más grueso.
- El espesor de la tabla que pasa por debajo de la cepilladora se controla mediante la distancia a la cual se ajusta la cuchilla de corte de la mesa.
 - No cepille tablas de madera de un grosor inferior a 7 mm.
 - No cepille tablas de madera de un grosor superior a 153 mm.

AJUSTE LA ESCALA DE PROFUNDIDAD DE CORTE.

Ver figura 9.

Para un funcionamiento seguro de la cepilladora, es muy importante que la escala de profundidad de corte lea de manera precisa. Para ajustar la escala de profundidad de corte, siga los siguientes pasos:

- Coloque una tabla para cepillar. Compare la medida del grosor de la tabla con la lectura que indica la escala de profundidad de corte.
- Si la lectura de la escala de profundidad de corte es incorrecta, afloje el tornillo que aprieta el indicador de plástico y ajústelo como corresponda.
- Cuando haya ajustado correctamente la escala de profundidad de corte, controle su lectura cepillando una tabla de madera que le sobre. Tras el cepillado, mida el espesor de cepillado y compárelo nuevamente con la lectura de la escala. Las dos medidas deben ser iguales. En caso necesario, reajuste la escala de profundidad de corte para que indique el espesor de cepillado.

EXTRACCIÓN DE LAS CUCHILLAS DE LA CEPILLADORA

Ver figuras 10-12.

Para quitar las cuchillas, siga los siguientes pasos:

ADVERTENCIA

Desconecte el producto de la fuente de alimentación antes de quitar las cuchillas.

- Retire la boquilla de extracción de polvo quitando los cuatro tornillos de cabeza hexagonal.
- Afloje la barra de bloqueo y la cuchilla girando los tornillos de fijación en el sentido de las agujas del reloj. Las cuchillas están accionadas por resorte y se saldrán de su lugar cuando se afloje el ensamblaje.
- Saque la cuchilla y, a continuación, la barra de

bloqueo de la cuchilla.

INSTALACIÓN Y SUSTITUCIÓN DE LAS CUCHILLAS DE LA CEPILLADORA

Ver figura 12.

Para instalar las cuchillas, siga los siguientes pasos:

- Quite las cuchillas según las instrucciones del apartado "EXTRACCIÓN DE LAS CUCHILLAS DE LA CEPILLADORA".
- Retire todos los restos del cabezal de corte de la cepilladora.
- Ajuste la barra de bloqueo de la cuchilla en la ranura del cabezal de corte.
- Coloque la cuchilla en la ranura del cabezal de corte y apriete la barra de bloqueo de la cuchilla girando los tornillos de fijación en el sentido de las agujas del reloj. Asegúrese de que la cuchilla está dirigida hacia la dirección correcta y centrada en la ranura.
- Ajuste la altura de la cuchilla según las instrucciones del apartado "AJUSTE DE LA ALTURA DE LA CUCHILLA". La altura de la cuchilla se debe ajustar cada vez que se quiten las cuchillas por cualquier motivo.
- Asegúrese de volver a colocar la boquilla de extracción de polvo una vez instaladas las cuchillas.

AJUSTE DE LA ALTURA DE LA CUCHILLA

Ver figuras 13-14.

- Para obtener una proyección de la cuchilla de 1,1 mm, coloque el medidor de ajuste de la cuchilla en el cabezal de corte con ambas guías descansando firmemente contra la cuchilla.
- Afloje el ensamblaje girando los siete tornillos de fijación en el sentido de las agujas del reloj con una llave de boca.
- Cuando la cuchilla esté presionada a la altura requerida por las guías del medidor, vuelva a apretar el ensamblaje girando los tornillos de fijación en el sentido contrario a las agujas del reloj. Asegúrese de que los siete tornillos de fijación están bien apretados.

ADVERTENCIA

El filo de la cuchilla puede astillarse con facilidad. Tenga cuidado al manipular el medidor cerca de las cuchillas para evitar dañarlas.

ADVERTENCIA

El ensamblaje debe estar bien apretado para evitar accidentes durante el cepillado.





Español

CONEXIÓN DE UN SISTEMA DE RECOGIDA DE POLVO

Ver figura 19.

El polvo que se produce cuando se usa esta herramienta puede ser perjudicial para la salud. Utilice un sistema de absorción de polvo y retire el polvo depositado en toda la máquina, por ejemplo, un aspirador.

Para conectar un sistema de recogida de polvo:

- Desenchufe la herramienta.
- Conecte la boquilla del sistema de recolección de polvo al puerto de polvo.

Limpie frecuentemente la manguera del sistema de recogida de polvo para evitar la acumulación de polvo.

AJUSTE

AJUSTE PARALELO DEL CABEZAL DE CORTE Y LA MESA DE TRABAJO

Ver figuras 15-18.

Cepille una pieza de trabajo y mida el espesor después del corte. Si el espesor no es el mismo en ambos lados de la pieza de trabajo, realice lo siguiente:

Ajuste el eje del cabezal de corte y la mesa de trabajo de tal manera que estén paralelos. Las herramientas utilizadas para realizar la verificación se muestran en la figura 15. Utilice madera dura para hacer un bloque de medición de acuerdo con el tamaño indicado en la figura. Realice los ajustes de acuerdo con los siguientes procedimientos.

- Quite la manivela de ajuste de altura y las cubiertas superiores y laterales quitando los tornillos allen para dejar a la vista las tuercas de bloqueo de ajuste de altura.
- Afloje las tuercas de bloqueo de ajuste de altura.
- Ajuste las tuercas de bloqueo de ajuste de altura hacia arriba o hacia abajo según sea necesario para acomodarse al bloque medidor.
- Cuando alcance el ajuste de altura deseado, apriete las tuercas de bloqueo en su posición.
- Vuelva a montar las cubiertas laterales y superiores y vuelva a colocar la manivela de ajuste de altura.

NOTA: Retire el bloque medidor antes de poner en marcha la máquina.

El cepillado de espesor es la reducción del material hasta el espesor deseado, creando una superficie lisa paralela al lado opuesto del tablero.

El arte del cepillado de espesor consiste principalmente en el uso del buen juicio en cuanto a la profundidad de corte en distintas situaciones. Debe tener en cuenta:

1. La anchura de la madera
2. La dureza de la madera
3. La humedad de la madera
4. La rectitud de la madera
5. La dirección de la veta
6. La estructura de la veta

La influencia de estos factores en la calidad del trabajo solo puede saberse con la experiencia. Cada vez que trabaje con un nuevo tipo de madera o con uno que le ocasione problemas inusuales, realice siempre cortes de prueba en material que le sobre antes de trabajar con la pieza real de trabajo.

CEPILLADO ADICIONAL

Si requiere un cepillado adicional para obtener el espesor de acabado deseado, ajuste el cabezal de corte un máximo de 3 mm (en cualquier momento) y realice otra pasada.

⚠ ADVERTENCIA

Nunca cepille más de 3 mm de una pasada ni intente cepillar un tablero de menos de 127 mm de longitud. Lleve siempre una visera protectora.

MANTENIMIENTO

⚠ ADVERTENCIA

Asegúrese siempre de que el cable de alimentación ha sido retirado de la red eléctrica antes de realizar cualquier ajuste u operaciones de lubricación o al realizar operaciones de mantenimiento en el producto.

AFILADO DE LA CUCHILLA

Si es necesario afilar la cuchilla, solo se permite afilar la zona enclavada.

LUBRICACIÓN

- La lubricación recomendada para las cadenas de los rodillos utilizadas en operaciones de mediana a baja fuerza es simplemente limpiar la cadena. Cuando haya un exceso de polvo o virutas de madera, etc., aplique una fina película de aceite sobre las cadenas pero nunca vierta el aceite directamente sobre ellas. Un exceso de aceite suele acelerar la recogida de polvo y virutas de madera y los adhiere a los elementos de la cadena, lo que provoca un mayor desgaste y una sustitución prematura. Esto se aplica a las cadenas de reducción de velocidad y de ajuste de altura, así como también a los tornillos de elevación.



Español

- Los cojinetes del cabezal de corte vienen lubricados y sellados de fábrica. No requieren más atención.

MANTENIMIENTO PERIÓDICO

- La acumulación de serrín y otros desechos puede provocar el cepillado incorrecto de la máquina. Es obligatorio y muy recomendable realizar limpiezas periódicas para conseguir un cepillado de precisión.
- Las piezas ajustadas, como las barras de seguridad y las ranuras del cabezal de corte de la cepilladora se deben limpiar con un cepillo, eliminando los cuerpos extraños adheridos. A continuación, vuelva a colocar todas las piezas en sus respectivas posiciones ligeramente humedecidas con aceite.
- Quite la resina y otras acumulaciones de los rodillos de alimentación con un disolvente no inflamable.

TRANSPORTE Y ALMACENAMIENTO

Cuando transporte el producto, desconecte el cable de alimentación y desmonte el producto. Traslade el producto utilizando las asas situadas en ambos lados de la estructura. Guarde el producto en un lugar seguro que no sea accesible a los niños.

Limpie el producto con un cepillo y un aspirador antes de su almacenamiento.

PROTECCIÓN DEL MEDIO AMBIENTE



Recicle las materias primas en lugar de tirarlas a la basura doméstica. Para proteger el medio ambiente, debe separar la herramienta, los accesorios y los embalajes.

SÍMBOLO



Alerta de seguridad



Conformidad CE



Por favor, lea atentamente las instrucciones antes de encender el producto.



Clase II, doble aislamiento



Utilice dispositivos de protección para los oídos



Utilice siempre gafas de protección.



Sentido de rotación de la lámina



Profundidad máxima del cepillado por pase



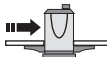
Longitud mínima del cepillado



Anchura máxima del cepillado



Altura del cepillado



Velocidad de alimentación



Longitud de la cuchilla



Bajar la cuchilla



Subir la cuchilla



Los productos eléctricos de desperdicio no deben desecharse con desperdicios caseros. Por favor recíclelos donde existan dichas instalaciones. Compruebe con su autoridad local o minorista para reciclar.



Español

RESOLUCIÓN DE PROBLEMAS

Problema	Posible causa	Solución
La veta se ve borrosa.	<ol style="list-style-type: none"> 1. La madera cepillada tiene un alto contenido de humedad. 2. Las cuchillas están desgastadas. 	<ol style="list-style-type: none"> 1. Seque la madera. 2. Afíle las cuchillas.
La veta está agrietada.	<ol style="list-style-type: none"> 1. El corte es demasiado profundo. 2. Las cuchillas cortan en el lado contrario de la veta. 3. Las cuchillas están desgastadas. 	<ol style="list-style-type: none"> 1. Revise la profundidad de corte adecuada. 2. Introduzca la pieza de trabajo con la veta o vaya girando la pieza de trabajo. 3. Afíle las cuchillas.
La veta está áspera o elevada.	<ol style="list-style-type: none"> 1. Las cuchillas están desgastadas. 2. El corte es demasiado profundo. 3. El contenido de humedad es demasiado alto. 4. Los cojinetes del cabezal de corte están dañados. 	<ol style="list-style-type: none"> 1. Afíle las cuchillas. 2. Revise la profundidad de corte adecuada. 3. Seque la madera. 4. Sustituya los cojinetes.
Profundidad de corte desigual de lado a lado.	<ol style="list-style-type: none"> 1. La proyección de las cuchillas no es uniforme. 2. El cabezal de corte no está nivelado con la mesa de la cepilladora. 	<ol style="list-style-type: none"> 1. Ajuste la proyección de las cuchillas. 2. Nivele el cabezal de corte con la mesa.
El espesor de la tabla no coincide con el que indica la escala de profundidad de corte.	<ol style="list-style-type: none"> 1. La escala de profundidad de corte es incorrecta. 	<ol style="list-style-type: none"> 1. Ajuste la escala de profundidad de corte.
La cadena salta.	<ol style="list-style-type: none"> 1. Los piñones están mal alineados. 2. Los piñones están desgastados. 	<ol style="list-style-type: none"> 1. Alinee los piñones. 2. Sustituya el piñón.
La máquina no se enciende/ reinicia.	<ol style="list-style-type: none"> 1. La máquina no está conectada. 2. Fallo en el motor. 3. El cable está suelto. 4. El reinicio por sobrecarga ha fallado. 5. Fallo en el motor de arranque. 	<ol style="list-style-type: none"> 1. Verifique la fuente de alimentación. 2. Revise el motor. 3. Solicite una revisión del motor a un centro de servicio autorizado. 4. Deje que la máquina se enfríe y vuelva a encenderla. 5. Solicite una revisión del motor de arranque a un centro de servicio autorizado.
Las bajadas de electricidad repetidas provocan la detención del motor.	<ol style="list-style-type: none"> 1. El cable de extensión es demasiado largo o demasiado fino. 2. Las cuchillas están demasiado desgastadas. 3. Funcionamiento a bajo voltaje. 	<ol style="list-style-type: none"> 1. Utilice un cable de extensión más corto o más grueso. 2. Afíle o sustituya las cuchillas. 3. Verifique el voltaje.
Mala alimentación de madera.	<ol style="list-style-type: none"> 1. La mesa de la cepilladora está sucia. 2. El rodillo de alimentación está dañado. 3. El piñón está dañado. 4. La caja de engranajes falla. 	<ol style="list-style-type: none"> 1. Quite el paso y los residuos y lubrique la mesa de la cepilladora. 2. Sustituya el rodillo de alimentación. 3. Sustituya el piñón. 4. Verifique la caja de engranajes.
La pieza de trabajo está atascada.	<ol style="list-style-type: none"> 1. Ajuste de altura de cuchilla erróneo. 	<ol style="list-style-type: none"> 1. Ajuste la cuchilla a la altura correcta.





Italiano

DESCRIZIONE

1. Protezione superiore
2. Manopola di regolazione dell'altezza di taglio
3. Scala di profondità di taglio
4. Interruttore alimentazione
5. Interruttore di sovraccarico
6. Piano prolunga
7. Manopola di regolazione dell'altezza di taglio
8. Piedini
9. Piedini
10. Spingipezzo
11. Calibro di regolazione della lama
12. Chiave esagonale
13. Chiave aperta
14. Puntatore in plastica
15. Scarico per polveri
16. Vite a testa cilindrica con esagono incassato
17. Viti di forzatura
18. Calibro di regolazione della lama
19. Barra di bloccaggio
20. Viti di bloccaggio
21. Lamas
22. Molla
23. Viti a brugola
24. Dado di regolazione dell'altezza

Durante la progettazione di questa piallatrice a spessore è stata data la massima priorità a sicurezza, prestazioni e affidabilità.

UTILIZZO

La piallatrice è progettata per la piallatura del legno.

Non utilizzare questo prodotto in modi diversi da quelli indicati nel manuale.

AVVERTENZE GENERALI DI SICUREZZA

AVVERTENZE

Quando si utilizzano elettrotensili, si dovranno sempre seguire precauzioni di base di sicurezza per ridurre il rischio di incendi, scosse elettriche e lesioni personali. Leggere tutte le istruzioni prima di tentare di mettere in funzione il prodotto e conservare queste istruzioni.

- **Tenere l'area di lavoro libera.** Zone e banchi di lavoro in disordine possono causare incidenti.
- **Tenere in considerazione l'area di lavoro.** Non esporre gli utensili a pioggia. Non utilizzare gli utensili in luoghi umidi o bagnati. Mantenere l'area di lavoro ben illuminata. Non utilizzare in presenza di liquidi infiammabili o gas.

- **Dispositivo contro scosse elettriche.** Evitare il contatto del corpo con superfici con messa a terra (per esempio, tubi, radiatori, stufe, refrigeratori).
- **Tenere lontane tutte le altre persone.** Tenere eventuali osservatori, soprattutto bambini a distanza di sicurezza, evitare che tocchino l'utensile o la prolunga e tenerli lontani dall'area di lavoro.
- **Riporre gli utensili che non vengono utilizzati.** Quando non si utilizza l'utensile, riporlo in un luogo chiuso e asciutto, lontano dalla portata dei bambini.
- **Non forzare l'utensile.** Svolgerà il lavoro per il quale è stato progettato in maniera migliore e più sicura.
- **Utilizzare l'utensile adatto.** Non utilizzare piccoli attrezzi per lavori pesanti. Non utilizzare gli utensili per scopi per i quali non sono stati progettati, per esempio non utilizzare le motoseghe circolari per tagliare rami o tronchi.
- **Vestirsi adeguatamente.** Non indossare abiti con parti svolazzanti o gioielli che potrebbero rimanere impigliati nelle parti in movimento. Si raccomanda di indossare calzature anti-scivolo quando si lavora all'esterno. Indossare una rete di protezione per capelli per contenere eventuali capelli lunghi.
- **Utilizzare attrezzatura di protezione.** Utilizzare occhiali di sicurezza. Utilizzare una maschera antipolvere per il viso se si lavora in ambienti polverosi.
- **Collegare l'attrezzatura per estrarre polvere.** Se l'utensile viene fornito con l'accessorio per l'estrazione e la raccolta della polvere, assicurarsi che tali accessori siano correttamente collegati e utilizzati.
- **Non sottoporre il cavo a stress.** Non tirare mai il cavo per scollarlo dalla presa. Tenere il cavo lontano da calore, olio e parti affilate.
- **Assicurare il pezzo sul quale si sta lavorando.** Ove possibile utilizzare staffe o morsetti per reggere il pezzo sul quale si sta lavorando. È più sicuro che utilizzare le proprie mani.
- **Non protendersi.** Mantenere sempre l'equilibrio e un punto di appoggio sicuro.
- **Svolgere sempre le dovute manutenzioni sull'utensile.** Tenere le lame affilate e pulite per garantire prestazioni migliori e sicure. Seguire le istruzioni per lubrificare e cambiare gli accessori. Ispezionare i cavi dell'utensile periodicamente e, se danneggiati, farli riparare da un centro servizi autorizzato. Ispezionare periodicamente la prolunga e sostituirla se danneggiata. Tenere i manici asciutti e puliti e rimuovere dagli stessi eventuali tracce di sporco e olio.
- **Scollegare gli utensili.** Quando non si utilizza l'utensile, prima di svolgere eventuale manutenzione e quando si cambiano accessori come lame,





Italiano

punte e dispositivi di taglio, scollegare gli utensili dall'alimentazione.

- **Rimuovere tutte le chiavi di regolazione.** Controllare sempre che le chiavi e i dispositivi di regolazione siano stati rimossi dall'utensile prima di avviarlo.
- **Evitare l'avvio accidentale.** Assicurarsi che l'interruttore si trovi su "off" (spento) prima di collegare l'utensile.
- **Utilizzare prolunghe per esterni.** Quando si utilizza l'utensile all'interno, utilizzare solo prolunghe adatte a tale utilizzo e contrassegnate come tali.
- **Conservare sempre la massima attenzione.** Esercitare sempre la massima attenzione in quello che si sta facendo e non mettere in funzione l'utensile se si è stanchi.
- **Controllare eventuali parti danneggiate.** Prima di utilizzare ulteriormente l'utensile, controllarlo attentamente per capire se funzionerà correttamente e svolgerà le funzioni per le quali è stato progettato. Controllare l'allineamento delle parti in movimento, l'eventuale blocco delle parti, le eventuali parti rotte, il montaggio ed altre condizioni che potranno influenzare le operazioni. Un paralame o un'altra parte danneggiata deve essere riparata o sostituita da un centro servizi autorizzato a meno che non sia indicato diversamente sul manuale d'istruzioni. Far sostituire gli interruttori difettosi da un centro servizi autorizzato. Non utilizzare l'utensile se non si accende o spegne.
- **Avvertenze** L'utilizzo di qualsiasi accessorio o dispositivo diverso da quelli raccomandati nel manuale d'istruzioni potrà causare rischi di gravi lesioni personali.
- **Far riparare l'utensile da personale qualificato.** Questo utensile elettrico rispetta le norme di sicurezza corrispondenti. Le riparazioni dovranno essere svolte da persone qualificate utilizzando le parti originali altrimenti ciò potrebbe causare gravi lesioni all'utente.

AVVERTENZE DI SICUREZZA DELLA PIALLATRICE

- Indossare sempre occhiali e cuffie di protezione quando si utilizza l'utensile elettrico.
- Indossare guanti durante la movimentazione del blocco di taglio e di materiale grezzo per ridurre il rischio di lesioni provocate da spigoli vivi.
- Se l'utilizzo dell'apparecchio produce polvere, indossare una maschera facciale o una maschera antipolvere.
- Accertarsi che tutte le viti di tenuta siano serrate prima di avviare la macchina.

- Arrestare sempre il motore e scollegarlo dalla presa di corrente prima di eseguire qualsiasi regolazione.
- Assicurarsi che tutte le protezioni siano correttamente posizionate prima del funzionamento.
- Prima di procedere all'utilizzo della piallatrice, leggere il manuale dell'operatore e acquisire dimestichezza con tutte le sue funzionalità.
- Non forzare l'utensile. Consentire all'utensile di applicare la velocità di avanzamento adeguata.
- Controllare periodicamente i rulli di avanzamento per evitare l'accumulo di polvere e trucioli nei componenti. Per prevenire contraccolpi, i rulli di avanzamento devono essere fissati saldamente al piano.
- Controllare e assicurarsi che i piani a rullo siano allineati con il piano di lavoro durante la piallatura del legno, e che i rulli possano ruotare liberamente durante la piallatura di pezzi lunghi.
- Utilizzare il prodotto esclusivamente per eseguire la piallatura di tavole di legno asciutto.
- Utilizzare legname integro, senza nodi cadenti e con il minor numero di nodi chiusi.
- Non rimanere in piedi davanti ai piani di entrata o uscita della macchina. Posizionarsi su un lato della piallatrice.
- Verificare che non vi sia alcun materiale estraneo come chiodi, viti, sassolini che potrebbero danneggiare le lame.
- Assicurarsi che le lame siano collegate correttamente come descritto nelle istruzioni.
- Usare cautela nel maneggiare le lame e la testa di taglio. Le lame sono taglienti e possono facilmente provocare lesioni alle mani.
- Attendere che la testa di taglio raggiunga la velocità massima prima di iniziare le operazioni di piallatura.
- Utilizzare lo spingipezzo anziché le dita per spingere il pezzo quando la sua estremità posteriore raggiunge le lame. Conservare lo spingipezzo sul piano di lavoro quando non in uso.
- Utilizzare lame debitamente affilate e curate.
- Utilizzare esclusivamente lame da taglio progettate per il prodotto.
- Assicurarsi che la pialla sia saldamente fissata prima dell'uso. Prestare particolare attenzione alla stabilità quando si piallano pezzi molto lunghi.
- Tenere le mani lontano dalla lama quando questa è in movimento.
- Non effettuare tagli di profondità superiore a 3 mm (1/8").





Italiano

- Indossare protezioni per gli occhi che soddisfino gli standard di sicurezza locali.
- Non rimuovere i pezzi inceppati fino al completo arresto della lama e fino a quando l'apparecchiatura non viene spenta.

⚠ AVVERTENZE

Non effettuare le seguenti operazioni:

- Arrestare la lavorazione (ad es. qualsiasi taglio durante l'avanzamento del pezzo)
- Piallare rientranze, tenoni e stampi
- Piallare pezzi di legno deformati che potrebbero causare un contatto inadeguato con il piano in entrata

BLOCCO ANTI-CONTRACCOLPO

Vedere la figura 2.

- Un blocco anti-contraccolpo è un dispositivo che, quando correttamente installato e curato, è progettato per impedire che il pezzo venga espulso verso la parte anteriore della lama durante un'operazione di piallatura.

EVITARE CONTRACCOLPI

- Utilizzare sempre l'impostazione della profondità della lama corretta.
Assicurarsi che il pezzo sia privo di nodi o fessurazioni prima di iniziare le operazioni di taglio. Eliminare eventuali nodi cadenti con un martello. Non eseguire la piallatura di pezzi che presentano nodi cadenti o fessurazioni.
- Utilizzare sempre lame pulite, affilate e correttamente impostate.
- Non utilizzare il prodotto con lame danneggiate.
- Per prevenire il bloccaggio della lama, posizionare adeguatamente il pezzo prima di iniziare le operazioni di piallatura.
- Durante le operazioni di piallatura, applicare una pressione costante. Non forzare l'utensile.
- Non piallare legname bagnato o deformato.
- Mantenere una presa salda con entrambe le mani e il corpo in una posizione di equilibrio in modo da poter reagire prontamente in caso di contraccolpo. Non rimanere in piedi direttamente in linea con il pezzo in lavorazione.

RISCHI RESIDUI

Anche quando il prodotto viene utilizzato come indicato, sarà ancora impossibile eliminare completamente alcuni fattori di rischio residuo. L'operatore dovrà prestare particolare ed ulteriore attenzione a questi punti per ridurre il rischio di gravi lesioni alla persona.

- Lesioni all'udito – Indossare cuffie di protezione adatte e limitare l'esposizione.
- Lesioni alla vista – Indossare occhiali o schermi di protezione quando si utilizza il prodotto.
- Lesioni all'apparato respiratorio da polvere causate da messa in funzione del prodotto – Indossare protezioni adeguate a seconda del tipo di polvere.

COLLEGAMENTO ELETTRI

Questo prodotto viene alimentato con un motore elettrico di precisione integrato. Dovrebbe essere collegata solo a un'alimentazione da 220~240V, AC (normale corrente domestica), 50 Hz. Non mettere in funzione con corrente diretta (DC). Una sostanziale caduta di voltaggio causerà una perdita di potenza e farà surriscaldare il motore. Se il prodotto non funziona quando viene collegato a una presa, controllare l'alimentazione elettrica.

VELOCITÀ E CABLAGGIO

La velocità senza carico dell'utensile è di circa 9,000 rpm. La velocità non è costante e diminuisce sotto carico o con un voltaggio più basso. Per il voltaggio, assicurarsi che l'impianto del luogo di lavoro sia compatibile con la potenza nominale del motore. Un impianto elettrico per la luce potrà non essere in grado di reggere un elettroutensile. Un cavo abbastanza pesante per una breve distanza sarà troppo leggero per una distanza più grande.

Un impianto elettrico in grado di reggere un elettroutensile potrà non essere in grado di reggerne contemporaneamente due o tre.

Se il cavo di alimentazione è danneggiato deve essere sostituito solo dalla ditta produttrice o dal centro servizi autorizzato per evitare eventuali rischi. Collegare il prodotto solo a una presa che abbia la stessa configurazione della spina.

Non utilizzare un adattatore con questo prodotto.

Per maggiore sicurezza ed affidabilità, effettuare tutte le riparazioni presso un Centro di Assistenza Autorizzato Ryobi. I circuiti e le prese utilizzati con la macchina devono essere dotati di protezioni mediante dispositivo di corrente residua (RCD).

Le prese sono disponibili con protezione RCD integrata che potrà essere utilizzata come misura di sicurezza. Se il prodotto viene utilizzato con un cavo di prolunga, assicurarsi che la connessione del cavo di alimentazione



Italiano

dell'utensile e la prolunga non siano messi a terra.

Eventuali apparecchi ausiliari dovranno essere sempre collegati a una presa a muro e non alla presa di una prolunga o al cavo dell'elettrotensile. Se non è disponibile una presa protetta, non utilizzare la macchina fino a quando non sarà stata modificata una presa o sarà disponibile una protezione alternativa. Questi dispositivi ausiliari di protezione sono disponibili presso il proprio rivenditore autorizzato.

ELENCO PEZZI SFUSI

Articolo	Descrizione	Q.tà
2	Manopola di regolazione dell'altezza di taglio	1
7	Manopola di regolazione dell'altezza di taglio	4
8	Piedini	4
9	Vite di bloccaggio della manopola di elevazione	1
10	Spingipezzo	1
11	Calibro di regolazione della lama	1
12	Chiave esagonale	2
13	Chiave aperta	1

MONTAGGIO

TRASPORTO

Vedere la figura 3.

- La piallatrice può essere trasportata utilizzando le maniglie posizionate su entrambi i lati del telaio. Assicurarsi che le prolunghie del piano siano chiuse prima di spostare la macchina.

INSTALLAZIONE DEI PIEDINI

- Fissare i piedini agli angoli nella parte inferiore della piallatrice.

MONTAGGIO DELLA PIALLATRICE SU UNA BASE IN LEGNO

Vedere la figura 5 - 6.

- Qualora la piallatrice non fosse montata su un apposito supporto, si suggerisce il montaggio su due assi di legno. Ciò assicurerà maggiore stabilità alla macchina.
- Scegliere due assi di legno conformi alle dimensioni illustrate nella figura. Montare la macchina sulla

superficie in legno.

- Utilizzare le quattro viti di bloccaggio della base (in dotazione) per montare la base della piallatrice sul legno.

POGGIAPEZZI

Vedere la figura 7.

- Il poggiapezzi presente sulla parte superiore della piallatrice consente una facile gestione dei pezzi da lavorare nelle successive operazioni di taglio. Il poggiapezzi può essere spinto agevolmente verso l'operatore per le operazioni di piallatura.

FUNZIONAMENTO

INTERRUTTORE ON/OFF (ACCESO/SPENTO)

Vedere la figura 8.

- Per accendere la macchina, premere il pulsante I. Per spegnerla, premere il pulsante O.

⚠ AVVERTENZE

Assicurarsi che l'interruttore sia in posizione OFF prima di inserire la spina in una presa elettrica.

INTERRUTTORE DI SOVRACCARICO DEL CIRCUITO

Vedere la figura 8.

- La macchina è provvista di un interruttore di protezione da sovraccarichi. In caso di sovraccarico, l'interruttore sposterà. In questo caso, attendere alcuni minuti e premere l'interruttore per reimpostare la macchina.

REGOLAZIONE DELLA PROFONDITÀ DI TAGLIO

Vedere la figura 9.

⚠ AVVERTENZE

Non asportare più di 3 mm per passata e non tentare di piallare tavole con una lunghezza inferiore a 127 mm (5"). Utilizzare sempre una visiera protettiva.

- Per regolare la profondità di taglio, ruotare la manopola di regolazione della testa di taglio nelle direzioni contrassegnate sulla parte superiore della piallatrice. La profondità di taglio è leggibile sulla scala di profondità di taglio. Un giro completo della manopola consente di regolare il blocco di taglio di 1,6 mm.
- Iniziare sempre le operazioni di piallatura praticando una piallatura leggera. La profondità di taglio nelle successive passate può essere aumentata di fino a



Italiano

3 mm, tuttavia è necessario tenere a mente che un taglio leggero crea una finitura più fine di un taglio più pesante.

- Lo spessore del pezzo che attraversa la pialla viene controllato dalla distanza della lama di taglio dal piano regolata dall'operatore.
 - Non piallare pezzi di legno con spessore inferiore a 7 mm.
 - Non piallare pezzi di legno con spessore maggiore di 153 mm (6").

REGOLARE LA PROFONDITÀ DELLA SCALA DI TAGLIO.

Vedere la figura 9.

Per l'utilizzo in sicurezza della piallatrice, leggere accuratamente la scala di profondità di taglio. Per regolare la scala di profondità di taglio, procedere come segue:

- Inserire una tavola per la piallatura.
Confrontare lo spessore misurato della tavola con lo spessore leggibile sulla scala di profondità di taglio.
- Se la lettura della scala di profondità di taglio non è corretta, svitare la vite che stringe il puntatore in plastica e regolare di conseguenza.
- Dopo aver regolato correttamente la scala di profondità di taglio, verificare la lettura eseguendo la piallatura di un pezzo di scarto. Dopo aver completato la piallatura, misurare lo spessore piallato e confrontarlo nuovamente con la lettura della scala. Le due misurazioni devono coincidere. Regolare nuovamente la scala di profondità di taglio per leggere lo spessore piallato, laddove necessario.

RIMOZIONE DELLE LAME

Vedere la figura 10 - 12.

Per rimuovere le lame, procedere come segue:

AVVERTENZE

Scollegare la piallatrice dalla rete elettrica prima di rimuovere le lame.

- Rimuovere lo scarico delle polveri rimuovendo le quattro viti esagonali a testa cilindrica presenti sullo stesso.
- Allentare la barra di blocco e la lama ruotando le viti di forzatura in senso orario. Le lame sono caricate a molla, pertanto verranno spinte in fuori allentando il gruppo.
- Estrarre prima la lama, quindi la barra di blocco della lama.

INSTALLAZIONE/SOSTITUZIONE DELLE LAME

Vedere la figura 12.

Per installare le lame, procedere come segue:

- Rimuovere le lame seguendo le istruzioni indicate nella sezione "RIMOZIONE DELLE LAME".
- Rimuovere eventuali detriti presenti nella testa di taglio.
- Montare la barra di blocco della lama nella fessura sulla testa di taglio.
- Montare la lama nella fessura sulla testa di taglio e serrare il gruppo della barra di blocco della lama girando le viti di forzatura in senso antiorario. Assicurarsi che la lama sia posizionata nella direzione corretta e centrata nella fessura.
- Impostare le altezze della lama in base alle istruzioni riportate in "IMPOSTAZIONE DELL'ALTEZZA DELLA LAMA". L'altezza della lama deve essere reimpostata ogni volta che vengono estratte le lame per qualsiasi ragione.
- Assicurarsi di riposizionare lo scarico delle polveri dopo aver installato le lame.

IMPOSTAZIONE DELL'ALTEZZA DELLA LAMA

Vedere la figura 13 - 14.

- Per ottenere una sporgenza della lama di 1,1 mm, posizionare il calibro di regolazione della lama sul gruppo di taglio con entrambe le guide fissate fermamente sulla lama.
- Allentare il gruppo ruotando le sette viti di forzatura in senso orario con una chiave aperta.
- Quando la lama viene premuta fino all'altezza desiderata dalle guide sul calibro, serrare nuovamente il gruppo ruotando le viti di forzatura in senso orario. Assicurarsi che le sette viti di forzatura sia serrate saldamente.

AVVERTENZE

Il bordo della lama è molto sensibile alla scheggiatura. Usare cautela nel maneggiare il calibro in prossimità delle lame per evitare di danneggiarle.

AVVERTENZE

Il gruppo deve essere serrato saldamente per evitare incidenti durante la piallatura.





Italiano

COLLEGAMENTO DEL SISTEMA DI RACCOLTA DELLE POLVERI

Vedere la figura 19.

La polvere provocata durante la lavorazione con questo utensile può essere dannosa alla salute. Rimuovere completamente le polveri depositatesi durante le operazioni di piallatura utilizzando un sistema di aspirazione come, ad esempio, un aspirapolvere.

Per collegare il sistema di raccolta delle polveri:

- Scollegare l'utensile.
- Collegare l'ugello del sistema per la raccolta polvere alla porta per la polvere.

Pulire frequentemente il tubo del sistema di raccolta delle polveri per evitare l'accumulo di polvere.

REGOLAZIONE

DISPORRE LA TESTA DI TAGLIO PARALLELAMENTE AL PIANO DI LAVORO

Vedere la figura 15 - 18.

Piallare un pezzo e misurarne lo spessore dopo la piallatura. Se gli spessori sono differenti su entrambi i lati del pezzo, procedere come segue:

Regolare l'albero del dispositivo di taglio per renderlo parallelo al piano di lavoro. Gli utensili utilizzati per la verifica sono illustrati nella figura 15. Utilizzare legno duro per realizzare un blocco di riscontro secondo le dimensioni indicate nella figura. Effettuare le regolazioni secondo le seguenti procedure.

- Rimuovere la manopola di regolazione dell'altezza e la copertura superiore e laterale rimuovendo le viti a brugola ed esporre i dadi di bloccaggio della regolazione dell'altezza.
- Allentare i dadi di bloccaggio della regolazione.
- Regolare i dadi di bloccaggio della regolazione dell'altezza verso l'alto o verso il basso come necessario per adattarsi al blocco di riscontro.
- Quando si raggiunge la regolazione dell'altezza desiderata, serrare i dadi di bloccaggio in posizione.
- Rimontare le coperture superiori e laterali e sostituire la manopola di regolazione dell'altezza.

Note: Rimuovere il blocco di riscontro prima di avviare la macchina.

Per piallatura a spessore s'intende il dimensionamento di un materiale ad un desiderato spessore, creando allo stesso tempo una superficie liscia parallela al lato opposto della tavola.

Per realizzare una piallatura a spessore ottimale è

necessario innanzitutto valutare la profondità di taglio in varie situazioni. È pertanto necessario considerare:

1. La larghezza del legno
2. La durezza del legno
3. L'umidità del legno
4. La linearità della tavola
5. La direzione della grana
6. La struttura della grana

Il modo in cui questi fattori possono influire sulla qualità del lavoro può essere acquisito esclusivamente con la pratica. Che si tratti della piallatura di un nuovo tipo di legno o di un problema insolito, è opportuno eseguire dei tagli di prova su materiale di scarto prima di lavorare il pezzo reale.

PER UNA PIALLATURA AGGIUNTIVA

Qualora sia necessaria un'ulteriore piallatura per ottenere lo spessore di finitura desiderato, ruotare la manopola di regolazione della testa di taglio di non più di 3 mm (in un dato momento) e completare un'altra passata.

⚠ AVVERTENZE

Non asportare più di 3 mm per passata e non tentare di piallare tavole con una lunghezza inferiore a 127 mm (5"). Utilizzare sempre una visiera protettiva.

MANUTENZIONE

⚠ AVVERTENZE

Assicurarsi sempre che il cavo dell'alimentazione sia stato rimosso dall'alimentazione principale prima di svolgere le dovute regolazioni, prima di lubrificare o quando si svolgono operazioni di manutenzione sul prodotto.

AFFILATURA DELLA LAMA

Se è necessario affilare nuovamente la lama, è possibile affilare solo la parte incuneata.

LUBRIFICAZIONE

- Si consiglia di pulire semplicemente la catena per lubrificare le catene a rulli utilizzate nelle operazioni medie e leggere. In caso di accumulo di polvere, trucioli di legno, ecc. avvolgere la catena in un sottile strato di olio facendo attenzione a non versare l'olio direttamente sulla catena. L'eccessiva lubrificazione tende a facilitare la creazione di polvere e trucioli e si inserisce negli ingranaggi della catena aumentando il tasso di usura e comportando la sostituzione



Italiano

prematura. Ciò vale per le catene di riduzione della velocità e le catene di regolazione dell'altezza.

- I cuscinetti sulla testa di taglio sono lubrificati e sigillati in fabbrica. Non necessitano di ulteriore attenzione.

MANUTENZIONE PERIODICA

- L'accumulo di segatura e di altri detriti può causare una piallatura inaccurata. È obbligatorio nonché altamente consigliato eseguire operazioni di pulizia periodiche.
- Gli elementi di montaggio chiusi, come le barre di bloccaggio e le fessure della testa di taglio, devono essere puliti utilizzando una spazzola per rimuovere i corpi estranei presenti. Quindi riposizionare tutte le parti nelle rispettive posizioni dopo averle imbevute leggermente nell'olio.
- Rimuovere la resina e altri accumuli dai rulli di avanzamento e dal piano utilizzando un solvente non infiammabile.

TRASPORTO E RIPONIMENTO

Durante il trasporto della macchina, scollegare il cavo di alimentazione e smontare la macchina. La piallatrice può essere trasportata utilizzando le maniglie posizionate su entrambi i lati del telaio. Riporre il prodotto in un luogo sicuro non accessibile ai bambini.

Pulire il prodotto con una spazzola e un aspirapolvere prima di riporlo.

TUTELA DELL'AMBIENTE



Riciclare le materie prime anziché gettarle tra i rifiuti domestici. Per tutelare l'ambiente, l'apparecchio, gli accessori e gli imballaggi devono essere smaltiti separatamente.

SIMBOLO



Allarme di sicurezza



Conformità CE



Leggere attentamente le istruzioni prima di utilizzare il prodotto.



Utensile di Classe II, doppio isolamento



Indossare cuffie di protezione



Indossare sempre occhiali di protezione.



Direzione della rotazione lama



Profondità piallatura massima per passata



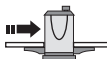
Lunghezza piallatura minima



Larghezza piallatura massima



Altezza piallatura



Velocità di avanzamento



Lunghezza lama



Abbassa la lama



Solleva la lama



I prodotti elettrici non devono essere smaltiti con i rifiuti domestici. Vi sono strutture per smaltire tali prodotti. Informarsi presso il proprio Comune o rivenditore di sicurezza per smaltire adeguatamente tali rifiuti.



Italiano

RISOLUZIONE DEI PROBLEMI

Problema	Probabile causa	Soluzione
La fibra è lanuginosa.	<ol style="list-style-type: none"> 1. Il legno utilizzato per la piallatura ha un elevato contenuto di umidità. 2. Le lame sono danneggiate. 	<ol style="list-style-type: none"> 1. Il legno è secco. 2. Affilare le lame.
La fibra è strappata.	<ol style="list-style-type: none"> 1. Il taglio è troppo pesante. 2. Le lame eseguono il taglio sulla fibra. 3. Le lame sono danneggiate. 	<ol style="list-style-type: none"> 1. Verificare la profondità di taglio adeguata. 2. Alimentare il pezzo con la fibra o capovolgere il pezzo da lavorare. 3. Affilare le lame.
La fibra è irregolare / rialzata.	<ol style="list-style-type: none"> 1. Le lame sono danneggiate. 2. Il taglio è troppo pesante. 3. Il contenuto di umidità è troppo elevato. 4. I cuscinetti della testa di taglio sono danneggiati. 	<ol style="list-style-type: none"> 1. Affilare le lame. 2. Verificare la profondità di taglio adeguata. 3. Il legno è secco. 4. Sostituire i cuscinetti.
La profondità di taglio è irregolare da un lato all'altro.	<ol style="list-style-type: none"> 1. La sporgenza della lama non è uniforme. 2. La testa di taglio non è allineata al piano della piallatrice. 	<ol style="list-style-type: none"> 1. Regolare la sporgenza della lama. 2. Allineare la testa di taglio al piano.
Lo spessore della tavola non corrisponde alla profondità della scala di taglio.	<ol style="list-style-type: none"> 1. La profondità della scala di taglio non è corretta. 	<ol style="list-style-type: none"> 1. Regolare la profondità della scala di taglio.
La catena salta.	<ol style="list-style-type: none"> 1. Le ruote dentate non sono allineate correttamente. 2. Le ruote dentate sono usurate. 	<ol style="list-style-type: none"> 1. Allineare le ruote dentate. 2. Sostituire la ruota dentata.
L'utensile non si accende/riavvia.	<ol style="list-style-type: none"> 1. L'utensile non è collegato alla rete elettrica. 2. Il motore è guasto. 3. Il cavo è allentato. 4. La reimpostazione da sovraccarico non è stata completata. 5. L'avviatore del motore è guasto. 	<ol style="list-style-type: none"> 1. Controllare la fonte di alimentazione. 2. Controllare il motore. 3. Rivolgersi ad un servizio di assistenza autorizzato per controllare il motore. 4. Attendere che la macchina si raffreddi e riavviare. 5. Rivolgersi ad un servizio di assistenza autorizzato per controllare l'avviatore.
Cortocircuiti ripetuti causano l'arresto del motore.	<ol style="list-style-type: none"> 1. Il cavo di prolunga è troppo lungo o troppo sottile. 2. Le lame sono troppo danneggiate. 3. La tensione è bassa. 	<ol style="list-style-type: none"> 1. Utilizzare un cavo di prolunga più corto o spesso. 2. Affilare o sostituire le lame. 3. Controllare la tensione.
Scarso avanzamento del pezzo.	<ol style="list-style-type: none"> 1. Il piano della piallatrice è sporco. 2. Il rullo di avanzamento è danneggiato. 3. Le ruote dentate sono danneggiate. 4. L'ingranaggio non funziona correttamente. 	<ol style="list-style-type: none"> 1. Pulire il passo e gli eventuali residui e lubrificare il piano della piallatrice. 2. Sostituire il rullo di avanzamento. 3. Sostituire la ruota dentata. 4. Controllare l'ingranaggio.
Il pezzo in lavorazione si è inceppato.	<ol style="list-style-type: none"> 1. L'altezza impostata della lama non è adeguata. 	<ol style="list-style-type: none"> 1. Impostare la lama all'altezza corretta.





Nederlands

BESCHRIJVING

1. Bescherming bovenzijde
2. Hoogteverstellingshendel van de snijkop
3. Schaal voor snediediepte
4. Aan-/uitschakelaar
5. Overbelastingsschakelaar
6. Tafelverlenging
7. Borgschroeven voor het onderstel
8. Voetjes
9. Borgschroef hefknop
10. Duwstok
11. Bladinstellingsknop
12. Inbusleutel
13. Steek
14. Plastic aanwijzer
15. Stofkoker
16. Zeskantige inbusbouten
17. Afdrukbouten
18. Bladinstellingsknop
19. Slotbalk
20. Borgschroeven
21. Zaagblads
22. Veer
23. Inbusbouten
24. Hoogteverstellingsmoer

Bij het ontwerp van uw vandiktebank hebben veiligheid, prestaties en betrouwbaarheid de hoogste prioriteit gekregen.

BEOOGD GEBRUIK

De schaafmachine is bedoeld voor het schaven van hout. Gebruik dit product niet op een andere manier dan deze die in het voorgeschreven gebruik werd beschreven.

ALGEMENE VEILIGHEIDSWAARSCHUWINGEN

WAARSCHUWING

Wanneer u elektrisch gereedschap gebruikt, moeten de basisveiligheidsvoorzieningen altijd worden gevolgd om het risico op brand, elektrische schokken en letsels te verminderen. Lees alle instructies voor u probeert het product te gebruiken en bewaar deze instructies.

- **Bescherming tegen elektrische schokken.** Vermijd lichaamscontact met geaarde oppervlakken (b.v. buizen, radiatoren, kookfornuizen, koelkasten).
- **Houd andere personen weg.** Betrek geen andere personen, in het bijzonder kinderen, bij het werk, laat hen de machine of het verlengsnoer niet aanraken en houd hen weg van het werkgebied.
- **Berg niet-gebruikte werktuigen op.** Wanneer u het gereedschap niet gebruikt, moeten deze op een droge, afgesloten plaats worden bewaard, buiten het bereik van kinderen.
- **Forceer de machine niet.** Het zal de taak beter en veiliger uitvoeren aan het tempo waarvoor het werd ontworpen.
- **Gebruik het juiste gereedschap.** Forceer licht gereedschap niet om taken van zwaar gereedschap uit te voeren. Gebruik het gereedschap niet voor doeleinden waarvoor het niet is bedoeld; gebruik bijvoorbeeld geen cirkelzaagmachines om boomtakken of houtblokken te zagen.
- **Draag aangepaste kleding.** Draag geen loszittende kledij of juwelen, zij kunnen in de bewegende delen vaststraken. Antislipschoenen zijn aangewezen voor werk buitenhuis. Draag haarbescherming om lang haar samen te houden.
- **Gebruik beschermuitrusting.** Gebruik een veiligheidsbril. Gebruik een gezichts- of stofmasker als de werkomstandigheden stof veroorzaken.
- **Verbind de stofafzuiginstallatie.** Als gereedschap van stofafzuiging- en opvanginstallatie is voorzien, zorg er dan voor dat deze zijn verbonden en goed worden gebruikt.
- **Misbruik het snoer niet.** Trek nooit aan het snoer om het uit de contactdoos te trekken. Houd het snoer weg van hitte, olie en scherpe randen.
- **Maak het werkstuk vast.** Gebruik klemmen of een bankschroef om het werkstuk vast te houden. Het is veiliger dan uw hand te gebruiken.
- **Overrek u niet.** Houd steeds een goed evenwicht en sta stevig met beide voeten op de grond.
- **Onderhoud de werktuigen met zorg.** Houd snijgereedschap scherp en schoon voor betere en veiligere prestaties. Volg de instructies voor het smeren en vervangen van accessoires. Inspecteer regelmatig de gereedschapsnoeren en laat deze, indien beschadigd, door een geautoriseerde onderhoudsdienst repareren. Inspecteer de verlengsnoeren regelmatig en vervang deze indien beschadigd. Houd de handvatten droog, schoon en vrij van olie en vet.
- **Ontkoppel de werktuigen.** Ontkoppel het gereedschap van het stroomnet wanneer u





Nederlands

accessoires, zoals maaibladen, boorstiften en snijders niet gebruikt, onderhoudt of vervangt.

- **Verwijder sleutels.** Maak er een gewoonte van om te controleren of sleutels van het gereedschap zijn voor u het inschakelt.
- **Vermijd ongewild starten.** Zorg ervoor dat de schakelaar in de uit-stand (off) staat wanneer u het met het stroomnet verbindt.
- **Verlengsnoeren voor buitenshuis gebruik.** Wanneer het gereedschap buitenshuis wordt gebruikt, gebruikt dan uitsluitend verlengsnoeren die geschikt en gemarkeerd zijn voor buitenshuis gebruik.
- **Blijf alert.** Kijk naar wat u doet, gebruik uw gezond verstand en gebruik het werktuig niet wanneer u moe bent.
- **Controleer beschadigde onderdelen.** Voor u het werktuig verder gebruikt, moet u grondig controleren om te zien dat het goed zal functioneren en volgens het voorgeschreven gebruik zal werken. Controleer de lijning van de bewegende delen, controleer of bewegende delen niet verstrikt zijn geraakt, controleer of defecte onderdelen, bevestigingsbeugels of andere delen die de werking in gevaar kunnen brengen. Ieder onderdeel dat is beschadigd, moet correct worden gerepareerd of vervangen door een geautoriseerd onderhoudscentrum, tenzij in de gebruiksaanwijzing anders is vermeld. Laat defecte schakelaars door een geautoriseerd onderhoudscentrum vervangen. Gebruik het gereedschap niet als de aan-/uitschakelaar het gereedschap niet aan of uit schakelt.
- **Waarschuwing.** Het gebruik van een andere accessoire of hulpstuk dan in deze handleiding beschreven, kan risico inhouden voor persoonlijk letsel.
- **Laat uw gereedschap door een gekwalificeerd persoon repareren.** Deze elektrische machine is gefabriceerd volgens de geldende veiligheidsregels. Laat reparaties alleen door een gekwalificeerd persoon met originele vervangonderdelen uitvoeren. Anders kan dit leiden tot aanzienlijk gevaar voor de gebruiker.

VEILIGHEIDSWAARSCHUWING VAN DE SCHAAFMACHINE

- Draag bij het gebruik van het elektrische gereedschap altijd oog- en gehoorbescherming.
- Draag handschoenen bij het hanteren van het snijblok en het ruwe materiaal om verwondingen vanwege scherpe randen te verminderen.
- Draag een gezichtsmasker of een stofmasker bij werkzaamheden waarbij stofdeeltjes vrijkomen.

- Controleer of alle borgschroeven goed zijn aangedraaid voordat u de machine start.
- Stop altijd de motor en trek de stekker uit het stopcontact voordat u wijzigingen doet.
- Zorg ervoor dat alle beschermkappen zijn geplaatst voordat u de machine start.
- Lees de gebruikshandleiding zorgvuldig door, om vóór gebruik vertrouwd te raken met de machine.
- Duw het werk niet door de machine. Laat het product de juiste voedingsnelheid aannemen.
- Controleer af en toe de voedingsrollers om zeker te zijn dat er geen zaagsel en houtsnippers tussen onderdelen geklemd zitten. Als de rollers niet goed vastzitten, zullen de voedingsrollen het hout niet stevig tegen het bed houden, waardoor terugslag ontstaat.
- Controleer dat de rollertafels bij het schaven van hout op hetzelfde vlak zijn als de werktafel en dat de rollers vrij kunnen draaien als u lange werkstukken schaaft.
- Gebruik het product uitsluitend voor het schaven van droge houtplanken.
- Gebruik goed hout, zonder losse knoesten en zo min mogelijk vaste knoesten.
- Ga nooit direct in de lijn van de invoer- of uitvoerband staan. Ga altijd aan één kant van de machine staan.
- Zorg ervoor dat het werkstuk vrij is van spijkers, schroeven, steentjes en andere vreemde objecten die de messen kunnen beschadigen.
- Zorg ervoor dat de messen goed zijn bevestigd, zoals is beschreven in de instructies.
- Wees voorzichtig bij het beetpakken van de messen en de snijkop. De messen zijn scherp en kunnen gemakkelijk in uw hand snijden.
- Laat de snijkop vóór gebruik op volle snelheid komen.
- Gebruik de duwstok in plaats van uw handen om het werkstuk te duwen zodra het uiteinde bij de messen komt. Buiten gebruik moet de duwstok op de werktafel worden bewaard.
- Gebruik goed geslepen en onderhouden messen.
- Gebruik alleen snijmessen die voor het product zijn ontworpen.
- Controleer vóór gebruik of de schaafmachine stevig is gemonteerd. Besteed bij het schuren van lange stukken extra aandacht aan stabiliteit.
- Hou uw handen uit de buurt van de bewegende zaag.
- Zaag niet dieper dan 3mm (1/8").
- Draag oogbescherming die voldoet aan uw plaatselijke normen voor veiligheid.
- Verwijder vastgelopen stukken pas als de zaag is gestopt en de voeding is UITgeschakeld.



Nederlands

⚠ WAARSCHUWING

Voer nooit de volgende handelingen uit:

- Gestopt werk (d.w.z. een schaafsneede die niet over de volledige lengte van het werkstuk gaat)
- Het schaven van inkepingen, deuvels of vormen
- Het schaven van slecht gebogen hout met onvoldoende contact met de invoertafel

ANTI-TERUGSLAGPALLEN

Zie afbeelding 2.

- Een anti-terugslagpal is een apparaat die, wanneer goed geïnstalleerd en onderhouden, is ontworpen om het werkstuk te stoppen als het tijdens de bewerking wordt teruggeslagen naar de voorkant van het mes.

VERMIJDEN VAN TERUGSLAG

- Gebruik altijd de juiste diepte-instelling van het mes. Inspecteer het werk voordat u begint op knoesten of spijkers. Klop losse knoesten uit met een hamer. Snij nooit in een losse knoest of spijker.
- Gebruik altijd schone, scherpe en goed ingestelde messen.
- Gebruik nooit botte messen bij het product.
- Om afknippen van het mes te voorkomen moet u het werkstuk voordat u begint goed ondersteunen.
- Gebruik een gelijkmatige druk bij het schaven. Druk het product nooit.
- Nooit nat of gekromd hout schaven.
- Houd uw werkstuk altijd stevig vast met beide handen, houd uw lichaam in balans en wees klaar om terugslag te weerstaan. Ga nooit in het pad van het hout staan.

RESTRISICO'S

Zelfs wanneer het product zoals voorgeschreven wordt gebruikt, blijft het onmogelijk om alle restrisico's te voorkomen. De gebruiker moet vooral extra op deze punten letten om het risico op ernstig letsel te verminderen.

- Beschadiging aan het gehoor – Draag gehoorbescherming om blootstelling aan lawaai te beperken.
- Gezichtsbescherming – Draag een veiligheidsbril wanneer u het product gebruikt.
- Letsels aan de luchtwegen ten gevolge van stof dat door de werking van het product wordt ingeademd. – Draag geschikte bescherming afhankelijk van het type stof.

ELEKTRISCHE VERBINDING

Dit product wordt aangedreven door een precisie gebouwde elektrische motor. Het moet worden verbonden met een stroomtoevoer van 220~240V, uitsluitend AC (normale huishoudstroom), 50 Hz. Gebruik dit product niet op gelijkstroom (DC). Een belangrijke spanningsval zal leiden tot vermogensverlies en de motor zal oververhitten. Als het product niet werkt wanneer het met een wandcontactdoos is verbonden, controleert u de stroomvoorziening opnieuw.

SNELHEID EN BEKABELING

Het onbelast toerental van dit werktuig bedraagt ongeveer 9000 tpm. Deze snelheid is niet constant en vermindert onder een lading of bij lagere spanning. Voor spanning, de bekabeling in een winkel is net zo belangrijk als de nominale paardenkracht van een motor. Een snoer dat uitsluitend geschikt is voor lampen kan onmogelijk de motor van elektrisch gereedschap dragen. Een snoer dat zwaar genoeg is voor een korte afstand zal te licht zijn voor een grote afstand. Een snoer dat één gereedschapswerktuig kan ondersteunen is misschien niet in staat om twee of drie gereedschapswerktuigen te ondersteunen.

Als het stroomsnoer beschadigd is, mag deze uitsluitend worden vervangen door de fabrikant of door een geautoriseerd onderhoudscentrum om risico te voorkomen.

Verbind het product uitsluitend met een wandcontactdoos met dezelfde confi guratie als de stekker. Gebruik geen adapter met dit product.

Alle reparaties moeten worden uitgevoerd door een Erkend RYOBI Servicecentrum teneinde de veilige en betrouwbare werking van de machine te garanderen.

Op de circuits of stopcontacten van het product moet een aardlekschakelaar worden gebruikt. Stekkers met ingebouwde aardlekbeveiliging zijn beschikbaar en kunnen worden gebruikt als veiligheidsvoorziening.

Als het product wordt gebruikt met een verlengsnoer, moet u ervoor zorgen dat de aansluiting van het netsnoer van het gereedschap en het verlengsnoer niet op de grond ligt. Bijkomende apparaten moeten altijd met een wandcontactdoos worden verbonden en niet met de verbinding van een verlengsnoer en het stroomsnoer van het werktuig.

Als er geen geaard stopcontact beschikbaar is, mag het product niet worden gebruikt totdat er een stopcontact kan worden gewijzigd of extra bescherming kan worden geregeld. Deze bijkomende beschermvoorzieningen zijn beschikbaar bij uw plaatselijke handelaar.

Nederlands

LOSSE ONDERDELENLIJST

Item	Beschrijving	Aantal
2	Hoogteverstellingshendel van de snijkop	1
7	Borgschroeven voor het onderstel	4
8	Voetjes	4
9	Borgschroef hefknop	1
10	Duwstok	1
11	Bladinstellingsknop	1
12	Inbussleutel	2
13	Steek	1

MONTAGE

DE SCHAAFMACHINE VERPLAATSEN

Zie afbeelding 3.

- Het product kan worden gedragen aan de zijgrepen op het frame. Zorg ervoor dat de tafelerlengstukken zijn gesloten voordat u het product verplaatst.

INSTALLATIE VAN DE VOETJES

- Bevestig de voetjes op de hoeken onderop het product.

DE SCHAAFMACHINE MONTEREN OP EEN HOUTEN ONDERSTEL

Zie figuren 5-6.

- Wanneer de schaafmachine niet op een vlak onderstel is gemonteerd, wordt aanbevolen om het te monteren op twee stukken hout. Dit zorgt voor maximale stabiliteit.
- Kies twee stukken hout volgens de maten die zijn getoond in de afbeelding. Monteer het product op het houtoppervlak.
- Gebruik de vier borgschroeven voor het onderstel (meegeleverd) om het vlakke onderstel op het hout te monteren.

VOORRAADSTEUN

Zie afbeelding 7.

- De voorraadsteun bovenop de schaafmachine zorgt voor handige opslag van voorraad, voor opeenvolgende schaafbewerkingen. Voorraad die bovenop de machine is geplaatst kan eenvoudig naar de gebruiker worden getrokken om te schaven.

BEDIENING

AAN-JUITSCHAKELAAR

Zie afbeelding 8.

- Druk op de knop I om het product in te schakelen. Druk op de knop O om het product uit te schakelen.

⚠ WAARSCHUWING

Controleer altijd of de schakelaar in de stand UIT staat voordat u de schaafmachine aansluit op de stroombron.

OVERBELASTINGSSCHAKELAAR

Zie afbeelding 8.

- De machine is uitgerust met een overbelastingsschakelaar voor overbelastingsbeveiliging. Als er een overbelasting optreedt zal de schakelaar eruit springen. Als dit gebeurt moet u enkele minuten wachten en de schakelaar indrukken om de machine te herstarten.

DIEPTE VAN DE ZAAGSNEDE AANPASSEN

Zie afbeelding 9.

⚠ WAARSCHUWING

Schaaf nooit meer dan 3 mm in per doorgang en probeer nooit een plank te schaven die korter is van 127 mm (5"). Draag altijd gezichtsbescherming.

- Om de diepte van de snede aan te passen draait u de hoogteverstellingshendel van de snijkop in de richtingen die bovenop de schaafmachine zijn aangegeven. De diepte van de snedeverstelling is af te lezen op de schaal voor snedediepte. De verstellingsgradatie is 1,6 mm per omwenteling van de handel.
- Begin het werk altijd met een lichte schaafsnede. De diepte van de snede voor latere doorgangen kan worden verhoogd tot 3 mm, maar vergeet niet dat een lichte snede voor een fijnere afwerking zorgt dan een zwaardere snede.
- De dikte van het hout dat door de schaafmachine gaat wordt geregeld door de afstand waarmee u het snijmes van de tafel instelt.
 - Schaaf geen hout dat dunner is dan 7 mm.
 - Schaaf geen hout dat dikker is dan 153 mm (6").

VERSTEL DE DIEPTE SCHAAL VOOR DE SNEDEDIEPTE.

Zie afbeelding 9.



Nederlands

Voor de veilige werking van uw schaafmachine is het zeer belangrijk dat de schaal voor de snedediepte nauwkeurig meet. Voer de volgende stappen uit om de schaal voor de snedediepte te verstellen:

- Voer een plank in om te schaven.
Vergelijk de gemeten dikte van de plank met de meting op de schaal voor de snedediepte.
- Als de meting op de schaal voor de snedediepte onjuist is, moet u de schroef losmaken die de plastic aanwijzer vastmaakt en deze dienovereenkomstig aanpassen.
- Als u de schaal voor de snedediepte goed het afgesteld moet u de meting testen door een stuk schroothout te schaven. Meet na het schaven de schaafdikte en controleer dat tegen de meting van de schaal. De twee metingen moet hetzelfde zijn. Pas indien nodig de schaal voor de snedediepte opnieuw aan de geschaafde dikte aan.

HET VERWIJDEREN VAN DE SCHAAFMESSEN.

Zie figuren 10-12.

Voor het verwijderen van de messen volgt u onderstaande stappen:

WAARSCHUWING

Haal, voordat u de messen verwijdert, de stekker uit het stopcontact.

- Verwijder de stofkoker door de vier zeskantige inbusbouten te verwijderen.
- Maak de slotbalk en het mes los door de afdrukbouten met de klok mee te draaien. De messen zijn geveerd en zullen dus naar buiten worden gedrukt als module wordt losgemaakt.
- Haal eerst het mes eruit en vervolgens de messlotbalk.

MONTEREN/VERVANGEN VAN DE SCHAAFMESSEN.

Zie afbeelding 12.

Voor het monteren van de messen volgt u onderstaande stappen:

- Verwijder de messen conform de instructies in "VERWIJDEREN VAN DE SCHAAFMESSEN".
- Reinig al het vuil van de snijkop van de schaafmachine.
- Plaats de messlotbalk in de sleuf op de snijkop.
- Plaats het mes in de sleuf op de snijkop en maak de slotbalk en het mes vast door de afdrukbouten tegen de klok in te draaien. Controleer of het mes in de juiste richting staat en in de sleuf is gecentreerd.
- Stel de meshoogten in conform de instructies in "INSTELLEN VAN DE MESHOOGTE". De meshoogte

moet telkens worden ingesteld als de messen om wat voor reden dan ook worden uitgenomen.

- Zorg ervoor dat u de stofkoker vervangt nadat de messen zijn geïnstalleerd.

INSTELLEN VAN DE MESHOOGTE

Zie figuren 13-14.

- Voor een mesprojectie van 1,1 mm, moet de mesinstellingsmeter op de snijkop met beide geleidingselementen stevig tegen het mes rusten.
- Maak de module los door met een steeksleutel de zeven afdrukbouten met de klok mee te draaien.
- Als het mes door de geleidingselementen op de meter tot de gewenste hoogte is gedrukt, moet de module opnieuw worden vastgedraaid door de afdrukbouten tegen de klok in te draaien. Controleer dat alle zeven afdrukbouten vast zijn aangedraaid.

WAARSCHUWING

De mesrand is zeer gevoelig voor afsplinteren. Wees voorzichtig als de meter verplaatst bij de messen, om beschadigingen te voorkomen.

WAARSCHUWING

De module moet stevig worden vastgezet om ongelukken tijdens het schaven te voorkomen.

AANSLUITEN VAN EEN STOFOPVANGSYSTEEM

Zie afbeelding 19.

Stof dat vrijkomt tijdens het werken vormt vaak een gevaar voor de gezondheid. Gebruik een stofabsorptiesysteem en verwijder neergeslagen stof zorgvuldig, bijv. met een stofzuiger.

Voor het aansluiten van een stofopvangsysteem:

- Trek de machine uit de contactdoos.
- Sluit het mondstuk van het stofverzamelsysteem aan de stofpoort aan.

Reinig de slang van het stofopvangsysteem regelmatig om stofophoping te voorkomen.

AFSTELLING

DE SNIJKOP EN WERKTAFEL PARALLEL LATEN WERKEN

Zie figuren 15-18.

Schaaf een werkstuk en meet de dikte na de snede. Als de diktes aan beide zijden van het werkstuk verschillen, voer dan de volgende stappen uit:





Nederlands

Stel de snijas en de werktafel af zodat ze parallel lopen. De gereedschappen die worden gebruikt voor de controle zijn weergegeven in figuur 15. Gebruik hardhout om een meetblok te maken, conform de maat die is getoond in de figuur. Maak de aanpassingen volgens de volgende procedures.

- Verwijder de hoogteverstellingshendel en beide kappen aan de bovenkant en zijkanten, door de inbus Schroeven te verwijderen, om de hoogteverstellingsmoeren bloot te leggen.
- Maak de verstellingsmoeren los.
- Verstel de hoogteverstellingsmoeren omhoog of omlaag bij, volgens het meetblok.
- Wanneer de gewenste hoogte-instelling is bereikt moeten de borgmoeren worden vastgezet.
- Plaats de kappen aan de bovenkant en zijkanten terug en monteer de hoogteverstellingshendel.

OPMERKING: Verwijder voordat u de machine start het meetblok.

Vandikteschaven is het schaven van het materiaal tot een gewenste dikte, terwijl parallel aan de tegengestelde zijde van de plank een glad oppervlak wordt gecreëerd.

De kunst van het vandikteschaven bestaat voornamelijk uit een goed beoordelingsvermogen over de diepte van de snede in verschillende situaties. U moet rekening houden met:

1. De breedte van het hout
2. De hardheid van het hout
3. De vochtigheid van het hout
4. De rechtheid van de plank
5. De nerfrichting
6. De nerfstructuur

Hoe deze factoren de kwaliteit kunnen beïnvloeden kan alleen worden geleerd door ervaring. Wanneer u werkt met een nieuw soort hout of een stuk hout met ongewone problemen, moet u altijd testsneden maken op schrootmateriaal voordat u aan het daadwerkelijke stuk gaat werken.

VOOR AANVULLEND SCHAVEN

Als er meer moet worden geschaafd voor de gewenste dikte afwerkingsdikte, mag de snijkop niet meer dan 3 mm met de hand worden versteld (op elk moment) en moet het hout opnieuw door de machine worden gehaald.

WAARSCHUWING

Schaaf nooit meer dan 3 mm in per doorgang en probeer nooit een plank te schaven die korter is van 127 mm (5"). Draag altijd gezichtsbescherming.

ONDERHOUD

WAARSCHUWING

Zorg er altijd voor dat de stekker uit de contactdoos is verwijderd voor u het werktuig afstelt, smeert of onderhoudswerken aan het product uitvoert.

HET OPNIEUW SLIJPEN VAN HET MES

Als het mes opnieuw moet worden geslepen, mag alleen het ingeklemd gebied worden geslepen.

SMERING

- De aanbevolen smering voor rolkettingen die worden gebruikt in middelhoge tot lage werking, is om de ketting simpelweg schoon te vegen. Wanneer er bovenmatig grote opbouw van stof of houtkrullen, etc. is, moet de ketting worden gecoat met een dun laagje olie, maar de olie mag nooit direct op de ketting worden gegoten. Teveel olie kan de ophoping van stof of houtkrullen versnellen en werkt ze in de kettingschakels, wat leidt tot verhoogde slijtage en voortijdige vervanging. Dit geldt zowel voor de snelheidsreductie- als hoogteverstellingskettingen en de verhogingsschroeven.
- De lagers op de snijkop zijn vanuit de fabriek gesmeerd en verzegeld. Ze vereisen geen verdere aandacht.

PERIODIEK ONDERHOUD

- De ophoping van zaagsel en ander vuil kan veroorzaken dat uw machine onnauwkeurig schaaft. Periodieke reiniging is verplicht voor nauwkeurig schaven en wordt sterk aanbevolen.
- Nauwsluitende onderdelen, zoals de slotbalken en de snijkopsleuven op de schaafmachine moeten met een borstel worden gereinigd met een borstel; verwijder vastklevende materialen. Vervang daarna alle onderdelen in hun respectievelijke posities die licht zijn bevochtigd met olie.
- Verwijder hars en andere ophopingen van de voedingsrollers en de tafel met een niet-brandbaar oplosmiddel.

TRANSPORT EN OPSLAG

Bij het transporteren van het product mag het stroomskoer nooit worden losgekoppeld en mag het product niet gedemonteerd worden. Het product moet worden gedragen aan de zijgrepen op het frame. Bewaar het product op een veilige plaats die niet toegankelijk is voor kinderen.

Reinig het product met behulp van een borstel en



Nederlands

stofzuiger voor u het opbergt.

MILIEUBESCHERMING



Zorg dat grondstoffen worden gerecycleerd in plaats van weggegooid als afval. Om het milieu te beschermen dient de machine, de accessoires en de verpakking gesorteerd bij een erkend recyclingcentrum te worden aangeleverd.

SYMBOOL



Veiligheidswaarschuwing



EG conformiteit



Lees zorgvuldig de instructies voor u het product start.



Klasse II, dubbelgeïsoleerd



Draag gehoorbescherming



Draag altijd gezichtsbescherming.



Richting van de maaibladrotatie



Maximale schaafdiepte per doorgang



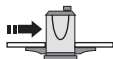
Minimale schaaf lengte



Maximale schaafbreedte



Schaafhoogte



Voedingssnelheid



Lengte van het zaagmes



Laat de zaag zakken



Hef de zaag op



Elektrisch afval mag niet samen met ander huishoudafval worden weggegooid. Gelieve te recyclen indien de mogelijkheid bestaat. Neem contact op met uw gemeente of handelaar om advies te krijgen over recycling.

Nederlands

PROBLEEM OPLOSSEN

Probleem	Mogelijke oorzaak	Oplossing
Nerf is wazig.	<ol style="list-style-type: none"> Hout schaven met een hoog vochtgehalte. Messen zijn bot. 	<ol style="list-style-type: none"> Droog het hout. Slijp de messen.
Nerf is gescheurd.	<ol style="list-style-type: none"> De snede is te zwaar. De messen snijden tegen de nerfrichting in. Messen zijn bot. 	<ol style="list-style-type: none"> Bepaal de juiste diepte van de snede. Voer het werkstuk met de nerfrichting in of draai het werkstuk om. Slijp de messen.
Nerf is ruw/verhoogd.	<ol style="list-style-type: none"> Messen zijn bot. Snede is te zwaar. Vochtgehalte is te hoog. Lagers van de snijkop zijn beschadigd. 	<ol style="list-style-type: none"> Slijp de messen. Bepaal de juiste diepte van de snede. Droog het hout. Vervang de lagers.
Ongelijke snedediepte van zijkant tot zijkant.	<ol style="list-style-type: none"> Mesprojectie is niet uniform. Snijkop is niet genivelleerd met schaaftbed. 	<ol style="list-style-type: none"> Pas de mesprojectie aan. Nivelleer de snijkop met de tafel.
De dikte van de plank komt niet overeen met de schaal voor de snedediepte.	<ol style="list-style-type: none"> De schaal voor snedediepte is onjuist. 	<ol style="list-style-type: none"> Verstel de diepte schaal voor de snedediepte.
De ketting springt.	<ol style="list-style-type: none"> De tandwielen zijn niet goed uitgelijnd. De tandwielen zijn versleten. 	<ol style="list-style-type: none"> Lijn de tandwielen uit. Vervang het tandwiel.
Het gereedschap start niet.	<ol style="list-style-type: none"> Het gereedschap is niet aangesloten op het stopcontact. Motorstoring. Draad is los. Overbelastingsherstel is mislukt. Storing van de startmotor. 	<ol style="list-style-type: none"> Controleer de voedingsbron. Controleer de motor. Laat de motor controleren door een erkende onderhoudsmonteur. Laat de machine afkoelen en start hem opnieuw. Laat de startmotor controleren door een erkende onderhoudsmonteur.
Herhaalde activering van het circuit leidt tot stoppen van de motor.	<ol style="list-style-type: none"> Het verlengsnoer is te lang of te dun. Messen zijn te bot. Er loopt laagspanning. 	<ol style="list-style-type: none"> Gebruik een korter of dikker verlengsnoer. Slijp of vervang de messen. Controleer de spanning.
Slechte voeding van het hout.	<ol style="list-style-type: none"> De tafel van de schaafmachine is vuil. De voedingsroller is beschadigd. Het tandwiel is beschadigd. Storing van de transmissiekast. 	<ol style="list-style-type: none"> Reinig het smeervet en residu en smeer de tafel van de schaafmachine. Vervang de voedingsroller. Vervang het tandwiel. Vervang de transmissiekast.
Het werkstuk is vastgelopen.	<ol style="list-style-type: none"> Onvoldoende instellingshoogte van het mes. 	<ol style="list-style-type: none"> Stel het mes af op de juiste hoogte.



Português

DESCRIÇÃO

1. Guarda superior
2. Manivela de ajuste da altura da cabeça de corte
3. Escala da profundidade de corte
4. Interruptor de ligação
5. Interruptor de sobrecarga
6. Extensão da mesa
7. Parafuso de bloqueio da base
8. Sapatas
9. Parafuso de bloqueio da maçaneta de elevação
10. Bastão de empurrar
11. Calibrador de regulação da lâmina
12. Chave hexagonal
13. Chave de bocas
14. Ponteiro de plástico
15. Escoadouro de poeiras
16. Parafusos de cabeça cilíndrica sextavada interior
17. Parafusos forçadores
18. Calibrador de regulação da lâmina
19. Barra de bloqueio
20. Parafusos de bloqueio
21. Lâminas
22. Mola
23. Parafusos Allen (de cabeça sextavada interior)
24. Porca de afinação da altura

Na concepção da sua desengrossadeira foi dada a máxima prioridade à segurança, ao desempenho e à fiabilidade.

UTILIZAÇÃO PREVISTA

A desengrossadeira destina-se a aplainar madeira.

Não use este aparelho de qualquer outra forma que não seja a indicada para o uso pretendido.

AVISOS GERAIS DE SEGURANÇA

AVISO

Ao utilizar ferramentas eléctricas, devem seguir-se sempre precauções básicas de segurança para minimizar o risco de incêndio, choque eléctrico e lesões. Leia todas as instruções antes de utilizar o produto e conserve-as.

- **Mantenha a área de trabalho limpa.** As áreas e os bancos de trabalho desordenados são mais susceptíveis de causar ferimentos.
- **Tenha em atenção o ambiente da área de trabalho.** Não exponha ferramentas à chuva. Não use as ferramentas em locais húmidos ou molhados. Mantenha a área de trabalho adequadamente limpa.

Mantenha as ferramentas ao abrigo de líquidos ou gases inflamáveis.

- **Proteja contra choques eléctricos.** Evite o contacto do corpo com superfícies com ligação terra ou enterradas (tais como tubos, radiadores, fogões e frigoríficos).
- **Mantenha as outras pessoas afastadas.** Não deixe que as pessoas, especialmente crianças, sejam envolvidas no trabalho, toquem na ferramenta ou no cabo de extensão, e mantenha-as afastadas da área de trabalho.
- **Guarde as ferramentas inactivas.** Quando não estiver em uso, as ferramentas devem ser guardadas num local seco, com chave, fora do alcance de crianças.
- **Não force a ferramenta.** Realizará um trabalho melhor e mais seguro à velocidade para a qual foi destinada.
- **Utilize a ferramenta adequada.** Não force as ferramentas de pequeno porte a realizarem o trabalho de uma ferramenta de trabalho pesado. Não use ferramentas para finalidades às quais não se destina, por exemplo, não use serras circulares para cortar ramos de árvores ou troncos.
- **Vista-se adequadamente.** Não use roupas largas ou jóias; podem ficar presas nas partes móveis. Recomenda-se a utilização de calçado anti-deslizante ao trabalhar em exteriores. Use cobertura de protecção para o cabelo para prender o cabelo comprido.
- **Use equipamento de protecção.** Use óculos de segurança. Use uma máscara de rosto para se proteger do pó caso trabalhe em operações que criem pó.
- **Conecte o equipamento de extracção de pó.** Se é fornecida a ferramenta para a ligação de espaços de extracção e recolha de pó, assegure-se de que estes se encontram conectados e usados correctamente.
- **Não puxe pelo cabo.** Nunca puxe o cabo para o desconectar da tomada. Mantenha o cabo afastado do calor, óleo e pontas afiadas.
- **Fixe a peça de trabalho.** Quando possível, use braçadeiras ou um torno para fixar o trabalho. É mais seguro do que utilizar a sua mão.
- **Não se aproxime em demasia.** Mantenha sempre o equilíbrio e a posição dos pés adequada.
- **Utilize as ferramentas com cuidado.** Mantenha as ferramentas de corte afiadas e limpas para que realizem um trabalho melhor e mais seguro. Siga as instruções de lubrificação e mudança de acessórios. Inspeccione periodicamente os cabos e, se estiverem danificados, leve-os a um centro de assistência autorizado. Inspeccione os cabos de extensão





Português

periodicamente e substitua-os, se danificados. Mantenha os manípulos secos, limpos e livres de óleo e graxa.

- **Desligue as ferramentas.** Quando não estiver em utilização, antes de realizar a manutenção e ao mudar os acessórios tais como as lâminas, brocas e cortadores, desconecte as ferramentas da fonte de alimentação.
- **Retire as chaves de porcas.** Habitue-se a verificar se as chaves de ajuste e as chaves inglesas foram retiradas da ferramenta antes de a ligar.
- **Evite o arranque involuntário.** Certifique-se de que o interruptor se encontra na posição "off" ao ligar a ficha.
- **Use cabos de extensão no exterior.** Quando uma ferramenta é usada no exterior, use apenas cabos de extensão que se destinem a ser utilizados ao ar livre e estejam assim assinalados.
- **Mantenha-se alerta.** Observe aquilo que está a fazer, use o senso comum e não opere a ferramenta quando estiver cansado.
- **Verifique se existem peças danificadas.** Antes de mais qualquer utilização da ferramenta, esta deve ser verificada cuidadosamente para determinar se funcionará adequadamente e realizará a função a que se destina. Confirme o alinhamento das peças móveis, a união das peças móveis, a ruptura de peças, montagem e quaisquer outras condições que possam afectar o funcionamento. Uma protecção ou outra peça que esteja danificada deve ser adequadamente reparada ou substituída por um centro de assistência autorizado salvo indicação contrária neste manual de instruções. Leve os interruptores defeituosos para serem substituídos num centro de assistência autorizado. Não use a ferramenta caso o interruptor não a ligue ou desligue.
- **Aviso.** O uso de qualquer acessório ou extra para além dos recomendados neste manual de instruções pode implicar um risco de lesão pessoal.
- **Leve a sua ferramenta para ser reparado por uma pessoa qualificada.** Esta ferramenta eléctrica cumpre com as normas de segurança relevantes. As reparações só devem ser realizadas por pessoas qualificadas utilizando peças de substituição originais, caso contrário poderá resultar em perigo considerável para o utilizador.

AVISOS DE SEGURANÇA DA DESENGROSSADEIRA

- Quando utilizar a ferramenta eléctrica, use sempre óculos fechados e protecção para os ouvidos.
- Calce luvas quando manusear o bloco cortador e materiais grosseiros, para reduzir os ferimentos

causados por arestas cortantes.

- Use uma protecção facial ou uma máscara anti-poeiras se o trabalho provocar poeiras.
- Antes de dar arranque à máquina, certifique-se de que todos os parafusos de fixação estão bem apertados.
- Antes de fazer quaisquer ajustes, pare sempre o motor e desencaixe a ficha do cabo eléctrico da tomada de rede eléctrica.
- Antes de iniciar a operação, certifique-se de que todas as guardas estão em posição.
- Antes de operar a máquina, leia o Manual de Instruções atentamente e familiarize-se com a máquina.
- Não force o avanço da peça de trabalho dentro da máquina. Deixe que seja a máquina a aplicar a velocidade de alimentação correcta.
- De vez em quando, verifique os rolos de alimentação para se certificar que não há serradura e lascas encravadas entre os componentes. Se os rolos de alimentação não estiverem firmemente assentes, então não irão segurar a madeira com firmeza de encontro ao leito, o que irá causar ressaltos.
- Quando aplainar madeira, verifique e certifique-se de que as mesas de rolos estão no mesmo plano que a mesa de trabalho, e também que os rolos podem rodar livremente quando aplainar peças compridas.
- Use o produto apenas para aplainar tábuas de madeira seca.
- Use madeira sã, sem nós soltos e com o menor número possível de nós apertados.
- Nunca se ponha directamente alinhado com o lado de entrada de alimentação nem com o lado de saída de alimentação. Ponha-se sempre desalinhado, mais chegado a um dos lados da máquina.
- Certifique-se de que a peça de trabalho não tem pregos, parafusos, pedras nem outros corpos estranhos que possam danificar as lâminas.
- Certifique-se de que as lâminas estão montadas correctamente, como descrito nas instruções.
- Tenha cuidado quando manusear o conjunto das lâminas e da cabeça de corte. As lâminas são afiadas e podem fazer cortes nas suas mãos com facilidade.
- Antes de iniciar a utilização, deixe a cabeça de corte atingir a velocidade máxima.
- Quando a extremidade da peça de trabalho se aproximar das lâminas, use o bastão para empurrar a peça de trabalho – não use as suas mãos! Quando o bastão de empurrar não estiver a ser utilizado, deve estar guardado na mesa de trabalho.
- Use lâminas que estejam bem afiadas e que estejam em boas condições de manutenção.





Português

- Use apenas lâminas de corte concebidas para o produto.
- Antes de utilizar a desengrossadeira, certifique-se de que a desengrossadeira está montada de forma segura. Preste especial atenção à estabilidade quando aplainar peças compridas.
- Mantenha as mãos afastadas da lâmina quando a lâmina estiver em movimento.
- Não faça cortes com mais de 3 mm (1/8") de profundidade.
- Utilize protecção para os olhos em conformidade com as normas de segurança locais.
- Só remova a peça encastrada depois de a lâmina ter parado e a alimentação eléctrica ter sido desligada.

A AVISO

Nunca faça as seguintes operações:

- Trabalho com paragem (ou seja, qualquer corte que não envolva o comprimento total da peça de trabalho)
- Aplainar chanfros, espigas ou moldes
- Aplainar madeira que esteja muito empenada, que não faça bom contacto com a mesa de entrada de alimentação

LINGUETAS ANTI-RESSALTO

Ver figura 2.

- Uma lingueta anti-ressalto é um dispositivo que, quando é instalado correctamente e quando recebe a manutenção correcta, é concebido para não deixar a peça de trabalho ressaltar para diante (para a frente da lâmina) durante a operação.

EVITAR RESSALTOS

- Use sempre a regulação correcta da profundidade da lâmina.
Antes de começar um corte, inspecione a peça de trabalho, procurando nós ou pregos. Com um martelo, desaloje quaisquer nós soltos. Nunca faça um corte que vá apanhar um nó ou um prego.
- Use sempre lâminas limpas, afiadas e correctamente reguladas.
- Nunca use o produto com lâminas embotadas.
- Para evitar prender a lâmina, apoie a peça de trabalho correctamente antes de começar a operação.
- Quando aplainar, faça pressão constante e por igual. Nunca force o produto.
- Não aplane madeira molhada ou empenada.

- Segure sempre a peça de trabalho com firmeza, com ambas as mãos, e mantenha o seu corpo numa posição equilibrada, pronto para resistir a um ressalto. Nunca se ponha directamente alinhado com a madeira.

RISCOS RESIDUAIS

Mesmo quando se utiliza o produto segundo as instruções, continua a ser impossível eliminar por completo certos fatores de risco residuais. O utilizador deve prestar especial atenção a estes pontos para minimizar o risco de lesões pessoais graves.

- Lesões auditivas – Use protecção adequada para os ouvidos e limite o tempo de exposição
- Lesões oculares – É preciso levar proteções ou óculos de protecção para os olhos quando se utiliza o produto.
- Danos respiratórios devido ao pó gerado ao utilizar o produto – Utilize a protecção adequada segundo o tipo de pó.

LIGAÇÃO ELÉCTRICA

Este produto é alimentado por um motor eléctrico de precisão encastrado. Esta ferramenta deve ser unicamente ligada a uma fonte de alimentação de 220~240V, de CA (corrente normal doméstico), 50 Hz. Não opere este aparelho em corrente contínua (CC). Uma queda de tensão substancial causará uma perda da potência e o motor irá sobreaquecer. Se o aparelho não funcionar quando ligado a uma tomada, verifique novamente a fonte de alimentação.

VELOCIDADE E INSTALAÇÃO ELÉCTRICA

A velocidade sem carga desta ferramenta é de aproximadamente 9.000 rpm. Esta velocidade não é constante e diminui durante uma carga ou com menor tensão. No que se refere à voltagem, a instalação eléctrica de uma loja é tão importante quanto a classe de potência de um motor. Um cabo de alimentação destinado unicamente para luzes não pode suportar um motor de uma ferramenta eléctrica. Um cabo com um calibre suficiente para uma distância curta será muito débil para uma maior distância. Um cabo de alimentação que pode suportar uma ferramenta eléctrica pode não ser suficiente para alimentar duas ou três ferramentas.

Se o cabo de alimentação estiver danificado, deverá ser substituído unicamente pelo fabricante ou por um centro de serviço autorizado para evitar riscos.

O produto só deve ser ligado a uma tomada com a mesma configuração que a ficha. Não use um adaptador com este aparelho.

Para mais segurança e fiabilidade, todas as reparações



Português

devem ser feitas por um Centro de Serviço Autorizado RYOBI.

Os circuitos eléctricos ou as tomadas que sejam usadas com o produto devem estar protegidas por dispositivo de protecção diferencial residual (RCD). Estão disponíveis as tomadas de corrente com protecção RCD incorporada, as quais se podem utilizar para esta medida de segurança.

Se o produto for usado com um cabo de extensão eléctrica, certifique-se de que a ligação do cabo eléctrico da ferramenta e o cabo de extensão eléctrica não estão no chão. Os dispositivos auxiliares devem estar sempre ligados à tomada da parede e não a um cabo de extensão e ao cabo de alimentação de uma ferramenta eléctrica.

Se não estiver disponível uma tomada protegida, então não use o produto até que uma tomada possa ser alterada ou até que possa ser obtida protecção auxiliar. Estes dispositivos auxiliares de protecção estão disponíveis no seu distribuidor local.

LISTA DE PEÇAS SOLTAS

Artigo	Descrição	Quant.
2	Manivela de ajuste da altura da cabeça de corte	1
7	Parafusos de bloqueio da base	4
8	Sapatas	4
9	Parafuso de bloqueio da maçaneta de elevação	1
10	Bastão de empurrar	1
11	Calibrador de regulação da lâmina	1
12	Chave hexagonal	2
13	Chave de bocas	1

MONTAGEM

DESLOCAR A DESENGROSSADEIRA

Ver figura 3.

- O produto pode ser transportado utilizando as pegas em ambos os lados da armação. Antes de deslocar o produto, certifique-se de que as extensões da mesa estão fechadas.

MONTAR AS SAPATAS

- Aplique as sapatas nos cantos da parte de baixo do produto.

MONTAR A DESENGROSSADEIRA SOBRE UMA BASE DE MADEIRA

Veja as figuras 5-6.

- Quando a desengrossadeira não está montada sobre um cavalete específico para a desengrossadeira, é sugerido que seja montada sobre duas peças de madeira. Isto irá garantir a máxima estabilidade.
- Escolha duas peças de madeira de acordo com os tamanhos mostrados na figura. Monte o produto sobre a superfície de madeira.
- Use os 4 parafusos de bloqueio da base (fornecidos) para montar a base da desengrossadeira sobre a madeira.

DESCANSO PARA MADEIRAS PREPARADAS

Ver figura 7.

- O descanso para madeiras preparadas no topo da desengrossadeira permite o manuseamento prático das madeiras preparadas, para operações de corte seguidas. As madeiras preparadas assentes no topo da máquina podem ser facilmente puxadas pelo operador, para aplainamento.

OPERAÇÃO

INTERRUPTOR DESLIGADO/LIGADO

Ver figura 8.

- Para ligar o produto, carregue no botão I. Para desligar, carregue no botão O.

AVISO

Certifique-se sempre de que o interruptor está na posição de Desligado (OFF) antes de encaixar a ficha do cabo eléctrico da desengrossadeira na tomada de corrente eléctrica.

INTERRUPTOR DE SOBRECARGA DO CIRCUITO

Ver figura 8.

- A máquina tem um interruptor de sobrecarga, para protecção contra sobrecargas. Se houver uma sobrecarga, o interruptor salta para fora. Se isso acontecer, espere alguns minutos e carregue no interruptor, para reiniciar a máquina.

AJUSTAR A PROFUNDIDADE DO CORTE

Ver figura 9.



Português

A AVISO

Nunca aplaine mais de 3 mm em cada passagem e nunca tente aplainar uma tábua com menos de 127 mm (5 polegadas) de comprimento. Use sempre escudo facial de protecção.

- Para ajustar a profundidade do corte, rode a manivela de ajuste da altura da cabeça de corte nos sentidos marcados no topo da desengrossadeira. O ajuste da profundidade do corte pode ser lido na escala da profundidade de corte. A graduação de ajuste é de 1,6 mm por cada volta completa da manivela.
- Comece sempre o seu trabalho fazendo um corte de aplainamento leve. A profundidade de corte das passagens seguintes pode ser aumentada até 3 mm, mas lembre-se que um corte leve cria um acabamento mais fino do que um corte pesado.
- A espessura da madeira que corre através da desengrossadeira é controlada pelo ajuste da lâmina de corte, ou seja, pela distância de afastamento entre a lâmina e a mesa.
 - Não aplaine madeira com menos de 7 mm de espessura.
 - Não aplaine madeira com mais de 153 mm (6 polegadas) de espessura.

AJUSTE A PROFUNDIDADE DA ESCALA DE CORTE.

Ver figura 9.

Para a operação em segurança da sua desengrossadeira, é muito importante que a escala da profundidade de corte tenha uma leitura rigorosa. Para ajustar a profundidade da escala de corte, siga os passos abaixo:

- Alimente uma tábua para aplainamento. Tire a medida da espessura da tábua e compare-a com a leitura mostrada na escala da profundidade de corte.
- Se a leitura na escala da profundidade de corte for incorrecta, afrouxe o parafuso que dá aperto ao ponteiro de plástico e faça o ajuste necessário.
- Quando tiver ajustado correctamente a escala da profundidade de corte, teste a leitura aplainando uma peça de madeira de desperdício. Depois de aplainar, tire a medida da espessura aplainada e volte a compará-la com a leitura mostrada na escala. As duas medidas devem ser iguais. Se necessário, volte a justar a escala da profundidade de corte por forma a que mostre a leitura da espessura da peça aplainada.

DESMONTAR AS LÂMINAS DA DESENGROSSADEIRA

Veja as figuras 10-12.

Para desmontar as lâminas, siga os passos abaixo:

A AVISO

Antes de desmontar as lâminas, desencaixe a ficha do cabo eléctrico do produto da tomada de rede eléctrica.

- Desmonte o escoadouro de poeiras, desmontando para isso os respectivos 4 parafusos de cabeça cilíndrica sextavada interior.
- Afrouxe a barra de bloqueio e a lâmina, fazendo rodar os parafusos forçadores no sentido dos ponteiros do relógio. As lâminas estão comprimidas por molas e são empurradas para fora quando o conjunto é afrouxado.
- Tire a lâmina para fora e, em seguida, a barra de bloqueio da lâmina.

MONTAR/SUBSTITUIR AS LÂMINAS DA DESENGROSSADEIRA

Ver figura 12.

Para montar as lâminas, siga os passos abaixo:

- Desmonte as lâminas de acordo com as instruções dadas em "DESMONTAR AS LÂMINAS DA DESENGROSSADEIRA".
- Limpe e afaste quaisquer detritos da cabeça de corte da desengrossadeira.
- Encaixe a barra de bloqueio da lâmina dentro da ranhura na cabeça de corte.
- Encaixe a lâmina dentro da ranhura na cabeça de corte e, em seguida, dê aperto ao conjunto da barra de bloqueio da lâmina, fazendo para isso rodar os parafusos forçadores no sentido contrário aos ponteiros do relógio. Certifique-se de que a frente da lâmina fica a apontar na direcção correcta e que está centrada dentro da ranhura.
- Regule a altura da lâmina de acordo com as instruções dadas em "REGULAR A ALTURA DA LÂMINA". A altura da lâmina tem de ser reposta de cada vez que as lâminas são tiradas para fora, seja por que motivo for.
- Depois de as lâminas estarem montadas, certifique-se de que volta a montar o escoadouro de poeiras.

REGULAR A ALTURA DA LÂMINA

Veja as figuras 13-14.

- Para obter uma projecção da lâmina de 1,1 mm, posicione o calibrador de regulação da lâmina sobre a cabeça de corte, com ambas as guias assentes com firmeza de encontro à lâmina.
- Afrouxe o conjunto, fazendo rodar os 7 parafusos forçadores no sentido dos ponteiros do relógio, utilizando para isso uma chave de bocas.





Português

- Quando a lâmina estiver comprimida à altura pretendida pelas guias no calibrador, volte a dar aperto ao conjunto, rodando para isso os parafusos forçadores no sentido contrário aos ponteiros do relógio. Certifique-se de que todos os 7 parafusos forçadores ficam apertados em segurança.

▲ AVISO

O bordo cortante da lâmina é muito susceptível a danos por lascagem (dito "abrir bocas"). Tenha cuidado quando manusear o calibrador junto às lâminas, para evitar danificar as lâminas.

▲ AVISO

O conjunto tem de ficar apertado em segurança, para evitar acidentes durante o aplainamento.

FAZER A LIGAÇÃO A UM SISTEMA DE RECOLHA DE POEIRAS

Ver figura 19.

A poeira gerada ao utilizar esta ferramenta pode ser perigosa para a saúde. Use um sistema de absorção de poeiras (por exemplo, um aspirador) para remover completamente os depósitos de poeiras.

Para fazer a ligação a um sistema de recolha de poeiras:

- Desligue a ferramenta.
- Conecte o bocal do sistema colector de pó à porta de pó.

Limpe com frequência a mangueira do sistema de recolha de poeiras, para evitar a acumulação de poeiras.

AJUSTE

PÔR EM PARALELO A CABEÇA DE CORTE E A MESA DE TRABALHO

Veja as figuras 15-18.

Aplaine uma peça de trabalho e meça a espessura após o corte. Se a espessura for diferente nos 2 lados da peça de trabalho, faça o seguinte:

Ajuste o veio do cortador e a mesa de trabalho, por forma a ficarem paralelos um ao outro. As ferramentas usadas para a verificação são mostradas na Figura 15. Use madeira dura para fazer um bloco calibrador da ferramenta, de acordo com o tamanho mostrado na Figura. Faça os ajustes, de acordo com os procedimentos seguintes.

- Desmonte a manivela de ajuste de altura, a tampa superior e a tampa lateral, desmontando para isso os

parafusos Allen (de cabeça sextavada interior) para expor as contraporcas de ajuste da altura.

- Afrouxe as contraporcas de ajuste.
- Ajuste as contraporcas de ajuste da altura, para cima ou para baixo conforme necessário, para se conformarem ao bloco calibrador.
- Quando tiver alcançado a regulação de altura pretendida, dê aperto às contraporcas em posição.
- Volte a montar a tampa superior, a tampa lateral e a manivela de ajuste de altura.

NOTA: Antes de dar arranque à máquina, tire o bloco calibrador.

O aplainamento da espessura (desengrossamento) redimensiona a peça de trabalho para a espessura pretendida, simultaneamente criando uma superfície suave, paralela à face oposta da tábua.

A arte de aplainamento da espessura (desengrossamento) consiste, principalmente, em saber avaliar correctamente a profundidade do corte necessária em situações diversas. Tem de levar em conta o seguinte:

1. A largura da madeira
2. A dureza da madeira
3. A humidade da madeira
4. A rectidão da tábua
5. O sentido do grão
6. A estrutura do grão

A forma como estes factores podem afectar a qualidade do trabalho só pode ser aprendida com a experiência. Sempre que trabalhar com um novo tipo de madeira, ou com madeira que tenha problemas fora do normal, faça sempre cortes de teste em materiais de desperdício, antes de trabalhar na peça verdadeira.

PARA APLAINAMENTO ADICIONAL

Se for necessário aplainamento adicional para obter a espessura de acabamento pretendida, rode a manivela de ajuste da altura da cabeça (no máximo 3 mm de cada vez) e faça mais uma passagem.

▲ AVISO

Nunca aplaine mais de 3 mm em cada passagem e nunca tente aplainar uma tábua com menos de 127 mm (5 polegadas) de comprimento. Use sempre escudo facial de protecção.





Português

MANUTENÇÃO

⚠ AVISO

Assegure-se sempre que o cabo de alimentação foi retirado da rede elétrica antes de realizar qualquer ajuste ou operações de lubrificação ou ao realizar operações de manutenção no produto.

VOLTAR A AFIAR A LÂMINA

Se for necessário voltar a afiar a lâmina, só é permitido voltar a afiar a área em formato de cunha.

LUBRIFICAÇÃO

- A lubrificação recomendada para as correntes dos rolos usadas em operação baixa a média é, simplesmente, esfregar a corrente para a limpar. Quando houver uma acumulação excessiva de serradura ou lascas de madeira, etc., aplique uma leve camada de óleo, mas nunca despeje o óleo directamente na corrente. O excesso de óleo tem a tendência para acelerar a recolha de serradura e de lascas de madeira, fazendo-as avançar para o interior dos elementos da corrente, causando assim maior desgaste e a substituição prematura. Isto aplica-se às correntes de redução de velocidade e de ajuste de altura, bem como aos parafusos de elevação.
- Os rolamentos na cabeça de corte vêm lubrificados de fábrica, e estão vedados. Não precisam de manutenção adicional.

MANUTENÇÃO PERIÓDICA

- A acumulação de serradura e outros detritos pode fazer com que o aplainamento seja inexacto. A limpeza periódica é obrigatória para o aplainamento de precisão, sendo altamente recomendada.
- Peças de encaixe de precisão (como as barras de bloqueio e as ranhuras da cabeça de corte da desengrossadeira) devem ser limpas com uma escova – remova corpos estranhos que estejam agarrados. Em seguida, volte a montar todas as peças nas respectivas posições, levemente humedecidas com óleo.
- Retire resina e outras acumulações dos rolos de alimentação e da mesa, usando um solvente não inflamável.

TRANSPORTE E ARMAZENAMENTO

Quando transportar o produto, desencaixe o cabo eléctrico e desmonte o produto. Transporte o produto utilizando as pegas em ambos os lados da armação. Guarde o produto num local seguro que não seja acessível às crianças.

Limpe o produto com uma escova e um aspirador antes do seu armazenamento.

PROTECÇÃO DO AMBIENTE



Recicle os materiais em vez de pô-los directamente no lixo doméstico. Para proteger o ambiente, a ferramenta, os acessórios e as embalagens devem ser seleccionados.

SÍMBOLO



Alerta de segurança



Conformidade CE



Por favor, leia atentamente as instruções antes de acender o produto.



Classe II, com duplo isolamento



Use protecção para os ouvidos



Use sempre protecção para os olhos.



Sentido de rotação da lâmina



Profundidade máxima de aplainamento por passagem



Comprimento mínimo de aplainamento



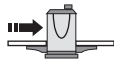
Largura máxima de aplainamento



Português



Altura de aplainamento



Velocidade de alimentação



Comprimento da lâmina



Baixar a lâmina



Subir a lâmina



Os aparelhos eléctricos antigos não devem ser eliminados juntamente com o lixo doméstico. Recicle onde existem instalações para o efeito. Verifique com as suas Autoridades Locais ou revendedor para obter informações sobre reciclagem.



Português

RESOLUÇÃO DE PROBLEMAS

Problema	Possível causa	Solução
O grão é pouco nítido.	<ol style="list-style-type: none"> 1. Aplainamento de madeira com conteúdo de humidade alto. 2. As lâmina estão embotadas. 	<ol style="list-style-type: none"> 1. Seque a madeira. 2. Afie as lâminas.
O grão está cortado.	<ol style="list-style-type: none"> 1. O corte é demasiado pesado. 2. As lâminas estão a cortar contra o grão. 3. As lâmina estão embotadas. 	<ol style="list-style-type: none"> 1. Corrija a profundidade de corte. 2. Alimente a peça de trabalho no sentido do grão, ou dê a volta à peça de trabalho. 3. Afie as lâminas.
O grão é grosseiro/saliente.	<ol style="list-style-type: none"> 1. As lâmina estão embotadas. 2. O corte é demasiado pesado. 3. O conteúdo de humidade é demasiado alto. 4. Os rolamentos da cabeça de corte estão danificados. 	<ol style="list-style-type: none"> 1. Afie as lâminas. 2. Corrija a profundidade de corte. 3. Seque a madeira. 4. Substitua os rolamentos.
A profundidade do corte é desigual de lado a lado.	<ol style="list-style-type: none"> 1. A projecção da lâmina não é uniforme. 2. A cabeça de corte não está nivelada com o leito da desengrossadeira. 	<ol style="list-style-type: none"> 1. Ajuste a projecção da lâmina. 2. Nivele a cabeça de corte com a mesa.
A espessura da tábua não corresponde à escala de profundidade de corte.	<ol style="list-style-type: none"> 1. A escala da profundidade de corte está incorrecta. 	<ol style="list-style-type: none"> 1. Ajuste a profundidade da escala de corte.
A corrente está a saltar.	<ol style="list-style-type: none"> 1. Os carretos estão desalinados. 2. Os carretos estão gastos. 	<ol style="list-style-type: none"> 1. Alinhe os carretos. 2. Substitua o carreto.
A ferramenta não arranca ou não reinicia.	<ol style="list-style-type: none"> 1. A ficha do cabo eléctrico da ferramenta não está encaixada na tomada da rede eléctrica. 2. Avaria do motor eléctrico. 3. Há um fio solto. 4. Avaria do interruptor de sobrecarga. 5. Avaria do arranque do motor eléctrico. 	<ol style="list-style-type: none"> 1. Verifique a fonte de alimentação eléctrica. 2. Verifique o motor eléctrico. 3. Peça a um agente de assistência técnica autorizado que faça uma verificação ao motor eléctrico. 4. Deixe a máquina arrefecer e reinicie-a. 5. Peça a um agente de assistência técnica autorizado que faça uma verificação ao arranque do motor eléctrico.





Português

<p>Disparos repetidos do disjuntor do circuito eléctrico causam a paragem do motor eléctrico.</p>	<ol style="list-style-type: none"> 1. O cabo de extensão eléctrica é demasiado comprido ou demasiado fino. 2. As lâmina estão demasiado embotadas. 3. A voltagem é demasiado baixa. 	<ol style="list-style-type: none"> 1. Use um cabo de extensão eléctrica mais curto ou mais grosso. 2. Afie ou substitua as lâminas. 3. Verifique a voltagem.
<p>A madeira é mal alimentada.</p>	<ol style="list-style-type: none"> 1. A mesa da desgrossadeira está suja. 2. O rolo de alimentação está danificado. 3. O carreto está danificado. 4. Avarias da caixa de desmultiplicação. 	<ol style="list-style-type: none"> 1. Limpe a resina e os resíduos e lubrifique a mesa da desgrossadeira. 2. Substitua o rolo de alimentação. 3. Substitua o carreto. 4. Verifique a caixa de desmultiplicação.
<p>A peça de trabalho está encravada.</p>	<ol style="list-style-type: none"> 1. A regulação de altura da lâmina é incorrecta. 	<ol style="list-style-type: none"> 1. Regule a lâmina para a altura correcta.





Dansk

BESKRIVELSE

1. Øverste afskærmning
2. Håndsving til højdejustering af kutterhoved
3. Skæredybdemåling
4. Tænd-/Sluk-kontakt
5. Overbelastningskontakt
6. Bordforlænger
7. Basis låseskruer
8. Fod
9. Låseskruer til løfteknop
10. Skubbepind
11. Indstillingsmåler til klinger
12. Sekskantnøgle
13. Gaffelnøgle
14. Plastikmarkør
15. Støvsleske
16. Cylinderskruer med indvendig sekskant
17. Drivskruer
18. Indstillingsmåler til klinger
19. Låseskinne
20. Låseskruer
21. Klings
22. Fjeder
23. Unbracoskruer
24. Højdejusteringsmøtrik

Ved udformningen af din tykkelseshøvl har vi givet toprioritet til sikkerhed, gode resultater og driftssikkerhed.

TILTÆNKT ANVENDELSESFORMÅL

Høvlen er beregnet til at høvle træ.

Dette produkt må kun bruges til de formål, der er angivet under formålsbestemt/korrekt brug.

GENERELLE SIKKERHEDSADVARSLER

ADVARSEL

Ved brug af elværktøjer bør man altid følge de grundlæggende sikkerhedsregler for at reducere risikoen for brand, elektrisk stød og personskade. Læs hele brugsanvisningen, inden du forsøger at betjene dette produkt - og gem brugsanvisningen.

- **Hold arbejdsområdet rent og ryddeligt.** Rodede områder og borde inviterer til personskader.
- **Vær opmærksom på miljøet i arbejdsområdet.** Undgå at udsætte værktøjer for regn. Brug ikke værktøjer på fugtige eller våde steder. Arbejdsområdet skal være godt oplyst. Brug ikke værktøjer i nærheden af brændbare væsker eller gasser.

- **Beskyt dig mod elektrisk stød.** Undgå kropskontakt med jordede eller stiftforbundne overflader (fx rør, radiatorer, komfurer og køleskabe).
- **Hold andre personer på afstand.** Lad ikke personer, især børn, deltage i arbejdet, røre ved værktøjet eller forlængerledningen, og sørg for at holde dem ude af arbejdsområdet.
- **Opbevar ubenyttede værktøjer.** Når værktøjer ikke bruges, skal de opbevares på et tørt, aflåst sted utilgængeligt for børn.
- **Undlad at tvinge værktøjet.** Produktet klarer opgaven bedre og sikrer med den hastighed, det er beregnet til.
- **Brug det rigtige værktøj.** Undlad at tvinge mindre værktøjer til at udføre arbejdsopgaver, der kræver værktøjer. Undlad at bruge værktøj til ikke-formålsbestemte opgaver; brug fx ikke en rundsav til at skære i grene eller træstammer.
- **Vær ordentligt klædt på.** Undlad at bære løstsiddende tøj eller smykker; sådanne kan hænge fast i bevægelige maskindele. Ved arbejde udendørs anbefales brug af skridsikkert fodtøj. Brug beskyttende håret eller lign. til sikring af langt hår.
- **Brug værnemidler.** Brug sikkerhedsbriller. Brug ansigts- eller støvmaske, hvis arbejdsopgaven genererer støv.
- **Tilslut støvudsugningsudstyr.** Hvis værktøjet er beregnet til tilslutning af støvudsugnings- og -opsamlingsudstyr, skal dette tilsluttes og anvendes korrekt.
- **Undlad at misbruge ledningen.** Træk aldrig stikket ud af stikkontakten ved at rykke i ledningen. Hold ledningen på afstand af varme, olie og skarpe kanter.
- **Fastgør emnet.** Brug så vidt muligt skruetvinge eller skruestik til fastholdning af emnet. Det er sikrere end at bruge hånden.
- **Læn dig aldrig for langt frem.** Sørg for altid at have godt fodfæste og god balance.
- **Værktøjer skal vedligeholdes med omhu.** Skæreværktøjerne skal holdes skarpe og rene for bedre og sikrere ydelse. Følg vejledningen for smøring og udskiftning af tilbehørsdele. Inspicér værktøjsledningerne regelmæssigt, og - hvis de beskadiges - få dem repareret på et autoriseret serviceværksted. Inspicér forlængerledningerne regelmæssigt, og udskift dem, hvis de beskadiges. Hold håndtagene tørre, rene og fri for olie og fedt.
- **Afbryd strømmen til værktøjerne.** Når værktøjet ikke bruges, inden det serviceres, og når der skiftes tilbehør som fx knive, bits og fræsere, skal strømforsyningen afbrydes til værktøjet.





Dansk

- **Fjern svensknøgler og faste nøgler.** Gør det til en vane at kontrollere, at faste nøgler og svensknøgler er fjernet fra værktøjet, inden der tændes for det.
- **Undgå utilsigtet start.** Kontrollér, at kontakten er i pos. "off" (=slukket), inden stikket sættes i kontakten.
- **Brug udendørs forlængerledninger.** Når værktøjet bruges udendørs, må der kun bruges forlængerledninger, der er beregnet (og mærket) til udendørs brug.
- **Vær agtpågivende.** Vær opmærksom på, hvad du gør, brug sund fornuft, og anvend ikke værktøjet, hvis du er træt.
- **Kontrollér beskadigede dele.** Inden værktøjet tages i brug, skal man undersøge det nøje for at sikre sig, at det fungerer korrekt og er i stand til at opfylde den tiltænkte funktion. Kontrollér, at de bevægelige dele er indjusteret korrekt, at de ikke binder; for brud på dele, montering samt enhver anden tilstand, der kan påvirke delenes funktion. En beskadiget skærm eller anden del skal repareret ordentligt eller udskiftes på et autoriseret servicecenter, med mindre andet fremgår af denne brugsanvisning. Få defekte kontakter udskiftet på et autoriseret servicecenter. Værktøjet må ikke tages i brug, hvis TÆND/SLUK-kontakten ikke virker.
- **Advarsel.** Brug af udstyr eller tilbehør, som ikke er anbefalet i denne brugsanvisning, kan medføre fare for personskader.
- **Få kun værktøjet repareret af en kvalificeret person.** Dette elværktøj opfylder alle relevante sikkerhedsregler. Reparationer må kun udføres af kvalificerede personer og med originale reservedele; ellers kan der opstå betydelige risici for brugeren.

SIKKERHEDSADVARSLER OM HØVL

- Ved brug af det elektriske værktøj skal du altid anvende sikkerhedsbriller og høreværn.
- Bær handsker, når du håndterer skæremaskinen og grove materialer for at reducere skader fra skarpe kanter.
- Brug ansigtsskærm eller støvmaske, hvis der dannes støv under arbejdet.
- Kontrollér for at sikre, at alle holdeskruer er strammet, før du starter maskinen.
- Stands altid motoren, og fjern stikket fra strømkilden, før du foretager nogle justeringer.
- Sørg for at alle sikkerhedsafskærmninger er på plads før drift.
- Læs brugsvejledningen grundigt, og gør dig selv bekendt med maskinen før drift.
- Forcer ikke arbejde igennem maskinen. Lad produktet opnå den korrekte indføringshastighed.
- Kontrollér indføringsruller af og til for at sikre, at savstøv og -spåner ikke har sat sig fast mellem nogen af komponenterne. Hvis rullerne ikke er anbragt solidt, kan indføringsrullerne ikke holde tømmeret fast mod underlaget, hvilket kan få det til at slå tilbage.
- Kontrollér, og sørg for at rullebordene er i samme niveau som arbejdsbordet, når du høvler træ, og at rullerne kan dreje frit, når du høvler lange arbejdsemner.
- Brug kun produktet til at høvle tørre træbrædder.
- Brug ordenligt tømmer uden løse knaster og med så få faste knaster som muligt.
- Stå aldrig direkte ud for hverken indførings- eller udførings sider. Stå altid ude ved en af maskines sider.
- Sørg for, at arbejdsemnet er fri for søm, skruer, sten og andre fremmedlegemer, som kunne beskadige klingerne.
- Sørg for, at klingerne er fastgjort korrekt som beskrevet i instruktionerne.
- Vær forsigtig, når du håndterer klingerne og kutterhovedsamlingen. Klingerne er skarpe og kan let snitte din hånd.
- Lad kutterhovedet nå fuld hastighed før brug.
- Brug skubbepinden i stedet for dine hænder til at skubbe arbejdsemnet, når det nærmer sig klingerne. Skubbepinden skal opbevares på arbejdsbordet, når den ikke er i brug.
- Anvend klinger, som er slebet og vedligeholdt ordenligt.
- Anvend kun skæreklinger, der er beregnet til produktet.
- Sørg for, at høvlen er ordentligt monteret før brug. Vær ekstra omhyggelig med stabiliteten ved høvling af lange arbejdsemner.
- Hold hænderne væk fra klingens, når den er i bevægelse.
- Lav ikke udskæringer, der er dybere end 3 mm (1/8").
- Bær øjenbeskyttelse, der opfylder dine lokale sikkerhedsstandarder.
- Fjern ikke fastklemt stykker, indtil klingens er standset, og strømmen er slukket.





Dansk

▲ ADVARSEL

Udfør aldrig følgende handlinger:

- Standset arbejde (dvs. enhver skæreduførelse, som ikke omfatter arbejdsemnets fulde længde)
- Høvling af fordybninger, tapper eller forme
- Høvling af dårligt formet træ med utilstrækkelig kontakt med indføringsbordet

PALER TIL FORHINDRING AF TILBAGESLAG

Se figur 2.

- En pal til forhindring af tilbageslag er en enhed, som, når den er ordenligt installeret og vedligeholdt, er udviklet til at forhindre arbejdsemnet i at blive slået tilbage mod fronten af klingens under drift.

UNDGÅ TILBAGESLAG

- Anvend altid den korrekte indstilling for klingens dybde.
Efterse arbejdet for knaster eller søm, før du begynder at skære. Slå alle løse knaster ud med en hammer. Skær aldrig i en løs knast eller søm.
- Anvend altid rene, skarpe og korrekt indstillede klinger.
- Anvend aldrig produktet, hvis klingerne er sløve.
- For at undgå at klemme klingens skal du understøtte arbejdet ordentligt, før du begynder at betjene maskinen.
- Anvend et stabilt, jævnt pres, når du høvler. Forcer aldrig produktet.
- Høvl ikke i vådt eller skævt tømmer.
- Hold altid godt fast i dit arbejdsemne med begge hænder, oprethold din krop i en afbalanceret position, så du er klar til at kunne modstå et tilbageslag. Stå aldrig direkte ud for tømmeret.

UUNDGÅELIGE RISICI

Selv om produktet anvendes som foreskrevet, er det stadig umuligt at eliminere visse uundgåelige risikofaktorer fuldstændigt. Operatøren skal være særlig og ekstra opmærksomhed på disse punkter for at mindske risikoen for alvorlig personskade.

- Høreskader – Benyt passende høreværn, og begræns eksponering
- Øjenskader – Benyt beskyttelsesbriller under brug af dette produkt.
- Fare for åndedrætsorganer pga. det støv, der dannes under brugen af produktet – Benyt passende værnemidler afhængig af den aktuelle støvtype.

ELEKTRISK TILSLUTNING

Dette produkt drives af en præcisionsbygget elmotor. Den må kun sluttes til en strømforsyningskilde på 220~240V, AC (normal husholdningsstrøm), 50 Hz. Dette produkt må ikke betjenes med jævnstrøm (DC). Et betydeligt spændingsfald vil bevirke effekttab og overophedning af motoren. Hvis produktet ikke vil starte, når det sættes i en lysnetkontakt, skal man dobbelttjekke strømforsyningen.

HASTIGHED OG LEDNINGSFORBINDELSER

Dette værktøjs tomgangshastighed er ca. 9.000 o/min. Denne hastighed er ikke konstant og aftager under belastning eller ved lavere spænding. Mht. spænding er elledningerne i værkstedet lige så vigtige som motorens nominelle ydelse. En ledning, der kun er beregnet til forsyning af lamper, vil ikke kunne trække en elværktøjsmotor ordentligt. En ledning, som er kraftig nok over en kort afstand, vil være for spinkel over en større afstand. En ledning, der kan forsyne ét elektrisk værktøj, er ikke nødvendigvis i stand til at forsyne to eller tre værktøjer.

Hvis strømforsyningskablet beskadiges, skal det udskiftes af producenten eller på et autoriseret servicecenter for at undgå risici.

Produktet må kun sluttes til en lysnetkontakt med samme konfiguration som stikket. Dette produkt må ikke bruges med en adapter.

Af hensyn til brugersikkerheden og drifts- sikkerheden skal reparationer udføres på et autoriseret RYOBI serviceværksted.

Der skal være en fejlstrømsafbryder på det/de elektriske kredsløb eller stikkontakter, som bliver brugt til produktet. Stikkontakter fås med indbygget HFI-beskyttelse, som opfylder denne sikkerhedsstandard.

Hvis produktet anvendes sammen med en forlængerledning, skal du sikre, at stikket mellem værktøjets strømledning og forlængerledningen ikke ligger på jorden. Eksternt udstyr skal altid sluttes til lysnetkontakten og ikke til et stik på en forlængerledning og til elværktøjets elledning.

Hvis en sikret stikkontakt ikke er tilgængelig, må du ikke anvende produktet, før en stikkontakt kan udskiftes, eller der kan etableres yderligere sikkerhed. Disse eksterne beskyttelsesanordninger fås hos din lokale forhandler.



Dansk

LISTE OVER LØSE DELE

Artikel	Beskrivelse	Ant.
2	Håndsving til højdejustering af kutterhoved	1
7	Basis låseskruer	4
8	Fod	4
9	Låseskrue til løfteknop	1
10	Skubbepind	1
11	Indstillingsmåler til klinge	1
12	Sekskantnøgle	2
13	Gaffelnøgle	1

MONTERING

FLYTNING AF HØVLEN

Se figur 3.

- Produktet kan bæres ved hjælp af håndtagene på begge sider af rammen. Sørg for at bordforlængerne er lukkede, før produktet flyttes.

INSTALLERING AF FØDDER

- Fastgør foden til hjørnerne i bunden af produktet.

MONTERING AF HØVLEN PÅ EN TRÆBASE

Se figur 5-6.

- Hvis høvlen ikke er monteret på en høvlebænk, anbefales det, at den monteres på to stykker træ. Dette vil sikre maksimal stabilitet.
- Vælg to stykker træ i henhold til de størrelser, der er vist i figuren. Monter produktet på træoverfladen.
- Anvend de fire basis låseskruer (medfølger) til at montere høvlebasen på træet.

MATERIALESTØTTE

Se figur 7.

- Materialestøtten øverst på høvlen yder bekvem håndtering af materialer for fortløbende skærehandlinger. Materiale, der er placeret øverst på maskinen, kan let blive skubbet hen til den operatør, der udfører høvlearbejdet.

BETJENING

TÆND/SLUK-KONTAKT

Se figur 8.

- For at tænde produktet skal du trykke på I-knappen. For at slukke skal du trykke på O-knappen.

⚠ ADVARSEL

Sørg altid for at kontakten er i positionen FRA, før høvlen sluttes til en strømkilde.

KONTAKT TIL OVERBELASTNING AF KREDSLØBET

Se figur 8.

- Maskinen er forsynet med en overbelastningskontakt for overbelastningssikring. Hvis der sker en overbelastning, vil kontakten springe ud. Hvis dette sker, skal du vente i flere minutter og derefter trykke på kontakten for at nulstille maskinen.

INDSTILLING AF SNITDYBDEN

Se figur 9.

⚠ ADVARSEL

Høvl aldrig mere end 3 mm på en omgang, og forsøg aldrig at høvle et bræt under 127 mm (5") i længden. Bær altid ansigtsværn.

- For at justere skæredybden skal du dreje håndsvinget til højdejustering af kutterhovedet i de retninger, der er markeret øverst på høvlen. Dybden af skærejusteringen kan aflæses af skæredybdemålingen. Justeringsintervallet er 1,6 mm pr. omdrejning på håndsvinget.
- Start altid dit arbejde ved at foretage en let høvlebevægelse. Skæredybden på efterfølgende behandlinger kan øges med op til 3 mm, men husk, at en let skærebevægelse skaber en finere finish end en hårdere skærebevægelse.
- Tykkelsen af det tømmer, der kører gennem høvlen, bestemmes af den afstand, du indstiller skæreklingen fra bordet.
 - Undlad at høvle træ med en tykkelse på mindre end 7 mm.
 - Undlad at høvle træ, der er tykkere end 153 mm (6").

JUSTER SKÆREDYBDEMÅLINGEN.

Se figur 9.

For sikker betjening af din høvl er det meget vigtigt, at skæredybdemålingen aflæses nøjagtigt. For at justere skæredybdemålingen kan du følge disse trin nedenfor:

- Indfør et bræt til høvling. Sammenlign den opmålte tykkelse af brættet med aflæsningen af skæredybden.

Dansk

- Hvis aflæsningen af skæredybden ikke er korrekt, kan du løse skruen, som strammer plastikmarkøren og justere i henhold hertil.
- Når du har indstillet skæredybdemålingen korrekt, skal du afprøve aflæsningen ved at høvle et stykke affaldstømmer. Efter du har høvlet, skal du måle den høvlede tykkelse og kontrollere den en ekstra gang i forhold til aflæsningen. De to opmålinger burde være ens. Juster skæredybdemålingen igen for at aflæse den afhøvlede tykkelse, hvis det er nødvendigt.

FJERNELSE AF HØVLENS KLINGER

Se figur 10-12.

For at fjerne klingerne bedes du følge trinene nedenfor:

⚠ ADVARSEL

Træk dit produkt ud af strømkilden, før du fjerner klingerne.

- Fjern støvslisken ved at fjerne de fire cylinderskruer med indvendig sekskant på den.
- Løsgør låseskinne og klinge ved at dreje drivskruerne i urets retning. Klingerne er fjederspændte, og vil blive skubbet ud, når samlingen løsnes.
- Tag klingen ud, og dernæst klingens låseskinne.

INSTALLERING/UDSKIFTNING AF HØVLENS KLINGER

Se figur 12.

For at installere klingerne skal du følge trinene nedenfor:

- Fjern klingerne i overensstemmelse med instruktionerne i "FJERNELSE AF HØVLENS KLINGER".
- Fjern al affald fra høvlens kutterhoved.
- Tilpas klingens låseskinne i kutterhovedets åbning.
- Tilpas klingen i åbningen på kutterhovedet, og stram låseskinnens klingesamling ved at dreje drivskruerne imod urets retning. Sørg for, at klingen vender i den korrekte retning og er centreret i åbningen.
- Indstil klingens højde i overensstemmelse med instruktionerne i "INDSTILLING AF KLINGENS HØJDE". Klingens højde skal indstilles igen, hver gang klingen tages ud af en hvilken som helst årsag.
- Sørg for at udskifte støvslisken, efter klingerne er blevet installeret.

INDSTILLING AF KLINGENS HØJDE

Se figur 13-14.

- For at opnå en klingebeskyttelse på 1,1 mm skal du anbringe indstillingsmåleren til klingen på

kutterhovedet, så begge styr hviler fast mod klingen.

- Løsgør samlingen ved at dreje de syv drivskruer i urets retning med en gaffelnøgle.
- Når klingen er blevet presset til den påkrævede højde af styrene på måleren, skal du stramme samlingen igen ved at dreje drivskruerne imod urets retning. Sørg for at alle syv drivskruer er strammet sikkert.

⚠ ADVARSEL

Klingens kant kan nemt blive beskadiget. Vær forsigtig, når du håndterer måleren i nærheden af klingerne for at undgå at beskadige dem.

⚠ ADVARSEL

Samlingen skal strammes sikkert for at forhindre ulykker under udførelse af høvlearbejdet.

TILSLUTNING AF ET STØVOPSAMLINGSSYSTEM

Se figur 19.

Støv, som opstår i forbindelse med brug af dette værktøj, kan være sundhedsfarligt. Anvend et støvsugesystem, og fjern omhyggeligt ophobet støv, f.eks. med en støvsuger.

For at tilslutte et støvopsamlingssystem:

- Træk værktøjets stik ud af stikkontakten.
- Forbind støvopsamlingssystemets dyse til støvporten.

Rengør støvopsamlingssystemets slange ofte for at forhindre ophobning af støv.

JUSTERING

SÅDAN FÅR DU KUTTERHOVEDET OG ARBEJDSBORDET TIL AT VÆRE PARALLELT

Se figur 15-18.

Hølv et arbejdsemne, og mål tykkelsen bagefter. Hvis tykkelsen er forskellig på begge sider af arbejdsemnet, skal du gøre følgende:

Tilpas kutterskaftet og arbejdsbordet, så de er parallelle. De værktøjer, der anvendes til at kontrollere, er vist i figur 15. Anvend hårdt træ til at lave en værktøjsmåleklods i overensstemmelse med størrelsen vist i figuren. Foretag justeringerne i henhold til følgende procedurer.

- Fjern håndsvinget til højdejustering samt både top- og sidedæksler ved at fjerne unbracoskruerne for at afdække låsemøtrikkerne til højdejustering.
- Løsgør justeringslåseboltene.
- Juster låsemøtrikkerne til højdejustering op eller ned som påkrævet, så de passer til måleklodsens.



Dansk

- Når den ønskede højdeindstilling er nået, skal du stramme låsemøtrikkerne på plads.
- Genmonter side- og topdæksler, og sæt håndsvinget til højdejustering på igen.

BEMÆRK: Fjern måleklodsen, før du starter maskinen.

Tykkelseshøvling er dimensionering af et materiale til en ønsket tykkelse, mens man samtidig skaber en glat overflade parallelt med den modsatte side af brættet.

Kunsten ved tykkelseshøvling består hovedsageligt i, at man anvender god dømmekraft i forhold til skæredybden i forskellige situationer. Du skal tage følgende med i betragtning:

1. Træets bredde
2. Træets hårdhed
3. Træets fugtighed
4. Træets glathed
5. Årernes retning
6. Årernes struktur

Du kan opnå viden om, hvordan disse faktorer kan påvirke kvaliteten af dit arbejde igennem erfaring. Når du påbegynder arbejdet med en ny type træ, eller træ, der er usædvanligt svært at arbejde med, skal du altid teste ved at høvle i et affaldsmateriale, før du begynder at arbejde på det faktiske stykke.

FOR YDERLIGERE HØVLING

Hvis der er behov for at høvle yderligere for at opnå en ønsket tykkelse eller finish, skal du ikke manuelt justere kutterhovedet mere end 3 mm (på et hvilket som helst tidspunkt), og udfør derefter endnu en behandling.

ADVARSEL

Høvl aldrig mere end 3 mm på en omgang, og forsøg aldrig at høvle et bræt under 127 mm (5") i længden. Bær altid ansigtsværn.

VEDLIGEHOLDELSE

ADVARSEL

Sørg altid for, at stikket er trukket ud af lysnetkontakten, inden der foretages indstillinger, smøring eller andet arbejde, herunder vedligeholdelse, på produktet.

GENSLIBNING AF KLINGEN

Hvis det er nødvendigt at slibe klingens klinge igen, må du kun slibe det kileformede område.

SMØRING

- Den anbefalede smøring af rullekæder anvendt til mellem til lav betjening består blot i at tørre kæden ren. Hvis der er blevet ophobet ekstra meget støv eller høvlspåner, skal du smøre kæden med en let film af olie, men hæl aldrig olien direkte på kæden. Oversmøring har en tendens til at fremskynde ophobningen af støv og høvlspåner, så det bliver arbejdet ind i dele af kæden, hvilket fører til øget slid og for tidlig udskiftning. Dette gælder for hastighedsreducerings- og højdejusteringskæder så vel som løfteskruer.
- Lejerne på kutterhovedet er blevet smurt og forsejlet på forhånd på fabrikken. De kræver ikke yderligere opmærksomhed.

PERIODISK VEDLIGEHOLDELSE

- Opbygningen af savstøv og andre rester kan få din maskine til at høvle upræcist. Periodisk rengøring er obligatorisk for præcisionshøvling og anbefales kraftigt.
- Tætte tilpasningsdele, som f.eks. låseskinner og høvlens kutterhovedåbninger, skal rengøres med en børste; fjern klæbende fremmeddele. Genanbring derefter alle dele på deres respektive pladser let fugtet med olie.
- Fjern harpiks og andre ophobninger fra indføringsruller og bordet med et ikke-brændbart opløsningsmiddel.

TRANSPORT OG OPBEVARING

Når produktet transporteres, skal strømledningen trækkes ud og produktet afmonteres. Bær produktet ved hjælp af håndtagene på begge sider af rammen. Opbevar produktet på et sikkert sted, der er utilgængeligt for børn.

Rengør produktet med en børste og støvsuger, inden det stilles til opbevaring.

MILJØBESKYTTELSE



Råmaterialerne skal genbruges og ikke bortskaffes som almindeligt affald. Af hensyn til miljøet skal redskab, tilbehør og emballage sorteres.

SYMBOL



Sikkerhedsadvarsel



Dansk



CE-overensstemmelse



Læs venligst vejledningen omhyggeligt inden start af produktet.



Klasse II, dobbeltisoleret



Benyt høreværn



Brug altid øjenværn.



Klingens rotationsretning



Maksimal høvledybde pr. omgang



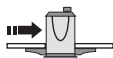
Minimal høvlslængde



Maksimal høvlebredde



Høvlsløjde



Indføringshastighed



Klingens længde



Sænk klingen



Hæv klingen



Elektriske affaldsprodukter bør ikke afskaffes sammen med husholdningsaffald. Genbrug venligst hvor faciliteterne tillader dette. Tjek med din lokale kommune eller forhandler for genbrugsråd.



Dansk

FEJLFINDING

Problem	Mulig årsag	Løsning
Årer er knudrede.	<ol style="list-style-type: none"> 1. Høvling af træ med et højt fugtighedsindhold. 2. Klingerne er sløve. 	<ol style="list-style-type: none"> 1. Tør træet. 2. Slib klingerne.
Åre er flosset.	<ol style="list-style-type: none"> 1. Skærebevægelsen er for hård. 2. Klingerne skærer mod årerne. 3. Klingerne er sløve. 	<ol style="list-style-type: none"> 1. Revurder korrekt skæredybde. 2. Indfør arbejdsemnet med åren, eller vend arbejdsemnet rundt. 3. Slib klingerne.
Åre er knudret/stikker ud.	<ol style="list-style-type: none"> 1. Klingerne er sløve. 2. Skærebevægelse er for hård. 3. Fugtindholdet er for højt. 4. Kutterhovedets lejer er beskadige. 	<ol style="list-style-type: none"> 1. Slib klingerne. 2. Revurder korrekt skæredybde. 3. Tør træet. 4. Udskift lejerne.
Ujævn skæredybde fra side til side.	<ol style="list-style-type: none"> 1. Klingebeskyttelse er ikke ensartet. 2. Kutterhoved er ikke nivelleret til høvlens fundament. 	<ol style="list-style-type: none"> 1. Juster klingebeskyttelsen. 2. Nivellerer kutterhovedet i forhold til bordet.
Træbrættets tykkelse matcher ikke målingen af skæredybden.	<ol style="list-style-type: none"> 1. Målingen af skæredybden er ukorrekt. 	<ol style="list-style-type: none"> 1. Juster skæredybdemålingen.
Kæden hopper.	<ol style="list-style-type: none"> 1. Kædehjul sidder skævt. 2. Kædehjul er slidte. 	<ol style="list-style-type: none"> 1. Få kædehjulene til at flugte. 2. Udskift kædehjulet.
Værktøj vil ikke starte/genstarte.	<ol style="list-style-type: none"> 1. Værktøj er ikke sat i stikkontakten. 2. Motorfejl. 3. Ledning er løs. 4. Nulstilling af overbelastning mislykkedes. 5. Fejl ved motorstarter. 	<ol style="list-style-type: none"> 1. Kontroller strømkilden. 2. Kontroller motoren. 3. Få motoren kontrolleret af en autoriseret servicetekniker. 4. Lad maskinen køle ned, og genstart. 5. Få motorstarteren kontrolleret af en autoriseret servicetekniker.
Gentagne kredsløbsudfald, der resulterer i motorstop.	<ol style="list-style-type: none"> 1. Forlængerledning er for lang eller for tynd. 2. Klinger er for sløve. 3. Kører ved lav spænding. 	<ol style="list-style-type: none"> 1. Anvend en kortere eller tyndere forlængerledning. 2. Slib, eller udskift klingerne. 3. Kontroller spændingen.
Dårlig indføring af tømmer.	<ol style="list-style-type: none"> 1. Høvlbordet er beskidt. 2. Indføringsruller er beskadiget. 3. Kædehjul er beskadiget. 4. Fejl ved gearkasse. 	<ol style="list-style-type: none"> 1. Rengør den vinklede del for eventuelle rester, og smør høvlbordet. 2. Udskift indføringsrulle. 3. Udskift kædehjulet. 4. Kontroller gearkassen.
Arbejdsemne sidder fast.	<ol style="list-style-type: none"> 1. Utilstrækkelig højdeindstilling af høvl. 	<ol style="list-style-type: none"> 1. Indstil klingens til den korrekte højde.





Svenska

BESKRIVNING

1. Toppskydd
 2. Vevhandtag för justering av skärhuvudets höjd
 3. Skala för skärdjup
 4. Strömbrytare
 5. Överlastbrytare
 6. Bordsförlängning
 7. Låsskruvar för basen
 8. Fötter
 9. Låsskruv för höjningsknappen
 10. Påskjutarstav
 11. Mätverktyg för bladinställning
 12. Sexkantsnyckel
 13. U-nyckel
 14. Indikator av plast
 15. Spånschakt
 16. Skruvar med sexkantshål
 17. Tvingskruvar
 18. Mätverktyg för bladinställning
 19. Låsribba
 20. Låsskruvar
 21. Sägklingas
 22. Fjäder
 23. Insexskruvar
 24. Mutter för höjdjustering
- Säkerhet, prestanda och pålitlighet har fått högsta prioritet vid utformningen av din planhyvel.

ANVÄNDNINGSSOMRÅDE

Planhyveln är avsedd för hyvling av trä.
Använd inte produkten på annat sätt än vad som anges för normalt bruk.

ALLMÄNNA SÄKERHETSFORESKRIFTER

VARNING

Grundläggande säkerhetsåtgärder ska alltid följas för att minska risken för brand, elektrisk stöt och personskada när du använder elektriska verktyg. Läs alla instruktioner innan du försöker använda den här produkten och spar instruktionerna för senare bruk.

- **Se till att arbetsplatsen är ren och välstädad.** Röriga och smutsiga arbetsplatser och arbetsbord utgör en risk för personskador.
- **Besiktiga arbetsplatsen.** Utsätt inte verktygen för regn. Använd inte verktygen på fuktiga eller blöta platser. Håll arbetsområdet väl upplyst. Använd inte verktygen i närheten av brännbara vätskor eller gaser.

- **Skydda dig mot elektriska stötar.** Undvik kroppskontakt med jordade ytor (så som rör, element, spisar och kylskåp).
- **Se till att andra personer håller sig på behörigt avstånd.** Låt inte andra personer, i synnerhet barn, utföra någon del av arbetet eller röra verktyget eller förlängningssladden; se också till att de håller sig på behörigt avstånd från arbetsplatsen.
- **Förvara verktyg avstängda.** När verktygen inte används ska de förvaras på en torr plats med lås där inte barn kan komma åt dem.
- **Använd inte kraft mot verktyget.** Verktyget fungerar bäst och mest effektivt om du jobbar i den takt som det är avsett för.
- **Använd korrekt verktyg.** Försök inte göra jobb som bäst utförs med stora och kraftigt verktyg med små verktyg. Använd endast verktygen för de ändamål som de är avsedda för; försök till exempel inte kapa kvistar eller stockar med en cirkelsåg.
- **Klä dig korrekt.** Bär inga löst åtsittande kläder eller smycken som kan fastna i rörliga delar. Användning av skor med halkskydd rekommenderas vid arbete utomhus. Bär hårskydd som skyddar långt hår.
- **Använd skyddsutrustning.** Använd skyddsglasögon. Använd en ansikts- eller dammask om arbetsuppgiften producerar mycket damm.
- **Anslut utrustning för dammsugning.** Om tillbehör för dammsug och dammupsamling finns tillgängliga för verktyget, kontrollera att dessa är monterade korrekt och används på rätt sätt.
- **Skada inte sladden.** Dra i kontakten när du drar ut elsladden ur vägguttaget, aldrig i själva sladden. Håll sladden borta från värme och vassa kanter.
- **Säkert arbetssätt.** När det är möjligt, använd alltid klämmor eller skruvstäd för att hålla fast arbetsstycket. Det är säkrare än att använda händerna.
- **Sträck dig inte.** Ha alltid ett bra fotfäste och en god balans.
- **Underhåll verktyget försiktigt.** Se till att hålla skärverktyget vasst och verktyget rent för ett bättre och säkrare arbete. Följ instruktionerna för smörjning och byte av tillbehör. Besiktiga verktygens elsladdar regelbundet och lämna in dem för reparation hos ett auktoriserat servicecenter om du upptäcker skador på dem. Kontrollera förlängningssladden regelbundet och byt ut om den är skadad. Håll handtagen torra, rena och fria från olja och fett.
- **Koppla bort verktyg.** Alla verktyg ska slås av och deras elsladdar dras ut ur vägguttagen när de inte används, innan service eller när någon del ska bytas ut, t.ex. tillbehör, kapskiva, bits, skäranordningar.





Svenska

- **Ta bort justeringsnycklar och -verktyg.** Ta för vana att kontrollera att nycklar och skiftnycklar är bortplockade från verktyget innan det startas.
- **Undvik oavsiktlig start.** Försäkra dig om att huvudströmbrytaren står i läget "off" (av) när du sätter i kontakten.
- **Använd endast förlängningssladdar som har godkänts för utomhusbruk.** När verktyget används utomhus ska endast förlängningssladdar som är anpassade och märkta för utomhusbruk användas.
- **Var på din vakt.** Tänk hela tiden på vad du gör, använd sunt förnuft och använd inte verktyget när du är trött.
- **Kontrollera delarna för att upptäcka eventuella skador.** Innan ytterligare användning av verktyget sker ska det noggrant kontrolleras för att avgöra om det kan fungera och fylla sin funktion fullt ut. Kontrollera att rörliga delar sitter som de ska och kan röra sig obehindrat och att inga delar eller fästen är trasiga; kontrollera även andra saker som kan påverka användningen. Ett skydd eller en annan del som är skadad måste repareras ordentligt eller bytas ut av ett auktoriserat servicecenter om ingenting annat anges i den här handboken. Låt ett auktoriserat servicecenter byta ut trasiga strömbrytare. Använd inte verktyget om du inte kan stänga av och sätta på det med strömbrytaren.
- **Varning.** Användning av några andra typer av tillbehör än de som rekommenderas i denna användarhandbok kan innebära risk för personskador.
- **Om verktyget måste repareras bör detta göras av en kvalificerad person.** Detta elverktyg uppfyller alla viktiga säkerhetsbestämmelser. Reparationer får endast utföras av kvalificerad personal som använder originalreservdelar; i annat fall kan användaren utsättas för stora risker.

SÄKERHETSANVISNINGAR FÖR PLANHYVEL

- Bär alltid skyddsglasögon och hörselskydd när du använder det eldrivna verktyget.
- Använd handskar vid hantering av skärmaskinen och grova material för att undvika skador från skarpa kanter.
- Använd en hel ansiktsmask eller en mask som skyddar mot damm, om arbetet alstrar mycket damm.
- Kontrollera att alla fästskruvar är ordentligt åtdragna före start av maskinen.
- Stoppa alltid motorn och koppla från strömkällan innan du gör några justeringar.
- Säkerställ att alla skydd finns på plats före drift.
- Läs användarmanualen noggrant och bekanta dig

med maskinen före användning.

- Tvinga inte arbetsmaterial igenom maskinen. Låt produkten använda korrekt matningshastighet.
- Kontrollera då och då matningsrullarna, och säkerställ att inte sågspån och träflisor har fastnat mellan några komponenter. Om rullarna inte sitter stadigt kommer matarrullarna inte att hålla fast träet ordentligt mot underlaget och återstuds kan uppkomma.
- Kontrollera och säkerställ att rullarnas bord ligger på samma plan som arbetsbordet när du hyvlar trä, och att rullarna kan rotera fritt när långa arbetsstycken planhyvlas.
- Använd produkten endast för att planhyvla torra träplankor.
- Använd trä av god kvalitet, utan torrkvistar och med så få fasta kvistar som möjligt.
- Stå aldrig direkt framför inmatnings- eller utmatningssidan. Stå alltid vid sidan av maskinen.
- Försäkra dig om att arbetsstycket är fritt från spik, skruvar, stenar och andra främmande föremål som kan skada bladen.
- Säkerställ att bladen är korrekt fästa i enlighet med instruktionerna.
- Var försiktig vid hantering av bladen och skärhuvudet. Bladen är vassa och kan lätt orsaka skärskador.
- Låt skärhuvudet nå full hastighet före användning.
- Använd påskjutarstaven istället för händerna när du ska mata in den sista delen av arbetsstycket mot bladen. Påskjutarstaven ska förvaras på arbetsbordet när den inte används.
- Använd blad som är korrekt slipade och underhållna.
- Använd endast blad som är avsedda för produkten.
- Se till att planhyveln är fast monterad innan användning. Var extra noga med stabiliteten när långa arbetsstycken planhyvlas.
- Håll händerna borta från sågbladet när det rör sig.
- Säg inte djupare än 3 mm (1/8").
- Bär ögonskydd som motsvarar lokala säkerhetsnormer.
- Ta inte bort bitar som fastnat innan sågbladet har stannat och maskinen är AV.





Svenska

⚠ VARNING

Utför aldrig följande manövrer:

- Stoppat arbete (dvs. en skärprocess som inte inbegriper hela arbetsstyckets längd)
- Planhyvling av utsparingar, utsprång eller formade partier
- Planhyvling av mycket böjt trä som inte har adekvat kontakt med matarbordet

SPÄRRAR SOM FÖRHINDRAR ÅTERSTUDS

Se bild 2.

- En spärr som förhindrar återstuds är en anordning som, om den installerats och underhållits korrekt, är avsedd att hindra arbetsstycket från att studsas tillbaka mot bladets front under drift.

UNDVIKA ÅTERSTUDS

- Använd alltid korrekt djupinställning för bladet. Kontrollera arbetsstycket avseende kvistar eller spik innan du påbörjar en skärprocess. Slå ut torrkvistar med en hammare. Skär aldrig in i ett torrkvist eller en spik.
- Använd alltid, rena, vassa och korrekt monterade blad.
- Använd aldrig produkten med slöa blad.
- För att undvika att klämma bladet, se till att arbetsstycket har ordentligt stöd innan du påbörjar processen.
- Använd ett stadigt, jämnt tryck vid planhyvling. Använd aldrig kraft på produkten.
- Planhyvla inte vått eller böjt trä.
- Håll alltid arbetsstycket stadigt med båda händerna, och se till att du har kroppen i en balanserad position så att du är redo att hålla emot återstuds. Stå aldrig direkt i linje med trästycket.

RESIDUALRISK

Även om produkten används enligt instruktionerna går det inte att eliminera alla eventuella riskfaktorer. Användaren ska vara extra noga och uppmärksam med dessa punkter för att minska risken för allvarlig personskada.

- Hörselskador – Använd lämpliga hörselskydd och begränsa exponeringen.
- Synskador – Bär skyddsglasögon vid användning av produkten.
- Skador på andningsorgan på grund av damm som skapas vid användning av produkten – Använd lämplig skyddsutrustning beroende på typ av damm.

ELEKTRISKA ANSLUTNINGAR

Denna produkt drivs av en precisionsbyggd elmotor. Det ska endast anslutas till en elförsörjning med spänning 220~240V AC, 50 Hz (normal hushållsel). Anslut inte den här produkten till likströmsnät (DC). Ett stort spänningsfall kan orsaka effektförlust och motorn kommer att överhettas. Dubbelkontrollera strömförsörjningen om produkten inte fungerar normalt när den är ansluten till ett vägguttag.

HASTIGHET OCH ELDRAGNING

Hastigheten utan belastning för det här verktyget är ungefär 9000 RPM. Hastigheten är inte konstant och minskar under belastning eller vid låg spänning. När det gäller spänning är eldragningen lika viktig som motorns antal hästkrafter. En krets som är avsedd för endast belysning klarar inte av ett elverktyg. En strömsladd som är tillräcklig för en kort sträcka kommer att vara för klen för längre sträckor. En krets som kan driva ett elverktyg kan kanske inte driva ytterligare ett eller två elverktyg.

För att minska risken får en skadad strömsladd endast repareras av tillverkaren eller ett auktoriserat servicecenter.

Anslut endast produkten till vägguttag där dess stickkontakt passar. Använd inte produkten med en adapter.

Av säkerhetsskäl är det viktigt att alla reparationer utförs på en serviceverkstad som godkänts av RYOBI.

Jordfelsbrytare skall finnas för den krets/kretsar eller uttag som används för produkten. Eluttag med inbyggd jordfelsbrytare finns tillgängliga och kan användas för att få denna typ av säkerhet.

Om produkten används med en förlängningssladd, se till att kopplingen mellan verktygets strömsladd och förlängningssladden inte befinner sig på marken/golvet. Tilläggsmaskiner ska alltid kopplas in i vägguttag och inte i samma uttag som huvudmaskinens strömsladd eller förlängningssladd.

Om det inte finns något skyddat uttag får produkten inte användas innan ett uttag har anpassats eller ett extra skydd har anskaffats. Dessa extra skyddsanordningar finns hos din lokala återförsäljare.

LISTA ÖVER LÖSA DELAR

Artikel	Beskrivning	St.
2	Vevhandtag för justering av skärhuvudets höjd	1
7	Låsskruvar för basen	4
8	Fötter	4
9	Låsskruv för höjningsknappen	1



Svenska

10	Påskjutarstav	1
11	Mätverktyg för bladinställning	1
12	Sexkantsnyckel	2
13	U-nyckel	1

HOPSÄTTNING

FLYTTA PLANHYVELN

Se bild 3.

- Produkten kan bäras med hjälp av handtagen på båda sidor av ramen. Kontrollera att bordsförlängningarna är infällda innan produkten flyttas.

INSTALLERA FÖTTER

- Fäst fötterna i hörnen på produktens undersida.

MONTERA PLANHYVELN PÅ ETT TRÄUNDERLAG

Se bilderna 5-6.

- Om planhyveln inte har monterats på en hyvelställning kan den monteras på två trästycken. Detta ger maximal stabilitet.
- Välj två trästycken med de storlekar som visas i figuren. Montera produkten på träytan.
- Använd de fyra låsskruvarna för basen (medföljer) för att montera planhyvelns bas på trästyckena.

MATERIALUPPLAG

Se bild 7.

- Materialupplaget ovanpå planhyveln erbjuder bekväm hantering av material för påföljande skärprocesser. Material som placerats ovanpå maskinen kan enkelt dras ner av operatören för hyvling.

ANVÄNDNING

AV/PÅ-KNAPP

Se bild 8.

- För att slå på produkten, tryck på knappen I. För att slå av, tryck på knappen O.

⚠ VARNING

Försäkra dig alltid om att brytaren står i läget OFF (av) innan planhyveln ansluts till strömkällan.

ÖVERLASTBRYTARE

Se bild 8.

- Maskinen är försedd med en överlastbrytare för att skydda mot överlast. Om överlast uppstår aktiveras brytaren och skjuts ut. Om detta händer, vänta några minuter och tryck sedan på brytaren för att återställa maskinen.

JUSTERA DJUPET I SNITTET

Se bild 9.

⚠ VARNING

Planhyvla aldrig mer än 3 mm i en passage och försök aldrig att planhyvla en bräda som är kortare än 127 mm (5"). Använd alltid ett ansiktsskydd.

- För att justera skärdjupet, vrid skärhuvudets vevhandtag för höjjustering i de riktningar som har markerats ovanpå planhyveln. Justeringen av skärdjup kan avläsas på skalan för skärdjup. Justeringen är inställd på 1,6 mm per vevhandtagsvarv.
- Påbörja alltid ditt arbete genom att göra ett grunt hyvelskär. Djupet på följande skär kan ökas med upp till 3 mm, men kom ihåg att ett grundare skär ger en bättre finish än ett djupare.
- Tjockleken på det trä som passerar genom planhyveln bestäms av det avstånd mellan skärblad och bord som du har ställt in.
 - Planhyvla inte trä som är tunnare än 7 mm.
 - Planhyvla inte trä som är tjockare än 153 mm (6").

JUSTERA SKALAN FÖR SKÄRDJUP.

Se bild 9.

För säker användning av planhyveln är det mycket viktigt att skalan för skärdjup ger korrekta uppgifter. För att justera skalan för skärdjup, följ nedanstående steg:

- Mata in en bräda för planhyvling. Jämför den uppmätta tjockleken på brädan med vad som kan avläsas på skalan för skärdjup.
- Om det som kan avläsas på skalan för skärdjup är felaktigt, lossa skruvarna som håller fast indikatorn av plast och justera till korrekt värde.
- Efter att du justerat skalan för skärdjup, testa avläsningen genom att planhyvla ett kasserat trästycke. Efter planhyvlingen, mät den hyvlade tjockleken och kontrollera på nytt mot vad som kan avläsas på skalan. De två mätten bör nu vara likadana. Justera skalan för skärdjup ytterligare vid behov.

AVLÄGSNA HYVELBLADEN

Se bilderna 10-12.

För att avlägsna bladen, följ stegen nedan:



Svenska

⚠ VARNING

Koppla från produkten från strömkällan innan bladen avlägsnas.

- Ta bort spånschaktet genom att lossa de fyra skruvarna med sexkantshål på detta.
- Lossa låsribban och bladet genom att vrida tvingskruvarna medurs. Bladen är fjäderförspända och trycks utåt när komponentgruppen lossas.
- Ta ut bladet och därefter bladets låsribba.

MONTERA/ERSÄTTA HYVELBLADEN

Se bild 12.

För att montera bladen, följ stegen nedan:

- Avlägsna bladen enligt anvisningarna i "AVLÄGSNA HYVELBLADEN".
- Rensa bort allt skräp från planhyvelns skärhuvud.
- Passa in bladets låsribba i slitsen på skärhuvudet.
- Passa in bladet i slitsen på skärhuvudet och dra åt komponentgruppen med låsribban och bladet genom att vrida tvingskruvarna moturs. Säkerställ att bladet är vänt åt rätt håll och är centrerat i slitsen.
- Ställ in bladhöjd enligt anvisningarna i "STÄLLA IN BLADHÖJD". Bladhöjden måste ställas in på nytt varje gång bladen av något skäl har avlägsnats.
- Glöm inte att sätta tillbaka spånschaktet efter att bladen installerats.

STÄLLA IN BLADHÖJD

Se bilderna 13-14.

- För att bladet ska skjuta ut 1,1 mm, placera mätverktyget för bladinställning på skärhuvudet med båda guiderna stadigt på plats mot bladet.
- Lossa komponentgruppen genom att vrida de sju tvingskruvarna medurs med hjälp av en U-nyckel.
- När bladet har pressats till korrekt höjd av mätverktygets guider, dra åt komponentgruppen genom att vrida tvingskruvarna moturs. Kontrollera att alla sju tvingskruvarna är ordentligt åtdragna.

⚠ VARNING

Bladets egg har lätt för att få hack. Var försiktig när du använder mätverktyget nära bladen så att de inte skadas.

⚠ VARNING

Komponentgruppen måste vara säkert åtdragen för att förhindra olycksfall under planhyvlingen.

ANSLUTA ETT SPÅNUPPSAMLINGSSYSTEM

Se bild 19.

Dammet som uppkommer vid arbeten med det här verktyget kan vara skadligt för hälsan. Använd ett spånabsorberingssystem och avlägsna uppsamlade sågspån noggrant, t.ex. med en dammsugare.

För att ansluta ett spånuppsamlingssystem:

- Koppla bort verktyget från eluttaget.
 - Sätt fast munstycket till dammuppsamlingssystemet på dammutblåset.
- Rengör spånuppsamlingssystemets slang ofta för att förhindra att sågspån samlas.

INSTÄLLNING

GÖRA SKÄRHUVUDET OCH ARBETSBORDET PARALLELLA

Se bilderna 15-18.

Planhyvla ett arbetsstycke och mät tjockleken efter hyvlingen. Om tjockleken skiljer sig åt mellan arbetsstyckets båda ändar, gör som följer:

Justera skärskaffet och arbetsbordet så att de är parallella. De verktyg som används för kontroll visas i figur 15. Använd hårt trä för att göra ett måttblock för verktyget, med den storlek som visas i figuren. Utför justeringarna med följande procedurer.

- Avlägsna vevhandtaget för höjdjustering och topp- och sidoskydden genom att lossa insexskruvarna, så att låsmuttrarna för höjdjustering blir åtkomliga.
- Lossa låsmuttrarna för justering.
- Justera låsmuttrarna för höjdjustering uppåt eller nedåt, tills de passar måttblocket.
- När den önskade höjdinställningen har uppnåtts, dra åt låsmuttrarna i detta läge.
- Montera sido- och toppskydden och sätt tillbaka vevhandtaget för höjdjustering.

NOTERA: Ta bort måttblocket innan maskinen startas.

Planhyvling är att hyvla ett material till en önskad tjocklek, samtidigt som man skapar en slät yta som är parallell med brädans motsatta yta.

Konsten att planhyvla består huvudsakligen i att använda gott omdöme avseende skär djupet i olika situationer. Detta måste beaktas:





Svenska

1. Trästyckets bredd
2. Träets hårdhet
3. Träets fuktighet
4. Hur rak brädan är
5. Fibernas riktning
6. Fibernas struktur

Hur dessa faktorer kan påverka arbetets kvalitet kan man endast lära sig genom erfarenhet. När du arbetar med ett nytt träslag eller med ett arbetsstycke med ovanliga problem, gör alltid testhyvlingar på kasserat material innan du börjar arbeta på själva arbetsstycket.

FÖR YTTERLIGARE HYVLING

Om ytterligare hyvling krävs för att få den önskade tjockleken, veva ned skärhuvudet med maximalt 3 mm (vid varje aktuell tidpunkt) och utför ytterligare en passage.

VARNING

Planhyvla aldrig mer än 3 mm i en passage och försök aldrig att planhyvla en bräda som är kortare än 127 mm (5"). Använd alltid ett ansiktsskydd.

UNDERHÅLL

VARNING

Se alltid till att kontakten har tagits ur eluttaget före justeringar, smörjning eller om underhåll ska göras på produkten.

SLIPA BLADET

Om bladet behöver slipas får enbart det kilformade området slipas.

SMÖRJNING

- Den rekommenderade smörjningen för rullkedjor som används vid medeltung till lätt drift är helt enkelt att torka ren kedjan. Om mycket såg- eller hyvelspån etc. har byggts upp, lägg en tunn oljefilm på kedjan. Håll aldrig olja direkt på kedjan. Att använda för mycket olja skyndar på ansamlingen av såg- och hyvelspån och tvingar in dem i kedjelänkarna, vilket leder till ökat slitage och utbyte i förtid. Detta gäller både kedjorna för hastighetsminskning och höjdjustering, samt lyftskruvarna.
- Lagren på skärhuvudet är smorda och förseglade från fabrik. De kräver inga ytterligare åtgärder.

PERIODISKT UNDERHÅLL

- Uppbyggnad av sågspån och annat skräp kan leda till att maskinen planhyvlar oprecist. Periodisk rengöring är nödvändig för precisionshyvling och rekommenderas starkt.
- Tätt monterade delar, som låsribborna och slitsarna i skärhuvudet, ska rengöras med en borste. Avlägsna fastsittande material. Montera sedan tillbaka alla komponenter på sina respektive platser efter att de fuktats något med olja.
- Avlägsna kåda och andra avlagringar från matarrullarna och bordet med ett icke-antändligt lösningsmedel.

TRANSPORT OCH FÖRVARING

Koppla ur strömledaren och montera loss produkten före transport. Bär produkten med hjälp av handtagen på båda sidor av ramen. Förvara produkten på säker plats där inga barn kan komma åt den.

Rengör produkten med en borste eller dammsugare före förvaring.

MILJÖSKYDD



Råmaterialen ska återvinnas i stället för att kastas i hushållsavfallet. För att skona miljön ska verktyget, tillbehören och emballagen sorteras.

SYMBOL



Säkerhetsvarning



CE-överensstämmelse



Läs alla instruktioner noggrant innan du startar produkten.



Klass II, dubbelisolerad



Bär hörselskydd.



Svenska



Bär alltid ögonskydd.



Riktning för bladrotation



Maximalt planhyvlingsdjup per passage



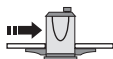
Minsta planhyvlingslängd



Maximal planhyvlingslängd



Planhyvlingshöjd



Matningshastighet



Bladlängd



Sänk sågbladet



Höj sågbladet



Gamla elektroniska produkter ska inte kastas med hushållssoporna. Återvinn där sådana faciliteter finns. Kontrollera med din lokala myndighet eller säljaren för att få återvinningstips.



Svenska

FELSÖKNING

Problem	Möjlig orsak	Lösning
Fibrema är otydliga.	<ol style="list-style-type: none"> 1. Planhyvling av trä med högt innehåll av fukt. 2. Bladen är slöa. 	<ol style="list-style-type: none"> 1. Torka träet. 2. Slipa bladen.
Fibrema är avslitna.	<ol style="list-style-type: none"> 1. Skärdjupet är för stort. 2. Bladen skär mot fiberriktningen. 3. Bladen är slöa. 	<ol style="list-style-type: none"> 1. Kontrollera korrekt skärdjup. 2. Mata fram arbetsstycket i fiberriktningen, eller vänd på arbetsstycket. 3. Slipa bladen.
Fibrema är grova/ uppruggade.	<ol style="list-style-type: none"> 1. Bladen är slöa. 2. Skärdjupet är för stort. 3. Fuktinnehållet är för stort. 4. Skärhuvudets lager är skadade. 	<ol style="list-style-type: none"> 1. Slipa bladen. 2. Kontrollera korrekt skärdjup. 3. Torka träet. 4. Ersätt lagren.
Ojämnt skärdjup från sida till sida.	<ol style="list-style-type: none"> 1. Bladet skjuter ut ojämnt. 2. Skärhuvudet är inte parallellt med planhyvelns bas. 	<ol style="list-style-type: none"> 1. Justera bladets utskjutande del. 2. Ställ in skärhuvudet parallellt med bordet.
Brädans tjocklek stämmer inte med indikeringen på skalan för skärdjup.	<ol style="list-style-type: none"> 1. Skalan för skärdjup är felaktig. 	<ol style="list-style-type: none"> 1. Justera skalan för skärdjup.
Kedjan hoppar.	<ol style="list-style-type: none"> 1. Kugghjulen är felinriktade. 2. Kugghjulen är slitna. 	<ol style="list-style-type: none"> 1. Rikta in kugghjulen. 2. Ersätt kugghjulet.
Vertyget startar inte/omstartar inte.	<ol style="list-style-type: none"> 1. Verktyget är inte anslutet till ström. 2. Motorfel. 3. Kabeln är lös. 4. Återställning av överlast fungerar inte. 5. Startmotorfel. 	<ol style="list-style-type: none"> 1. Kontrollera strömkällan. 2. Kontrollera motorn. 3. Låt motorn kontrolleras av en auktoriserad servicefirma. 4. Låt maskinen svalna och starta om. 5. Låt startmotorn kontrolleras av en auktoriserad servicefirma.
Upprepade kretsavbrott resulterar i att motorn stannar.	<ol style="list-style-type: none"> 1. Förlängningssladden är för lång eller för tunn. 2. Bladen är för slöa. 3. Låg spänning vid drift. 	<ol style="list-style-type: none"> 1. Använd en kortare eller tjockare förlängningssladd. 2. Slipa eller byt ut bladen. 3. Kontrollera spänningen.
Dålig matning av trästycke.	<ol style="list-style-type: none"> 1. Planhyvelns bord är smutsigt. 2. Matarrullen är skadad. 3. Kugghjulet är skadat. 4. Vaxellådan fungerar felaktigt. 	<ol style="list-style-type: none"> 1. Avlägsna kåda och andra rester och smörj planhyvelns bord. 2. Ersätt matarrullen. 3. Ersätt kugghjulet. 4. Kontrollera vaxellådan.
Arbetsstycket har fastnat.	<ol style="list-style-type: none"> 1. Felaktig inställning för bladhöjd. 	<ol style="list-style-type: none"> 1. Ställ in korrekt bladhöjd.





Suomi

KUVAUS

1. Yläsuojalaite
2. Jyrsinpään korkeuden säätökampi
3. Lastuamissyvyysasteikko
4. Virtakytkin
5. Ylikuormakatkaisija
6. Jatkopöytä
7. Alustan lukitusruuvit
8. Jalat
9. Nostonupin lukitusruuvi
10. Työntökapula
11. Teränaasetustulkki
12. Kuusioavain
13. Kiintoavain
14. Muoviosoitin
15. Pölykouru
16. Kuusiokoloruuvit
17. Pakotusruuvit
18. Teränaasetustulkki
19. Lukituskisko
20. Lukitusruuvit
21. Teräs
22. Jousi
23. Kuusiokoloruuvit
24. Korkeudensäätömutteri

Turvallisuus, tehokkuus ja käyttövarmuus ovat tasohöylämme tärkeimpiä ominaisuuksia.

KÄYTTÖTARKOITUS

Tämä höylä on tarkoitettu puun höyläämiseen.

Älä käytä tätä tuotetta millään muulla tavalla kuin sen käyttötarkoituksen mukaiseksi.

YLEISET TURVALLISUUSVAROITUKSET

VAROITUS

Sähkötyökaluja käytettäessä on aina ryhdyttävä varotoimiin tulipalon, sähköiskun ja loukkaantumisen välttämiseksi. Lue kaikki ohjeet ennen tuotteen käyttöä, ja säilytä nämä ohjeet.

- **Pidä työalue esteettömänä.** Sotkuiset alueet ja pöydät voivat aiheuttaa loukkaantumisen.
- **Ota työalue huomioon.** Älä jätä työkaluja sateeseen. Älä käytä laitetta kosteassa tai märässä paikassa. Pidä työalue valoisana. Älä käytä laitetta helposti syttyvien nesteiden tai kaasujen läheisyydessä.
- **Suojaudu sähköiskulta.** Älä kosketa maadoitettuihin pintoihin (kuten putkiin, lämpöpattereihin, helioihin tai jääkaappeihin).

- **Pidä sivulliset etäällä.** Älä anna ulkopuolisten, erityisesti lasten, osallistua työhön tai koskettaa laitetta tai jatkojohtoa, ja pidä heidät poissa työalueelta.
- **Varasto käyttämättömät työkalut.** Käyttämättömän laitteen tulee olla varastoitu kuivaan paikkaan ja pois lasten ulottuvilta.
- **Älä pakota laitetta.** Se hoitaa työt paremmin ja turvallisemmin sillä vauhilla, jota varten se on tarkoitettu.
- **Käytä oikeaa työkalua.** Älä pakota pientä työkalua tekemään järeää työkalua vaativaa työtä. Älä käytä laitetta muuhun kuin sille tarkoitettuun käyttöön; esimerkiksi, älä sahaa pyörösahalla oksia tai tukkeja.
- **Pukeudu asianmukaisesti.** Älä käytä löysiä vaatteita tai koruja, sillä ne voivat tarttua liikkuviin osiin. Ulkotöissä suositellaan käytettävän luistamattomia suojakenkiä. Suojaa pitkät hiukset peittämällä ne.
- **Käytä suojavälineitä.** Käytä suojalaseja. Käytä kasvo- tai pölysuojainta tehdessäsi pölyistä työtä.
- **Kytke pölynimuri.** Jos laitetta varten on pölynpoistaja keräyslaite, kytke se asianmukaisesti ja käytä sitä oikein.
- **Pidä huolta sähköjohdosta.** Älä koskaan irrota laitetta pistorasiasta vetämällä johdosta. Älä päästä johtoa koskettamaan kuumuuden lähteitä, öljyä tai teräviä reunoja.
- **Kiinnitä työkappale.** Kiinnitä työkappale puristimilla tai ruuvipenkillä aina, kun mahdollista. Se on turvallisempaa kuin käden käyttö.
- **Älä kurkota liian kauas.** Säilytä aina kunnollinen jalansija ja tasapaino.
- **Huolla laite huolella.** Pidä leikkuutyökalut terävinä ja puhtaina, jotta ne toimisivat paremmin ja turvallisemmin. Noudata voitelua ja lisävarusteiden vaihtoa koskevia ohjeita. Tarkista laitteen sähköjohdot säännöllisesti, ja jos ne ovat vioittuneet, korjauta ne valtuutetussa huoltopisteessä. Tarkista jatkojohto säännöllisesti ja vaihda se, jos se on vioittunut. Pidä kädensijat kuivina ja puhtaina liasta, öljystä ja rasvasta.
- **Irrota laitteet.** Irrota pistoke, kun laitetta ei käytetä, ennen huoltoa ja vaihtaessasi lisävarusteita, kuten teriä ja leikkureita.
- **Poista säätöavaimet ja kiintoavaimet.** Opi tarkistamaan, että kaikki avaimet ja muut työkalut on poistettu laitteesta ennen sen käynnistämistä.
- **Älä anna koneen käynnistyä vahingossa.** Tarkista laitetta pistorasiaan kytkiessäsi, että se on "off"-asennossa.
- **Käytä ulkokäyttöön tarkoitettuja jatkojohtoja.** Kun laitetta käytetään ulkona, käytä sen kanssa ainoastaan jatkojohtoja, jotka on tarkoitettu ulkokäyttöön ja jotka





Suomi

on niin merkitty.

- **Ole valpas.** Katso mitä teet, käytä tervettä järkeä äläkä käytä laitetta, kun olet väsynyt.
- **Tarkista voittuneet osat.** Ennen kuin painepesurin käyttöä jatetaan, se tulee tarkistaa huolella jotta voidaan olla varmoja, että ne toimivat kunnolla ja asianmukaisesti. Tarkista, että liikkuvat osat on kohdistettu oikein ja että ne liikkuvat kunnolla, että osia ei ole rikkoutunut, että osat on asennettu oikein ja että mikään muu seikka ei haittaa koneen toimintaa. Valtuutetun huoltopisteen on korjattava tai vaihdettava voittunut suoja tai muu osa, ellei näissä käyttöohjeissa toisin mainita. Vaihdata vialliset katkaisimet valtuutetussa huoltopisteessä. Älä käytä laitetta, jos se ei käynnisty ja sammu katkaisimesta.
- **Varoitus.** Muun kuin tässä käsikirjassa suositellun lisälaitteen tai lisäarusteen käyttäminen voi aiheuttaa loukkaantumisvaaran.
- **Anna laite pätevän henkilön korjattavaksi.** Tämä sähkölaite noudattaa asianmukaisia turvallisuussäädöksiä. Laitteen saa korjata vain pätevä henkilö käyttäen alkuperäisiä varaosia; muutoin korjauksesta voi aiheutua huomattava vaara käyttäjälle.

HÖYLÄN TURVALLISUUSVAROITUKSET

- Pidä aina suojalaseja ja kuulosuojaimia, kun käytät sähkötyökaluja.
- Pidä käsineitä, kun käsittelet teräyksikköä ja karkeaa materiaalia, näin vältyt terävien reunojen aiheuttamilta haavoilta.
- Käytä kasvonsuojusta tai kasvonaamaria, mikäli työstä syntyy pölyä.
- Varmista ennen koneen käynnistämistä, että kaikki kiinnitysruuvit on kierretty tiukasti kiinni.
- Sammuta moottori ja irrota kone virtalähteestä ennen kuin teet koneeseen mitään säätöjä.
- Varmista ennen käyttöä, että kaikki suojalaitteet ovat paikoillaan.
- Tutustu koneeseen ennen käytön aloittamista lukemalla valmistajan toimittama käyttöopas huolellisesti.
- Älä koskaan pakota höylättävää kappaletta koneen läpi. Anna koneen käyttää oikeaa syöttönopeutta.
- Tarkista syöttöruulat silloin tällöin varmistaaksesi, että koneen osien väliin ei ole jäänyt sahajauhoa eikä lastuja. Jos rullat eivät istu tukevasti, ne eivät pidä höylättävää puuta lujasti alustaa vasten, mistä voi olla seurauksena takapotku.
- Tarkista ja varmista, että rullapöydät ovat puuta höylättäessä samassa tasossa työpöydän kanssa

ja että rullat pyörivät esteettä pitkiä puukappaleita höylättäessä.

- Höylää koneella ainoastaan kuivava puutavaraa.
- Käytä hyväkuntoista puutavaraa, jossa ei ole löysiä oksia ja tiukkojakin oksia mahdollisimman vähän.
- Älä koskaan seiso suoraan syöttölinjaan - sisäänmeno tai ulostulo - nähden. Seiso aina koneen toisella puolella.
- Varmista, että työkappaleessa ei ole nauvoja, ruuveja, kiviä eikä mitään muitakaan vieraita esineitä, jotka saattaisivat vioittaa teriä.
- Varmista, että terät on asennettu oikein ohjeiden mukaisesti.
- Noudata varovaisuutta käsitellessäsi teriä ja jyrsinpään kokoonpanoa. Terät voivat helposti aiheuttaa haavoja käsiin.
- Käytä konetta vasta kun jyrsinpää on saavuttanut täyden nopeuden.
- Kun työkappaleen loppupää lähestyy teriä, työnnä sitä työntökapulalla, älä käsilläsi. Kun työntökapula ei ole käytössä, sitä tulee säilyttää työpöydällä.
- Terien on oltava terävät ja huolletut.
- Käytä ainoastaan tälle koneelle suunniteltuja leikkuuteriä.
- Varmista ennen käyttöä, että höylä on lujasti kiinni paikallaan. Kiinnitä erityistä huomiota vakauteen, kun höyläät pitkiä työkappaleita.
- Pidä kädet kaukana terästä sen liikkuaessa.
- Älä leikkaa syvemmillä kuin 3 mm (1/8”).
- Käytä paikallisen standardin vaatimukset täyttäviä silmäsuojuksia.
- Älä irrota juuttuneita tai katkaistuja kappaleita ennen kuin terä on pysähtynyt ja virta koneesta katkaistu (OFF).

VAROITUS

Älä koskaan tee seuraavia toimintoja:

- Keskeytä työtä (eli jätä työstämättä työkappaletta koko pituudeltaan)
- Höylää uria, tappeja tai mallineita
- Höylää vääntynyttä puuta, joka ei ole täydellisessä kosketuksessa syöttöpöytäan

TAKAPOTKUN ESTÄVÄT SALVAT

Katso kuvaa 2.

- Takapotkun estävä salpa on turvalaite, joka on suunniteltu oikein asennettuna ja huollettuna





Suomi

estämään työkalualetta sinkoutumasta höyläyksen aikana taaksepäin kohti terää.

TAKAPOTKUN ESTÄMINEN

- Käytä aina oikeaan syvyyteen säädettyä terää. Tarkista työkalupale ennen leikkuuta oksien tai naulojen varalta. Lyö löysät oksat irti vasaralla. Älä koskaa lastua löysää oksaa tai naulaa.
- Käytä aina puhtaita, teräviä ja oikein asennettuja teriä.
- Älä koskaan käytä tyisiä teriä.
- Jotta terä ei jumiuutuisi, tue työkalualetta kunnolla ennen toiminnon aloittamista.
- Paina höylätessä työkalualetta vakaasti ja siten, että paine jakaantuu siihen tasaisesti. Älä koskaan pakota työkalualetta koneelle.
- Älä höylää märkää aläkä vääntynyttä puuta.
- Pidä työkalupaleesta lujasti molemmin käsin kiinni, ja seiso vakaasti mahdollisen takapotkun varalta. Älä koskaan seiso suorassa linjassa työkalupaleeseen.

KÄYTÖN RISKIT

Vaikka tuotetta käytettäisiin ohjeiden mukaisesti, ei ole mahdollista täysin eliminoida tiettyjä käyttöön liittyviä riskitekijöitä. Käyttäjän on kiinnitettävä erityistä huomiota näihin kohtiin vähentääkseen vakavan loukkaantumisen vaaraa.

- Kuulovammat – Käytä asianmukaisia kuulosuojaimia ja rajoita altistumista kovalle metelille.
- Silmävammat – Käytä kasvosuojainta tai suojalaseja käyttäessäsi tuotetta.
- Hengityselinvamma tuotteen käytöstä syntyneen pölyn takia – Käytä pölytyypille sopivaa suojainta.

SÄHKÖLIITÄNNÄT

Tässä laitteessa on täsmätyönä valmistettu sähkömoottori. Sen saa kytkeä ainoastaan vaihtovirranlähteeseen, jonka jännite on 220–240V voltia ja taajuus 50 Hz (tavallinen kotitaloudessa käytettävä virta). Älä käytä tätä laitetta tasavirralla. Suuri jännitteen pudotus katkaisee virran, ja moottori ylikuumenee. Jos laite ei toimi kytkettyinä pistorasiaan, tarkista virtalähde uudelleen.

NOPEUS JA KYTKENNÄT

Laitteen kuormaamaton nopeus on noin 9000 kierr/min. Tämä nopeus ei ole vakio, vaan pienenee kuormituksen ja jännitteen laskiessa. Jännitteen kannalta työpajan sähköjohdot ovat yhtä tärkeitä kuin moottorin teholuokitus. Ainoastaan valoilte tarkoitettu johto ei kestä sähkötyökalun moottoria. Lyhyet matkat kestävä sähköjohto on liian kevyt

pitkille matkoille. Johto, joka tukee yhtä sähkötyökalua, ei välttämättä tue kahta tai kolmea.

Jos virtajohto vioittuu, se on vaihdettava ainoastaan valmistajalla tai valtuutetussa huollossa, jotta vältytään vaaroilta.

Liitä tuote ainoastaan pistoketta vastaavaan pistorasiaan. Älä käytä tuotteen kanssa sovitinta.

Lisäturvallisuuden ja luotettavuuden takaamiseksi kaikki korjaustyöt on annettava valtuutetun RYOBI-huoltokeskuksen tehtäväksi.

Käytettävän koneen virtapiirissä tai pistorasiassa/rasioissa on oltava vikavirtasuojakytkin (VVSK). RCD-suojattuja pistorasioita on tarjolla, ja niitä voidaan käyttää tähän tarkoitukseen.

Jos konetta käytetään jatkojohdolla, varmista, että koneen virtajohdon ja jatkojohdon liittännät eivät ole maassa. Lisälaitteet tulee aina kytkeä seinäpistorasiaan eikä jatkojohtoon, johon sähkötyökalu on kytketty.

Jos suojattua pistorasiaa ei ole, älä käytä konetta ennen kuin pistorasia on vaihdettu tai lisäsuoja käytettävissä. Nämä ylimääräiset suojalaitteet voidaan hankkia paikalliselta jälleenmyyjältä.

OSALUETTELO

Kohde	Kuvaus	Määrä
2	Jyrsinpään korkeuden säätökampi	1
7	Alustan lukitusruuvit	4
8	Jalat	4
9	Nostonupin lukitusruuvi	1
10	Työntökapula	1
11	Teränasetustulkki	1
12	Kuusioavain	2
13	Kiintoavain	1

KOKOAMINEN

HÖYLÄN LIIKUTTAMINEN

Katso kuvaa 3.

- Koneita voidaan nostaa kehikon molemmilla sivuilla olevista kahvoista. Varmista ennen koneen liikuttamista, että jatkopöydät on suljettu.

JALKOJEN ASENTAMINEN

- Liitä jalat kulmiin koneen alle.





Suomi

ASENNA HÖYLÄ PUUALUSTALLE

Ks. kuvat 5-6.

- Jos höylää ei asenneta korokkeelle, suositellaan, että se asennetaan kahden puukappaleen päälle. Näin voidaan taata maksimaalinen vakaus.
- Valitse kaksi kuvan mukaista puukappaletta. Asenna kone puualustalleen.
- Kiinnitä höylä puualustalle koneen toimituksen mukana tulleilla neljällä lukitusruuvilla.

SÄILYTYSPIIKKA TYÖKAPPALEILLE

Katso kuvaa 7.

- Höylän päällä olevalla alustalla on hyvä pitää työkappaleita odottamassa töissä, jotka käsittävät useita toisiaan seuraavia työstöjä. Koneen päällä pidettäviä työkappaleita on helppo ojentaa koneen käyttäjälle höyläämistä varten.

KÄYTTÖ

KÄYNNISTYS/SAMMUTUSKYTKIN

Katso kuvaa 8.

- Kone käynnistetään I-painikkeesta. Kone sammutetaan O-painikkeesta.

VAROITUS

Varmista aina ennen höylän kytkemistä virtalähteeseen, että katkaisija on OFF-asennossa.

YLIKUORMAKATKAISIJÄ

Katso kuvaa 8.

- Koneen ylikuormitussuojaus toteutetaan ylikuormakatkaisijan avulla. Ylikuormitustilanteessa katkaisija työntyy ulos. Jos näin käy, odota muutama minuutti ja paina sitten katkaisijaa koneen nollaamiseksi.

LEIKKAUKSEN SYVYYDEN SÄÄTÄMINEN

Katso kuvaa 9.

VAROITUS

Älä koskaan höylää yhdellä syötöllä 3 mm enempää äläkä koskaan yritä höylätä alle 127 mm:n pituisia työkappaleita. Käytä aina kasv suojusta.

- Lastuamissyvyyttä voit säätää vääntämällä jyrsinpään korkeudensäätökampea höylän päälle merkittyjen ohjeiden mukaisesti. Lastuamissyvyyden säätö

voidaan katsoa lastuamissyvyydsasteikolta. Säädön porrastus on 1,6 mm per kammien kierros.

- Aloita työskentely aina pienellä lastuamissyvyydellä. Lastuamissyvyys toisiaan seuraavissa syötöissä voidaan kasvattaa enintään 3 mm:iin, mutta pidä mielessä, että pienellä lastuamissyvyydellä saadaan viimeistellympi lopputulos.
- Höylän läpi työnnettävän puun paksuutta valvotaan säätämällä leikkuuterän etäisyyttä syöttöpöydän pinnasta.
 - Älä höylää alle 7 mm:n paksuista puuta.
 - Älä höylää yli 153 mm:n paksuista puuta.

SÄÄDÄ LASTUAMISSYVYYDSASTEIKKO.

Katso kuvaa 9.

Höylän turvallisen käytön varmistamiseksi on erittäin tärkeää, että lastuamissyvyydsasteikkoa luetaan tarkasti. Säädä lastuamissyvyydsasteikko seuraavasti:

- Syötä höylättävä puu.
 - Vertaa puun mitattua paksuutta lastuamissyvyydsasteikon lukemaan.
- Jos lastuamissyvyydsasteikon lukema on väärä, löysää muovista osoitinta kiristävää ruuvia ja säädä asteikko.
- Kun olet säätänyt lastuamissyvyydsasteikon oikein, testaa lukema höyläämällä pala joutopuuta. Mittaa sen jälkeen höylätty paksuus ja vertaa sitä vielä kerran asteikon lukemaan. Mittojen pitää olla samat. Säädä tarvittaessa lastuamissyvyydsasteikko uudelleen vastaamaan höylättyä paksuutta.

HÖYLÄNTERIEN IRROTTAMINEN

Ks. kuvat 10-12.

Irrota terät seuraavasti:

VAROITUS

Irrota kone virtalähteestä ennen terien irrottamista.

- Irrota pölykouru irrottamalla sen neljä kuusiokoloruuvia.
- Löysää lukituskisko ja terä pakotusruuveja myötäpäivään kiertämällä. Jousitetut terät työntyvät ulos, kun kokoonpano on löysätty.
- Ota terä ulos, ja sen jälkeen terän lukituskisko.

HÖYLÄNTERIEN ASENTAMINEN / VAHTAMINEN

Katso kuvaa 12.

Asenna terät seuraavasti:

- Irrota terät kohdassa "HÖYLÄNTERIEN IRROTTAMINEN" kerrotun mukaisesti.
- Pyyhi höylän jyrsinpää puhtaaksi sinne kertyneistä





Suomi

höyläysjäämistä.

- Kiinnitä terän lukituskisko jyrinsinpäässä olevaan hahloon.
- Kiinnitä terä jyrinsinpään hahloon ja kiristä lukituskiskon ja terän muodostama kokoonpano pakotusruuveja vastapäivään kiertämällä. Varmista, että terä osoittaa oikeaan suuntaan ja on keskeisesti hahlossa.
- Säädä terän korkeus kohdassa "TERÄN KORKEUDEN SÄÄTÄMINEN" kerrotun mukaisesti. Terän korkeus on säädettävä joka kerta uudelleen aina kun terät on mistä tahansa syystä otettu pois paikoiltaan.
- Muista laittaa pölykouru takaisin paikalleen terien asentamisen jälkeen.

TERÄN KORKEUDEN SÄÄTÄMINEN

Ks. kuvat 13-14.

- Jotta terän suuntaus olisi 1,1 mm, laita teränasetustulkki jyrinsinpään siten, että molemmat ohjaimet ovat tiukasti terää vasten.
- Löysää kokoonpanoa kiertämällä pakotusruuveja (7 kpl) kiintoavaimella myötäpäivään.
- Kun terä on tulkin ohjainten avulla puristettuna halutussa korkeudessa, kiristä kokoonpano takaisin kiinni pakotusruuveja vastapäivään kiertämällä. Varmista, että kaikki seitsemän pakotusruuvia on kiristetty kunnolla.

VAROITUS

Terän reuna on hyvin murtumisaltis. Noudata varovaisuutta käsitellessäsi tulkkia terien lähellä, jotta ne eivät vahingoitu.

VAROITUS

Höyläyksenaikaisten vahinkojen välttämiseksi kokoonpano pitää kiristää huolellisesti.

PÖLYNKERÄYSJÄRJESTELMÄN LIITTÄMINEN

Katso kuvaa 19.

Laitteen synnyttämä pöly saattaa olla terveydelle vahingollista. Käytä pölynimujärjestelmää ja poista kerääntynyt pöly perusteellisesti, esim. imurilla.

Pölynkeräysjärjestelmän liittäminen:

- Irrota laite sähköverkosta.
- Liitä pölynkeruujärjestelmän suukappale pölyaukkoon.

Puhdista pölynkeräysjärjestelmän letku usein, jotta pölyä ei pääse kasaantumaan.

SÄÄTÄMINEN

JYRSINPÄÄN JA TYÖPÖYDÄN MUKAUTTAMINEN TOISIINSA NÄHDEN

Ks. kuvat 15-18.

Höylää työkappale ja mittaa paksuus lastuamisen jälkeen. Jos työkappaleen sivut ovat eripaksuiset, toimi seuraavasti:

Säädä terän akseli ja työpöytä samansuuntaisiksi. Tarkistuksessa käytettävät työkalut esitetään kuvassa 15. Tee tulkkiyökaluyksikkö kovapuun avulla kuvassa esitetyn koon mukaiseksi. Tee säädöt seuraavalla tavalla.

- Irrota korkeudensäätökampi sekä ylä- ja sivusuojat poistamalla kuusiokoloruuvit, jolloin pääset säätämään korkeudensäädön lukitusmutterit.
- Löysää säädön lukitusmutterit.
- Säädä korkeudensäädön lukitusmuttereita ylös- tai alaspäin tulkkiyksikön vaatimusten mukaisesti.
- Kun korkeudensäätö on halutussa korkeudessa, kiristä lukitusmutterit takaisin.
- Laita sivu- ja yläsuojat sekä korkeudensäätökampi takaisin paikoilleen.

HUOM: Irrota tulkkiyksikkö ennen koneen käynnistämistä.

Tasohöyläminen on materiaalin mitoittamista haluttuun paksuuteen, samalla kun työkappaleen toisesta puolesta tulee sileä.

Parhaan höyläystuloksen saavuttaminen vaatii, että lastuamissyvyys osataan säätää oikeaksi eri tilanteissa. Tässä on huomioitava:

1. Puun paksuus
2. Puun kovuus
3. Puun kosteus
4. Työkappaleen suuruus
5. Syiden suunta
6. Syiden rakenne

Näiden tekijöiden vaikutuksen vaikutuksen työn laatuun oppii tietämään vain kokemuksen kautta. Kun työskentelet uudentyyppisen tai epätavanomaisia ongelmia aiheuttavan puun kanssa, tee aina testihöyläys joutopuulla ennen varsinaisen työkappaleen työstämistä.

LISÄHÖYLÄYKSESTÄ

Jos halutun viimeistelypaksuuden saavuttamiseksi tarvitaan lisähöyläys, säädä kammella jyrinsinpäätä enintään 3 mm:iin asti (kulloisenkin tilanteen mukaan) ja syötä työkappale toiseen kertaan.



Suomi

VAROITUS

Älä koskaan höylää yhdellä syötöllä 3 mm enempää äläkä koskaan yritä höylätä alle 127 mm:n pituisia työkaluja. Käytä aina kasvusojusta.

HUOLTO

VAROITUS

Varmista aina, että pistoke on irrotettu pistorasiasta, ennen kuin teet säätöjä, voitelet tuotetta tai suoritat sen huoltoa.

TERÄN TEROITUS

Jos terä vaatii teroituksen, sen saa tehdä ainoastaan kiila-alueelle.

VOITELU

- Suosittelava voitelu käytettäville rullaketjuille on yksinkertaisesti pyyhkiä ketjut puhtaiksi. Jos pölyä, puuhaketta yms. on kertynyt paljon, voit peittää terät ohuella öljykalvolla, mutta älä koskaan kaada öljyä suoraan ketjuille. Liika voitelu edesauttaa pölyn ja puuhakkeen kertymistä, mikä kuluttaa ketjuja enemmän ja johtaa niiden ennenaikaiseen vaihtamiseen. Tämä koskee myös nopeuden vähentämistä, korkeudensäätöketjuja sekä nostoruuveja.
- Jyrsinpään laakerit on voideltu ja tiivistetty tehtaalla. Ne eivät vaadi huomiota.

MÄÄRÄAIKAISHUOLTO

- Sahajauhon ja muun höyläysjätteen kertyminen voi johtaa siihen, että kone alkaa höylätä epätarkasti. Säännöllinen puhdistus on edellytys tarkalle höyläystulokselle ja onkin sen vuoksi erittäin suositeltavaa.
- Lähellä olevat liitososat - kuten lukituskiskot ja höylän jyrsinpään hahlot - pitää puhdistaa harjaamalla; irrota kiinni takertunut vieras materiaali. Laita sen jälkeen kaikki osat takaisin omille paikoilleen ja kostuta ne kevyesti öljyllä.
- Poista syöttöruullista ja -pöydästä pihka ja muu kertynyt materiaali liuottimella, joka ei ole herkästi syttyvä.

KULJETUS JA SÄILYTYS

Jos konetta siirretään, virtajohto on ensin irrotettava, jonka jälkeen kone voidaan poistaa alustaltaan. Nosta konetta kehikon molemmilla sivuilla olevista kahvoista. Säilytä

tuotetta turvallisessa paikassa, johon lapset eivät pääse. Puhdista tuote harjalla tai pölynimurilla ennen tuotteen varastoinnista.

YMPÄRISTÖNSUOJELU



Älä hävitä raaka-aineita jätteinä vaan vie ne kierrätykseen. Ympäristönsuojelun kannalta työkalu, lisävarusteet ja pakkausmateriaali on lajiteltava.

SYMBOLI



Turvallisuusvaroitusta



Todistus CE-sääntöjen noudattamisesta



Lue ohjeet huolella ennen laitteen käyttöä.



Luokka II, kaksoiseristetty



Käytä kuulosuojaimia



Käytä aina suojalaseja.



Terän kiertosuunta



Höyläissyvyys yhdellä pyyhkäisyllä, max.



Höyläyspituus, min.

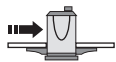


Höyläysleveys, max.



Höyläyskorkeus

Suomi



Syöttönopeus



Terän pituus



Laske terää



Nosta terää



Käytöstä poistettavia sähkölaitteita ei pidä hävittää talousjätteiden mukana. Ne on mahdollisuuksien mukaan pantava kiertoon. Kierrätysohjeita antavat kunnan viranomaiset ja vähittäiskauppiat.



Suomi

VIANKORJAUS

Ongelma	Mahdollinen syy	Ratkaisu
Nukkainen pinta.	<ol style="list-style-type: none"> Märkä puu. Tylsät terät. 	<ol style="list-style-type: none"> Kuivaa puu. Teroita terät.
Repeytynyt pinta.	<ol style="list-style-type: none"> Lastuamissyvyys liian suuri. Terät leikkaavat syitä vastaan. Tylsät terät. 	<ol style="list-style-type: none"> Säädä oikea lastuamissyvyys. Syötä työkappale syiden suuntaisesti, tai käännä työkappale toisin päin. Teroita terät.
Pinta on karkea / koholla.	<ol style="list-style-type: none"> Tylsät terät. Liian suuri lastuamissyvyys. Märkä puu. Jyrsinpään laakerit vahingoittuneet. 	<ol style="list-style-type: none"> Teroita terät. Säädä oikea lastuamissyvyys. Kuivaa puu. Vaihda laakerit.
Lastuamissyvyys reunoilla erilainen.	<ol style="list-style-type: none"> Terien suuntaus ei ole yhtenäinen. Jyrsinpäätä ei ole kohdistettu syöttöpöydän suhteen. 	<ol style="list-style-type: none"> Säädä terän suuntaus. Kohdista jyrsinpää syöttöpöydän suhteen.
Työkappaleen paksuus ei vastaa lastuamissyvyysasteikon asetusta.	<ol style="list-style-type: none"> Väärä lastuamissyvyys. 	<ol style="list-style-type: none"> Säädä lastuamissyvyysasteikko.
Ketju hypää.	<ol style="list-style-type: none"> Ketjuhammaspyörät vinossa. Ketjuhammaspyörät kuluneet. 	<ol style="list-style-type: none"> Suorista ketjuhammaspyörät. Vaihda ketjuhammaspyörä.
Kone ei käynnisty / uudelleenkäynnisty.	<ol style="list-style-type: none"> Konetta ei ole kytketty virtalähteeseen. Moottorivika. Johto löysällä. Ylikuormituksen nollaaminen epäonnistunut. Vika moottorin käynnistimessä. 	<ol style="list-style-type: none"> Tarkista virtalähde. Tarkista moottori. Tarkistuta moottori valtuutetulla huoltomiehellä. Anna koneen jäähtyä ja käynnistä se uudelleen. Tarkistuta moottorin käynnistin valtuutetulla huoltomiehellä.
Virtapiirin toistuva katkeaminen aiheuttaa moottorin pysähtymisen.	<ol style="list-style-type: none"> Jatkojohto liian pitkä tai liian ohut. Tylsät terät. Jännitteen alhainen virtaus. 	<ol style="list-style-type: none"> Käytä lyhyempää tai paksumpaa jatkojohtoa. Teroita tai vaihda terät. Tarkista jännite.
Puunsyöttö heikkoa.	<ol style="list-style-type: none"> Syöttöpöytä likainen. Syöttörulla viallinen. Ketjuhammaspyörä viallinen. Toimintahäiriö vaihdelaatikossa. 	<ol style="list-style-type: none"> Poista piki ja jäämät, ja voitele syöttöpöytä. Vaihda syöttörulla. Vaihda ketjuhammaspyörä. Tarkista vaihdelaatikko.
Työkappale jumiutunut.	<ol style="list-style-type: none"> Terän korkeussäätö riittämätön. 	<ol style="list-style-type: none"> Säädä terä oikeaan korkeuteen.





Norsk

BESKRIVELSE

1. Toppdeksel
2. Høydejusteringsveiv for skjærehode
3. Skjæredybdemåler
4. Strømbryter
5. Overbelastningsbryter
6. Forlengerbord
7. Låseskruer til sokkel
8. Føtter
9. Låseskrue til hevebryter
10. Skyvepinne
11. Bladjusteringsmåler
12. Sekskantnøkkel
13. Fastnøkkel
14. Plastpeker
15. Støvkanal
16. Sekskantnøkkelsskruer
17. Tvingeskruer
18. Bladjusteringsmåler
19. Låsestang
20. Låseskruer
21. Blads
22. Fjær
23. Sekskantnøkkelsskruer
24. Høydejusteringsmutter

Sikkerhet, ytelse og pålitelighet hadde topp prioritet under utformingen av denne planhøvelen.

TILTENKT BRUK

Planhøvelen er beregnet for planhøvling av treverk.

Ikke bruk produktet på noen annen måte enn det som er angitt for tiltenkt bruk.

GENERELLE SIKKERHETSADVARSLER

ADVARSEL

Når du bruker elektrisk verktøy må visse grunnleggende forholdsregler alltid tas for å redusere risikoen for brann, elektrisk støt og personskafe. Les alle instruksjonene før du gjør forsøk på å bruke produktet, og ta godt vare på disse instruksjonene.

- **Hold arbeidsområdet rent.** Rotete områder og arbeidsbenker inviterer til ulykker.
- **Vurder det fysiske arbeidsmiljøet.** Ikke utsett verktøyet for regn. Ikke bruk utstyret på fuktige eller våte steder. Hold arbeidsområdet godt opplyst. Ikke bruk elektrisk verktøy på steder hvor det finnes brennbare væsker eller gass.

- **Beskytt deg mot elektriske støt.** Unngå kroppskontakt med jordede overflater (som vannrør, radiatorer, kokeapparater og kjøleaggregater).
- **Hold andre personer vekke.** Ikke la personer, og spesielt barn, ta del i arbeidet, berøre verktøyet eller en skjøteledning, og hold dem vekke fra arbeidsområdet.
- **Lagre verktøy som ikke brukes.** Når det ikke er i bruk må verktøyet oppbevares tørt og innelåst slik at det er utilgjengelig for barn.
- **Ikke press verktøyet.** Det vil gjøre jobben bedre og tryggere med den hastigheten det var konstruert for.
- **Bruk det rette verktøyet.** Ikke tving et lite verktøy til å utføre en oppgave som var tiltenkt et større og kraftigere verktøy. Ikke bruk verktøy for oppgaver det ikke var tiltenkt, bruk for eksempel ikke en sirkelsag til å kappe grener eller trestammer.
- **Kle deg riktig.** Bruk ikke løstsittende klær eller smykker, de kan hekte seg fast i bevegelig deler på verktøyet. Sklisikkert fotføy anbefales ved arbeid utendørs. Bruk lue eller hatt til å dekke langt hår.
- **Bruk verneutstyr.** Bruk vernebriller. Bruk ansikts- eller støvmaske dersom arbeidet skaper støv.
- **Tilkobl støvavsugsutstyr.** Hvis det finnes tilkoblingsmuligheter for oppsugnings- og oppsamlingsutstyr for støv, sørg for at dette blir tilkoblet og brukt på riktig måte.
- **Ikke misbruk den elektriske ledningen.** Trekk aldri i den elektriske ledningen for å frigjøre støpslet fra stikkkontakten. Hold ledningen vekke fra varme, olje og skarpe kanter.
- **Trygt arbeid.** Der det er mulig, bruk klemmer eller tvinger til å holde fast arbeidsstykket. Det er tryggere enn å bruke hånden din.
- **Ikke len deg for langt frem.** Sørg for godt fotfeste og god balanse til enhver tid.
- **Vedlikehold verktøyet med omtanke.** Hold verktøyet skarpt og rent for å oppnå bedre og tryggere ytelser. Følg instruksjonene for smøring og skifte av tilbehør. Inspiser verktøyet strømløsning regelmessig og sørg for at den skiftes ved et autorisert servicesenter dersom den er skadet. Inspiser regelmessig eventuell skjøteledning og skift dersom den har skader. Hold håndtak tørre, rene og fri for olje og fett.
- **Frakoble verktøy.** Når verktøyet ikke er i bruk, før servicearbeider og i forbindelse med skifting av tilbehør som blader, bits og skjæreutstyr må verktøyet frakobles den elektriske kontakten.
- **Fjern justeringsnøkler og fastnøkler.** Gjør det til en vane å kontrollere at justeringsnøkler er fjernet fra verktøyet før det startes.
- **Unngå utilsiktet støt.** Påse at bryteren er i posisjon "off" når verktøyet støpsel settes inn i en stikkontakt.



Norsk

- **Bruk kun utendørs skjøteledning.** Når verktøyet brukes, bruk bare skjøteledning som er ment for utendørs bruk og merket tilsvarende.
- **Vær våken.** Se hva du gjør, bruk fornuft og bruk ikke verktøyet når du er trett eller sliten.
- **Se etter deler som er skadet.** Før ytterligere bruk av verktøyet må det undersøkes nøye for å kunne fastslå at det vil virke tilfredsstillende og utføre sin tiltenkte funksjon. Sjekk tilpasningen av bevegelige deler, kontakt mellom bevegelige deler og om alle deler er korrekt montert og enhver annen tilstand som kan påvirke bruken av verktøyet. Et deksel eller en annen del som er skadet må repareres forskriftmessig eller skiftes av et autorisert serviceverksted dersom ikke annet er angitt i denne Brukermanualen. Sørg for at ødelagte brytere skiftes av et autorisert servicesenter. Ikke bruk produktet hvis bryteren ikke slår det på og av.
- **Advarsel.** Bruk av andre tilkoblinger eller annet tilbehør enn det som anbefales i denne brukermanualen kan føre til personskade.
- **Sørg for at verktøyet repareres av en kvalifisert person.** Dette elektriske verktøyet innfrir relevante sikkerhetsforskrifter. Reparasjoner må bare utføres av kvalifiserte personer som bruker originale reservedeler, i motsatt fall kan brukeren bli utsatt for betydelig fare.
- Kontroller rullebordene og sørg for at de er i plan med arbeidsbordet når du planhøveler treverk, og at valsene kan rotere fritt når du planhøveler lange arbeidsstykker.
- Produktet skal kun brukes til å planhøvel tørt treverk.
- Bruk helt, god treverk uten løse kvister og med så få faste kvister som mulig.
- Stå aldri direkte på linje med innmatings- eller utmatingsbanen. Stå alltid på siden av maskinen.
- Kontroller at arbeidsstykket er fritt for spiker, skruer, stein og andre fremmedlegemer som kan skade bladene.
- Kontroller at bladene er festet på riktig måte, som beskrevet i instruksjonene.
- Vær forsiktig når du håndterer bladene og skjærehodet. Bladene er skarpe og kan lett skade hånden din.
- La skjærehodet oppnå full hastighet før du bruker det.
- Bruk skyvepinnen, ikke hendene, for å skyve arbeidsstykket når enden nærmer seg bladene. Skyvepinnen skal oppbevares på arbeidsbordet når den ikke er i bruk.
- Bruk skarpe, godt vedlikeholdte blader.
- Bruk kun skjæreblander som er beregnet for dette produktet.
- Se til at planingsenheten er sikkert montert før bruk. Vær ekstra oppmerksom på stabilitet ved planing av lange arbeidsstykker.
- Hold hender på avstand fra bladet når det er i bevegelse.
- Ikke gjør kutt dypere enn 3 mm (1/8").
- Bruk øyebeskyttelse som oppfyller lokale sikkerhetsstandarder.
- Fjern ikke stykker som sitter fast før bladet har stoppet og strømmen er AV.

SIKKERHETSADVARSLER FOR PLANHØVEL

- Bruk alltid vernebriller og hørselvern når du bruker verktøyet.
- Bruk hansker når du håndterer skjæreblokken og grove materialer, for å forhindre skader fra skarpe kanter.
- Bruk ansiktsskjerm eller støvmaske dersom sagingen er støvdannende.
- Kontroller at alle festeskruene sitter godt før du starter maskinen.
- Stopp alltid motoren og koble fra strømkilden før du gjør justeringer.
- Kontroller at alle sikkerhetsdeksler sitter på plass før bruk.
- Les brukerhåndboken nøye og gjør deg kjent med maskinen før bruk.
- Tving ikke arbeidsstykker gjennom maskinen. La produktet styre den passende innmatingshastigheten.
- Kontroller innmatingsvalsene regelmessig for å sikre at det ikke har festet seg sagmugg og trefliser mellom komponentene. Hvis valsene ikke sitter tett inntil, kan ikke innmatingsvalsene hode tømmeret fast mot underlaget, noe som kan føre til rekyll.

⚠ ADVARSEL

Gjør aldri følgende ting:

- Ufullstendige skjæreoperasjoner (alle kutt som ikke går langs hele arbeidsstykkets lengde)
- Planhøveling av fordypninger, skjøter eller former
- Planhøveling av buede/forvridde trestykker som ikke har tilstrekkelig kontakt med innmatingsbordet

ANTIREKYL-SPERRE

Se fig. 2.

- En antirekyl-sperre er en enhet som er designet for å forhindre at arbeidsstykket blir slått tilbake mot forsiden av bladet under bruk, når den er riktig installert.



Norsk

UNNGÅ REKYL

- Bruk alltid riktig dybdeinnstilling for bladet.
Kontroller arbeidsstykket for kvister og spiker før du starter en skjæreoperasjon. Bank ut løse kvister med en hammer. Skjær aldri i en løs kvist eller spiker.
- Bruk alltid rene, skarpe og riktig monterte blader.
- Bruk aldri produktet med sløve blader.
- Kontroller at arbeidsstykket er godt understøttet før du begynner skjæringen, for å unngå at bladet kommer i klem.
- Bruk jevn, stødig kraft når du planhøvler. Tving aldri produktet fremover.
- Planhøvel aldri vått eller forvridd treverk.
- Hold alltid arbeidsstykket fast med begge hendene og med god balanse i kroppen, slik at du er forberedt på rekyl i arbeidsstykket. Stå aldri direkte på linje med treverket.

GJENVÆRENDE RISIKO

Også når produktet brukes som beskrevet, er det ikke mulig å utelukke risiko for brukere eller personer i nærheten Brukeren må spesielt være oppmerksom på følgende punkter for å minske faren for alvorlige personskader.

- Hørselskader – Bruk adekvat hørselvern og begrens eksponeringen.
- Skader på synet – Bruk vernebriller eller heldekkende briller når du bruker produktet.
- Åndedrettskade fra støv som dannes fra driften av produktet – Bruk passende beskyttelse avhengig av støvtypen.

ELEKTRISK FORB INDELSE

Dette produktet drives av en presisjonsbygget elektrisk motor. Den skal kobles til et strømuttak som har 220~240V (normal husholdningsstrøm), 50 Hz. Ikke bruk verktøyet med likestrøm (DC). Et betydelig spenningsstap vil føre til tap av effekt og at motoren overopphetes. Hvis produktet ikke virker når det kobles til strømmettet, dobbeltsjekk det elektriske anlegget.

HASTIGHET OG KABLING

Hastigheten uten belastning på saken er ca. 9000 o/ min. Denne hastigheten er ikke konstant og vil synke ved belastning eller ved lavere spenning. Med hensyn til spenning er kablingen like viktig som motorens nominelle effekt. En strømkrets som kun er ment for lamper kan ikke bære et elektrisk verktøy på en tilfredsstillende måte. Ledning som har styrke nok for en kort avstand vil kunne

være for svak for en lengre avstand. En krets som kan levere strøm til ett elektrisk verktøy vil ikke nødvendigvis kunne levere strøm til to eller tre verktøyer.

Hvis strømledningen skades må den kun erstattes av produsenten eller et autorisert servicesenter for å unngå risiko.

Sett ledningen kun i en kontakt med samme konfi gurasjon som støpslet. Ikke bruk en strømadapter med dette produktet.

For større sikkerhet og pålitelighet skal alle reparasjoner foretas av et godkjent RYOBI serviceverksted.

Produktet må kun kobles til elektriske kretser/stikkontakter med jordfeilbryter. Kontakter er tilgjengelige med innebygget jordfeilbryter og kan brukes for denne graden av sikkerhet.

Hvis produktet leveres med en skjøteledning, skal kontaktpunktet mellom verktøyets ledning og skjøteledningen ikke ligge på bakken. Elektrisk verktøy skal alltid kobles rett i en veggkontakt og ikke via en skjøteledning.

Hvis det ikke finnes noen tilgjengelig stikkontakt med jordfeilbryter, kan du ikke bruke produktet før stikkontakten/strømtilførselen kan bli oppgradert eller annen beskyttelse installert. Disse ekstra beskyttelsesinnretningene er tilgjengelig fra din lokale forhandler.

DELELISTE

Artikkel	Beskrivelse	Ant.
2	Høydejusteringsssveiv for skjærehode	1
7	Låseskruer til sokkel	4
8	Føtter	4
9	Låseskrue til hevebryter	1
10	Skyvepinne	1
11	Blåjusteringsmåler	1
12	Sekskantnøkkel	2
13	Fastnøkkel	1

MONTERING

FLYTTE PLANHØVELEN

Se fig. 3.

- Produktet kan løftes med håndtakene på begge sider av rammen. Kontroller at forlengerbordene er lukket før du flytter produktet.



Norsk

INSTALLERE FØTTENE

- Fest føttene til hjørnene på undersiden av produktet.

MONTERE PLANHØVELEN PÅ EN TRESOKKEL

Se figur 5–6.

- Når planhøvelen ikke er montert på et høvelstativ, anbefales det å montere den på to trestykker. Dette vil gi maksimal stabilitet.
- Velg to trestykker i henhold til størrelsene som vises i illustrasjonen. Monter produktet på treflatten.
- Bruk de fire låseskruene til sokkelen for å feste sokkelen til planhøvelen til treverket.

MATERIALHYLLE

Se fig. 7.

- Materialhyllen på oversiden av planhøvelen er et hendig sted å lagre materialer for gjentatte skjæreoperasjoner. Operatøren har enkel tilgang til materialer som plasseres oppå maskinen.

BRUK

AV/PÅ-BRYTER

Se fig. 8.

- Trykk på I-knappen for å skru på produktet. Trykk på O-knappen for å skru av produktet.

▲ ADVARSEL

Kontroller alltid at bryteren er satt til OFF (AV) før du kobler planhøvelen til en strømkilde.

OVERSPENNINGSVERN

Se fig. 8.

- Maskinen er utstyrt med overspenningsvern for å beskytte mot overspenning. Hvis det oppstår overspenning, utløses bryteren. Når dette skjer, venter du flere minutter og trykker så på bryteren for å tilbakestille maskinen.

JUSTERING AV SAGDYBDEN

Se fig. 9.

▲ ADVARSEL

Planhøvel aldri mer enn 3 mm tykkelse på én passering og planhøvel aldri et arbeidsstykke som er kortere enn 127 mm (5") langt. Bruk alltid et beskyttende ansiktsskjold.

- For å justere dybden på høvelskjæret, dreier du på høydejusterings sveiven for skjærehodet i retningene som vises på oversiden av planhøvelen. Justeringen av skjæredybde vises på skjæredybdemåleren. Skjæredybden justeres 1,6 mm for hver omdreining av sveiven.
- Start alltid arbeidet ved å utføre et tynt/lett kutt. For videre kutt kan du jobbe med skjæredybde opptil 3 mm, men husk at tynde høvelskjær gir finere resultat.
- Tykkelsen på treverket som kjøres gjennom planhøvelen bestemmes av avstanden mellom høvelbladet og bordet.
 - Høvel ikke trestykker som er mindre enn 7 mm tykke.
 - Høvel ikke trestykker som er mer enn 153 mm (6") tykke.

JUSTER SKJÆREDYBDEMÅLEREN.

Se fig. 9.

Det er svært viktig at skjæredybdemåleren gir nøyaktige avlesninger for at planhøvelen skal være trygg å bruke. Følg instruksjonene under for å justere skjæredybdemåleren:

- Mat et trestykke gjennom planhøvelen. Mål tykkelsen på trestykket med linjal, målebånd e.l. og sammenligne resultatet med målingen fra skjæredybdemåleren.
- Hvis skjæredybdemåleren gir feil resultat, løsner du skruen som holder fast plastpekeren og justerer den etter behov.
- Når du har justert skjæredybdemåleren til riktig høyde, tester du resultatet ved å planhøvel et stykke overflødig treverk. Ta så det nyhøvelde trestykket, mål tykkelsen med linjal, målebånd e.l. og sammenligne resultatet med resultatet fra skjæredybdemåleren. De to målene skal være identiske. Ved behov justerer du skjæredybdemåleren en gang til, så den viser riktig resultat.

FJERNE HØVELBLADENE

Se figur 10-12.

Følg instruksjonene under for å fjerne bladene:



Norsk

▲ ADVARSEL

Trekk ut stikkkontakten før du fjerner bladene.

- Fjern støvkanalen ved å løsne de fire sekskantskruene som fester den.
- Løsne låsestangen og bladet ved å dreie tvingeskruene med klokken. Bladene er fjærbelastede og skyves ut når systemet løsnes.
- Ta ut bladet og ta så ut låsestangen til bladet.

INSTALLERE/ERSTATTE HØVELBLADENE

Se fig. 12.

Følg instruksjonene under for å installere bladene:

- Fjern bladene i henhold til instruksjonene i avsnittet "FJERNE HØVELBLADENE".
- Fjern alt støv og skitt fra skjærehodet til planhøvelen.
- Sett inn bladets låsestang i sporet på skjærehodet.
- Sett inn bladet i sporet på skjærehodet, og fest låsestangen ved å dreie tvingeskruene mot klokken. Kontroller at bladet er vendt riktig vei og sitter midt i sporet.
- Still bladets høyde i henhold til instruksjonene i avsnittet "STILLE BLADETS HØYDE". Bladets høyde må alltid stilles på nytt når bladene har blitt tatt ut, uansett grunn.
- Husk å sette på plass støvkanalen når bladene er installert.

STILLE BLADETS HØYDE

Se figur 13-14.

- For å sikre at bladet stikker 1,1 mm ut fra skjærehodet holder du bladjusteringsmåleren mot skjærehodet med begge justeringsflatene tett inn mot bladet.
- Løsne systemet ved å dreie de syv tvingeskruene med klokken med en skiftenøkkel eller fastnøkkel.
- Når bladet er presset til riktig høyde, angitt av høydeskalaen på måleren, låser du systemet ved å dreie de syv tvingeskruene mot klokken. Sørg for at alle de syv tvingeskruene er strammet godt til.

▲ ADVARSEL

Eggen på bladet kan lett gå i stykker. Vær forsiktig når du håndterer måleren nær bladene, så du unngår å skade dem.

▲ ADVARSEL

Systemet må strammes godt til for å unngå uhell under bruk.

KOBLE TIL ET STØVSAMLERSYSTEM

Se fig. 19.

Støv som oppstår under arbeidet kan være helsefarlig. Bruk et støvsamlersystem og fjern det oppsamlede støvet grundig, f.eks. med en støvsuger.

Slik kobler du til et støvsamlersystem:

- Trekk ut verktøyets støpsel.
- Forbind dysen på støvoppsamlingsssystemet til støvåpningen.

Rengjør slangen til støvsamlersystemet jevnlig for å unngå at det høper seg opp støv.

JUSTERING

KONTROLLERE AT SKJÆREHODET LIGGER PARALLELT MED ARBEIDSBORDET

Se figur 15-18.

Høvle et arbeidsstykke og mål tykkelsen når høvlingen er ferdig. Hvis tykkelsen er forskjellig på hver side av arbeidsstykket, gjør du følgende:

Juster skjæreskaftet så det ligger parallelt med arbeidsbordet. Verktøyene som brukes til dette vises i figur 15. Bruk en hard tresort til å lage en måleblokk i henhold til størrelsen som vises i illustrasjonen. Utfør justeringene i henhold til følgende instruksjoner.

- Fjern høydejusteringsssveiven og topp- og sidedekslene ved å løsne sekskantskruene for å avdekke høydejusteringsmutterne.
- Løsne justeringsmutterne.
- Juster justeringsmutterne opp eller ned etter behov, for å tilpasse dem måleblokken.
- Stram låsemutterne igjen når du når riktig høydeinnstilling.
- Sett på plass topp- og sidedekslene og høydejusteringsssveiven.

NB: Fjern måleblokken før du starter maskinen.

Høvling er å redusere materialtykkelsen til ønsket tykkelse og skape en jevn overflate som er parallell med den andre siden av treplanken.

Hemmeligheten bak dette er rett og slett å bruke sunn fornuft for å bestemme tykkelsen på kuttet i forskjellige situasjoner. Du må tenke på:

1. Trestykkets bredde





Norsk

2. Trestykkets hardhet
3. Hvor fuktig trestykket er
4. Hvor rett trestykket er
5. Retningen til trefibrene
6. Strukturen til trefibrene

Det er kun erfaring som kan lære deg hvordan disse faktorene påvirker arbeidets kvalitet. Når du jobber med en ny tresort eller et trestykke som har uvanlige problemer, skal du alltid prøveskjære på overflødig materiale før du høvler trestykket du trenger.

FOR VIDERE HØVLING

Hvis det kreves mer høvling for å oppnå den ønskede tykkheten, justerer du skjærehodet med sveiven (maksimalt 3 mm skjæredybde) og høvler arbeidsstykket en gang til.

ADVARSEL

Planhøvle aldri mer enn 3 mm tykkelse på én passering og planhøvle aldri et arbeidsstykke som er kortere enn 127 mm (5") langt. Bruk alltid et beskyttende ansiktsskjold.

VEDLIKEHOLD

ADVARSEL

Sørg for at den elektriske kontakten alltid er fjernet fra det elektriske støpslet før det utføres justeringer, smøring eller vedlikehold på produktet.

SLIPE BLADET

Hvis det blir nødvendig å slippe bladet, må du kun slippe det skråstilte området.

SMØRING

- Anbefalt smøremetode for kjedet ved middels til lavt bruksnivå er bare å tørke av kjedet. Hvis det bygger seg opp mye støv, trespon eller lignende, kan du påføre et tynt lag olje på kjedet, men oljen skal aldri helles direkte på kjedet. For mye olje fører til raskere oppsamling av støv og trespon og gjør at smusset trenger inn i leddene i kjeden, noe som øker slitasjen og fører til at kjedet må byttes ut raskere. Dette gjelder både kjedene for hastighetsreduksjon og høydejustering samt heveskruene.

- Kulelagrene på skjærehodet ble smurt og forseglet på fabrikk. De krever ikke videre vedlikehold.

PERIODISK VEDLIKEHOLD

- Oppbygging av sagmugg og annet smuss kan gjøre at maskinen høvler upresist. Det anbefales på det sterkeste å utføre regelmessig rengjøring for å sikre presis høvling.
- Tettsittende deler, som låsestengene og skjærehodesporene til planhøvelen, skal rengjøres med børste, og fastsittende fremmedlegemer/materiale skal fjernes. Etter rengjøringen fuktes delene med olje før de settes på plass.
- Fjern kvae og annet smuss fra innmatingsvalsene og bordet med et ikke-brennbart løsemiddel.

VEDLIKEHOLD OG OPPBEVARING

Koble fra strømledningen og demonter produktet før transport. Løft produktet med håndtakene på begge sider av rammen. Oppbevar maskinen på et trygt sted der barn ikke har tilgang.

Rengjør produktet med en børste eller støvsuger før det settes bort for lagring.

MILJØVERN



Resirkuler råmaterialer istedenfor å kaste dem i søppelen. Verktøyet, tilbehørene og emballasjen bør sorteres for miljøvennlig resirkulering.

SYMBOL



Sikkerhetsadvarsel



CE samsvarserklæring



Les instruksjonene nøye før apparatet tas i bruk.



Class II, dobbeltisolert



Bruk hørselsvern



Norsk



Bruk alltid øyebeskyttelse.



Retning på bladrotasjon



Maksimum høvledybde per omgang



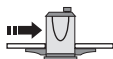
Minimum høvlelengde



Maksimum høvlebredde



Høvlehøyde



Matehastighet



Bladlengde



Senk bladet



Løft bladet



Avfall fra elektriske produkter skal ikke kastes sammen med husholdningsavfall. Vennligst resikulervedeksisterende avfallsbehandlingssted. Undersøk hos dine lokale myndigheter eller forhandler for råd om resikulering.



Norsk

FEILSØKING

Problem	Mulig årsak	Løsning
Trefibrene er ujevne.	<ol style="list-style-type: none"> 1. Høvling av treverk med høyt fuktighetsinnhold. 2. Bladene er sløve. 	<ol style="list-style-type: none"> 1. Tørk treverket. 2. Slip bladene.
Trefibrene er opprevet.	<ol style="list-style-type: none"> 1. Skjæringen går for tregt/tungt. 2. Bladene skjærer mot fibrenes retning 3. Bladene er sløve. 	<ol style="list-style-type: none"> 1. Kontroller skjæredybden. 2. Mat inn arbeidsstykket i fibrenes retning, eller snu det rundt. 3. Slip bladene.
Fibrene er grove/uthevet.	<ol style="list-style-type: none"> 1. Bladene er sløve. 2. Skjæringen går for tregt/tungt. 3. Fuktighetsinnholdet er for høyt. 4. Skjærehodets kulelagre er skadde. 	<ol style="list-style-type: none"> 1. Slip bladene. 2. Kontroller skjæredybden. 3. Tørk treverket. 4. Bytt kulelagre.
Skjæredybden er forskjellig fra side til side.	<ol style="list-style-type: none"> 1. Bladet stikker frem fra skjærehodet med ujevn lengde. 2. Skjærehodet er ikke parallelt med planhøvelbordet. 	<ol style="list-style-type: none"> 1. Juster bladene i skjærehodet. 2. Sørg for at skjærehodet er parallelt med bordet.
Arbeidsstykkets tykkelse tilsvarer ikke målet på skjæredybdemåleren.	<ol style="list-style-type: none"> 1. Skjæredybdemåleren viser feil. 	<ol style="list-style-type: none"> 1. Juster skjæredybdemåleren.
Kjedet hopper.	<ol style="list-style-type: none"> 1. Tannhjulene er feiljustert. 2. Tannhjulene er slitte. 	<ol style="list-style-type: none"> 1. Juster tannhjulene. 2. Skift ut tannhjulet.
Verktøyet starter ikke / starter ikke igjen.	<ol style="list-style-type: none"> 1. Stikkkontakten er ikke satt inn. 2. Motorsvikt. 3. Løs ledning. 4. Tilbakestilling av overspenning mislyktes. 5. Motorstartfeil. 	<ol style="list-style-type: none"> 1. Kontroller strømkilden. 2. Kontroller motoren. 3. Få en autorisert reparatør til å utføre service på motoren. 4. Gi maskinen tid til å kjøle seg ned, og start den på nytt. 5. Få en autorisert reparatør til å kontrollere motorstarteren.
Gjentatt utløsning av sikringen fører til motorstans.	<ol style="list-style-type: none"> 1. Skjøteledningen er for lang eller for tynn. 2. Bladene er for sløve. 3. Lav spenning. 	<ol style="list-style-type: none"> 1. Bruk en kortere eller tykkere skjøteledning. 2. Slip eller skift ut bladene. 3. Sjekk spenningen.
Dårlig innmatning av treverk.	<ol style="list-style-type: none"> 1. Planhøvelbordet er skittent. 2. Innmatingsvalsen er skadet. 3. Tannhjulet er skadet. 4. Svikt i girkassen. 	<ol style="list-style-type: none"> 1. Fjern kvæe og rester og smør planhøvelbordet. 2. Skift ut innmatingsvalsen. 3. Skift ut tannhjulet. 4. Kontroller girkassen.
Arbeidsstykket låser seg.	<ol style="list-style-type: none"> 1. Utilstrekkelig høyde på bladet. 	<ol style="list-style-type: none"> 1. Still bladet til riktig høyde.





Русский

ОПИСАНИЕ

1. Верхняя защита
2. Изогнутая рукоятка регулировки высоты режущей головки
3. Шкала глубины прорези
4. Выключатель питания
5. Реле защиты от перегрузки
6. Удлинитель столика
7. Винты крепления основания
8. Ножки
9. Винт фиксации маховика
10. Направляющая линейка
11. Планка настройки ножа
12. Шестигранный гаечный ключ
13. Рожковый ключ
14. Пластиковый указатель
15. Лоток для сбора пыли
16. Винты с цилиндрической головкой и шестигранным углублением
17. Нажимной винт
18. Планка настройки ножа
19. Стопорная пластина
20. Стопорные винты
21. Лезвие
22. Пружина
23. Винты с внутренним шестигранныком
24. Гайка регулировки высоты

В основе конструкции вашего рейсмусового станка лежат принципы безопасности, продуктивности и надежности.

НАЗНАЧЕНИЕ

Рейсмусовый станок предназначен для строгания древесины.

Не используйте данный инструмент для каких-либо других целей, кроме как по назначению.

ОБЩИЕ ПРАВИЛА БЕЗОПАСНОСТИ

▲ ОСТОРОЖНО

При использовании электрических инструментов следует соблюдать основные правила технической безопасности для снижения опасности возгорания, поражения электрическим током и получения травм. Перед использованием инструмента прочитайте все инструкции и сохраните их для использования в будущем.

- **Содержите рабочую зону в чистоте.** Загромождение рабочей зоны может привести к

телесным повреждениям.

- **Принимайте во внимание условия работы.** Не пользуйтесь инструментом под дождем. Не пользуйтесь инструментом в условиях повышенной влажности. Работайте при хорошем освещении. Не пользуйтесь инструментом в присутствии огнеопасных жидкостей или газов.
- **Защита от поражения электрическим током.** Избегайте контакта с заземленными поверхностями (трубами, батареями отопления, кухонными плитами, холодильниками).
- **Не допускайте в рабочую зону посторонних лиц.** Не допускайте к работе посторонних лиц, особенно детей, не позволяйте им касаться инструмента или кабеля питания, не допускайте их в рабочую зону.
- **Неиспользуемые инструменты уберите на хранение.** Неиспользуемый инструмент следует хранить в сухом защищенном месте, недоступном для детей.
- **Не увеличивайте скорость работы инструмента.** Это позволит выполнить работу лучше и безопаснее с номинальной скоростью.
- **Используйте надлежащий инструмент.** Не пользуйтесь небольшим инструментом для выполнения трудоемких операций. Не используйте инструмент для непредназначенных для него целей, например, не используйте циркулярную пилу для обрезки ветвей деревьев или бревен.
- **Одевайтесь соответствующим образом.** Не надевайте свободную одежду или украшения, так как они могут попасть в движущиеся части. При наружных работах рекомендуется надевать нескользящую обувь. Воспользуйтесь защитным головным покрытием, чтобы прикрыть длинные волосы.
- **Используйте средства защиты.** Пользуйтесь защитными очками. Если при работе образуется пыль, надевайте пылезащитную маску.
- **Используйте устройство удаления пыли.** Если инструмент предусматривает использование устройства сбора и удаления пыли, обязательно его используйте.
- **Не допускайте неправильного обращения с кабелем.** Не дергайте кабель питания для отключения его от сети. Предохраняйте кабель питания от источников повышенного тепловыделения, масляных участков и острых предметов.
- **Закрепите обрабатываемую заготовку.** При возможности всегда используйте зажимы или тиски для крепления заготовки. Это безопаснее, чем пользоваться руками.



- **Не прикладывайте чрезмерных усилий.** Старайтесь сохранять устойчивость и подыскивайте твердую опору.
- **Заботливо обращайтесь с инструментами.** Для лучшего и безопасного применения поддерживайте режущий элемент в чистоте и наточенном состоянии. При смазке и замене принадлежностей следуйте инструкциям. Регулярно проверяйте исправность кабелей, при их повреждении обращайтесь для ремонта в специализированный сервисный центр. Регулярно осматривайте удлинительные кабели и заменяйте поврежденные из них. Содержите ручки в сухом и чистом виде, очищайте их от масла и смазки.
- **Отключите инструменты.** Перед операциями технического обслуживания, замене принадлежностей (режущие полотна, насадки, резак) отключите инструмент от сети питания.
- **Удалите ключи для выполнения настройки и регулировки.** Возьмите себе за правило проверить перед включением инструмента отсутствие на нем гаечных и регулировочных ключей.
- **Не допускайте непреднамеренного запуска.** При подключении к сети питания убедитесь, что выключатель находится в положении «выключено».
- **При наружных работах используйте электроудлинитель.** При наружных работах используйте электрический удлинитель, предназначенный для наружного использования.
- **Будьте внимательны.** Сохраняйте внимание при работе, пользуйтесь здравым смыслом и не работайте при испытании усталости.
- **Проверяйте поврежденные детали.** Перед дальнейшим использованием инструмента тщательно проверьте его надлежащую работу и выполнение предназначенных ему функций. Проверьте регулировку движущихся частей, их соединение, отсутствие повреждений, надежность крепления и другие условия, которые могут повлиять на работу инструмента. Поврежденное защитное устройство или другую деталь следует отремонтировать или заменить в сервисном центре, если иное не указано в данном руководстве по эксплуатации. Неисправные выключатели заменяйте в специализированном центре обслуживания. Не пользуйтесь инструментом с неисправным выключателем питания.
- **Осторожно.** Использование любых других принадлежностей, кроме рекомендованных в данных инструкциях, может привести к телесным повреждениям.
- **Для ремонта инструмента обращайтесь к**

квалифицированному специалисту. Данный электроинструмент соответствует основным требованиям техники безопасности. Во избежание угроз здоровью ремонт инструмента следует поручать только квалифицированным специалистам с использованием оригинальных запасных деталей.

ТРЕБОВАНИЯ БЕЗОПАСНОСТИ ПРИ РАБОТЕ С РЕЙСМУСОВЫМ СТАНКОМ

- При работе с электроинструментом всегда носите очки и пользуйтесь защитой органов слуха.
- Работать с режущим блоком и грубым материалом необходимо в перчатках для предотвращения травм, вызванных острыми предметами.
- При пыльных работах также пользуйтесь защитным забралом и респиратором.
- Перед запуском станка убедитесь, что все винты тщательно закручены.
- Перед регулировкой станка выключите двигатель и отключите электропитание.
- Перед началом работы проверьте наличие всех защитных устройств.
- Перед началом работы внимательно прочитайте руководство пользователя и ознакомьтесь со станком.
- Не прилагайте усилие для продвижения детали. Деталь должна проходить с необходимой скоростью.
- Периодически проверяйте подающие ролики, не застряли ли опилки и стружка между деталями станка. Если ролики сидят неплотно, они не смогут удерживать заготовку плотно прижатой к основанию станка и возможен обратный ход заготовки.
- При обработке деталей большой длины столики подающих роликов должны быть расположены на одной плоскости с рабочим столиком, а ролики должны свободно вращаться.
- Используйте станок только для обработки сухих древесных плит.
- Используйте качественную древесину, без рыхлых сучков и с минимальным количеством плотных сучков.
- Не стойте на линии подачи или выхода детали. Стойте сбоку от станка.
- Проверьте, чтобы в детали не было гвоздей, болтов, камней и других предметов, которые могут повредить нож.
- Проверьте правильность установки ножей в соответствии с инструкцией.



Русский

- Настройку ножей и режущей головки выполняйте с осторожностью. Ножи очень острые и могут порезать руки.
- Перед началом работы проверьте работоспособность режущей головки на полной скорости.
- Для продвижения детали при приближении к ножам пользуйтесь направляющей линейкой. Хранить направляющую линейку следует на рабочем столике.
- Ножи должны быть хорошо наточены и исправны.
- Пользуйтесь только ножами, предназначенными для использования с этим станком.
- Перед началом работы проверьте надежность крепления рейсмусового станка. При планировании обработки деталей большой длины уделите особое внимание устойчивости инструмента.
- Не подносите руки к движущемуся полотну.
- Не выполняйте разрезы глубиной более 3 мм (1/8").
- При работе надевайте защитные очки в соответствии с местными стандартами.
- Не пытайтесь извлечь зажатые детали до полной остановки полотна и отключения электропитания.

▲ ОСТОРОЖНО

Никогда не выполняйте указанные ниже операции:

- Работа, требующая остановки (т.е. любые разрезы, не затрагивающие всю длину заготовки)
- Стругание с перерывами, с шиповыми соединениями или с использованием шаблонов
- Стругание сильно искривленной древесины при недостаточном контакте со столиком подачи

ЗАЩИТА ОТ ОБРАТНОГО ХОДА ЗАГОТОВКИ

См. рис. 2.

- Защита от обратного хода заготовки представляет собой устройство, которое при правильной установке и обслуживании предназначено для предотвращения отбрасывания заготовки на переднюю часть ножа во время выполнения работы.

КАК ИЗБЕЖАТЬ ОТБРАСЫВАНИЯ ЗАГОТОВКИ

- Всегда правильно настраивайте глубину ножа. Перед началом работы проверяйте заготовку на наличие сучков и гвоздей. Выбейте рыхлае сучки молотком. Никогда не строгайте поверх рыхлах

сучков и гвоздей.

- Пользуйтесь только чистыми, острыми и правильно отрегулированными ножами.
- Никогда не пользуйтесь тупыми ножами.
- Во избежание застревания ножа перед началом работы всегда тщательно подерживайте деталь.
- При строгании прикладывайте устойчивое, ровное давление. Никогда не подталкивайте заготовку.
- Никогда не обрабатывайте мокрую или деформированную древесину.
- Крепко держите заготовку обеими руками, стойте в устойчивом положении, чтобы вовремя среагировать при обратном ходе заготовки. Никогда не стойте на линии подачи заготовки.

ОСТАТОЧНЫЕ РИСКИ

Даже когда изделие используют согласно инструкциям, невозможно полностью устранить факторы риска. Оператор должен уделять особое внимание данным моментам, чтобы снизить риск получения телесных повреждений.

- Повреждение слуха – Носите надлежащие средства защиты органов слуха и ограничивайте неблагоприятное воздействие.
- Повреждение зрения – Всегда носите защитные очки при работе с устройством.
- Повреждение органов дыхания пылью, образующейся во время эксплуатации изделия – Носите надлежащие средства защиты в зависимости от вида пыли.

ЭЛЕКТРИЧЕСКОЕ ПОДКЛЮЧЕНИЕ

Данное устройство приводится в действие с электродвигателем с высоким качеством сборки. Устройство следует подключать только к электрической сети переменного тока с напряжением 220~240 В, 50 Гц (стандартные параметры электросети для жилых помещений). Не используйте для питания данного устройства постоянный ток. Значительное падение напряжения на двигателе приведет к выделению мощности и перегреву двигателя. Если подключенное к розетке устройство не работает, убедитесь в наличии напряжения в сети.

СКОРОСТЬ И ПРОВОДКА

Скорость холостого хода данного инструмента составляет примерно 9000 об/мин. Эта скорость непостоянная и уменьшается при изменении нагрузки или уменьшении напряжения. Что касается напряжения, проводка в цехе настолько же важна, как и потребляемая мощность двигателя. Линия,



Русский

предназначенная для подсветки, не может обеспечить надлежащее питание двигателя инструмента. Провод, достаточный для короткого участка, может оказаться недостаточным для более протяженного участка. Линия, к которой может быть подключен один инструмент, может быть не рассчитана на подключение двух или трех инструментов.

Если кабель питания поврежден, во избежание опасности его должен заменить либо сам производитель, либо специалист авторизованного сервисного центра.

Подключайте устройство только к розетке, имеющей ту же конфигурацию, что и вилка. Не используйте переходники при работе с данным устройством.

Для большей безопасности и надежности, все ремонтные работы должны быть выполнены RYOBI авторизованный сервисный центр.

В цепи или розетке подачи электропитания для станка должно быть установлено устройство защитного отключения (УЗО). Поставляются розетки со встроенным устройством защитного отключения, которые можно использовать в качестве такой меры безопасности.

Если изделие подключено к удлинителю, соединение шнура питания инструмента и удлинителя не должно находиться на земле. Дополнительные устройства следует подключать к сетевой розетке, а не к удлинителю или кабелю питания инструмента.

Если защищенная розетка недоступна, не пользуйтесь станком до замены розетки или обеспечения другой дополнительной защиты. Эти дополнительные защитные устройства можно приобрести у местного розничного продавца.

СПИСОК ЗАПАСНЫХ ДЕТАЛЕЙ

Пункт	Описание	Кол-во
2	Изогнутая рукоятка регулировки высоты режущей головки	1
7	Винты крепления основания	4
8	Ножки	4
9	Винт фиксации маховика	1
10	Направляющая линейка	1
11	Планка настройки ножа	1
12	Шестигранный гаечный ключ	2

13	Рожковый ключ	1
----	---------------	---

СБОРКА

ТРАНСПОРТИРОВКА СТАНКА

См. рис. 3.

- Станок можно транспортировать с помощью ручек по бокам рамы. Перед транспортировкой станка убедитесь, что удлинители столика убраны.

УСТАНОВКА НОЖЕК

- Установите ножки по углам днища станка.

КРЕПЛЕНИЕ РЕЙСМУСОВОГО СТАНКА НА ДЕРЕВЯННОЕ ОСНОВАНИЕ

См. рисунки 5-6.

- Если станок крепится не на специальную подставку, его следует крепить на две деревянные доски. При этом обеспечивается максимальная устойчивость.
- Выберите две деревянные доски в соответствии с указанными на рисунке размерами. Закрепите станок на деревянной поверхности.
- Для крепления основания станка на деревянную поверхность воспользуйтесь четырьмя винтами для крепления основания (входят в подставку).

ПОДСТАВКА ДЛЯ ЗАГОТОВОК

См. рис. 7.

- Подставку для заготовок на крышке станка можно использовать для хранения заготовок при выполнении последовательных операций с несколькими заготовками. Такие детали, расположенные на крышке станка, легко брать для обработки.

ЭКСПЛУАТАЦИЯ

ТУМБЛЕР ВКЛЮЧЕНИЯ/ВЫКЛЮЧЕНИЯ

См. рис. 8.

- Чтобы включить станок, нажмите на кнопку I. Чтобы его выключить, нажмите на кнопку O.

⚠ ОСТОРОЖНО

Перед подключением станка к источнику питания, проверьте, чтобы выключатель питания находился в положении ВЫКЛ.



Русский

РЕЛЕ ЗАЩИТЫ ОТ ПЕРЕГРУЗКИ

См. рис. 8.

- На станке установлено реле защиты от перегрузки. При перегрузке реле отключит питание. В таком случае необходимо подождать несколько минут и нажать на переключатель, чтобы запустить станок.

РЕГУЛИРОВКА ГЛУБИНЫ РЕЗАНИЯ

См. рис. 9.

▲ ОСТОРОЖНО

Глубина обработки заготовки за один проход должна быть не более 3 мм, а длина заготовки не более 127 мм (5"). Всегда работайте в защитной маске.

- Для регулирования глубины среза поверните изогнутую рукоятку регулировки высоты режущей головки в направлении, указанном на крышке станка. Глубина разреза регулируется в соответствии с указанной шкалой. За один оборот ручки глубина разреза меняется на 1,6 мм.
- Начинайте работу с пробного прохода. Глубину среза при последующих проходах можно увеличить до 3 мм, но при более мелкой глубине обработка более тщательная, чем при глубокой.
- Толщина заготовки устанавливается с помощью регулировки расстояния ножа от рабочего столика.
 - Не обрабатывайте заготовки шириной менее 7 мм.
 - Не обрабатывайте заготовки шириной более 153 мм (6").

ОТРЕГУЛИРУЙТЕ ГЛУБИНУ НА ШКАЛЕ ГЛУБИН.

См. рис. 9.

Для безопасной работы станка следите за тем, чтобы хорошо читались показания на шкале глубин. Чтобы отрегулировать глубину шкалы глубин, выполните следующее:

- Поместите заготовку для обработки на столик станка. Сравните измеренную толщину доски с показателем шкалы глубин.
- Если показатель на шкале глубин не соответствует толщине доски, ослабьте винт, фиксирующий пластиковый указатель и установите его в нужное положение.
- Отрегулировав глубину шкалы, выполните пробную обработку на бракованном материале. Обработав пробную деталь, измерьте ее толщину и снова проверьте показания шкалы глубин. Измерения должны совпадать. При необходимости

снова отрегулируйте шкалу глубин.

СНЯТИЕ НОЖЕЙ

См. рисунки 10-12.

Чтобы снять ножи, выполните следующее:

▲ ОСТОРОЖНО

Перед снятием ножей отключите станок от источника питания.

- Снимите лоток для сбора пыли, открутив четыре винта с цилиндрической головкой и шестигранным углублением.
- Ослабьте стопорную пластину и нож, повернув нажимные винты по часовой стрелке. Ножи находятся под напряжением пружины и выскочат при ослаблении фиксации.
- Снимите нож и затем стопорную пластину ножа.

УСТАНОВКА/ЗАМЕНА НОЖЕЙ РЕЙСМУСОВОГО СТАНКА

См. рис. 12.

Чтобы установить ножи, выполните следующее:

- Снимите ножи в соответствии с инструкцией в разделе "СНЯТИЕ НОЖЕЙ".
- Очистите мусор с режущей головки.
- Установите стопорную пластину ножа в прорезь на режущей головке.
- Поместите нож в прорезь на режущей головке и закрепите стопорную пластину ножа, повернув нажимные винты против часовой стрелки. Проверьте направление ножа и его расположение по центру прорези.
- Установите высоту ножей в соответствии с инструкцией в разделе "УСТАНОВКА ВЫСОТЫ НОЖА". Высоту ножа необходимо настраивать после каждого его извлечения.
- После установки ножей не забудьте установить на место лоток для сбора пыли.

УСТАНОВКА ВЫСОТЫ НОЖА

См. рисунки 13-14.

- Чтобы нож выступал на 1,1 мм, установите планку настройки ножа на режущей головке так, чтобы обе планки находились строго напротив ножа.
- Ослабьте блок планки, повернув семь нажимных винтов по часовой стрелке с помощью рожкового ключа.
- После установки ножа под давлением планки на необходимую высоту, закрепите блок планки,





Русский

повернув нажимные винты против часовой стрелки. Все семь нажимных винтов должны быть надежно закручены.

▲ ОСТОРОЖНО

Край ножа подвержен скалыванию. Чтобы не повредить нож при давлении планкой, настраивайте высоту ножа с осторожностью.

▲ ОСТОРОЖНО

Блок должен быть надежно зафиксирован во избежание травм при обработке.

УСТАНОВКА СИСТЕМЫ СБОРА ПЫЛИ

См. рис. 19.

Пыль, образующаяся при работе с данным инструментом, может быть вредна для здоровья (напр. при работе с дубом или буком, камнями, краской, которая может содержать свинец или другие вредные химикаты) и попасть на тело. Используйте систему сбора пыли и тщательно ее очищайте, например, с помощью пылесоса.

Чтобы установить систему сбора пыли:

- Отключите инструмент от электросети.
- Подсоедините насадку системы сбора пыли к пылевому каналу.

Часто очищайте рукав системы для сбора пыли во избежание чрезмерного накопления пыли.

РЕГУЛИРОВКА

УСТАНОВКА РЕЖУЩЕЙ ГОЛОВКИ И РАБОЧЕГО СТОЛИКА ПАРАЛЛЕЛЬНО ДРУГ ДРУГУ

См. рисунки 15-18.

Обработайте деталь и измерьте толщину среза. Если толщина на обеих сторонах детали различна, выполните следующее:

Отрегулируйте ножевой вал и рабочий столик параллельно друг другу. Инструменты, с помощью которых можно это сделать, показаны на рисунке 15. Из твердой древесины изготовьте инструментальный шаблон в соответствии с размерами, указанными на рисунке. Выполните регулировку в соответствии со следующими процедурами.

- Снимите рукоятку регулировки высоты режущей головки, верхнюю и боковую крышку, открутив установочные винты, чтобы открыть доступ к гайкам регулировки высоты.

- Ослабьте гайки регулировки высоты.
- Покрутите гайки регулировки высоты вверх или вниз, в соответствии с размерами инструментального шаблона.
- При достижении необходимой высоты зафиксируйте гайки в этом положении.
- Установите боковую и верхнюю крышку, а также рукоятку регулировки высоты режущей головки.

ПРИМЕЧАНИЕ: Перед запуском станка уберите шаблон.

При строгании материала осуществляется его обработка для придания определенной толщины и создания гладкой поверхности, параллельной противоположной стороне детали.

Качество строгания зависит от выбора правильной глубины среза в различных ситуациях. Следует принимать во внимание:

1. Ширину заготовки
2. Жесткость заготовки
3. Влажность заготовки
4. Ровность заготовки
5. Направление волокна
6. Структуру волокна

Только опыт поможет понять, каким образом данные факторы влияют на качество работы. Каждый раз, работая с новым типом древесины, или с привычным типом, но с необычными тонкостями, перед тем, как начать обработку детали, выполните пробную обработку на ненужном материале.

ПРИ ДОПОЛНИТЕЛЬНОЙ ОБРАБОТКЕ

При необходимости дополнительной обработки заготовки до определенной толщины, установите режущую головку на глубину не более 3 мм (в любое время) и выполните еще один проход.

▲ ОСТОРОЖНО

Глубина обработки заготовки за один проход должна быть не более 3 мм, а длина заготовки не более 127 мм (5"). Всегда работайте в защитной маске.



Русский

ТЕХНИЧЕСКОЕ ОБСЛУЖИВАНИЕ

▲ ОСТОРОЖНО

Перед выполнением регулировки, смазки или технического обслуживания изделия всегда проверяйте, вынута ли вилка из розетки.

ЗАТОЧКА НОЖЕЙ

При необходимости заточки ножей можно точить только заклиненные участки.

СМАЗКА

- Для смазки цепей ролика при выполнении средних и мелких операций просто протирайте их. При наличии чрезмерного количества пыли или опилок, покройте цепи тонким слоем смазки, но не лейте масло на цепь. Чрезмерная смазка приводит к более быстрому накоплению пыли и опилок, которые забивают звенья цепи, что приводит к ускоренному износу и необходимости замены деталей. Это относится к цепям снижения скорости и регулировки высоты, а также к подъемным винтам.
- Подшипники режущей головки имеют заводскую смазку и герметизацию. Дополнительных действий по отношению к ним не требуется.

ПЕРИОДИЧЕСКОЕ ТЕХНИЧЕСКОЕ ОБСЛУЖИВАНИЕ

- Накопление пыли и мусора может привести к неточной работе станка. Для точной обработки обязательно проводить периодическую чистку станка.
- Плотно посаженные детали, такие как задвижки и прорези режущей головки, необходимо чистить щеткой; удаляя налипшие посторонние материалы. Затем установите все детали на место, слегка смазав их.
- Удалите смолу и другие посторонние вещества с роликов и рабочего столика с помощью невоспламеняющегося растворителя.

ТРАНСПОРТИРОВКА И ХРАНЕНИЕ

При транспортировке инструмента отключите его от источника питания и демонтируйте. Станок можно транспортировать с помощью ручек по бокам рамы. Храните изделие в безопасном недоступном для детей месте.

Перед постановкой изделия на хранение очищайте его, используя щетку или пылесос.

ЗАЩИТА ОКРУЖАЮЩЕЙ СРЕДЫ



Утилизируйте как сырье, а не выбрасывайте как мусор. Машина, аксессуары и упаковка должны быть отсортированы.

СИМВОЛ



Сигнал опасности



Соответствие требованиям CE



Внимательно прочтите данные инструкции перед использованием продукта.



Класс защиты II, двойная изоляция



Применяйте средства защиты органов слуха



Всегда надевайте защитные очки.



Направление вращения режущего лезвия



Максимальная глубина строгания за один проход



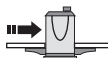
Минимальная длина заготовки



Максимальная ширина заготовки



Высота заготовки



Скорость подачи заготовки

Русский



Длина полотна



Опустите полотно



Поднимите полотно



Отработанная электротехническая продукция должна уничтожаться вместе с бытовыми отходами. Утилизируйте, если имеется специальное техническое оборудование. По вопросам утилизации проконсультируйтесь с местным органом власти или предприятием розничной торговли.

Русский

ПОИСК И УСТРАНЕНИЕ НЕИСПРАВНОСТЕЙ

Неисправность	Возможная причина	Способ устранения
Поверхность ворсистая.	<ol style="list-style-type: none"> 1. Обработка заготовки с высоким содержанием влаги. 2. Ножи слишком тупые. 	<ol style="list-style-type: none"> 1. Высушите заготовку. 2. Поточите ножи.
Поверхность неровная.	<ol style="list-style-type: none"> 1. Разрез слишком глубокий. 2. Обработка осуществлялась против хода волокна. 3. Ножи слишком тупые. 	<ol style="list-style-type: none"> 1. Установите соответствующую глубину разреза. 2. Подайте заготовку по ходу волокна, или разверните ее. 3. Поточите ножи.
Волокно грубое / приподнятое.	<ol style="list-style-type: none"> 1. Ножи слишком тупые. 2. Разрез слишком глубокий. 3. Слишком высокое содержание влаги. 4. Повреждены подшипники режущей головки. 	<ol style="list-style-type: none"> 1. Поточите ножи. 2. Установите соответствующую глубину разреза. 3. Высушите заготовку. 4. Замените подшипники.
Неровная глубина разреза.	<ol style="list-style-type: none"> 1. Нож установлен неровно. 2. Режущая головка не выровнена параллельно основанию станка. 	<ol style="list-style-type: none"> 1. Отрегулируйте расположение ножа. 2. Отрегулируйте режущую головку по отношению к столу.
Толщина доски не соответствует показателю шкалы глубин.	<ol style="list-style-type: none"> 1. Глубина шкалы глубин не верна. 	<ol style="list-style-type: none"> 1. Отрегулируйте глубину на шкале глубин.
Цепь вибрирует.	<ol style="list-style-type: none"> 1. Звездочки не выровнены. 2. Звездочки изношены. 	<ol style="list-style-type: none"> 1. Выровняйте звездочки. 2. Замените звездочку.
Инструмент не включается / не перезапускается.	<ol style="list-style-type: none"> 1. Инструмент не подключен к источнику питания. 2. Двигатель неисправен. 3. Провода плохо закреплены. 4. Невозможно осуществить повторный запуск после отключения вследствие перегрузки. 5. Пускатель двигателя неисправен. 	<ol style="list-style-type: none"> 1. Проверьте источник питания. 2. Проверьте двигатель. 3. Обратитесь в авторизованный сервисный центр для проверки двигателя. 4. Дайте инструменту остыть и выполните повторный запуск. 5. Обратитесь в авторизованный сервисный центр для проверки пускателя двигателя.
Повторяющееся размыкание цепи и остановка двигателя.	<ol style="list-style-type: none"> 1. Удлинитель слишком длинный или сечение провода слишком маленькое. 2. Ножи слишком тупые. 3. Низкое напряжение. 	<ol style="list-style-type: none"> 1. Используйте удлинитель с более коротким или большего сечения проводом. 2. Поточите или замените ножи. 3. Проверьте напряжение.
Плохая подача заготовки.	<ol style="list-style-type: none"> 1. Рабочий столик загрязнен. 2. Поврежден ролик подачи. 3. Звездочка повреждена. 4. Неисправность коробки передач. 	<ol style="list-style-type: none"> 1. Очистите столик от остатков и застрявших частей и смажьте его. 2. Замените ролик подачи. 3. Замените звездочку. 4. Проверьте коробку передач.
Застревание детали.	<ol style="list-style-type: none"> 1. Неверно настроена высота ножа. 	<ol style="list-style-type: none"> 1. Установите нож на необходимую высоту.

**OPIS**

1. Osłona górna
2. Dźwignia regulacji wysokości głowicy tnącej
3. Skala głębokości cięcia
4. Włącznik zasilania
5. Wyłącznik przeciążeniowy
6. Przedłużenie stołu
7. Śruby mocujące podstawę
8. Stopki
9. Śruba blokująca pokrętkę regulacji wysokości
10. Popychacz
11. Miarka do ustawiania ostrza
12. Klucz do śrub sześciokątnych
13. Klucz płaski
14. Plastikowa wskazówka
15. Komora odpylająca
16. Śruby imbusowe
17. Śruby dociskowe
18. Miarka do ustawiania ostrza
19. Pręt blokujący
20. Śruby mocujące
21. Tarczas
22. Sprężyna
23. Śruby imbusowe
24. Nakrętka do regulacji wysokości

Bezpieczeństwo, efektywność i niezawodność były czynnikami o najwyższym priorytecie w trakcie projektowania Państwa strugarki grubościowej.

PRZEZNACZENIE

Strugarka służy do strugania wzdłużnego drewna.

Nie należy używać tego produktu niezgodnie z przeznaczeniem.

OGÓLNE OSTRZEŻENIA DOTYCZĄCE BEZPIECZEŃSTWA**▲ OSTRZEŻENIE**

Podczas używania jakichkolwiek urządzeń elektrycznych należy zachowywać podstawowe środki ostrożności. Pozwoli to uniknąć niebezpieczeństwa pożaru, porażenia prądem lub zranienia. Przed rozpoczęciem pracy zapoznać się ze wszystkimi instrukcjami i zachować je do późniejszego użytku.

- **Miejsce pracy utrzymywać w czystości.** Zagrazone miejsce pracy lub warsztat to częsta przyczyna zranień.
- **Oceniać warunki panujące w miejscu pracy.** Nie wolno wystawiać tego urządzenia na działanie

deszczu. Nie wolno używać narzędzi w warunkach mokrych lub wilgotnych. Miejsce pracy musi być dobrze oświetlone. Nie używać narzędzi w obecności palnych płynów lub gazów.

- **Chronić się przed ryzykiem porażenia prądem elektrycznym.** Unikać kontaktu ciała z ziemią lub uziemionymi powierzchniami (rury, instalacje grzewcze i chłodnicze).
- **Osoby postronne utrzymywać z dala od miejsca pracy.** Nie dopuszczać do miejsca pracy innych osób, szczególnie dzieci ani nie zezwalać na dotykanie narzędzia lub przedłużacza lub na wykonywanie prac za pomocą narzędzia.
- **Nieużywane narzędzia należy odpowiednio przechowywać.** Nieużywane narzędzia należy przechowywać w suchym, zamkniętym miejscu, niedostępnym dla dzieci.
- **Nie używać siły podczas obsługi narzędzia.** Najlepsze efekty pracy, przy zachowaniu pełnego bezpieczeństwa, zapewni używanie tego narzędzia w zakresie parametrów znamionowych i stosownie do jego przeznaczenia.
- **Używać odpowiednich narzędzi.** Nie stosować niewielkich narzędzi do wykonywania prac odpowiednich dla narzędzi przystosowanych do pracy przy dużych obciążeniach. Nie wolno używać żadnych narzędzi do celów, do których nie są przeznaczone: np. pił tarczowych do odcinania gałęzi lub cięcia kłody drewna.
- **Należy zakładać odpowiednią odzież ochronną.** Nie wolno zakładać luźnej biżuterii ani ubrań - mogą zostać wciągnięte przez ruchome elementy urządzenia. Podczas pracy na zewnątrz zaleca się zakładać obuwie antypoślizgowe. Nosić ochronne zabezpieczenie włosów, aby spiąć i osłonić dłuższe włosy.
- **Stosować środki ochrony osobistej.** Zakładać okulary ochronne. Zastosuj maskę na twarz lub maskę przeciwpyłową w przypadku wykonywania prac, podczas których powstaje dużo pyłu.
- **Stosować urządzenia wyciągowe.** Jeśli używane narzędzie posiada przyłącze do wyciągu i gromadzenia kurzu, należy go stosować.
- **Nie rozciągać nadmiernie przewodu.** Nie ciągnąć za przewód w celu wyjęcia wtyczki z gniazda sieciowego. Przewód zasilania trzymać z dala od źródeł ciepła, oleju i ostrych krawędzi.
- **Zabezpieczyć obrabiany przedmiot.** Obrabiany przedmiot zabezpieczyć w zacisku lub imadle, o ile to możliwe. Jest to bardziej bezpieczne niż używanie dłoni.
- **Nie sięgać zbyt daleko.** Należy cały czas pewnie opierać stopy i utrzymywać równowagę.





- **Narzędzia konserwować z zachowaniem ostrożności.** Utrzymywać narzędzia tnące w czystości i naostrzone, co umożliwi uzyskanie lepszej wydajności i większego bezpieczeństwa. Przestrzegać instrukcji smarowania i wymiany przystawek i akcesoriów. Systematycznie kontrolować stan przewodów zasilających, a w przypadku stwierdzenia ich uszkodzenia, niezwłocznie dokonać naprawy w autoryzowanym serwisie. Przedłużacze należy systematycznie kontrolować i wymieniać w przypadku uszkodzenia. Rękojeści utrzymywać w czystości, muszą być zawsze suche, wolne od oleju i smarów.
- **Odłączać nieużywane narzędzia.** Gdy narzędzie nie jest używane, ma być serwisowane, przed zmianą przystawek lub akcesoriów, takich jak ostra, noże, osłony itp., należy je odłączyć od zasilania.
- **Usunąć z miejsca pracy wszelkie klucze i narzędzia.** Konieczne jest wypracowanie nawyku sprawdzania, czy wszystkie narzędzia użyte do montażu akcesoriów lub regulacji, zostały usunięte przed rozpoczęciem pracy.
- **Unikać możliwości przypadkowego uruchomienia urządzenia.** Przed podłączeniem urządzenia do prądu należy upewnić się, że wyłącznik jest w pozycji wyłączonyj.
- **Używać przedłużaczy przeznaczonych do użytku na zewnątrz pomieszczeń.** W przypadku używania urządzenia na zewnątrz, ewentualne przedłużacze muszą być do tego przystosowane i odpowiednio oznaczone.
- **Zachować ostrożność i przytomność umysłu.** Obserwować wykonywane czynności, używać zdrowego rozsądku, nie używać narzędzia będąc w stanie zmęczenia.
- **Kontrolować stan techniczny poszczególnych elementów.** Przed dalszym użyciem urządzenia należy je dokładnie sprawdzić, upewniając się, że działa prawidłowo i zgodnie z przeznaczeniem. Sprawdzić wyrównanie elementów ruchomych, sprawdzić, czy wirują/poruszają się swobodnie, sprawdzić czy nie ma jakichkolwiek uszkodzeń, czy montaż jest poprawny, należy uwzględnić wszystkie aspekty mające wpływ na bezpieczną pracę urządzenia. Uszkodzone elementy należy naprawić lub wymienić w autoryzowanym serwisie, o ile nie podano inaczej w tej instrukcji. Wymienić uszkodzone wyłączniki w autoryzowanym punkcie serwisowym. Nie wolno używać tego urządzenia, jeśli wyłącznik nie pracuje poprawnie.
- **Ostrzeżenie.** Stosowanie jakichkolwiek przystawek, akcesoriów lub innych elementów, które nie zostały wymienione w tej instrukcji grozi wypadkiem.
- **Narzędzia muszą być naprawiane przez wykwalifikowany personel.** Elektronarzędzie,

którego dotyczy ta instrukcja, spełnia odpowiednie wymogi w zakresie bezpieczeństwa. Naprawy mogą być przeprowadzane wyłącznie przez wykwalifikowany personel, z użyciem oryginalnych części zamiennych, w przeciwnym wypadku może dojść do zagrożenia bezpieczeństwa użytkownika urządzenia.

OSTRZEŻENIA DOTYCZĄCE BEZPIECZEŃSTWA STRUGARKI

- W trakcie użytkowania narzędzia z napędem należy zawsze nosić okulary ochronne oraz środki ochrony słuchu.
- W trakcie przemieszczania ciętego bloku i szorstkich elementów należy nosić rękawice w celu ograniczenia urazów powodowanych przez ostre krawędzie.
- Załóżcie ochronę na twarz lub maskę przeciwpyłową w wypadku gdy przy pracy wydziela się pył.
- Przed uruchomieniem maszyny należy upewnić się, że wszystkie śruby mocujące są dokręcone.
- Przed rozpoczęciem regulacji należy zawsze zatrzymać silnik i odłączyć maszynę od źródła zasilania.
- Przed rozpoczęciem pracy należy sprawdzić, czy wszystkie osłony są założone.
- Przed rozpoczęciem pracy należy dokładnie przeczytać instrukcję obsługi oraz zapoznać się z maszyną.
- Nie wymuszań ruchu obrabianych elementów przez maszynę, przepychając je. Poczekać, aż produkt zacznie samoczynnie przesuwac obrabiany element.
- Od czasu do czasu sprawdzać rolki podające w celu upewnienia się, że trociny i drzazgi nie utknęły między komponentami. Jeśli rolki nie są dobrze osadzone, nie będą dokładnie dociskać elementu obrabianego do stołu, co może grozić jego odrzutem.
- Należy sprawdzić i upewnić się, że w trakcie strugania drewna stoły rolkowe znajdują się w tej samej płaszczyźnie, co stół roboczy, a rolki mogą swobodnie się obracać w trakcie strugania długich elementów.
- Produktu należy używać wyłącznie do strugania suchych desek drewnianych.
- Należy stosować solidne drewno, bez luźnych sęków, a także z możliwie jak najmniejszą liczbą sęków.
- Nigdy nie stawać bezpośrednio za elementem wciągany lub przed elementem wysuwany na linii posuwu. Zawsze stawać z boku, po jednej ze stron maszyny.
- Sprawdzić, czy element obrabiany nie zawiera gwoździ, śrub, kamieni i innych ciał obcych, które mogłyby uszkodzić ostrza.





Polski

- Sprawdzić, czy ostrza są zamontowane w sposób prawidłowy oraz zgodnie z opisem w instrukcji.
- Zachować ostrożność w trakcie manipulowania ostrzami i zespołem głowicy tnącej. Ostrza są ostre i mogą łatwo spowodować skaleczenia dłoni.
- Przed rozpoczęciem pracy poczekać, aż głowica tnąca osiągnie pełną prędkość.
- Gdy koniec elementu obrabianego zacznie zbliżać się do ostrzy, pchać element obrabiany popychaczem, a nie dłońmi. Nieużywany popychacz składować na stole roboczym.
- Używać dobrze naostrzonych i należyście konserwowanych ostrzy.
- Używać wyłącznie ostrzy przeznaczonych dla tego produktu.
- Przed rozpoczęciem pracy upewnić się, że strugarka jest bezpiecznie zamontowana. W trakcie strugania długich elementów należy zwrócić szczególną uwagę na stabilność.
- Dłonie należy trzymać z dala od poruszającego się ostrza.
- Nie wykonywać cięć na głębokość powyżej 3 mm (1/8 cala).
- Nosić środki ochrony oczu zgodnie z lokalnymi normami bezpieczeństwa.
- Nie usuwać zakleszczonych elementów przed zatrzymaniem ostrza i ODŁĄCZENIEM zasilania.

⚠ OSTRZEŻENIE

Nigdy nie wykonywać następujących czynności:

- przerywać pracy (tj. nie wykonywać cięć krótszych niż pełna długość elementu obrabianego);
- strugać wgłębień, wypustów lub form;
- strugać wypaczonych elementów drewnianych z niewystarczającym kontaktem ze stołem podającym.

ZAPADKA PRZECIWODRZUTOWA

Zobacz rysunek 2.

- Zapadka przeciwdrzutowa to urządzenie, które w przypadku należytego montażu i konserwacji ma za zadanie zatrzymanie elementu wyrzucanego w kierunku przedniej części ostrza w trakcie pracy maszyny.

ZAPOBIEGANIE ODRZUTOWI

- Zawsze stosować właściwe ustawienie głębokości ostrza.

Przed przystąpieniem do cięcia sprawdzić element obrabiany pod kątem występowania sęków lub gwoździ. Wybić wszystkie luźne sęki młotkiem. Nigdy nie ciąć luźnych sęków ani gwoździ.

- Zawsze stosować czyste, naostrzone i właściwie ustawione ostrza.
- Nigdy nie używać produktu ze stępionymi ostrzami.
- Aby zapobiec uwięzieniu ostrza, należyście podeprzeć element obrabiany przed rozpoczęciem pracy.
- W trakcie strugania przykładać stały, równomierny nacisk. Nigdy nie wymuszać ruchu produktu.
- Nie strugać mokrego ani wypaczonego drewna.
- Zawsze mocno trzymać element obrabiany dwiema rękoma, utrzymując ciało w zrównoważonej pozycji i w gotowości do stawienia oporu odrzutowi. Nigdy nie stawać bezpośrednio na torze ruchu drewna.

RYZYKO ZWIĄZANE Z UŻYTKOWANIEM

Nawet jeśli produkt jest używany zgodnie z zaleceniami, nadal nie jest możliwe wyeliminowanie określonych czynników ryzyka. Operator powinien zwracać szczególną i dodatkową uwagę na te punkty w celu ograniczenia ryzyka poważnych obrażeń ciała.

- Urazy słuchu – Należy stosować odpowiednie środki ochrony uszu oraz ograniczyć poziom narażenia.
- Urazy wzroku – Należy nosić osłony oczu lub okulary ochronne podczas korzystania z produktu.
- Urazy dróg oddechowych spowodowane pyłem wytwarzanym podczas obsługi produktu – Należy stosować odpowiednie środki ochronne w zależności od typu pyłu.

ZASILANIE PRĄDEM ELEKTRYCZNYM

Urządzenie jest wyposażone w precyzyjny silnik elektryczny. Urządzenie powinno być zasilane prądem przemiennym (AC) o napięciu 220~240 V, 50 Hz (typowe parametry domowych instalacji elektrycznych). Nie wolno podłączać urządzenia do źródła prądu stałego (DC). Znaczny spadek napięcia spowoduje utratę mocy i przegrzewanie się silnika. Jeśli urządzenie nie działa po podłączeniu do gniazda zasilania, należy ponownie sprawdzić parametry źródła zasilania.

PRĘDKOŚĆ I PRZEWODY ZASILANIA

Prędkość obrotowa bez obciążenia wynosi około 9000 obr/min. Prędkość nie jest stała i spada pod obciążeniem lub w przypadku spadku napięcia. Napięcie w instalacji elektrycznej warsztatu jest również ważne jak moc silnika



**Polski**

urządzenia. Linia przeznaczona wyłącznie do zasilania oświetlenia może być nieodpowiednia do zasilania silnika elektronarzędzia. Przewód o obciążalności wystarczającej na krótszym odcinku, może okazać się zbyt słaby w przypadku większej odległości. Linia o obciążalności wystarczającej dla jednego elektronarzędzia może nie mieć obciążalności wystarczającej dla dwóch lub trzech narzędzi.

Uszkodzony przewód sieciowy powinien zostać wymieniony przez autoryzowany punkt serwisowy, samodzielna wymiana zagraża bezpieczeństwu użytkownika.

Wtyczkę należy podłączać wyłącznie do gniazda sieciowego o identycznej konfiguracji. Do podłączenia zasilania nie wolno stosować żadnych adapterów (przejściówek).

Dla większego bezpieczeństwa i lepszej pewności, wszystkie naprawy powinny być wykonywane w Autoryzowanym Punkcie Serwisowym RYOBI.

Obwody lub gniazda stosowane do zasilania produktu należy wyposażyć w wyłącznik różnicowoprądowy. Odpowiednie zabezpieczenie zapewniają dostępne w handlu gniazda z zabezpieczeniem RCD.

Jeśli produkt jest używany z przedłużaczem, sprawdzić, czy połączenie przewodu zasilającego narzędzia i przedłużacz nie znajdują się na gruncie. Dodatkowe urządzenia należy podłączać do gniazd sieciowych ściennych, nie należy ich podłączać do przedłużaczy zasilających maszynę.

Jeśli gniazdo zabezpieczone nie jest dostępne, nie używać produktu do momentu gdy nie będzie możliwa zmiana gniazda lub uzyskanie dodatkowego zabezpieczenia. Tego rodzaju elementy zabezpieczające są dostępne u przedstawicieli lokalnych.

LISTA CZĘŚCI DOSTARCZANYCH LUZEM

Pozycja	Opis	Ilość
2	Dźwignia regulacji wysokości głowicy tnącej	1
7	Śruby mocujące podstawę	4
8	Stopki	4
9	Śruba blokująca pokrętkła regulacji wysokości	1
10	Popychacz	1
11	Miarka do ustawiania ostrza	1
12	Klucz do śrub sześciokątnych	2
13	Klucz płaski	1

MONTAŻ**PRZEMIESZCZANIE STRUGARKI**

Zobacz rysunek 3.

- Produkt można przenosić, chwytając za uchwyty po obydwu stronach ramy. Przed przystąpieniem do przemieszczania produktu upewnić się, że przedłużenia stołu są zamknięte.

MONTAŻ STOPEK

- Przymocować stopki w narożnikach na spodzie produktu.

MONTAŻ STRUGARKI NA DREWNIANEJ PODSTAWIE

Patr.: rysunki 5–6.

- Gdy strugarka nie jest montowana na stojaku do strugarek, sugeruje się zamontowanie jej na dwóch kawałkach drewna. Zapewni to maksymalną stabilność.
- Wybrać dwa kawałki drewna zgodnie z wymiarami przedstawionymi na ilustracji. Zamontować produkt na powierzchni drewna.
- Użyć czterech śrub do mocowania podstawy (dostarczone) w celu zamocowania podstawy strugarki na drewnie.

PODPÓRKA NA ELEMENTY OBRABIANE

Zobacz rysunek 7.

- Podpórka na elementy obrabiane znajdująca się w górnej części strugarki umożliwia wygodne przemieszczanie elementów obrabianych przed kolejnymi operacjami cięcia. Elementy obrabiane kładzione na górnej powierzchni maszyny mogą być łatwo ściągane w stronę operatora w celu ostrugania.

OBSŁUGA**PRZEŁĄCZNIK WŁ-WYŁ**

Zobacz rysunek 8.

- Aby włączyć produkt, nacisnąć, przycisk I. Aby wyłączyć produkt, nacisnąć, przycisk O.

⚠ OSTRZEŻENIE

Przed podłączeniem strugarki do źródła zasilania zawsze sprawdzić, czy wyłącznik znajduje się w położeniu OFF.

WYŁĄCZNIK PRZECIĄŻENIOWY OBWODU

Zobacz rysunek 8.





Polski

- Maszyna wyposażona jest w chroniący przed przeciążeniem wyłącznik przeciążeniowy. W przypadku wystąpienia przeciążenia wyłącznik zostanie rozłączony. Jeśli do tego dojdzie, należy poczekać kilka minut i nacisnąć przelącznik, aby wyzerować maszynę.

REGULACJA GŁĘBOKOŚCI CIĘCIA

Zobacz rysunek 9.

▲ OSTRZEŻENIE

Nigdy nie strugać więcej niż 3 mm w jednym przejściu i nigdy nie podejmować prób strugania desek o długości poniżej 127 mm. Zawsze nosić osłonę twarzy.

- W celu wyregulowania głębokości cięcia obracać dźwignię regulacji wysokości głowicy tnącej w kierunkach oznaczonych na górnej powierzchni strugarki. Ustawioną głębokość cięcia można odczytać ze skali głębokości cięcia. Tempo regulacji wynosi 1,6 mm na obrót dźwigni.
- Zawsze rozpoczynać pracę od zestrugania cienkiej warstwy. Głębokość cięcia w kolejnych przebiegach można zwiększać do 3 mm — należy jednak pamiętać, że struganie cienkich warstw pozwala uzyskać gładze wykończenie niż struganie warstw o większej grubości.
- Grubość elementów drewnianych przepuszczanych przez strugarkę zależy od ustawionej odległości ostrza tnącego od stołu.
 - Nie strugać elementów drewnianych o grubości poniżej 7 mm.
 - Nie strugać elementów drewnianych o grubości powyżej 153 mm.

WYREGULOWAĆ SKALĘ GŁĘBOKOŚCI CIĘCIA.

Zobacz rysunek 9.

Dla bezpiecznego działania strugarki bardzo istotny jest precyzyjny odczyt skali głębokości cięcia. W celu wyregulowania skali głębokości cięcia należy wykonać następujące kroki:

- Wprowadzić deskę przeznaczoną do strugania. Porównać zmierzoną grubość deski z odczytem na skali głębokości cięcia.
- Jeśli odczyt skali głębokości cięcia jest nieprawidłowy, poluzować śrubę mocującą plastikową wskazówkę i odpowiednio ją wyregulować.
- Po należytym wyregulowaniu skali głębokości cięcia sprawdzić odczyt, strugając odpadowy kawałek drewna. Po zestruganiu zmierzyć grubość elementu i ponownie sprawdzić odczyt skali. Obydwa pomiary powinny być takie same. W razie potrzeby ponownie

wyregulować skalę głębokości cięcia, dopasowując ją do odczytanej wartości.

DEMONTAŻ OSTRZY STRUGARKI

Patrz: rysunki 10-12.

W celu zdemontowania ostrzy wykonać następujące kroki:

▲ OSTRZEŻENIE

Odlączyć produkt od źródła zasilania przed przystąpieniem do demontażu ostrzy.

- Zdemontować kanał odpylający, wykręcając cztery mocujące go śruby imbusowe.
- Poluzować pręt blokujący i ostrze, obracając śruby dociskowe w prawo. Ostrza są dociskane sprężynami i zostaną wypchnięte po poluzowaniu zespołu.
- Wyjąć ostrze, a następnie pręt blokujący ostrze.

MONTAŻ / WYMIANA OSTRZY STRUGARKI

Zobacz rysunek 12.

W celu zamontowania ostrzy wykonać następujące kroki:

- Zdemontować ostrza zgodnie z instrukcją w punkcie „DEMONTAŻ OSTRZY STRUGARKI”.
- Odczyścić głowicę tnącą strugarki ze wszystkich pozostałości.
- Zamontować pręt blokujący ostrze w szczelinie głowicy tnącej.
- Zamontować ostrze w szczelinie głowicy tnącej i zamocować zespół pręta blokującego, obracając śruby mocujące w lewo. Upewnić się, że ostrze jest odpowiednio skierowane i wyśrodkowane w szczelinie.
- Ustawić ostrza zgodnie z instrukcją w punkcie „USTAWIANIE WYSOKOŚCI OSTRZY”. Wysokość ostrzy trzeba ustawić ponownie po każdym demontażu, niezależnie od powodu.
- Po zamontowaniu ostrzy należy pamiętać o ponownym zamontowaniu kanału odpylającego.

USTAWIANIE WYSOKOŚCI OSTRZY

Patrz: rysunki 13-14.

- W celu uzyskania występu ostrza o wysokości 1,1 mm umieścić miarkę do ustawiania ostrza na głowicy tnącej tak, by obydwie prowadnice dokładnie opierały się na ostrzu.
- Poluzować zespół, obracając siedem śrub mocujących w prawo za pomocą klucza maszynowego.
- Po przesunięciu ostrza na wymaganą wysokość ponownie zamocować zespół, obracając śruby mocujące w lewo. Sprawdzić, czy wszystkie siedem śrub mocujących jest dokładnie dokręcone.



Polski**▲ OSTRZEŻENIE**

Kraweźdź ostrza jest bardzo podatna na kruszenie się. W trakcie przemieszczania miarki przy ostrzach należy zachować ostrożność, tak aby ich nie uszkodzić.

▲ OSTRZEŻENIE

Zespół musi być dokładnie zamocowany, tak by można było zapobiec wypadkom w trakcie strugania.

PODŁĄCZANIA INSTALACJI ODPYLAJĄCEJ

Zobacz rysunek 19.

Pył wydzielający się podczas pracy tego narzędzia może być szkodliwy dla zdrowia. Należy stosować instalację odpylającą i dokładnie usuwać osadzający się pył np. odkurzaczem.

Aby podłączyć instalację odpylającą:

- Odłączyć urządzenie z gniazda sieciowego.
- Podłączyć dyszę systemu odprowadzania pyłu do złącza zasysania pyłu.

Często czyścić wąż instalacji odpylającej, aby uniknąć gromadzenia się pyłu.

REGULACJA**WYRÓWNYWANIE GŁOWICY I STOŁU ROBOCZEGO**

Patrz: rysunki 15-18.

Ostrugać element obrabiany, a następnie zmierzyć jego grubość. Jeśli grubości zmierzone po obydwu stronach elementu roboczego będą się różnić, wykonać następujące czynności:

Wyregulować wał głowicy tnącej i stołu roboczego, tak by były ustawione równoległe. Narzędzia do sprawdzania pokazano na rysunku 15. Użyć klocka z drewna twardego do wykonania blokady prześwitu narzędzia zgodnie z wymiarami podanymi na rysunku. Wykonać regulację zgodnie z poniższymi procedurami.

- Zdemontować uchwyt dźwigni regulacji wysokości oraz zarówno górną, jak i boczne pokrywy, wykręcając śruby imbusowe w celu uwidocznienia nakrętki zabezpieczających mechanizmu regulacji wysokości.
- Poluzować nakrętki zabezpieczające mechanizmu regulacji.
- Przemieścić nakrętki zabezpieczające mechanizmu regulacji w górę lub w dół, aby dopasować wysokość

do wysokości klocka blokującego.

- Po osiągnięciu właściwej wysokości dokręcić nakrętki zabezpieczające.
- Ponownie zamontować pokrywy boczne i pokrywę górną oraz uchwyt dźwigni regulacji wysokości.

UWAGA: Przed uruchomieniem maszyny usunąć klocek blokujący.

Struganie grubościowe polega na zmniejszaniu wymiaru elementu obrabianego do pożądanej grubości przy jednoczesnym tworzeniu gładkiej powierzchni równoległej do przeciwległej strony deski.

Umiejętne struganie grubościowe polega głównie na posługiwaniu się należyтым osądem w zakresie głębokości cięcia w różnych sytuacjach. Konieczne jest uwzględnienie:

1. szerokości drewna,
2. twardości drewna,
3. wilgotności drewna,
4. prostości drewna,
5. kierunku włókien, a także
6. struktury włókien.

Wpływ tych czynników na jakość pracy można poznać wyłącznie w miarę zdobywania doświadczenia. Przed przystąpieniem do pracy z nowym rodzajem drewna lub z drewnem sprawiającym nietypowe problemy należy wykonywać próbne struganie na materiałach odpadowych przed przystąpieniem do obróbki właściwego elementu.

STRUGANIE DODATKOWE

Jeśli w celu uzyskania pożądanej grubości konieczne okaże się powtórzenie strugania, należy obniżyć głowicę tnącą dźwignią ręczną o nie więcej niż 3 mm i wykonać kolejne przejście.

▲ OSTRZEŻENIE

Nigdy nie strugać więcej niż 3 mm w jednym przejściu i nigdy nie podejmować prób strugania desek o długości poniżej 127 mm. Zawsze nosić osłonę twarzy.



Polski

KONSERWACJA

OSTRZEŻENIE

Zawsze należy upewnić się, że wtyczka zasilania została wyjęta z gniazda elektrycznego przed rozpoczęciem regulacji, smarowania lub konserwacji produktu.

OSTRZENIE OSTRZA

W przypadku stępienia ostrza dopuszczalne jest wyłączenie ostrzenia dotychczasowych ukośnych powierzchni ostrza.

SMAROWANIE

- W ramach smarowania łańcuchów sworzniowych stosowanych w średnio lub mało intensywnie eksploatowanych maszynach wystarczy po prostu wytrzeć je do czysta. W przypadku nadmiernego nagromadzenia pyłu, trocin itp. należy pokryć łańcuch cienką warstwą oleju, jednak nigdy nie należy łać oleju bezpośrednio na łańcuch. Stosowanie nadmiernej ilości oleju przyspiesza gromadzenie się pyłu i trocin, a także wciskanie ich w elementy łańcucha, co prowadzi do wzrostu zużycia i konieczności przedwczesnej wymiany. Dotyczy to łańcuchów do redukcji prędkości oraz regulacji wysokości, a także śrub podnoszących.
- Łożyska głowicy tnącej są nasmarowane fabrycznie i hermetycznie zamknięte. Nie wymagają one wykonywania żadnych zabiegów.

KONSERWACJA OKRESOWA

- Gromadzenie się trocin i innych resztek może skutkować nierównym struganiem. Okresowe czyszczenie jest warunkiem koniecznym precyzji strugania i w związku z tym jest zdecydowanie zalecane.
- Dokładnie spasowane części, takie jak pręty blokujące i szczeliny w głowicy tnącej strugarki, należy czyścić szczotką, usuwając przywarłe zanieczyszczenia. Następnie należy ponownie montować wszystkie części we właściwych położeniach, oliwić je uprzednio niewielką ilością oleju.
- Usunąć żywicę i inne nagromadzone zanieczyszczenia z rolek podających i stołu za pomocą nietłatwowalnego rozpuszczalnika.

TRANSPORT I PRZECHOWYWANIE

Produkt należy odłączać zasilanie i rozmontowywać na czas transportu. Produkt należy przenosić za uchwyty po obydwu stronach ramy. Produkt należy przechowywać w bezpiecznym miejscu, które jest niedostępne dla dzieci.

Przed schowaniem produktu należy wyczyścić go za pomocą szczotki lub odkurzacza.

OCHRONA ŚRODOWISKA



Surowce należy oddawać do powtórnego przetworzenia zamiast wyrzucać je na śmieci. Z myślą o ochronie środowiska, narzędzie, akcesoria i opakowania powinny być sortowane.

SYMBOL



Uwaga dotycząca bezpieczeństwa



Zgodność CE



Przed uruchomieniem produktu należy dokładnie przeczytać te instrukcje.



Klasa II, podwójna izolacja



Stosować środki ochrony słuchu



Zawsze nosić okulary ochronne.



Kierunek obrotów ostrza



Maksymalna głębokość strugania na przejście



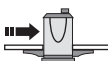
Minimalna długość strugania



Maksymalna szerokość strugania



Wysokość strugania



Prędkość podawania



Polski



Długość brzeszczotu



Obniżyć ostrze



Podnieść ostrze



Zużyte produkty elektryczne nie powinny być utylizowane z odpadami domowymi. Prosimy poddawać recyklingowi w odpowiednich miejscach. Informacje o właściwych metodach recyklingu można uzyskać u władz lokalnych lub sprzedawcy.





Polski

ROZWIĄZYWANIE PROBLEMÓW

Problem	Prawdopodobna przyczyna	Rozwiązanie
Włókna są postrzępione.	<ol style="list-style-type: none"> 1. Struganie drewna o zbyt dużej wilgotności. 2. Ostrza są tępe. 	<ol style="list-style-type: none"> 1. Wysuszyć drewno. 2. Naostrzyć ostrza.
Włókna są porozdzierane.	<ol style="list-style-type: none"> 1. Strugana warstwa jest zbyt gruba. 2. Ostrza tną w poprzek włókien. 3. Ostrza są tępe. 	<ol style="list-style-type: none"> 1. Sprawdzić właściwą głębokość cięcia. 2. Wprowadzić element obrabiany wzdłuż włókien lub obrócić go. 3. Naostrzyć ostrza.
Włókna są szorstkie/ podwyższone.	<ol style="list-style-type: none"> 1. Ostrza są tępe. 2. Strugana warstwa jest zbyt gruba. 3. Wilgotność jest zbyt wysoka. 4. Łożyska głowicy tnącej są uszkodzone. 	<ol style="list-style-type: none"> 1. Naostrzyć ostrza. 2. Sprawdzić właściwą głębokość cięcia. 3. Wysuszyć drewno. 4. Wymienić łożyska.
Nierówna głębokość cięcia w poprzek elementu.	<ol style="list-style-type: none"> 1. Długość ostrza jest niejednorodna. 2. Głowica tnąca nie jest wyrównana z łożem strugarki. 	<ol style="list-style-type: none"> 1. Wyregulować długość (wystającą część) ostrza. 2. Wyrównać głowicę tnącą ze stołem.
Grubość deski nie odpowiada skali głębokości cięcia.	<ol style="list-style-type: none"> 1. Skala głębokości cięcia jest nieprawidłowa. 	<ol style="list-style-type: none"> 1. Wyregulować skalę głębokości cięcia.
Łańcuch przeskakuje.	<ol style="list-style-type: none"> 1. Zęby koła łańcuchowego są nieprawidłowo wyrównane. 2. Zęby koła łańcuchowego są zużyte. 	<ol style="list-style-type: none"> 1. Wyrównać zęby koła łańcuchowego. 2. Wymienić koło zębate.
Narzędzie nie uruchamia się lub nie uruchamia się po zatrzymaniu.	<ol style="list-style-type: none"> 1. Narzędzie nie jest podłączone do zasilania. 2. Awaria silnika. 3. Przewód jest luźny. 4. Wyłącznik przeciążeniowy uległ awarii. 5. Awaria rozrusznika silnika. 	<ol style="list-style-type: none"> 1. Sprawdzić źródło zasilania. 2. Sprawdzić silnik. 3. Zlecić kontrolę silnika autoryzowanemu serwisowi. 4. Poczekać, aż maszyna ostygnie, a następnie uruchomić ją ponownie. 5. Zlecić kontrolę rozrusznika autoryzowanemu serwisowi.
Wielokrotne rozłączanie obwodu skutkujące zatrzymaniem silnika.	<ol style="list-style-type: none"> 1. Przewód przedłużacza jest zbyt długi lub zbyt cienki. 2. Ostrza są zbyt tępe. 3. Niskie napięcie robocze. 	<ol style="list-style-type: none"> 1. Zastosować krótszy lub grubszy przedłużacz. 2. Naostrzyć lub wymienić ostrza. 3. Sprawdzić napięcie.
Wadliwe podawanie drewnianych obrabianych elementów	<ol style="list-style-type: none"> 1. Stół strugarki jest brudny. 2. Podajnik rolkowy jest uszkodzony. 3. Koło zębate jest uszkodzone. 4. Skrzynia biegów działa nieprawidłowo. 	<ol style="list-style-type: none"> 1. Usunąć żywicę i pozostałe zanieczyszczenia oraz nasmarować stół strugarki. 2. Wymienić podajnik rolkowy. 3. Wymienić koło zębate. 4. Sprawdzić skrzynię biegów.
Element obrabiany zakleszczył się.	<ol style="list-style-type: none"> 1. Nieprawidłowe ustawienie wysokości ostrza. 	<ol style="list-style-type: none"> 1. Ustawić prawidłową wysokość ostrza.



Čeština

POPIS

1. Ochrana zeshora
2. Rukojeť kliky pro nastavení výšky řezací hlavy
3. Hloubka řezu
4. Vypínač napájení
5. Spínač přetížení
6. Prodloužení stolu
7. Základní zámkové šrouby
8. Nohy
9. Zámkové šrouby regulující výšku
10. Vytahovací tyčák
11. Měřidlo nastavení čepele
12. Klíč pro šestihřanné šrouby a matice
13. Klíč s otevřeným koncem
14. Plastový ukazatel
15. Prachový přehoz
16. Šrouby šestiúhelníkovou maticí
17. Utahovací šrouby
18. Měřidlo nastavení čepele
19. Zámková deska
20. Zámkové šrouby
21. Pilový kotoučs
22. Pružina
23. Imbusové klíče

Při konstrukci tohoto řezače desek hrály hlavní roli bezpečnost, výkon a spolehlivost.

ZAMÝŠLENÉ POUŽITÍ

řezač určen k rozřezání dřeva na desky.

Nepoužívejte výrobek jinak než je uvedeno v určeném použití.

VŠEOBECNÁ BEZPEČNOSTNÍ VAROVÁNÍ

VAROVÁNÍ

Pokud používáte elektrické nástroje, měly by být dodržovány základní bezpečnostní předpisy za účelem snížení nebezpečí požáru, elektrického úrazu a osobní újmy. Dříve než výrobek poprvé použijete, důkladně si přečtěte tyto pokyny a poté je uschovejte.

- **Udržujte pracoviště čisté.** Zaházené oblasti a ponky vedou k poraněním.
- **Berte ohled na pracovní oblast.** Chraňte nástroje před deštěm. Nástroj nepoužívejte ve vlhkých ani mokřích prostředích. Mějte pracoviště dobře osvětleno. Nepoužívejte nástroje v přítomnosti hořlavých kapalin nebo plynů.

- **Chraňte se před zásahem elektrickým proudem.** Předcházejte tělesnému kontaktu s uzemněnými nebo zemními povrchy (například trubky, radiátory, sporáky, lednice).
- **Udržujte ostatní přihlížející v povzdálí.** Nenechte osoby, obzvláště děti, aby se zapojovaly do práce, dotýkat se nástroje nebo prodlužovacího kabelu a udržujte je mimo pracovní oblast.
- **Ukládejte nevyužívané nástroje.** Nástroj vždy po použití skladujte na suchém místě a mimo dosah dětí.
- **Nepoužívejte nadměrnou sílu na nástroj.** Nástroj bude svou práci provádět lépe a bezpečněji při určeném přísunu materiálu, pro který byl navržen.
- **Používejte správný nástroj.** Nepoužívejte nadměrnou sílu na malé nástroje, abyste vykonali práci jako se silnějším nástrojem. Nepoužívejte nástroj pro práce, pro které není určen, například nepoužívejte rotační pilu pro řezání větví stromu nebo kmenů.
- **Správně se oblékejte.** Nenoste volné oblečení nebo šperky, mohou se zachytit do pohyblivých částí přístroje. Noste neklouzavou obuv, která je doporučena pro venkovní práce. Máte-li dlouhé vlasy, noste pokrývku hlavy.
- **Používejte ochrannou výbavu.** Používejte bezpečnostní brýle. Při práci používejte obličejový štít nebo protiprašný respirátor, pokud při práci vzniká prach.
- **Připojte příslušenství pro odsávání prachu.** Pokud je nástroj vybaven přípojkou pro odsávání prachu a sběrným zařízením, ujistěte se, že jsou zařízení správně připojena k nástroji, a že se správně používají.
- **Nepoškozujte napájecí kabel.** Nikdy nevytrhávejte kabel ze zásuvky. Udržujte kabel mimo horké plochy, olej a ostré hrany.
- **Bezpečná práce.** Používejte svorky nebo svěrák pro přidržení obrobku. Je to bezpečnější než použití vašich rukou.
- **Nepřečnujte se.** Udržujte řádné postavení a rovnováhu po celou dobu práce.
- **Přístroje pečlivě udržujte.** Řezací nástroje udržujte ostré a čisté, abyste dosáhli lepšího a bezpečnějšího výkonu. Postupujte dle pokynů pro mazání a výměnu příslušenství. Pravidelně kontrolujte kabely přístroje, a pokud jsou poškozeny, nechejte je vyměnit v autorizovaném servisu. Pravidelně prohlížejte napájecí kabel a vyměňujte jej, pokud je poškozený. Udržujte rukojeť suché, čisté a bez mastnot a oleje.
- **Odpojte nástroje.** Před servisem, při nepoužívání nebo při výměně příslušenství, jako kotoučů, nástrojů, nožů, se musí nástroje odpojovat ze sítě.
- **Odstraňte seřizovací klíče a nástroje.** Zvykněte si, abyste vždy pohledem zkontrolovali, zda jsou

Čeština

z přístroje před jeho zapnutím odstraněny všechny klíče a seřizovací klíče.

- **Zabraňte náhodnému spuštění.** Zkontrolujte, zda je před zapojením do zásuvky spínač napájení v poloze „off“ (vypnuto).
- **Používejte prodlužovací kabely pro venkovní prostředí.** Pokud používáte nástroje venku, používejte správné prodlužovací kabely určené pro použití venku a také tak označené.
- **Buďte ve střehu.** Buďte ve střehu, hlídejte, co děláte a používejte zdravý rozum a neprovazujte nástroj, pokud jste unaveni.
- **Zkontrolujte, zda nejsou nějaké díly poškozeny.** Před dalším použitím přístroje je potřeba jej pozorně zkontrolovat, abyste určili, zda bude správně fungovat a vykonávat činnost, na kterou je určen. Zkontrolujte seřízení pohyblivých částí, spojení pohyblivých částí, rozbité části upevňovačů a další jiné podmínky, které mohou ovlivnit chod nástroje. Kryt nebo jiný díl, který se poškodí, je potřeba správně opravit nebo vyměnit v autorizované servisní opravě, pokud to není určeno jinak v tomto návodu k obsluze. Poškozené spínače smí vyměnit pouze pověřené servisní středisko. Nástroj nepoužívejte, pokud přepínač nezapíná nebo nevypíná.
- **Varování.** Používání jiného než v této příručce doporučeného příslušenství nebo doplňků může vést k poranění osob.
- **Nástroj nechávejte opravit u kvalifikované osoby.** Tento elektrický nástroj je v souladu s příslušnými bezpečnostními předpisy. Je potřeba, aby opravy vykonávali jen kvalifikované osoby pomocí originálních náhradních dílů, nedodržení pokynu může způsobit značné ohrožení uživatele.

BEZPEČNOSTNÍ VAROVÁNÍ ŘEZAČE

- Při používání elektrického nástroje vždy noste brýle a chrániče sluchu.
- Při nakládání s řezným blokem noste rukavice a drsný materiál, abyste omezili zranění od ostrých rohů.
- Při práci používejte obličejový štít nebo protiprašný respirátor, pokud při práci vznikají jemné odpadové piliny.
- Před spuštěním přístroje si zkontrolujte, zda máte utaženy všechny uchycovací šrouby.
- Před prováděním jakýchkoliv změn vypněte motor a odpojte od zdroje elektrické energie.
- Před provozem se ujistěte, že všechny ochrany jsou na svém místě.
- Před spuštěním si také přečtěte příručku provozovatele a seznáme se s přístrojem.

- Do přístroje netlačte předměty. Nechejte přístroj, aby přijímal předměty správnou rychlostí.
- Občas zkontrolujte pojezdy, abyste se přesvědčili že se mezi žádnými komponenty nenachází piliny a odřezky. Pokud pojezdy nedoléhají pevně, nebudou pevně držet dřevo vůči podložce a dřevo se bude vracet zpět.
- Zkontrolujte a ověřte, že pojezdové desky se nachází ve stejné rovině jako pracovní desky, když řezáte dřevo a že se mohou pojezdy volně protáčet při řezání dlouhých kusů.
- Zařízení používejte pouze k řezání suchého dřeva.
- Používejte pouze kvalitní dřevo, bez volných suků a s minimem pevných suků.
- Nikdy nestůjte přímo naproti línii, kde dřevo vstupuje nebo vystupuje z přístroje. Vždy stůjte na jedné straně zařízení.
- Ujistěte se, že na opracovávaném kusu se nenachází hřebíky, vruty, šrouby, kameny nebo jiné cizí předměty, které by mohly poškodit čepel.
- Ujistěte se, že jsou čepele správně připevněny dle popisu v pokynech.
- Při nakládání s čepelemi a řeznou hlavou postupujte opatrně. Čepele jsou ostré a mohou vás snadno pořezat.
- Před použitím nechte čepele dosáhnout plné rychlosti.
- Když se konec desky bude blížit k čepeli používejte k posunu desky k tomu určenou tyčku, desku neposunujte rukou. Když se tyčka nepoužívá, měli byste ji uchovávat na pracovní desce.
- Používejte řádně naostřené a udržované čepele.
- Používejte pouze řezné čepele určené pro tento výrobek.
- Řezačka musí být před použitím pevně přimontována. Při řezání obrobků věnujte zvláštní pozornost stabilitě.
- Při chodu řezacího pásu mějte ruce v dostatečné vzdálenosti.
- Řežte do maximální hloubky 3 mm.
- Použijte ochranu očí, která vyhovuje místním bezpečnostním předpisům.
- Nikdy zaseknuté kousky neodstraňujte, dokud se pás pily nezastaví a výrobek je vypnutý.

Čeština

VAROVÁNÍ

Nikdy neprovádějte následující operace:

- Částečné řezy (tj. žádné řezy, které nevedou po celé délce desky)
- Nikdy neřezejte prohlubně, výklenky nebo formy
- Řezání špatně ohnutého dřeva s nedostatečným kontaktem se vstupní deskou

ZARÁŽKY PROTI ZPĚTNÉMU RÁZU

Viz obrázek 2.

- Zarážky proti zpětnému jsou předměty, které při vhodné instalaci a údržbě, mají za cíl zastavit zpětný ráz řezaného kusu ve směru dopředu k čepeli během provozu.

JAK ZABRÁNIT ZPĚTNÉMU RÁZU

- Vždy používejte správné nastavení hloubky čepele. Před začátkem řezání prohlédněte kus, zda v něm nejsou suky nebo hřebíky. Kladivem vyklepejte jakékoliv volné suky. Nikdy neřezejte volný suk nebo hřebík.
- Vždy používejte čisté, ostré a dobře nastavené čepele.
- Nikdy nepoužijete zařízení s tupými čepelími.
- Pro zabránění sevření čepele dostatečně podložte přístroj před začátkem práce.
- Při plánování aplikujte stabilní, rovnoměrný tlak. Do výrobku nikdy netlačte.
- Neřežte mokré nebo křivé dřevo.
- Opracovávané dřevo vždy držte pevně oběma rukama, své tělo udržujte v rovnováze a buďte připraveni na zpětný ráz. Nikdy nestůjte v linii se dřevem.

ZBYTKOVÁ RIZIKA

Dokonce, i když se výrobek provozuje jak je předepsáno, je stále nemožné zcela eliminovat veškeré zbytkové rizikové faktory. Obsluha by měla věnovat zvláštní pozornost těmto bodům, aby se snížilo riziko vážného poranění.

- Poškození sluchu – Noste vhodnou ochranu sluchu a omezte vystavení.
- Poškození zraku – Používejte ochranné štíty nebo ochranné brýle při používání výrobku.
- Zranění dýchacích cest prachem vzniklým provozováním výrobku – Používejte vhodnou ochranu dle typu prachu.

ELEKTRICKÉ PŘIPOJENÍ

Tento výrobek je poháněn přesně zkonstruovaným elektrickým motorem. Musí být připojen pouze k elektrické síti s napětím 220–240V, AC (běžný proud v zásuvkách domácností), 50 Hz. Neprovazujte tento výrobek na stejnosměrném proudu (DC). Velký pokles napětí způsobí ztrátu výkonu a motor se přehřeje. Pokud výrobek po zapojení do síťové zásuvky nepracuje, zkontrolujte zdroj napájení.

RYCHLOST A ZAPOJENÍ

Rychlost naprázdno nástroje je cca 9000 ot./min. Tato rychlost není konstantní a snižuje se při zátěži či poklesu napětí. Pro napětí je zapojení stejně důležité jako jmenovitý výkon motoru. Vedení určené pro napájení světel nemůže správně napájet motor nástroje. Drát, který je dostatečně těžký pro krátkou vzdálenost, bude lehký pro větší vzdálenost. Vedení, které podporuje jeden elektrický nástroj nemusí podporovat dva nebo tři nástroje.

Pokud je napájecí kabel poškozen, musí být nahrazen pouze výrobcem nebo pověřeným servisním střediskem za účelem odstranění nebezpečí.

Výrobek připojujte pouze k zásuvce o stejné konfi guraci jako je zástrčka. Nepoužívejte s tímto přístrojem adaptér.

Z bezpečnostních důvodů a pro zajištění spolehlivosti nářadí musí být veškeré opravy prováděny v autorizované servisní opravě výrobků RYOBI.

Ochrana proti zbytkovému proudu (RCD) by měla být namontována na obvodech nebo vývodech zařízení. Zásuvky jsou dostupné s vestavěným proudovým chráničem PCH a lze je použít jako opatření bezpečnosti.

Používá-li se zařízení s prodlužovacím kabelem, ujistěte se, že přípojka napájecího kabelu zařízení a prodlužovací kabel se nenachází na zemi. Doplňující zařízení se musí vždy připojovat do elektrické zásuvky a ne k prodlužovacímu kabelu a napájecímu kabelu nástroje.

Není-li k dispozici chráněný vývod, zařízení nepoužívejte do té doby, dokud nebude možné vývod změnit nebo použít dodatečnou ochranu. Tato doplňková ochranná zařízení jsou k dispozici u vašeho místního prodejce.

SEZNAM VOLNÝCH ČÁSTÍ

Položka	Popis	Množ.
2	Rukojeť klikly pro nastavení výšky řezací hlavy	1
7	Základní zámkové šrouby	4
8	Nohy	4
9	Zámkové šrouby regulující výšku	1

Čeština

10	Vytahovací tyččak	1
11	Měřidlo nastavení čepele	1
12	Klíč pro šestihřanné šrouby a matice	2
13	Klíč s otevřeným koncem	1

MONTÁŽ

PŘESUN ZAŘÍZENÍ

Viz obrázek 3.

- Zařízení je možné přenášet pomocí úchytnů na obou stranách rámu. Před přesunem zařízení se ujistěte, že prodlužovací stůl je zavřený.

MONTÁŽ NOHOU

- Na spodní straně zařízení připojte nohy rohům.

ÚCHYT ZAŘÍZENÍ NA DŘEVĚNOU ZÁKLADNU

Viz obrázky 5 až 6.

- Když je řezačka postavena na podstavci, doporučuje se ji uchytit na dva kusy podstavce. Tím se dosáhne maximální stability.
- Podle velikostí zobrazených na obrázku vyberte dva kusy dřeva. Výrobek postavte na dřevěný povrch.
- Použijte čtyři základní uzamykací šrouby (součástí dodávky) k uchycení základny řezačky na dřevo.

ODKLÁDACÍ ZÁSObNÍK

Viz obrázek 7.

- Odkládací zásobník na horní straně řezačky poskytuje pohodlný způsob jak řezat více dřeva za sebou. Horní kousek dřeva umístěný na zařízení je možné snadno zasunout do zařízení.

OBSLUHA

SPÍNAČ ON/OFF (ZAPNUTO/VYPNUTO)

Viz obrázek 8.

- Zařízení zapnete tlačítkem I. Zařízení vypnete tlačítkem O.

VAROVÁNÍ

Před připojením zařízení ke zdroji elektrické energie se vždy přesvědčte, že je přepínač v poloze OFF.

SPÍNAČ PŘETÍŽENÍ OBVODU

Viz obrázek 8.

- Zařízení je vybavené spínačem přetížení pro ochranu před přetížením. Dojde-li k přetížení, spínač vypadne. Pokud k tomu dojde, počkejte několik minut a stiskem spínače přístroj restartujete.

SEŘÍZENÍ HLOUBKY ŘEZU

Viz obrázek 9.

VAROVÁNÍ

Nikdy neřežejte více než 3 mm při jednom průchodu a nikdy se nesnažte řezat desku kratší než 127 mm. Vždy používejte ochranu rukou.

- Chcete-li upravit hloubku řezu, otočte rukojetí kliky pro nastavení výšky řezací hlavy ve směru naznačeném na horní straně desky. Hloubku řezu lze určit z měřidla hloubky řezu. Úprava hloubky probíhá po 1,6 mm na jednu otáčku kliky.
- Práci vždy začínejte tak, že provedete jeden lehký řez. Hloubku dalších řezů je možné prodloužit až na 3 mm, ale pamatujte, že lehčí řez vytváří jemnější povrch než silnější řez.
- Tloušťka dřeva procházejícího řezačkou je řízena pomocí vzdálenosti, na kterou nastavíte řeznou čepel od desky.
 - Neřežte dřevo slabší než 7 mm.
 - Neřežte dřevo silnější než 153 mm.

UPRAVTE MĚŘIDLO HLOUBKY ŘEZU.

Viz obrázek 9.

Pro bezpečný provoz řezače je důležité správně přechist hloubku řezu. Chcete-li upravit hloubku řezu, řiďte se kroky níže:

- Položte dřevo na řeznou desku. Porovnejte změřenou tloušťku desky s hodnotami na měřidle hloubky řezu.
- Pokud je hodnota hloubky řezu ukazuje nesprávná, povolte šroub, který utahuje plastový ukazatel a příslušně jej upravte.
- Až správně upravíte hloubku řezu, otestujte hodnoty tím, že nařezete nějaký odřezek. Potom změřte nařezanou hloubku a porovnejte si hodnotami na měřidle. Tato dvě měření by měla být stejná. Pokud je to nutné, znovu upravte měřidlo hloubky řezu dle skutečné hloubky.

ODSTRANĚNÍ ČEPELÍ ŘEZAČKY

Viz obrázky 10 až 12.

Čeština

Chcete-li odstranit čepel řezačky, řiďte se korky níže:

VAROVÁNÍ

Před odstraněním čepelí vypněte přístroj ze zdroje elektrické energie.

- Odstraněním čtyř šestihranných matek odstraňte prachový žlábek.
- Otočením čtyř uchycovacích šroubů proti směru hodinových ručiček povolte zamykací příčku a čepel. Čepel je pod napjatou pružinou a tak vyskočí po uvolnění instalace.
- Vyměňte čepel a poté uzamykací příčku.

MONTÁŽ / VÝMĚNA ŘEZNÝCH ČEPELÍ

Viz obrázek 12.

Chcete-li namontovat čepel řezačky, řiďte se korky níže:

- Čepel odstraňte dle instrukcí v příručce "ODSTRANĚNÍ ČEPELÍ".
- Z řezné hlavy odstraňte veškeré smetí.
- Uzamykací příčku vložte do zdířky na řezací hlavě.
- Uzamykací příčku vložte do zdířky na řezací hlavě a utáhněte složení čepel uzamykací příčky otočením uťahovacích šroubů proti směru hodinových ručiček. Ujistěte se, že čepel přiléhá správným směrem a je vycentrována ve zdířce.
- Výšky čepel nastavte dle pokynů uvedených v části "NASTAVENÍ VÝŠKY ČEPELÍ". Po každém vyjmutí čepelí z jakéhokoliv důvodu musí být znovu nastavena jejich výška.
- Po montáži čepelí nezapomeňte vyměnit prachový žlábek.

NASTAVENÍ VÝŠKY ČEPELE

Viz obrázky 13 až 14.

- Chcete-li získat průmět čepel 1,1 mm, umístěte měřidlo nastavení čepel na řezací hlavu oběma vodítky pevně umístěnými na čepelí.
- Povolení sedmi upevňovacích šroubů po směru hodinových ručiček za pomoci klíče s otevřeným koncem povolíte montáž.
- Když dojde k přitlačení čepel na požadovanou výšku pomocí vodítek na měřidlo, znovu upevněte složení otočením šroubů proti směru hodinových ručiček. Ujistěte se, že všech sedm upevňovacích šroubů je připevněno pevně.

VAROVÁNÍ

Hrana čepel je velmi náchylná k porušení. Při manipulaci s měřidlem v blízkosti čepelí buďte opatrní, aby nedošlo k jejich poškození.

VAROVÁNÍ

Složel musí být pevně utaženo, aby při řezání nedošlo k úrazu.

PŘIPOJENÍ SYSTÉMU SBÍRAJÍCÍHO PRACH

Viz obrázek 19.

Prach vznikající při práci s nástrojem bývá zdraví škodlivý. Použijte systém absorpce prachu a důkladně odstraňte uložený prach např. pomocí vysavače.

Připojení systému sbírajícího prach:

- Odpojte nástroj.
- Připojte trysku systému sběru prachu do zásuvky nádoby pro prach.

K zabránění akumulace prachu často čistěte hadici systému sběru prachu.

SEŘÍZENÍ

ROVNOBĚŽNOST ŘEZNÉ HLAVY A PRACOVNÍ DESKY

Viz obrázky 15 až 18.

Nařežte jeden kus a změřte šířku řezu. Jsou-li šířky na obou různé, proveďte následující kroky:

Upravte hřídel řezačky a pracovní stůl tak, že budou rovnoběžné. Nástroje použité pro kontrolu jsou zobrazeny na Obrázku 15. K vytvoření bloku měřidla podle velikosti zobrazené na obrázku použijte tvrdé dřevo. Proveďte úpravy dle následujících postupů.

- Odstraňte rukojeť kliky pro úpravu výšky a obě boční a horní krytky pomocí imbusových klíčů a odhalte tak matku uzamykacího šroubu úpravy výšky.
- Povolte matku uzamykacího šroubu.
- Upravte uzamykací šroub upravující výšku směrem vzhůru nebo dolů podle vašeho bloku měřidla.
- Když dosáhnete požadovaného nastavení výšky, utáhněte uzamykací šroub v dané poloze.
- Znovu složte boční a horní kryty a vyměňte rukojeť kliky pro úpravu výšky.

POZNÁMKA: Odstraňte zarážku měřidla přes spuštěním přístroje

Řezání na desky je úprava velikosti materiálu na



Čeština

požadovanou tloušťky při současném vytvoření hladkého povrchu vzhledem k opačné straně desky.

Umění řezání na desky se skládá především z dobrého úsudku ohledně hloubce řezu v různých situacích. Musíte vzít v úvahu:

1. Tloušťku dřeva
2. Tvrdost dřeva
3. Tlumení dřeva
4. Rovnost desky
5. Směr zrna
6. Strukturu zrna

Jak tyto faktory dokážou ovlivnit kvalitu práce se lze naučit pomocí zkušenosti. Vždy když budete pracovat s novým typem dřeva nebo se dřevem s neobvyklými problémy, vždy proveďte testovací řezy na nějaké odřezu než budete pracovat na skutečném kusu.

DALŠÍ ŘEZÁNÍ

Je-li k dosažení požadované konečné tloušťky další řezání, ručně posuňte řezací hlavu maximálně o 3 mm (kdykoliv) a proveďte další průchod.

VAROVÁNÍ

Nikdy neřezejte více než 3 mm při jednom průchodu a nikdy se nesnažte řezat desku kratší než 127 mm. Vždy používejte ochranu rukou.

ÚDRŽBA

VAROVÁNÍ

Vždy zajistěte, aby byla zástrčka stroje odpojena od zdroje napájení před provedením úprav, mazání nebo při provádění údržby na výrobku.

OPĚTOVNÉ OSTŘENÍ ČEPELE

Je-li nutné opětovně naostření čepele, je dovolenou ostřit pouze oblast seřiznutou do klínu.

MAZÁNÍ

- Doporučené mazání pro řetězy používané ve středních a malých provozech je prostě utřít řetěz do čista. Když se na řetězu nachází nadměrný nános prachu nebo dřeva atd, potřete řetěz tenkou vrstvou oleje, ale nikdy olej nelejte přímo na řetěz. Nadměrné mazání urychluje usazování prachu a dřevních pilin a ty se potom dostávají do řetězu a vedou k nadměrnému opotřebení a potřebě předčasně vyměnit řetěz. To platí jak pro řetězy pro snížení rychlosti a úpravy výšky, ale také šrouby vymezující výšku.

- Ložiska na řezací hlavě jsou promazána a zapouzdřena z výroby. Nevyžadují žádnou další péči.

PRÁVIDELNÁ ÚDRŽBA

- Nánosy prachu a smetí mohou způsobovat, že váš přístroj nebude řezat přesně. Pr přesné řезы je pravidelná údržba nutná a je vysoce doporučena.
- Těsně přiléhající části, jak jsou uzamykací příčky a zdířky pro řeznou hlavu, musí být čištěny pomocí kartáčku a musí z nich být odstraněna další hmota. Poté vyměňte všechny části na svých míste a lehce je promazete olejem.
- Pomocí nehořlavého rozpouštědla odstraňte pryskyřice a další nánosy od pojezdů a desky.

PŘEPRAVA A SKLADOVÁNÍ

Při transportu přístroje jej odpojte od zdroje napájení a sundejte jej z podstavce. Zařízení přenášejte pomocí úchyty na obou stranách rámu. Skladujte výrobek na bezpečném místě, které není přístupné dětem.

Vyčistěte výrobek před uskladněním pomocí štětce a vysavače.

OCHRANA ŽIVOTNÍHO PROSTŘEDÍ



V rámci možností neodhazujte vysloužilé nářadí do domovního odpadu a upřednostněte jeho recyklaci. V souladu s předpisy na ochranu životního prostředí odkládejte vysloužilé nářadí, příslušenství i obalový materiál do tříděného odpadu.

SYMBOL



Bezpečnostní výstraha



Shoda CE



Před použitím přístroje si prosím řádně přečtěte tyto pokyny.



Třída II, dvojitě izolováno



Noste ochranu sluchu



Čeština



Vždy noste ochranu očí.



Směr otáčení nože



Maximální hoblovací hloubka na průchod



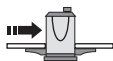
Minimální hoblovací délka



Maximální hoblovací šířka



Hoblovací výška



Vkládací rychlost



Délka čepele



Snižte pás



Zvedněte pás



Odpad elektrických výrobků se nesmí likvidovat v domovním odpadu. Recyklujte prosím na sběrných místech. Ptejte se u místních úřadů nebo prodejce na postup při recyklaci.

Čeština

ŘEŠENÍ PROBLÉMŮ

Problém	Možná příčina	Řešení
Zrno je roztržštěné.	<ol style="list-style-type: none"> 1. Řezání dřeva s vysokým obsahem vlhkosti. 2. Čepele jsou tupé. 	<ol style="list-style-type: none"> 1. Vysušte dřevo. 2. Naostřete čepel.
Vláčna jsou potrhána.	<ol style="list-style-type: none"> 1. Řez je příliš velký. 2. Čepele řezou proti vláknům. 3. Čepele jsou tupé. 	<ol style="list-style-type: none"> 1. kontrolujte vhodnou hloubku řezu. 2. Zpracovávaný kus naplňte zrnem, nebo jej otočte opačně. 3. Naostřete čepel.
Zrno je drsné / zvýšené.	<ol style="list-style-type: none"> 1. Čepele jsou tupé. 2. Řez je příliš velký. 3. Obsah vlhkosti je příliš vysoký. 4. Ložiska řezací hlavy jsou poškozená. 	<ol style="list-style-type: none"> 1. Naostřete čepel. 2. kontrolujte vhodnou hloubku řezu. 3. Vysušte dřevo. 4. Vyměňte ložiska.
Nestejná hloubka řezu ze strany na stranu.	<ol style="list-style-type: none"> 1. Púdorys čepel není jednotný. 2. Řezací hlava není v rovině s pracovní deskou. 	<ol style="list-style-type: none"> 1. Upravte púdorys hlavy. 2. Vyrovnajte řezací hlavu s deskou.
Tloušťka desky neodpovídá měřidlu hloubky řezu.	<ol style="list-style-type: none"> 1. Hloubka řezu není správná. 	<ol style="list-style-type: none"> 1. Upravte měřidlo hloubky řezu.
Řetěz skáče.	<ol style="list-style-type: none"> 1. Zuby nejsou vyrovnány. 2. Zuby jsou opotřebené. 	<ol style="list-style-type: none"> 1. Vyrovnajte zuby. 2. Vyměňte ozubené kolo.
Zařízení se nespustí / nerestartuje.	<ol style="list-style-type: none"> 1. Zařízení není zapojeno. 2. Porucha motoru. 3. Uvolněný drát. 4. Reset přetížení selhal. 5. Selhání startéru motoru. 	<ol style="list-style-type: none"> 1. Zkontrolujte zdroj napájení. 2. Zkontrolujte motor. 3. Nechte motor prověřit autorizovaným agentem. 4. Nechte přístroj vychladnout a restartujte jej. 5. Nechte startér prověřit autorizovaným agentem.
Opakované přerušení obvodu, kvůli kterému se motor zastavuje.	<ol style="list-style-type: none"> 1. Prodlužovací kabel je příliš dlouhý nebo příliš tenký. 2. Čepele jsou příliš tupé. 3. Nízké napětí. 	<ol style="list-style-type: none"> 1. Použijte kratší nebo silnější kabel. 2. Naostřete nebo vyměňte čepel. 3. Zkontrolujte napětí.
Doplňte zásobu dřeva.	<ol style="list-style-type: none"> 1. Pracovní deska je špinavá. 2. Pojezd je poškozený. 3. Ozubené kolo je poškozené 4. Chyba převodovky. 	<ol style="list-style-type: none"> 1. Vyčistěte nánosy a zbytky, promazejte pracovní desku. 2. Vyměňte pojezd. 3. Vyměňte ozubené kolo. 4. Zkontrolujte převodovku.
Pracovní kus se zasekl.	<ol style="list-style-type: none"> 1. Nevhodně nastavená výška čepel. 	<ol style="list-style-type: none"> 1. Nastavte čepel na vhodnou výšku.



Magyar

LEÍRÁS

1. Felső védőlemez
2. Vágófej-magasságállító kar
3. Fogásmélység-skála
4. Főkapcsoló
5. Túlterhelés-kapcsoló
6. Asztaltaló
7. Talprögzítő csavarok
8. Lábak
9. Magasságállító gomb rögzítőcsavarja
10. Nyomópálcá
11. Késbeállító távtartó
12. Imbuszkulcs
13. Nyitott csavarkulcs
14. Műanyag mutató
15. Porcsúszda
16. Hatszögnyílású zárócsavarok
17. Nyomócsavarok
18. Késbeállító távtartó
19. Zárórúd
20. Zárócsavarok
21. Fűrészlemez
22. Rugó
23. Imbuszcsavarok
24. Magasságállító anya

A vastagoló gyalugép tervezése során elsődleges szempont volt a biztonság, a teljesítmény és a megbízhatóság.

RENDELTESSZERŰ HASZNÁLAT

A gyalugép rendeltetése faanyag gyalulása.

A termékét kizárólag a rendeltetésének megfelelően használja.

ÁLTALÁNOS BIZTONSÁGI FIGYELMEZTETÉSEK

FIGYELEM

Elektromos szerszámgépek használatakor a tűz, elektromos áramütés és a személyi sérülés veszélyének csökkentése érdekében az alapvető biztonsági óvintézkedéseket mindig be kell tartani. Mielőtt a termék használatával próbálkozik, olvassa el az összes utasítást, és őrizze meg a későbbi használatra.

- **Tartsa tisztán a munkaterületet.** A rendetlen munkafelület balesetveszélyes.
- **Vizsgálja át a munkaterületet.** Ne tegye ki a gépeket esőnek. Nedves vagy vizes területeken ne használja a gépeket. Jól világítsa meg a munkaterületet. Gyúlékony folyadékok vagy gázok jelenlétében ne használja a gépeket.

- **Védekezzen az áramütés ellen.** Kerülje a testi érintkezést földelt felületekkel (pl. csövekkel, radiátorokkal, hűtőkkel).
- **Tartson távol másokat a munkaterülettől.** Ne hagyja, hogy más személyek, különösen gyerekek részt vegyenek a munkában, megérintsék a szerszámot vagy a hosszabbító kábelt, és tartsa távol őket a munkaterülettől.
- **Tegye el a gépet, ha nem használja.** Használaton kívül a szerszámgepeket valamilyen száraz, zárt helyen, gyerekektől elzárva kell tárolni.
- **Ne erőltesse a gépet.** A gép jobban teljesít és biztonságosabban dolgozik olyan sebesség használatakor, amilyenre azt tervezték.
- **A megfelelő szerszámot használja.** Ne erőltesse a kisméretű géppel való munkát olyan esetekben, ahol a feladatot egy nagyobb szerszámmal könnyebb elvégezni. Ne használja a rendeltetésének nem megfelelő célra a gépet.
- **Viseljen megfelelő ruházatot.** Ne viseljen laza ruházatot vagy ékszereket, amelyek beakadhatnak a mozgó alkatrészekbe. Kültéri munkához csúszásmentes lábbeli viselete javasolt. Ha hosszú a haja, viseljen hajvédőt.
- **Használjon védőfelszerelést.** Viseljen védőszemüveget. Viseljen arcvédőt vagy pormaszkot, ha a munka során por keletkezik.
- **Csatlakoztassa a porkivezető berendezést.** Ha a gép el van látva porkivezető vagy gyűjtő berendezésekhez való csatlakozási lehetőséggel, akkor ügyeljen arra, hogy ezeket csatlakoztassák és megfelelően használják.
- **Ne rongálja meg a kábelt.** Ne rántsa meg a kábelt a hálózathoz való lecsatlakoztatáskor. Hőtől, olajtól és éles szélektől tartsa távol a kábelt.
- **Rögzítse a munkadarabot.** Ahol lehetséges, használjon szorítókat vagy satut a munkadarab rögzítésére. Biztonságosabb, mintha a kezét használná.
- **Ne hajoljon ki túlságosan.** Mindig tartson megfelelő testtartást és egyensúlyt.
- **A szerszámok karbantartását kellő alaposítással végezze.** A vágószerszámokat tartsa élesen és tisztán, hogy teljesítményük jobb és biztonságosabb legyen. Tartozékcseréje és kenés esetén kövesse az útmutatóban leírtakat. Rendszeresen ellenőrizze a gép kábeleit, és sérülés esetén egy hivatalos szervizközpontban javíttassa meg. Rendszeresen ellenőrizze a hosszabbító kábelt, és cserélje ki, ha sérült. A fogantyúkat tartsa szárazon, tisztán, olajtól és kenőzsírtól mentesen.





Magyar

- **Csatlakoztassa le a gépeket a hálózatból.** Használaton kívül, szervizelés előtt, valamint a tartozékok, például kések, bitek és vágók cseréjekor csatlakoztassa le a gépet az elektromos hálózatról.
 - **Távolítsa el a beállító kulcsokat és csavarkulcsokat.** Bekapcsolás előtt szokásszerűen ellenőrizze, hogy a csavarkulcsokat és a beállító kulcsokat eltávolította a gépről.
 - **Kerülje el a véletlen bekapcsolást.** A hálózathoz való csatlakoztatáskor ellenőrizze, hogy a kapcsoló "ki" állásban van.
 - **Kültéri használatra való kábeleket használjon.** A szerszám kültéri használata során csak kültéri használatra is alkalmas és így is jelölt hosszabbító kábeleket használjon.
 - **Legyen mindig éber.** Figyeljen arra, amit csinál, használja az összes érzékszervét, és ne használja a szerszámgépet, ha fáradt.
 - **Ellenőrizze a sérült alkatrészeket.** A készüléket a további használata előtt ellenőrizni kell, hogy képes megfelelően működni és ellátni a funkcióját. Ellenőrizze a mozgó alkatrészek elrendezését, összekapcsolódását, az alkatrészek törését, rögzítését és minden más körülményt, ami hatással lehet a működésre. Ha egy védőlemez vagy más alkatrész megsérült, azt egy hivatalos szervizközpontban kell megjavíttatni vagy kicseréltetni, hacsak a kezelői útmutató másként nem rendel. A hibás kapcsolókat egy hivatalos szervizközpontban ki kell cseréltetni. Ne használja a gépet, ha a kapcsoló nem kapcsolja be vagy ki.
 - **Figyelem.** A használati utasításban nem javasolt tartozékok vagy kiegészítők használata személyi sérülés veszélyét jelentheti.
 - **A gépet képzett szakemberrel kell megjavíttatni.** Ez az elektromos szerszámgép megfelel a vonatkozó biztonsági szabályoknak. A javításokat csak képzett szakember végezheti el eredeti cserealkatrészek használatával, máskülönben ez jelentős veszélyt eredményezhet a felhasználó számára.
- GYALUGÉP BIZTONSÁGI FIGYELMEZTETÉSEI**
- Mindig viseljen védőszemüveget és hallásvédelmet a meghajtó eszköz használata során.
 - A vágóblokk és durva anyagok kezelése közben viseljen kesztyűt az éles peremek okozta sérülések kockázatának csökkentésére.
 - Amennyiben a munkálatok során por termelődik, használjon arc- vagy porvédő álarcot is.
 - A gép beindítása előtt ellenőrizze, hogy az összes rögzítőcsavar feszes-e.
 - Beállítások végzése előtt mindig állítsa le a motort és válassza le a berendezést az elektromos hálózatról.
 - Működtetés előtt győződjön meg arról, hogy minden védőburkolat a helyén van.
 - Működtetés előtt figyelmesen olvassa el a felhasználói kézikönyvet és ismerje meg a berendezést.
 - A munkadarabot ne erőltesse bele a gépbe. A terméket mindig megfelelő előtolási sebességgel használja.
 - Időnként ellenőrizze az adagológörgőket, hogy nem szorult-e az alkatrészek közé fűrészpor vagy forgács. Ha a görgők nem ülnek szilárdan a helyükön, az előtoló görgők nem tartják a faanyagot megfelelő erővel a gépágyon, és az visszarúghat.
 - Faanyag gyalulásakor ellenőrizze, hogy a görgőasztalok egy síkban vannak-e a munkaasztallal, és a görgők hosszú munkadarabok gyalulásakor szabadon forognak-e.
 - A termékkel csak száraz fadeszékákat gyaluljon.
 - Csak szilárd, kilazult csomóktól mentes faanyagot használjon; a faanyagban a lehető legkevesebb kötött csomó legyen.
 - Ne álljon pontosan egy vonalban az adagoló vagy elvételi oldalal. Mindig a gép valamelyik oldalán álljon.
 - Győződjön meg arról, hogy a munkadarabban nincsenek szegek, csavarok, kövek vagy egyéb idegen tárgyak, mert ezek megrongálhatják a késeket.
 - Győződjön meg arról, hogy a késeket helyesen, az utasításoknak megfelelően szerelte fel.
 - A késekkel és a vágófej-egységgel bánjon óvatosan. A kések élesek, könnyen megvágják a kezét.
 - Használat előtt várja meg, hogy a vágófej teljesen felgyorsuljon.
 - Ha a munkadarab már közel van a késekhez, ne kézzel, hanem a nyomópálcával tolja. Ha nem használja a nyomópálcát, tartsa a munkaasztalon.
 - A késeket mindig alaposan élezze meg és megfelelően tartsa karban.
 - Csak a termékhez való késeket használjon.
 - Használat előtt győződjön meg arról, hogy a gyalugép biztosan van felszerelve. Hosszú munkadarabok gyalulásakor nagyon figyeljen a stabilitásra.
 - Tartsa távol a kezét a mozgó késtől.
 - Ne készítsen mélyebb vágásokat, mint 3 mm (1/8").
 - Viseljen a helyi biztonsági normákat teljesítő szemvédő eszközt.
 - Ne vegye ki az elakadt darabot a kés leállása és a főkapcsoló kikapcsolása előtt.





Magyar

FIGYELEM

Semmiképpen se tegye a következőket:

- Munka félbeszakítása (vagyis olyan vágások, melyek nem haladnak végig a munkadarab teljes hosszán)
- Mélyedések, kötések vagy penész gyalulása
- Erősen hajlott, az adagolóasztallal nem megfelelően érintkező faanyag gyalulása

VISSZARÚGÁST MEGAKADÁLYOZÓ PECKEK

Lásd 2. ábrá.

- A visszarúgást megakadályozó pecek olyan eszköz, mely helyesen felszerelve és karbantartva megakadályozza, hogy a munkadarab működés közben a kés első felszíne felé visszarúgjon.

A VISSZARÚGÁS MEGAKADÁLYOZÁSA

- Mindig megfelelő késmélység-beállítást használjon.
Vágás előtt vizsgálja meg, hogy nincsenek-e a munkadarabban csomók vagy szögek. A laza csomókat kalapáccsal üsse ki. Ne vágjon bele laza csomóba vagy szögbe.
- Tiszta, éles, megfelelően beállított késeket használjon.
- A terméket ne használja életlen késsel.
- A kés beszorulásának elkerülésére a munka megkezdése előtt megfelelően támassza alá a munkadarabot.
- Gyalulás közben stabil, egyeneses nyomást alkalmazzon. Ne erőltesse a terméket.
- Ne gyaluljon nedves vagy megvetemedett faanyagot.
- A munkadarabot két kézzel, erősen tartsa. Vegyen fel kiegyensúlyozott testhelyzetet, hogy szükség esetén a visszarúgásnak ellen tudjon tartani. Ne álljon pontosan egy vonalban a faanyaggal.

VISSZAMARADÓ KOCKÁZATOK

Még a termék rendeltetészerű használata esetén sem lehet teljesen kiküszöbölni minden kockázati tényezőt. A kezelőnek különös figyelmet kell fordítania ezekre a pontokra, hogy csökkentsen a súlyos személyi sérülés kockázatát.

- Halláskárosodás – Viseljen megfelelő hallásvédőt, és korlátozza a zajnak való kitettséget.
- Látáskárosodás – Viseljen védőszemüveget vagy szemvédőt a termék használatakor.
- Légzőszervek károsodása a termék működése közben keletkező portól – Viseljen a por típusának

megfelelő védőeszközt.

ELEKTROMOS CSATLAKOZÁS

A terméket precíziós elektromos motor működteti. Csak 220–240 V 50 Hz-es váltakozó áramú (AC) elektromos hálózathoz (normál háztartási áram) csatlakoztatható. Ne működtesse a terméket egyenáramról (DC). Egy nagyobb feszültségingadozás teljesítményvesztést és a motor túlmelegedését okozza. Ha a termék nem működik a hálózatba való csatlakoztatás után, ellenőrizze újra a hálózati feszültséget.

SEBESSÉG ÉS Vezetékezés

A szerszám üresjáratú fordulatszáma körülbelül 9000 ford./perc. Ez a fordulatszám nem állandó, terhelés alatt vagy kisebb feszültségek esetén csökken. Feszültség szempontjából a műhelyben levő vezetékek legalább annyira fontosak, mint a motor teljesítmény-besorolása. Egy fényforrásokhoz való vezeték nem képes megfelelően meghajtani egy szerszám gép motorját. A rövid távolságra elég erős vezeték nagy távolságokon túl gyenge is lehet. Az a vezeték, ami elbír egy szerszám gépet, nem biztos, hogy elbír két vagy három szerszám gépet.

Ha a tápkábel sérült, azt a veszélyek elkerülése érdekében csak a gyártó vagy annak hivatalos szervizközpontja cserélheti ki.

Csak a dugaszhoz illeszkedő kialakítású aljzathoz csatlakoztassa a terméket. Ne használjon adaptert a termékkel.

A nagyobb biztonság és megbízhatóság érdekében minden javítást hivatalos RYOBI szervizközpontban kell elvégeztetni.

A termék üzemeltetéséhez használt konnektor(ok)on legyen érintésvédelmi relé (FI-relé). Az aljzatnak beépített RCD-védelemmel kell rendelkeznie, és az ilyen biztonsági funkcióra alkalmasnak kell lennie.

Ha a terméket hosszabbítóval használja, ügyeljen arra, hogy a berendezés és a hosszabbító csatlakozása ne legyen a földön. A kiegészítő berendezéseket mindig a fali aljzathoz kell csatlakoztatni, nem pedig a hosszabbító kábel végére, ahová a szerszám gép tápkábele is csatlakozik.

Ha nem áll rendelkezésre védelemmel ellátott konnektor, ne használja a berendezést, kivéve, ha kiegészítő védelmet helyez üzembe. Ezek a külső védelmi eszközök a helyi forgalmazónál szerezhetők be.

MOZGATHATÓ ALKATRÉSZEK LISTÁJA

Alkatrész	Leírás	Menny.
-----------	--------	--------



Magyar

2	Vágófej-magasságállító kar	1
7	Talprögzítő csavarok	4
8	Lábak	4
9	Magasságállító gomb rögzítőcsavarja	1
10	Nyomópálca	1
11	Késbeállító távtartó	1
12	Imbuszkulcs	2
13	Nyitott csavarkulcs	1

ÖSSZESZERELÉS

A GYALUGÉP MOZGATÁSA

Lásd 3. ábrát.

- A berendezést a ház két oldalán levő fogantyúkkal lehet mozgatni. A termék mozgatása előtt győződjön meg arról, hogy az asztaltoldók csukva vannak.

A LÁBAK FELSZERELÉSE

- A lábakat a termék alsó sarkaira erősítse fel.

A GYALUGÉP FATALPRA SZERELÉSE

Lásd a 5-6. ábrákat.

- Ha a gyalugépet nem állványra szereli, rögzítse két gerendára. Így a lehető legstabilabban fog állni.
- Két az ábrán feltüntetett méretű faanyagot használjon. A terméket szerelje a faanyag felszínére.
- A gyalugépet a négy talprögzítő csavarral (tartozék) rögzítse a faanyagra.

RAKTÁRKÉSZLET-TARTÓ

Lásd 7. ábrát.

- A gyalugép tetején levő raktárkészlet-tartón kényelmesen tárolható az egymást követő vágási műveletekhez a faanyag. A kezelő a gép tetején tárolt faanyagot könnyen lehúzhatja, amikor gyalulni kezdi.

HASZNÁLAT

BE/KI KAPCSOLÓ

Lásd 8. ábrát.

- A terméket az I gombot megnyomva kapcsolhatja be. A kikapcsolást az O gombbal végezheti el.

▲ FIGYELEM

Ügyeljen arra, hogy a gyalugép áramforrásra csatlakoztatása közben a kapcsoló KI helyzetben legyen.

ÁRAMKÖRI TÚLTERHELÉS-KAPCSOLÓ

Lásd 8. ábrát.

- A gépben a túláram elleni védelemre túláramkapcsoló van. Ha a berendezést túláram éri, a kapcsoló kikapcsol. Ilyen esetben várjon néhány percet, majd a kapcsoló megnyomásával állítsa alaphelyzetbe a gépet.

A VÁGÁSI MÉLYSÉG BEÁLLÍTÁSA

Lásd 9. ábrát.

▲ FIGYELEM

Egy menetben ne gyaluljon le 3 mm-nél többet, és ne gyaluljon 127 mm-nél (5 col) rövidebb deszkát. Viseljen arcvédőt.

- A fogásmélység beállításához a vágófej magasságállító karját forgassa a gyalugép tetején jelzett irányokba. A fogásmélységet a fogásmélység-skálán tudja leolvasni. A beállítást a kar egy fordulata 1,6 mm-rel módosítja.
- A munkát mindig kis fogásmélységgel kezdje. A további menetekben legfeljebb 3 mm-t foghat, de ne feledje, hogy kisebb fogással finomabb felszínt kap, mint nagyobb fogással.
- A gyalugépen áthaladó gerenda vastagságát a kés asztaltól való távolságával szabályozhatja.
 - Ne gyaluljon 7 mm-nél vékonyabb faanyagot.
 - Ne gyaluljon 153 mm-nél (6 col) vastagabb faanyagot.

ÁLLÍTSA BE A FOGÁSMÉLYSÉG-SKÁLÁT.

Lásd 9. ábrát.

A gyalugép biztonságos üzemeltetéséhez rendkívül fontos, hogy a fogásmélység-skála pontos értéket mutasson. A fogásmélység-skálát a következő lépésekkel állíthatja be:

- Adagoljon a gépbe egy deszkát. Hasonlítsa össze a deszka mért vastagságát a fogásmélység-skálán látható értékkel.
- Ha a mélységskála pontatlan értéket mutat, lazítsa meg a műanyag mutatót rögzítő csavart, és állítsa be megfelelően.



Magyar

- A fogásmélység-skála megfelelő beállítása után egy hulladék faanyag legyalulásával ellenőrizze az értéket. Gyalulás után mérje meg a gyalult vastagságot, és még egyszer ellenőrizze, hogy a skála megfelelő értéket mutat-e. A két mérésnek meg kell egyeznie. Szükség esetén a fogásmélység-skálát állítsa be újra.

A GYALUKÉSEK KISZERELÉSE

Lásd a 10-12. ábrákat.

A kések kiszereléséhez az alábbi eljárást kövesse:

▲ FIGYELEM

A kések kiszerelése előtt válassza le a terméket az áramforrásról.

- A rajta levő hatszögnyílású zárócsavarokat kitekerve szerelje le a porcsúszdát.
- A nyomócsavarokat jobbra elforgatva lazítsa ki a zárórudat és a kést. A késeket rugók feszítik, az egységet meglazítva a rugó kinyomja őket.
- Vegye ki a kést, majd a készáró rudat.

A GYALUKÉSEK BESZERELÉSE/CSERÉJE

Lásd 12. ábrá.

A kések beszereléséhez az alábbi eljárást kövesse:

- A „GYALUKÉSEK KISZERELÉSE” című részben írtak szerint szerelje ki a késeket.
- Tisztítsa le a gyalugép vágófejről a törmeléket.
- Illessze a készáró rudat a vágófejen levő horonyba.
- Illessze a kést a vágófejen levő horonyba, majd a nyomócsavarokat balra forgatva szorítsa meg a zárórúd-egységet. Győződjön meg arról, hogy a kés a megfelelő irányban áll, és a horony közepén helyezkedik el.
- A „KÉS MAGASSÁGÁNAK BEÁLLÍTÁSA” című részben írtak szerint állítsa be a kés magasságát. Ha bármilyen okból kiveszi a késeket, a késmagasságot újra állítsa be.
- A kések felszerelése után ne felejtse el visszaszerelni a porcsúszdát.

A KÉS MAGASSÁGÁNAK BEÁLLÍTÁSA

Lásd a 13-14. ábrákat.

- Tegye a késbeállító távtartót a vágófejre úgy, hogy mind a két illesztőfelület szilárdan támaszkodjon a késen, hogy a kés 1,1 mm-rel nyúljon ki.
- A hét nyomócsavart nyitott csavarkulccsal jobbra elforgatva lazítsa meg az egységet.
- Ha a kést a távtartó illesztőfelületei a megfelelő magasságba nyomták, a nyomócsavarokat balra

elforgatva újra szorítsa meg az egységet. Ellenőrizze, hogy mind a hét nyomócsavar szorosan meg van-e húzva.

▲ FIGYELEM

A kés éle igen könnyen kicsorbul. A távtartóval a kések közelében bánjon óvatosan, nehogy megsérüljenek.

▲ FIGYELEM

Az egységet erősen szorítsa meg, nehogy gyalulás közben baleset történjen.

PORGYŰJTŐ RENDSZER CSATLAKOZTATÁSA

Lásd 19. ábrá.

A munkavégzéskor keletkező por ártalmas lehet. Használjon porleválasztó rendszert, és a lerakódott port alaposan tisztítsa le, például egy porszívóval.

Porgyűjtő rendszer csatlakoztatása:

- Húzza ki a gépet az elektromos hálózathoz.
- Csatlakoztassa a porszívó csövét a porelszívó csomokhoz.

A porgyűjtő rendszer tömlőjét gyakran tisztítsa, hogy ne gyűljön össze a por.

BEÁLLÍTÁS

A VÁGÓFEJ ÉS A MUNKAASZTAL PÁRHUZAMOSÍTÁSA

Lásd a 15-18. ábrákat.

Gyaluljon meg egy munkadarabot, majd mérje meg a vastagságát. Ha a munkadarab két oldalán eltérő a vastagság, végezze el a következő műveletet:

Állítsa be a kés szárát és a munkaasztalt párhuzamosra. Az ellenőrzéshez használt szerszámokat a 15. ábrán láthatja. Keményfából készítsen az ábrán feltüntetett méretű szerszámmérő hasábot. A beállítást a következő eljárással végezheti el.

- Vegye le a magasságállító kart, valamint az imbuzócsavarokat kitekerve a felső és oldalsó burkolatot, hogy hozzáférhessen a magasságállító anyákhoz.
- Lazítsa meg a beállító záróanyákat.
- A magasságállító záróanyák fel- vagy lefelé állítva a mérőhasábnak megfelelően állítsa be a magasságot.
- Ha elérte a kívánt magasságbeállítást, húzza meg a záróanyákat.
- Szerelje vissza a felső és oldalsó burkolatot és tegye





Magyar

vissza a magasságállító kart.

MEGJEGYZÉS: A gép működtetése előtt vegye ki a mérőhasábot.

A vastagoló gyalulással az anyagot a kívánt vastagságúra méretezheti, miközben a deszka másik oldalával párhuzamos, sima felszínt kap.

A vastagoló gyalulás során a siker nagyrészt azon múlik, különböző helyzetekben megfelelően méri-e fel a fogásmélységet. Figyelembe kell venni:

1. A faanyag vastagságát
2. A faanyag keménységét
3. A faanyag nedvességtartalmát
4. A deszka egyenességét
5. A szálak irányát
6. A szálak szerkezetét

Azt, hogy ezek a tényezők hogyan befolyásolják a munka minőségét, csak kellő tapasztalattal lehet megmondani. Ha újfajta faanyaggal dolgozik vagy szokatlan problémával találkozhat, végezzen próbagyalulást hulladék faanyaggal, mielőtt a tényleges munkadarabbal kezdené dolgozni.

HA TOVÁBBI GYALULÁSRA VAN SZÜKSÉG

Ha a kívánt vastagság eléréséhez további gyalulásra van szükség, a vágófejet (egy adott fogásnál) legfeljebb 3 mm-rel állítsa át az állítókarral, majd gyalulja le még egyszer a faanyagot.

FIGYELEM

Egy menetben ne gyaluljon le 3 mm-nél többet, és ne gyaluljon 127 mm-nél (5 col) rövidebb deszkát. Viseljen arcvédőt.

KARBANTARTÁS

FIGYELEM

A terméken végrehajtott beállítások, kenés vagy karbantartás előtt mindig ellenőrizze, hogy a dugasz ki lett húzva a hálózathoz.

A KÉS ÉLEZÉSE

Ha a kést élezni kell, csak a feszített részt szabad élezni.

KENÉS

- A közepes vagy kis igénybevételnek kitett görgőlánccokat lehetőleg úgy kenje, hogy egyszerűen tisztára töröli őket. Ha nagy mennyiségű por, forgács stb. halmozódik fel, vonja be vékony olajfilmmel a láncot, de soha ne öntsön közvetlenül a láncra olajat. A túlzott olajozás következtében a por és forgács

gyorsabban gyűlik össze, illetve a por és forgács bejut a láncszemekbe, ami fokozott kopáshoz és idő előtti cseréhez vezet. Ez a sebességkorlátozó és magasságbeállító láncokra, valamint az emelőcsavarokra is vonatkozik.

- A vágófej csapágyait a gyárban megkenjük és tömítjük. Ezek nem igényelnek karbantartást.

RENDSZERES KARBANTARTÁS

- Ha a gépben fűrészpor és egyéb törmelék halmozódik fel, a gyalulás pontatlan lehet. A pontos gyaluláshoz mindenképpen rendszeresen tisztítsa meg a gépet.
- A szorosan illeszkedő alkatrészeket, például a zárórudakat és a gyalugép vágófejének hornyait ecsettel tisztítsa meg; távolítsa el a rájuk tapadt idegen anyagokat. Ezután finoman olajozzon be minden alkatrészt és tegye vissza őket a helyükre.
- Az adagológörgőkről és az asztalról a gyantát és egyéb lerakódott anyagokat nem gyűlékony oldószerrel tisztítsa le.

SZÁLLÍTÁS ÉS TÁROLÁS

A termék áthelyezésekor válassza le a tápkábelt és szerelje le a terméket. A berendezést a ház két oldalán lévő fogantyúkkal mozgassa. Gyerekektől elzárt helyen tárolja a terméket.

Tárolás előtt egy kefével vagy porszívóval tisztítsa meg a terméket.

KÖRNYEZETVÉDELEM



Segítse elő az alpanyagok újrahasznosítását azzal, hogy nem helyezi el őket a háztartási szemétként. Környezetvédelmi megfontolásból az elhasznált gépet és tartozékokat, valamint a csomagolóanyagokat szelektív módon kell gyűjteni.

SZIMBÓLUM



Biztonsági figyelmeztetés



CE megfelelés



Kérjük, olvassa át gondosan ezt az útmutatót a termék beindítása előtt.



Magyar



II. osztály, kettős szigetelés



Víseljen fülvédőt



Mindig viseljen védőszemüveget.



Kés forgásiránya



Egy áthaladás legnagyobb gyalulási mélysége



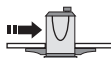
Legkisebb gyalulási hossz



Legnagyobb gyalulási szélesség



Gyalulási magasság



Adagolási sebesség



Fűrészlap hossza



Kés süllyesztése



Kés emelése



A kiselejtezett elektromos termékeket nem szabad a háztartási hulladékkal együtt kidobni. Ezeket újra kell hasznosítani, ha van rá lehetőség. Az újrahazsnosítással kapcsolatban érdeklődjön a helyi önkormányzatnál vagy a termék forgalmazójánál.



Magyar

HIBAELHÁRÍTÁS

Probléma	Lehetséges ok	Megoldás
A szálak kirojtosodnak.	<ol style="list-style-type: none"> A gyalult faanyag nedvességtartalma magas. Tompák a kések. 	<ol style="list-style-type: none"> Szárítsa ki a faanyagot. Élezze meg a késeket.
A szálak elszakadnak.	<ol style="list-style-type: none"> Túl nagy fogást használ. A kések szálirány ellen vágna. Tompák a kések. 	<ol style="list-style-type: none"> Nézze meg, hogy megfelelő-e a fogásmélység. A munkadarabot szálirányban adagolja vagy fordítsa meg. Élezze meg a késeket.
A szálak durvák/feljönnek.	<ol style="list-style-type: none"> Tompák a kések. Túl nagy fogást használ. Túl magas a nedvességtartalom. Tönkrementek a vágófej csapágjai. 	<ol style="list-style-type: none"> Élezze meg a késeket. Nézze meg, hogy megfelelő-e a fogásmélység. Szárítsa ki a faanyagot. Cserélje le a csapágakat.
A fogásmélység nem egyforma a két oldalon.	<ol style="list-style-type: none"> A kés nem egyenletesen áll ki. A vágófejet nem hozta vízszintbe a gyalugép ágyához képest. 	<ol style="list-style-type: none"> Állítsa be a kés kinyúlását. Hozza a vágófejet az asztallal párhuzamos helyzetbe.
A deszka vastagsága nem passzol a fogásmélység-skálához.	<ol style="list-style-type: none"> Helytelen a fogásmélység-skála beállítása. 	<ol style="list-style-type: none"> Állítsa be a fogásmélység-skálát.
Ugrál a lánc.	<ol style="list-style-type: none"> A fogaskoszorúk nincsenek egy vonalban. A fogaskoszorúk elkoptak. 	<ol style="list-style-type: none"> Hozza a fogaskoszorúkat egy vonalba. Cserélje ki a fogaskoszorút.
A szerszám nem indul el/nem indul újra.	<ol style="list-style-type: none"> A szerszám nincs bedugva. Meghibásodott a motor. Laza a vezeték. Nem sikerült a túlterhelés miatti alaphelyzetbe állítás. Meghibásodott a motorindító berendezés. 	<ol style="list-style-type: none"> Ellenőrizze az áramforrást. Ellenőrizze a motort. Vizsgáltassa át a motort hivatalos szerelővel. Várjon, amíg a gép lehűl, majd indítsa újra. Vizsgáltassa át a motor indítóberendezését hivatalos szerelővel.
Az áramkör folyamatosan kiold, ezért a motor nem működik.	<ol style="list-style-type: none"> A hosszabbítókábel túl hosszú vagy túl vékony. A kések tompák. Alacsony feszültség. 	<ol style="list-style-type: none"> Használjon rövidebb vagy vastagabb hosszabbítókábelt. Élezze meg vagy cserélje ki a késeket. Ellenőrizze a feszültséget.
A faanyag elégtelen adagolása.	<ol style="list-style-type: none"> Szennyezett a gyalugép asztala. Megrongálódott az adagológörgő. Megrongálódott a fogaskoszorú. Nem működik a sebességváltó. 	<ol style="list-style-type: none"> Tisztítsa le a gyantát és anyagmaradványokat, majd kenje meg a gyalugép asztalát. Cserélje ki az adagológörgőt. Cserélje ki a fogaskoszorút. Ellenőrizze a sebességváltót.
Beszorult a munkadarab.	<ol style="list-style-type: none"> Nem megfelelő a kés magasság-beállítása. 	<ol style="list-style-type: none"> Állítsa be a kést a megfelelő magasságra.





Română

DESCRIERE

1. Apărătoare superioară
2. Manivelă de ajustare a înălțimii capului de rindeluire
3. Indicator adâncime de rindeluire
4. Întrerupător alimentare.
5. Comutator suprasarcină
6. Extensie masă
7. Șuruburi fixare bază
8. Picioare
9. Șurub de blocare a manivelei de ridicare
10. Împingător
11. Indicator setare lamă
12. Cheie hexagonală
13. Cheie fixă
14. Indicator de plastic
15. Compartiment rumeguș
16. Șuruburi cu cap hexagonal
17. Șuruburi forțare
18. Indicator setare lamă
19. Bară de blocare
20. Șuruburi fixare bază
21. Lamăs
22. Arc
23. Șuruburi cu cap inbus
24. Puliță ajustare înălțime

La conceperea mașinii dvs. de rindeluit s-au avut în vedere în primul rând siguranța, performanța și fiabilitatea în exploatare.

DOMENIU DE APLICAȚII

Mașina de rindeluit este concepută pentru prelucrarea lemnului.

Nu folosiți acest produs în niciun alt scop decât cel pentru care este destinat.

AVERTISMENTE GENERALE PRIVIND SIGURANȚA

AVERTISMENT

Atunci când utilizați unelte electrice, întotdeauna trebuie luate minime măsuri de siguranță pentru a reduce riscul producerii de incendii, șocuri electrice sau leziuni. Citiți toate instrucțiunile înainte de a încerca să operați produsul și păstrați aceste instrucțiuni.

- **Păstrați curățenia la locul de muncă.** Zonele și bancurile de lucru dezordonate favorizează accidentele.
- **Țineți cont de mediul de lucru.** Nu expuneți uneltele la ploaie. Nu utilizați uneltele în locuri umede sau

cu apă. Păstrați spațiul de lucru bine luminat. Nu utilizați uneltele în prezența lichidelor sau a gazelor inflamabile.

- **Protecție împotriva electrocutării.** Evitați contactul corpului cu suprafețele conectate la pământ sau la masă (de ex. conducte, radiatoare, mașini de gătit, frigider).
- **Nu lăsați alte persoane să se apropie.** Nu lăsați persoanele, în special copii, să se implice în lucrare, să atingă unealta sau cablul prelungitor și nu le permiteți să se apropie de zona de lucru.
- **Depozitați uneltele inactive.** Când nu este utilizată, unealta trebuie depozitată într-un loc uscat prevăzut cu încuietoare și nu trebuie lăsată la îndemâna copiilor.
- **Nu forțați unealta.** Acesta va realiza operația mai bine și mai sigur, la viteza pentru care a fost conceput.
- **Utilizați unealta potrivită.** Nu utilizați uneltele cu capacitate mică pentru lucrări destinate uneltelor cu capacitate mare. Nu utilizați uneltele pentru alte scopuri decât cele destinate, de exemplu, nu utilizați ferăstrăul circular pentru a tăia crengi sau trunchiuri de copac.
- **Îmbrăcați-vă corespunzător.** Nu purtați haine prea largi sau bijuterii, acestea pot fi prinse în piesele mobile. Când lucrați afară este recomandată încălțăminte anti-alunecare. Purtați protecție care acoperă părul, pentru a proteja părul lung.
- **Utilizați echipament de protecție.** Utilizați ochelari de protecție. Utilizați o mască de gaze sau o mască antipraf, dacă se creează praf în timpul lucrărilor.
- **Conectați echipamentul de extracție a prafului.** Dacă unealta este prevăzută pentru conectarea echipamentului de extracție și de colectare a prafului, asigurați-vă că acestea sunt conectate și utilizate corect.
- **Nu forțați cablul.** Nu trageți niciodată de cablu pentru a-l deconecta de la priză. Țineți cablul la distanță de căldură, ulei și muchii ascuțite.
- **Securizați lucrarea.** Când este posibil, utilizați dispozitive de fixare sau o menghină pentru a fixa piesa de lucru. Este mai sigur decât să vă utilizați mâinile.
- **Nu vă întindeți excesiv.** În timpul operării dispozitivului, păstrați-vă în permanentă echilibrul și stabilitatea.
- **Întrețineți unealta cu grijă.** Păstrați uneltele de tăiere ascuțite și curate, pentru performanță mai bună și mai sigură. Urmați instrucțiunile pentru lubrifierea și schimbarea accesoriilor. Verificați cablurile uneltei periodic și, dacă sunt deteriorate, acestea trebuie reparate de un centru de service autorizat. Inspectați cordoanele de racord în mod periodic și înlocuiți-le dacă sunt deteriorate. Păstrați mânerul uscate,





Română

curate și fără pete de ulei și vaselină.

- **Deconectați uneltele.** Când nu sunt utilizate, înainte de revizie și când schimbați accesoriile, precum lame, burghie și cuțite, deconectați uneltele de la alimentarea electrică.
- **Îndepărtați cheile de reglare.** Formați-vă obiceiul de a verifica dacă ați scos toate cheile și duile de reglare din unealtă înainte de pornirea acesteia.
- **Evitați pornirea accidentală.** Asigurați-vă că comutatorul este în poziția "off" (oprit) la conectarea la priza electrică.
- **Utilizați cabluri prelungitoare pentru exterior.** Când unealta este utilizată în exterior, utilizați doar cabluri de prelungire destinate pentru exterior și marcate corespunzător.
- **Fiți vigilenți.** Fiți atenți la ceea ce faceți, acționați cu simț practic și nu folosiți unealta atunci când sunteți obosiți.
- **Verificați părțile deteriorate.** Înainte de utilizarea unelei, aceasta trebuie verificată cu atenție, pentru a determina dacă va funcționa corect și dacă își va îndeplini funcția destinată. Verificați alinierea pieselor mobile, lipirea pieselor mobile, spargerea pieselor, montarea și orice alte stări care pot afecta funcționarea acestora. O protecție sau altă piesă care este deteriorată trebuie reparată sau înlocuită în mod corect de un centru de service autorizat, dacă nu se indică altfel în acest manual de instrucțiuni. Comutatoarele defecte trebuie înlocuite de un centru de service autorizat. Nu utilizați unealta, în cazul în care comutatorul nu o poate porni și opri.
- **Avertisment.** Utilizarea oricărui accesoriu sau dispozitiv atașabil, cu excepția celor care sunt recomandate de acest manual de instrucțiuni poate prezenta risc de vătămare corporală.
- **Unealta trebuie reparată de o persoană calificată.** Această unealtă electrică respectă regulile de siguranță relevante. Reparațiile trebuie efectuate doar de persoane calificate, utilizând piese de schimb originale, în caz contrar există pericole considerabile pentru utilizator.

AVERTISMENTE DE SIGURANȚĂ PRIVIND MAȘINA DE RINDELUIT

- Purtați întotdeauna ochelari și căști de protecție atunci când utilizați acest echipament.
- Purtați mănuși atunci când manevrați echipamentul și materialul de prelucrat pentru a evita accidentările.
- Purtați un ecran facial sau o mască antișpraf dacă tăierea generează șpraf.
- Asigurați-vă că toate șuruburile de fixare sunt strânse înainte de a porni mașina.

- Opriti întotdeauna motorul și deconectați-l de la sursa de alimentare înainte de a face reglaje.
- Asigurați-vă că toate apărătoarele sunt în pozițiile corespunzătoare înainte de utilizare.
- Citiți cu atenție manualul utilizatorului și familiarizați-vă cu echipamentul înainte de utilizare.
- Nu forțați piesa de prelucrat în echipament. Permiteți echipamentului să funcționeze la viteza de avans adecvată.
- Verificați rolele de alimentare din când în când pentru a vă asigura că nu există așchii și depuneri de rumeguș între componente. Dacă rolele de susținere nu sunt în stare optimă, rolele de alimentare nu vor putea menține lemnul ferm pe masă și va apărea efectul de recul.
- Asigurați-vă că rolele de susținere sunt coplanare cu masa de lucru și că se pot roti liber atunci când rindeluiți piese lungi.
- Utilizați mașina doar pentru a rindelui lemn uscat.
- Utilizați lemn debitat, fără noduri desprinse și cu cât mai puține noduri, în general.
- Nu stați niciodată direct în fața fantei de admisie sau de evacuare a mașinii. Stați întotdeauna pe lateralul mașinii.
- Asigurați-vă că piesa de prelucrat nu conține cuie, șuruburi, pietre sau alte obiecte străine care ar putea deteriora lamele.
- Asigurați-vă că lamele sunt atașate corect, conform instrucțiunilor.
- Procedați cu atenție atunci când manevrați lamele și capul tăietor. Lamele sunt ascuțite și vă puteți tăia cu ușurință.
- Permiteți capului tăietor să ajungă la turația maximă înainte de a începe utilizarea.
- Utilizați împingătorul (nu mâinile) pentru a împinge piesa de prelucrat în mașină atunci când vă apropiați de final. Împingătorul trebuie lăsat pe masa de lucru atunci când nu este utilizat.
- Utilizați lame bine ascuțite și întreținute.
- Utilizați doar lame special concepute pentru această mașină.
- Asigurați-vă că rindeaua este montată într-o poziție sigură înainte de a o utiliza. Acordați atenție suplimentară stabilității atunci când prelucrați piese lungi.
- Feriți mâinile de lamă în timp ce aceasta se mișcă.
- Nu realizați operații de rindeluire mai adânci de 3 mm (1/8").
- Purtați ochelari de protecție conform standardelor de siguranță locale.





Română

- Nu îndepărtați piesele blocate înainte ca lama să se oprească și înainte ca aparatul să fie deconectat de la rețeaua de alimentare.

A AVERTISMENT

Nu realizați niciodată următoarele operații:

- Prelucrări parțiale (prelucrări care nu au loc pe întreaga lungime a piesei prelucrate)
- Prelucrări ale adânciturilor, nuturilor sau umflăturilor
- Rindeluirea lemnului excesiv curbat va determina contactul inadecvat cu masa de alimentare

CLICHET ANTI-RECU

A se vedea figura 2.

- Clichetul anti- recul este un dispozitiv care, în cazul în care este instalat și întreținut corect, împiedică împingerea înapoi a piesei de prelucrat în timpul funcționării.

EVITAREA RECOLULUI

- Utilizați întotdeauna setarea corectă pentru adâncimea de prelucrare.
Inspectați piesa de prelucrat, astfel încât să nu conțină noduri sau cuie înainte de începe prelucrarea. Îndepărtați orice noduri desprinse cu ajutorul unui ciocan. Nu rindeluiți niciodată peste un nod desprins sau peste un cui.
- Utilizați întotdeauna lame curate, ascuțite și corect montate.
- Nu utilizați niciodată produsul cu lame tocite.
- Pentru a evita știrbirea lamei, susțineți în mod optim piesa de prelucrat înainte de a începe prelucrarea.
- În timpul rindeluirii aplicați presiune constantă și egală. Nu forțați niciodată mașina.
- Nu rindeluiți lemn ud sau curbat.
- Țineți întotdeauna piesa de prelucrat ferm, cu ambele mâini, menținând corpul într-o poziție echilibrată, pentru a putea rezista reculului. Nu stați niciodată în linie cu piesa de prelucrat.

RISCURI REZIDUALE

Chiar dacă produsul este folosit așa cum este descris, este totuși imposibil să se elimine complet anumiți factori de risc reziduali. Operatorul trebuie să acorde o atenție specială și suplimentară la aceste puncte pentru a reduce riscul de vătămare personală gravă.

- Vătămare a auzului. – Purtați protecție pentru uz corespunzătoare și limitați expunerea.

- Vătămare a ochilor – Purtați ochelari de protecție cu apărătoare laterală atunci când folosiți acest produs.
- Vătămare a respirației datorată prafului creat prin operarea produsului. – Purtați protecție corespunzătoare în funcție de tipul prafului.

CONEXIUNEA ELECTRICĂ

Acest produs are încorporat un motor electric de precizie. Trebuie conectat doar la o sursă de alimentare de 220~240V, c.a. (curentul menajer obișnuit), 50 Hz. Nu utilizați acest produs la curent continuu (c.c.). O cădere substanțială de tensiune va conduce la o pierdere de putere, iar motorul se va supraîncălzi. Dacă aparatul nu funcționează când este conectat la priză, verificați încă o dată sursa de alimentare.

VITEZĂ ȘI CABLAJ

Viteza la funcționare în gol a unelei este de aproximativ 9000 rpm. Această viteză nu este constantă și se micșorează în prezența unei sarcini sau a unei tensiuni mai reduse. Pentru tensiune, cablajul într-un atelier este la fel de important ca puterea nominală a motorului. O linie destinată exclusiv iluminatului nu poate suporta în mod corespunzător motorul unei scule electrice. Firului care este suficient de rezistent pentru o distanță scurtă îi va lipsi rezistența pentru o distanță mai lungă. Este posibil ca o linie ce suportă o sculă electrică să nu suporte două sau trei scule.

Dacă cordonul de alimentare electrică este deteriorat, acesta trebuie înlocuit de către producător sau de către un centru de service autorizat pentru a evita riscurile.

Conectați produsul numai la o priză care prezintă aceeași confi gurare cu a fi șei. Nu utilizați un adaptor împreună cu acest produs.

Pentru o siguranță și fiabilitate sporită, toate reparațiile trebuie să fie efectuate la un centru service RYOBI autorizat.

Protejați mașina cu ajutorul unui dispozitiv de protecție împotriva curentului rezidual (RCD), montat pe circuitul sau priza de alimentare a produsului. Prizele sunt disponibile având o protecție RCD încorporată și pot fi utilizate pentru această măsură de siguranță.

Dacă utilizați produsul cu un prelungitor, legătura dintre cablul de alimentare al produsului și prelungitor nu trebuie să se afle pe pământ. Dispozitivele auxiliare trebuie să fie întotdeauna conectate la priza de perete și nu la conexiunea unui cablu de racord și la cablul de alimentare a unelei electrice.

Dacă nu aveți la dispoziție o priză protejată, nu utilizați produsul înainte de a găsi o priză protejată sau mijloace de protecție auxiliare. Aceste dispozitive auxiliare de protecție sunt disponibile la distribuitorul dumneavoastră



Română

local.

LISTA PIESELOR NEFIXATE

Articol	Descriere	Cant
2	Manivelă de ajustare a înălțimii capului de rindeluire	1
7	Șuruburi fixare bază	4
8	Picioare	4
9	Șurub de blocare a manivelei de ridicare	1
10	Împingător	1
11	Indicator setare lamă	1
12	Cheie hexagonală	2
13	Cheie fixă	1

ASAMBLAREA

MUTAREA MAȘINII DE RINDELUIT

A se vedea figura 3.

- Produsul poate fi transportat cu ajutorul mânerelor de pe lateralele cadrului. Asigurați-vă că extensiile mesei sunt pliate înainte de a muta produsul.

INSTALAREA PICIOARELOR

- Atașați picioarele în colțuri, în partea de jos a produsului.

MONTAREA MAȘINII DE RINDELUIT PE O BAZĂ DE LEMN

A se vedea figura 5-6.

- Atunci când mașina de rindeluit nu este montată pe un stativ dedicat, se recomandă montarea pe două blocuri de lemn. Astfel se va asigura stabilitatea necesară.
- Alegeți două blocuri de lemn conform dimensiunilor din figură. Așezați produsul pe cele două blocuri.
- Utilizați cele patru șuruburi de fixare a bazei (furnizate) pentru a fixa baza mașinii pe lemn.

SUPPORTUL PENTRU PIESE DE PRELUCRAT

A se vedea figura 7.

- Suportul pentru piese de pe partea superioară a mașinii asigură păstrarea la îndemână a pieselor pe care doriți să le prelucrați consecutiv. Piesele păstrate pe partea superioară a mașinii pot fi trase cu ușurință către operator în vederea prelucrării.

OPERAREA

ÎNTRERUPĂTOR PORNIRE/OPRIRE

A se vedea figura 8.

- Pentru a porni mașina, apăsați butonul I. Pentru a opri mașina, apăsați butonul O.

⚠ AVERTISMENT

Comutatorul trebuie să fie întotdeauna în poziția Oprit înainte de a conecta mașina la sursa de alimentare.

COMUTATORUL DE PROTECȚIE LA SUPRASARCINĂ

A se vedea figura 8.

- Mașina este prevăzută cu un comutator de protecție la suprasarcină. În cazul unei suprasarcini, comutatorul se va declanșa. În cazul în care se întâmplă acest lucru, așteptați câteva minute și apăsați comutatorul pentru a reseta mașina.

REGLAREA ADÂNCIMII TĂIERII

A se vedea figura 9.

⚠ AVERTISMENT

Nu rindeluiți niciodată mai mult de 3 mm la o trecere și nu încercați niciodată să rindeluiți o scândură mai scurtă de 127 mm (5"). Purtați întotdeauna o mască de protecție.

- Pentru a ajusta adâncimea de rindeluire, rotiți manivela de ajustare a adâncimii în direcția corespunzătoare, conform marcajelor de pe partea superioară a mașinii. Adâncimea de rindeluire poate fi citită pe indicatorul corespunzător. Gradațiile de ajustare sunt de 1,6 mm (per rotire a manivelei).
- Începeți prelucrarea întotdeauna efectuând o rindeluire subțire. Adâncimea de prelucrare la trecerile ulterioare poate fi crescută până la 3 mm, dar rețineți că o rindeluire subțire va asigura o suprafață mai fină decât o rindeluire groasă.
- Grosimea blocului care trece prin mașină este determinată de distanța dintre lama tăietoare și bază (masă).
 - Nu rindeluiți scânduri mai subțiri de 7 mm.
 - Nu rindeluiți scânduri mai groase de 153 mm (6").

AJUSTAȚI INDICATORUL DE ADÂNCIME A RINDELU-IRII.

A se vedea figura 9.

Pentru funcționarea sigură a mașinii, este esențial ca



Română

indicatorul de adâncime a rindeluirii să funcționeze corect. Pentru a ajusta adâncimea de rindeluire, urmați pașii de mai jos:

- Introduceți o scândură de rindeluit.
Comparați grosimea măsurată a plăcii cu valoarea de pe indicatorul de adâncime a rindeluirii.
- Dacă valoarea de pe indicator este incorectă, slăbiți șurubul care strânge săgeata de plastic și ajustați indicatorul în consecință.
- După ce ajustați corect indicatorul de adâncime a rindeluirii, testați mașina rindeluid o scândură oarecare, de care nu aveți nevoie. După rindeluire, măsurați grosimea rindeluită și comparați-o cu valoarea de pe indicator. Cele două valori trebuie să fie identice. Re-ajustați indicatorul de adâncime pentru a afișa corect grosimea rindeluită - dacă este cazul.

DEMONTAREA LAMELOR MAȘINII

A se vedea figura 10-12.

Pentru a demonta lamele, urmați pașii de mai jos:

AVERTISMENT

Deconectați produsul de la sursa de alimentare înainte de a demonta lamele.

- Îndepărtați compartimentul pentru rumeguș deșurubând cele patru șuruburi hexagonale care îl fixează.
- Slăbiți bara de blocare și lama rotind șuruburile de fixare în sens orar. Lamele au în spate un arc și vor fi împinse spre exterior în momentul în care ansamblul este slăbit.
- Scoateți lama, apoi bara de blocare a lamei.

MONTAREA / ÎNLOCUIREA LAMELOR MAȘINII

A se vedea figura 12.

Pentru a monta lamele, urmați pașii de mai jos:

- Demontați lamele conform instrucțiunilor din "DEMONTAREA LAMELOR MAȘINII".
- Îndepărtați rumegușul de sub capul tăietor.
- Introduceți bara de blocare a lamei în fanta corespunzătoare de pe capul tăietor.
- Introduceți lama în fanta de pe capul tăietor și strângeți ansamblul lamă - bară de blocare rotind șuruburile de fixare în sens antiorar. Asigurați-vă că lama este îndreptată în direcția corectă și este centrată în fantă.
- Setați înălțimea lamei conform instrucțiunilor din "AJUSTAREA ÎNĂLȚIMII LAMELOR". Înălțimea lamei trebuie reajustată de fiecare dată când lama este scoasă, indiferent de motiv.

- Nu uitați să montați la loc compartimentul pentru rumeguș după instalarea lamelor.

AJUSTAREA ÎNĂLȚIMII LAMELOR

A se vedea figura 13-14.

- Pentru a obține o proiecție a lamei de 1,1 mm, plasați lera de poziționare a lamei pe capul tăietor cu ambele ghidaje în contact ferm cu lama.
- Slăbiți ansamblul rotind cele șapte șuruburi de fixare în sens orar cu o cheie fixă.
- Atunci când lama este adusă la înălțimea dorită de către ghidajele lerei, strângeți din nou ansamblul rotind șuruburile de fixare în sens orar. Asigurați-vă că toate cele șapte șuruburi sunt bine strânse.

AVERTISMENT

Marginile lamelor se pot ciobi foarte ușor. Procedați cu atenție la manevrarea lerei pentru a evita deteriorarea lamelor.

AVERTISMENT

Ansamblul trebuie bine strâns pentru a preveni accidentele în timpul rindeluirii.

CONECTAREA UNUI SISTEM DE COLECTARE A RUMEGUȘULUI

A se vedea figura 19.

Praful care apare când se lucrează cu această sculă poate fi dăunător sănătății. Utilizați un sistem de absorbție a rumegușului și îndepărtați rumegușul de ex. cu ajutorul unui aspirator.

Pentru a conecta un sistem de colectare a rumegușului:

- Deconectați unealta.
- Conectați duza sistemului de colectare a prafului la orificiul de praf.

Curățați furtunul sistemului de colectare a rumegușului cât mai frecvent, pentru a evita acumularea rumegușului.

AJUSTARE

OBȚINEREA PARALELISMULUI ÎNTRE CAPUL TĂIETOR ȘI MASA DE LUCRU

A se vedea figura 15-18.

Rindeluiți o piesă și măsurați-i grosimea după prelucrare. Dacă grosimile obținute sunt diferite pe cele două laturi ale piesei de prelucrat, realizați următoarele:

Ajustați axul capului tăietor și masa de lucru astfel încât cele două să fie paralele. Unelele utilizate pentru verificare





Română

sunt afișate în figura 15. Utilizați lemn de esență tare pentru a obține un bloc de calibrare conform dimensiunilor indicate în figură. Realizați ajustările conform procedurilor următoare.

- Demontați maneta de reglare a înălțimii și capacele de sus și din laterale, îndepărtând toate șuruburile cu cap inbus, pentru a expune piulițele de ajustare a înălțimii.
- Slăbiți piulițele de ajustare.
- Ajustați piulițele de ajustare a înălțimii (în sus sau în jos) în funcție de blocul de calibrare.
- La atingerea înălțimii dorite, strângeți piulițele pe poziție.
- Montați la loc capacele de sus și laterale și maneta de ajustare a înălțimii.

NOTĂ: Îndepărtați blocul de calibrare înainte de a porni mașina.

Rindeluirea este operația prin care o scândură este subțiată la dimensiunea dorită, creându-se o latură plană paralelă cu latura opusă.

Arta rindeluirii constă în special în aprecierea corectă a adâncimii de rindeluire în funcție de situație. Trebuie să luați în calcul:

1. Grosimea scândurii
2. Duritatea lemnului
3. Gradul de umezeală al lemnului
4. Curbura lemnului
5. Direcția fibrei
6. Structura fibrei

Modul în care acești factori pot afecta calitatea prelucrării nu poate fi învățat decât prin experiență. Întotdeauna când lucrați cu un tip de lemn nou, sau cu unul cu probleme neobișnuite, realizați întotdeauna rindeluire de probă pe eșantioane de care nu aveți nevoie.

PENTRU RINDELIUREA SUPLIMENTARĂ

Dacă aveți nevoie de rindeluire suplimentară pentru a atinge grosimea sau nivelul de finisare dorit, reglați manivela capului tăietor la o adâncime de cel mult 3 mm (indiferent de situație) și mai prelucrați piesa o dată.

⚠ AVERTISMENT

Nu rindeluiți niciodată mai mult de 3 mm la o trecere și nu încercați niciodată să rindeluiți o scândură mai scurtă de 127 mm (5"). Purtați întotdeauna o mască de protecție.

ÎNȚREȚINEREA

⚠ AVERTISMENT

Asigurați-vă întotdeauna că ștecherul a fost îndepărtat din priză, înainte de a face orice reglări, de a-l lubrifia sau când efectuați întreținerea produsului.

REASCUȚIREA LAMEI

Dacă este necesară reascuțirea lamei, este permisă doar reascuțirea muchiei tăietoare.

LUBRIFIEREA

- Lubrifierea recomandată pentru lanțurile utilizate în operații de intensitate medie-joasă constă în simpla ștergere a lanțului. Atunci când se acumulează rumeguș sau talaș în exces, protejați lanțul cu un strat subțire de ulei, dar nu turnați niciodată ulei direct pe lanț. Lubrifierea excesivă favorizează acumularea de rumeguș și talaș. Aceste depuneri vor pătrunde în componentele lanțului, accelerând uzura și cauzând înlocuirea prematură. Cele de mai sus se aplică atât pentru lanțurile de reducere a vitezei și ajustare a adâncimii, cât și pentru șuruburile de ridicare.
- Rulmenții capului tăietor sunt lubrifiați și etanșați din fabrică. Aceștia nu necesită atenție.

ÎNȚREȚINERE PERIODICĂ

- Acumulările de rumeguș și alte reziduuri pot determina funcționarea imprecisă a mașinii. Curățarea periodică este obligatorie pentru menținerea preciziei rindeluirii.
- Piesele cu cuplare precisă (de ex. barele de blocare și fantele capului tăietor) trebuie curățate cu o perie; se va avea în vedere îndepărtarea tuturor materiilor străine. Apoi, remontați toate piesele în pozițiile corespunzătoare, ușor lubrificate cu ulei.
- Îndepărtați rășina și alte acumulări de pe rolele și masa de alimentare cu ajutorul unui solvent neinflamabil.

TRANSPORTARE ȘI DEPOZITARE

La transportarea produsului, deconectați cablul de alimentare și demontați produsul de pe bază. Produsul poate fi transportat cu ajutorul mânerelor de pe lateralele cadrului. Depozitați produsul într-un loc sigur ce nu este accesibil copiilor.

Curățați produsul folosind o perie sau aspiratorul înainte de a-l depozita.



Română

PROTECȚIA MEDIULUI ÎNCONJURĂTOR



Reciclați materiile prime în loc să le aruncați la gunoi, împreună cu deșeurile menajere. Pentru a proteja mediul înconjurător, mașina, accesoriile acesteia și ambalajele trebuie triate.

SIMBOL



Alertă de siguranță



Conformitate CE



Citiți instrucțiunile cu atenție înainte de pornirea produsului.



Clasa II, dublu izolat



Purtați echipamente de protecție a auzului



Purtați întotdeauna ochelari de protecție.



Direcția de rotire a lamei



Adâncime maximă rindeluire per trecere



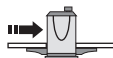
Lungime minimă rindeluire



Lățime maximă rindeluire



Grosime rindeluire



Viteză alimentare



Lungime lamă



Coborâre lamă



Ridicare lama



Deșeurile produselor electrice nu trebuie să fie înlăturate împreună cu deșeurile casnice. Vă rugăm să reciclați acolo unde există facilități. Verificați la autoritatea dvs. locală sau la vânzător pentru sfaturi privind reciclarea.



Română

DEPANAREA

Problemă	Cauză posibilă	Soluție
Fibrele sunt desprinse.	<ol style="list-style-type: none"> 1. Ați prelucrat lemn cu conținut ridicat de umezeală. 2. Lamele sunt tocite. 	<ol style="list-style-type: none"> 1. Uscați lemnul. 2. Ascuțiți lamele.
Fibrele sunt rupte.	<ol style="list-style-type: none"> 1. Ați apăsat excesiv capul de tăiere. 2. Lamele taie împotriva fibrei. 3. Lamele sunt tocite. 	<ol style="list-style-type: none"> 1. Verificați adâncimea tăieturii. 2. Introduceți piesa de prelucrat cu fibra pe lung sau întoarceți-o. 3. Ascuțiți lamele.
Fibrele sunt tăiate aspru / sunt ridicate.	<ol style="list-style-type: none"> 1. Lamele sunt tocite. 2. Ați apăsat excesiv capul de tăiere. 3. Conținutul de umiditate este prea ridicat. 4. Rulmenții capului de tăiere sunt deteriorați. 	<ol style="list-style-type: none"> 1. Ascuțiți lamele. 2. Verificați adâncimea tăieturii. 3. Uscați lemnul. 4. Înlocuiți rulmenții.
Rindeluire inegală dintr-o parte în cealaltă.	<ol style="list-style-type: none"> 1. Proiecția lamei nu este uniformă. 2. Capul tăietor nu este paralel cu masa mașinii. 	<ol style="list-style-type: none"> 1. Ajustați proiecția lamei. 2. Aduceți capul tăietor în poziție paralelă cu masa.
Grosimea scândurii nu corespunde cu adâncimea de rindeluire de pe indicator.	<ol style="list-style-type: none"> 1. Valoarea indicată pentru adâncimea de rindeluire este incorectă. 	<ol style="list-style-type: none"> 1. Ajustați indicatorul de adâncime a rindeluirii.
Lanțul sare.	<ol style="list-style-type: none"> 1. Pinioanele sunt incorect aliniate. 2. Pinioanele sunt uzate. 	<ol style="list-style-type: none"> 1. Aliniați pinioanele. 2. Înlocuiți pinionul.
Mașina nu pornește/ repornește.	<ol style="list-style-type: none"> 1. Mașina nu este cuplată la rețeaua de alimentare. 2. Defecțiune la motor. 3. Cablu desprins. 4. Resetarea la suprasarcină a eșuat. 5. Defecțiune la starterul motorului. 	<ol style="list-style-type: none"> 1. Verificați sursa de alimentare. 2. Verificați motorul. 3. Verificați motorul la un agent de service autorizat. 4. Lăsați mașina să se răcească și reporniți-o. 5. Verificați starterul motorului la un agent de service autorizat.
Declanșare repetată a circuitului de siguranță, determinând oprirea motorului.	<ol style="list-style-type: none"> 1. Prolungitorul este prea lung sau prea subțire. 2. Lamele sunt prea tocite. 3. Tensiunea este prea mică. 	<ol style="list-style-type: none"> 1. Utilizați un prolongitor mai scurt sau mai gros. 2. Ascuțiți sau înlocuiți lamele. 3. Verificați tensiunea.
Alimentare incorectă a materialului de prelucrat.	<ol style="list-style-type: none"> 1. Masa de alimentare este murdară. 2. Rola de alimentare este deteriorată. 3. Pinionul este deteriorat. 4. Cutia de viteze funcționează incorect. 	<ol style="list-style-type: none"> 1. Curățați reziduurile și lubrifiați masa de alimentare. 2. Înlocuiți rola de alimentare. 3. Înlocuiți pinionul. 4. Verificați cutia de viteze.
Piesa de prelucrat este blocată.	<ol style="list-style-type: none"> 1. Setare incorectă a înălțimii lamei. 	<ol style="list-style-type: none"> 1. Setati lama la înălțimea corectă.





Latviski

APRAKSTS

1. Augšējais aizsargs
 2. Griezējgalvas augstuma regulēšanas sviras rokturis
 3. Ēvelēšanas dziļuma skala
 4. Ieslēgšanas/izslēgšanas slēdzis.
 5. Pārslodzes slēdzis
 6. Galda pagarinājums
 7. Pamatnes fiksācijas skrūves
 8. Pēda
 9. Pacēluma pogas fiksācijas skrūve
 10. Bīdīšanas nūja
 11. Asmens iestatīšanas mērs
 12. Sešstūrveida uzgriežņu atslēga
 13. Gala uzgriežņu atslēga
 14. Plastikāta augstuma atzīme
 15. Putekļu aizsargs
 16. Seškanšu galvu skrūves
 17. Asmeņu fiksācijas skrūves
 18. Asmens iestatīšanas mērs
 19. Fiksācijas ieliktnis
 20. Fiksācijas skrūves
 21. Ripas
 22. Atspere
 23. Seškanšu skrūves
 24. Augstuma regulēšanas uzgrieznis
- Radot jūsu biežumēveli, drošībai, veiktspējai un uzticamībai ir pievērsta vislielākā vērība.

PAREDZĒTĀ LIETOŠANA

Ēvele ir paredzēta koka ēvelēšanai. Nelietojiet šo ierīci citiem mērķiem kā tikai tai paredzētajiem.

VISPĀRĪGIE DROŠĪBAS BRĪDINĀJUMI

BRĪDINĀJUMS

Izmantojot elektroinstrumentus, vienmēr jāievēro drošības vienmēr, lai samazinātu aizdegšanās, elektriskās strāvas trieciena un personiskās traumas risku. Pirms mēģināt izmantot šo produktu, izlasiet un saglabājiet šos norādījumus.

- **Darba vietai jābūt tīrai.** Nekārtīgas darba zonas un darbgaldi var būt traumu iemesls.
- **Pārdomājiet darba zonas vidi.** Nepakļaujiet instrumentus lietus iedarbībai. Nelietojiet instrumentus mitrās vietās. Darba vietai jābūt labi apgaismotai. Neizmantojiet instrumentus ugunsdrošu šķidrumu vai gāzu klātbūtnē.

- **Sargieties no elektriskās strāvas trieciena.** Ķermenis nedrīkst pieskarties zemētām virsmām (piemēram, caurulēm, radiatoriem, plītim, ledusskapjiem).
- **Citām personām ir jāatrodas pietiekamā atstumā.** Nelaujiet nepiederošām personām, it īpaši bērniem, iesaistīties darbā, pieskarties instrumentam vai pagarinātājkaбелиem un atrasties darba zonā.
- **Glabājiet nelietojamus instrumentus.** Kad instrumenti netiek lietoti, tie jāglabā sausā, slēgtā, bērniem nepieejamā vietā.
- **Nepārslodzējiet instrumentu.** Tas darbosies labāk un drošāk ar paredzētajiem apgriezieniem.
- **Izmantojiet pareizo instrumentu.** Nelieciet maziem instrumentiem veikt spēcīgu instrumentu darbu. Neizmantojiet instrumentus citiem nolūkiem, izņemot paredzētos, piemēram, nelietojiet ripzāģus koku zaru vai balņu griešanai.
- **Apģērbieties pareizi.** Nevalkājiet vaļīgas drēbes vai brīvi krītošas rotaslietas, jo tās var aizķerties aiz kustīgajām daļām. Strādājot ārā, ieteicams izmantot neslīdošus apavus. Aizsargājiet garus matus, uzliekot galvas apsegu.
- **Izmantojiet aizsargaprīkojumu.** Izmantojiet aizsargbrilles. Ja darba laikā rodas putekļi, izmantojiet sejas vai putekļu masku.
- **Pievienojiet putekļu ekstrakcijas aprīkojumu.** Ja instrumentam var pievienot putekļu nosūkšanas un savākšanas ierīces, tās jāpievieno un pareizi jālieto.
- **Izmantojiet barošanas vadu tikai pareizi.** Nekādā gadījumā nevelciet aiz vada, lai atvienotu no kontaktligzdas. Turiet vadu atstatu no karstuma, eļļas un asām malām.
- **Strādājiet droši.** Ja iespējams, darba saturēšanai izmantojiet skavas vai skrūvspīles. Tas ir drošāk nekā manuāli.
- **Nesnodzieties tam pāri.** Visu laiku stāviet stingri un stabili.
- **Rūpīgi veiciet instrumentu apkopi.** Lai darbs būtu labāks, drošāks, griežņinstrumentiem jābūt asiem un tīriem. Izpildiet eļļošanas un piederumu maiņas norādījumus. Regulāri pārbaudiet instrumenta vadus un bojājumu gadījumā lieciet tos salabot pilnvarotā servisa iestādē. Regulāri pārbaudiet un bojājumu gadījumā nomainiet pagarinājuma kabeļus. Rokturiem ir jābūt sausiem un tīriem, bez eļļas un smērvielām.
- **Atvienojiet instrumentus.** Kad instrumenti netiek lietoti, pirms apkopes un piederumu, piemēram, asmeņu, urbu un griežņu maiņas, atvienojiet instrumentus no barošanas padeves.
- **Noņemiet regulācijas atslēgas un uzgriežņu atslēgas.** Pirms instrumenta ieslēgšanas vienmēr





Latviski

pārbaudiet, vai no tā ir noņemtas atslēgas un regulēšanas uzgriežņu atslēgas.

- **Nepieļaujiet nejašu iedarbināšanu.** Pieslēdzot pārliecinieties, vai slēdzis ir izslēgšanas pozīcijā.
- **Izmantojiet āra pagarinātājkabeļus.** Kad instruments tiek lietots ārā, izmantojiet tikai pagarinātājus, kas ir paredzēti lietošanai ārā un ir atbilstoši marķēti.
- **Esiet uzmanīgs.** Vērojiet, ko darāt, izmantojiet veselo saprātu un nelietojiet instrumentu, ja esat noguris.
- **Pārbaudiet bojātās daļas.** Pirms instrumenta lietošanas tas ir uzmanīgi jāpārbauda, lai konstatētu, vai tas darbojas pareizi un veic paredzēto funkciju. Pārbaudiet kustīgo daļu iestatījumu, vai tās neķeras, vai daļas nav salūzušas, stiprinājumus un visus citus apstākļus, kas var ietekmēt darbību. Bojāts aizsargs vai cita daļa pareizi jā saremontē vai jānomaina pilnvarotā servisa centrā, ja šajā instrukciju rokasgrāmatā nav norādīts citādi. Nomainiet bojātus slēdzus pilnvarotā servisa centrā. Neizmantojiet instrumentu, ja nedarbojas slēdzis.
- **Brīdinājums.** Ja tiek izmantots cits piederums vai pierīce, izņemot instrukcijā norādīto, tas var izraisīt personiskas traumas risku.
- **Instruments ir jāremontē kvalificētam speciālistam.** Šis elektroinstruments atbilst attiecīgajiem drošības noteikumiem. Remontu drīkst veikt tikai kvalificēti speciālisti, izmantojot oriģinālās rezerves daļas, citādi lietotājs var gūt nopietnas traumas.

ĒVELES DROŠĪBAS BRĪDINĀJUMI

- Izmantojot elektroinstrumentu, vienmēr nēsājiet aizsargbrilles un dzirdes aizsarglīdzekļus.
- Rīkojoties ar asmeņu bloku un raupju materiālu, valkājiet cimdus, lai izvairītos no asu malu radītiem ievainojumiem.
- Ja darbs ir puteklains, valkājiet putekļu masku.
- Pārbaudiet, lai pārliecinātos, ka visas fiksācijas skrūves ir pievilktas, pirms iedarbināt ierīci.
- Vienmēr apturiet motoru un atvienojiet no sprieguma avota, pirms veikt jebkādas regulēšanas darbus.
- Pārliecinieties, ka pirms lietošanas visi aizsargi ir vietā.
- Līdz galam izlasiet lietošanas instrukciju, lai iepazītos ar iekārtu pirms tās lietošanas.
- Nespiediet apstrādājamo virsmu caur iekārtu ar spēku. Ļaujiet iekārtai pašai piemērot nepieciešamo padeves ātrumu.
- Laiku pa laikam pārbaudiet padeves rullīšus, lai pārliecinātos, ka starp to daļām nav uzkrājušies putekļi un skaidas. Ja rullīši neatrodas stingri savā vietā, padeves rullji pietiekoši stingri neturēs koku pret

pamatni, pieļaujot atsitienu.

- Pārbaudiet un pārliecinieties, ka, ēvelējot koku, rullīšu pamatnes ir vienā plaknē ar darba galdu, un rullīši var brīvi griezties, ēvelējot garus koksnes gabalus.
- Izmantojiet izstrādājumu tikai sausas koksnes dēļu ēvelēšanai.
- Izmantojiet vienmērīgu koka gabalu, bez vaļņiem zariem un pēc iespējas mazāk stingriem zariem.
- Nekad nestāviet vienā līnijā ar padeves vai izejas pusi. Vienmēr stāviet iesāņus vienā no iekārtas pusēm.
- Pārliecinieties, ka apstrādājamajā materiālā nav naglu, skrūvju, akmeņu un citu svešķermeņu, kuri var sabojāt asmeņus.
- Pārliecinieties, ka asmeņi ir pareizi uzlikti, kā aprakstīts norādēs.
- Rīkojoties ar griezējgalvas un asmeņu bloku, ievērojiet piesardzību. Asmeņi ir asi un viegli var sagriezt jūsu rokas.
- Ļaujiet griezējgalvai sasniegt pilnus apgriezienus, pirms sākt ēvelēt.
- Izmantojiet bīdīšanas nūju roku vietā, lai izbīdītu apstrādājamo gabalu, kad tā gals tuvojas asmeņiem. Bīdīšanas nūja ir jāglabā uz darbagalda, kad tā netiek izmantota.
- Izmantojiet asmeņus, kas ir labi uzasināti un kopti.
- Izmantojiet tikai asmeņus, kas radīti šim izstrādājumam.
- Pirms lietošanas pārliecinieties, ka ēvele ir droši nostiprināta. Ēvelējot garu materiālu, pievērsiet īpašu vērību stabilitātei.
- Asmenim kustoties, turiet rokas no tā atstatu.
- Neveiciet griezumus, kas dziļāki par 3 mm (1/8").
- Valkājiet acu aizsargus, kas atbilst jūsu vietējiem drošības standartiem.
- Neizņemiet iestrēgušus gabalus, līdz asmens nav apstājies un ieslēgšanas slēdzis ir izslēgts.

▲ BRĪDINĀJUMS

Nekad neveiciet šādas darbības:

- Pārtraukts darbs (jebkādu ēvelēšanu, kas netiek veikta pilnam apstrādājamā gabala garumam)
- Padziļinājumu, izciļņu vai formu ēvelēšana
- Stingri savērpta koka ēvelēšana, kad nav pilnīgas saskarsmes ar padeves galdu

ATSITIENA NOVĒRŠANAS AIZTURE

Skatiet 2. attēlu.





Latviski

- Atsitienu novēršanas aizture ir ierīce, kas, kad ir pareizi uzstādīta un kopta, ir veidota, lai aizturētu apstrādājamā gabala atsianu atpakaļ virzienā uz asmens priekšu apstrādes laikā.

IZVAIRĪŠANĀS NO ATSIENA

- Vienmēr izmantojiet pareizus asmens dziļuma iestatījumus.
Pārbaudiet apstrādājamo gabalu, vai nav zaru vai naglu, pirms sākt ēvelēšanu. Izsitiet visus vaļīgos zarus ar āmuru. Nekad neēvelējiet vaļīgos zarus vai naglas.
- Vienmēr izmantojiet tīrus, asus un pareizi iestatītus asmeņus.
- Nekad neizmantojiet iekārtu ar truliem asmeņiem.
- Lai izvairītos no asmens iespiešanas, pareizi atbalstiet apstrādājamo gabalu, pirms ēvelēšanas sākšanas.
- Veicot ēvelēšanu, pielietojiet pastāvīgu, vienmērīgu spiedienu. Nekad nespiediet apstrādājamo gabalu ar spēku.
- Neēvelējiet mitrus sagriezušos kokus.
- Vienmēr turiet apstrādājamo gabalu ar abām rokām, turiet jūsu ķermeni līdzsvara stāvoklī, lai būtu gatavs pretoties atsienam. Nekad nestāviet vienā līnijā ar apstrādājamo materiālu.

PALIEKOŠIE RISKI

Pat tad, ja ierīce tiek lietota, kā aprakstīts, joprojām nav iespējams pilnībā novērst atsevišķus riska faktorus. Operatoram jāpievērš īpaša uzmanība šiem norādījumiem, lai samazinātu nopietnu ievainojumu risku.

- Dzirdes bojājumi – Lietojiet piemērotus dzirdes aizsarglīdzekļus un ierobežojiet lietošanas laiku.
- Redzes bojājumi – Lietojot ierīci, valkājiet acu aizsēgu vai aizsargbrilles.
- Elpceļu bojājumi no ierīces radītiem putekļiem – Lietojiet piemērotus aizsarglīdzekļus atkarībā no putekļu veida.

ELEKTRISKAIS PIESLĒGUMS

Šajā produktā ir smalkas konstrukcijas motors. To vajadzētu pievienot tikai 220~240 V maiņstrāvas barošanas padevei (parastā sadzīvē izmantojamā strāva), 50 Hz. Nelietojiet šo produktu ar līdzstrāvu (DC). Ievērojams sprieguma kritums izraisa jaudas zudumu, un motors pārkarstīs. Ja produkts nedarbojas, kad ir pieslēgts barošanai, atkārtoti pārbaudiet barošanas pievadu.

ĀTRUMS UN VADOJUMS

Šī instrumenta bezslodzes ātrums ir aptuveni 9000 apgr./min. Šis ātrums nav konstants un samazinās slodzes vai zemāka sprieguma ietekmē. Sprieguma ziņā darbnīcas vadojums ir tikpat svarīgs kā motora nomināls zirgspēkos. Tikai apgaismes ķermeņiem paredzētā līnija nevar pareizi nodrošināt elektroinstrumenta motoru. Vads, kura nomināls ir piemērots nelielam attālumam, būs nepietiekams lielākam attālumam. Līnija, kas var nodrošināt atbalstu vienam elektroinstrumentam, iespējams, nevar atbalstīt divus vai trīs instrumentus.

Ja bojāts strāvas padeves vads, lai izvairītos no riska, to drīkst nomainīt tikai ražotājs vai pilnvarotā apkopes centrā.

Pieslēdziet izstrādājumu kontaktligzdai, kuras konfi gurācija ir tāda pati kā kontaktspraudnim. Neizmantojiet ar šo izstrādājumu adapteri.

Lai nodrošinātu drošību un uzticamību, visi remontdarbi jāveic PILNVAROTĀ SERVISĀ CENTRĀ vai citā KVALIFICĒTĀ SERVISĀ ORGANIZĀCIJĀ.

Elektrības slēgumā vai kontaktdakšā, kura tiks izmantota ar iekārtu, jāuzstāda atlikušās strāvas aizsardzības ierīce. Ir pieejamas izejas ar iebūvētu RCD aizsardzību, un tās var izmantot kā drošības līdzekli.

Ja izstrādājums tiek lietots ar pagarinātāja vadu, pārlicinieties, ka pagarinātāja savienojums ar ierīces sprieguma vadu neatrodas uz zemes. Palīgierīcēm vienmēr vajadzētu būt pieslēgtām sienas rozetei, nevis savienotām ar pagarinājuma kabeli un elektroinstrumentu barošanas vadu.

Ja nav pieejama aizsargāta kontaktligzda, neizmantojiet izstrādājumu, līdz nav iespējams nomainīt sprieguma avotu, vai rast papildus aizsardzību. Šīs aizsardzības papildierīces ir pieejamas no vietējā mazumtirgotāja.

VAĻĪGO DETALU SARAKSTS

Nosaukums	Apraksts	Daudz.
2	Griezējgalvas augstuma regulēšanas vīruss rokturis	1
7	Pamatnes fiksācijas skrūves	4
8	Pēda	4
9	Pacēluma pogas fiksācijas skrūve	1
10	Bīdīšanas nūja	1
11	Asmens iestatīšanas mērs	1





Latviski

12	Sešstūrveida uzgriežņu atslēga	2
13	Gala uzgriežņu atslēga	1

MONTĀŽA

ĒVELES PĀRVIETOŠANA

Skatiet 3. attēlu.

- Izstrādājumu var pārvietot, izmantojot rokturus abās rāmja pusēs. Nodrošiniet, ka galda pagarinājumi pirms pārvietošanas ir aizvērti.

KĀJU UZSTĀDĪŠANA

- Pievienojiet kājas izstrādājuma stūru apakšā.

ĒVELES UZSTĀDĪŠANA UZ KOKA PAMATNES

Skatīt attēlus 5-6.

- Kad ēvele netiek uzstādīta uz ēveles statīva, ieteicams to uzstādīt uz divām koka brusām. Tas nodrošinās maksimālu stabilitāti.
- Izvēlieties divas koka brusas, atbilstoši attēlā parādītajiem izmēriem. Uzstādiet iekārtu uz koka virsmas.
- Izmantojiet četras pamatnes fiksācijas skrūves (komplektā), lai uzstādītu ēveles pamatni uz koka.

ATBALSTS

Skatiet 7. attēlu.

- Paliktis ēveles augšā nodrošina ērtu materiālu izmantošanu vairākām secīgām ēvelēšanas darbībām. Krājums, kas novietots ēveles augšā lietotājam ir ērti pieejams ēvelēšanai.

EKSPLUATĀCIJA

IESLĒGŠANAS/IZSLĒGŠANAS SLĒDZIS

Skatiet 8. attēlu.

- Lai ieslēgtu ēveli, nospiediet I pogu. Lai to izslēgtu, nospiediet O pogu.

⚠ BRĪDINĀJUMS

Vienmēr pārliecinieties, kas slēdzis ir IZSLĒGTĀ stāvoklī, pirms pievienot ēveli sprieguma avotam.

SLĒGUMA PĀRSLODZES SLĒDZIS

Skatiet 8. attēlu.

- Ierīce ir aprīkota ar pārslodzes slēdzi aizsardzībai no

pārslodzes. Notiekot pārslodzei, slēdzis izleks ārā. Ja tas notiek, nogaidiet vairākas minūtes un nospiediet slēdzi, lai atiestatītu iekārtu.

GRIEZUMA DZIĻUMA REGULĒŠANA

Skatiet 9. attēlu.

⚠ BRĪDINĀJUMS

Nekad neēvelējiet vairāk par 3 mm vienā gājienā un nekad nemēģiniet ēvelēt dēli, kas ir īsāks par 127 mm. Vienmēr valkājiēt sejas aizsargu.

- Lai noregulētu ēvelēšanas biežumu, pagrieziet griezējgalvas augstuma regulēšanas sviras rokturi virzienā, kas norādīts ēveles augšpusē. Augstuma regulēšanu var nolasīt no ēvelēšanas dziļuma skalas. Regulēšanas solis ir 1.6 mm ar vienu sviras apgriezieni.
- Vienmēr sāciet darbu, veicot plānu sākotnējo ēvelēšanu. Turpmāko gājienu dziļumu var palielināt par līdz pat 3 mm, tomēr atcerieties, ka plānāka ēvelšķaida rada līdzenāku rezultātu, kā biežāks.
- Apstrādājamā gabala biežumu regulē attālums, kurā no galda esat iestatījuši ēvelēšanas asmeņus.
 - Neēvelējiet dēli, kas ir plānāks par 7 mm.
 - Neēvelējiet dēli, kas ir biežāks par 153 mm (6").

NOREGULĒJIET ĒVELĒŠANAS DZIĻUMA SKALU.

Skatiet 9. attēlu.

Jūsu ēveles drošai lietošanai ir ļoti svarīgi, ka ēvelēšanas biežuma skalas rādījumi ir precīzi. Lai noregulētu ēvelēšanas biežuma skalu, veiciet tālāk norādītos soļus:

- Izlaidiet cauri ēvelei dēli. Salīdziniet dēļa izmērīto biežumu ar ēvelēšanas biežuma skalas rādījumiem.
- Ja rādījumi uz ēvelēšanas biežuma skalas ir nepareizi, atlaidiet skrūvi, kas fiksē plastikāta rādītāju un iestatiet to pareizā vietā.
- Kad esat pareizi noregulējis ēvelēšanas biežuma skalu, pārbaudiet tās rādījumus ar nevajadzīgu dēļa gabalu. Pēc ēvelēšanas, izmēriet ēvelēto biežumu un vēlreiz salīdziniet to ar skalas rādīto biežumu. Abiem mērījumiem jābūt vienādiem. Atkārtoti noregulējiet ēvelēšanas biežuma skalu, ja nepieciešams.

ĒVELES ASMEŅU NOŅEMŠANA

Skatīt attēlus 10-12.

Lai noņemtu asmeņus, veiciet sekojošus soļus:





Latviski

▲ BRĪDINĀJUMS

Pirms asmeņu noņemšanas atvienojiet ierīci no sprieguma avota.

- Noņemiet putekļu aizsargu, izskrūvējot četras seškanšu galvas skrūves uz tā.
- Atļaidiet fiksācijas ieliktņus un asmeņus, griežot fiksācijas skrūves pulksteņrādītāja virzienā. Asmeņi balstās uz atspērēm, un tiek izspiesti ārā, kad tie ir atbrīvoti.
- Izņemiet ārā asmeni un pēc tam asmens fiksācijas ieliktņi.

ĒVELES ASMEŅU UZSTĀDĪŠANA/NOMAIŅA

Skatiet 12. attēlu.

Lai uzstādītu asmeņus, veiciet sekojošus soļus:

- Izņemiet asmeņus saskaņā ar norādēm "ĒVELES ASMEŅU IZŅĒMŠANA".
- Izīriiet visus netīrumus no ēveles griezējgalvas.
- Uzstādiet asmeni fiksācijas ieliktņi griezējgalvas rievā.
- Ievietojiet asmeni griezējgalvas rievā un pievelciet asmens un fiksācijas ieliktņa mezglu, griežot fiksācijas skrūves pretī pulksteņrādītāja virzienam. Pārļiecinieties, ka asmens ir vērstis pareizajā virzienā un rievā atrodas pa vidu.
- Iestādiet asmens augstumu saskaņā ar norādēm "ASMENS AUGSTUMA IESTATĪŠANA". Asmens augstuma iestatīšana ir jāveic katru reizi, kad kāda iemesla dēļ asmens tiek izņemts.
- Neaizmirstiet pēc asmens nomaīņas uzlikt vietā putekļu aizsargu.

ASMENS AUGSTUMA IESTATĪŠANA

Skatīt attēlus 13-14.

- Lai iegūtu asmens augstumu 1,1 mm, novietojiet asmens iestatīšanas rīku uz griezējgalvas, abām pusēm stingri atduroties pret asmeni.
- Atbrīvojiet mezglu, griežot septiņas fiksācijas skrūves pulksteņrādītāja virzienā ar gala uzgriežņu atslēgu.
- Kad asmens tiek piespiests vajadzīgajā augstumā pret rīka atdurēm, nofiksējiet mezglu, griežot fiksācijas skrūves pretī pulksteņrādītāja virzienam. Pārļiecinieties, ka visas septiņas fiksācijas skrūves ir kārtīgi pievilkta.

▲ BRĪDINĀJUMS

Asmens mala ir ļoti trausla. Ievērojiet piesardzību rīkojoties ar rīku asmeņu tuvumā, lai izvairītos no to sabojāšanas.

▲ BRĪDINĀJUMS

Asmeņu mezgls ir rūpīgi jānostiprina, lai izvairītos no negadījumiem ēvelēšanas laikā.

PUTEKĻU SAVĀKŠANAS SISTĒMAS PIEVIENOŠANA

Skatiet 19. attēlu.

Putekļi, kas radušies šī darbarīka lietošanas rezultātā, var būt kaitīgi veselībai. Izmantojiet putekļu savākšanas sistēmu un rūpīgi izīriiet uzkrājušos putekļus, piemēram ar putekļsūcēju.

Lai pieslēgtu putekļu savākšanas sistēmu

- Atslēdziet instrumentu.
- Putekļu savākšanas sistēmas sprauslu savienojiet ar putekļu portu.

Regulāri īriiet putekļu savākšanas sistēmas cauruli, lai izvairītos no putekļu uzkrāšanās.

REGULĒŠANA

GRIEZĒJGALVAS UN DARBA GALDA IESTATĪŠANA PARALĒLI

Skatīt attēlus 15-18.

Noēvelējiet koka gabalu un izmēriet tā biezumu pēc ēvelēšanas. Ja biežums abās koka gabala pusēs atšķiras, veiciet tālāk minētos soļus:

Noregulējiet ēveles asi un darba galdu tā, lai tie būtu paralēli. Pārbaudei izmantojamie rīki ir parādīti 15. attēlā. Izmantojiet cietas koksnes koku, lai izveidotu mērīšanas rīka klucīti, atbilstoši attēlā parādītajiem izmēriem. Veiciet regulēšanu saskaņā ar šādu darbu secību.

- Noņemiet augstuma regulēšanas kloķa rokturi un gan augšējo, gan sānu vākus, izskrūvējot seškanšu skrūves, lai piekļūtu augstuma regulēšanas fiksācijas uzgriežņiem.
- Atļaidiet regulēšanas fiksācijas uzgriežņus.
- Noregulējiet augstuma regulēšanas fiksācijas uzgriežņu augšup vai lejup tā, kā nepieciešams, lai panāktu atbilstību mērīšanas rīka klucītiem.
- Kad ir sasniegts nepieciešamais augstums, pievelciet fiksācijas uzgriežņus.
- Uzlieciet vietā sānu un augšējo vākus un uzlieciet vietā augstuma regulēšanas sviras rokturi.

PIEZĪME: Izņemiet mērīšanas klucus, pirms iedarbināt ierīci.

Biezuma ēvelēšana ir materiāla vēlamā biezuma iegūšana, vienlaicīgi radot līdzenu virsmu, kas paralēla dēļa pretējai pusei.





Latviski

Biezuma kalibrēšanas māksla galvenokārt sastāv no labas spriestspējas par ēvelēšanas biezumu dažādās situācijās. Jums jāņem vērā:

1. Apstrādājamā materiāla platums
2. Apstrādājamā materiāla cietība
3. Apstrādājamā materiāla mitrums
4. Dēļa taisnums
5. Šķiedras virziens
6. Šķiedras struktūra

Kā šie faktori var iespaidot darba kvalitāti, var iemācīties tikai, gūstot pieredzi. Ikreiz, kad strādājat ar jaunu koksnes veidu, vai koksni ar neparastām problēmām, vienmēr veiciet izmēģinājuma ēvelēšanu uz atgriezuma, pirms sākt ēvelēšanu nepieciešamajā biezumā.

PAPILDUS ĒVELĒŠANA

Ja vēlamā gala biezuma iegūšanai nepieciešama papildus ēvelēšana, nolaidiet griezējgalvu ar sviru ne vairāk kā par 3 mm (jebkurā brīdī) un veiciet vēl vienu gājienu.

▲ BRĪDINĀJUMS

Nekad neēvelējiet vairāk par 3 mm vienā gājiēnā un nekad nemēģiniet ēvelēt dēli, kas ir īsāks par 127 mm. Vienmēr valkājiēt sejas aizsargu.

APKOPE

▲ BRĪDINĀJUMS

Vienmēr pārliecinieties, ka ierīce ir atslēgta no strāvas padeves, pirms veicat pielāgojumus, ieeļļošanu vai veicat jebkādu ierīces apkopi.

ASMENS UZASINĀŠANA

Ja nepieciešama asmens uzasināšana, ļauts asināt tikai slīpo daļu.

EĻĻOŠANA

- Ieteicamā rullīšu ķēdes eļļošana, izmantojot ēveli vidēji biezi vai reti, ir vienkārši noslaucīt ķēdi tīru. Veidojiēties pārmēriēgam putekļu vai ēvejskaidu slānim, pārklājiēties ķēdi ar plānu eļļas kārtiņu, bet nekad neļejiēties eļļu tieši uz ķēdes. Pārmēriēga eļļošana izraisa pastiprinātu putekļu un ēvejskaidu pielipšanu un to iekļūšanu ķēdes posmos, izraisot pastiprinātu nodilumu un nepieciešamību to priekšlaicīgi mainīt. Tas attiecas uz ātruma samazināšanas un augstuma regulēšanas ķēdēm, kā arī uz augstuma skrūvēm.
- Griezējgalvas gultņi ir saeļļoti rūpnīcā un noslēgti. Tiem nav nepieciešama turpmāka uzmanība.

PERIODISKA APKOPE

- Koka putekļu un citu netīrumu uzkrāšanās var izraisīt neprecīzu ēveles darbību. Precīzai ēvelēšanai periodiska tīrīšana ir obligāta un ļoti ieteicama.
- Cieši pieguļošas daļas kā fiksācijas ieliktni un ēveles griezējgalvas rievās ir jātīra ar suku, iztīrot pielipušos svešķermeņus. Tad novietojiēties visas daļas tām paredzētajās vietās, tās viegli samitrinot ar eļļu.
- Notīriēties sveķu un citus uzaugumus no padeves ruļļiem un galda, izmantojot neuzliesmojošu šķīdinātāju.

TRANSPORTĒŠANA UN UZGLABĀŠANA

Pārvadājiēties ierīci, atvienojiēties sprieguma padeves vadu un nomontējiēties ierīci. Pārmēšājiēties ierīci, izmantojot rokturus abās rāmja pusēs. Glabājiēties ierīci drošā vietā, kas nav pieejama bērniēties.

Pirms uzglabāšanas, notīriēties ierīci ar otiņu vai putekļu sūcējiēties.

VIDES AIZSARDZĪBA



Tā vietā, lai izejmateriālus izmestu atkritumos, nododiet tos otrreizējiēties pārstrādei. Mašīna, aksesuāri un iepakojums ir jāsašķiro un jānodod videi draudzīgā atkārtotas pārstrādes vietā.

SIMBOLS



Drošības brīdinājums



CE atbilstība



Pirms iedarbināt izstrādājumu, lūdzu, uzmanīgi izlasiet norādījumus.



II klase, dubulta izolācija



Lietojiēties dzirdes aizsargus



Vienmēr lietojiēties aizsargbrilles.



Latviski



Asmens rotācijas virziens



Maksimālais ēvelēšanas dziļums vienā gājienā



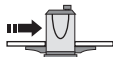
Minimālais ēvelēšanas garums



Maksimālais ēvelēšanas platums



Ēvelēšanas augstums



Padeves ātrums



Asmens garums



Nolaidiet asmeni



Paceliet asmeni



Izlietotie elektroprodukti nedrīkst tikt izmesti kopā ar mājsaimniecības atkritumiem. Lūdzu, nododiet tos attiecīgajās atk ār tās izmantošanas vietās. Sazinieties ar savu vietējo varas pārstāvi vai izplatītāju, lai noskaidrotu, kur iespējama atkārtota pārstrāde.



Latviski

PROBLĒMU NOVĒRŠANA

Problēma	Iespējamais iemesls	Risinājums
Šķiedra ir raupta.	<ol style="list-style-type: none"> 1. Koksnes ar lielu mitruma saturu ēvelēšana. 2. Asmeņi ir truli. 	<ol style="list-style-type: none"> 1. Izžāvējiet koksni. 2. Uzasiniet asmeņus.
Šķiedra ir saplēsta.	<ol style="list-style-type: none"> 1. Ēvelēšanas biežums ir par lielu. 2. Asmeņi darbojas pret šķiedru. 3. Asmeņi ir truli. 	<ol style="list-style-type: none"> 1. Izvēlieties piemērotāku ēvelēšanas biežumu. 2. Padodiet apstrādājamo gabalu pa šķiedrai vai apgrieziet to otrādāk. 3. Uzasiniet asmeņus.
Šķiedra ir raupta/pacēlusies.	<ol style="list-style-type: none"> 1. Asmeņi ir truli. 2. Ēvelēšanas biežums ir par lielu. 3. Mitruma saturs ir par lielu. 4. Griežējgalvas gultņi ir bojāti. 	<ol style="list-style-type: none"> 1. Uzasiniet asmeņus. 2. Izvēlieties piemērotāku ēvelēšanas biežumu. 3. Izžāvējiet koksni. 4. Nomainiet gultņus.
Nevienmērīgs dziļums no vienas puses uz otru.	<ol style="list-style-type: none"> 1. Asmens izvīrziņš nav vienmērīgs. Blade projection is not uniform. 2. Griežējgalva neatrodas paralēli pret ēveles pamatni. 	<ol style="list-style-type: none"> 1. Noregulējiet asmeņu izvīrziņumu. 2. Noregulējiet griežējgalvu paralēli galdam.
Dēja biežums neatbilst ēvelēšanas biežuma skalas rādījumam.	<ol style="list-style-type: none"> 1. Ēvelēšanas dziļuma skala nav precīza. 	<ol style="list-style-type: none"> 1. Noregulējiet ēvelēšanas dziļuma skalu.
Kāde lēkā.	<ol style="list-style-type: none"> 1. Zobrati nav novietoti vienā līnijā. 2. Zobrati ir nodiluši. 	<ol style="list-style-type: none"> 1. Noregulējiet zobratu līniju. 2. Nomainiet zobratu.
Instrumenti nevar iedarbināt / atkārtoti ieslēgt.	<ol style="list-style-type: none"> 1. Instruments nav pievienots spriegumam. 2. Motora kļūme. 3. Vads ir vaļīgs. 4. Pārslodzes atiestatīšanas kļūme. 5. Motora palaidēja kļūme. 	<ol style="list-style-type: none"> 1. Pārbaudiet sprieguma avotu. 2. Pārbaudiet motoru. 3. Pārbaudiet motoru pilnvarotā servisa centrā. 4. Ļaujiet ierīcei atdzist un atiestatiet. 5. Pārbaudiet motora palaidēju pilnvarotā servisa centrā.
Atkārtota drošinātāja nostrādāšana, izraisot motora apstāšanos.	<ol style="list-style-type: none"> 1. Pagarinātāja vads ir pārāk garš vai pārāk tievs. 2. Asmeņi ir pārāk truli. 3. Zems pienākošais spriegums. 	<ol style="list-style-type: none"> 1. Izmantojiet īsāku vai resnāku pagarinātāja vadu. 2. Uzasiniet vai nomainiet asmeņus. 3. Pārbaudiet spriegumu.
Slihta ēvelējamā materiāla pavece.	<ol style="list-style-type: none"> 1. Ēvele ir netīra. 2. Padeves rullis ir bojāts. 3. Zobrats ir bojāts. 4. Pārnese kārba darbības traucējumi. 	<ol style="list-style-type: none"> 1. Notīriet sveķus un atgriezumus, ieeļļojiet ēveles galdus. 2. Nomainiet paveces rulli. 3. Nomainiet zobratu. 4. Pārbaudiet pārnesumu kārbu.
Ēvelējamais materiāls ir iestrēdzis.	<ol style="list-style-type: none"> 1. Nepareizs asmeņu iestatītais augstums. 	<ol style="list-style-type: none"> 1. Iestatiet asmeņus pareizā augstumā.





Lietuviškai

APRAŠYMAS

1. Viršutinė apsauga
 2. Pjovimo galvutės aukščio reguliavimo rankenėlė
 3. Pjovimo gylio skalė
 4. Power switch
 5. Perkrovos jungiklis
 6. Stalo ilgintuvas
 7. Pagrindo tvirtinimo varžtai
 8. Kojelės
 9. Pakėlimo rankenėlės fiksavimo varžtas
 10. Stūmiklis
 11. Geležtės nustatymo kalibras
 12. Šešiakampis veržliaraktis
 13. Veržliaraktis atvirais galais
 14. Plastikinis žymeklis
 15. Dulkių latakas
 16. Varžtai su vidiniu šešiakampiu
 17. Spaudžiamieji varžtai
 18. Geležtės nustatymo kalibras
 19. Fiksavimo juosta
 20. Fiksavimo varžtai
 21. Geležtės
 22. Spyruoklė
 23. Nustatymo varžtai
 24. Aukščio reguliavimo veržlė
- Gaminant šias obliavimo-drožimo stakles didžiausia svarba buvo teikiama jų saugai, efektyvumui ir patikimumui.

NAUDOJIMO PASKIRTIS

Staklės skirtos medžiui obliuoti.

Šio gaminio nenaudokite jokių kitu būdu, tik pagal nurodytą paskirtį.

BENDRIEJI SAUGOS ĮSPĖJIMAI

ĮSPĖJIMAS

Naudojant elektrinius įrankius būtina atsižvelgti į elementarias saugumo priemones, kad sumažintumėte gaisro, elektros smūgio ar sužeidimų riziką. Prieš naudodami šį įrankį, perskaitykite visas instrukcijas bei jas išsaugokite.

- **Darbo vieta turi būti švari.** Netvarkinga aplinka ar darbo vieta skatina nelaimingus atsitikimus.
- **Atsižvelkite į darbo vietas aplinką.** Saugokite įrankius nuo lietaus. Nenaudokite įrankių drėgnoje arba šlapioje vietoje. Darbo vieta turi būti gerai apšviesta. Nenaudokite įrankių, jei šalia yra degūs skysčiai ar dujos.

- **Saugokitės elektros smūgių.** Stenkitės nesiliesti prie įžemintų ar įžeminimo paviršių (pvz. vamzdžių, radiatorių, grandinių/viryklių, šaldytuvų).
- **Pašaliniai asmenys turi būti toliau nuo darbo vietos.** Neleiskite kitiems asmenims, ypač vaikams, dalyvauti atliekant darbą, liesti įrankį ar ilginamąjį laidą bei stebėkite, kad jie būtų toliau nuo darbo zonos.
- **Nenaudojamus įrankius reikia laikyti sausoje, užrakintoje ir vaikams nepasiekiamoje vietoje.**
- **Nenaudokite įrankio jėgą.** Naudodami pagal paskirtį pagamintą tinkamą įrankį, darbą atliksite geriau ir saugiau.
- **Naudokite tinkamą atliekamam darbui įrankį.** Nenaudokite mažų įrankių, norėdami atlikti darbą, kuriam reikia galingesnio įrankio. Nenaudokite įrankių ne pagal jų paskirtį, pavyzdžiui, nenaudokite diskinių pjūklų pjauti medžių šakų ar rąstų.
- **Dėvėkite tik darbiui tinkamus drabužius.** Nedėvėkite laisvų nepriglundusių drabužių ir juvelyrinių dirbinių, kurie gali įsipainioti į judančias prietaiso detales. Dirbant lauke rekomenduojama avėti avalynę neslidžiais padais. Jei turite ilgus plaukus, dėvėkite apsauginį galvos apdangalą.
- **Naudokite apsaugos įrangą.** Dėvėkite apsauginius akinius. Dėvėkite veido kaukę ar kaukę nuo dulkių, jei pjovimo metu išsiskiria dulka.
- **Prijunkite dulkių surinkimo įrangą.** Jei įrankis skirtas prijungti prie dulkių ištraukimo ir surinkimo įrenginių, įsitikinkite, kad jie prijungti ir naudojami tinkamai.
- **Laidą naudokite pagal jo paskirtį.** Niekada netraukite už laido, norėdami atjungti įrankį nuo maitinimo šaltinio. Laidą laikykite toliau nuo įkaitusių vietų, tepalų ir aštrių briaunų.
- **Ruošinį pritvirtinkite.** Jei įmanoma, ruošinį prispauskite gnybtais ar spaustuvu. Tai saugiau nei laikyti ranka.
- **Nesiekite per toli.** Visada tvirtai stovėkite ir išlaikykite pusiausvyrą.
- **Įrankius prižiūrėkite rūpestingai.** Siekiant geresnių rezultatų ir kad darbas būtų atliktas saugiai, pjovimo įrankiai turi būti aštrūs ir švarūs. Laikykites tepimo ir papildomų detalių keitimo instrukcijų. Reguliariai patikrinkite įrankio laidus, jei jie pažeisti, juos remontuoti pristatykite tik įgaliotą techninės priežiūros centrą. Pastoviai patikrinkite ilginamuosius laidus ir pakeiskite juos, jei jie pažeisti. Rankenas reikia visada sausai nuvalyti, kad jos nebūtų suteptos alyva ir tepalais.
- **Atjunkite įrankius nuo maitinimo šaltinio.** Kai įrankiai nenaudojami, prieš atliekant techninės priežiūros darbus, keičiant jų priedus, pvz. geležtes,



Lietuviškai

antgalius ir pjoviklius, juos būtina atjungti nuo maitinimo šaltinio.

- **Pašalinkite iš įrankio reguliavimo raktus ir veržliarakčius.** Įpraskite prieš įjungdami įrankį patikrinti, ar iš jo pašalinti raktai ir veržliarakčiai.
- **Saugokitės, kad įrankis netyčia neužsivestų.** Prieš prijungdami įrankį prie maitinimo šaltinio, patikrinkite, ar jo jungiklis yra „OFF“ (išjungtoje) padėtyje.
- **Naudokite darbui lauke skirtus ilginamuosius laidus.** Kai įrankiu dirbate lauke, naudokite tik ilginamuosius laidus, skirtus bei paženklintus darbui lauke.
- **Būkite budrūs.** Stebėkite, ką darote, vadovaukitės sveika nuovoka ir įrankio nenaudokite, jei esate pavargę.
- **Patikrinkite, ar nėra pažeistų detalių.** Prieš toliau naudojant įrankį, būtina atidžiai patikrinti, ar jis tinkamai veiks ir atliks reikiamą darbą. Patikrinkite judančių dalių centravimą, sukibimą, sulūžusias dalis, sumontavimą ir kita, kas galėtų turėti neigiamos įtakos darbui. Jei apsauginis įrenginys ar kita detalė yra pažeista, ją pakeisti ar sutaisyti privalo tik įgaliotas techninės priežiūros centras, nebent šioje instrukcijoje nurodyta kitaip. Sugedusius jungiklius gali pakeisti tik įgalioti techninės priežiūros centro darbuotojai. Jei jungiklis blogai veikia, prietaiso nenaudokite.
- **Įspėjimas.** Kitų, šiame naudojimo vadove nerekomenduojamų priedų ar papildomų detalių naudojimas gali kelti sužalojimų pavojų.
- **Įrankį turi remontuoti tik kvalifikuotas specialistas.** Šis elektrinis įrankis atitinka susijusius saugos reikalavimus. Įrankį remontuoti turi tik kvalifikuotas asmuo, naudojantis originalias atsargines dalis; priešingu atveju, įrankis jį naudojančiam asmeniui gali kelti didelį pavojų.

ĮSPĖJIMAI DĖL OBLIUVIMO-DROŽIMO STAKLIŲ NAUDOJIMO SAUGOS

- Naudodami variklinį įrankį visada dėvėkite apsauginius akinius ir klausos apsaugos priemones.
- Dirbdami su pjovimo bloku ir šurkščiomis medžiagomis mėvėkite pirštines, jos sumažins pavojų susižeisti į aštrias briaunas.
- Dėvėkite kaukę nuo dulkių, jei tektų dirbti ten, kur išsiskiria dulkės.
- Prieš įjungdami patikrinkite, ar visi tvirtinimo varžtai gerai priveržti.
- Prieš atlikdami bet kokius reguliavimo darbus būtinai išjunkite variklį ir atjunkite nuo maitinimo šaltinio.
- Prieš darbą patikrinkite, ar visi apsauginiai įtaisai yra savo vietose.

- Prieš darbą atidžiai perskaitykite naudojimo instrukciją ir susipažinkite su įrenginiu.
- Stumdami ruošinį įrenginiu nenaudokite per daug jėgos. Leiskite įrenginui dirbti reikiamu tiekimo greičiu.
- Reguliariai tikrinkite tiekimo velenus ir įsitinkinkite, kad tarp jokių komponentų nejstrigo pjūvenų ar drožlių. Jei velenai nėra tinkamai įstatyti, tiekimo voleliai neprispaus medienos tvirtai prie pagrindo, todėl kils atatranks pavojus.
- Tikrinkite ir įsitinkinkite, kad obliuojant medieną velenų stalai yra toje pačioje plokštumoje kaip darbinis stalas ir kad velenai gali laisvai sukstis, kai obliuojate ilgus ruošinius.
- Šiuo įrenginiu galima obliuoti tik sausas medienos plokštes.
- Naudokite sveiką medieną be palaidų šakų ir su kuo mažesniu tvirtai besilaikančių šakų skaičiumi.
- Niekada nestovėkite vienoje linijoje su įvedimo ar išleidimo pusėmis. Visada stovėkite įrenginio šone.
- Įsitinkinkite, kad ruošinyje nėra vinių, varžtų, akmenų ir kitų pašalinių objektų, galinčių sugadinti geležtes.
- Įsitinkinkite, kad geležtės pritvirtintos tinkamai, kaip aprašyta instrukcijoje.
- Dirbdami su geležtėmis ir pjovimo galvutės bloku būkite atsargūs. Geležtės yra aštrios ir gali greitai sužeisti rankas.
- Prieš naudodami palaukite, kol pjovimo galvutė pasieks visą savo greitį.
- Ruošinio galui artėjant prie geležčių, stumkite jį stūmikliu, o ne rankomis. Nenaudojamą stūmiklį laikykite ant darbinio stalo.
- Naudokite tik tinkamai pagalastas ir prižiūretas geležtes.
- Naudokite tik šiam įrenginiui skirtas geležtes.
- Pasirūpinkite, kad prieš naudojimą obliavimo įrenginys būtų patikamai pritvirtintas. Obliuodami ilgus ruošinius skirkite papildomą dėmesį stabilumui.
- Geležtei judant neikiškite prie jos rankų.
- Nedarykite gilesnių kaip 3 mm (1/8 col.) įpjovų.
- Dėvėkite akių apsaugą, atitinkančią vietoje galiojančius saugos standartus.
- Neišiminkite užstrigusio ruošinio nesustojus geležtei ir prieš tai NEATJUNGĘ maitinimo.

Lietuviškai

▲ ĮSPĖJIMAS

Niekada neatlikite šių operacijų:

- Stabdomas darbas (t. y. neatlikite jokio pūvio ne per visą ruošinio ilgį)
- Įpjovų, smeigių ar formų obliavimas
- Labai išlinkusios medienos, nepakankamai liečiančios tiekimo stalą, obliavimas

APSAUGOS NUO ATATRANKOS SAUGIKLIAI

Žr. 2 pav.

- Apsaugos nuo atatrankos saugiklis – tai įtaisas, kuris, tinkamai jį sumontavus ir prižiūrint, turi apsaugoti nuo ruošinio atatrankos geležtės priekinės dalies link darbo metu.

VENKITE ATATRANKOS

- Visada naudokite tinkamą geležtės gylio nustatymą. Prieš pradėdami pjauti patikrinkite, ar ruošinyje nėra šakų ar vinių. Visas palaidas šakas išmuškite plaktuku. Niekada nepjaukite palaidos šakos arba vinies.
- Visada naudokite švarias, aštrias ir tinkamai nustatytas geležtes.
- Niekada nenaudokite įrenginio su atšipusiomis geležtėmis.
- Kad išvengtumėte geležčių suspaudimo, prieš pradėdami darbą tinkamai įtvirtinkite ruošinį.
- Obliuodami spauskite pastoviai ir tolygiai. Nestumkite ruošinio per jėgą.
- Neobliuokite drėgnos arba deformuotos medienos.
- Visada tvirtai laikykite ruošinį abiem rankomis, o kūnas turi būti pusiausvyros padėtyje ir pasiruošęs sulaukyti atatranką. Niekada nestovėkite vienoje linijoje su ruošiniu.

ŠALUTINIS PAVOJUS

Net naudojant gaminį griežtai pagal paskirtį neįmanoma visiškai atmesti kai kurių liktinių rizikos veiksnių. Kad sunkių sužeidimų pavojus būtų kuo mažesnis, šį gaminį naudojantis asmuo privalo atkreipti ypatingą dėmesį į šiuos punktus.

- Klausos pažeidimas – Dėvėkite tinkamą ausų apsaugą ir ribokite darbo šiuo gaminiu ar buvimą jam veikiant laiką.
- Regėjimo pažeidimas – Naudodami šį gaminį dėvėkite akių apsauginį skydą ar akinius.
- Kvėpavimo takų pakenkimas dulkelėmis, susidariusiomis naudojant gaminį – Priklausomai nuo dulkių tipo reikia dėvėti tinkamus apsauginius drabužius bei priemones.

PRIJUNGIMAS PRIE ELEKTROS ENERGIJOS ŠALTINIO

Šiame produkte yra preciziškai sumontuotas elektrinis variklis. Prietaisą reikia prijungti tik prie 220~240V, kintamosios srovės (įprasta srovė gyvenamuosiuose namuose) ir 50 Hz maitinimo šaltinio tinklo. Šio įrankio nenaudokite, jį prijungę prie nuolatinės srovės šaltinio. Dėl žymaus įtampos sumažėjimo dingsta elektra ir prietaisas perkaista. Jei jūsų prietaisas neveikia jį įjungus į kištukinį lizdą, dar kartą patikrinkite energijos tiekimą.

GREITIS IR LAIDŲ IŠVEDŽIOJIMAS

Šio įrankio apytikslis variklio be apkrovos greitis yra 9000 aps./min. Toks greitis nėra pastovus ir jis sumažėja esant apkrovai ar mažesnei įtampai. Įtampos atžvilgiu, laidų išvedžiojimas dirbtuvėse yra tiek pat svarbus, kaip ir variklio arklio jėgos. Laidas, skirtas tik šviesai, negali tinkamai atlaikyti elektrinio įrankio variklio. Laidas, kuris pakankamai sunkus trumpam atstumui, bus per lengvas didesniam atstumui. Laidas, pakankamas vienam elektriniam įrankiui, gali būti nepakankamas dviems ar trimis įrankiams.

Jeigu maitinimo laidas pažeistas, jį turi pakeisti tik gamintojas arba įgaliota techninės priežiūros įmonė, kad būtų išvengta pavojaus.

Produktą prijunkite tik prie tokios konfi gūracijos kištukinio lizdo, kaip ir kištukas. Su šiuo produktu nenaudokite adapterio.

Siekiant užtikrinti saugumą ir įrankio patikimumą, visi remonto darbai turi būti atliekami ĮGALIOTAME TECHNINĖS PRIEŽIŪROS CENTRE ar kitoje KVALIFIKUOTOJE TECHNINĖS PRIEŽIŪROS ĮMONĖJE.

Su įrenginiu naudojamoje grandinėje arba lizde reikia montuoti apsaugos nuo liekamosios srovės įtaisą (RCD). Yra kištukinių lizdų su įrengta likutinės srovės įtaiso (RCD) apsauga ir juos galima naudoti kaip saugumo priemonę.

Jei įrenginys prijungtas prie maitinimo tinklo naudojant ilgintuvą, užtikrinkite, kad įrenginio maitinimo laido ir ilgintuvo sujungimas nebūtų ant žemės. Papildomus įtaisy visada būtina jungti prie maitinimo šaltinio sienoje, o ne prie ilginamojo laido, prie kurio prijungtas elektrinių įrankio maitinimo laidas.

Jei neturite apsaugoto lizdo, nenaudokite įrenginio, kol nepakeisite lizdo arba neįsigysite papildomo apsauginio įtaiso. Šiuos papildomus apsaugos įtaisy galima įsigyti pas vietos pardavimo atstovą.

NESUMONTUOTŲ DALIŲ SĄRAŠAS

Elementas	Aprašymas	Kiekis
-----------	-----------	--------

Lietuviškai

2	Pjovimo galvutės aukščio reguliavimo rankenėlė	1
7	Pagrindo tvirtinimo varžtai	4
8	Kojelės	4
9	Pakėlimo rankenėlės fiksavimo varžtas	1
10	Stūmiklis	1
11	Geležtės nustatymo kalibras	1
12	Šešiakampis veržliaraktis	2
13	Veržliaraktis atvirais galais	1

MONTAVIMAS

OBLIAVIMO-DROŽIMO STAKLIŲ PERKĖLIMAS

Žr. 3 pav.

- Įrenginį galima nešioti naudojantis rankenomis, esančiomis abiejose rėmo pusėse. Prieš perkeldami įrenginį būtina uždarykite stalo ilgintuvus.

KOJELIŲ MONTAVIMAS

- Tvirtinkite kojeles kampuose įrenginio apačioje.

OBLIAVIMO-DROŽIMO STAKLIŲ MONTAVIMAS ANT MEDINIO PAGRINDO

Žr. 5–6 pav.

- Jei obliavimo-drožimo staklės nėra sumontuotos ant stovo, rekomenduojama pritvirtinti jas prie dviejų medinių kaladžių. Taip užtikrinsite maksimalų stabilumą.
- Pasirinkite dvi medienos kalades, jų dydį žr. iliustracijoje. Pritvirtinkite įrenginį prie medinio paviršiaus.
- Naudodami keturis pagrindo tvirtinimo varžtus (pateiktus) tvirtinkite obliavimo-drožimo stakles ant medinių kaladžių.

RUOŠINIŲ LAIKIKLIS

Žr. 7 pav.

- Ant obliavimo-drožimo staklių esantis ruošinių laikiklis padeda patogiai imti ruošinius ir atlikti pjovimo operacijas vieną po kitos. Operatorius gali lengvai paimti ant įrenginio sudėtus ruošinius ir juos obliuoti.

VEIKIMAS

ĮJUNGIMO / IŠJUNGIMO MYGTUKAS

Žr. 8 pav.

- Norėdami įjungti įrenginį, paspauskite mygtuką I. Norėdami išjungti, paspauskite mygtuką O.

⚠ ĮSPĖJIMAS

Prieš prijungdami obliavimo-drožimo stakles prie maitinimo tinklo įsitikinkite, kad jungiklis yra išjungimo padėtyje.

GRANDINĖS PERKROVOS JUNGIKLIS

Žr. 8 pav.

- Įrenginyje yra perkrovos jungiklis, užtikrinantis apsaugą nuo perkrovos. Įvykus perkrovai, šis jungiklis iššoka. Jei taip nutiko, kelias minutes palaukite ir paspausdami jungiklį nustatykite įrenginį iš naujo.

NUSTATYKITE PJOVIMO GYLĮ

Žr. 9 pav.

⚠ ĮSPĖJIMAS

Niekada neobliuokite daugiau nei 3 mm vienu prastūmimu ir nebandykite obliuoti plokštės, trumpesnės nei 127 mm (5 col.). Būtina užsidėkite apsauginę veido kaukę.

- Norėdami reguliuoti pjovimo gylį, sukite pjovimo galvutės aukščio reguliavimo rankenėlę kryptimi, parodyta ant obliavimo-drožimo staklių viršaus. Pjovimo gylio nustatymą galima patikrinti pjovimo gylio skalėje. Vieną kartą pasukus rankenėlę, gylis pakeičiamas 1,6 mm.
- Darbą visada pradėkite nuo negilaus obliavimo pjūvio. Vėliau pjūvio gylį galima didinti iki 3 mm, bet atminkite, kad pasirinkus mažesnę gylį išgaunamas lygesnis paviršius.
- Obliavimo-drožimo staklėmis judančio ruošinio storį lemia jūsų nustatytas atstumas tarp pjovimo geležtės ir stalo.
 - Neobliuokite plonesnio nei 7 mm medienos ruošinio.
 - Neobliuokite storesnio nei 153 mm (6 col.) medienos ruošinio.

REGULIUOKITE PJOVIMO GYLIO SKALĘ.

Žr. 9 pav.

Kad darbas obliavimo-drožimo staklėmis būtų saugus,



Lietuviškai

labai svarbu, kad pjovimo gylio skalės rodmenys būtų tikslūs. Norėdami reguliuoti pjovimo gylio skalę, atlikite toliau nurodytus veiksmus:

- Tiekite obliuotą plokštę.
Palyginkite išmatuotą plokštės storį su pjovimo gylio skalės rodmeniu.
- Jei pjovimo gylio skalės rodmuo neteisingas, atsukite varžtą, kuris laiko plastikinį žymeklį, ir atitinkamai sureguliuokite.
- Tinkamai nustatę gylio skalę, patikrinkite rodmenį obliuodami nereikalingą medienos ruošinį. Baigę obliuoti, matuokite nuobliuotą storį ir dar kartą palyginkite su skalės rodmeniu. Šie du rodmenys turi būti vienodi. Jei reikia, dar kartą reguliuokite pjovimo gylio skalę pagal obliavimo storį.

OBLIAVIMO-DROŽIMO STAKLIŲ GELEŽČIŲ IŠĖMIMAS

Žr. 10-12 pav.

Norėdami išimti geležtes, atlikite toliau nurodytus veiksmus:

ĮSPĖJIMAS

Prieš nuimdami geležtes atjunkite įrenginį nuo maitinimo tinklo.

- Nuimkite dulkių lataką prieš tai atsukę varžtus su vidiniu šešiakampiu.
- Atlaisvinkite fiksavimo juostą ir geležtę sukdamis spaudžiamuosius varžtus pagal laikrodžio rodyklę. Geležtes veikia spyruoklių jėga, todėl atlaisvinus montavimo bloką jos bus išstumtos.
- Išimkite geležtę, o tada geležtės fiksavimo juostą.

OBLIAVIMO-DROŽIMO STAKLIŲ GELEŽČIŲ MONTAVIMAS / KEITIMAS

Žr. 12 pav.

Norėdami montuoti geležtes, atlikite toliau nurodytus veiksmus:

- Išimkite geležtes vadovaudamiesi skyriumi „OBLIAVIMO-DROŽIMO STAKLIŲ GELEŽČIŲ IŠĖMIMAS“.
- Nuvalykite visas atplaišas nuo obliavimo-drožimo staklių pjovimo galvutės.
- Įstatykite geležtės fiksavimo juostą į lizdą pjovimo galvutėje.
- Dėkite geležtę į lizdą pjovimo galvutėje ir priveržkite fiksavimo juostos ir geležtės bloką sukdamis spaudžiamuosius varžtus prieš laikrodžio rodyklę. Įsitinkinkite, kad geležtė yra atsukta reikiama kryptimi ir

nustatyta lizdo centre.

- Nustatykite geležtės aukštį vadovaudamiesi skyriumi „GELEŽTĖS AUKŠČIO NUSTATYMAS“. Geležtės aukštį reikia iš naujo nustatyti kiekvieną kartą, kai geležtės dėl bet kokios priežasties išimamos.
- Sumontavę geležtes, būtinai įstatykite atgal dulkių lataką.

GELEŽTĖS AUKŠČIO NUSTATYMAS

Žr. 13-14 pav.

- Kad geležtė būtų išlindusi 1,1 mm, dėkite geležtės nustatymo kalibrą ant pjovimo galvutės; abu kreiptuvai turi būti tvirtai prispausti prie geležtės.
- Atlaisvinkite bloką atsukdami septynis spaudžiamuosius varžtus pagal laikrodžio rodyklę veržliarakčiu atvirais galais.
- Kai ant kalibro esantys kreiptuvai prispaudžia geležtę į reikiamą aukštį, priveržkite bloką sukdamis spaudžiamuosius varžtus prieš laikrodžio rodyklę. Įsitinkinkite, kad visi septyni spaudžiamieji varžtai yra gerai priveržti.

ĮSPĖJIMAS

Geležčių ašmenys labai jautrūs. Naudodami kalibrą šalia geležčių būkite atsargūs, kad jų nesugadintumėte.

ĮSPĖJIMAS

Bloką reikia patikimai priveržti, kad obliuodami išvengtumėte nelaimingų atsitikimų.

DULKIŲ SURINKIMO SISTEMOS PRIJUNGIMAS

Žr. 19 pav.

Šio įrankio naudojimo metu sukeltos dulkės gali būti žalingos jūsų sveikatai. Naudokite dulkių surinkimo sistemą ir kruopščiai išvalykite visas susikaupusias dulkes, pvz., dulkių siurbliu.

Norėdami prijungti dulkių surinkimo sistemą:

- Atjunkite įrankį nuo maitinimo šaltinio.
- Dulkių surinkimo sistemos antgalį prijunkite prie dulkių angos.

Dažnai valykite dulkių surinkimo sistemos žarnelę, kad išvengtumėte dulkių kaupimosi.

REGULIAVIMAS

PJOVIMO GALVUTĖS IR DARBINIO STALO LYGIAGRETUMO REGULIAVIMAS

Žr. 15-18 pav.



Lietuviškai

Obliuokite ruošinį ir matuokite storį, kai bus atliktas pjūvis. Jei storis skiriasi skirtinguose ruošinio galuose, atlikite toliau nurodytus veiksmus:

Reguliuokite pjoviklio veleną ir darbinį stalą, kad jie būtų lygiagretūs. Šiam tikrinimui reikalingi įrankiai parodyti 15 pav. Pasidarykite kietmedžio kalibrą, jo dydis parodytas paveikslėlyje. Reguliuokite, kaip aprašyta toliau.

- Nuimkite aukščio reguliavimo rankenėlę ir viršutinį bei šoninį dangčius (išsukę nustatymo varžtus), kad atsidengtų aukščio reguliavimo fiksuojamosios veržlės.
- Atsukite reguliavimo fiksuojamąsias veržles.
- Reguliuokite aukščio reguliavimo fiksuojamąsias veržles pakeldami arba nuleisdami, kad atitiktų kalibro bloką.
- Pasiekę norimą aukščio nustatymą, priveržkite fiksuojamąsias veržles toje padėtyje.
- Uždėkite atgal šoninį ir viršutinį dangčius bei įstatykite aukščio reguliavimo rankenėlę.

PASTABA: Prieš įjungdami įrenginį išimkite kalibrą.

Obliuojant medžiagos storis mažinamas iki norimo, kartu sukuriama lygų paviršių, lygiagretų su priešinga plokštės puse.

Siekiant tinkamai atlikti šią užduotį, svarbiausia yra tinkamai įvertinti pjovimo gylį įvairiose situacijose. Reikia atsižvelgti į šiuos aspektus:

1. Medienos plotį
2. Medienos kietumą
3. Medienos drėgnumą
4. Plokštės tiesumą
5. Pluošto kryptį
6. Pluošto struktūrą

Kokią įtaką šie veiksniai daro medžio kokybei, galima išmokyti tik įgyjant patirties. Kai dirbate su naujo tipo mediena arba kyla neįprastų problemų, pirmiausia atlikite bandomąjį pjovimą su nereikalingu ruošiniu ir tik tada pradėkite obliuoti reikiamą ruošinį.

PAPILDOMAS OBLIAVIMAS

Jei norimam apdailos storiui pasiekti reikia obliuoti papildomai, nustatykite pjovimo galvutę ne didesniai kaip 3 mm storiui (bet kurio etapu) ir atlikite dar vieną ciklą.

ĮSPĖJIMAS

Niekada neobliuokite daugiau nei 3 mm vienu pristūmimu ir nebandykite obliuoti plokštės, trumpesnės nei 127 mm (5 col.). Būtinai užsidėkite apsauginę veido kaukę.

PRIEŽIŪRA

ĮSPĖJIMAS

Prieš atliekant gaminio reguliavimo, tepimo ar priežiūros darbus, būtinai reikia patikrinti, ar kištukas ištrauktas iš maitinimo tinkle lizdo.

GELEŽTĖS GALANDIMAS

Prireikus pagalšti geležtę, galąskite tik pleišto pavidalo supeį.

SUTĖPIMAS

- Jei staklės naudojamos vidutiniu–mažu intensyvumu, velenų grandinių tepti nereikia, pakanka švariai jas nuvalyti. Jei darbo metu kaupiasi labai daug dulkių, drožlių ar pan., padenkite grandinę plonu alyvos sluoksniu, bet niekada nepilkite alyvos tiesiai ant grandinės. Naudojant per daug alyvos, pagreitėja dulkių ir drožlių kaupimasis ant grandžių, todėl jos greičiau dėvisi ir anksčiau reikia jas keisti. Ši rekomendacija taikoma greičio mažinimo ir aukščio reguliavimo grandinėms, taip pat pakėlimo varžtams.
- Pjovimo galvutės guoliai yra patepti gamykloje ir sandariai uždaryti. Jiems jokių priežiūros darbų nereikia.

REGULIARI TECHNINĖ PRIEŽIŪRA

- Susikaupus dulkelms ir kitoms atplaišoms, gali sumažėti obliavimo tikslumas. Kad obliavimas būtų tikslus, privaloma ir primygtinai rekomenduojama reguliariai valyti įrenginį.
- Suglaustas dalis, pvz., fiksavimo juostas ir pjovimo galvutės angas, reikia valyti šepečiu; pašalinkite visus prikibusius nešvarumus. Tada gražinkite visas dalis į jų vietą truputį sudrėkinę alyva.
- Naudodami nedegų tirpiklį nuvalykite sakus ir kitus nešvarumus nuo tiekimo velenų ir stalo.

GABENIMAS IR LAIKYMAS

Prieš transportuodami įrenginį atjunkite maitinimo laidą ir išmontuokite įrenginį. Neškite įrenginį naudodamiesi rankenomis, esančiomis abiejose rėmo pusėse. Laikykite gaminį saugioje, vaikams nepasiekiamoje vietoje.

Prieš padedant laikyti, gaminį reikia išvalyti šepečiu arba dulkių siurbliu.

Lietuviškai

APLINKOS APSAUGA



Žaliavines medžiagas perdirbkite pakartotinai, o ne išmeskite kaip atliekas. Mechanizmas, priedai ir pakuotės turi būti laikomi pakartotinai perdirbti aplinkai nekenksmingu būdu.

SIMBOLIAI



Saugos perspėjimas



CE atitiktis



Prieš pradėdant naudoti šį prietaisą, prašome atidžiai perskaityti šias instrukcijas.



II klasė, dviguba izoliacija



Dėvėkite klausos apsaugos priemones



Visada dėvėkite akių apsaugos priemones.



Ašmenų sukimosi kryptis



Maksimalus vieno prastūmimo obliavimo gylis



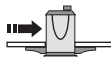
Minimalus obliavimo ilgis



Maksimalus obliavimo plotis



Obliavimo aukštis



Tiekimo greitis



Geležtės ilgis



Nuleisti geležtę



Pakelti geležtę



Elektrinių produktų atliekos neturi būti metamos kartu su namų ūkio atliekomis. Prašome perdirbkite jas ten, kur yra tokios perdirbimo bazės. Dėl perdirbimo patarimo kreipkitės į savo vietinę savivaldybę ar pardavėją.



Lietuviškai

GEDIMŲ ŠALINIMAS

Gedimas	Galima priežastis	Sprendimas
Pluošto raštas yra neryškus.	<ol style="list-style-type: none"> 1. Obliuojate drėgną medieną. 2. Atšipo geležtės. 	<ol style="list-style-type: none"> 1. Džiovinkite medieną. 2. Pagalškite geležtes.
Pluoštas išdraskomas.	<ol style="list-style-type: none"> 1. Pjaunate per stipriai. 2. Geležtės pjauna prieš pluoštą. 3. Atšipo geležtės. 	<ol style="list-style-type: none"> 1. Tikrinkite, ar tinkamas pjovimo gylis. 2. Tiekite ruošinį pagal pluoštą arba apsuokite ruošinį. 3. Pagalškite geležtes.
Pluoštas yra šiurkštus / iškilus.	<ol style="list-style-type: none"> 1. Atšipo geležtės. 2. Pjaunate per stipriai. 3. Per didelis drėgmės kiekis. 4. Sugadinti pjovimo galvutės guoliai. 	<ol style="list-style-type: none"> 1. Pagalškite geležtes. 2. Tikrinkite, ar tinkamas pjovimo gylis. 3. Džiovinkite medieną. 4. Pakeiskite guolius.
Skirtinguose šonuose skiriasi pjovimo gylis.	<ol style="list-style-type: none"> 1. Geležtė išlindusi netolygiai. 2. Pjovimo galvutė nesulygiuota su obliavimo-drožimo staklių pagrindu. 	<ol style="list-style-type: none"> 1. Reguluokite geležtės išlindimą. 2. Sulygiuokite pjovimo galvutę su stalu.
Plokštės storis neatitinka pjovimo gylio skalės.	<ol style="list-style-type: none"> 1. Pjovimo gylio skalė nustatyta netinkamai. 	<ol style="list-style-type: none"> 1. Reguluokite pjovimo gylio skalę.
Šokinėja grandinė.	<ol style="list-style-type: none"> 1. Nesulygiuoti krumpliaraičiai. 2. Nusidėvėję krumpliaraičiai. 	<ol style="list-style-type: none"> 1. Sulygiuokite krumpliaraičius. 2. Pakeiskite krumpliaratį.
Įrenginys neįsijungia / nepasileidžia iš naujo.	<ol style="list-style-type: none"> 1. Įrenginys neprijungtas prie maitinimo tinklo. 2. Variklio gedimas. 3. Atsilaisvino laidas. 4. Įvyko nustatymas iš naujo dėl perkrovos. 5. Variklio starterio gedimas. 	<ol style="list-style-type: none"> 1. Tikrinkite maitinimo tinklą. 2. Tikrinkite variklį. 3. Kreipkitės į įgaliotąjį priežiūros atstovą, kad patikrintų variklį. 4. Palaukite, kol įrenginys atvės, ir įjunkite iš naujo. 5. Kreipkitės į įgaliotąjį priežiūros atstovą, kad patikrintų variklio starterį.
Pakartotinai atsijungia jungtuvas ir variklis stabdomas.	<ol style="list-style-type: none"> 1. Ilginamasis laidas per ilgas arba per plonas. 2. Labai atšipo geležtės. 3. Tiekiami per žema įtampa. 	<ol style="list-style-type: none"> 1. Naudokite trumpesnį arba didesnio skerspjuvio ilginamąjį laidą. 2. Galąškite arba pakeiskite geležtes. 3. Tikrinkite įtampą.
Mediena netinkamai tiekiami.	<ol style="list-style-type: none"> 1. Obliavimo-drožimo staklių stalas nešvarus. 2. Sugadintas tiekimo velenas. 3. Sugadintas krumpliaratis. 4. Pavarų dėžės problemos. 	<ol style="list-style-type: none"> 1. Nuvalykite sakus ir likučius, patepkite obliavimo-drožimo staklių stalą. 2. Pakeiskite tiekimo veleną. 3. Pakeiskite krumpliaratį. 4. Tikrinkite pavarų dėžę.
Ruošinys įstrigo.	<ol style="list-style-type: none"> 1. Netinkamai nustatytas geležtės aukštis. 	<ol style="list-style-type: none"> 1. Nustatykite geležtę į tinkamą aukštį.





Eesti

KIRJELDUS

1. Pealmine kaitse
 2. Lõikepea kõrguse reguleerimise vânt
 3. Lõikesügavuse skaala
 4. Toitelüliti
 5. Ülekoormuse lüliti
 6. Laua pikendus
 7. Talla lukustuskruid
 8. Jalad
 9. Tõstenupu lukustuskruid
 10. Tõukepulk
 11. Lõiketera seadistuse mõõdik
 12. Kuuskantvõti
 13. Lehtmütrivõti
 14. Plastosuti
 15. Tolmurenn
 16. Kuuskantpesapeakruvid
 17. Survekruvid
 18. Lõiketera seadistuse mõõdik
 19. Lukustuslatt
 20. Kinnituskruvid
 21. Saeketass
 22. Vedru
 23. Pesapeakruvid
 24. Kõrguse reguleerimise mutter
- Paksushövelpingi juures on peetud esmatähtsaks ohutust, töövoimet ja töökindlust.

OTSTARBEKOHANE KASUTAMINE

Hövelpink on mõeldud puidu hõveldamiseks. Ärge kasutage seadet ühelgi muul viisil kui mainitud sihtotstarbeks.

OHUTUSE ÜLDESKIRJAD

⚠ HOIATUS

Elektritööriistade kasutamisel tuleb alati järgida üldisi ohutusnõudeid, et vähendada tulekahjust ja elektrilöögist tingitud ohtu ning vältida kehavigastusi. Lugege enne toote kasutama hakkamist kõik juhised läbi ja hoidke need alles.

- **Hoidke töökoht puhas.** Korratu ümbrus ja tööpink tingivad õnnetusi.
- **Võtke arvesse töökeskkonda.** Ärge jätke elektrilisi tööriistu vihma käes või niiskes kohas. Hoidke töökoht hästi valgustatud. Ärge kasutage tööriista kohtades, kus on kergsüttivaid vedelikke või gaase.
- **Kaitske end elektrilöögi eest.** Töötamisel hoiduge

kehalisest kontaktist maandatud pindadega (näiteks torude, radiaatorite, elektripliitide ja külmikutega).

- **Hoidke kõrvalised isikud eemal.** Ärge laske teistel, eriti lastel, kes on töösse kaasatud, tööriista või pikendusjuhet puudutada ja hoidke nad tööpiirkonnast eemal.
- **Hoidke mittekasutatavaid tööriistu hoiukohas.** Kui tööriista ei kasutata, siis tuleb seda hoida kuivas, lukustatud ruumis, lastele kättesaamatus kohas.
- **Ärge kasutage töötamisel liigset jõudu.** Õigesti valitud tööriist töötab paremini ja ohutumalt selles võimsuspiirkonnas, millele on see ette nähtud.
- **Kasutage õigeid lõikeriistu.** Ärge kasutage väiketööriistu tööks, mis nõuavad tugevdatud konstruktsiooniga tööriistu. Ärge kasutage muudeks otstarveteks, kui see on ette nähtud, näiteks ärge kasutage ketassaagi puuokste või ümarpuidu saagimiseks.
- **Kandke tööks sobivat riietust.** Ärge kandke lõtvu riietusesemed või ehteid, sest need võivad haakuda liikuvate osade külge. Väljas töötades on soovitatav kanda libisemiskindlaid jalatseid. Kandke peakatet, mis hoiab pikad juuksed kinni.
- **Kasutage isikukaitsevahendeid.** Kandke kaitseprille. Kui saagimisoperatsioonil eraldub tolmu, siis kandke näo- või tolmu maski.
- **Ühendage tolmuärastamise süsteem.** Kui tööriistal tuleb kasutada tolmu eraldamis- või kogumisseadisi, siis veenduge, et need on ühendatud ja nõuetekohases kasutuses.
- **Ärge kasutage toitejuhet nõuetevastaselt.** Ärge mingil juhul kasutage toitejuhet pistiku pesast väljatõmbamiseks. Hoidke toitejuhte eemale kuumusest, õlist ja teravatest servadest.
- **Kinnitage toorik.** Kui võimalik, kinnitage toorik pitskruvidega või kruustangide vahele. See on ohutum kui käte kasutamine.
- **Ärge küünitage end töötamisel liigselt välja.** Hoidke end pidevalt jalgadel ja tasakaalus.
- **Hooldage tööriistu hoolikalt.** Ohutuks töötamiseks hoidke lõikeketas terava ja puhtana. Järgige määrimise ja tarvikute vahetamise juhiseid. Kontrollige tööriista toitejuhte perioodiliselt üle ja kui avastate selle vigastuse, siis laske see pädevas hooldusasutuses ära parandada. Kontrollige pikendusjuhtmed perioodiliselt üle ja asendage kui need on vigastatud. Hoidke tööriista käepidemed kuivana, puhtana ja ärge laske neile sattuda õli või märet.
- **Ühendage tööriistad lahti.** Kui tööriista ei kasutata, enne kui seda hakatakse teenindama või tarvikuid näiteks lõiketerasid, otsakuid ja freese vahetama, ühendage seadme toide välja.





Eesti

- **Kõrvaldage reguleerimisrakised ja mutrivõtmed.** Kujundage endas harjumus enne sae käivitamist kontrollida, et kõik reguleerimisseadised ja mutrivõtmed on eemaldatud.
- **Vältige tahtmatut käivitumist.** Veenduge, et lüliti on enne pistikupessa ühendamist väljalülitatud asendis.
- **Kasutage välistingimusteks ettenähtud pikendusjuhtmeid.** Kasutage vaid välistingimustes kasutamiseks lubatud ja vastavalt markeeritud pikendusjuhtmeid.
- **Olge töötamisel tähelepanelik.** Vaadake ette mida teete, kasutage sealjuures tervet mõistust ja ärge kasutage tööriista kui olete väsinud.
- **Kontrollige vigastatud osad üle.** Enne vigastatud osaga tööriista edasist kasutamist tuleb see hoolikalt üle kontrollida ja kindlaks teha, kas see töötab õigesti ning täidab ettenähtud funktsiooni. Kontrollige liikuvate osade tsentreeritust, vaba liikumist, vigastusi, kinnituskohti ja muud, mis võivad tööd mõjustada. Vigastatud kaitseseadised ja osad tuleb lasta parandada või asendada pädeval hooldajal, kui kasutusjuhendis ei ole teisiti mainitud. Laske rikkis lülitid asendada volitatud teeninduskeskuses. Ärge kasutage seadet, kui lüliti ei lülita seda sisse ja välja.
- **Hoiatus.** Kasutusjuhendis soovimatata tarvikute või lisaseadmete kasutamine võib põhjustada tõsise kehavigastuse ohtu.
- **Laske oma tööriist parandada pädeval töötajal.** See elektritööriist vastab asjassepuutuvatele ohutusreeglitele. Remonttööd tohib teha ainult kvalifitseeritud isik, kasutades sealjuures originaalvaruosi, vastasel juhul võib ilmned kasutajale märkimisväärne oht.

HÖÖVELPINGI OHUTUSJUHISED

- Kui kasutate elektrilist tööriista, kandke alati kaitseprille ja kõrvakaitseid.
- Lõikepea ja karedate materjalide käsitlemise ajal kandke kindaid, et vähendada teravatest servadest põhjustatud vigastusi.
- Tolmustes kohtades töötamisel kandke näomaski või respiraatorit.
- Enne masina käivitamist kontrollige, et kõik kinnituskrivi on tugevasti kinni.
- Alati enne reguleerimistööd peatage mootor ja ühendage vooluallikast lahti.
- Veenduge, et kõik kaitsed on paigal, enne kui alustate töötamist.
- Enne töö alustamist lugege kasutusjuhend põhjalikult läbi ja tutvuge masinaga.
- Ärge suruge töödeldavat detaili jõuga läbi masina.

Laske tootel rakendada sobivat etteandekiirust.

- Aeg-ajalt kontrollige sööterullikuid ning veenduge, et osade vahel ei oleks saepuru ega laastusid. Kui rullikud ei ole kindlalt paigal, ei hoia sööterullikud puitu kindlalt vastu alust, mis võib põhjustada tagasilöögi.
- Kontrollige ja veenduge, et hõõveldades on rull-laagerdusega laud töölauga samal kõrgusel ning rullikud saavad vabalt pöörelda, kui te hõõveldate pikki detaile.
- Kasutage toodet ainult kuivade puitdetailide hõõveldamiseks.
- Kasutage täispuitu, millel ei ole pehkinud otsakohti ja võimalikult vähe kuivanud otsakohti.
- Ärge kunagi seiske otse sisseande- või väljaandepoolsel küljel. Seiske alati masina ühe poole kõrval.
- Veenduge, et töödeldavas detailis ei ole naelu, kruvisid, kive ega teisi võõrkehaseid, mis võivad kahjustada terasid.
- Veenduge, et lõiketerad on korralikult kinnitatud nagu juhendis kirjeldatud.
- Terade ja lõikepea ploki käsitlemisel olge ettevaatlik. Terad on teravad ja võivad kergesti kätte lõigata.
- Enne töö alustamist laske lõikepeal saavutada täiskiirus.
- Kui töödeldava detaili ots jõuab terade lähedale, kasutage detaili lükkamiseks käte asemel tõukepulka. Kui tõukepulka ei kasutata, peab seda hoidma töölaual.
- Kasutage hästi teritatud ja hooldatud terasid.
- Kasutage ainult selle toote jaoks mõeldud lõiketerasid.
- Veenduge, et hõõvelpink on enne kasutamist turvaliselt paigaldatud. Pikki töödetaile hõõveldades pöörake erilist tähelepanu stabiilsusele.
- Hoidke käed liikuvast lõiketerast eemal.
- Ärge lõigake sügavamalt kui 3 mm.
- Kandke kohalikele ohutusnormidele vastavat silmakaitset.
- Ärge eemaldage kinnijäänud tükke enne, kui saelint on seisma jäänud ja tööriist on välja lülitatud (OFF).

▲ HOIATUS

Ärge kunagi teostage järgmisi operatsioone:

- peatatud töö (st lõige, mis ei hõlma töödeldava detaili kogu pikkust)
- süvendite, tappide ja vormide hõõveldamine
- kaardus puidu lihvimine, kui kokkupuude etteandelauga on ebapiisav



Eesti

TAGASILÖÖGI PÕRKLINGID

Vaata joonist 2.

- Tagasilöögi põrklink on seadis, mis õigesti paigaldatuna ja hooldatuna peatab töö ajal töödeldava detaili tagasilöögi tera esikülje suunas.

TAGASILÖÖGI VÄLTIMINE

- Kasutage alati õiget tera lõikesügavust. Enne lõikamist kontrollige, et töödeldaval detailil ei ole oksakohti ega naelu. Lööge pehkinud oksakohad haamriga välja. Ärge kunagi lõigake pehkinud oksakohta ega naela.
- Kasutage alati puhtaid, teravaid ja korralikult paigaldatud terasid.
- Ärge kunagi kasutage toodet, kui terad on nürid.
- Enne toimingu teostamist kinnitage töödeldav detail õigesti, et vältida tera muljumist.
- Hõõveldamisel kasutage püsivat ja ühtlast survet. Ärge kunagi kasutage toote kalla jõudu.
- Ärge hõõveldage märga ega kaardus puitu.
- Alati hoidke töödeldavat detaili kindlalt mõlema käega, seiske stabiilselt ja kindlalt, et olla valmis tagasilöögi tõrjumiseks. Ärge kunagi seiske otse ühel joonel puidu liikumiseega.

JÄÄKRISKID

Isegi siis, kui seadet kasutatakse kirjeldatud viisil, ei ole võimalik kõrvaldada kõiki jääkriskide mõjureid. Kasutaja peab nendele pöörama erilist tähelepanu ja olema hoolikas, et kehavigastuse ohtu vähendada.

- Kuulmisorganite vigastused – Kandke sobivaid kuulmiskaitsevahendeid ja piirake müraga kokkupuudet.
- Silmade vigastused – Seadmega töötamisel kandke silmamaski või kaitseprille.
- Hingamisorganite kahjustused tingituna seadme kasutamisel tekkinud tolmu – Kandke kaitsevahendeid sõltuvalt tekkinud tolmu tüübist.

ELEKTRILINE ÜHENDAMINE

Värvipritsil on täppiskonstruktsiooniga elektrimootor. Seda tohib ühendada vaid toitevõrku 220~240 V, AC (tavaline tavavooluvõrgu pingeline), 50 Hz. Ärge ühendage seda seadet alalisvooluvõrku (DC). Kui pingeline tunduvalt langeb, siis see võib põhjustada võimsuskadu ja mootori ülekuumenemise. Kui seade pistikupessa ühendamisel tööle ei hakka, siis kontrollige vooluvõrku üle.

PÖÖRLEMISKIIRUS JA JUHTMESTIK

Selle tööriista pöörlemiskiirus on ligikaudu 9000 p/min. See kiirus ei ole muutumatu ja langeb koormuse tõstmisel või pingele langemisel. Töökohta toiteahela pingele mõjutab oluliselt mootori võimsust. Toiteliin, mis on ette nähtud vaid valgusti jaoks, ei ole piisava ristlõikega elektrilise tööriista mootori jaoks. Toitejuhe, mis on piisav lühikesel vahekaugusel kasutamiseks ei pruugi olla piisav pikemal kaugusel kasutamiseks. Toiteliini ristlõige, mis rahuldab ühe elektrilise tööriista vajadused, ei pruugi olla piisav kahe või kolme tööriista jaoks.

Kui toitejuhe on vigastatud, siis tuleb see lasta asendada tootja või klienditeenindaja poolt, et ohtusid vältida.

Seadet tohib ühendada vaid pistikupessa, mis vastab pistikule. Ärge kasutage selle toote ühendamisel vaheliitmikke.

Ohutuse ja töökindluse tagamiseks tuleb parandustööd lasta teha VOLITATUD HOOLDUSKESKUSES või MUUS PADEVAS HOOLDUSETTEVÕTTES.

Tootega peab kasutama rikkevoolukaitsega vooluahelat või toitepesa. Selle ohutusmeetme rakendamiseks võib kasutada pistikupesi, millesse on sisse ehitatud rikkevoolukaitse (RCD).

Kui te kasutate tootega pikendusjuhet, kontrollige, et tööriista voolujuhtme ja pikendusjuhtme ühenduskoht ei oleks maapinnal. Lisaseadmed peavad olema alati ühendatud seinakontaktile otse, mitte elektrilise tööriista pikendusjuhtmele.

Kui toitepesa ei ole kaitstud, ärge toodet kasutage, enne kui toitepesa on välja vahetatud või saadud lisakaitse. Need lisakaitseadised on hangitavad kohaliku edasimüüja käest.

LAHTISTE OSADE LOEND

Artikkel	Kirjeldus	Tk.
2	Lõikepea kõrguse reguleerimise vânt	1
7	Talla lukustuskravid	4
8	Jalad	4
9	Tõstenupu lukustuskruvi	1
10	Tõukepulk	1
11	Lõikekera seadistuse mõõdik	1
12	Kuuskantvõti	2
13	Lehtmütrivõti	1

Eesti

KOKKUPANEK

HÖÖVELPINGI TEISALDAMINE

Vaata joonist 3.

- Toodet saab teisaldada, kasutades raami mõlemal küljel olevaid sangasid. Enne toote teisaldamist veenduge, et laua pikendused on kinni.

JALGADE MONTEERIMINE

- Kinnitage jalad toote põhja alla nurkadesse.

HÖÖVELPINGI PAIGALDAMINE PUIDUST ALUSELE

Vt jooniseid 5-6.

- Kui hõõvelpink ei ole paigaldatud tugialusele, on soovitatav asetada see kahele puidust alusele. See tagab maksimaalse stabiilsuse.
- Valige kaks joonisel näidatud suurusega puidutükki. Asetage toote puidust pinnale.
- Kasutage nelja talla lukustuskrui (kaasas) ja kinnitage hõõvelpingi tald puidu külge.

TÖÖDELDAVATE DETAILIDE ALUS

Vaata joonist 7.

- Hõõvelmasina peal olev töödeldavate detailide alus on mugav vahend detailide käsitsemiseks järjestikuste lõikeoperatsioonide korral. Töötajal on kerge võtta masina peale asetatud töödeldavaid detaile hõõveldamiseks.

KASUTAMINE

„SISSEVÄLJA”-LÜLITI

Vaata joonist 8.

- Toote sisselülitamiseks vajutage nuppu I. Väljalülitamiseks vajutage nuppu O.

⚠ HOIATUS

Veenduge alati, et lüliti on asendis OFF, enne kui ühendate hõõvelpingi vooluallikaga.

VOOLUAHELA ÜLEKOORMUSLÜLITI

Vaata joonist 8.

- Ülekoormuse kaitseks on masinal ülekoormuslüliti. Ülekoormuse korral hüppab lüliti välja. Antud juhul oodake mõned minutid ja seejärel vajutage lülitit, et masinat lähtestada.

LÕIKESÜGAVUSE REGULEERIMINE

Vaata joonist 9.

⚠ HOIATUS

Ärge kunagi hõõveldage rohkem kui 3 mm ühe etteande ajal ja ärge kunagi proovige hõõveldada lühemaid kui 127 mm laudu. Kandke alati näokaitset.

- Lõikesügavuse reguleerimiseks pöörake lõikepea kõrguse reguleerimise vända hõõvelmasina peal märgitud suundadesse. Lõikesügavuse näit on näha lõikesügavuse skaalal. Reguleerimisaste muutub 1,6 mm vända ühe pöörde puhul.
- Tööd alustades eemaldage alati õhuke kiht. Järgmiste läbilaskmiste lõikesügavust võib suurendada korraga kuni 3 mm, kuid pidage meeles, et õhukeste lõigetega saavutate parema tulemuse kui sügavate lõigetega.
- Hõõvelmasinast läbi mineva puidu paksus sõltub vahemaast, mis jääb lõiketera ja laua vahele.
 - Ärge hõõveldage puitu paksusega alla 7 mm.
 - Ärge hõõveldage puitu, mis on paksem kui 153 mm.

REGULEERIGE LÕIKESÜGAVUSE SKAALA NÄITU.

Vaata joonist 9.

Hõõvelmasina ohutuks töötamiseks on väga tähtis, et lõikesügavuse skaala on täpne. Lõikesügavuse skaala reguleerimiseks, järgi järgmisi samme:

- Asetage töödeldav detail tööpingile. Võrrelge detaili mõõdetud paksust lõikesügavuse skaala näiduga.
- Kui lõikesügavuse skaalal olev näit on vale, keerake plastosutit pingutav kruvi lahti ja reguleerige näitu.
- Kui lõikesügavuse skaala on õigeks reguleeritud, kontrollige näitu, kasutades hõõveldamiseks puidujäätmee tükikest. Pärast hõõveldamist mõõtk saavutatud hõõveldamisepaksus ära ja võrrelge lõikesügavuse skaala näiduga. Need kaks mõõtu peavad olema ühesugused. Vajadusel reguleerige veelkord lõikesügavuse skaalat.

HÖÖVELPINGI TERADE EEMALDAMINE

Vt jooniseid 10-12.

Terade eemaldamiseks toimige alljärgnevalt:

⚠ HOIATUS

Enne terade eemaldamist võtke toode toitevõrgust välja.



Eesti

- Eemaldage tolmurenn, keerates sellelt ära neli kuuskantpesapeakruvi.
- Vabastage lukustuslatt ja tera, keerates survekruvisid päripäeva. Terad on vedrudega ja tulevad välja, kui ühendus lahti keerata.
- Võtke välja tera ja seejärel tera lukustuslatt.

HÖÖVELPINGI TERADE PAIGALDAMINE / VAHETAMINE

Vaata joonist 12.

Terade paigaldamiseks toimige alljärgnevalt:

- Eemaldage terad vastavalt osas „HÖÖVELPINGI TERADE EEMALDAMINE“ antud juhistelet.
- Pühkige ära hõõvelpingi lõikepeal olev praht.
- Paigaldage tera lukustuslatt lõikepea pilusse.
- Paigaldage tera lõikepea pilusse ning kruvige lukustuslati ja tera ühendus kinni, keerates survekruvisid vastupäeva. Veenduge, et tera paikneb õiges suunas ja asub pilu keskel.
- Sättige terade kõrgus vastavalt osas „TERA KÕRGUSE SEADISTAMINE“ antud juhistelet. Tera kõrgust peab sätima iga kord, kui terad mingil põhjusel välja võetakse.
- Pärast terade paigaldamist ärge unustage tolmurenni tagasi panna.

TERA KÕRGUSE SEADMINE

Vt jooniseid 13-14.

- Et terad eenduksid 1,1 mm, asetage lõiketera seadistuse mõõdik lõikepeale, nii et mõlemad juhikud on tihedalt vastu tera.
- Lõdvendage ühendust, keerates lehtmtrivõtmega seitse survekruvi päripäeva.
- Kui tera on mõõdiku juhikute abil surutud soovitud kõrgusele, kinnitage ühendus, keerates survekruvisid vastupäeva. Veenduge, et kõik seitse survekruvi on turvaliselt kinni.

⚠ HOIATUS

Tera servadele tekivad kergesti täkked. Olge ettevaatlik, kui kasutate mõõdikut terade lähedal, et vältida terade kahjustamist.

⚠ HOIATUS

Ühendus tuleb turvaliselt kinnitada, et vältida hõõveldamise ajal õnnetusi.

TOLMUKOGUMISSÜSTEEMI ÜHENDAMINE

Vaata joonist 19.

Selle masinaga töötamisel tekkiv tolm võib olla tervisele ohtlik. Kasutage tolmumamissüsteemi ja eemaldage põhjalikult kogu kogunenud tolm (nt tolmuimejaga).

Tolmukogumissüsteemi ühendamiseks:

- Tõmmake pistik pistikupesast välja.
- Ühendage tolmu kogumissüsteemi otsak tolmuavale.

Puhastage tihti tolmu kogumissüsteemi voolikut, et vältida tolmu kogunemist.

REGULEERIMINE

LÕIKEPEA JA TÖÖLAUA SEADMINE PARALLEELSE-TEKS

Vt jooniseid 15-18.

Hõõveldage töödeldavat detaili ja mõõtke seejärel selle paksus. Kui paksus on töödeldava detaili kummalgi poolel erinev, toimige järgmiselt:

Reguleerige tera völi ja töölaud paralleelseteks. Reguleerimiseks vajalikud vahendid on näidatud joonisel 15. Tehke lehtpuupuidust kontrollklots, vastavalt joonisel näidatud mõõtudele. Reguleerige vastavalt järgmistele sammudele.

- Eemaldage kõrguse reguleerimise vänt ning pealmine kate ja küljekatted. Selleks keerake pesapeakruvid lahti, et pääseksite ligi kõrguse reguleerimise mutritele.
- Lõdvendage reguleerimismutreid.
- Reguleerige kõrguse reguleerimise mutreid kas üles- või allapoole vastavalt kontrollplokiile.
- Kui on saavutatud soovitud kõrgus, keerake lukustusmutrid kinni.
- Monteerige küljekatted ja pealmine kate kohale ning asetage tagasi kõrguse reguleerimise vänt.

MÄRKUS: Enne masina käivitamist eemaldage kontrollplokk.

Paksushõõveldamine tähendab materjali töötlemist soovitud paksuseni, tekitades sileda pinna, mis on paralleelne laua vastasküljega.

Paksushõõveldamisoskus tähendab peamiselt oskust kasutada erinevates olukordades head otsustusvõimet õige lõikesügavuse osas. Arvestada tuleb järgmisega:

1. Puidu laius
2. Puidu tugevus
3. Puidu niiskusaste
4. Laua sirgjoonelisus
5. Puidusüü suund
6. Puidu tekstuur

Kuidas need tegurid võivad mõjutada töö kvaliteeti, saab



Eesti

õppida ainult kogemuse kaudu. Iga kord, kui töotate uut liiki puiduga või kasutate ebatavaliste omadustega puitu, tehke alati enne tegeliku detaili hõõveldamist proovilõiked jäätmetega.

LISAHÕÕVELDAMINE

Kui on vajalik teha lisahõõveldamine, et saavutada soovitud lõpp-paksus, reguleerige lõikepead käsitsi mitte rohkem kui 3 mm korraga ja laske detail uuesti masinast läbi.

⚠ HOIATUS

Ärge kunagi hõõveldage rohkem kui 3 mm ühe etteande ajal ja ärge kunagi proovige hõõveldada lühemaid kui 127 mm laudu. Kandke alati näokaitset.

HOOLDUS

⚠ HOIATUS

Enne reguleerimist, määrimistööde või muude masina hooldustööde alustamist veenduge, et pistik on pistikupesast välja võetud.

TERA KORDUVTERITAMINE

Kui tera on vaja uuesti teritada, on lubatud teritada ainult kaldserva.

MÄÄRIMINE

- Keskmise või vähese kasutamise korral pühkige rullkett lihtsalt puhtaks. Kui on kogunenud ülemääraselt tolmu, hõõvllaaste vms, katke kett õhukese õlikihiga, kuid ärge kunagi valage õli otse ketile. Liigne õlitamine kipub kiirendama tolmu ja hõõvllaastude kogunemist ning viib need ketilülide vahele. See põhjustab keti suuremat kulumist ja enneaegset asendamist. See mõjutab kiiruse vähenemist ja kõrguse reguleerimise kette ning ka tõstekruvisid.
- Lõikepea laagrid on tehases õlitatud ja kinnised. Neid ei ole vaja enam hooldada.

PERIOODILINE HOOLDUS

- Kogunenud saepuru ja muu praht võivad takistada masina korralikku töötamist. Täpse hõõveldamistulemuse saamiseks on kohustuslik ja väga soovitatav teha perioodilist hooldust.
- Kinniseid osi (nt lukustusribad ja hõõvelmasina lõikepea pilud) peab puhastama harjaga ning eemaldama sinna kinnijäänud võõrmaterjalid. Seejärel pange kõik veidi õlitatud osad tagasi oma kohtadele.

- Kasutage mittesüttivat lahustit ning eemaldage sööterullikutelt ja lauait vaik ning muu sinna kogunenud mustus.

TRANSPORTIMINE JA HOIUSTAMINE

Toote transportimiseks ühendage toitejuhe lahti ja demonteerige toode. Toote teisaldamiseks kasutage raami mõlemal küljel olevaid sangasid. Hoidke seadet kaitstud kohas, mis on lastele juurdepääsmatu.

Enne hoiustamist puhastage seade harja või tolmuimejaga.

KESKKONNAKAITSE



Taaskasutage materjale nende jäätmekäitluse andmise asemel. Masin, selle liseseadmed ja pakend tuleb jäätmekäitluseks keskkonnasõbralikult sorteerida.

SÜMBOL



Ouhuoiatus



CE-vastavus



Lugege enne masina kasutamist juhised hoolikalt läbi.



Klass II, topeltisolatsiooniga



Kandke kuulmise kaitsevahendeid



Kandke alati silmakaitsevahendeid.



Tera pöörlemissuund



Maksimaalne hõõveldamissügavus ühe etteande kohta



Minimaalne hõõveldamisipikkus

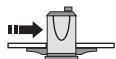
Eesti



Maksimaalne hõõveldamislaius



Hõõveldamiskõrgus



Etteandekiirus



Saelehe pikkus



Laske lõiketera alla



Tõstke lõiketera



Mittekasutatavaid elektritooteid ei tohi visata olmejäätmete hulka. Vaid tuleb viia vastavasse kogumispunkti. Vajadusel küsige sellekohast nõu oma edasimüüjalt või vastavalt kohaliku omavalitsuse institutsioonilt.





Eesti

VEAOTSING

Ilming	Võimalik põhjus	Lahendus
Puidusüü on pinnuline.	<ol style="list-style-type: none"> Kõrge niiskusesisaldusega puidu hõõveldamine. Terad on nürid. 	<ol style="list-style-type: none"> Kuivatage puit ära. Teritage terad.
Puidusüü on katki.	<ol style="list-style-type: none"> Lõige on liiga sügav. Terad lõikavad vastu puidusüü suunda. Terad on nürid. 	<ol style="list-style-type: none"> Seadke õige lõikesügavus. Söötke töödeldav detail puidusüüga ühes suunas või pöörake detail ringi. Teritage terad.
Puidusüü on kare.	<ol style="list-style-type: none"> Terad on nürid. Lõige on liiga sügav. Niiskuse tase on liiga kõrge. Lõikepea laagrid on kahjustatud. 	<ol style="list-style-type: none"> Teritage terad. Seadke õige lõikesügavus. Kuivatage puit ära. Vahetage laagrid välja.
Ebaühtlane lõikesügavus.	<ol style="list-style-type: none"> Tera eend ei ole ühtlane. Lõikepea ei ole hõõvelpingiga paralleelne. 	<ol style="list-style-type: none"> Reguleerige tera eendit. Seadke lõikepea lauaga paralleelseks.
Laua paksus ei vasta lõikesügavuse skaala näidule.	<ol style="list-style-type: none"> Lõikesügavuse skaala näit on vale. 	<ol style="list-style-type: none"> Reguleerige lõikesügavuse skaala näitu.
Kett hüpleb.	<ol style="list-style-type: none"> Ketirattad ei ole kohakuti. Ketirattad on kulunud. 	<ol style="list-style-type: none"> Joondage ketirattad. Vahetage ketiratas välja.
Tööriist ei käivitu / taaskäivitu.	<ol style="list-style-type: none"> Tööriist ei ole pistikusse ühendatud. Mootor tõrgub. Juhe on lahti. Ülekoormuse lähtestamine ebaõnnestus. Mootorikäiviti tõrgub. 	<ol style="list-style-type: none"> Kontrollige toiteallikat. Kontrollige mootorit. Laske volitatud teenindustöötajal kontrollida mootorit. Laske masinal maha jahtuda ja käivitage uuesti. Laske volitatud teenindustöötajal kontrollida mootorikäiviti.
Korduv vooluringist väljalülitumine, mis põhjustab mootori seiskumise.	<ol style="list-style-type: none"> Pikendusjuhe on liiga pikk või liiga peenike. Terad on liiga nürid. Töötamine madalpingel. 	<ol style="list-style-type: none"> Kasutage lühemat või jämedamat pikendusjuhet. Teritage terasid või vahetage välja. Kontrollige pinget.
Puidu etteanne on kehv.	<ol style="list-style-type: none"> Hõõvelpingi laud on must. Sööterullik on kahjustatud. Ketiratas on kahjustatud. Käigukasti talitlushäire. 	<ol style="list-style-type: none"> Puhastage vaik ja jäätmed ära ning määrige hõõvelpingi lauda. Vahetage sööterullik välja. Vahetage ketiratas välja. Kontrollige käigukasti.
Töödeldav detail on kinni kiilunud.	<ol style="list-style-type: none"> Tera kõrgus ei ole sobiv. 	<ol style="list-style-type: none"> Seadke tera õigele kõrgusele.





Hrvatski

OPIS

1. Gornji štitnik
2. Ručica za podešavanje visine rezne glave
3. Mjerilo dubine reza
4. Sklopka za napajanje
5. Prekidač za preopterećenje
6. Produžetak stola
7. Vijci za pričvršćivanje podnožja
8. Stopice postolja
9. Vijak za blokiranje gumba za podizanje
10. Dio za guranje radnog komada
11. Mjerilo za postavljanje noža
12. Ključ sa šesterkutnom glavom
13. Viličasti ključ
14. Plastični pokazivač
15. Žlijeb za piljevinu
16. Vijci s glavom sa šestostranim upustom
17. Vijci za stezanje
18. Mjerilo za postavljanje noža
19. Šipka za blokiranje
20. Vijci za blokiranje
21. Oštricas
22. Opruga
23. Inbus vijci
24. Matica za podešavanje visine

U dizajnu vaše blanje-debljače vodeću ulogu imaju sigurnost, performanse i pouzdanost.

NAMJENA

Stroj je namijenjen blanjanju drva.

Nemojte koristiti ovaj proizvod na bilo koji drugi način od onog za koji je namijenjen.

OPĆA SIGURNOSNA PRAVILA

⚠ UPOZORENJE

Kako biste smanjili opasnost od požara, strujnog udara i osobnih ozljeda prilikom korištenja električnih alata, uvijek se valja pridržavati osnovnih mjera opreza. Prije pokušaja korištenja ovog uređaja pročitajte i spremite sve upute.

- **Održavajte radno područje čistim.** Zatrpana radna područja i stolovi dovode do ozljeda.
- **Uzmite u obzir radno okruženje.** Alat nemojte izlagati kiši. Nemojte koristiti alate u vlažnim ili mokrim mjestima. Držite radni prostor dobro osvijetljen. Nemojte koristiti alate u prisutnosti zapaljivih tekućina ili plinova.

- **Zaštitite se od strujnog udara.** Izbjegavajte kontakt tijela s uzemljenim površinama (poput cijevi, radijatora, štednjaka i hladnjaka).
- **Držite podalje ostale osobe.** Nemojte dopustiti osobama, posebice djeci, da se uključe u rad, dodiruju alat ili produžni kabel, te ih držite dalje od područja rada.
- **Skladištite prazne alate.** Kada se ne koristi, alat treba skladištiti na suhom i zaključanom mjestu izvan dosega djece.
- **Nemojte alat koristiti iznad njegovih mogućnosti.** Uređaj će bolje i sigurnije raditi na brzini za koju je konstruiran.
- **Koristite pravi alat.** Nemojte forsirati male alate da rade poslove teških alata za rad. Nemojte koristiti alate za svrhe za koje nisu namijenjeni, primjerice, nemojte koristiti cirkularnu pilu za rezanje grana balvana ili trupaca.
- **Pravilno se odjenite.** Nemojte nositi široku odjeću ili nakit; mogu biti zahvaćeni pokretnim dijelovima. Preporuča se da prilikom rada na otvorenom nosite obuću sa zaštitom od klizanja. Nosite i zaštitu za kosu kako biste pokrili dugu kosu.
- **Koristite zaštitnu opremu.** Koristite zaštitne naočale. Ako rad stvara prašinu koristite zaštitnu masku za lice.
- **Priključite sustav za izbacivanje prašine.** Ako su alati opremljeni s priključkom aparata za odvajanje i prikupljanje prašine, osigurajte da su oni priključeni i pravilno korišteni.
- **Nemojte zlorabiti kabel.** Nikada ne povlačite kabel za isključivanje iz utičnice. Držite kabel podalje od topline, ulja i oštrih rubova.
- **Siguran rad.** Kad je moguće, koristite spojnice ili škrip za držanje izratka. Sigurnije je nego korištenje vaše ruke.
- **Nemojte se naginjati preko rubova.** Cijelo vrijeme držite pravilno uporište i ravnotežu.
- **Pažljivo održavajte alat.** Držite alat za rezanje naoštrenim i čistim radi boljeg i sigurnijeg rada. Slijedite upute za podmazivanje i promjenu dodatnog pribora. Povremeno provjerite kabele alata i ako su oštećeni neka ih popravi ovlašteni servisni centar. Povremeno provjerite i zamijenite produžne kabele ako su oštećeni. Održavajte ručke suhim, čistim i da na njima nema ulja i masti.
- **Isključite alate.** Kada nije u upotrebi, prije servisiranja ili kada mjenjate priključke poput oštrica, svrdla i rezača, isključite alate iz napajanja.
- **Uklonite ključeve za ugađanje i ključeve.** Zbog navike provjeravanja pogledajte da li su ključevi i ključevi za ugađanje uklonjeni s alata prije nego što ga uključite.





Hrvatski

- **Izbjegavajte slučajno pokretanje.** Provjerite je li prekidač u položaju "off" (isključeno) prilikom uključivanja.
 - **Koristite produžne kabele za korištenje na otvorenom.** Prilikom korištenja alata na otvorenom, rabite samo produžne kabele koji su namijenjeni za korištenje na otvorenom i tako su označeni.
 - **Budite na oprezu.** Gledajte to što radite, pri radu s električnim alatom koristite zdrav razum i ne radite s alatom kad ste umorni.
 - **Zamijenite oštećene dijelove.** Prije daljnjeg korištenja alata treba se pažljivo provjeriti da se odredi da li će pravilno raditi i izvoditi njihovu namjensku funkciju. Provjerite spojeve pokretnih dijelova, povezanost pokretnih dijelova, puknuća dijelova, montiranost i bilo koje druge uvjete koji mogu utjecati na njihov rad. Štitnik ili drugi dio koji je oštećen treba pravilno popraviti ili zamijeniti od strane ovlaštenog servisnog centra osim ako drugačije nije naznačeno u ovim uputama za rukovanje. Sklopku u kvaru zamijenite u ovlaštenom servisnom centru. Nemojte koristiti alat ako ga sklopka pravilno ne uključuje i isključuje.
 - **Upozorenje.** Korištenje bilo kakvog dodatnog pribora ili priključka osim preporučenih u ovim uputama za upotrebu može dovesti do opasnosti od osobnih ozljeda.
 - **Neka vaš alat servisira kvalificirana osoba.** Ovaj električni alat u skladu je s relevantnim pravilima o sigurnosti. opravke treba izvoditi samo ovlašteni serviser korištenjem originalnih rezervnih dijelova, u suprotnom ovo može rezultirati zabrinjavajućom opasnošću po korisnika.
- SIGURNOSNA UPOZORENJA ZA BLANJU**
- Prilikom korištenja električnog alata uvijek koristite zaštitne naočale i rukavice.
 - Prilikom rukovanja reznim blokom i grubim materijalima nosite zaštitne rukavice kako biste smanjili rizik od ozljeda zbog oštih rubova.
 - Ako se pri korištenju stvara prašina, dobro je da nosite zaštitu za lice ili masku.
 - Prije pokretanja stroja provjerite jesu li svi pričvrtni vijci dobro zategnuti.
 - Prije izvođenja bilo kakvih podešavanja obavezno uvijek prvo zaustavite motor i isključite stroj s napajanja.
 - Prije rukovanja strojem provjerite jesu li svi štitnici na mjestu.
 - Prije rada temeljito pročitajte korisnički priručnik i upoznajete se sa strojem.
 - Nemojte silom gurati radni komad kroz stroj. Pustite da stroj primjeni odgovarajuću brzinu ulaganja materijala.
 - Povremeno provjerite valjke za dovod materijala kako biste bili sigurni da između komponenata uređaja nema zaglavljenih strugotina ili piljevine. Ako valjci nisu čvrsto na svom sjedištu, neće moći čvrsto držati drvo na podlozi, što omogućava stvaranje povratnog udara.
 - Provjerite i uvjerite se u to da su prilikom blanjanja drva valjci u istoj ravnini s radnim stolom te da se mogu slobodno okretati prilikom blanjanja dugačkih radnih komada.
 - Proizvod koristite samo za blanjanje suhih drvenih dasaka.
 - Koristite dobro drvo, bez ispadajućih čvorova i sa što manje zdravih čvorova.
 - Nikada nemojte stajati u liniji s ulazom ili izlazom materijala. Prilikom rada uvijek stojte s bočne strane stroja.
 - Provjerite radni komad: ima li u njemu čavala, vijaka, kamenja i drugih stranih tijela koja mogu oštetiti noževe.
 - Provjerite jesu li noževi pravilno pričvršćeni, na način prikazan u uputama.
 - Budite pažljivi prilikom rukovanja noževima i sklopom rezne glave. Noževi su oštri, lako se možete porezati.
 - Prije rezanja pustite da rezna glava postigne punu brzinu.
 - Radni komad koji se nalazi blizu oštrica nemojte gurati rukama, već za to koristite predviđeni dio za guranje. Kada nije u upotrebi, dio za guranje radnog komada spremite na radni stol.
 - Noževi stroja moraju biti dobro naoštreni i pravilno održavani.
 - Koristite samo rezne noževe namijenjene ovom proizvodu.
 - Prije uporabe uvijek provjerite je li stroj sigurno pričvršćen. Pri blanjanju dužih komada osobitu pažnju posvetite stabilnosti.
 - Ruke držite dalje od noža stroja u pokretu.
 - Nemojte raditi rezove dublje od 3 mm (1/8").
 - Za vrijeme rada nosite zaštitu za oči koja zadovoljava lokalne sigurnosne standarde.
 - Nemojte pokušavati ukloniti zaglavljene radne komade dok se nož uređaja još uvijek kreće i dok je uređaj UKLJUČEN.



Hrvatski

⚠ UPOZORENJE

Nikada nemojte činiti sljedeće:

- Zaustavljati postupak (npr. rezanje nepotpune dužine radnog komada)
- Blanjati preko udubina, klinova ili reljefa
- Blanjati loše savijeno drvo koje nije u potpunom kontaktu sa stolom za ulaganje materijala

ZAPINJAČI PROTIV POVRATNOG UDARA

Pogledajte sliku 2.

- Zapinjač protiv povratnog udara je uređaj koji, ako je montiran i održavan na pravilan način, zaustavlja radni komad u slučaju povratnog udara prema prednjem dijelu noža za vrijeme rada stroja.

IZBJEGAVANJE POVRATNOG UDARA

- Uvijek koristite ispravnu postavku dubine noža. Pregledajte ima li u radnom komadu čavala ili čvorova. Čekićem izbijte sve ispadajuće čvorove. Nikada nemojte rezati u ispadajući čvor ili u čavao.
- Uvijek koristite čiste, oštre i ispravno podešene noževe.
- Nikada nemojte koristiti proizvod s tupim noževima.
- Kako biste izbjegli priklještenje noža, prije rada poduprite radni komad na ispravan način.
- Pri blanjanju primjenjujte ravnomjeran i stabilan pritisak. Nikada nemojte silom gurati proizvod kroz stroj.
- Nemojte blanjati mokro ili uvijeno drvo.
- Radni komad uvijek čvrsto držite s obje ruke, tijelo postavite u stabilan položaj kako biste bili spremni oduprijeti se mogućem povratnom udaru. Nikada nemojte stajati u samoj liniji s radnim komadom.

PREOSTALE OPASNOSTI

Čak i kad je proizvod korišten kao što je prethodno opisano, još uvijek nije moguće potpuno isključiti ostale čimbenike opasnosti. Operator mora obratiti posebnu pozornost i dodatnu pažnju ovim točkama kako bi smanjio opasnost od ozbiljnih osobnih ozljeda.

- Ozljede sluha – Nosite odgovarajuću zaštitu za sluh i ograničite izloženost
- Ozljede vida – Nosite štitnike za oči ili naočale kada koristite proizvod.
- Ozljede respiratornog sustava od prašine stvorene radom proizvoda – Nosite prikladnu zaštitu ovisno o vrsti prašine.

ELEKTRIČNI PRIKLJUČAK

Ovaj uređaj pogonjen je ugrađenim preciznim električnim motorom. Treba biti priključen na napajanje koje je od 220~240V, samo AC (uobičajena struja u kućanstvu), 50 Hz. Ne radite s ovim uređajem na istosmjernoj struji (DC). Značajni pad napona uzrokuje gubitak snage i pregrijavanje motora. Ako uređaj ne radi kad je uključen u utičnicu, provjerite napajanje.

BRZINA I OŽIČENJE

Brzina bez opterećenja ovog alata je približno 9.000 o/min. Ova brzina nije konstantna i smanjuje se pod opterećenjem ili uz smanjenje napona. Za napon, ožičenje u trgovini je važno radi konjskih snaga motora. Vod namijenjen samo za rasvjetu ne može pravilno nositi motor električnog alata. Žica koja je dovoljno teška za kratku udaljenost bit će prelagana za veće udaljenosti. Vod koji podržava jedan električni alat možda ne bude u mogućnosti podržati dva ili tri alata.

Ako je kabel za napajanje oštećen, mora ga zamijeniti samo proizvođač ili ovalšteni servisni centar kako bi se izbjegla opasnost.

Ovaj proizvod priključite samo na utičnicu koja ima istu konfi guraciju kao utikač. Nemojte koristiti adapter s ovim uređajem.

Za maksimalnu sigurnost i pouzdanost, sve popravke treba obaviti u ovlaštenom RYOBI servisu.

U električne krugove ili utičnice koji se koriste s ovim proizvodom potrebno je ugraditi zaštitni uređaj diferencijalne struje (RCD sklopku). Izlazi su na raspolaganju s ugrađenom RCD zaštitom i mogu se koristiti za ovo mjerenje sigurnosti.

Ako se proizvod uključuje u produžni kabel, osigurajte da spoj naponskog voda stroja i utičnice produžnog kabela ne leži na zemlji. Pomoćni uređaji uvijek trebaju biti uključeni u zidnu utičnicu, a ne u priključak produžnog kabela i kabel za napajanje električnog alata.

Ako nije raspoloživa utičnica sa zaštitom diferencijalne struje, nemojte koristiti proizvod sve dok ne nabavite utičnicu sa zaštitom ili pomoćni zaštitni uređaj. Ovaj pomoćni zaštitni uređaj je dostupan kod vašeg lokalnog dobavljača.

POPIS RASTAVLJIVIH DIJELOVA

Dio br.	Opis	Kol.
2	Ručica za podešavanje visine rezne glave	1
7	Vijci za pričvršćivanje podnožja	4

Hrvatski

8	Stopice postolja	4
9	Vijak za blokiranje gumba za podizanje	1
10	Dio za guranje radnog komada	1
11	Mjerilo za postavljanje noža	1
12	Ključ sa šesterokutnom glavom	2
13	Viličasti ključ	1

SASTAVLJANJE

PREMJESTANJE STROJA

Pogledajte sliku 3.

- Proizvod se može nositi pomoću ručki s obje strane okvira. Prije pomicanja stroja provjerite jesu li svi produžeci stolova zatvoreni.

MONTIRANJE STOPICA POSTOLJA

- Pričvrstite stopice na kutove donjeg ruba proizvoda.

MONTIRANJE BLANJALICE NA DRVENO PODNOŽJE

Pogledajte slike 5-6.

- Ako blanja nije montirana na postolju za blanju, predlaže se montaža na dva komada drveta. Tako ćete osigurati maksimalnu stabilnost stroja.
- Odaberite dva komada drveta prema veličinama prikazanim na slici. Montirajte proizvod na drvenu površinu.
- Za montažu blanjalice na drveno postolje koristite četiri vijka za pričvršćivanje podnožja (isporučuju se s proizvodom).

OSLONAC U OBLIKU DRVENE GREDE

Pogledajte sliku 7.

- Drvena greda na vrhu blanjalice omogućava praktično rukovanje radnim komadom za uzastopne radnje rezanja. Gredu smještenu na vrhu stroja operater može jednostavno povući i nastaviti blanjanje.

RAD

SKLOPKA ZA UKLJ./ISKLJ. (ON/OFF)

Pogledajte sliku 8.

- Za uključivanje proizvoda pritisnite gumb s oznakom "I". Za isključivanje proizvoda pritisnite gumb s oznakom "O".

⚠ UPOZORENJE

Prije spajanja blanjalice s izvorom napajanja obavezno provjerite je li prekidač u ISKLJUČENOM položaju.

PREKIDAČ PREOPTEREĆENJA KRUGA

Pogledajte sliku 8.

- Za zaštitu od preopterećenja uređaj je opremljen sigurnosnim prekidačem preopterećenja. Ako dođe do preopterećenja strujnog kruga, prekidač će iskočiti. U tom slučaju pričekajte nekoliko minuta, potom pritisnite prekidač kako biste ponovno pokrenuli stroj.

PODEŠAVANJE DUBINE REZA

Pogledajte sliku 9.

⚠ UPOZORENJE

Nikada nemojte blanjati više od 3 mm u jednom prolazu i nikada nemojte pokušavati blanjati dasku kraću od 127 mm (5"). Uvijek nosite sigurnosni štitičnik za lice.

- Za podešavanje dubine reza okrenite ručicu za podešavanje visine rezne glave u smjerovima označenim na vrhu blanjalice. Dubinu rezanja moguće je očitati s mjerne skale dubine reza. Podešavanje je stupnjevano u koracima od 1,6 mm po okretu ručice.
- Blanjanje uvijek započinite tankim rezom blanje. Dubina reza na naknadnim prolazima može se povećavati do po 3 mm, ali zapamtite kako tanji rez stvara finiju završnu površinu od debljeg reza.
- Debljina drveta koje prolazi kroz blanju kontrolirana je podešavanjem udaljenosti rezne oštrice od stola.
 - Nemojte blanjati komade koji su tanji od 7 mm.
 - Nemojte blanjati komade koji su deblji od 153 mm (6").

PODESITE DUBINU NA REZNOJ SKALI.

Pogledajte sliku 9.

Za siguran rad vaše blanje, iznimno je važno ispravno očitavanje dubine reza s mjerne skale dubine reza. Za podešavanje dubine na skali dubine reza sljedeće sljedeće korake:

- Uložite dasku koju želite blanjati. Usporedite izmjerenu debljinu daske s očitanjem na mjernoj skali dubine reza.
- Ako je očitavanje dubine na mjernoj skali netočno, otpustite vijak koji priteže plastični pokazivač i podesite ga prema ispravnoj debljini.
- Nakon pravilnog podešavanja mjerne skale dubine reza testirajte očitavanje blanjanjem otpadnog komada



Hrvatski

drveta. Nakon blanjanja izmjerite debljinu blanjanja i ponovno provjerite odgovara li ta debljina očitavanju na mjernoj skali. Ove dvije izmjere bi trebale biti jednake. Ako je potrebno, ponovno podesite dubinu rezanja na mjernoj skali kako bi očitavanje debljine blanjanja bilo ispravno.

SKIDANJE NOŽEVA BLANJE

Pogledajte slike 10-12.

Za skidanje noževa slijedite sljedeće korake:

⚠ UPOZORENJE

Prije skidanja noževa obavezno isključite stroj s izvora napajanja.

- Skinite žlijeb za piljevinu tako da odvijete i uklonite četiri vijaka sa šestostranim upustom koji drže žlijeb.
- Otpustite šipku za blokiranje okretanjem vijaka za stezanje u smjeru kazaljke na satu. Noževi su na oprugama i nakon otpuštanja sklopa će se izbaciti van.
- Izvadite nož, potom izvadite šipku za blokiranje noža.

MONTAŽA / ZAMJENA NOŽEVA BLANJE

Pogledajte sliku 12.

Za montiranje noževa slijedite sljedeće korake:

- Skinite noževe prema uputama u poglavlju "SKIDANJE NOŽEVA BLANJE".
- Očistite sve ostatke s rezne glave blanje.
- Postavite šipku za blokiranje noža u utor u reznoj glavi.
- Postavite nož u utor u reznoj glavi i potom zategnite sklop šipke za blokiranje noža okretanjem vijaka za stezanje u smjeru suprotnom od smjera kazaljke na satu. Provjerite je li nož okrenut u ispravnom smjeru i je li centriran u utoru.
- Postavite visinu noža sukladno uputama u poglavlju "POSTAVLJANJE VISINE NOŽA". Visina noža mora se ponovo postaviti svaki put kada se sa stroja uklanjaju noževi.
- Nakon montaže noževa obavezno vratite žlijeb za piljevinu.

POSTAVLJANJE VISINE NOŽA

Pogledajte slike 13-14.

- Kako biste postigli projekciju noža od 1,1 mm, postavite mjerilo za postavljanje noža na reznu glavu tako da su obje vodilice čvrsto oslonjene na nož.
- Otpustite sklop tako da viličastim ključem okrenete svih sedam vijaka za stezanje u smjeru kazaljke na satu.
- Kada vodilice mjerila pritisnu nož na traženu visinu

ponovno zategnite sklop okretanjem vijaka za stezanje u smjeru suprotnom od smjera kazaljke na satu. Obavezno provjerite je li svih sedam vijaka za stezanje čvrsto zategnuto.

⚠ UPOZORENJE

Oštrica noža se može lako okrhnuti. Pažljivo rukujte mjerilom u blizini noževa kako biste izbjegli njihovo oštećivanje.

⚠ UPOZORENJE

Sklop morate čvrsto zategnuti kako biste spriječili nesreće za vrijeme blanjanja.

SPAJANJE SUSTAVA ZA SAKUPLJANJE PRAŠINE

Pogledajte sliku 19.

Prašina proizvedena tijekom korištenja ovog alata može biti štetna za zdravlje. Pomoću sustava za apsorpciju prašine (primjerice pomoću usisavača) temeljito uklonite naslage prašine.

Za spajanje sustava za sakupljanje prašine:

- Odspojite alat.
- Priključite mlaznicu sustava za prikupljanje prašine na ulaz za prašinu.

Kako biste izbjegli nastajanje naslaga prašine redovito čistite crijevo sustava za sakupljanje prašine.

PODEŠAVANJE

PORAVNAVANJE (POSTAVLJANJE U PARALELU) REZNE GLAVE I RADNOG STOLA

Pogledajte slike 15-18.

Izblanjajte radni komad i izmjerite debljinu nakon rezanja. Ako je na dva kraja radnog komada različita debljina obratka, učinite sljedeće:

Podesite osovinu rezne glave i radni stol tako da su paralelni jedno s drugim. Alati koji se koriste za provjeravanje prikazani su na slici 15. Iz tvrdog drveta izradite blok za umjeravanje alata prema dimenzija prikazanim na slici. Izvršite podešavanja prema procedurama u nastavku.

- Uklonite ručicu za podešavanje visine i gornje te bočne poklopce skidanjem inbus vijaka kako biste omogućili pristup protumatice za podešavanje visine.
- Otpustite protumatice za podešavanje.
- Pomaknite protumatice za podešavanje visine prema gore ili prema dolje, prema potrebi, tako da visina odgovara bloku za umjeravanje.
- Kada postignete željenu postavku visine, zategnite





Hrvatski

protumatice.

- Vratite gornje i bočne poklopce stroja i potom vratite ručicu za podešavanje visine.

NAPOMENA: Prije pokretanja stroja uklonite blok za umjeravanje.

Blanjanje je postupak stanjivanja materijala na željenu debljinu uz stvaranje glatke površine koja je paralelna sa suprotnom stranom radnog komada.

Umjetnost blanjanja sastoji se uglavnom od dobre procjene dubine reza u različitim situacijama. Morate uzeti u obzir sljedeće:

1. Širinu radnog komada drva
2. Tvrdocu drva
3. Vlažnost drva
4. Ravnoću daske
5. Smjer vlakana
6. Strukturu vlakana

Način na koji ovi faktori utječu na kvalitetu izratka može se naučiti jedino kroz iskustvo. Svaki put kada radite s novom vrstom drveta, ili kada imate neuobičajene probleme s poznatom vrstom drveta, isprobajte rezanje na otpadnim komadima materijala prije rada na samom radnom komadu.

ZA DODATNO BLANJANJE

Ako je za postizanje željene debljine završnog sloja potrebno dodatno blanjanje, pomoću ručice ponovno pokrenite reznu glavu na dubinu ne veću od dodatna 3 mm (u bilo kojem trenutku) i učinite još jedan prolaz.

UPOZORENJE

Nikada nemojte blanjati više od 3 mm u jednom prolazu i nikada nemojte pokušavati blanjati dasku kraću od 127 mm (5"). Uvijek nosite sigurnosni štitnik za lice.

ODRŽAVANJE

UPOZORENJE

Uvijek provjerite da li je utikač uklonjen iz izvora glavnog napajanja prije podešavanja, podmazivanja ili kod bilo kakvog rada ili održavanja na proizvodu.

PONOVNO OŠTRENJE NOŽA

Ako je potrebno ponovno oštrenje noža, dopušteno je oštriti samo klinasti dio noža.

PODMAZIVANJE

- Preporučeno podmazivanje za valjkasti lanac koji se koristi u srednjim i manje zahtjevnim postupcima je jednostavno brisanje i čišćenje lanca. Ako postoji pretjerano nakupljanje prašine ili drvenih strugotina i sl., lanac premažite tankim slojem ulja, ali nikada nemojte lijevati ulje izravno na lanac. Prejako podmazivanje lanaca ubrzava proces nakupljanja i lijepljenja prašine i drvenih strugotina koji potom ulaze u članove lanca, što vodi do povećanog trošenja i prerane potrebe za zamjenom lanca. Ovo se odnosi na lance za redukciju brzine i podešavanje visine, kao i na vijke za podešavanje podizanja.

- Ležajevi rezne glave su tvornički podmazani i zabrtvljeni. Nije potrebno daljnje podmazivanje tih ležajeva.

PERIODIČNO ODRŽAVANJE

- Nakupljanje piljevine i ostalih nečistoća može uzrokovati neprecizno blanjanje. Čišćenje je obavezno ako želite vršiti precizno blanjanje, stoga se preporučuje periodično čišćenje stroja od naslaga.
- Zatvorene ugrađene dijelove, kao što su šipke za blokiranje i utori na reznog glavi blanje, potrebno je čistiti četkom kako bi se uklonile zalijepljene nakupine. Nakon čišćenja sve dijelove lagano podmažite uljem i vratite na njihova mjesta.
- Uklonite smole i ostale naslage s ulaznih valjaka i ulaznog stola pomoću nezapaljivog otapala.

TRANSPORT I SKLADIŠTENJE

Prilikom transporta proizvoda isključite naponski kabel i razmontirajte proizvod. Proizvod nosite koristeći se ručkama s obje strane okvira. Skladištite proizvod na dobro osiguranom mjestu koje nije pristupačno djeci.

Očistite proizvod korištenjem četke i usisavača prije spremanja.

ZAŠTITA OKOLIŠA



Sirovine reciklirajte, umjesto da ih odlažete kao otpad. Kako biste zaštitili okoliš, alat, dodatke i ambalažu treba odvojeno baciti u otpad.

SIMBOL



Sigurnosno upozorenje



Hrvatski



CE usklađenost



Molimo vas da prije pokretanja uređaja pažljivo pročitate upute.



Klasa II, dvostruka izolacija



Nosite zaštitu za sluh



Uvijek nosite zaštitna sredstva za oči.



Smjer okretanja oštrice



Maksimalna dubina blanjanja po jednom prolazu



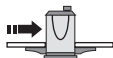
Minimalna duljina blanjanja



Maksimalna širina blanjanja



Visina blanjanja



Brzina ulaganja materijala



Duljina noža pile



Spustite nož



Podignite nož



Otpadni električni proizvodi ne treba da se odlažu s otpadom iz domaćinstva. Molimo da reciklirate gdje je to moguće. Potražite savjet od lokalnih vlasti ili prodavca kako reciklirati.



Hrvatski

RJEŠAVANJE PROBLEMA

Problem	Mogući uzrok	Rješenje
Vlakna u raznim smjerovima.	<ol style="list-style-type: none"> 1. Blanjanje drva s visokim udjelom vlage. 2. Noževi su tupi. 	<ol style="list-style-type: none"> 1. Osušite drvo. 2. Naoštrirte noževe.
Vlakna su iskidana.	<ol style="list-style-type: none"> 1. Rez je pretežak. 2. Noževi režu u smjeru poprečnom na vlakna. 3. Noževi su tupi. 	<ol style="list-style-type: none"> 1. Pregledajte je li ispravna dubina rezanja. 2. Uložite radni komad s vlaknima u smjeru rezanja ili okrenite radni komad. 3. Naoštrirte noževe.
Gruba / izdignuta vlakna.	<ol style="list-style-type: none"> 1. Noževi su tupi. 2. Rez je pretežak. 3. Previsok je udio vlage. 4. Oštećeni su ležajevi rezne glave. 	<ol style="list-style-type: none"> 1. Naoštrirte noževe. 2. Pregledajte je li ispravna dubina rezanja. 3. Osušite drvo. 4. Zamijenite ležajeve.
Nejednaka dubina reza na krajevima radnog komada.	<ol style="list-style-type: none"> 1. Projekcija noža nije uniformna. 2. Rezna glava nije u ravnini s podlogom blanje. 	<ol style="list-style-type: none"> 1. Podesite projekciju noža. 2. Poravnajte reznju glavu sa stolom.
Debljina daske ne odgovara dubini na mjernoj skali.	<ol style="list-style-type: none"> 1. Dubina reza nije točna. 	<ol style="list-style-type: none"> 1. Podesite dubinu na reznju skali.
Lanac skače.	<ol style="list-style-type: none"> 1. Lančanići nisu poravnati. 2. Lančanići su istrošeni. 	<ol style="list-style-type: none"> 1. Poravnajte lančaniće. 2. Zamijenite lančanić.
Alat se neće pokrenuti / ponovno pokrenuti.	<ol style="list-style-type: none"> 1. Alat nije uključen u struju. 2. Kvar motora. 3. Otpuštena žica. 4. Nije uspjelo ponovno pokretanje nakon preopterećenja. 5. Kvar elektropokretača motora. 	<ol style="list-style-type: none"> 1. Provjerite izvor napajanja. 2. Provjerite motor. 3. Za pregledavanje motora obratite se ovlaštenom serviseru. 4. Pustite stroj da se ohladi i ponovno ga pokrenite. 5. Za pregledavanje elektropokretača motora obratite se ovlaštenom serviseru.
Opetovano isklapanje strujnog kruga koje rezultira zaustavljanjem motora.	<ol style="list-style-type: none"> 1. Produžni kabel je predugačak ili pretanak. 2. Noževi su pretupi. 3. Prenizak napon. 	<ol style="list-style-type: none"> 1. Koristite kraći ili deblji produžni kabel. 2. Naoštrite ili zamijenite noževe. 3. Provjerite napon.
Loše ulaganje drvenih komada.	<ol style="list-style-type: none"> 1. Stol blanje je prljav. 2. Oštećeni su valjci za ulaganje. 3. Oštećen je lančanić. 4. Kvar mjenjača. 	<ol style="list-style-type: none"> 1. Očistite od smole i ostataka materijala, te potom podmažite radni stol. 2. Zamijenite valjak za ulaganje. 3. Zamijenite lančanić. 4. Provjerite mjenjač.
Radni komad je zaglavljjen.	<ol style="list-style-type: none"> 1. Neodgovarajuća postavka visine noža. 	<ol style="list-style-type: none"> 1. Postavite nož na ispravnu visinu.





Slovensko

OPIS

1. Zgornje varovalo
 2. Ročica za nastavitev višine rezalne glave
 3. Globina skale reza
 4. Gumb za vklop
 5. Preobremenitveno stikalo
 6. Podaljšek mize
 7. Varovalna vijaka za osnovo
 8. Noge
 9. Varovalni vijak gumba za dvig
 10. Pritisna letev
 11. Merilna palica za nastavitev rezila
 12. Šestrobi ključ
 13. Viličasti ključ
 14. Plastični kazalnik
 15. Odsesovalna cev
 16. Vijaki s šestrobo glavo
 17. Vijaki s štirikotno glavo
 18. Merilna palica za nastavitev rezila
 19. Zaklepni mehanizem
 20. Varovalni vijaki
 21. Rezilos
 22. Vzmet
 23. Imbus vijaki
 24. Matica za nastavitev višine
- Poravnalni skobeljni stroj je zasnovan in izdelan za zagotavljanje najvišje ravni varnosti, učinkovitosti in zanesljivosti delovanja.

NAMEN UPORABE

Skobeljnik je namenjen poravnalnemu skobeljanju lesa. Izdelka ne uporabljajte na noben drug način, kot tako, kot je opisano za namensko uporabo.

SPLOŠNA VARNOSTNA OPOZORILA

OPOZORILO

Pri uporabi električnih orodij morate vedno upoštevati osnovna varnostna opozorila, saj le tako lahko zmanjšate nevarnost požara, električnega udara ali telesnih poškodb. Pred uporabo tega izdelka preberite vsa navodila in shranite priročnik.

- **Delovno območje naj bo vedno čisto.** Neurejeni prostori in delovne mize privabljajo nesreče.
- **Preglejte delovno območje.** Orodja ne izpostavljajte dežju. Orodja ne uporabljajte v mokrih ali vlažnih okoljih. Delovno območje naj bo vedno dobro osvetljeno. Nikoli ne uporabljajte orodja blizu vnetljivih tekočin ali plinov.

- **Zaščita pred električnim udarom.** Izogibajte se telesnemu stiku z ozemljenimi površinami, kot so cevi, radiatorji, kühnlhnikl in hlalidlnlkl.
- **Drugih oseb ne spuščajte zraven.** Tretje osebe, predvsem otroci, orodja ne smejo uporabljati in se orodja ter podaljševalnega kabla ne smejo dotikati; zadrževati se morajo zunaj delovnega območja.
- **Orodja, ki jih ne uporabljate, shranite.** Ko orodja ne uporabljate, ga shranite na suho mesto in zaklenite, da otroci ne bodo imeli dostopa.
- **Orodja ne preobremenjujte.** Nalogo bo opravilo bolje in varneje, če ga uporabite za namen, za katerega je namenjen.
- **Uporabljajte ustrezno orodje.** Z malimi orodji orodji ne opravljajte del, ki so predvidena za večja orodja. Orodja ne uporabljajte za dela, za katera ni namenjeno – krožnih žag na primer ne uporabljajte za rezanje vej in debel.
- **Bodite primerno oblečeni.** Ne nosite ohlapnih oblačil ali nakita; saj bi se lahko zagozdili v premikajoče se dele orodja. Pri delu na prostem je priporočljiva uporaba neдрsečih čevljev. Če imate dolge lase, nosite tudi zaščitno pokrivalo.
- **Uporabljajte zaščitno opremo.** Uporabljajte zaščitna očala. Če pri delu nastaja prah, nosite obrazne maske ali maske proti prahu.
- **Priključite opremo za sesanje prahu.** Če je orodje namenjeno priključitvi na opremo za sesanje in zbiranje prahu, se prepričajte, da so ti priključeni in ustrezno uporabljeni.
- **Kabla ne uporabljajte za neustrezne namene.** Nikoli ne povlecite za kabel, kadar izklapljate vtičak iz vtičnice. Kabel držite proč od vročine, olja ali ostrih robov.
- **Varno delo.** Kjer je to mogoče, uporabljajte sponko ali primež. To je varneje kot uporaba rok.
- **Ne segajte preko dosega.** Pazite, da stojite stabilno in da imate ravnotežje.
- **Orodja vzdržujte nežno.** Za boljše in varnejše delovanje naj bodo rezalna orodja nabrušena in čista. Sledite navodilom za mazanje in menjavo dodatkov. Redno preverjajte napajalne kable orodja in jih v primeru poškodb dajte v popravilo pooblaščenemu servisu. Redno preverjajte podaljške in jih v primeru poškodb zamenjajte z novimi. Ročaji naj bodo suhi, čisti in brez madežev olja ali masti.
- **Odklopite orodja.** Kadar orodja ne uporabljate oz. pred servisiranjem in med menjavo dodatkov (kot so rezila, svedri ipd.), orodja odklopite iz napajanja.
- **Ostranite nastavljive ključe in zatiče.** Pred vklopom orodja preverite, da so zatiči in nastavljivi ključi odstranjeni iz orodja.





Slovensko

- **Preprečite nehoten zagon.** Ko orodje priklaplja te na električno omrežje, mora biti stikalo v položaju za izklop (off).
 - **Uporabljajte podaljške za zunanjo uporabo.** Kadar orodje uporabljate zunaj, uporabljajte le podaljške za zunanjo uporabo.
 - **Bodite pozorni.** Spremljajte potek dela, uporabljajte zdrav razum in orodja ne uporabljajte, če ste utrujeni.
 - **Preverite, ali so kje poškodovani deli.** Pred nadaljnjo uporabo pozorno preglejte orodje in zagotovite, da orodje pravilno in ustrezno deluje. Preverite nastavitve premikajočih se delov, njihove povezave, morebitne lome, namestitve in druge pogoje, ki bi lahko vplivali na delovanje naprave. Varovalo ali drug poškodovan del morate ustrezno popraviti ali zamenjati pri pooblaščenem serviserju, razen če ni drugače navedeno v navodilih za uporabo. Okvarjena stikala mora zamenjati pooblaščen servisni center. Orodja ne uporabljajte, če ga ne morete vklopiti ali izklopiti s stikalom.
 - **Opozorilo.** Uporaba katerih koli dodatkov ali priključkov, ki niso priporočeni v teh navodilih za uporabo, lahko predstavljajo tveganje za osebne poškodbe.
 - **Orodje naj popravi pooblaščen oseba.** To električno orodje izpolnjuje ustrezne varnostne kriterije. Popravila lahko izvaja le pooblaščen oseba, ki uporablja originalne rezervne dele; v nasprotnem primeru bi bil uporabnik lahko v nevarnosti.
- VARNOSTNA OPOZORILA ZA SKOBELJNIK**
- Pri uporabi električnega orodja vedno nosite očala in glušnike.
 - Pri ravnanju s skobeljnim vretenom in grobim materialom nosite rokavice, da zmanjšate poškodbe zaradi ostrih robov.
 - Če se pri delu dviguje prah, nosite tudi zaščito za obraz oziroma protiprašno masko.
 - Pred zagonom skobeljnika se pripravite, da ste privili vse fiksne vijake.
 - Pred izvajanjem prilagoditev morate vedno zaustaviti motor in skobeljnik izključiti iz napajanja.
 - Pred začetkom uporabe skobeljnika se pripravite, da so nameščena vsa varovala.
 - Pred začetkom uporabe skobeljnika podrobno preberite priročnik za uporabnika in se natančno seznanite s strojem.
 - Obdelovanca pri delu ne potiskajte s silo. Pustite, da skobeljnik sam določi pravilno hitrost podajanja.
- Občasno preverite podajalne valjčke in se pripravite, da med sestavne dele niso zagozdeni ostružki in žagovina. Če se podajalni valjčki ne ulegajo trdno v ležišče, lesa ne morejo pritisniti močno ob miza, kar lahko privede do povratnega sunka.
 - Preverite mizo z valji in se pripravite, da je ta med poravnalnimi skobljanjem lesa v isti ravnini kot delovna miza, in se pripravite, da se lahko valjčki pri poravnalnem skobljanju dolgih obdelovancev prosto vrtijo.
 - Skobeljnik uporabljajte izključno za poravnalno skobljanje suhih lesenih plošč.
 - Uporabljajte zdrav les brez izpadlih grč in s čim manj zraslimi grčami.
 - Nikoli ne stojte neposredno pred sprejemnim ali odvzemnim mestom. Vedno stojte na bočni strani skobeljnika.
 - Pripravite se, da v obdelovancu ni žebeljev, vijakov, kamnov in drugih tujkov, ki bi lahko poškodovali rezila.
 - Pripravite se, da so rezila nameščena pravilno in skladno z navodili.
 - Pri rokovanju z rezili in sklopom rezalne glave bodite previdni, saj so rezila ostra in se lahko na njih hitro urežete.
 - Pred uporabo rezalne glave pustite, da doseže svojo polno hitrost.
 - Ko se zadnji del obdelovanca približuje rezilom, ga namesto z rokami potiskajte s pritisno levjico. Ko pritisne letve ne uporabljajte, jo shranite na delovni mizi.
 - Uporabljajte naostrena in dobro vzdrževana rezila.
 - Uporabljajte izključno rezila, zasnovana za skobeljnik.
 - Pred uporabo se pripravite, da je skobeljnik varno pritrjen. Bodite posebej pozorni na stabilnost, ko oblate dolge obdelovance.
 - Roke umaknite od rezila, ko se premika.
 - Ne delajte rezov, ki so globlji od 3mm (1/8").
 - Uporabite zaščito za oči, ki ustreza vašim lokalnim varnostnim standardom.
 - Zagozdenih kosov ne odstranjujte, dokler se rezilo ne zaustavi in dokler naprava ni izključena.



Slovensko

⚠ OPOZORILO

Skobeljnik nikoli ne uporabljajte za naslednja opravila:

- specifičen rez (tj. kakršno koli rezanje, ki ne vključuje celotne dolžine obdelovanca)
- poravnalno skobljanje vdolbin, lesenih zatičev ali kalupov
- poravnalno skobljanje slabo ukrivljenega lesa, ki ni v zadostnem stiku s sprejemno mizo

ZATIKALA ZA ZAŠČITO PRED POVRATNIM SUNKOM

Glejte sliko 2.

- Zatikalo za zaščito pred povratnim sunkom je pripomoček, ki ob pravilni namestitvi in vzdrževanju med delovanjem preprečuje povratni sunek obdelovanca proti prednjemu delu rezila.

PREPREČEVANJE POVRATNEGA SUNKA

- Vedno uporabite pravilno nastavitve globine rezila.
Preden začnete rezati se prepričajte, da na/v obdelovancu niso grče ali žebli. Izpadle grče izbijte s kladivom. Nikoli ne zarežite v izpadle grče ali žebelj.
- Uporabljena rezila morajo biti vedno čista, ostra in pravilno nastavljena.
- Nikoli ne uporabite topih rezil.
- Da preprečite stisk rezila, pred začetkom dela obdelovanec pravilno podložite.
- Pri poravnalnem skobljanju obdelovanec potiskajte z enakomerno in stalno silo. Obdelovanca nikoli ne potiskajte s čezmerno silo.
- Poravnalnega skobljanja nikoli ne izvajajte na mokrem ali upognjenem lesu.
- Obdelovanec vedno držite trdno in z obema rokama ter težiščem na obeh nogah, da ste se pripravljene odzvati ob morebitnem povratnem sunku. Nikoli ne stojte neposredno pred lesom ali za njim.

PREOSTALA TVEGANJA

Nekateri preostalih dejavnikov tveganja ni mogoče povsem odpraviti, tudi če ta izdelek uporabljate v skladu z navodili. Upravljalavec mora zlasti upoštevati te dodatne ukrepe, da zmanjša nevarnosti hudih telesnih poškodb.

- Poškodbe sluha – Nosite ustrezno zaščito za ušesa in omejite izpostavljenost.
- Poškodbe vida – Med uporabo izdelka nosite zaščitna očala.
- Poškodba dihal zaradi vdihavanja prahu, ki se ustvarja pri uporabi izdelka – Nosite ustrezno zaščitno opremo

glede na vrsto prahu.

ELEKTRIČNA POVEZAVA

Ta izdelek ima precizno vgrajen električni motor. Priključite ga lahko samo na 220–240V napajanje, dvosmerni (AC) tok (običajni gospodinjstvi tok), 50 Hz. Izdelka ne uporabljajte z enosmernim tokom (DC). Znaten padec napetosti bo povzročil izgubo moči, motor pa se bo pregrel. Če izdelek po vklopu v vtičnico ne deluje, še enkrat preverite električno napajanje.

HITROST IN NAPELJAVA

Hitrost orodja brez obremenitve je približno 9000 vrt/min. Hitrost ni stalna in se ob obremenitvi ali pri nižji napetosti zniža. Napetost napeljave v delavnici je ravno tako pomembna kot nazivna moč motorja. Kabel, ki je namenjen razsvetljavi, običajno ni sposoben napajati motor električnega orodja. Kabel, ki je dovolj močan na kratke razdalje, bo prešibak na daljše razdalje. Kabel, ki lahko podpira eno električno orodje, morda ni sposoben podpirati dveh ali treh.

Če je napajalni kabel poškodovan, ga mora zaradi izogibanja tveganja zamenjati proizvajalec ali pooblaščen servis.

Napravo priklopite le v vtičnico z enako konfi guracijo, kot jo ima vtič. S tem izdelkom ne uporabljajte adapterja.

Za večjo varnost in zanesljivost morajo vsa popravila izvajati v pooblaščenem servisnem centru RYOBI.

V tokokrogih ali na vtičnicah bi morali biti nameščeni odklopniki na diferenčni tok (RCD), ki bi se uporabljali skupaj s skobeljnikom. Na voljo so tudi vtičnice z vgrajenimi zaščitami stikal na diferenčni tok (RCD) in se lahko uporabljajo kot to varnostno merilo.

Če skobeljnik uporabljate skupaj z električnim podaljškom, pazite, da napajalni kabel stroja in kabel podaljška nista na tleh. Pomožne naprave vedno priklopite v stensko vtičnico in ne v povezavo podaljška in napajalnega kabla orodja.

Če razpoložljiva vtičnica nima vgrajene zaščite, skobeljnika ne uporabljajte, dokler vtičnice ne zamenjate ali zanjo zagotovite dodatno zaščito. Te pomožne zaščitne naprave so na voljo pri lokalnem trgovcu.

SEZNAM NEPRITRJENIH DELOV

Element	Opis	Kol.
2	Ročica za nastavitve višine rezalne glave	1
7	Varovalna vijaka za osnovo	4

Slovensko

8	Noge	4
9	Varovalni vijak gumba za dvig	1
10	Pritisna letev	1
11	Merilna palica za nastavitve rezila	1
12	Šestrobi ključ	2
13	Viličasti ključ	1

MONTAŽA

PREMIKANJE SKOBELJNIKA

Glejte sliko 3.

- Skobeljnik lahko nosite z ročajema, ki se nahajata na obeh straneh ogrodja. Preden skobeljnik premaknete, se prepričajte, da sta podaljška mize v zaprtem položaju.

NAMEŠČANJE NOG

- Noge namestite na vogale na dnu stroja.

NAMEŠČANJE SKOBELJNIKA NA LESENO OSNOVO

Glejte slike od 5-6.

- Kadar skobeljnik ni nameščen na ujemajoče stojalo, ga lahko namestite na dva podolgovata kosa lesa. S tem boste zagotovili največjo stabilnost skobeljnika.
- Podolgovata kosa lesa izberite glede na velikosti, prikazane na sliki. Skobeljnik namestite na leseno površino.
- S štirimi varnostnimi vijaki za osnovo (priloženi) osnovo skobeljnika pritrdite na les.

MESTO ZA ODLAGANJE ZALOG

Glejte sliko 7.

- Mesto za odlaganje zaloge na vrhu skobeljnika omogoča priročno uporabo zaloge pri neprekinjenem skobljanju. Do zaloge, ki jo odložite na vrh skobeljnika, lahko upravljavec hitro dostopa pri skobljanju.

DELOVANJE

STIKALO ZA VKLOP/IZKLOP

Glejte sliko 8.

- Za vklop skobeljnika pritisnite gumb I. Izklopite ga s pritiskom gumba O.

A OPOZORILO

Preden skobeljnik priključite v napajanje, se vedno prepričajte, da je stikalo v položaju OFF (IZKLOP).

PREOBREMENITVENO STIKALO

Glejte sliko 8.

- Stroj je opremljen s preobremenitvenim stikalom, ki zagotavlja zaščito pred preobremenitvami. V primeru preobremenitve se stikalo sproži. V tem primeru nekaj minut počakajte in pritisnite stikalo, da ponastavite skobeljnik.

PRILAGAJANJE GLOBINE REZA

Glejte sliko 9.

A OPOZORILO

V istem prehodu poravnalnega skobljanja nikoli ne izvajajte na lesu z debelino, ki je večja od 3 mm, in dolžino, ki je kraša od 127 mm (5 palcev). Vedno nosite zaščitni vizir za obraz.

- Globino reza prilagodite tako, da ročico za nastavitve višine rezalne glave zavrtite v smeri, ki je prikazana na zgornji strani skobeljnika. Nastavitev globine reza lahko razberete s skale globine. En vrtljaj ročice predstavlja prirastek prilagoditve enak 1,6 mm.
- Vedno, ko začnete z delom, najprej naredite tanek skobeljni rez. Globino reza lahko v naknadnih prehodih povečate do 3 mm, vendar upoštevajte, da tanki rezi ustvarijo bolj gladko površino kot globlji rezi.
- Debelino lesa, ki prehaja skozi skobeljnik, določa nastavljena razdalja med rezilom in mizo.
 - Ne skobljajte lesa, ki je tanjši od 7 mm.
 - Ne skobljajte lesa, ki je debelejši od 153 mm (6 palcev).

UMAZANA MIZA SKOBELJNIKA.

Glejte sliko 9.

Za varno uporabo skobeljnika je izjemno pomembno, da je skala globine reza pravilno nastavljena. Za prilagajanje skale globine reza:

- Dovajajte ploščo, ki jo želite poravnalno skobljati. Izmerjeno debelino plošče primerjajte z odčitkom na skali globine reza.
- Če vrednost, odčitana s skale globine reza, ni pravilna, zrahljajte vijak, ki fiksira plastični kazalnik, in ga ustrezno prilagodite.
- Ko ustrezno prilagodite skalo globine reza, natančnost odčitavanja preverite tako, da skobljate



Slovensko

kos odpadnega lesa. Po koncu skobljanja izmerite debelino skobljanega kosa in jo znova primerjajte z odčitkom s skale. Meritvi bi morali biti enaki. Po potrebi znova prilagodite skalo globine reza, da bo omogočala odčitavanje debeline skobljanega lesa.

ODSTRANJEVANJE SKOBELJNIH REZIL

Glejte slike od 10-12.

Za odstranjevanje rezil sledite spodnjim korakom:

⚠ OPOZORILO

Preden odstranite rezila, skobeljnik izključite iz napajanja.

- Odstranite odesovalno cev, tako da odvijete štiri vijake s šestrobo glavo.
- Zrahljajte zaklepni mehanizem in rezilo tako, da vijake s štirikotno glavo obračate v desno. Ker so rezila vzmetna, bodo ob zrahljanju sklopa izskočila.
- Najprej odstranite rezilo, nato pa še zaklepni mehanizem.

NAMEŠČANJE/MENJAVANJE SKOBELJNIH REZIL

Glejte sliko 12.

Za nameščanje rezil sledite spodnjim korakom:

- Rezila odstranite skladno z navodili v poglavju »ODSTRANJEVANJE SKOBELJNIH REZIL«.
- Z rezalne glave skobeljnika odstranite morebitne delce.
- Zaklepni mehanizem rezila vstavite v žleb na rezalni glavi.
- Rezilo vstavite v žleb na rezalni glavi in sklop zaklepnega mehanizma rezila privijte tako, da vijake s štirikotno glavo obračate v levo. Prepričajte se, da je rezilo usmerjeno v ustrezno smer in da je na sredini žleba.
- Višino rezila nastavite skladno z navodilo v poglavju »NASTAVLJANJE VIŠINE REZILA«. Višino rezila morate ponastaviti vedno, ko jih znova namestite.
- Po namestitvi rezil morate vedno znova namestiti odesovalno cev.

NASTAVLJANJE VIŠINE REZILA

Glejte slike od 13-14.

- Da bi zagotovili globino odvzema rezila 1,1 mm, merilno palico za nastavev reza namestite na rezalno glavo, tako da sta obe vodili nameščeni tesno ob rezilo.
- Sklop zrhljajte tako, da sedem vijakov s štiri robo

glavo z viličastim ključem obrnete v desno.

- Ko vodila merilne palice rezilo potisnejo na zahtevano višino, celoten sklop znova privijte tako, da vijake s štiri robo glavo obrnete v levo. Prepričajte se, da je vseh sedem vijakov s štiri robo glavo varno privitih.

⚠ OPOZORILO

Rob rezila se lahko hitro okruši. Ko merilno palico uporabljate v bližini rezila, pazite, da ga z njo ne poškodujete.

⚠ OPOZORILO

Sklop je treba varno priviti, da preprečite nesreče med skobljanjem.

PRIKLJUČITEV SISTEMA ZA ODSESOVANJE PRAHU

Glejte sliko 19.

Prah, ki nastane ob uporabi tega orodja, lahko škoduje zdravju. Uporabite sistem za odsesovanje prahu in nakopičen prah povsem odstranite, npr. s sesalnikom.

Za priključitev sistema za odsesovanje prahu

- Izklopite orodje.
- Šobo sistema za zbiranje prahu povežite z odprtino za prah.

Cev sistema za odsesovanje prahu pogosto čistite, da preprečite kopičenje prahu.

PRILAGODITVE

VZPOREDNA NAMESTITEV REZALNE GLAVE IN DELOVNE MIZE

Glejte slike od 15-18.

Oskobljajte obdelovanca in po rezanju izmerite njegovo debelino. Če se debelina na dveh koncih obdelovanca razlikuje, ravnajte skladno z naslednjimi koraki:

Gred rezalne glave in delovno mizo poravnajte, da bosta vzporedni. Pripomočki, ki se uporabljajo za preverjanje, so prikazani na sliki 15. Iz trdega lesa izdelajte merilno kladico, pri tem pa upoštevajte velikost, prikazano na sliki. Skladno s spodnjimi postopki izvedite prilagoditve.

- Ročico za nastavev višine ter zgornje in stranske pokrove odstranite, tako da odstranite imbus vijake in s tem razkrijete varovalne matice za nastavev višine.
- Varovalne prilagodilne matice zrhljajte.
- Varovalne prilagodilne matice potisnite navzgor ali navzdol, kot je potrebno glede na merilni blok.
- Ko nastavite želeno višino, varovalne matice privijte





Slovensko

na mestu.

- Znova namestite stranske in zgornje pokrove ter ročico za nastavitve višine.

OPOMBA: Pred zagonom skobeljnika odstranite merilno kladico.

Debelinsko skobljanje vključuje prilagajanje debeline lesa in hkratio gladko obdelavo njegove površine, ki je vzporedna hrbtni strani plošče.

Veščine debelinskega skobljanja najpogosteje vključujejo dobro presojo glede debeline reza pri različnih pogojih. Upoštevati morate naslednje:

1. Širina lesa
2. Trdota lesa
3. Vlažnost lesa
4. Ravnost plošče
5. Smer rasti vlaken
6. Struktura rasti vlaken

Kako ti dejavniki vplivajo na kakovost dela, lahko spoznate samo z izkušnjami. Ko prvič uporabljate določeno vrsto lesa ali uporabljate les, ki je težaven za obdelavo, preden začnete delo na dejanskem obdelovancu, vedno opravite preskusni rez na odpadnem kosu lesa.

ZA DODATNO PORAVNALNO SKOBLJANJE

Če je za zeleno končno debelino treba opraviti dodatno skobljanje, rezalno glavo ročno privijite na razdaljo, ki ne sme biti večja od 3 mm (na katerem koli mestu), in opravite še en prehod.

OPOZORILO

V istem prehodu poravnalnega skobljanja nikoli ne izvajajte na lesu z debelino, ki je večja od 3 mm, in dolžino, ki je kraša od 127 mm (5 palcev). Vedno nosite zaščitni vizir za obraz.

VZDRŽEVANJE

OPOZORILO

Pred izvajanjem nastavitvev, mazanjem ali vzdrževanjem izdelka se vedno prepričajte, da je vtič stroja odstranjen iz električne vtičnice.

PONOVNO OSTRENJE REZILA

Če morate ponovno naostriti rezilo, lahko ostrite samo del rezila, ki je podprt z zagozdo.

MAZANJE

- Priporočeni postopek mazanja verig valjčkov pri srednji do nizki obremenitvi vključuje zgolj brisanje verige do čistega. Če je prisotna čezmerna količina prahu ali lesnih ostružkov itd., verigo premažite s tankim slojem olja, pri tem pa olja nikoli ne zlijte na verigo. S čezmerno uporabo olja pospešite kopičenje prahu in lesnih ostružkov ter njihovo zagozdenje med člene verige, kar pripomore k večji obrabi in potrebi po hitrejšemu menjavanju verige. To vključuje tudi verige za zmanjšanje hitrosti in prilagoditev višine ter vijake za dvig višine.
- Ležaji na rezalni glavi so tovarniško namazani in zatesnjeni. Zato jim ni treba nameniti dodatne pozornosti.

REDNO VZDRŽEVANJE

- Kopičenje žagovine in drugih delcev lahko privede do nepravilnega delovanja skobeljnika. Redno čiščenje je pogoj za natančno skobljanje, hkrati pa je tudi izjemno priporočeno.
- Tesno prilagajoče se dele, npr. zaklepne mehanizme in žlebove rezalne glave očistite s krtačko, da odstranite vse tujke. Nato vse sestavne dele znova namestite na njihova mesta, ta pa predhodno rahlo naoljite.
- Smolo in druge nakopičene snovi na podajalnih valjčkih in mizi očistite z nevljudnim topilom.

TRANSPORT IN SKLADIŠČENJE

Pred prenosom skobeljnika izključite njegov napajalni kabel in ga snemite z osnove. Skobeljnik nosite z ročajema, ki se nahajata na obeh straneh ogrodja. Izdelek shranjujte v varnem prostoru izven dosega otrok.

Izdelek pred skladiščenjem očistite s pomočjo krtače in sesalca.

ZAŠČITA OKOLJA



Namesto, da napravo zavrzete, reciklirajte surovine. Napravo, pribor in embalažo je treba sortirati za okolju prijazno recikliranje.

SIMBOL



Varnostno opozorilo



Slovensko



Skladnost CE



Pred zagonom naprave pozorno preberite navodila.



Razred II, dvojno izolirano



Nosite zaščito za ušesa



Vedno nosite zaščito za oči.



Smer vrtenja rezila



Maximálna výška hobľovania



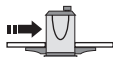
Minimálna dĺžka hobľovania



Maximálna šírka hobľovania



Výška hobľovania



Rýchlosť posuvu



Dolžina rezila



Spustite rezilo



Dvignite rezilo



Odpadne električne izdelke ne odlagajte skupaj z ostalimi gospodinjskimi odpadki. Reciklažo opravljajte na predpisanih mestih. Za nasvet se obrnite na lokalne oblasti.

Slovensko

ODPRAVLJANJE NAPAK

Težava	Rešitev	Brusna podloga
Smer rasti vlaken ni jasno vidna.	<ol style="list-style-type: none"> 1. Skobljanje vlažnega lesa. 2. Topa rezila. 	<ol style="list-style-type: none"> 1. Posušite les. 2. Naostrite rezila.
Pretrgana smer rasti vlaken.	<ol style="list-style-type: none"> 1. Pregloboko rezanje. 2. Rezila režejo v nasprotni smeri rasti vlaken. 3. Topa rezila. 	<ol style="list-style-type: none"> 1. Preverite, ali je globina reza ustrezna. Podajajte obdelovanec. 2. Groba/dvignjena smer rasti vlaken. 3. Naostrite rezila.
Pregloboko rezanje.	<ol style="list-style-type: none"> 1. Topa rezila. 2. Previsoka vlažnost lesa. 3. Poškodovani ležaji rezalne glave. 4. Menjajte ležaje. 	<ol style="list-style-type: none"> 1. Naostrite rezila. 2. Preverite, ali je globina reza ustrezna. Podajajte obdelovanec. 3. Posušite les. 4. Neenakomerna globina rezanje od ene do druge strani.
Neenakomerna globina odvzema reza.	<ol style="list-style-type: none"> 1. Rezalna glava ni poravnana z mizo skobeljnika. 2. Prilagodite globino odvzema reza. 	<ol style="list-style-type: none"> 1. Rezalno glavo poravnajte z mizo. 2. Debelina plošče ne ustreza globini skale reza.
Nepravilen odčitek globine skale reza.	<ol style="list-style-type: none"> 1. Preskakovanje verige. 	<ol style="list-style-type: none"> 1. Umazana miza skobeljnika.
Neporavnani verižniki.	<ol style="list-style-type: none"> 1. Obrabljeni verižniki. 2. Poravnajte verižnike. 	<ol style="list-style-type: none"> 1. Skobeljnik se ne zažene (ponovno). 2. Preverite menjalnik.
Skobeljnik ni vključen.	<ol style="list-style-type: none"> 1. Okvara motorja. 2. Zrahljana žica. 3. Neuspešna ponastavitev po preobremenitvi. 4. Okvara zaganjalnika motorja. 5. Preverite vir napajanja. 	<ol style="list-style-type: none"> 1. Preverite motor. 2. Motor posredujte na pregled pooblaščenemu serviserju. 3. Pustite, da se motor ohladi in ponovno zažene. 4. Zaganjalnik motorja posredujte na pregled pooblaščenemu serviserju. 5. Ponavljajoče prekinitve tokokroga, ki privedejo do zaustavitve motorja.
Predolg ali preozek podaljšek.	<ol style="list-style-type: none"> 1. Topa rezila. 2. Delovanje pri nizki napetosti. 3. Uporabite krajši ali debelejši podaljšek. 	<ol style="list-style-type: none"> 1. Naostrite ali menjajte rezila. 2. Preverite napetost. 3. Nezadostno podajanje lesa.
Poškodovan podajalni valjček.	<ol style="list-style-type: none"> 1. Tračni/kolutni brusilnik je zasnovan in izdelan za zagotavljanje najvišje ravni varnosti, učinkovitosti in zanesljivosti delovanja. 2. Poškodovan verižnik. 3. Okvare menjalnika. 4. Očistite smolo in ostanke, nato pa namažite mizo skobeljnika. 	<ol style="list-style-type: none"> 1. Menjajte podajalne valjčke. 2. Menjajte verižnik. 3. Preverite menjalnik. 4. Obdelovanec se je zagozdil.
Neustrezna višina rezila.	<ol style="list-style-type: none"> 1. Nastavite ustrezno višino rezila. 	<ol style="list-style-type: none"> 1. Prilagodite globino skale reza.



Slovenčina

POPIS

1. Vrhny ochranný kryt
2. Kľuka na regulovanie výšky nožovej hlavy
3. Mierka hĺbky rezu
4. Hlavný spínač
5. Spínač proti preťaženiu
6. Predĺženie stola
7. Zaisťovacie skrutky základne
8. Nožičky
9. Zaisťovacia skrutka zdvihu otočného gombíku
10. Pretláčacia tyč
11. Nastavovacia mierka noža
12. Šesťhranný kľúč
13. Vidlicový kľúč
14. Plastový ukazovateľ
15. Vývod pre odsávanie prachu
16. Skrutky s hlavou s vnútorným šesťhranom
17. Tlačné skrutky
18. Nastavovacia mierka noža
19. Zaisťovacia lišta
20. Zaisťovacie skrutky
21. Ostries
22. Pružina
23. Imbusové skrutky
24. Matica nastavenia výšky

Bezpečnosť, efektívnosť a spoľahlivosť boli prvoradé pri navrhovaní vašej hoblňovačky zarovnávačej a hrúbkovacej.

ÚČEL POUŽITIA

Hoblňovačka je určená na hoblňovanie dreva.

Tento produkt nepoužívajte žiadnym iným spôsobom, ako je uvedené v účele použitia.

VŠEOBECNÉ BEZPEČNOSTNÉ VÝSTRAHY

VAROVANIE

Pri používaní elektrických nástrojov je potrebné dodržiavať základné bezpečnostné opatrenia, aby sa znížilo riziko požiaru, úrazu elektrickým prúdom a poranenia osôb. Pred prácou s produktom si prečítajte všetky pokyny a odložte si tento návod.

- **Pracovisko udržiavajte v čistote.** Zaprášané plochy a stoly priťahujú poranenia.
- **Dbajte na vaše pracovné prostredie.** Nevystavujte nástroje dažďu. Nepoužívajte nástroje vo vlhkom alebo mokrom prostredí. Dbajte, aby bolo pracovisko dobre osvetlené. Nástroje nepoužívajte v blízkosti horľavých kvapalín ani plynov.

- **Chráňte sa pred úrazom elektrickým prúdom.** Vyhnite sa telesnému kontaktu s uzemnenými povrchmi (napríklad rúrami, radiátormi, sporákmi, chladničkami).
- **Nedovoľte, aby sa približovali iné osoby.** Nedovoľte iným osobám, najmä deťom, aby pracovali s nástrojom, dotýkali sa nástroja alebo predlžovacieho kábla a nedovoľte, aby vstupovali do pracovného prostredia.
- **Nástroje odkladajte mimo dosahu detí a iných nezaškolených osôb.** Keď sa nástroje nepoužívajú, odložte ich na suché uzamknuté miesto mimo dosahu detí.
- **Na nástroj nevyvíjajte silu.** Vykoná svoju prácu lepšie a bezpečnejšie pri určenom zaťažení.
- **Používajte správny nástroj.** Nepoužívajte malé nástroje nasilu na prácu určenú pre nástroje s veľkým zaťažením. Nepoužívajte nástroje na iné ako určené účely, napríklad kotúčové píly na odvetvovanie alebo pílenie polien.
- **Primerane sa oblečte.** Nenoste voľný odev ani šperky – môžu sa zachytiť do pohybujúcich sa dielov. Pri práci v exteriéri sa odporúča používať protišmykovú obuv. Ak máte dlhé vlasy, noste ochrannú pokrývku vlasov.
- **Používajte ochranné pomôcky.** Používajte ochranné okuliare. Ak pri práci vzniká prach, použite tvárovú alebo protiprachovú masku.
- **Používajte zariadenie na odsávanie prachu.** Ak je nástroj vybavený pripojením na prostriedky na odsávanie a zber prachu, zaistíte, aby boli správne pripojené a primerane sa používali.
- **Kábel nenamahajte.** Kábel zo zásuvky neodpájajte trhnutím. Kábel nedávajte do blízkosti tepla, oleja alebo ostrých okrajov.
- **Zabezpečte obrobok.** Na pridržanie obrobku použite podľa možnosti svorky alebo zverák. Je to bezpečnejšie, ako použiť ruku.
- **Nesiahajte príliš ďaleko.** Neustále zachovávajte pevnú oporu nôh a rovnováhu.
- **Údržbu nástrojov vykonávajte opatrne.** Udržujte rezné nástroje ostré a čisté pre lepší a bezpečnejší výkon. Dodržiavajte pokyny na mazanie a výmenu príslušenstva. Pravidelne kontrolujte káble nástroja a v prípade ich poškodenia ho nechajte opraviť v autorizovanom servisnom stredisku. Pravidelne skontrolujte predlžovacie káble v prípade ich poškodenia ich vymeňte. Rukoväte udržiavajte suché a čisté, bez zvyškov oleja či maziva.
- **Odpojte nástroje.** Keď sa nástroj nepoužíva, pred servisom a pri výmene príslušenstva, napríklad kotúčov, vrtákov a nožov, odpojte nástroj z elektrickej siete.



Slovenčina

- **Odstráňte nastavovacie klíny a kľúče.** Vytvorte si návyk vizuálnej kontroly odstránenia nastavovacích kľúčov z nástroja pred jeho zapnutím.
 - **Dbajte na to, aby nedochádzalo k neúmyselnému spusteniu.** Pri zapájaní nástroja skontrolujte, či je spínač vo vypnutej polohe.
 - **Používajte predlžovacie káble určené pre exteriéry.** Keď sa nástroj používa, používajte len predlžovacie káble určené pre exteriéry s príslušným označením.
 - **Buďte opatrní.** Sledujte, čo robíte, používajte zdravý rozum a nepracujte s nástrojom, keď ste unavení.
 - **Kontrolujte všetky poškodené časti.** Pred ďalším použitím tohto nástroja je nevyhnutné dôkladne skontrolovať, či funguje správne a vykonáva funkciu, na ktorú je určený. Skontrolujte zarovnanie pohyblivých dielov, zaseknutie pohyblivých dielov, poškodenie dielov, montáž a akékoľvek iné podmienky, ktoré by mohli ovplyvniť prevádzku nástroja. Ochranný kryt alebo iné poškodené diely treba riadne opraviť alebo vymeniť v autorizovanom servisnom stredisku, pokiaľ nie je v návode uvedené inak. Chybné spínače sa musia vymeniť v autorizovanom servisnom centre. Nástroj nepoužívajte, ak spínač nezapína a nevypína nástroj.
 - **Varovanie.** Používanie akéhokoľvek príslušenstva alebo doplnku, ktorý nie je odporúčaný v tomto návode na použitie, môže predstavovať riziko osobného poranenia.
 - **Opravu nástroja zverte kvalifikovanej osobe.** Tento elektrický nástroj spĺňa platné bezpečnostné pravidlá. Opravy môžu vykonávať len kvalifikované osoby pomocou originálnych náhradných dielov, inak by mohlo vzniknúť značné riziko pre používateľa.
- BEZPEČNOSTNÉ VÝSTRAHY PRE HOBLŔOVAČKU**
- Pri používaní tohto elektrického náradia vždy používajte ochranné okuliare a ochranu sluchu.
 - Pri manipulácii s nožovou hlavou a nahrubo opracovaným materiálom noste rukavice, na zníženie rizika poranenia na ostrých hranách.
 - Ak pri práci vzniká prach, používajte tvárovú alebo protiprachovú masku.
 - Pred spustením stroja skontrolujte, či sú všetky upevňovacie skrutky dotiahnuté.
 - Vždy zastavte motor a odpojte od zdroja elektriny predtým, ako začnete vykonávať akékoľvek nastavenia.
 - Pred začatím prevádzky sa ubezpečte, že všetky ochranné kryty sú na mieste.
 - Pozorne si prečítajte návod na obsluhu a oboznámte sa zo strojom ešte predtým, ako ho začnete používať.
 - Obrobok cez stroj netlačte silou. Nechajte, aby výrobok sám použil správnu podávaciu rýchlosť.
 - Občas skontrolujte podávacie valce, aby ste sa uistili, že medzi komponentmi nie sú uviaznuté žiadne piliny ani hobliny. Ak valce nesedia napevno, podávacie valce nebudú držať pevne obrobok oproti lôžku, čím umožnia vznik spätného nárazu.
 - Pri práci s dlhými obrobkami skontrolujte a zabezpečte sa, že stoly s valcami sú v jednej rovine s pracovným stolom a valce sa môžu voľne otáčať.
 - Používajte výrobok na hobľovanie iba suchých drevených dosiek.
 - Používajte zdravé drevo bez vydávajúcich uzlov a s minimálnym množstvom pevných uzlov.
 - Nikdy nestojte zarovno na strane prísunu alebo odberu materiálu. Vždy stojte bokom z jednej strany stroja.
 - Uistite sa, že na obrobku nie sú klince, skrutky, kamene alebo iné cudzie predmety, ktoré by mohli poškodiť nože.
 - Uistite, že nože sú správne pripevnené, ako je opísané v pokynoch.
 - Dbajte na zvýšenú opatrnosť pri manipulácii s nožmi a nožovou hlavou. Nože sú ostré a ľahko môžu porezať vašu ruku.
 - Pred začatím práce počkajte, kým nožová hlava dosiahne plné otáčky.
 - Keď sa koniec obrobku priblíži k nožom, použite na jeho posun namiesto rúk pretláčaciu tyč. Keď sa pretláčacia tyč nepoužíva, by mala byť uložená na pracovnom stole.
 - Používajte nože, ktoré sú dobre nabrušené a udržiavané.
 - Používajte iba nože určené pre tento výrobok.
 - Pred použitím hobľovačku bezpečne namontujte. Pri hobľovaní dlhých obrobkov venujte extra pozornosť stabilite.
 - Keď sa nôž pohybuje, ruky majte v bezpečnej vzdialenosti.
 - Nevykonávajte rezy hlbšie než 3 mm (1/8").
 - Používajte ochranu zraku podľa miestnych noriem upravujúcich bezpečnosť.
 - Neodstraňujte zakliesnený kus, až kým sa nôž nezastaví a nedôjde k vypnutiu napájania.

Slovenčina

VAROVANIE

Nikdy nevykonávajte tieto operácie:

- Zastavenie opracovania (t.j. nevykonávajte rezy, ktoré by sa neaplikovali na celú dĺžku obrobku)
- Hobľovanie priehlbín, čapov alebo iných tvarov.
- Obrábanie veľmi ohnutého dreva, ktoré nemá dostatočný kontakt so stolom pre prísun materiálu

ZÁPADKY PROTI SPÄTNÉMU NÁRAZU

Pozrite si obrázok 2.

- Západka proti spätnému nárazu je zariadenie, ktoré keď je správne nainštalované a udržiavané, slúži počas prevádzky na zastavenie obrobku pred spätným vyvrhnutím smerom do prednej časti nožov.

ZABRÁNENIE SPÄTNÉMU NÁRAZU

- Vždy používajte správne nastavenie hĺbky nožov.
Pred začiatkom rezania skontrolujte obrobok, či sa na ňom nenachádzajú uzly alebo klice. Všetky uvoľnené uzly vyklepte kladivom. Nikdy nespustíte rezanie s uvoľneným uzlom alebo klincom.
- Vždy používajte čisté, ostré a správne nastavené nože.
- Nikdy nepoužívajte výrobok s tupými nožmi.
- Pred spustením prevádzky zabezpečte správne podopretie obrobku, aby ste sa vyhlí zaseknutiu nožov.
- Pri hobľovaní používajte stály, rovnomerný tlak. Výrobok nikdy nepreťažujte.
- Nehobľujte vlhké alebo skrútené rezivo.
- Vždy držte obrobok pevne oboma rukami, držte telo vo vyváženej polohe, aby ste boli pripravení odolať spätnému nárazu. Nikdy nestojte priamo v jednej línii s rezivom.

ZVYŠKOVÁ RIZIKOVOSŤ

Aj keď sa nástroj používa podľa predpisu, nie je možné eliminovať určité zvyškové rizikové faktory. Obsluhujúci musí týmto bodom venovať špeciálnu a zvýšenú pozornosť, aby znížil riziko závažného osobného poranenia.

- Poškodenie sluchu – Používajte vhodnú ochranu sluchu a obmedzte expozíciu
- Poškodenie zraku – Pri práci s produktom používajte ochranné štíty na oči alebo okuliare.
- Poranenie respiračného systému z prachu vytváraného pri činnosti produktu – Používajte vhodné opravné prostriedky v závislosti od druhu prachu.

ELEKTRICKÁ PŘIPOJKA

Tento výrobok poháňa presný elektrický motor. Musí sa pripájať výhradne do zdroja napájania striedavého prúdu 220~240 V, 50 Hz (bežný rozvod domácnosti). Nikdy nepoužívajte zariadenie zapojené do jednosmerného prúdu. Výrazný pokles napätia zapríčiní pokles výkonu a motor sa bude prehrievať. Ak zariadenie nefunguje po zapojení do zásuvky, dvakrát skontrolujte zdroj napätia.

RÝCHLOSŤ A ELEKTRICKÉ VEDENIE

Voľnobežná rýchlosť nástroja je približne 9000 ot./min. Táto rýchlosť nie je konštantná a pri záťaži alebo nižšom napätí klesá. Pre napätie je elektrické vedenie v dielni rovnako dôležité ako menovitý výkon motora. Vedenie rovneť len pre svetlá nedokáže správne utiahnuť motor elektrického nástroja. Vodič, ktorý je dostatočne dimenzovaný na krátke vzdialenosti, bude nedostatočný na dlhšie vzdialenosti. Vedenie, ktoré postačuje na jeden elektrický nástroj, nemusí byť dostatočné pre dva alebo tri nástroje.

Ak dôjde k poškodeniu napájacieho kábla, aby nedošlo k ohrozeniu, musí ho vymeniť výrobca alebo autorizované servisné stredisko.

Len zapojte produkt do zásuvky, ktorá má rovnakú konfi guráciu ako zástrčka. S týmto produktom nepoužívajte adaptér.

Na zaistenie bezpečnosti a spoľahlivosti musí všetky opravy vykonávať **AUTORIZOVANÉ SERVISNÉ STREDISKO** alebo **KVALIFIKOVANÁ SERVISNÁ ORGANIZÁCIA**.

V elektrických zásuvkách a v obvodoch, používaných s výrobkom, by mali byť zabezpečené prúdové chrániče (RCD). K dispozícii sú zásuvky so zabudovanou ochranou RCD a možno ich používať na zaistenie tejto ochrany.

Ak sa výrobok používa s predĺžovacím káblom, zabezpečte, aby pripojenie napájacieho kábla nariadenia a predĺžovacieho kábla nebolo na zemi. Pomocné zariadenia sa musia vždy zapájať na nástennej elektrickej zásuvky a nie do pripojenia na predĺžovacom kábli na napájacom kábli elektrického nástroja.

Ak nie je k dispozícii chránená zásuvka, nepoužívajte výrobok dovtedy, kým nie je zásuvka vymenená alebo pridaná ochrana. Tieto pomocné ochranné zariadenia sú dostupné u vášho miestneho dodávateľa.

ZOZNAM VOĽNE DODÁVANÝCH DIELOV

Položka	Popis	Množ.
2	Kľuka na regulovanie výšky nožovej hlavy	1

Slovenčina

7	Zaisťovacie skrutky základne	4
8	Nožičky	4
9	Zaisťovacia skrutka zdvíhu otočného gombíku	1
10	Pretláčacia tyč	1
11	Nastavovacia mierka noža	1
12	Šesťhranný kľúč	2
13	Vídlícový kľúč	1

MONTÁŽ

PREMIESTŇOVANIE HOBĽOVAČKY

Pozrite si obrázok 3.

- Tento výrobok je možné prenášať pomocou rukovätí, nachádzajúcich sa na oboch stranách rámu. Pred premiestňovaním výrobku sa ubezpečte, že predĺžené časti stola sú zatvorené.

MONTÁŽ NOŽÍČIEK

- Pripevnite nožičky do rohov na spodnej strane výrobku.

MONTÁŽ HOBĽOVAČKY NA DREVENÚ ZÁKLADŇU

Pozri obrázky 5-6.

- Ak hobľovačka nie je pripevnená na stojan hobľovačky, odporúča sa ju namontovať na dva drevené hranoly. Týmto sa zabezpečí jej maximálna stabilita.
- Vyberte dva kusy drevených hranolov podľa rozmerov uvedených na obrázku. Pripevnite výrobok na drevený povrch.
- Na pripevnenie základne hobľovačky do dreva použite štyri zaisťovacie skrutky základne (sú súčasťou dodávky).

MIESTO NA MATERIÁL

Pozrite si obrázok 7.

- Miesto na materiál na vrchnej časti hobľovačky zabezpečuje pohodlnú manipuláciu s materiálom pri priebežnom obrábaní. Materiál, položený vo vrchnej časti stroja, môže operátor jednoducho vytiahnuť ma hobľovanie.

PREVÁDZKA

HLAVNÝ SPÍNAČ

Pozrite si obrázok 8.

- Na zapnutie výrobku stlačte tlačidlo do polohy I. Na

vypnutie výrobku stlačte tlačidlo do polohy O.

VAROVANIE

Vždy sa uistite, že vypínač je vo VYPNUTEJ polohe pred pripojením hobľovačky k zdroju napájania.

ODPOJENIE OBVODU PRI PREŤAŽENÍ

Pozrite si obrázok 8.

- Stroj má spínač proti preťaženiu na ochranu proti preťaženiu. Keď nastane preťaženie, spínač zhasne. Ak sa tak stane, počkajte niekoľko minút a stlačte spínač na opätovné spustenie stroja.

NASTAVENIE HĽBKY REZU

Pozrite si obrázok 9.

VAROVANIE

Nikdy nehobľujte viac ako 3 mm na jeden záber a nikdy sa nepokúšajte hobľovať dosku kratšiu ako 127 mm (5"). Vždy noste ochranný tvárový štít.

- Na nastavenie hĺbky rezu otočte rúčku kľuky na regulovanie výšky nožovej hlavy v smere, ktorý je vyznačený na vrchnej časti hobľovačky. Hĺbka nastavenia rezu sa dá odčítať na mierke na nastavenie hĺbky rezu. Jedno otočenie ručnej kľuky predstavuje 1,6 mm.
- Vždy začinite prácu tým, že urobíte tenký hobľovací rez. Hĺbka rezu nasledujúcich záberov môže byť zvýšená maximálne o 3 mm, ale pamätajte, že tenký rez vytvára jemnejší povrch ako hlbšie rezy.
- Hrúbka dosky, ktorá prechádza cez hobľovačku, je regulovaná nastavenou vzdialenosťou rezného noža od stola.
 - Nehobľujte dosku, ktorá je tenšia ako 7 mm.
 - Nehobľujte dosku, ktorá je hrubšia ako 153 mm (6").

NASTAVTE MIERKU HĽBKY REZU.

Pozrite si obrázok 9.

Pre bezpečnú prevádzku hobľovačky je veľmi dôležité presné odčítanie mierky hĺbky rezu. Pri nastavení mierky hĺbky rezu postupujte podľa nasledovných krokov:

- Vsuňte do hobľovačky dosku, ktorú chcete opracovávať.
Porovnajte nameranú hrúbku dosky s hodnotou, ktorú ste odčítali na mierke hĺbky rezu.
- Ak je hodnota, ktorú ste odčítali na mierke hĺbky rezu, nesprávna, povoľte skrutku, ktorá doťahuje plastový

Slovenčina

ukazovateľ a adekvátne ho upravte.

- Keď ste správne nastavili mierku hĺbky rezu, odkontrolujte túto hodnotu ohobľovaním kusa odpadového dreva. Po ohobľovaní zmerajte ohobľovanú hrúbku a dvakrát ju skontrolujte s hodnotou na mierke. Obidve tieto merania by mali byť rovnaké. V prípade potreby znovu nastavte mierku hĺbky rezu podľa hodnoty ohobľovanej hrúbky.

ODMONTOVANIE HOBLŔOVACÍCH NOŽOV

Pozri obrázky 10-12.

Pri odmontovaní nožov postupujte podľa nasledovných krokov:

VAROVANIE

Pred odmontovaním nožov odpojte výrobok zo zdroja elektrickej energie.

- Odmontujte vývod na odsávanie prachu odskrutkovaním štyroch skrutiek s hlavou s vnútorným šesťhranom.
- Uvoľnite zaisťovaciu lištu a nôž otočením tlačných skrutiek doprava. Nože sú uložené na pružine a po uvoľnení zostavy sa vysunú.
- Vyberte nôž a potom zaisťovaciu lištu noža.

INŠTALÁCIA/VÝMENA HOBLŔOVACÍCH NOŽOV

Pozrite si obrázok 12.

Pri inštalácii nožov postupujte podľa nasledovných krokov:

- Odmontujte nože podľa pokynov v časti „ODMONTOVANIE HOBLŔOVACÍCH NOŽOV“.
- Odstráňte všetky nečistoty z nožovej hlavy hobľovačky.
- Nasadte zaisťovaciu lištu noža do drážky v nožovej hlave.
- Nasadte nôž do drážky v nožovej hlave a utiahnite zostavu zaisťovacej lišty noža otočením tlačných skrutiek doľava. Preverte, či nôž smeruje správnym smerom a je v drážke vycentrovaný.
- Nastavte výšku nožov podľa pokynov v časti „NASTAVENIE VÝŠKY NOŽA“. Výška noža musí byť znovu nastavená zakaždým, keď sú nože vybraté pre akýkoľvek dôvod.
- Ubezpečte sa, že ste po inštalácii nožov znovu nasadili vývod pre odsávanie prachu.

NASTAVENIE VÝŠKY NOŽOV

Pozri obrázky 13-14.

- Aby ste dosiahli presah noža o 1,1 mm, umiestnite nastavovaciu mierku noža na nožovú hlavu s obomi vodidlami položenými pevne oproti nožu.

- Uvoľnite celú zostavu otočením siedmich tlačných skrutiek doprava s vidlicovým kľúčom.
- Keď je nôž zatlačený na správnu výšku pomocou vodidiel na mierke, znovu dotiahnite celok otáčaním tlačných skrutiek doľava. Preverte, či je všetkých sedem skrutiek pevne dotiahnutých.

VAROVANIE

Hrana noža je veľmi náchylná na vylamovanie. Dbajte na zvýšenú opatnosť pri manipulácii s mierkou v blízkosti nožov, aby sa zabránilo ich poškodeniu.

VAROVANIE

Zostava musí byť pevne dotiahnutá, aby sa predišlo úrazom počas hobľovania.

NA PRIPOJENIE SYSTÉMU ZACHYTÁVANIA PRA-CHU:

Pozrite si obrázok 19.

Pyl vytváraný pri práci s týmto nástrojom môže byť zdraviu škodlivý. Používajte systém na pohltenie prachu a odstraňujte nahromadený prach, napríklad pomocou vysávača.

Na pripojenie systému na zachytávanie prachu:

- Náradie odpojte zo zásuvky.
- Pripojte trysku systému na zachytávanie prachu na otvor na prach.

Hadicu systému zachytávania prachu čistite často, aby ste zabránili nahromadeniu prachu.

NASTAVOVANIE

PARALELNÉ ULOŽENIE NOŽOVEJ HLAVY A PRA-COVNÉHO STOLA

Pozri obrázky 15-18.

Ohobľujte obrobok a odmerajte hrúbku po hobľovaní. Ak hrúbky na oboch koncoch obrobku sú rozdielne, vykonajte nasledovné:

Nastavte hriadeľ nožovej hlavy a pracovný stôl tak, aby boli paralelné. Nástroje používané na kontrolu sú zobrazené na obrázku č. 15. Na výrobu nástrojovej základnej rovnoobežnej mierky, podľa rozmerov uvedených na obrázku, použite tvrdé drevo. Urobte nastavenia podľa nasledovného postupu.

- Odmontujte kľuku na regulovanie výšky a obidva vrchný aj bočný kryt, odmontovaním imbusových skrutiek, aby sa odkryli poistné matice nastavenia výšky.



Slovenčina

- Uvoľnite matice nastavenia výšky.
- Nastavte poistné matice nastavenia výšky smerom hore alebo dole tak, aby to vyhovovalo základnej mierke.
- Keď je dosiahnuté požadované nastavenie výšky, dotiahnite poistné matice.
- Namontujte späť bočný a vrchný kryt a vráťte na miesto kľuku na regulovanie výšky.

POZNÁMKA: Pred nastavením stroja vyberte základnú rovnožešnú mierku.

Hrúbkovanie, je obrábanie materiálu na požadovanú hrúbku, pričom sa vytvára hladký povrch paralelne s protihľadou stranou dosky.

Technika hrúbkovania pozostáva hlavne z dobrého posúdenia hĺbky rezu v rozličných situáciách. Musíte vziať do úvahy:

1. Šírku reziva
2. Tvrdosť reziva
3. Vlhkosť reziva
4. Rovnosť dosky
5. Smer vlákien
6. Štruktúru vlákien

Ako tieto faktory dokážu ovplyvniť kvalitu práce sa dá naučiť iba na základe skúseností. Vždy, keď pracujete s novým druhom dreva, alebo s drevom s nezvyčajnými problémami, vždy si najskôr pred samotnou prácou na skutočnom obrabnu urobte skúšobné rezy na kuse odpadového dreva.

DODATOČNÉ HOBLŔOVANIE

Ak je na dosiahnutie požadovanej hrúbky alebo povrchu potrebné vykonať dodatočné hobľovanie, nastavte nožovú hlavu do výšky najviac 3 mm pomocou ručnej kľuky (táto výška musí zakaždým dodržaná) a dokončíte ďalší záber.

VAROVANIE

Nikdy nehobľujte viac ako 3 mm na jeden záber a nikdy sa nepokúšajte hobľovať dosku kratšiu ako 127 mm (5"). Vždy noste ochranný tvárový štít.

ÚDRŽBA

VAROVANIE

Pred vykonaním úprav, mazaním alebo vykonaním akejkoľvek údržby na produkte vždy skontrolujte, či bola zástrčka odpojená z elektrickej zásuvky.

OPĀTOVNÉ NABRÚSENIE NOŽA

Ak je potrebné opätovne nabrúsiť nože, je dovolené znovu nabrúsiť iba reznú plochu čepele.

MAZANIE

- Odporúčané mazanie valčekových reťazí, používané pre strednú až slabú prevádzku, predstavuje jednoduché utretie reťaze dočista. Pri nahromadení prachu alebo drevených hoblín a pod., potrite reťaz tenkou vrstvou oleja, ale nikdy olej nelejte priamo na reťaz. Nadbytočné olejovanie vedie k urýchleniu nahromadenia prachu a drevených hoblín, čím sa tieto dostanú medzi jednotlivé články reťaze a vedú k zvýšenému opotrebovaniu a predčasnej výmene reťaze. Toto sa týka aj reťazí zníženia otáčok a nastavenia výšky ako aj zdvíhacích skrutiek.
- Ložiská nožovej hlavy sú namazané a utesené z výroby. Nevyžadujú si žiadnu ďalšiu starostlivosť.

PRAVIDELNÁ ÚDRŽBA

- Nahromadenie pilín alebo iné nečistoty môžu spôsobiť, že stroj nebude správne hobľovať. Pre presné hobľovanie sa odporúča a je povinné pravidelné čistenie.
- Tesne priliehajúce diely, ako sú drážky zašŕtovacích lišt a nožovej hlavy hobľovačky, by sa mali očistiť kefou; odstrániť prilepené cudzie častice. Potom znovu dajte na miesto všetky diely, slabo pretreté olejom.
- Odstráňte z podávacích valcov a zo stola živicu a ostatné nahromadené častice pomocou nehorľavého rozpúšťadla.

PREPRAVA A SKLADOVANIE

Pri preprave výrobku, odpojte napájaci kábel a odmontujte výrobok. Na prenášanie výrobku používajte rukoväte, ktoré sa nachádzajú na oboch stranách rámu. Odložte zariadenie na bezpečné miesto, na ktoré nemajú prístup deti.

Pred uskladnením vyčistite produkt pomocou kefy alebo vysávača.

OCHRANA ŽIVOTNÉHO PROSTREDIA



Surové materiály recyklujte, nelikvidujte ich ako odpad. Stroj, príslušenstvo a obaly by sa mali triedene recyklovať spôsobom šetrným k životnému prostrediu.



Slovenčina

ZNAČKY



Buďte ostražití



Zhoda CE



Pred spustením zariadenia si pozorne prečítajte tento návod.



Trieda II, dvojité izolácia



Noste ochranu sluchu



Vždy používajte chrániče zraku.



Smer otáčania ostria



Največja globina obdelave v istem prehodu



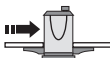
Največja dolžina obdelave



Največja širina obdelave



Višina obdelave



Hitrost dovajanja



Dĺžka pilového listu



Zníženie noža



Zvýšenie noža



Opatrebované elektrické zariadenia by ste nemali odhadzovať do domového odpadu. Prosíme o recykláciu ak je možné. Kontaktujte miestne úrady, alebo predajcu pre viac informácií ohľadom ekologického spracovania.



Slovenčina

RIEŠENIE PROBLÉMOV

Problém	Možná príčina	Riešenie
Rozstrapkaná textúra dreva.	<ol style="list-style-type: none"> Hobľovanie dreva s vysokou vlhkosťou. Nože sú tupé. 	<ol style="list-style-type: none"> Vysušte drevo. Nabrúste nože.
Textúra dreva sa vytrháva.	<ol style="list-style-type: none"> Rez je príliš hlboký. Nože hobľujú proti smeru vlákien dreva. Nože sú tupé. 	<ol style="list-style-type: none"> Skontrolujte správnu hĺbku rezu. Podávajte obrobok v smere vlákien alebo obrobok obráťte. Nabrúste nože.
Textúra dreva je opracovaná nahrubo/vystúpená.	<ol style="list-style-type: none"> Nože sú tupé. Rez je príliš hlboký. Príliš vysoká vlhkosť. Ložiská nožovej hlavy sú poškodené. 	<ol style="list-style-type: none"> Nabrúste nože. Skontrolujte správnu hĺbku rezu. Vysušte drevo. Vymeňte ložiská.
Nerovnomerné hĺbka rezu zo strany na stranu.	<ol style="list-style-type: none"> Nerovnomerné nastavenie vyčnievania noža. Nožová hlava nie je zarovnaná s lôžkom hobľovačky. 	<ol style="list-style-type: none"> Nastavte vyčnievanie noža. Zarovnajete nožovú hlavo so stolom.
Hrúbka dosky nezodpovedá hĺbke na mierke hĺbky rezu.	<ol style="list-style-type: none"> Nesprávna hĺbka na mierke hĺbky rezu. 	<ol style="list-style-type: none"> Nastavte mierku hĺbky rezu.
Vyskakovanie reťaze.	<ol style="list-style-type: none"> Reťazové kolesá sú vyosené. Reťazové kolesá sú opotrebované. 	<ol style="list-style-type: none"> Vyrovnajete reťazové kolesá. Vymeňte reťazové koleso.
Náradie sa nenašartuje/ opakovane nenašartuje.	<ol style="list-style-type: none"> Náradie nie je zapojené do zdroja el. energie. Porucha motora. Uvoľnený vodič. Zlyhalo opätovné spustenie po vypnutí po preťažení. Porucha štartéra motora. 	<ol style="list-style-type: none"> Skontrolujte zdroj energie. Skontrolujte motor. Dajte si skontrolovať motor zástupcom autorizovaného servisu. Nechajte motor vychladnúť a potom ho znovu naštartujte. Dajte si skontrolovať štartér motora zástupcom autorizovaného servisu.
Opakované vypínanie obvodu motora má za následok zastavenie motora.	<ol style="list-style-type: none"> Predĺžovací kábel je príliš dlhý alebo príliš tenký. Nože sú príliš tupé. Nízke napájacie napätie. 	<ol style="list-style-type: none"> Použite kratší alebo hrubší predĺžovací kábel. Nabrúste alebo vymeňte nože. Skontrolujte napájacie napätie.
Slabé posúvanie reziva.	<ol style="list-style-type: none"> Stôl hobľovačky je zašpinený. Podávací valec je poškodený. Poškodené reťazového koleso. Poruchy prevodovky. 	<ol style="list-style-type: none"> Očistite od živice a zvyškov a namažte stôl hobľovačky. Vymeňte podávací valec. Vymeňte reťazové koleso. Skontrolujte prevodovku.
Obrobok je zaseknutý.	<ol style="list-style-type: none"> Nesprávne nastavená výška noža. 	<ol style="list-style-type: none"> Nastavte nôž do správnej výšky.





България

ОПИСАНИЕ

1. Горно предпазно устройство
 2. Манивела за регулиране на височината на режещата глава
 3. Скала за дълбочината на рязане
 4. Силов изключвател
 5. Изключвател при претоварване
 6. Разширение на масата
 7. Задържащи винтове на основата
 8. Крака
 9. Задържащ винт на копчето за издигане
 10. Прът за избутване
 11. Габарит за настройката на ножовете
 12. Ключ шестограм
 13. Обикновен гаечен ключ
 14. Пластмасова стрелка
 15. Улей за прах
 16. Винтове с глава с вътрешен шестостен
 17. Силови винтове
 18. Габарит за настройката на ножовете
 19. Стопорна планка
 20. Задържащи винтове
 21. Ножове
 22. Пружина
 23. Винтове с вътрешен шестостен
 24. Гайка за настройка на височината
- Безопасността, работните характеристики и надеждността имат най-висок приоритет при проектирането на Вашата хобел машина.

ПРЕДНАЗНАЧЕНИЕ

Хобел машината е предназначена за рендосване на дърво.

Не използвайте продукта по начини, различни от посочените.

ОБЩИ ПРЕДУПРЕЖДЕНИЯ ЗА БЕЗОПАСНОСТ

▲ ПРЕДУПРЕЖДЕНИЕ

При използване на електрически инструменти трябва да се спазват всички основни мерки за безопасност, за да се намали рискът от пожар, токов удар или физически наранявания. Прочетете настоящите инструкции, преди да опитате да работите с продукта, и ги запазете.

- **Поддържайте работното място чисто.** Непродредените места и работни маси могат да доведат до наранявания.
- **Преценявайте средата, в която работите.** Не

излагайте инструментите на дъжд. Не използвайте инструментите на влажни или мокри места. Поддържайте работната зона добре осветена. Не използвайте инструментите при наличието на запалими течности и газове.

- **Пазете се от токов удар.** Избягвайте контакт на тялото със заземени повърхности (напр. тръби, отоплителни уреди, пещи, хладилници).
- **Дръжте останалите лица на разстояние.** Не позволявайте на хора, особено деца, да участват в работата ви, да докосват инструмента или удължителния кабел и ги дръжте на разстояние от работното място.
- **Приберете за съхранение инструментите, които не използвате.** Когато не се използват, инструментите трябва да се съхраняват на сухо, заключено място, далеч от досега на деца.
- **Не използвайте сила върху инструмента.** Той ще свърши работата си по-добре и по-безопасно в диапазона на работа, за който е предназначен.
- **Използвайте само правилния за конкретната задача инструмент.** Не използвайте малки инструменти за работа, изискваща по-мошен такъв. Не използвайте инструменти за цели, за които не са предназначени, например, не използвайте циркулярни триони за рязане на клонови или трупи.
- **Обличайте се целесъобразно.** Не носете широки дрехи или бижута, тъй като те могат да бъдат захванати от движещите се части. Когато работите на открито, се препоръчват обувки, пригодени против плъзгане. Носете защитно покритие, което да прибира дългата коса.
- **Използвайте защитно оборудване.** Използвайте предпазни очила. Използвайте маска за лице или против прах, ако при работните операции се отделя прах.
- **Свържете оборудване за извличане на прах.** Ако инструментът е предвиден за свързване на оборудване за извличане и събиране прах, уверете се, че то е свързано правилно.
- **Не насилвайте захранващия кабел.** Никога не дърпайте кабела, за да го изключите от контакта. Дръжте кабела далеч от топлина, масло и остри предмети.
- **Обезопасете работната зона.** Там, където е възможно, използвайте скоби или менгеме за закрепване на работния детайл. Това е по-безопасно, отколкото да използвате ръцете си.
- **Не се протягайте, за да работите на трудно достижими места.** Винаги стъпвайте стабилно по време на работа и пазете равновесие.





България

- **Поддържайте грижливо инструментите.** Дръжте режещите инструменти остри и чисти за по-добра и по-безопасна работа. Следвайте инструкциите за смазване и смяна на аксесоари. Проверявайте редовно кабела на инструмента и ако е повреден, го занесете за ремонт в оторизиран сервиз. Периодично оглеждайте за повреди удължителния кабел и ако има такива, го сменете. Дръжте ръкохватките сухи, чисти и по тях да няма масло и смазка.
- **Изключете кабелите на инструментите.** Изключете инструментите от електрическото захранване, когато не ги използвате, преди обслужване и при смяна на аксесоари, напр. остриета, компоненти и фрези.
- **Махнете всички гаечни и френски ключове, използвани за регулиране на инструмента.** Изградете си навика да проверявате дали гаечните и френските ключове са премахнати от инструмента, преди да го включите.
- **Избягвайте неволно стартиране.** Когато включвате уреда в захранването, се уверете, че превключвателят е на позиция „off“ (изключен).
- **За работа на открито използвайте удължителни кабели.** Когато работите с уреда на открито, използвайте само удължителни кабели, които са предназначени за такава употреба и имат съответната маркировка.
- **Бъдете внимателни.** Внимавайте какво правите, мислете и не работете с инструмента, ако сте изморени.
- **Проверявайте за повредените части.** Преди да продължите да използвате инструмента, трябва да го проверите внимателно, за да определите дали ще работи правилно и дали ще изпълнява функциите си по предназначение. Проверете движещите се части за съсност, заклиняване, повреди и монтажни проблеми, както и за всякакви други условия, които могат да повлияят негативно върху работата на инструмента. Повреден предпазител или друга част трябва да бъде ремонтирана правилно или сменена от оторизиран сервизен център, освен ако не е посочено друго в настоящото ръководство с инструкции. Дефектните превключватели трябва да се сменят от оторизиран сервизен център. Не използвайте инструмента, ако превключвателят не може да го включи и изключи.
- **Предупреждение.** Използването на аксесоар или приспособление, различни от препоръчаните в настоящото ръководство с инструкции, може да представлява риск от физически наранявания.
- **Ремонтът на вашия инструмент трябва да се извършва от квалифицирано лице.** Този

електрически инструмент отговаря на съответните правила за безопасност. Ремонтът трябва да се извършва само от квалифицирани лица, с оригинални резервни части; в противен случай това може да доведе до значителна опасност за потребителя.

ПРЕДУПРЕЖДЕНИЯ ЗА БЕЗОПАСНОСТ НА ХОБЕЛ МАШИНАТА

- Винаги носете предпазни очила и антифони, когато използвате електрическия инструмент.
- Носете ръкавици, когато манипулирате режещия блок и груб материал, за да намалите наранявания от остри ръбове.
- Носете маска за лице или маска против прах, ако работите в прашни условия.
- Проверете, за да се уверите, че всички притискащи болтове са затегнати, преди да пуснете машината.
- Винаги спирайте електродвигателя и изключвайте от електрозахранването преди извършване на каквито и да е настройки.
- Преди експлоатация се уверете, че всички предпазни устройства са на място.
- Прочетете старателно ръководството на оператора и се запознаяте с машината преди работа.
- Не насиливайте обработвания детайл през машината. Позволете на хобел машината да прилага правилна скорост на подаване.
- Проверявайте от време на време подаващите валащи, за да се уверите, че дървесни стърготини и трески не са заседнали между които и да е компоненти. Ако валащите не са здраво фиксирани, подаващите ролки няма да задържат дървения материал срещу леглото, позволявайки обратен ход.
- Проверете и се уверете, че ролковата маса е на една и съща равнина с работната маса, когато рендосват дърво, и че валащите могат да се въртят свободно, когато се рендосват дълги обработвани детайли.
- Използвайте машината само за рендосване на сухи дървени плоскости.
- Използвайте качествена дървесина, без хлабави чепове и доколото е възможно по-малко плътни чепове.
- Никога не заставайте директно в една линия с подаващата или изходната страна. Винаги стойте встрани от машината.
- Уверете се, че обработваният детайл е без пирони, винтове, камъни или други чужди тела, които могат да повредят ножовете.





България

- Уверете се, че ножовете са закрепени правилно, както е описано в инструкциите.
- Бъдете внимателни, когато манипулирате ножовете и взеела на режещата глава. Ножовете са остри и лесно могат да срежат ръката ви.
- Оставете режещата глава да достигне пълната скорост, преди да я използвате.
- Използвайте прът за бутане вместо ръцете си, за да бутате обработвания детайл, когато неговият край приближава ножовете. Прътът за бутане трябва да се съхранява на работната маса, когато не се използва.
- Използвайте добре заточени и поддържани ножове.
- Използвайте само режещи ножове, предназначени за машината.
- Уверете се, че рендето е здраво фиксирано преди употреба. Бъдете изключително внимателни за стабилността, когато рендосвате дълги елементи.
- Дръжте ръцете си на разстояние от острието, когато се движи.
- Не режете по-дълбоко от 3 mm (1/8").
- Носете предпазни очила, които отговарят на местните стандарти за безопасност.
- Не премахвайте заседнали парчета, докато острието не спре и захранването не бъде изключено.

▲ ПРЕДУПРЕЖДЕНИЕ

Никога на извършвайте следните операции:

- Прекъсната работа (т.е. всяко рязане, което не включва цялата дължина на обработвания детайл)
- Рендосване на хлебове, шипове или шаблони
- Рендосване на много изкривена дървесина, с неадекватен контакт с подаващата маса

ПРЕДПАЗИТЕЛИ СРЕЩУ ОБРАТЕН ХОД

Виж Фигура 2.

- Предпазителят срещу обратен ход е устройство, което, когато е правилно монтирано и поддържано, е предназначено да спре обработвания детайл да бъде изхвърлен обратно към работната страна на ножа по време на операция за рендосване.

ИЗБЯГВАНЕ НА ОБРАТЕН ХОД

- Винаги използвайте правилна настройка на дълбочината на ножа.
Проверявайте дървесината за чепове или пирони

преди започване на рязането. Избийте всички хлабави чепове с чук. Никога не режете в хлабав чеп или пирон.

- Винаги използвайте чисти, заострени и правилно установени ножове.
- Никога не използвайте хобела със затпени ножове.
- За да предотвратите зацепване на ножа, поддържайте правилно заготовката преди започване на операцията по рендосване.
- При рендосване използвайте постоянен равномерен натиск. Никога на насилвайте хобела.
- Не рендосвайте мокра или изкривена дървесина.
- Винаги дръжте обработвания детайл здраво с две ръце, задържайте тялото си в балансирано положение, за да бъде готово да се противопостави на обратен удар. Никога не заставайте директно на пътя на дървесината.

НЕПРЕДВИДЕНИ РИСКОВЕ.

Дори когато продуктът се използва по предназначение, е невъзможно напълно да се ограничи влиянието на определени рискови фактори. Операторът трябва да обърне специално и допълнително внимание на тези точки, за да намали риска от сериозни физически наранявания.

- Увреждания на слуха - Носете подходящи антифони и ограничете излагането на шум.
- Увреждания на зрението - Носете маска за предпазване на очите или предпазни очила, когато използвате продукта.
- Увреждания на дихателната система от прах, отделен при работа с този продукт - Носете подходящи предпазни средства в зависимост от вида на праха.

ЕЛЕКТРИЧЕСКА ВРЪЗКА

Този инструмент се захранва от прецизно създаден електрически двигател. Той трябва да се включва в електрическо захранване 220-240V, само AC (нормално битово напрежение), 50 Hz. Не работете с продукта с прав ток (DC). При по значителен спад в напрежението моторът може да прегрее, поради загуба на мощност. Ако машината не работи, когато е включена в контакта, проверете повторно електрическото захранване.

СКОРОСТ И ПРОВОДНИЦИ

Скоростта без натоварване на този продукт е 9000 RPM. Тази скорост не е постоянна и намалява



България

при натоварване или при ниско напрежение. За напрежението окабеляването в магазина е също толкова важно, колкото и номиналната стойност за конските сили на двигателя. Линия, предназначена само за осветление, не може правилно да носи двигател на електрически инструмент. Проводник, който е достатъчно здрав за кратки разстояние, ще бъде прекалено слаб за по-големи. Линия, която може да поддържа един електрически инструмент, може да не е в състояние да поддържа два или три инструмента.

Ако захранващият кабел е повреден, той трябва да се смени от производителя или от оторизиран сервиз, за да се избегнат рискове.

Само свържете машината към контакт, който има същата конфигурация, както щепсела. Не използвайте адаптер с тази машина.

За по-голяма безопасност и надеждност всички ремонти трябва да се извършват от оторизиран сервиз на RYOBI.

Трябва да се предвиди устройство за диференциално токова защита (ДТЗ) на веригата(ите) или контакта(ите), които се използват за машината. Налични контакти, които имат вградена ДТЗ и могат да се използват за тази мярка за безопасност.

Ако машината се използва с удължителен кабел, се уверете, че връзката на силовия кабел на машината и удължителния кабел не са на земята. Допълнителните устройства трябва винаги да се включват в стенния контакт, а не при съединението на удължителния кабел и силовия кабел на машината.

Ако не е наличен защитен контакт, не използвайте машината, докато контактът може да бъде сменен или може да бъде получена допълнителна защита. Тези устройства за допълнителна защита са на разположение при местния Ви търговец на дребно.

СПИСЪК С НЕЗАТЕГНАТИ ЧАСТИ

Елемент	Описание	Количество
2	Манивела за регулиране на височината на режещата глава	1
7	Задържащи винтове на основата	4
8	Крака	4
9	Задържащ винт на копчето за издигане	1

10	Прът за избутване	1
11	Габарит за настройката на ножовете	1
12	Ключ шестограм	2
13	Обикновен гаечен ключ	1

СГЛОБЯВАНЕ

ПРЕМЕСТВАНЕ НА ХОБЕЛ МАШИНАТА

Виж Фигура 3.

- Хобел машината може да бъде премествана с помощта на дръжките от двете страни на рамата. Уверете се, че разширенията на масата са затворени преди преместването на хобел машината.

МОНТАЖНИ КРАКА

- Прикрепете краката към ъглите в долната част на хобел машината.

МОНТАЖ НА ХОБЕЛ МАШИНАТА НА ДЪРВЕНА ОСНОВА

Виж Фигура 5-6.

- Когато хобелът не е монтиран на стойка за хобел, се препоръчва да се монтира на две парчета дървесина. Това ще гарантира максимална стабилност.
- Изберете две парчета от дърво съгласно показаните на фигурата размери. Монтирайте хобела на дървената повърхност.
- Използвайте четирите задържащи винта (доставени), за да монтирате основата на хобела към дървото.

СКЛАДОВА СТОЙКА

Виж Фигура 7.

- Складовата стойка отгоре на хобела осигурява подходящо манипулиране на преработвания материал за последователни операции на рязане. Разположеният отгоре на машината преработван материал лесно може да бъде изтеглен към оператора за рендосване.

РАБОТА

ПРЕВКЛЮЧВАТЕЛ ПУСКАНЕ/СПИРАНЕ

Виж Фигура 8.

- За да включите хобела, натиснете бутона I (вкл). За да го изключите, натиснете бутона O (изкл).

България

▲ ПРЕДУПРЕЖДЕНИЕ

Винаги се уверявайте, че превключвателят е в положение OFF (ИЗКЛ) преди включване на хобела към източника на електрозахранване.

ИЗКЛЮЧВАТЕЛ ПРИ ПРЕТОВАРВАНЕ НА ВЕРИГА-ТА

Виж Фигура 8.

- Машината е оборудвана с изключвател при претоварване за защита от претоварване. Ако възникне претоварване, изключвателят ще изскочи навън. Ако това се случи, изчакайте няколко минути и натиснете превключвателя, за да върнете машината в изходно положение.

РЕГУЛИРАНЕ НА ДЪЛБОЧИНАТА НА РЯЗАНЕ

Виж Фигура 9.

▲ ПРЕДУПРЕЖДЕНИЕ

Никога не рендосвайте повече от 3 mm на един проход и никога не се опитвайте да рендосвате дъска под 127 mm (5") по дължина. Винаги носете защитен щит за лицето.

- За да регулирате дълбочината на рязане, завъртете манивелата за регулиране на височината на режещата глава в посоките, отбелязани на горната страна на хобел машината. Настройката на дълбочината на рязане може да се отчете от скалата за дълбочина на рязане. Градацията на настройката е 1,6 mm за оборот на манивелата.
- Винаги започвайте работата си чрез изпълняване на рендосване с фина стружка. Дълбочината на рязане на последователните проходи може да бъде увеличена до 3 mm, но запомнете, че свалянето на фина стружка създава по-фин финиш, отколкото по-дълбокия срез.
- Дебелината на дървесината, преминаваща през хобел машината, се управлява чрез разстоянието от режещия нож до масата, което регулирате.
 - Не рендосвайте дървен материал с дебелина, по-малка от 7 mm.
 - Не рендосвайте дървен материал с дебелина, по-голяма от 153 mm (6").

РЕГУЛИРАНЕ НА СКАЛАТА ЗА ДЪЛБОЧИНАТА НА РЯЗАНЕ

Виж Фигура 9.

За безопасната работа на Вашата хобел машина е

много важно дълбочината на рязане да се отчита точно. За да регулирате скалата за дълбочината на рязане, следвайте стъпките по-долу:

- Подайте дъска за рендосване.
Сравнете измерената дебелина на дъската с отчитането по скалата за дълбочината на рязане.
- Ако показанието на скалата за дълбочината на рязане е неправилно, охлабете винта, който затяга пластмасовата стрелка и регулирайте съответно.
- След като сте регулирали правилно скалата за дълбочината на рязане, изпитайте показанието чрез рендосване на парче от отпадъчна дървесина. След рендосването измерете дебелината на рендосването и я проверете два пъти спрямо показанието на скалата. Двете измервания трябва да бъдат еднакви. Регулирайте отново скалата за дълбочината на рязане и отчетете дебелината на рендосване, ако е необходимо.

ДЕМОНТИРАНЕ НА РЕНДОСВАЩИТЕ НОЖОВЕ

Виж Фигура 10-12.

За да демонтирате рендосващите ножове, следвайте стъпките по-долу:

▲ ПРЕДУПРЕЖДЕНИЕ

Изключете Вашата хобел машина от източника на електрозахранване, преди да извадите рендосващите ножове.

- Свалете улея за прах чрез сваляне на четирите винта с глава с вътрешен шестостен на него.
- Охлабете стопорната планка и ножа чрез завъртане на силовите винтове по посока на часовниковата стрелка. Ножовете са подпружинени и ще излязат навън, когато се охлаби възелът.
- Извадете ножа и след това стопорната планка на ножа.

МОНТИРАНЕ / ЗАМЯНА НА РЕНДОСВАЩИТЕ НОЖОВЕ

Виж Фигура 12.

За да монтирате рендосващите ножове, следвайте стъпките по-долу:

- Отстранете ножовете според инструкциите в „ДЕМОНТИРАНЕ НА РЕНДОСВАЩИТЕ НОЖОВЕ“
- Отстранете всички отпадъци от режещата глава на хобел машината.
- Въмъкнете стопорната планка на ножа в прореза на режещата глава.
- Въмъкнете ножа в прореза на режещата глава

България

и затегнете възела стопорна планка - нож чрез затягане на силовите винтове по посока, обратна на часовниковата стрелка. Уверете се, че ножът е ориентиран в правилната посока и центриран в прореза.

- Установете височините на ножовете според инструкциите в „ЗАДАВАНЕ НА ВИСОЧИНАТА НА НОЖОВЕТЕ“. Височината на ножовете трябва да се възстановява всеки път, когато ножовете за извадени по някаква причина.
- Уверете се да поставите на място улея за прах, след като ножовете са монтирани.

РЕГУЛИРАНЕ НА ВИСОЧИНАТА НА ОСТРИЕТО

Виж Фигура 13-14.

- За да получите проекция на ножа от 1,1 mm, поставете габарита за настройката на ножовете на режещата глава с двата водача здраво срещу ножа.
- Охлабете възела чрез завъртане на седемте силови винта по часовниковата стрелка с обикновен гаечен ключ.
- Когато ножът е натиснат на необходимата височина от водачите на габарита, затегнете отново възела чрез завъртане на силовите винтове обратно на часовниковата стрелка. Уверете се, че всички седем силови винта са затегнати надеждно.

⚠ ПРЕДУПРЕЖДЕНИЕ

Ръбът на ножа е много чувствителен към нащърбване. Бъдете внимателни, когато работите с габарита близо до ножовете, за да избегнете повреждането им.

⚠ ПРЕДУПРЕЖДЕНИЕ

Възелът трябва да бъде надеждно затегнат, за да предотвратите злополуки по време на рендосване.

СВЪРЗВАНЕ НА СИСТЕМА ЗА СЪБИРАНЕ НА ПРАХ

Виж Фигура 19.

Прахът, произведен при използването на тази машина, може да бъде вреден за здравето. Използвайте система за поглъщане на праха и отстранявайте грижливо отложения прах, напр. с прахосмукачка.

За да свържете система за събиране на прах:

- Изключете продукта от захранването.
- Свържете дюзата на системата за събиране на прах към улея за прах.

Почиствайте често маркуча на системата за събиране

на прах, за да избегнете натрупването на прах.

НАСТРОЙКА

ОСИГУРЯВАНЕ НА УСПОРЕДНОСТ МЕЖДУ РЕЖЕЩАТА ГЛАВА И РАБОТНАТА МАСА

Виж Фигура 15-18.

Рендосайте детайл и измерете дебелината сред рязането. Ако дебелините са различни от двете страни на обработения детайл, направете следното:

Регулирайте вала на режещата глава и работната маса, така че да са успоредни. Използването за проверката инструменти са показани на фиг. Използвайте твърда дървесина, за да направите измерителен блок съгласно размера, показан на фигурата. Направете настройките в съответствие със следните процедури.

- Свалете манивелата за регулиране на височината и горния и страничния капаци, чрез сваляне на винтовете с въртешен шестостен, за да разкриете контрагайките за регулиране на височината.
- Разхлабете контрагайките за регулиране.
- Регулирайте контрагайките за регулиране на височината нагоре или надолу, както е необходимо, за да съответстват на измерителния блок.
- Когато се достигне желаната настройка на височината, затегнете контрагайките в позиция.
- Сглобете отново страничния и горния капаци и поставете отново манивелата за регулиране на височината.

ЗАБЕЛЕЖКА: Отстранете измерителния блок преди стартиране на машината.

Дебелината на рендосване е размерът на материала до желаната дебелина, докато създавате гладка повърхност, успоредна на противоположната страна на дъската.

Изкуството на рендосване на дебелина се състои основно в използване на добра преценка относно дълбочината на среза в различни ситуации. Трябва да вземете предвид:

1. Ширината на дървесината
2. Твърдостта на дървесината
3. Влажността на дървесината
4. Праволинейността на дъската
5. Посоката на влакната
6. Структурата на влакната

Как тези фактори могат да повлияят върху качеството на работата може да се научи само чрез опит. Когато се работи с нов вид дърво или такава с необичайни проблеми, винаги правете изпитателни рязания

България

на отпадъчен материал преди да работите върху действителния детайл.

ЗА ДОПЪЛНИТЕЛНО РЕНДОСВАНЕ

Ако е необходимо допълнително рендосване, за да получите желаната дебелина на окончателната обработка, подавайте режещата глава с манивелата не повече от 3 mm (по всяко време) и изпълнете друг проход.

ПРЕДУПРЕЖДЕНИЕ

Никога не рендосвайте повече от 3 mm на един проход и никога не се опитвайте да рендосвате дъска под 127 mm (5") по дължина. Винаги носете защитен щит за лицето.

ПОДДРЪЖКА

ПРЕДУПРЕЖДЕНИЕ

Винаги се уверявайте, че щепселът е отстранен от електрическата мрежа преди извършване на настройки, смазване, или когато извършвате каквато и да е поддръжка на машината.

ПОВТОРНО ЗАТОЧВАНЕ НА НОЖА

Ако е необходимо повторно заточване на ножа, е разрешено повторно заточване само на клиновидна зона.

СМАЗВАНЕ

- Препоръчителното смазване на веригите на ролките, използвани при средно и ниско работно натоварване, е просто чисто избърсване на веригата. Когато има излишно натрупването на прах или дървесни стърготини и т.н., покрийте веригата с тънък слой масло, но никога не наливайте масло пряко върху веригата. Свърхомасляването води до ускоряване на събирането на прах и дървесни стърготини и ги вмъква между звената на веригата, което води до повишено износване и преждевременна замяна. Това се отнася до намаляването на скоростта и веригите за регулиране на височината, както и за винтовете за повдигане.
- Лагерите на режещата глава са фабрично смазани и уплътнени. Те не изискват никакво допълнително внимание.

ПЕРИОДИЧНА ПОДДРЪЖКА

- Натрупването на стърготини и други отпадъци може да доведе до това машината Ви да рендосва неточно. Периодичното почистване е задължително за прецизно рендосване и се препоръчва силно.
- Плътно прилягащи части, като стопорни планки и прорези на режещата глава на хобел машината, трябва да се почистват с четка; отстранете прилепналите чужди тела. След това поставете на мястото им всички части, в техните съответни позиции, леко овлажнени с масло.
- Отстранете смола и други натрупвания от подаващите валащи и масата с незапалим разтворител.

ТРАНСПОРТИРАНЕ И СЪХРАНЕНИЕ

При транспортиране на машината, изключете захранващия кабел и демонтирайте машината. Пренесайте машината с помощта на ръчките от двете страни на рамата. Съхранявайте продукта на сигурно място, което е недостъпно за деца.

Почистете продукта с помощта на четка и прахосмукачка, преди да го приберете за съхранение.

ОПАЗВАНЕ НА ОКОЛНАТА СРЕДА



Рециклиране на суровини, вместо за обезвреждане като отпадък. Машината, допълнителните приспособления и опаковките трябва да бъдат подложени на подходяща преработка за оползотворяване на съдържащите се в тях вторични суровини.

ЗНАК



Предупреждение относно безопасността



CE съответствие



Моля, прочетете внимателно инструкциите, преди да стартирате продукта.



Инструмент от клас II, двойна изолация

България



Носете антифони



Винаги носете предпазни средства за очите



Посока на въртене на ножовете



Максимална дебелина на хобловане за ход



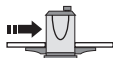
Минимална дължина на хобловане



Максимална дължина на хобловане



Височина на хобловане



Скорост на подаване



Дължина на острието



Наведете острието



Повдигнете острието



Електрическите уреди не трябва да се изхвърлят заедно с битовите отпадъци. Рециклирайте, където има възможност. За съвети относно рециклирането се обърнете към вашите местни власти или търговски представители.

България

ОТСТРАНЯВАНЕ НА ПРОБЛЕМИ

Проблем	Възможна причина	Решение
Текстурата е разнищена.	<ol style="list-style-type: none"> 1. Рендосване на дървесина с високо съдържание на влага. 2. Ножовете са затъпени. 	<ol style="list-style-type: none"> 1. Изсушете дървесината. 2. Заточете ножовете.
Текстурата е разкъсана.	<ol style="list-style-type: none"> 1. Рязането е твърде дълбоко. 2. Ножовете режат срещу влакната. 3. Ножовете са затъпени. 	<ol style="list-style-type: none"> 1. Уточнете правилната дълбочина на рязане. 2. Подайте обработвания детайл по направление на влакната или завъртете обработвания детайл. 3. Заточете ножовете.
Текстурата е груба / повдигната.	<ol style="list-style-type: none"> 1. Ножовете са затъпени. 2. Рязането е много дълбоко. 3. Съдържание на влага е много високо. 4. Лагерите на режещата глава са повредени. 	<ol style="list-style-type: none"> 1. Заточете ножовете. 2. Уточнете правилната дълбочина на рязане. 3. Изсушете дървесината. 4. Сменете лагерите.
Неравномерна дълбочина на рязане от страна до страна.	<ol style="list-style-type: none"> 1. Проекцията на ножа не е еднаква. 2. Режещата глава не е нивелирана спрямо леглото на хобела. 	<ol style="list-style-type: none"> 1. Регулирайте проекцията на ножа. 2. Нивелирайте режещата глава спрямо масата.
Дебелината на дъската не съответства на дълбочината по скалата на рязане.	<ol style="list-style-type: none"> 1. Скалата за дълбочината на рязане е неправилна. 	<ol style="list-style-type: none"> 1. РЕГУЛИРАНЕ НА СКАЛАТА ЗА ДЪЛБОЧИНАТА НА РЯЗАНЕ
Веригата подскача.	<ol style="list-style-type: none"> 1. Верижните зъбни колела не са центрирани. 2. Верижните зъбни колела са износени. 	<ol style="list-style-type: none"> 1. Центрирайте верижните зъбни колела. 2. Заменете верижните зъбни колела.
Машината не стартира / рестартира.	<ol style="list-style-type: none"> 1. Машината не е включена в мрежата. 2. Неизправност на електродвигателя. 3. Проводникът е хлабав. 4. Връщането в начално състояние след претоварване е неуспешно. 5. Неизправност на пускателя със серводвигател. 	<ol style="list-style-type: none"> 1. Проверете захранващия източник. 2. Проверете електродвигателя. 3. Електродвигателят трябва да се провери от упълномощен сервизен техник. 4. Оставете машината да се охлади и рестартирайте. 5. Пускателят със сервомотор трябва да се провери от упълномощен сервизен техник.
Повтарящо се изключване на веригата в резултат на спиране на електродвигателя.	<ol style="list-style-type: none"> 1. Удължителният кабел е твърде дълъг или твърде тънък. 2. Ножовете са затъпени. 3. Експлоатация при ниско напрежение. 	<ol style="list-style-type: none"> 1. Използвайте по-къс или по-дебел удължителен кабел. 2. Заточете или заменете ножовете. 3. Проверете напрежението.



България

<p>Лошо подаване на дървесината.</p>	<ol style="list-style-type: none"> 1. Масата на хобел машината е замърсена. 2. Подаващия валеж е повреден. 3. Верижното зъбно колело е повредено. 4. Предавателната кутия работи неизправно. 	<ol style="list-style-type: none"> 1. Почистете смолата и остатъците и смажете масата на хобел машината. 2. Заменете подаващия валеж. 3. Заменете верижното зъбно колело. 4. Проверете предавателната кутия.
<p>Обработваният детайл е заклинен.</p>	<ol style="list-style-type: none"> 1. Неадекватна настройка на височината на ножа. 	<ol style="list-style-type: none"> 1. Задаване на правилната височината на ножовете





українська мова

ОПИС

1. Верхній захист
2. Корбова руків'я регулювання різальної головки по висоті
3. Шкала глибини різання
4. Вимикач живлення
5. Вимикач при перевантаженні
6. Розсувна робоча поверхня
7. Гвинти фіксування основи
8. Ніжки
9. Стопорний гвинт ручки регулювання висоти
10. Штовхач
11. Калібрувальник установки ножа
12. Пальцева прокладка
13. Ключ ріжковий
14. Пластиковий покажчик
15. Пиловий підвідний канал
16. Шестигранні гвинти з циліндричною головою
17. Силлові гвинти
18. Калібрувальник установки ножа
19. Планка блокування
20. Гвинти фіксування
21. Лезо
22. Пружина
23. Шестигранні гвинти
24. Гайка регулювання по висоті

Головними міркуваннями при розробці цього стругального верстата були безпека, ефективність та надійність.

ПРИЗНАЧЕННЯ

Цей стругальний верстат призначений для стругання деревини.

Використовуйте цей прилад тільки за призначенням.

ЗАГАЛЬНІ ПРАВИЛА БЕЗПЕКИ

▲ ПОПЕРЕДЖЕННЯ

При використанні електричних інструментів слід завжди дотримуватися загальних правил техніки безпеки, щоб знизити ризик виникнення пожежі, ураження електричним струмом та отримання травм. Прочитайте ці інструкції перед початком роботи з цим продуктом і збережіть ці інструкції.

- **Тримайте робочу зону чистою.** Засмічені області та верстата створюють травми.
- **Враховуйте робоче навколишнє середовище.** Бережіть інструмент від дощу. Не використовуйте інструменти в сирих або вологих місцях.

Робоче місце повинно бути добре освітлене. Не використовуйте інструменти у присутності легкозаймистих рідин або газів.

- **Захист від ураження електричним струмом.** Уникайте контакту тіла з заземленими поверхнями, такими як труби, радіатори, плити та холодильники.
- **Тримайте інших осіб подалі.** Не дозволяйте особам, особливо дітям, бути залученими в роботу, торкатися інструменту або подовжувача, і тримайте їх подалі від робочої зони.
- **Зберігайте невикористовувані інструменти.** Якщо не у використанні, інструменти повинні зберігатися в сухому закритому місці, поза досяжністю дітей.
- **Не перевантажувати інструмент.** Він буде виконувати роботу краще і безпечніше при швидкості, для якої він призначений.
- **Використовуйте правильний інструмент.** Не примушуйте невеликі інструменти, щоб зробити роботу інструменту важкого режиму. Не використовуйте інструменти для не призначених цілей, наприклад, не використовуйте циркулярну пилку для різання гілок або коріння дерев.
- **Одягайтеся правильно.** Не носіть вільний одяг або прикраси, вони можуть потрапити в рухомі частини. Неслизьке взуття рекомендується при роботі на відкритому повітрі. Носіть захисний волоссяний покрив, щоб вкрити довге волосся.
- **Використовуйте захисне обладнання.** Використовуйте захисні окуляри. Використовуйте маску або респіратор, якщо робочі операції створюють пил.
- **Підключіть витяжку для пилу.** Якщо передбачено підключення до інструменту обладнання для збору та видалення пилу, переконайтеся, що воно під'єднане і використовується правильно.
- **Не зловжуйте шнур.** Ніколи не смикайте за шнур, щоб від'єднати його від розетки. Тримайте шнур подалі від джерел тепла, мастила і гострих кромок.
- **Безпечна робота.** Де це можливо, використовуйте затискачі або лещата для проведення робіт. Це безпечніше, ніж використовувати руки.
- **Не тягніться.** Зберігайте правильну стійку і баланс весь час.
- **Обережно ставтесь до інструментів.** Тримайте ріжучий інструмент гострим і чистим для кращої та безпечної роботи. Дотримуйтесь інструкцій по змащенню й заміні аксесуарів. Періодично перевіряйте шнури інструменту, і, якщо вони пошкоджені, відремонтуйте їх в авторизованому сервісному центрі. Періодично оглядайте подовжувачі і замініть, якщо вони пошкоджені.





українська мова

Тримайте ручки сухими, чистими і вільними від масла і мастила.

- **Вимикайте електроінструмент.** Якщо не використовується, перед техобслуговуванням і при зміні приладдя, такого, як леза, свердла і різакі, від'єднайте інструменти від джерела живлення.
- **Видалити регулювальні й гайкові ключі.** Сформуєте звичку перевіряти, що регулювальні ключі і гайкові ключі прибрані з інструменту перед його включенням.
- **Уникайте ненавмисного запуску.** Переконайтеся, що вимикач знаходиться в положенні «вимкнено» при підключенні.
- **Використовуйте подовжуючі дроти для відкритого повітря.** Коли інструмент використовується на вулиці, використовуйте тільки шури, призначені подовжувачі для використання на відкритому повітрі і так помічені.
- **Будьте пильні.** Дивіться, що ви робите, використовуйте здоровий глузд і не використовуйте інструмент, коли ви втомилися.
- **Перевіряйте ушкоджені частини.** Перед подальшим використанням інструменту, він повинен бути ретельно перевірений, щоб визначити, що він буде правильно працювати і виконувати свої функції. Перевірте вирівнювання рухомих частин, з'єднання рухомих частин, полумки частин, монтаж та будь-які інші умови, які можуть вплинути на його роботу. Запобіжник або інша частина, яка пошкоджена, повинні бути правильно відремонтовані або замінені в авторизованому сервісному центрі, якщо інше не зазначено в цьому посібнику. Несправні вимикачі повинні замінюватися в авторизованому сервісному центрі. Не використовуйте електроінструмент, якщо перемикач не включає та вимикає його.
- **Попередження.** Використання будь-якого приладдя або пристосувань, крім рекомендованих у цьому посібнику, може становити небезпеку отримання травм.
- **Ремонтуйте інструмент за допомогою кваліфікованих фахівця.** Цей електричний інструмент відповідає відповідним правилам безпеки. Ремонт повинен проводитися тільки кваліфікованими фахівцями з використанням оригінальних запасних частин, в іншому випадку це може призвести до серйозної небезпеки для користувача.

ЗАХОДИ БЕЗПЕКИ ПРИ РОБОТІ З РУБАНКОМ

- Завжди надягайте захисні окуляри та засоби захисту органів слуху при використанні машини.

- Одягніть рукавички перед тим як брати ріжучий блок або необроблений матеріал, щоб зменшити ризик травмування гострими краями.
- Носіть маску для обличчя або маску від пилу, якщо операція курна.
- Перед запуском машини переконайтеся, що всі кріпильні гвинти надійно затягнуті.
- Перш ніж здійснювати будь-які налаштування вимкніть двигун та від'єднайте прилад від джерела живлення.
- Перед початком роботи переконайтеся, що всі захисні частини знаходяться на місці.
- Прочитайте керівництво оператора та ретельно ознайомтеся з машиною перед експлуатацією.
- Не підштовхуйте заготовку вручну на машину. Дозвольте приладу застосувати відповідну швидкість подачі.
- Час від часу перевіряйте ролики подачі, щоб бути впевненим, що деревна, тирса і стружка не потрапили між елементами приладу. Якщо ролики не щільно закріплені, то під час подачі заготовки вони не притискатимуть деревину щільно до основи, створюючи віддачу.
- Переконайтеся, щоб роляганги знаходилися на одній площині з робочим столом під час стругання, а ролики могли вільно обертатися при струганні довгих заготовок.
- Використовуйте прилад виключно для стругання плоских сухих деревних брусків.
- Використовуйте якісну деревину без м'яких сучків і якомога меншою кількістю твердих сучків.
- Ніколи не стійте поряд з приладом на одній лінії зі стороною подачі або вивантаження. Завжди стійте по один з боків машини.
- Переконайтеся, що заготовка вільна від цвяхів, шурупів, каменів та інших сторонніх предметів, які можуть пошкодити ножі.
- Переконайтеся, що ножі приєднані правильно, відповідно до інструкції.
- Будьте обережні при роботі з ножами та різальною головкою. Ножі дуже гострі та можуть легко порізати руку.
- Перед експлуатацією дозвольте різальній головці досягти повної швидкості.
- Коли кінець заготовки наближається до ножів, підштовхуйте її спеціальним штовхачем, а не рукою. Зберігайте штовхач на робочому столі, коли він не використовується.
- Використовуйте справні добре заточені ножі.





українська мова

- Використовуйте тільки ножі призначені для цього приладу.
- Перед використанням переконайтеся, що стругальний верстат надійно встановлено. Зверніть особливу увагу на стійкість при струганні довгих заготовок.
- Тримайте руки подалі від ножа, коли він рухається.
- Не робіть глибших надрізів, ніж 3 мм (1/8").
- Одягайте захисні окуляри, які відповідають вашим місцевим правилам безпеки.
- Перш ніж виймати затиснуту заготовку, дочекайтеся зупинки ножа та відключіть електроживлення.

⚠ ПОПЕРЕДЖЕННЯ

Ніколи не здійснюйте наступні операції:

- Зупинення роботи (будь-яке стругання неповної довжини заготовки)
- Стругання виімок, шипів або форм
- Стругання деревини з нерівномірними вигинами та нерівномірним контактом з поверхнею подачі

СТОПОР ПРОТИ ВИКИДАННЯ

Дивіться малюнок 2.

- Стопор проти викидання являє собою пристрій, який, при належній установці та обслуговуванні, призначений для стримування заготовки від її відкидання у напрямку передньої частини ножів під час роботи.

ЯК УНИКНУТИ ВИКИДАННЯ ЗАГОТІВКИ

- Завжди здійснюйте правильне налаштування глибини ножів.
Перевірте заготовку на наявність сучків або цвяхів перед початком стругання. Відбійте будь-які сучки, що хитаються за допомогою молотка. Ніколи не здійснюйте стругання заготовок з сучками, що хитаються або цвяхами.
- Завжди використовуйте чисті, гострі та правильно закріплені ножі.
- Ніколи не використовуйте прилад із тупими ножами.
- Щоб уникнути затискання ножа, забезпечте належну підготовку до роботи перед початком експлуатації.
- Під час стругання застосовуйте стійкий рівномірний тиск. Ніколи не застосовуйте до приладу силу.
- Не стругайте вологу або пожолоблену деревину.
- Завжди тримайте заготовку міцно обома руками,

утримуйте своє тіло у збалансованому положенні, щоб бути готовим протистояти вידдачі. Ніколи не стійте на одній лінії із заготовкою.

ЗАЛИШКОВІ РИЗИКИ

Навіть коли продукт використовується як написано, залишається неможливим повністю усунути деякі залишкові чинники ризику. Оператор повинен приділяти особливу і підвищену увагу до цих пунктів для того, щоб знизити ризик отримання серйозної травми.

- Пошкодження слуху – Носіть захисні навушники і обмежіть вплив.
- Пошкодження зору – Носіть захисні окуляри або окулярні щити при використанні продукту.
- Дихальні пошкодження від пилу, створеного експлуатацією продукту – Носіть відповідний захист в залежності від типу пилу.

ЕЛЕКТРИЧНЕ ПІДКЛЮЧЕННЯ

Цей інструмент працює від вбудованого електродвигуна. Він повинен бути підключений тільки до мережі змінного струму 220-240 В (стандартна побутова електрична мережа), 50 Гц. Не використовуйте цей продукт з постійним струмом (ПС). Значне падіння напруги призведе до втрати потужності та мотор буде перегріватися. Якщо продукт не працює, коли підключений до розетки, перевірте електророзетку.

ШВИДКІСТЬ І ПРОВОДКА

Швидкість холостого ходу цього інструменту становить приблизно 9000 обертів на хвилину. Ця швидкість не постійна і зменшується при навантаженні або при більш низькій напрузі. Для напруги, провідка в майстерні так само важлива, як кількість кінських сил для двигуна. Лінія призначена тільки для живлення освітлення, непридатна для двигуна електроінструменту. Дріт, який є досить важким для короткої відстані буде занадто легким для більшої відстані. Лінія, яка живить лише один механічний інструмент не в змозі живити два або три інструменти.

Якщо шнур живлення пошкоджений, він повинен бути замінений тільки виробником або в авторизованому сервісному центрі, щоб уникнути ризику.

Підключайте пристрій лише до штепсельних розеток, які мають таку ж конфігурацію, як і штепсельна вилка. Не використовуйте адаптер з цим приладом.

Для більшої безпеки і надійності, всі ремонтні роботи повинні виконуватися уповноваженим RYOBI сервісним центром.



українська мова

Захист у вигляді пристрою захисного відключення повинен бути забезпечений у електричному колі(-ах) або розетці(-ках), які будуть використовуватися разом із приладом. Розетки, які можливо мають вбудований пристрій захисного відключення і можуть бути використані для цього заходу безпеки

Якщо прилад використовується із подовжувачем, переконайтеся, що з'єднання кабелю живлення інструменту і подовжувача знаходиться не на землі. Допоміжні пристрої завжди повинні бути підключені до настінної електричної розетки, а не до подовжувача і шнура живлення електроінструмента.

За відсутності захищеної розетки забороняється використовувати прилад поки не буде змінено розетку або забезпечено додатковий захист. Ці допоміжні пристрої захисту доступні в найближчому магазині.

ПЕРЕЛІК ДОДАТКОВИХ ДЕТАЛЕЙ

Деталь	Опис	Кількість
2	Корбове руків'я регулювання різальної головки по висоті	1
7	Гвинти фіксування основи	4
8	Ніжки	4
9	Стопорний гвинт ручки регулювання висоти	1
10	Штовхач	1
11	Калібрувальник установки ножа	1
12	Пальцева прокладка	2
13	Ключ ріжковий	1

ЗБИРАННЯ

ПЕРЕМІЩЕННЯ ВЕРСТАТА

Дивіться малюнок 3.

- Прилад можна переносити за допомогою ручок на обох сторонах рами. Перед переміщенням приладу переконайтеся, що розсувна робоча поверхня закрита.

УСТАНОВКА НИЖОК

- Прикріпіть ніжки до кутів в нижній частині приладу.

МОНТАЖ ВЕРСТАТУ НА ДЕРЕВ'ЯНУ ОСНОВУ

Дивіться малюнки 5-6.

- Якщо стругальний верстат не встановлено на підставці його можна встановити на двох дерев'яних брусках. Це забезпечить максимальну стабільність.
- Виберіть два бруска дерева відповідно до розмірів, показаних на малюнку. Встановіть прилад на дерев'яну поверхню.
- За допомогою чотирьох гвинтів фіксування основи (в комплекті) прикріпіть верстат до дерев'яної основи.

ПІДСТАВКА ДЛЯ ЗАГОТІВОК

Дивіться малюнок 7.

- Підставка для заготовок на верхній частині верстата забезпечує зручність розміщення заготовок для їх послідовного стругання. Оператор може легко дістати заготовки, розміщені на верхній частині верстата, для стругання.

ФУНКЦІОНУВАННЯ

ПЕРЕМИКАЧ ВКЛЮЧЕННЯ/ВИМИКАННЯ

Дивіться малюнок 8.

- Щоб включити прилад натисніть кнопку "I". Щоб вимкнути натисніть кнопку "O".

⚠ ПОПЕРЕДЖЕННЯ

Перед підключенням пристрою до джерела живлення завжди спочатку переконайтеся, що вимикач знаходиться в положенні "OFF".

ВИМИКАЧ ПРИ ПЕРЕВАНТАЖЕННІ МЕРЕЖІ

Дивіться малюнок 8.

- Верстат оснащений вимикачем перевантаження для захисту від перевантаження. При виникненні перевантаження вимикач вискочить. Якщо це станеться зачекайте кілька хвилин і натисніть на вимикач для перезавантаження апарату.

РЕГУЛЮВАННЯ ШКАЛИ ГЛИБИНИ РІЗАННЯ

Дивіться малюнок 9.

⚠ ПОПЕРЕДЖЕННЯ

Ніколи не зрізуйте більше 3 мм за один прохід і не намагайтеся стругати дошку менше 127 мм (5 дюймів) довжиною. Завжди одягайте захисну маску для обличчя.



українська мова

- Для регулювання глибини різання поверніть корбове руків'я регулювання різальної головки по висоті в напрямках, позначених на верхній частині верстата. Зміну глибини різання можна відміряти лінійкою глибини різання. Градація зміни глибини складає 1,6 мм на оберт рукоятки.
- Завжди починайте роботу, роблячи легкий стругальний рух. Глибина різання на наступних проходах може бути збільшена до 3 мм, але пам'ятайте, що легке стругання забезпечує більш тонку обробку, ніж стругання із зусиллям.
- Товщина деревини, що проходить через верстат контролюється відстанню між різальним ножом та робочою поверхнею.
 - Не стругайте деревину із товщиною менше 7 мм.
 - Не стругайте деревину із товщиною більше ніж 153 мм (6 дюймів).

ВІДРЕГУЛЮЙТЕ ШКАЛУ ГЛИБИНИ РІЗАННЯ

Дивіться малюнок 9.

Для безпечної експлуатації вашого приладу дуже важлива точність шкали глибини різання. Для регулювання шкали глибини різання виконайте наступні дії:

- Пропустіть дошку через стругальний верстат. Порівняйте виміряну товщину дошки із шкалою глибини різання.
- Якщо показання шкали глибини різання неправильні, відкрутіть гвинт, який затискає пластиковий покажчик і зробіть відповідні налаштування.
- Після того як ви правильно відрегулювали шкалу глибини різання перевірте показання шляхом стругання непотрібного бруску деревини. Після стругання виміряйте товщину та уважно порівняйте його з показником шкали. Два вимірювання повинні збігатися. Повторно відрегулюйте шкалу глибини різання та виміряйте товщину заготівки, якщо це необхідно.

ЗНЯТТЯ НОЖІВ З ВЕРСТАТА

Дивіться малюнки 10-12.

Для зняття ножів виконайте наступні дії:

▲ ПОПЕРЕДЖЕННЯ

Перед тим як знімати ножі, від'єднайте прилад від джерела живлення.

- Зніміть жолоб для пилу, відкрутивши чотири шестигранні гвинти з циліндричною головкою на

ньому.

- Відпустіть планку блокування та ніж, повернувши силові гвинти за годинниковою стрілкою. Ножі підпружинені та їх виштовхне, коли збірка послабиться.
- Вийміть ніж, а потім планку блокування ножа.

УСТАНОВКА/ЗАМІНА НОЖІВ ВЕРСТАТА

Дивіться малюнок 12.

Для установки ножів виконайте наступні дії:

- Видаліть ножі відповідно до інструкцій, наведених у розділі "ЗНЯТТЯ НОЖІВ З ВЕРСТАТА".
- Очистіть різальну головку верстату від тирси.
- Встановіть планку блокування ножа у паз на різальній головці.
- Встановіть ніж у паз на різальній головці і затягніть планку блокування ножа у зборі, закрутивши силові гвинти проти годинникової стрілки. Переконайтеся в тому, що ніж повернутий у правильному напрямку і знаходиться в центрі паза.
- Встановіть висоту ножа відповідно до інструкцій в розділі "НАЛАШТУВАННЯ ВИСОТИ НОЖА". Висоту ножа необхідно налаштувати кожен раз, коли ножі виймаються з будь-якої причини.
- Не забудьте замінити жолоб для пилу після того, як ножі встановлено.

НАЛАШТУВАННЯ ВИСОТИ НОЖА

Дивіться малюнки 13-14.

- Щоб отримати виступ ножа на 1.1 мм, помістіть калібрувальник установки ножа на різальну головку, щоб обидві напрямні знаходились впритул до ножа.
- Відпустіть вузол, повернувши відкритим гайковим ключем сім силових гвинтів за годинниковою стрілкою.
- Коли калібруючі напрямні тиснуть на ніж, піднімаючи його на необхідну висоту, підтягніть вузол, повертаючи силові гвинти проти годинникової стрілки. Переконайтеся, щоб всі сім силових гвинти були надійно затягнуті.

▲ ПОПЕРЕДЖЕННЯ

Вістря ножів дуже чутливі до зазублин. Будьте обережні працюючи з калібрувальником поблизу ножів, щоб не пошкодити їх.





українська мова

⚠ ПОПЕРЕДЖЕННЯ

Вузол повинен бути надійно затягнутий, щоб запобігти нещасним випадкам під час стругання.

ПІДКЛЮЧЕННЯ СИСТЕМИ ЗБОРУ ПИЛУ

Дивіться малюнок 19.

Пил, що утворюється при використанні цього інструменту може бути шкідливим для здоров'я. Використовуйте систему уловлювання пилу і ретельно видаляйте обложений пил, наприклад, за допомогою пилососа.

Для підключення системи збору пилу:

- Відключіть продукт.
- Під'єднайте сопло системи збору пилу до жолобу для пилу.

Періодично очищайте шланг системи збору пилу, щоб уникнути накопичення пилу.

РЕГУЛЮВАННЯ

ПАРАЛЕЛЬНЕ ВИРІВНЮВАННЯ РІЗАЛЬНОЇ ГОЛОВКИ ТА РОБОЧОЇ ПОВЕРХНІ

Дивіться малюнки 15-18.

Здійсніть стругання заготовки та виміряйте товщину після цього. Якщо товщина по обидва боки заготовки різна, виконайте такі дії:

Налаштуйте вал різака та робочу поверхню таким чином, щоб вони були паралельні. Інструменти для перевірки показані на малюнку 15. Використовуйте тверду деревину, щоб зробити інструмент калібрування відповідно до розміру, показаного на малюнку. Зробіть налаштування у відповідності до таких процедур:

- Зніміть корбове руків'я регулювання по висоті та верхні й бічні кришки, викрутивши гвинти з внутрішнім шестигранником, відкривши контргайки регулювання висоти.
- Відпустіть контргайки регулювання висоти.
- Налаштуйте контргайки регулювання висоти вгору або вниз у міру необхідності відповідно до калібрувального блоку.
- Коли необхідну висоту налаштовано затягніть контргайки в цьому положенні.
- Зберіть бокові та верхні кришки і замініть корбове руків'я регулювання по висоті.

ПРИМІТКА: Видаліть калібрувальний блок перед запуском апарату.

Стругання - це формування розміру матеріалу до необхідної товщини, при цьому створюючи гладку

поверхню, паралельну протилежній стороні дошки.

Мистецтво рейсмусування полягає в основному у використанні гарного судження про глибину різання в різних ситуаціях. Ви повинні взяти до уваги наступне:

1. Ширина деревини
2. Твердість деревини
3. Сирість деревини
4. Прямолінійність дошки
5. Напрямок зерна
6. Структура зерна

Як ці фактори можуть вплинути на якість роботи можна виявити тільки з досвідом. Завжди, коли працюєте з новим типом дерева або деревом з незвичайними проблемами, завжди робіть пробні різні на чорновому матеріалі, перш ніж працювати із справжніми заготовками.

ЩОДО ДОДАТКОВОГО СТРУГАННЯ

Якщо для отримання бажаної товщини обробки необхідне додаткове стругання, поверніть рукою різальну головку на максимум 3 мм (в будь-який момент часу) і здійсніть ще один прохід.

⚠ ПОПЕРЕДЖЕННЯ

Ніколи не зрізуйте більше 3 мм за один прохід і не намагайтеся стругати дошку менше 127 мм (5 дюймів) довжиною. Завжди одягайте захисну маску для обличчя.

ОБСЛУГОВУВАННЯ

⚠ ПОПЕРЕДЖЕННЯ

Завжди переконайтесь, що шнур живлення був видалений з мережі джерела живлення перед проведенням регулювань, змащуванням або при виконанні технічного обслуговування на продукті.

ПОВТОРНЕ ЗАТОЧУВАННЯ НОЖА

Якщо необхідне повторне заточування ножа, це допускається тільки для затиснутої частини ножа.

ЗМАЩУВАННЯ

- Рекомендоване змащування для роликових ланцюгів, що використовуються в середньому або низькому режимі експлуатації: просто протирати ланцюг, тримаючи його в чистоті. Коли збирається надлишок накопиченого пилу або деревної стружки, тощо, покрийте ланцюг тонким шаром мастила, але ніколи не лейте мастило безпосередньо на ланцюг.



українська мова

Надмірне змащування мастилом прискорює збір пилу і стружки, через що вони потрапляють між частин ланцюга, що призводить до підвищеного зносу і передчасної заміни. Це стосується і зниження швидкості та ланцюгів регулювання висоти, а також гвинтів регулювання висоти.

- Підшипники на різальній головці змащені та запечатані заводом-виробником. Вони не вимагають додаткового догляду.

ПЕРІОДИЧНЕ ТЕХНІЧНЕ ОБСЛУГОВУВАННЯ

- Накопичення тирси та інших речовин може призвести апарат до поганої якості стругання. Періодичне очищення є обов'язковим для точного стругання та настійно рекомендується.
- Частини, які щільно прилягають, такі як стопорна пластина і щілини різальної головки стругального верстату повинні бути очищені за допомогою щітки; приберіть сторонні предмети, що причепилися. Потім поверніть усі деталі у відповідне положення злегка змастивши їх.
- Приберіть смолу та інші забруднення з роликів і столу за допомогою розчинника, що не займається.

ТРАНСПОРТУВАННЯ ТА ЗБЕРІГАННЯ

При транспортуванні, відключіть кабель живлення та демонтуйте пристрій. Пристрій слід переносити за допомогою ручок на обох сторонах рами. Зберігайте продукт в надійному місці, недоступному для дітей.

Очистіть продукт, використовуючи щітку та пилосос перед зберіганням.

ЗАХИСТ НАВКОЛИШНЬОГО СЕРЕДОВИЩА.



Переробляйте сировину замість утилізації в якості відходів. Машини, обладнання та упаковка повинні бути відсортовані для дружньої для навколишнього середовища утилізації.

СИМВОЛ



Попередження безпеки



CE відповідність



Будь ласка, уважно прочитайте інструкцію перед запуском продукту.



Інструмент II класу, подвійна ізоляція



Носіть захист слуху



Завжди надягайте захисні окуляри.



Напрямок обертання леза



Максимальна глибина стругання за один прохід



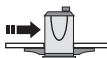
Мінімальна довжина стругання



Максимальна ширина зрізання



Висота стругання



Швидкість подачі



Довжина леза



Опустити ніж



Підняти ніж



Відходи електротехнічної продукції не слід викидати разом із побутовими відходами. Будь ласка, переробляйте там, де наявне устаткування. Перевірте з вашим місцевим органом влади або продавцем для консультацій з приводу переробки.

українська мова

ПОШУК І УСУНЕННЯ НЕСПРАВНОСТЕЙ

Проблема	Можлива причина	РІШЕННЯ
Зерно нечітке.	<ol style="list-style-type: none"> 1. Стругана деревина з високим вмістом вологи. 2. Леза тупі. 	<ol style="list-style-type: none"> 1. Висушіть деревину. 2. Заточіть леза.
Зерно пошкоджено.	<ol style="list-style-type: none"> 1. Різання занадто важке. 2. Леза ріжуть проти зерна. 3. Леза тупі. 	<ol style="list-style-type: none"> 1. Виберіть належну глибину різання. 2. Подайте заготовку із зерном, або поверніть заготовку навколо. 3. Заточіть леза.
Зерно нерівномірне/рельєфне.	<ol style="list-style-type: none"> 1. Леза тупі. 2. Різання занадто важке. 3. Вміст вологи занадто високий. 4. Підшипники різальної голівки пошкоджені. 	<ol style="list-style-type: none"> 1. Заточіть леза. 2. Виберіть належну глибину різання. 3. Висушіть деревину. 4. Замінити підшипники.
Нерівномірна глибина різання з боку в бік.	<ol style="list-style-type: none"> 1. Виступ ножа є нерівномірним. 2. Різальна головка не вирівняна щодо основи стругального верстата. 	<ol style="list-style-type: none"> 1. Налаштуйте виступ ножа. 2. Вирівняйте ріжучу головку до столу.
Товщина дошки не відповідає шкалі глибини різання.	<ol style="list-style-type: none"> 1. Глибина різання невірна. 	<ol style="list-style-type: none"> 1. Відрегулюйте шкалу глибини різання
Ланцюг стрибає.	<ol style="list-style-type: none"> 1. Зірочки розрегульовані. 2. Зірочки зношені. 	<ol style="list-style-type: none"> 1. Зіставте зірочки 2. Замінити зірочку.
Інструмент не запускається / перезавантажується.	<ol style="list-style-type: none"> 1. Інструмент не підключений. 2. Відмова двигуна. 3. Провід ослаблений. 4. Скидання перевантаження не вдалося. 5. Відмова пускача двигуна. 	<ol style="list-style-type: none"> 1. Перевірте джерело живлення. 2. Перевірте двигун. 3. Перевірку двигуна повинен проводити уповноважений агент з обслуговування. 4. Заждіть доки двигун охолоне і перезапустіть його. 5. Перевірку пускача двигуна повинен проводити уповноважений агент з обслуговування.
Повторне відключення ланцюга призводить до зупинки двигуна.	<ol style="list-style-type: none"> 1. Подовжувач занадто довгий або занадто тонкий. 2. Леза дуже тупі. 3. Низька робоча напруга. 	<ol style="list-style-type: none"> 1. Використовуйте коротший або більш товстий подовжувач. 2. Заточіть або замініть ножі. 3. Перевірте напругу.
Погана подача деревини	<ol style="list-style-type: none"> 1. Стіл стругального верстата забруднений. 2. Ролик подачі пошкоджений. 3. Зірочка пошкоджена. 4. Несправності коробки передач. 	<ol style="list-style-type: none"> 1. Очистіть крок та залишок та змастять стіл стругального верстата. 2. Замініть ролик. 3. Замінити зірочку. 4. Перевірте коробку передач.
Заготовка затиснена.	<ol style="list-style-type: none"> 1. Недостатня висота установки леза. 	<ol style="list-style-type: none"> 1. Помістіть ніж на потрібну висоту.



Türkçe

AÇIKLAMA

1. Üst korkuluk
 2. Kesici kafa yükseklik ayarlama krank kolu
 3. Kesme cetveli derinliği
 4. Güç anahtarı
 5. Aşırı yük anahtarı
 6. Tabla uzatma
 7. Taban kilit vidaları
 8. Ayaklar
 9. Yükseltme düğmesi kilit vidası
 10. İtme kolu
 11. Bıçak ayar ölçüsü
 12. Altıgen anahtar
 13. Açık ağızlı anahtar
 14. Plastik ibre
 15. Toz oluşu
 16. Altıgen havşalı kapak vidaları
 17. Baskı vidaları
 18. Bıçak ayar ölçüsü
 19. Kilit çubuğu
 20. Kilit vidaları
 21. Bıçaks
 22. Yay
 23. Aлын vidaları
 24. Yükseklik ayar somunu
- Planyanızın tasarımında güvenlik, performans ve güvenilirliğe en yüksek öncelik verilmiştir.

KULLANIM AMACI

Planya, ahşap planyalamak için geliştirilmiştir. Bu ürünü, belirtilen alanların dışındaki herhangi bir uygulama için kullanmayın.

GENEL EMNİYET UYARILARI

⚠ UYARI

Elektrikli aletleri kullanırken, yangın, elektrik çarpması, yanma ve diğer yaralanma risklerini azaltmak için bazı temel güvenlik tedbirleri dikkate alınmalıdır. Ürünü çalıştırmayı denemeden önce tüm talimatları okuyun ve saklayın.

- **Çalışma alanını temiz tutun.** Karmaşık alanlar ve tezgahlar, yaralanmalara davetiye çıkarır.
- **Çalışma ortamını inceleyin.** Aletleri yağmura maruz bırakmayın. Aletleri ıslak ya da nemli ortamlarda kullanmayın. Çalışma alanını iyi ışıklandırın. Aleti, yanıcı sıvıların veya gazların bulunduğu ortamda kullanmayın.

- **Elektrik çarpmasına karşı koruma sağlayın.** Şaşılennmiş veya topraklanmıř yüzeyle temas etmekten kaçının (borular, radyatörler, ocaklar, buzdolapları vs.).
- **Başka insanları yaklařtırmayın.** İnsanların, özellikle de çocukların işe müdahil olmasına, alete veya uzatma kablosuna dokunmasına asla müsaade etmeyin; çalışma alanından uzak tutun.
- **Bořta duran aletler.** Kullanılmadıkları zamanlarda, aletleri kuru, kilitli ve çocukların ulaşamayacağı bir yerde saklayın.
- **Alete güç uygulamayın.** İşin, amacına uygun seviyede kaliteli ve emniyetli yapılmasını sağlayacaktır.
- **Doğru cihaz kullanın.** Küçük aletleri, ağır iş aletleriyle yapılması gereken zorlu işlerde kullanmayın. Aletleri kullanım amaçlarının dışında kullanmayın; örneğın, yuvarlak testereleri ağaç dallarını veya kütükleri kesmede kullanmayın.
- **Uygun giysiler giyin.** Bol kıyafet giymeyin, ziynet eşyası takmayın; hareketli parçalara kapılabilir. Açık mekanlarda çalışırken kaymaz ayakkabı giymeniz tavsiye edilir. Saçınızı tamamen kapatacak koruyucu saç bonesi takın.
- **Koruyucu ekipman kullanın.** Emniyet gözlükleri takın. Çalışma ortamında toz çıkıyorsa, yüz veya toz maskesi takın.
- **Toz çekme ekipmanını bağlayın.** Toz atma ya da toplama ekipmanı bağlantısı da aletle kullanılıyorsa, bunların doğru bağlandığından ve kullanıldığından emin olun.
- **Elektrik kablosunu kötü kullanmayın.** Kabloyu soketten çıkarmak için asla sertçe çekmeyin. Kabloyu ısıdan, yağdan ve keskin nesnelere uzak tutun.
- **İş emniyete alın.** Mümkünse, çalışmaya ara verdiğınızde kelepçe veya mengeneyle sabitleme yapın. Ellerinizi kullanmaktan daha güvenli dir.
- **Aşırı derecede uzanmayın.** Her zaman güvenli ve dengede durun.
- **Aletlere özenle bakım yapın.** Daha iyi performans ve daha yüksek güvenlik için, kesme aletlerini keskin ve temiz tutun. Aksesuar yağlama ve aksesuar değıřtirme için, mutlaka talimatlara uyun. Alet kablolarını periyodik olarak kontrol edin, hasarlı olanların yetkili serviste onarılmasını sağlayın. Uzatma kablosunu düzenli aralıklarla kontrol edin ve hasar görmüşse değıřtirin. Kolların kuru, temiz ve yağdan/gresten arınmış olmasına özen gösterin.
- **Aletlerin fişini çekin.** Kullanılmadıkları zamanlarda, bıçaklar, matkap uçları ve kesiciler gibi aletlere bakım yapmadan veya değıřtıirmeden önce, mutlaka aletlerin fişini çekin.





Türkçe

- **Ayarlama anahtarlarını ve somun anahtarlarını çıkarın.** Aleti çalıştırmadan önce anahtarların ve ayar anahtarlarının aletten çıkarıldığını kontrol etmeyi alışkanlık haline getirin.
 - **İstemsiz çalıştırmalardan kaçının.** Aletin fişini takarken, düğmenin "off (kapalı)" konumunda olduğundan emin olun.
 - **Açık mekan için uygun uzatma uçları kullanın.** Alet dış mekanda kullanılıyorsa, sadece dış mekan için üretilmiş ve bu özelliği üzerinde belirtilmiş uzatma kablolarını kullanın.
 - **Her zaman tetikte olun.** Yaptığınız işi izleyin, duyarlı olun ve yorulduğunuz zaman aleti kullanmaya ara verin.
 - **Hasarlı parçalara karşı kontrol edin.** Aleti kullanmaya devam etmeden önce, doğru ve amacına uygun bir şekilde kullanılıp kullanılmayacağını dikkatlice kontrol edin. Hareketli parçaların hizalamasını, yüzeye yapışıp yapışmadığını, parçalarda kırılma olup olmadığını, montaj konumunu ve aletin çalışmasını etkileyebilecek diğer koşulların bulunup bulunmadığını kontrol edin. Hasar gören bir koruma ya da başka bir parça, aksi bu kullanım kılavuzunda belirtilmedikçe yetkili servis merkezi tarafından onarılmalı ya da değiştirilmelidir. Arızalı anahtarlar yetkili servis tarafından değiştirilmelidir. Alt düğmeyle açılıp kapatılmıyorsa, aleti kullanmayın.
 - **Uyari.** Bu kullanım kılavuzunda tavsiye edilenlerin dışında aksesuar veya ataşman kullanılması, kişisel yaralanma riskine neden olur.
 - **Alet mutlaka yetkili teknisyen tarafından onarılmalıdır.** Bu elektrikli alet, yürürlükteki emniyet normlarına uygundur. Onarım işleri, sadece orijinal parçaları kullanan kalifiye teknisyenler tarafından yapılmalıdır; aksi takdirde kullanıcı ciddi biçimde zarar görebilir.
- İşlemden önce operatör el kitabını dikkatle okuyup makineye aşına olun.
 - Makineyi zorla beslemeyin. Ürünün kendi besleme hızını uygulamasına izin verin.
 - Bileşenler arasında talaş ve tahta kırıntısı bulunmadığından emin olmak için besleme silindirlerini arada bir kontrol edin. Silindirler yerlerine sıkıca oturmuşsa, besleme silindirleri tomruğu yatağa sıkıca bastırmayacak, bu durum geri tepmeye neden olacaktır.
 - Ahşap planyalarken silindir tablalarının tezgahla aynı düzlemde bulunduğu ve uzun parçalar planyalarken silindirlerin serbestçe döndüğünden emin olun.
 - Ürünü sadece kuru ahşap paneller planyalamak için kullanın.
 - Gevşek budağı olmayan ve olabildiğince az sıkı budağa sahip ağaç kullanın.
 - Besleme ve çıkışı taraflarıyla aynı hizada durmayın. Her zaman makinenin bir yanında durun.
 - Çalışma parçasında çivi, vida, taş ve bıçaklara zarar verebilecek yabancı cisimlerin bulunmadığından emin olun.
 - Bıçakların talimatlarda belirtildiği gibi, doğru tespit edildiğinden emin olun.
 - Bıçakları ve kesici kafa takımını kullanırken dikkatli olun. Bıçaklar keskindir ve elinizi kolayca kesebilir.
 - Kullanmadan önce kesici kafanın tam hızına erişmesine izin verin.
 - Çalışma parçasının ucu bıçaklara yaklaşırken itmek için eliniz yerine itme kolunu kullanın. Kullanılmadığı zaman, itme kolunun tezgah içinde muhafaza edilmesi gerekir.
 - İyi bilenmiş ve bakımı yapılmış bıçak kullanın.
 - Sadece bu ürün için geliştirilmiş bıçak kullanın.
 - Planyanın kullanımdan önce emniyetli bir şekilde takıldığından emin olun. Uzun çalışma parçalarını planyalarken ekstra dikkat edin.
 - Hareket halindeyken ellerinizi bıçaktan uzak tutun.
 - 3mm'den (1/8") daha derin kesimler yapmayın.
 - Yerel emniyet standartlarına uygun göz koruması kullanın.
 - Bıçak durana ve güç KAPALI olana dek sıkışmış parçaları çıkarmayın.

PLANYA GÜVENLİK UYARILARI

- Elektrikli aleti kullanırken her zaman koruyucu gözlük ve kulaklık kullanın.
- Keskin kenarlarda yaralanma riskini azaltmak için kesme bloku ve kaba malzemeyle çalışırken eldiven kullanın.
- Çalışma toz çıkartıyorsa, yüz koruyucusu ya da toz maskesi kullanınız.
- Makineyi çalıştırmadan önce bütün tutucu vidalarını sıkıştırıldığından emin olun.
- Herhangi bir ayar yapmadan önce her zaman motoru durdurup güç kaynağından ayırın.
- Çalıştırmadan önce bütün korkulukların yerinde olup olmadığını kontrol edin.





Türkçe

⚠ UYARI

Aşağıdaki işlemlere asla kalkışmayın:

- Durdurmalı iş (örn. çalışma parçasının tam uzunluğunu kapsamayan herhangi bir kesme işi)
- Girinti, zıvana ya da kalıp planyalama
- Besleme tablasıyla yeterli teması olmayan, kötü bükülmüş tahta

GERİ TEPME ÖNLEYİCİ DİLLER

Şekle bakınız 2.

- Geri tepme önleyici dil, gerektiği gibi takılıp bakımı yapıldığında çalışma parçasının işlem sırasından bıçağın ön tarafına doğru itilmesini önleyen bir düzendir.

GERİ TEPMEYİ ÖNLEME

- Her zaman doğru bıçak derinlik ayarını kullanın. Kesme işlemine başlamadan önce parçayı budak veya çivi açısından inceleyin. Gevşek budakları bir çekiçle çıkarın. Asla gevşek bir budağı ya da çiviye kesmeye kalkmayın.
- Her zaman temiz, keskin ve doğru tespit edilmiş bıçak kullanın.
- Ürünü asla körelmiş bıçaklarla kullanmayın.
- Bıçağın sıkışmasını engellemek için, işleme başlamadan önce çalışma parçasını gerektiği gibi destekleyin.
- Planyalarken sabit, eşit basınç uygulayın. Ürünü asla zorlamayın.
- Yaş ya da bükülmüş tomruk planyalamayın.
- İş parçasını her zaman iki elle sıkıca tutun, geri tepmeye direnmeye hazır olmak için vücudunuzu dengeleyin. Tomrukla asla aynı hızda durmayın.

ARDIL RİSKLER

Ürün belirtildiği şekilde kullanıldığı zaman bile belirli artık risk faktörlerinin tamamen ortadan kaldırılması mümkün değildir. Operatör ciddi kişisel yaralanma riskini azaltmak için bu hususlara özellikle çok dikkat etmelidir.

- İşitme hasarı – Uygun bir kulaklık takın ve maruziyeti sınırlayın.
- Görme hasarı – Bu ürünü kullanırken uygun bir göz koruması veya gözlük takın.
- Ürün kullanılırken ortaya çıkan tozdan kaynaklanan solunum yolu rahatsızlığı – Tozun türüne göre uygun korunma tedbirlerini alın.

ELEKTRİK BAĞLANTISI

Bu ürün hassasiyetle entegre edilmiş elektrik motorundan güç alır. Cihaz 220~240 V, sadece AC (evlerdeki mevcut normal akım), 50 Hz olan bir güç kaynağına bağlanmalıdır. Bu cihaz doğru akımda (DC) çalıştırmayın. Önemli bir voltaj düşmesi güç kaybına neden olur ve motor aşırı ısınır. Bir prize taktığınızda cihaz çalışmıyorsa güç kaynağını ikin kez kontrol edin.

HIZ VE KABLO SİSTEMİ

Bu aletin yüksüz hızı yaklaşık 9000 dev./dak.'dır. Bu hız sabit değildir ve yük veya düşük gerilim altında düşer. Gerilim için, kablo sisteminin bir atölyede yapılması motorun beygir gücü derecelendirmesi kadar önemlidir. Sadece aydınlatma için tasarlanmış bir hat bir elektrikli aletin motorunu tam olarak taşıyamaz. Kısa bir mesafe için yeterli kadar ağır olan kablo dada uzun bir mesafe için hafif olacaktır. Bir elektrikli aleti destekleyebilen bir hat iki veya üç elektrikli aleti destekleyemeyebilir.

Elektrik kablosu hasar görmüşse tehlikeyi önlemek için sadece üretici veya yetkili bir servis merkezi tarafından değiştirilmelidir.

Ürünü sadece fişle aynı yapılandırmaya sahip bir prize takın. Bu ürünle birlikte adaptör kullanmayın.

Daha fazla güvenlik için, tüm onarımlar RYOBI Yetkili Servis Merkezinde gerçekleştirilmelidir.

Ürün için kullanılacak devre ve prizlerde kaçak akım rölesi koruması bulunmalıdır. Dahili AAC korumaya sahip prizler bulunmaktadır ve bu güvenlik tedbiri için kullanılabilir.

Ürün bir uzatma kablosuyla kullanılacaksa, ürünün güç kablosuyla uzatma kablosu bağlantısının yerde olmamasına dikkat edin. Yardımcı cihazlar daima bir duvar prizine takılmalıdır, bir uzatma kablosunun bağlantısında ve elektrikli aletin elektrik kablosunda takılı olmamalıdır.

Korunmalı bir priz mevcut değilse, priz değiştirilene ya da ek koruma saplanana kadar ürünü kullanmayın. Bu yardımcı koruma cihazlarını yerel satıcınızda bulabilirsiniz.

GEVŞEK PARÇA LİSTESİ

Kalem	Açıklama	Mikt.
2	Kesici kafa yükseklik ayarlama krank kolu	1
7	Taban kilit vidaları	4
8	Ayaklar	4
9	Yükseltme düğmesi kilit vidası	1
10	İtme kolu	1
11	Bıçak ayar ölçüsü	1





Türkçe

12	Altıgen anahtar	2
13	Açık ağızlı anahtar	1

MONTAJ

PLANYANIN TAŞINMASI

Şekle bakınız 3.

- Ürün şasinin her iki yanındaki tutamaklar kullanılarak taşınabilir. Ürünü yerinden kaldırmadan önce tabla uzatmalarının kapalı olduğundan emin olun.

AYAKLARIN YERLEŞTİRİLMESİ

- Ayakları ürünün dibindeki köşelere tespit edin.

PLANYANIN AHŞAP BİR TABANA MONTAJI

Bkz. şekil 5-6.

- Planyanın planya tezgahına yerleştirilmediği durumlarda, iki tahta parçası üzerine monte edilmesi önerilir. Böyle bir montaj azami denge sağlar.
- Şekilde gösterilen boyutlara göre iki tahta parçası seçin. Ürünü ahşap yüzeye monte edin.
- Planya tabanını ahşaba monte etmek dört taban kilit vidasını (teslimat kapsamındadır) kullanın.

TOMRUK DAYANAĞI

Şekle bakınız 7.

- Planyanın tepesindeki tomruk dayanağı birbirini izleyen işlemler için tomrukların rahatça işlenmesine imkan verir. Makinenin üzerine yerleştirilmiş tomruklar planyalanmak üzere operatör tarafından kolayca çekilebilir.

ÇALIŞTIRMA

AÇMA/KAPAMA ANAHTARI

Şekle bakınız 8.

- Ürünü çalıştırmak için I düğmesini çevirin. Kapatmak için, O düğmesine basın.

⚠ UYARI

Planyayı güç kaynağına bağlamadan önce, her zaman anahtarın OFF konumunda bulunduğundan emin olun.

DEVRE AŞIRI YÜK ANAHTARI

Şekle bakınız 8.

- Makine aşırı yük koruması için bir aşırı yük anahtarıyla donatılmıştır. Aşırı yüklenme halinde, anahtar dışarı

fırlar. Bu durumda birkaç dakika bekleyin ve makineyi sıfırlamak için anahtara basın.

KESİM DERİNLİĞİNİN AYARLANMASI

Şekle bakınız 9.

⚠ UYARI

Bir geçište asla 3 mm.den fazlasını planyalayamayın ve asla boyu 127 mm.den (5") kısa parçaları planyalayamayın. Her zaman koruyucu bir maske kullanın.

- Kesik derinliğini ayarlamak için, kesici kafa yükseklik ayarlayıcı krank kolunu planyanın tepesinde belirtilen yönlerde çevirin. Kesik derinliğinin ayarı kesme cetvelinin derinliğinden görülebilir. Ayar derecelenmesi krank dönüşü başına 1,6 mm.dir.
- İşinize her zaman ince bir planya kesiciyi yaparak başlayın. Birbirini izleyen geçişlerde kesik derinliği 3 mm.ye kadar yükseltilebilir; ancak ince kesiklerin kalınlara göre daha zarif bir yüzey oluşturacağını unutmayın.
- Planyanın içinden geçen tomruğun kalınlığı, kesme bıçağını tablaya göre ayarladığınız mesafeye belirlenir.
 - Kalınlığı 7 mm.den düşük tomrukları planyalayamayın.
 - Kalınlığı 153 mm.den (8") yüksek tomrukları planyalayamayın.

KESME CETVELİ DERİNLİĞİNİ AYARLAYIN.

Şekle bakınız 9.

Planyanızın güvenli işleme için, kesme cetvelinin derinliğinin doğru olması çok önemlidir. Kesme cetvelinin derinliğini ayarlamak için, aşağıdaki adımları izleyin.

- Planlama için bir tomruk besleyin. Tomruğun ölçülmüş kalınlığını kesme cetvelinin üzerindeki derinlikle kıyaslayın.
- Kesme cetveli üzerindeki derinlik doğru değilse, plastik ibreyi tespit eden vidayı gevşetin ve gerektiği gibi ayarlayın.
- Kesme cetveli üzerindeki derinliği gerektiği gibi ayarladıktan sonra, testi atık bir tomruk planyalayarak tekrarlayın. Planyalamadan sonra, kalınlığı ölçüp cetvel değeriyle karşılaştırın. İki değer eşit olmalıdır. Gerekliyse, kesme cetveli üzerindeki derinliği planyalanmış kalınlığa göre yeniden ayarlayın.

PLANYA BIÇAKLARININ ÇIKARILMASI

Bkz. şekil 10-12.

Biçakları çıkarmak için, aşağıdaki adımları izleyin:





Türkçe

⚠ UYARI

Bıçakları çıkarmadan önce ürünü prizden çıkarın.

- Üzerindeki dört altıgen havşa başlı kapak vidasını sökerek toz oluşunu çıkarın.
- Baskı vidalarını saat yönünde döndürerek kilit çubuğunu ve bıçağı gevşetin. Bıçaklar yaylı olup, düzeneğe gevşetildiğinde dışarıya itilir.
- Önce bıçağı, ardından da bıçak kilit çubuğunu çıkarın.

PLANYA BIÇAKLARININ TAKILMASI / DEĞİŞTİRİLMESİ

Şekle bakınız 12.

Bıçakları takmak için, aşağıdaki adımları izleyin:

- Bıçakları "PLANYA BIÇAKLARININ ÇIKARILMASI" bölümündeki talimatlara uyarak çıkarın.
- Planya kesici kafasındaki kalıntıları temizleyin.
- Bıçak kilit çubuğunu kesici kafa üzerindeki yuvaya oturtun.
- Bıçağı kesici kafa üzerindeki yuvaya yerleştirin ve baskı vidalarını saat yönünün tersine çevirerek kilit çubuğu düzeneğini sıkıştırın. Bıçağın doğru yöne baktığından ve yuvanın merkezinde bulunduğundan emin olun.
- Bıçak yüksekliklerini "BIÇAK YÜKSEKLİĞİNİN AYARLANMASI" bölümündeki talimatlara uyarak ayarlayın. Bıçakların herhangi bir nedenle çıkarıldığı her sefer bıçak yüksekliğinin ayarlanması gerekir.
- Bıçaklar takıldıktan sonra toz oluşunu yerleştirmeyi unutmayın.

BIÇAK YÜKSEKLİĞİNİN AYARLANMASI

Bkz. şekil 13-14.

- 1,1 mm.lik bir bıçak çıkıntısı elde etmek için, kesme kafası üzerindeki bıçak ayar ölçüsünün iki kılavuzu bıçağa sağlamca dayanacak şekilde yerleştirin.
- Yedi baskı vidasını açık uçlu bir anahtarla saat yönünde çevirerek düzeneği gevşetin.
- Bıçak kılavuzlar tarafından ölçü üzerinde istenen yüksekliğe bastırıldığı zaman, baskı vidalarını saat yönünün tersine çevirerek düzeneği yeniden sıkıştırın. Yedi baskı vidasının da sıkıştırıldığından emin olun.

⚠ UYARI

Bıçak kenarı kolayca çentilebilir. Bıçaklara zarar vermek için ölçüyü bıçak yakınında kullanırken dikkatli olun.

⚠ UYARI

Planya işlemleri sırasında kaza olmaması için düzeneğin güvenli biçimde sıkıştırılması gerekir.

TOZ TOPLAMA SİSTEMİNİN BAĞLANMASI

Şekle bakınız 19.

Bu aletin kullanımı sırasında meydana çıkan toz sağlığa zararlı olabilir. Biriken tozu tamamiyle temizlemek için bir toz emme sistemi kullanın (örn. elektrik süpürgesi).

Bir toz toplama sistemi bağlamak için:

- Aletin fişini prizden çekin.
- Toz toplama sistemi ucunu toz girişine bağlayın.

Toz birikmesini önlemek için toz toplama sisteminin hortumunu sıkça temizleyin.

AYAR

KESME KAFASI VE TEZGAHIN PARALEL KONUMA GETİRİLMESİ

Bkz. şekil 15-18.

Bir iş parçasını planyalayın ve işlemten sonra kalınlığını ölçün. İş parçasının iki yanındaki kalınlıklar farklıysa, aşağıdaki adımları izleyin:

Kesici shaftıyla tezgahı paralel olacak gibi ayarlayın. Kontrol için kullanılan aletler Şekil 15'te gösterilmektedir. Şekilde gösterildiği gibi bir ölçü bloku yapmak için sert ağaç kullanın. Ayarları aşağıdaki yöntemlere göre yapın.

- Alyn vidaları çıkararak yükseklik ayar krank kolunu ve hem üst, hem de yan kapakları sökün, yükseklik ayarı kilit somunlarını ortaya çıkarın.
- Ayar kilit somunlarını gevşetin.
- Ölçü blokunu sıdırmak için yükseklik ayar kilit somunlarını gerektiği gibi yukarı ya da aşağı hareket ettirin.
- İstenen yüksekliğe ulaşıldığında, kilit somunları yerlerine tespit edin.
- Yan ve üst kapakları takın ve yüksekli ayarı krank kolunu yerine yerleştirin.

NOT: Makineyi çalıştırmadan önce ölçü blokunu uzaklaştırın.

Kalınlık planyalaması malzemeyi istenen kalınlığa getirirken tablanın aksi yüzünde pürüzsüz bir yüzey oluşturmak, demektir.

Kalınlık planyalamasının püf noktası çeşitli durumlarda kesik derinliği hakkında doğru karar vermektir. Göz önünde bulundurulacaktır:

1. Tomruğun genişliği



Türkçe

2. Tomruğun sertliği
3. Tomruğun rutubeti
4. Tezgahın düzlüğü
5. Damar yönü
6. Damar yapısı

Bu etmenlerin işin kalitesi üzerinde nasıl bir etki yaptığı ancak deneyimle öğrenilebilir. Yeni bir ağaç türüyle ya da alışılmadık sorunlar çıkaran bir tomrukla çalışırken, gerçek parça üzerinde çalışmadan önce, mutlaka hurda parçalar üzerinde denemeler yapın.

İLAVE PLANYALAMA İÇİN

İstenen kalınlığı elde etmek için ilave planyalama gerektiği durumlarda, kesici kafayı elle en fazla 3 mm hareket ettirin ve bir geçiş daha gerçekleştirin.

⚠ UYARI

Bir geçişte asla 3 mm.den fazlasını planyalamayın ve asla boyu 127 mm.den (5") kısa parçaları planyalamayın. Her zaman koruyucu bir maske kullanın.

BAKIM

⚠ UYARI

Ayar ve yağlama çalışmalarından önce veya ürün üzerinde herhangi bir bakım çalışması yaparken her zaman elektrik fişinin şebeke güç kaynağından ayrıldığından emin olun.

BIÇAĞIN YENİDEN BİLENMESİ

Biçanın yeniden bilenmesi gerekiyorsa, sadece kamalı yüzeyin bilenmesi mümkündür.

YAĞLAMA

- Orta ve düşük operasyonda kullanılan silindir zincirleri için sadece zincirin silinip temizlenmesi önerilir. Aşırı toz veya boya vs. birikimi oluşması halinde zinciri ince bir yağ filmiyle kaplayın, ancak yağı asla doğrudan zincirin üzerine dökmeyin. Aşırı yağlama toz ve yonga birikimini hızlandırıp bunları zincir baklalarının içine sıkıştırarak aşınmayı güçlendirir ve zamanından önce değiştirme gerektirir. Bu durum hız redüksiyon ve yükseklik ayar zincirleri için olduğu kadar yükseltme vidaları için de geçerlidir.
- Kesici kafa yatakları fabrikada yağlanıp kapatılır. Herhangi bir işlem gerektirmez.

PERİYODİK BAKIM

- Talaş ve diğer atıkların birikmesi makinenizin doğru planyalamasına neden olabilir. Periyodik temizlik kesin planlama için zorunlu olup, önemle tavsiye edilir.
- Kilitleme çubukları ve planya kesme kafası gibi yakın parçaların bir fırçayla temizlenmesi, yapışan yabancı maddelerin uzaklaştırılması gerekir. Daha sonra bütün parçaları yağla hafifle nemlendirerek eski yerlerine yerleştirin.
- Besleme silindirleri ve tabla üzerindeki reçine ve diğer birikintileri tutuşmaz bir tinerle silin.

TAŞIMA VE SAKLAMA

Ürünü taşırken, güç kablosunu prizden çıkarın ve ürünü indirin. Ürünü şasinin her iki yanındaki tutamakları kullanarak taşıyın. Ürünü çocukların erişemeyeceği güvenli bir yerde saklayın.

Depolamadan önce ürünü bir fırça ve elektrikli süpürge kullanarak temizleyin.

ÇEVRENİN KORUNMASI



Ham maddeleri çöp olarak atmak yerine geri dönüştürün. Çevreyi korumak için, alet, aksesuarlar ve ambalajlar tasnif edilmelidir.

SEMBOL



Güvenlik ikazı



CE uygunluğu



Ürünü çalıştırmadan önce, lütfen aşağıdaki talimatları dikkatlice okuyun.



Sınıf II, çift yalıtımlı



Koruyucu kulaklık kullanın



Her zaman koruyucu gözlük kullanın.

Türkçe



Bıçağın dönüş yönü



Geçiş başına azami planyalama derinliği



Asgari planyalama uzunluğu



Azami planyalama genişliği



Planyalama yüksekliği



Besleme hızı



Bıçak uzunluğu



Bıçağı alçaltın



Bıçağı yükseltin



Atık elektrikli ürünler evsel atıklarla birlikte atılmamalıdır. Tesis bulunuyorsa lütfen geri dönüşüme verin. Geri dönüşümle ilgili tavsiye için Yerel Makamlarla veya bayi ile irtibat kurun.

**Türkçe****SORUN GİDERME**

Sorun	Olası nedeni	Çözümü
Damar belirsiz.	1. Yüksek nem içeren tahta planyalamak. 2. Bıçaklar körelmiş.	1. Tahtayı kurutun. 2. Bıçakları bileyin.
Damar yırtık.	1. Kesik çok ağır. 2. Bıçaklar damara aykırı kesiyor. 3. Bıçaklar körelmiş.	1. Kesik için uygun derinliği gözden geçirin. 2. İş parçasını damara göre besleyin ya da çevirin. 3. Bıçakları bileyin.
Damar kaba / kalkık.	1. Bıçaklar körelmiş. 2. Kesik çok ağır. 3. Nem oranı çok yüksek. 4. Kesme kafası yatakları hasarlı.	1. Bıçakları bileyin. 2. Kesik için uygun derinliği gözden geçirin. 3. Tahtayı kurutun. 4. Yatakları değiştirin.
Bir yandan diğerine farklı kesik derinliği.	1. Bıçak çıkıntısı eşit değil. 2. Kesme kafası planya yatağıyla hizalanmamış.	1. Bıçak çıkıntısını ayarlayın. 2. Kesme kafasını tablayla hizalayın.
Parça kalınlığı kesme cetveli derinliğiyle uyuşmuyor.	1. Kesme cetveli derinliği yanlış.	1. Kesme cetveli derinliğini ayarlayın.
Zincir sıcıyor.	1. Zincir dişlileri hizalanmamış. 2. Zincir dişlileri aşınmış.	1. Zincir dişlilerini hizalayın. 2. Zincir dişlisini değiştirin.
Alet çalışmıyor / yeniden çalışmıyor.	1. Alet prize takılı değil. 2. Motor arızası. 3. Kablo gevşek. 4. Aşırı yük sıfırlama başarısız. 5. Marş motoru arızası.	1. Güç kaynağını kontrol edin. 2. Motoru kontrol edin. 3. Motoru bir yetkili servis elemanına kontrol ettirin. 4. Makinenin soğumasını bekleyip yeniden çalıştırın. 5. Marş motorunu bir yetkili servis elemanına kontrol ettirin.
Motorun durmasıyla sonuçlanan tekrarlı şalter atması.	1. Uzatma kablosu fazla uzun ya da fazla ince. 2. Bıçaklar fazla körelmiş. 3. Voltaj düşük.	1. Daha kısa ya da daha kalın uzatma kablosu kullanın. 2. Bıçakları bileyin ya da değiştirin. 3. Voltajı kontrol edin.
Yetersiz tomruk beslemesi.	1. Planya tablası kirli. 2. Besleme silindiri hasarlı. 3. Zincir dişlisi hasar görmüş. 4. Dişli kutusu arızaları.	1. Reçine ve kalıntıları temizleyin ve planya tablasını yağlayın. 2. Besleme silindiri değiştirin. 3. Zincir dişlisini değiştirin. 4. Dişli kutusunu kontrol edin.
İş parçası sıkıştı.	1. Uygunsuz bıçak ayar yüksekliği.	1. Bıçağı doğru yüksekliğe ayarlayın.





Ελληνικά

ΠΕΡΙΓΡΑΦΗ

1. Επάνω προφυλακτήρας
2. Μανιβέλα ρύθμισης ύψους κόφτη
3. Κλίμακα βάθους κοπής
4. Διακόπτης λειτουργίας
5. Διακόπτης υπερφόρτισης
6. Προέκταση τραπεζιού
7. Βίδες κλειδώματος βάσης
8. Πόδια
9. Βίδα κλειδώματος διακόπτη ανύψωσης
10. Ραβδί ώθησης
11. Έλασμα ρύθμισης λεπίδας
12. Εξαγωνικό κλειδί
13. Γαλλικό κλειδί
14. Πλαστικός δείκτης
15. Ακροφύσιο απορρόφησης σκόνης
16. Βίδες εξαγωνικής κεφαλής
17. Βίδες εξώκλισης
18. Έλασμα ρύθμισης λεπίδας
19. Μπάρα ασφαλείας
20. Βίδες κλειδώματος βάσης
21. Λάμας
22. Ελατήριο
23. Βίδες Άλεν
24. Παξιμαδάκι ρύθμισης ύψους

Κατά το σχεδιασμό της πλάνης ξεχονδρίσματος δόθηκε ιδιαίτερη προτεραιότητα στην ασφάλεια, την απόδοση και την αξιοπιστία της.

ΠΡΟΟΡΙΖΟΜΕΝΗ ΧΡΗΣΗ

Η πλάνη έχει σχεδιαστεί για πλάνισμα ξύλου.

Μην χρησιμοποιείτε το προϊόν με τρόπο διαφορετικό από αυτόν που αναφέρεται για τη χρήση του.

ΓΕΝΙΚΕΣ ΠΡΟΕΙΔΟΠΟΙΗΣΕΙΣ ΑΣΦΑΛΕΙΑΣ

▲ ΠΡΟΕΙΔΟΠΟΙΗΣΗ

Όταν χρησιμοποιείτε ηλεκτρικά εργαλεία, θα πρέπει να τηρούνται πάντα βασικές προφυλάξεις για μείωση του κινδύνου φωτιάς, ηλεκτροπληξίας και τραυματισμού. Διαβάστε όλες τις οδηγίες πριν χρησιμοποιήσετε το προϊόν και φυλάξτε τις.

- **Διατηρείτε καθαρό τον χώρο εργασίας.** Οι ακατάστατοι χώροι και πάγκοι εργασίας προκαλούν ατυχήματα.
- **Εξετάστε τον χώρο εργασίας.** Μην εκθέτετε τα εργαλεία σε βροχή. Μην χρησιμοποιείτε τα εργαλεία σε βρεγμένο χώρο ή σε συνθήκες υγρασίας. Να δουλεύετε σε καλά φωτισμένη περιοχή. Μην

χρησιμοποιείτε τα εργαλεία όταν υπάρχουν εύφλεκτα υγρά ή αέρια.

- **Προστατευτικό από ηλεκτροπληξία.** Αποφύγετε την επαφή με γειωμένες επιφάνειες (π.χ. σωλήνες, καλοριφέρ, εστίες, ψυγεία).
- **Διατηρείτε μακριά τους παριστάμενους.** Μην αφήνετε άλλα άτομα και ιδιαίτερα παιδιά να εμπλέκονται στην εργασία, να αγγίζουν το εργαλείο ή την προέκταση και διατηρείτε τους παριστάμενους μακριά από τον χώρο εργασίας σας.
- **Φυλάσσετε τα εργαλεία που δεν χρησιμοποιείτε.** Όταν δεν χρησιμοποιούνται, τα εργαλεία πρέπει να φυλάσσονται σε στεγνό και κλειδωμένο χώρο, μακριά από παιδιά.
- **Μην πιέζετε υπερβολικά το εργαλείο.** Η δουλειά θα γίνει καλύτερα και ασφαλέστερα με τον ρυθμό για τον οποίο προορίζεται.
- **Χρησιμοποιείτε το σωστό εργαλείο.** Μην πιέζετε μικρά εργαλεία να κάνουν τη δουλειά εργαλείων βαριάς χρήσης. Μην χρησιμοποιείτε εργαλεία για μη επιθυμητούς σκοπούς, π.χ. μην χρησιμοποιείτε κυκλικούς κόπτες για να κόψετε κλαδιά δέντρων ή κούτσουρα.
- **Ντυθείτε κατάλληλα.** Μην φοράτε χαλαρά ρούχα ή κοσμήματα γιατί μπορεί να παστούν στα κινούμενα εξαρτήματα. Προτείνονται αντιολισθητικά υποδήματα όταν εργάζεστε σε εξωτερικούς χώρους. Καλύπτετε τα μαλλιά σας αν είναι μακριά.
- **Χρησιμοποιείτε προστατευτικό εξοπλισμό.** Χρησιμοποιείτε γυαλιά ασφαλείας. Χρησιμοποιείτε μάσκα προσώπου ή κατά της σκόνης όταν οι εργασίες παράγουν σκόνη / πριονίδια.
- **Συνδέστε τον εξοπλισμό απομάκρυνσης σκόνης / πριονιδιού.** Αν το εργαλείο διαθέτει σύνδεση απομάκρυνσης σκόνης / πριονιδιού και εξοπλισμό συλλογής, βεβαιωθείτε ότι έχουν συνδεθεί και χρησιμοποιούνται σωστά.
- **Προσέχετε στη χρήση του καλωδίου.** Μην τραβάτε ποτέ το καλώδιο για να αποσυνδέσετε από την πρίζα. Διατηρείτε το καλώδιο μακριά από θερμότητα, λάδι και αιχμηρές γωνίες.
- **Ασφαλής εργασία.** Όπου είναι δυνατό, χρησιμοποιήστε σφικτήρες ή μέγγενη για να συγκρατήσετε το τεμάχιο εργασίας. Είναι ασφαλέστερο από το να χρησιμοποιείτε το χέρι σας.
- **Μην τεντώνετε.** Διατηρείτε σταθερό πάτημα και ισορροπία συνεχώς.
- **Συντηρείτε προσεκτικά τα εργαλεία.** Διατηρείτε τα εργαλεία κοπής αιχμηρά και καθαρά για καλύτερη και ασφαλέστερη απόδοση. Ακολουθήστε τις οδηγίες για τη λίπανση και αλλαγή εξαρτημάτων. Ελέγχετε τακτικά τα καλώδια του εργαλείου και αν έχουν φθαρεί,





Ελληνικά

επισκευάστε τα πηγαίνοντάς τα σε εξουσιοδοτημένη εγκατάσταση σέρβις. Ελέγχετε τακτικά τα καλώδια προέκτασης και προχωρήστε σε αντικαταστάσεις εάν έχουν φθαρεί. Διατηρείτε τις λαβές στεγνές, καθαρές και χωρίς λάδι και γράσο.

- **Αποσυνδέστε τα εργαλεία.** Όταν δεν χρησιμοποιούνται, πριν το σέρβις και κατά την αλλαγή εξαρτημάτων όπως λεπίδες, μικρά εξαρτήματα και κόπτες, αποσυνδέετε τα εργαλεία από το ρεύμα.
- **Αφαιρέστε κλειδιά προσαρμογής και άλλα κλειδιά.** Ελέγχετε πάντα ότι τα κλειδιά και τα κλειδιά προσαρμογής έχουν αφαιρεθεί από το εργαλείο πριν το ενεργοποιήσετε.
- **Αποφύγετε τις τυχαίες εκκινήσεις.** Βεβαιωθείτε ότι ο διακόπτης βρίσκεται στη θέση "off" όταν συνδέετε το εργαλείο.
- **Χρησιμοποιείτε προεκτάσεις καλωδίων για εξωτερικούς χώρους.** Όταν το εργαλείο χρησιμοποιείται σε εξωτερικό χώρο, χρησιμοποιείτε μόνο καλώδια προέκτασης κατάλληλα για εξωτερική χρήση και με την αντίστοιχη σήμανση.
- **Παραμείνετε σε εγρήγορση.** Προσέχετε τι κάνετε, χρησιμοποιείτε κοινή λογική και μην χρησιμοποιείτε το εργαλείο αν είστε κουρασμένοι.
- **Ελέγξτε για φθαμένα εξαρτήματα.** Πριν χρησιμοποιήσετε άλλο το εργαλείο, θα πρέπει να ελεγχθεί προσεκτικά για να βεβαιωθεί ότι λειτουργεί σωστά και εκτελεί την επιθυμητή λειτουργία. Ελέγξτε την ευθυγράμμιση των κινούμενων εξαρτημάτων, τυχόν πιάσιμο αυτών, σπασίματα, στερέωση και άλλες καταστάσεις που μπορεί να επηρεάζουν τη λειτουργία του εργαλείου. Προστατευτικά ή άλλα εξαρτήματα που έχουν φθαρεί θα πρέπει να συντηρούνται κατάλληλα ή να αντικαθίστανται από εξουσιοδοτημένο κέντρο σέρβις, εκτός αν αναφέρεται άλλως στο παρόν εγχειρίδιο χρήσης. Επισκευάζετε τους ελαττωματικούς διακόπτες σε εξουσιοδοτημένο κέντρο σέρβις. Μην χρησιμοποιείτε το εργαλείο αν δεν ενεργοποιείται και απενεργοποιείται.
- **Προειδοποίηση.** Η χρήση οποιουδήποτε εξαρτήματος ή προσαρτήματος εκτός του προτεινόμενου σε αυτές τις οδηγίες, μπορεί να αποτελεί κίνδυνο τραυματισμού.
- **Επισκευάζετε το εργαλείο πηγαίνοντάς το σε ειδικευμένους τεχνικούς.** Το παρόν ηλεκτρικό εργαλείο συμμορφώνεται με τους σχετικούς κανόνες ασφάλειας. Οι επισκευές θα πρέπει να διενεργούνται μόνο από ειδικευμένα άτομα με χρήση αυθεντικών ανταλλακτικών, διαφορετικά μπορεί να προκύψει σημαντικός κίνδυνος για τον χρήστη.

ΠΡΟΕΙΔΟΠΟΙΗΣΕΙΣ ΑΣΦΑΛΕΙΑΣ ΓΙΑ ΤΗΝ ΠΛΑΗΗ

- Φοράτε πάντοτε γυαλιά ασφαλείας και ωτοπροστασία, κατά τη χρήση του ηλεκτρικού εργαλείου.
- Να φοράτε γάντια κατά τον χειρισμό της λάμας του κόπτη και τυχόν σκληρών υλικών προς αποφυγή τραυματισμών από αιχμηρές άκρες
- Φορέστε προστατευτική προσωπίδα ή μάσκα κατά της σκόνης αν η εργασία δημιουργεί σκόνη.
- Βεβαιωθείτε ότι όλες οι βίδες συγκράτησης είναι βιδωμένες σφιχτά πριν θέσετε το μηχάνημα σε λειτουργία.
- Πριν κάνετε οποιαδήποτε ρύθμιση, διακόψτε τη λειτουργία του μηχανήματος και αποσυνδέστε το από το ρεύμα.
- Βεβαιωθείτε ότι όλοι οι προφυλακτήρες βρίσκονται στη θέση τους προτού θέσετε το μηχάνημα σε λειτουργία.
- Διαβάστε προσεκτικά το εγχειρίδιο χρήσης και εξοικειωθείτε με το μηχάνημα πριν το θέσετε σε λειτουργία.
- Μην υπερφορτώνετε το μηχάνημα. Επιτρέψτε το μηχάνημα να λειτουργήσει με τον σωστό ρυθμό τροφοδοσίας.
- Ελέγχετε τακτικά τους κυλίνδρους τροφοδοσίας και βεβαιωθείτε ότι δεν υπάρχουν πριονίδια και ροκανίδια ανάμεσα στα εξαρτήματα. Εάν οι κύλινδροι δεν είναι καλά στερεωμένοι, οι κύλινδροι τροφοδοσίας δεν θα κρατούν σωστά την ξυλεία στον πάγκο, επιτρέποντας έτσι την επιστροφή (κλότσημα).
- Βεβαιωθείτε ότι οι κυλιόμενες επιφάνειες βρίσκονται στο ίδιο επίπεδο με τον πάγκο εργασίας κατά το πλάνισμα ξύλου και ότι οι κύλινδροι μπορούν να περιστρέφονται ελεύθερα κατά το πλάνισμα μεγάλων τεμαχίων.
- Το μηχάνημα πρέπει να χρησιμοποιείται μόνο σε στεγνά πάνελ ξύλου.
- Χρησιμοποιείτε συμπαγή ξυλεία χωρίς χαλαρούς ρόζους κι όσο το δυνατόν λιγότερους συμφύεις ρόζους.
- Ποτέ μη στέκεστε στην απέναντι στις θέσεις εισόδου και εξόδου. Στέκεστε πάντα στο πλάι του μηχανήματος.
- Βεβαιωθείτε ότι οι κατεργαζόμενο τεμάχιο δεν περιέχει καρφιά, βίδες, πέτρες και άλλα ξένα αντικείμενα τα οποία θα μπορούσαν να προκαλέσουν βλάβη στις λεπίδες.
- Βεβαιωθείτε ότι οι λεπίδες είναι τοποθετημένες σωστά και σύμφωνα με τις οδηγίες.
- Χειριστείτε με ιδιαίτερη προσοχή τις λεπίδες και τη διάταξη της κεφαλής κοπής. Οι λεπίδες είναι αιχμηρές και μπορείτε εύκολα να κοπείτε.
- Αφήστε την κεφαλή κοπής να φτάσει στην πλήρη της





Ελληνικά

ταχύτητα πριν ξεκινήσετε να εργάζεστε.

- Χρησιμοποιήστε το ραβδί ώθησης αντί για τα χέρια σας για να στρώσετε το κατεργαζόμενο τεμάχιο όταν το άκρο του φτάνει στις λεπίδες. Το ραβδί ώθησης πρέπει να αποθηκεύεται στο τραπέζι εργασίας όταν δεν χρησιμοποιείται.
- Χρησιμοποιείτε ακονισμένες και καλά συντηρημένες λεπίδες.
- Χρησιμοποιείτε μόνο τις λεπίδες που έχουν σχεδιαστεί για το παρόν μηχάνημα.
- Βεβαιωθείτε ότι η πλάνη έχει στερεωθεί ασφαλώς πριν τη χρήση. Δώστε ιδιαίτερη προσοχή στη σταθερότητα όταν πλανίζετε μακριά τεμάχια εργασίας.
- Κρατάτε τα χέρια σας μακριά από τη λεπίδα όταν αυτή κινείται.
- Μην κάνετε τομές βαθύτερες από 3 mm (1/8").
- Φοράτε προστατευτικά ματιών που πληρούν τα τοπικά πρότυπα ασφαλείας.
- Μην αφαιρείτε μαγκωμένα κομμάτια αν δεν σταματήσει η λεπίδα και δεν έχει απενεργοποιηθεί το εργαλείο.

⚠ ΠΡΟΕΙΔΟΠΟΙΗΣΗ

Ποτέ μην πραγματοποιείτε τις παρακάτω ενέργειες:

- Διακοπτόμενη εργασία (π.χ., οποιαδήποτε εργασία κοπής που δεν εκτελείται σε όλο το μήκος του κατεργαζόμενου τεμαχίου)
- Πλάνισμα εσοχών, μόρσων ή καλουπιών
- Πλάνισμα ξύλου που έχει καμφθεί σε βαθμό ώστε να μην έχει επαφή με το τραπέζι εισόδου

ΚΑΣΤΑΝΙΕΣ ΑΝΑΔΡΑΣΗΣ

Βλ. Σχήμα 2.

- Η καστανία ανάδρασης είναι μια διάταξη, η οποία όταν εγκατασταθεί και συντηρηθεί σωστά, προλαμβάνει την ανάδραση (κλότσημα) του κατεργαζόμενου τεμαχίου προς το εμπρός μέρος της λεπίδας, κατά τη διάρκεια της εργασίας.

ΑΠΟΦΥΓΗ ΑΝΑΔΡΑΣΗΣ

- Χρησιμοποιείτε πάντοτε τη σωστή ρύθμιση βάθους κοπής.
Ελέγξτε το κατεργαζόμενο τεμάχιο για ρόζους ή καρφιά πριν ξεκινήσετε την κοπή. Αφαιρέστε με σφυρί τυχόν χαλαρούς ρόζους. Ποτέ μην κόβετε σε σημείο όπου υπάρχει χαλαρός ρόζος ή καρφί.
- Χρησιμοποιείτε πάντοτε καθαρές, τροχισμένες και σωστά ρυθμισμένες λεπίδες.
- Μην χρησιμοποιείτε το μηχάνημα με ατρόχιστες

λεπίδες.

- Προς αποφυγή συμπίεσης της λεπίδας, κρατήστε σωστά το τεμάχιο εργασίας πριν από την έναρξη της εργασίας.
- Κατά το πλάνισμα, κρατήστε σταθερά και με πίεση το τεμάχιο εργασίας. Μην ασκείτε δύναμη στο μηχάνημα.
- Μην πλανίζετε υγρό ή παραμορφωμένο ξύλο.
- Κρατάτε πάντοτε γέρα και με τα δύο χέρια το τεμάχιο εργασίας, κρατήστε το σώμα σας σε σταθερή θέση ώστε να μπορείτε να αντισταθείτε σε τυχόν ανάδραση. Ποτέ μην στέκεστε στην ίδια ευθεία με την ξυλεία.

ΆΛΛΟΙ ΚΙΝΔΥΝΟΙ

Ακόμη και όταν το προϊόν χρησιμοποιείται σύμφωνα με τις οδηγίες, δεν είναι δυνατή η απόλυτη απαλειφή συγκεκριμένων παραγόντων κινδύνου. Ο χειριστής πρέπει να δίνει ιδιαίτερη προσοχή σε αυτά τα σημεία, προκειμένου να αποφύγει τον κίνδυνο σοβαρού τραυματισμού.

- Βλάβες στην ακοή – Φοράτε κατάλληλα προστατευτικά αυτιών και περιορίστε την έκθεση.
- Βλάβες στην όραση – Φοράτε προστατευτικές ασπίδες ματιών ή ειδικά γυαλιά όταν χρησιμοποιείτε το προϊόν.
- Κίνδυνος αναπνευστικής βλάβης από πριονίδια που δημιουργούνται κατά τον χειρισμό του προϊόντος – Φοράτε κατάλληλα προστατευτικά ανάλογα με τον τύπο πριονιδιού.

ΗΛΕΚΤΡΟΛΟΓΙΚΗ ΣΥΝΔΕΣΗ

Το προϊόν τροφοδοτείται από ηλεκτρικό κινητήρα ακριβείας. Θα πρέπει να συνδέεται σε παροχή ρεύματος 220~240 V, μόνο AC (κανονικό οικιακό ρεύμα), 50 Hz. Μην χρησιμοποιείτε το προϊόν με συνεχές ρεύμα (DC). Μια σημαντική πτώση τάσης θα προκαλέσει απώλεια ισχύος και υπερθέρμανση του κινητήρα. Αν το προϊόν δεν λειτουργεί ενώ το έχετε συνδέσει στην πρίζα, ελέγξτε ξανά την παροχή ρεύματος.

ΤΑΧΥΤΗΤΑ ΚΑΙ ΚΑΛΩΔΙΩΣΗ

Η ταχύτητα του εργαλείου χωρίς φορτίο είναι κατά προσέγγιση 9000 rpm. Αυτή η ταχύτητα δεν είναι σταθερή και μειώνεται με την ύπαρξη φορτίου ή με χαμηλότερη τάση. Για τάση, η καλωδίωση στο κατάστημα είναι εξίσου σημαντική με τη βαθμονόμηση ισχύος ίππων του κινητήρα. Γραμμή που διατίθεται μόνο για φωτισμό δεν μπορεί να λειτουργήσει σωστά με κινητήρα μηχανοκίνητου εργαλείου. Σύρμα που είναι αρκετά βαρύ για μικρή απόσταση, είναι υπερβολικά ελαφρύ για μεγαλύτερες αποστάσεις. Μια γραμμή που μπορεί να υποστηρίξει ένα μηχανοκίνητο εργαλείο, μπορεί να μην είναι σε θέση να υποστηρίξει δύο ή τρία.



Ελληνικά

Αν το καλώδιο παροχής ρεύματος φθαρεί, πρέπει να αντικατασταθεί μόνο από τον παρασκευαστή ή εξουσιοδοτημένο κέντρο σέρβις για αποφυγή κινδύνων.

Συνδέετε το προϊόν μόνο σε πρίζα που έχει την ίδια ρύθμιση με το βύσμα. Μην χρησιμοποιείτε αντάππορα με το προϊόν.

Για μεγαλύτερη ασφάλεια και αξιοπιστία, όλες οι επιδιορθώσεις πρέπει να πραγματοποιούνται από εγκεκριμένο Κέντρο Τεχνικής Εξυπηρέτησης RYOBI.

Τα κυκλώματα ή οι παροχές που χρησιμοποιούνται για τη λειτουργία του μηχανήματος θα πρέπει να διαθέτουν διάταξη προστασίας ρεύματος διαρροής. Υπάρχουν διαθέσιμες πρίζες με ενσωματωμένη προστασία RCD που μπορούν να χρησιμοποιηθούν για αυτό το μέτρο ασφάλειας.

Εάν το μηχανήμα τροφοδοτείται με καλώδιο προέκτασης, βεβαιωθείτε ότι η σύνδεση του καλωδίου του μηχανήματος και του καλωδίου προέκτασης δεν ακουμπάει στο έδαφος. Οι βοηθητικές συσκευές πρέπει να συνδέονται πάντα στην πρίζα του τοίχου και όχι στη σύνδεση καλωδίου προέκτασης ή στο καλώδιο ισχύος των μηχανοκίνητων εργαλείων.

Εάν δεν υπάρχει προστατευμένη παροχή ρεύματος, μην χρησιμοποιείτε το μηχανήμα μέχρι να βρεθεί άλλη παροχή ή να προστεθεί βοηθητική προστασία. Αυτές οι βοηθητικές συσκευές προστασίας είναι διαθέσιμες στον τοπικό πωλητή σας.

ΛΙΣΤΑ ΜΗ ΣΤΑΘΕΡΩΝ ΤΜΗΜΑΤΩΝ

Αντικείμενο	Περιγραφή	Ποσότητα
2	Μανιβέλα ρύθμισης ύψους κόφτη	1
7	Βίδες κλειδώματος βάσης	4
8	Πόδια	4
9	Βίδα κλειδώματος διακόπτη ανύψωσης	1
10	Ραβδί ώθησης	1
11	Έλασμα ρύθμισης λεπίδας	1
12	Εξαγωνικό κλειδί	2
13	Γαλλικό κλειδί	1

ΣΥΝΑΡΜΟΛΟΓΗΣΗ

ΜΕΤΑΚΙΝΗΣΗ ΤΗΣ ΠΛΑΝΗΣ

Βλ. Σχήμα 3.

- Το μηχανήμα μπορεί να μεταφερθεί με τις λαβές που υπάρχουν στις δύο πλευρές του περιβλήματος.

Βεβαιωθείτε ότι και οι δυο προεκτάσεις του τραπέζιού είναι κλειστές κατά τη μεταφορά.

ΕΓΚΑΤΑΣΤΑΣΗ ΤΩΝ ΠΟΔΙΩΝ

- Τοποθετήστε τα πόδια στις γωνίες του κάτω μέρους του μηχανήματος.

ΣΤΕΡΕΩΣΗ ΤΗΣ ΠΛΑΝΗΣ ΣΕ ΞΥΛΙΝΗ ΒΑΣΗ

Βλ. Σχήματα 5-6.

- Όταν η πλάνη δεν είναι στερεωμένη σε ειδική βάση, προτείνεται να στερεώνεται σε δύο κομμάτια ξύλου. Έτσι εξασφαλίζεται μέγιστη σταθερότητα.
- Επιλέξτε δύο κομμάτια ξύλου σύμφωνα με τις διαστάσεις που αναφέρονται στο σχήμα. Στερεώστε το μηχανήμα επάνω στην ξύλινη επιφάνεια.
- Χρησιμοποιήστε τις τέσσερις βίδες κλειδώματος βάσης (περιέχονται στη συσκευασία) για να στερεώσετε τη βάση της πλάνης πάνω στο ξύλο.

ΘΕΣΗ ΑΠΟΘΕΜΑΤΟΣ

Βλ. Σχήμα 7.

- Η θέση αποθέματος στο επάνω μέρος της πλάνης προσφέρει άνετη διαχείριση του αποθέματος για διαδοχικές κοπές. Το απόθεμα που βρίσκεται στο επάνω μέρος του μηχανήματος μπορεί εύκολα να τραβηχτεί από τον χειριστή για να κοπεί.

ΛΕΙΤΟΥΡΓΙΑ

ΔΙΑΚΟΠΤΗΣ ΕΝΕΡΓΟΠΟΙΗΣΗΣ/ΑΠΕΝΕΡΓΟΠΟΙΗΣΗΣ (ON/OFF)

Βλ. Σχήμα 8.

- Για να θέσετε το μηχανήμα σε λειτουργία, πιέστε το κουμπί I. Για να διακόψετε την λειτουργία, πιέστε το κουμπί O.

⚠ ΠΡΟΕΙΔΟΠΟΙΗΣΗ

Βεβαιωθείτε ότι διακόπτης βρίσκεται στη θέση OFF πριν συνδέσετε το μηχανήμα στο ρεύμα.

ΔΙΑΚΟΠΤΗΣ ΥΠΕΡΦΟΡΤΙΣΗΣ

Βλ. Σχήμα 8.

- Το μηχανήμα διαθέτει διακόπτη υπερφόρτισης για προστασία από υπερφόρτιση. Εάν συμβεί υπερφόρτιση, ο διακόπτης θα ανέβει προς τα πάνω. Σε αυτή την περίπτωση, περιμένετε λίγα λεπτά και μετά πιέστε το διακόπτη ώστε να επαναφέρετε το μηχανήμα

Ελληνικά

ΡΥΘΜΙΣΗ ΒΑΘΟΥΣ ΚΟΠΗΣ

Βλ. Σχήμα 9.

▲ ΠΡΟΕΙΔΟΠΟΙΗΣΗ

Ποτέ μην πλανίσετε πάνω από 3 χιλ. σε ένα πέρασμα και ποτέ μην επιχειρήσετε να πλανίσετε πάνω μήκους μικρότερου από 127 χιλιοστά. Φοράτε πάντοτε προστατευτική μάσκα.

- Για να ρυθμίσετε το βάθος κοπής, γυρίστε τη μανιβέλα ρύθμισης ύψους της κεφαλής κοπής κατά την κατεύθυνση που αναγράφεται στο επάνω μέρος της πλάνης. Η ρύθμιση του βάθους κοπής μπορεί να βρεθεί από την κλίμακα βάθους κοπής. Η διαβάθμιση της ρύθμισης είναι 1,6 χιλ. ανά περιστροφή της μανιβέλας.
- Ξεκινάτε πάντα να εργάζεστε με ένα ελαφρύ πλάνισμα. Το βάθος κοπής στα επόμενα περάσματα μπορεί να αυξηθεί μέχρι 3 χιλ. αλλά μη ξεχνάτε ότι ένα ελαφρύ πλάνισμα δημιουργεί καλύτερο φινίρισμα από το πιο βαθύ πλάνισμα.
- Το πάχος του ξύλου που περνά από την πλάνη ελέγχεται από την απόσταση της κεφαλής κοπής από το τραπέζι.
 - Μην πλανίζετε ξυλεία πάχους μικρότερου από 7 χιλ.
 - Μην πλανίζετε ξυλεία πάχους μεγαλύτερου από 153 χιλ.

ΡΥΘΜΙΣΤΕ ΤΗΝ ΚΛΙΜΑΚΑ ΒΑΘΟΥΣ ΚΟΠΗΣ.

Βλ. Σχήμα 9.

Για την ασφαλή λειτουργία της πλάνης, είναι εξαιρετικά σημαντικό να διαβάζεται σωστά η κλίμακα βάθους κοπής. Για να ρυθμίσετε την κλίμακα βάθους κοπής, ακολουθήστε τα παρακάτω βήματα:

- Τοποθετήστε ένα πάνελ για πλάνισμα. Συγκρίνετε το μετρούμενο πάχος του πάνελ με την ένδειξη στην κλίμακα βάθους κοπής.
- Εάν η ένδειξη της κλίμακας βάθους κοπής δεν είναι σωστή, χαλαρώστε τη βίδα που συγκρατεί τον πλαστικό δείκτη και ρυθμίστε τον κατάλληλα.
- Μόλις ολοκληρώσετε τη σωστή ρύθμιση της κλίμακας βάθους κοπής, δοκιμάστε την ένδειξη πλανίζοντας ένα άχρηστο κομμάτι ξύλο. Μετά το πλάνισμα, μετρήστε το πάχος του ξύλου που πλανίσατε και συγκρίνετέ το με την ένδειξη της κλίμακας. Οι δύο ενδείξεις θα πρέπει να είναι ίδιες. Εάν χρειάζεται, ξαναρυθμίστε την κλίμακα βάθους κοπής ώστε να δείχνει την ίδια ένδειξη με το πάχος της πλανισμένης επιφάνειας.

ΑΦΑΙΡΕΣΗ ΤΩΝ ΛΕΠΙΔΩΝ

Βλ. Σχήματα 10-12.

Για να αφαιρέσετε τις λεπίδες, ακολουθήστε τα παρακάτω βήματα:

▲ ΠΡΟΕΙΔΟΠΟΙΗΣΗ

Αποσυνδέστε το μηχάνημα από το ρεύμα πριν αφαιρέσετε τις λεπίδες.

- Αφαιρέστε το ακροφύσιο σκόνης αφαιρώντας τις τέσσερις βίδες εξαγωνικής κεφαλής.
- Χαλαρώστε τη μπάρα ασφαλείας και τη λεπίδα στρέφοντας τις βίδες εξώκλισης προς τα δεξιά. Οι λεπίδες συγκρατούνται με ελατήριο και θα πεταχτούν έξω μόλις χαλαρώσει η διάταξη.
- Βγάλετε τις λεπίδες και στη συνέχεια τη μπάρα ασφαλείας της λεπίδας.

ΤΟΠΟΘΕΤΗΣΗ/ΑΝΤΙΚΑΤΑΣΤΑΣΗ ΤΩΝ ΛΕΠΙΔΩΝ ΤΗΣ ΠΛΑΝΗΣ

Βλ. Σχήμα 12.

Για να τοποθετήσετε τις λεπίδες, ακολουθήστε τα παρακάτω βήματα:

- Αφαιρέστε τις λεπίδες σύμφωνα με τις οδηγίες "ΑΦΑΙΡΕΣΗ ΤΩΝ ΛΕΠΙΔΩΝ ΤΗΣ ΠΛΑΝΗΣ".
- Καθαρίστε την κεφαλή κοπής της πλάνης από τυχόν υπολείμματα.
- Τοποθετήστε τη μπάρα ασφαλείας της λεπίδας στην υποδοχή που υπάρχει στην κοπή κεφαλής.
- Τοποθετήστε τη λεπίδα στην υποδοχή της κοπής κεφαλής και στερεώστε τη διάταξη της μπάρας ασφαλείας βιδώνοντας τις βίδες εξώκλισης προς τα αριστερά. Βεβαιωθείτε ότι η λεπίδα βλέπει προς τη σωστή κατεύθυνση και ότι βρίσκεται στο κέντρο της υποδοχής.
- Ρυθμίστε το ύψος της λεπίδας σύμφωνα με τις οδηγίες "ΡΥΘΜΙΣΗ ΤΟΥ ΥΨΟΥΣ ΤΗΣ ΛΕΠΙΔΑΣ". Η ρύθμιση ύψους της λεπίδας πρέπει να διαγράφεται κάθε φορά που αφαιρούνται οι λεπίδες για οποιονδήποτε λόγο.
- Φροντίστε να αντικαταστήσετε το ακροφύσιο σκόνης μετά από την τοποθέτηση των λεπίδων.

ΡΥΘΜΙΣΗ ΤΟΥ ΥΨΟΥΣ ΤΗΣ ΛΕΠΙΔΑΣ

Βλ. Σχήματα 13-14.

- Για να έχετε προβολή λεπίδας 1,1 χιλ., τοποθετήστε το έλασμα ρύθμισης λεπίδας στην κεφαλή της λεπίδας με τους δύο οδηγούς να προσφύονται πάνω στη λεπίδα.
- Ξεσφίξτε τη διάταξη στρέφοντας τις επτά βίδες εξώκλισης προς τα δεξιά με γαλλικό κλειδί.



Ελληνικά

- Μόλις η λεπίδα πιεστεί στο επιθυμητό ύψος από τους οδηγούς του ελάσματος, ξαναβιδώστε τη διάταξη στρέφοντας τις βίδες εξώλκησης προς τα αριστερά. Βεβαιωθείτε ότι όλες οι βίδες εξώλκησης έχουν βιδωθεί σφιχτά.

⚠ ΠΡΟΕΙΔΟΠΟΙΗΣΗ

Η λεπίδα μπορεί πολύ εύκολα να συμπιεστεί. Χειριστείτε με προσοχή το έλασμα κοντά στις λεπίδες προς αποφυγή προς αποφυγή ζημιών.

⚠ ΠΡΟΕΙΔΟΠΟΙΗΣΗ

Η διάταξη πρέπει να βιδώνεται καλά προς αποφυγή ατυχημάτων κατά το πλάνισμα.

ΣΥΝΔΕΣΗ ΣΥΣΤΗΜΑΤΟΣ ΣΥΓΚΕΝΤΡΩΣΗΣ ΣΚΟΝΗΣ

Βλ. Σχήμα 19.

Η δημιουργούμενη κατά την εργασία σκόνη είναι συχνά επιβλαβής για την υγεία (π.χ. κατά την επεξεργασία ξύλου δρυός και οξιάς, πετρωμάτων, χρωμάτων που μπορεί να εμπεριέχουν μόλυβδο ή άλλες βλαβερές ουσίες) και δεν πρέπει να έρχεται σε επαφή με το σώμα. Χρησιμοποιήστε ένα σύστημα απορρόφησης σκόνης και αφαιρέστε εντελώς την εναποθετημένη σκόνη με κάποια συσκευή όπως μια ηλεκτρική σκούπα.

Σύνδεση συστήματος συγκέντρωσης σκόνης:

- Αποσυνδέστε από το ρεύμα το εργαλείο.
- Συνδέστε το ακροφύσιο του συστήματος συλλογής σκόνης στη θύρα σκόνης.

Καθαρίζετε τακτικά το σωλήνα του συστήματος συγκέντρωσης σκόνης για να αποφευχθεί η συγκέντρωση σκόνης.

ΡΥΘΜΙΣΗ

ΤΟΠΟΘΕΤΗΣΗ ΤΗΝ ΚΕΦΑΛΗ ΚΟΠΗΣ ΣΕ ΠΑΡΑΛΛΗΛΗ ΘΕΣΗ ΜΕ ΤΟ ΤΡΑΠΕΖΙ

Βλ. Σχήματα 15-18.

Πλανίστε ένα τεμάχιο εργασίας και μετρήστε το πάχος του μετά από την κοπή. Εάν το πάχος διαφέρει στις δύο πλευρές του τεμαχίου εργασίας, κάντε τα εξής:

Φέρτε σε παράλληλη θέση τον άξονα κοπής και το τραπέζι εργασίας. Τα εργαλεία που χρησιμοποιούνται για τον έλεγχο φαίνονται στο σχήμα 15. Χρησιμοποιήστε ξυλεία φυλλοβόλων για να κατασκευάσετε ένα πλακίδιο ελέγχου εργαλείου στο μέγεθος που υποδεικνύεται στο σχήμα. Κάντε τις ρυθμίσεις ακολουθώντας τις παρακάτω διαδικασίες.

- Αφαιρέστε τημανιβέλα ρύθμισης ύψους και τους

επάνω και πλευρικούς προφυλακτήρες αφαιρώντας τις βίδες Allen έτσι ώστε να εμφανιστούν τα παξιμάδια κλειδώματος της ρύθμισης ύψους.

- Ξεβιδώστε τα παξιμάδια κλειδώματος ρύθμισης.
- Ρυθμίστε τα παξιμάδια κλειδώματος ρύθμισης ύψους προς τα πάνω ή προς τα κάτω έτσι η ρύθμιση να ταιριάζει στο πλακίδιο ελέγχου.
- Όταν επιτευχθεί η επιθυμητή ρύθμιση ύψους, σφίξτε τα παξιμάδια κλειδώματος στη θέση τους.
- Ξανατοποθετήστε τους επάνω και πλευρικούς προφυλακτήρες και τημανιβέλα ρύθμισης ύψους.

ΣΗΜΕΙΩΣΗ Αφαιρέστε το πλακίδιο ελέγχου πριν θέσετε το μηχάνημα σε λειτουργία.

Το ξεχόνδρισμα είναι η προσαρμογή του υλικού στο επιθυμητό πάχος και η διαμόρφωση μιας λείας επιφάνειας παράλληλης με την άλλη πλευρά του πάνελ.

Η τέχνη του ξεχόνδρισμα απαιτεί κυρίως ορθή κρίση σχετικά με το βάθος κοπής σε διάφορες περιπτώσεις. Θα πρέπει να λαμβάνονται υπόψη:

1. Το πλάτος της ξυλείας
2. Η σκληρότητα της ξυλείας
3. Η υγρασία της ξυλείας
4. Η ευθύτητα του πάνελ
5. Η κατεύθυνση των νερών
6. Η δομή των νερών

Η επίδραση των παραγόντων αυτών μαθαίνεται μόνο μέσα από την εμπειρία. Όταν εργάζεστε με νέο τύπο ξύλου ή με κάποια μη συνηθισμένα προβλήματα, πάντοτε κάντε δοκιμαστικές κοπές σε άχρηστο υλικό πριν εργαστείτε με το τεμάχιο εργασίας.

ΓΙΑ ΕΠΙΠΛΕΟΝ ΠΛΑΝΙΣΜΑ

Εάν απαιτείται επιπλέον πλάνισμα για να επιτευχθεί το επιθυμητό πάχος φινιρίσματος, ρυθμίστε με το χέρι το ύψος της κεφαλής κοπής μέχρι 3 χιλ. (οποιαδήποτε στιγμή) και ολοκληρώστε ένα ακόμη πέρασμα.

⚠ ΠΡΟΕΙΔΟΠΟΙΗΣΗ

Ποτέ μην πλανίσετε πάνω από 3 χιλ. σε ένα πέρασμα και ποτέ μην επιχειρήσετε να πλανίσετε πάνελ μήκους μικρότερου από 127 χιλιοστά. Φοράτε πάντοτε προστατευτική μάσκα.





Ελληνικά

ΣΥΝΤΗΡΗΣΗ

⚠ ΠΡΟΕΙΔΟΠΟΙΗΣΗ

Να βεβαιώνεστε πάντα ότι το φινι έχει βγει από τη πρίζα πριν από κάnete προσαρμογές, λίπανση ή όταν κάnete οποιαδήποτε συντήρηση του προϊόντος.

ΤΡΟΧΙΣΜΑ ΤΗΣ ΛΕΠΙΔΑΣ

Εάν απαιτείται τρόχισμα της λεπίδας, επιτρέπεται να γίνει μόνο στο σφηνοειδές τμήμα της.

ΛΙΠΑΝΣΗ

- Η συνιστώμενη λίπανση αλυσίδων με ράουλα που χρησιμοποιούνται σε μέτρια ως χαμηλή λειτουργία είναι ένα απλό σκούπισμα της αλυσίδας. Εάν υπάρχει μεγάλη εναπόθεση σκόνης, υπολειμμάτων ξύλου κτλ., περάστε την αλυσίδα με λίγο λάδι χωρίς να ρίχνετε το λάδι απευθείας πάνω στην αλυσίδα. Η υπερβολική λίπανση μπορεί να εντείνει τη συγκέντρωση σκόνης και υπολειμμάτων ξύλου και τη στερεοποίηση τους πάνω στην αλυσίδα με αποτέλεσμα τη πρόωρη φθορά και αντικατάστασή της. Αυτό ισχύει και για τις αλυσίδες μείωσης ταχύτητας και ρύθμισης ύψους καθώς και για τις βίδες ανύψωσης.
- Τα έδρανα στην κεφαλή κοπής έχουν λιπανθεί και σφραγιστεί από το εργοστάσιο. Δεν απαιτούν καμία άλλη συντήρηση.

ΤΑΚΤΙΚΗ ΣΥΝΤΗΡΗΣΗ

- Η μεγάλη συγκέντρωση προιονιδιών και άλλων υπολειμμάτων μπορεί να εμποδίσει το σωστό πλάνισμα. Ο τακτικός καθαρισμός είναι υποχρεωτικός για να εξασφαλίζεται πλάνισμα ακριβείας.
- Τα προσφυόμενα τμήματα όπως οι μπάρες ασφαλείας και οι υποδοχές της κεφαλής κοπής θα πρέπει να καθαρίζονται με βούρτσα έτσι ώστε να απομακρύνονται τυχόν προσκολλημένα ξένα υλικά. Στη συνέχεια, τοποθετήστε ξανά όλα τα τμήματα στις θέσεις τους αφού τα περάσετε ελαφρώς με λάδι.
- Αφαιρέστε τυχόν ρητίνες και άλλες εναποθέσεις από τους κυλίνδρους τροφοδοσίας με κάποιο μ η εύφλεκτο διαλυτικό.

ΜΕΤΑΦΟΡΑ ΚΑΙ ΑΠΟΘΗΚΕΥΣΗ

Κατά τη μεταφορά του μηχανήματος, αποσυνδέστε το από το ρεύμα και βγάλτε το από τη βάση του. Μεταφέρετε το μηχάνημα πλάνισμα από τις λαβές που υπάρχουν στις δυο πλευρές του περιβλήματος. Αποθηκεύστε το προϊόν σε ένα ασφαλές μέρος που δεν είναι προσίτο στα παιδιά.

Καθαρίστε το προϊόν με μια βούρτσα και ηλεκτρική

σκούπα πριν από την αποθήκευση.

ΠΡΟΣΤΑΣΙΑ ΤΟΥ ΠΕΡΙΒΑΛΛΟΝΤΟΣ



Ανακυκλώνετε τις πρώτες ύλες αντί να τις πετάτε ως απορρίμματα. Για την προστασία του περιβάλλοντος, πρέπει να γίνεται η διαλογή του εργαλείου, των εξαρτημάτων και των συσκευασιών του.

ΠΣΥΜΒΟΛΟ



Προειδοποίηση ασφαλείας



Συμμόρφωση CE



Παρακαλούμε διαβάστε προσεκτικά τις οδηγίες πριν χρησιμοποιήσετε το προϊόν.



Κατηγορία II, διπλή μόνωση



Φοράτε προστατευτικά αυτιών



Φοράτε πάντα προστατευτικά ματιών.



Κατεύθυνση περιστροφής λεπίδας



Μέγιστο βάθος πλάνισματος ανά πέρασμα



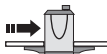
Ελάχιστο μήκος πλάνισματος



Μέγιστο πλάτος πλάνισματος



Ύψος πλάνισματος



Ταχύτητα τροφοδοσίας



Ελληνικά



Μήκος λεπίδας



Χαμηλώστε τη λεπίδα



Ανυψώστε τη λεπίδα



Τα ηλεκτρικά προϊόντα προς απόρριψη δεν θα πρέπει να απορρίπτονται μαζί με τα οικιακά απόβλητα. Παρακαλούμε ανακυκλώστε όπου υπάρχουν οι αντίστοιχες εγκαταστάσεις. Μιλήστε με τις τοπικές αρχές ή τον πωλητή για να σας ενημερώσουν σχετικά με τα προγράμματα ανακύκλωσης.



Ελληνικά

ΑΝΤΙΜΕΤΩΠΙΣΗ ΠΡΟΒΛΗΜΑΤΩΝ


Προβλημα	Πιθανή αιτία	Λύση
Τα νερά δεν είναι λειά.	<ol style="list-style-type: none"> 1. Το ξύλο είχε μεγάλο ποσοστό υγρασίας. 2. Οι λεπίδες έχουν στομώσει. 	<ol style="list-style-type: none"> 1. Στεγνώστε το ξύλο. 2. Τροχίστε τις λεπίδες.
Τα νερά είναι συστραμμένα.	<ol style="list-style-type: none"> 1. Μεγάλο βάθος κοπής. 2. Οι λεπίδες κόβουν αντίθετα από τη φορά των νερών. 3. Οι λεπίδες έχουν στομώσει. 	<ol style="list-style-type: none"> 1. Ελέγξτε το βάθος κοπής. 2. Τοποθετήστε το τεμάχιο εργασίας κατά τη φορά των νερών ή γυρίστε το από την άλλη πλευρά. 3. Τροχίστε τις λεπίδες.
Τα νερά είναι τραχιά/ ανασηκωμένα.	<ol style="list-style-type: none"> 1. Οι λεπίδες έχουν στομώσει. 2. Μεγάλο βάθος κοπής. 3. Μεγάλο ποσοστό υγρασίας. 4. Τα έδρανα της κεφαλής κοπής έχουν φθαρεί. 	<ol style="list-style-type: none"> 1. Τροχίστε τις λεπίδες. 2. Ελέγξτε το βάθος κοπής. 3. Στεγνώστε το ξύλο. 4. Αντικαταστήστε τα έδρανα.
Διαφορετικό βάθος κοπής στις δύο πλευρές.	<ol style="list-style-type: none"> 1. Η προβολή της λεπίδας δεν είναι ενιαία. 2. Η κεφαλή κοπής δεν είναι ευθυγραμμισμένη με το τραπέζι εργασίας. 	<ol style="list-style-type: none"> 1. Ρυθμίστε την προβολή της λεπίδας. 2. Ευθυγραμμίστε την κεφαλή κοπής με το τραπέζι εργασίας.
Το πάχος του πάνελ δεν ταιριάζει με το βάθος της κλίμακας κοπής.	<ol style="list-style-type: none"> 1. Η κλίμακα βάθους κοπής δεν είναι σωστή. 	<ol style="list-style-type: none"> 1. Ρυθμίστε την κλίμακα βάθους κοπής.
Η αλυσίδα πηδάει.	<ol style="list-style-type: none"> 1. Τα γρανάζια δεν είναι ευθυγραμμισμένα 2. Τα γρανάζια είναι φθαρμένα. 	<ol style="list-style-type: none"> 1. Ευθυγραμμίστε τα γρανάζια. 2. Αντικαταστήστε το γρανάζι.
Το μηχάνημα δεν λειτουργεί/ δεν ξαναξεκινά να λειτουργεί.	<ol style="list-style-type: none"> 1. Το μηχάνημα δεν είναι συνδεδεμένο στο ρεύμα. 2. Υπάρχει βλάβη στο μοτέρ. 3. Το καλώδιο είναι χαλαρό. 4. Η επαναφορά λόγω υπερφόρτισης δεν λειτουργεί. 5. Υπάρχει βλάβη εκκίνησης του μοτέρ. 	<ol style="list-style-type: none"> 1. Ελέγξτε την παροχή ρεύματος. 2. Ελέγξτε το μοτέρ. 3. Αναθέστε τον έλεγχο του μοτέρ σε εξουσιοδοτημένο πάροχο σέρβις. 4. Αφήστε το μηχάνημα να κρυώσει και δοκιμάστε να το ενεργοποιήσετε. 5. Αναθέστε τον έλεγχο του ρυθμιστή εκκίνησης του μοτέρ σε εξουσιοδοτημένο πάροχο σέρβις.
Η επανειλημμένη ενεργοποίηση του κυκλώματος οδηγεί σε διακοπή του μοτέρ.	<ol style="list-style-type: none"> 1. Το καλώδιο προέκτασης είναι είτε πολύ μακρύ είτε πολύ λεπτό. 2. Οι λεπίδες έχουν στομώσει. 3. Χαμηλή τάση τροφοδοσίας. 	<ol style="list-style-type: none"> 1. Χρησιμοποιήστε ένα κοντύτερο ή παχύτερο καλώδιο. 2. Τροχίστε ή αντικαταστήστε τις λεπίδες. 3. Ελέγξτε την τάση τροφοδοσίας.
Κακή τροφοδοσία ξυλείας.	<ol style="list-style-type: none"> 1. Το τραπέζι εργασίας είναι βρώμικο. 2. Ο κύλινδρος τροφοδοσίας έχει βλάβη. 3. Κάποιο γρανάζι έχει βλάβη. 4. Κακή λειτουργία μειωτήρων. 	<ol style="list-style-type: none"> 1. Καθαρίστε τυχόν πίσσα και υπολείμματα και λιπάνετε το τραπέζι της πλάνης. 2. Αντικαταστήστε τον κύλινδρο τροφοδοσίας. 3. Αντικαταστήστε το γρανάζι. 4. Ελέγξτε το μειωτήρα.
Το τεμάχιο εργασίας έχει φρακάρει.	<ol style="list-style-type: none"> 1. Λανθασμένη ρύθμιση ύψους λεπίδας. 	<ol style="list-style-type: none"> 1. Ρυθμίστε τη λεπίδα στο σωστό ύψος.



English	Français	Deutsch	Español	Italiano	Nederlands	Português
Product specifications	Caractéristiques de l'appareil	Produkt-Spezifikationen	Especificaciones del producto	Specifiche prodotto	Productspecificaties	Especificações do produto
Thickness planer with anti-kickback	Raboteuse avec fonction anti-rebond	Dickenhobel mit Rückstoßschutz	Cepilladora de grosor con antirretroceso	Pialla a spessore con protezione anti-contraccolpo	Vandiktebank met anti-terugslag	Desengrossadora com anti-ressalto
Model	Modèle	Modell	Modelo	Modello	Model	Modelo
Input	Alimentation	Eingangslleistung	Tensión nominal	Alimentazione	Input	Admissão
No-load speed r/min. (RPM)	Vitesse à vide tr/min. (tr.min ⁻¹)	Leerlaufdrehzahl U/min	Velocidad sin carga r/min. (RPM)	Velocità a vuoto r/min. (RPM)	Onbelast toerental t/min. (TPM)	Velocidade em vazio r/min. (RPM)
Minimum planing length	Longueur minimale de rabotage	Mindesthobellänge	Longitud mínima del cepillado	Lunghezza piallatura minima	Minimale schaaflengte	Comprimento mínimo de aplainamento
Maximum planing width	Largeur maximale de rabotage	Maximale Hobelbreite	Anchura máxima del cepillado	Larghezza piallatura massima	Maximale schaafbreedte	Largura máxima de aplainamento
Planing height	Hauteur de rabotage	Hobelhöhe	Altura del cepillado	Altezza piallatura	Schaaflhoogte	Altura de aplainamento
Maximum planing depth per pass	Profondeur maximale de rabotage par passage	Maximale Hobeltiefe je Durchgang	Profundidad máxima del cepillado por pase	Profondità piallatura massima per passata	Maximale schaaflieppte per doorgang	Profundidade máxima de aplainamento por passagem
Feeding speed	Vitesse d'alimentation	Zufuhrgeschwindigkeit	Velocidad de alimentación	Velocità di avanzamento	Voedingsnelheid	Velocidade de alimentação
Weight	Poids	Gewicht	Peso	Peso	Gewicht	Peso
Measured values determined according to EN 61029 A-weighted sound pressure level Uncertainty K	Valeurs mesurées obtenues selon EN 61029 Niveau de pression sonore pondérée-A Incertitude K	Gemäß EN 61029 gemessene Werte A-bewerteter Schalldruckpegel Unsicherheit K	Valores medidos determinados de acuerdo con EN 61029 Nivel de presión acústica ponderada en A Incertidumbre K	Valori misurati determinati in accordo con lo standard EN 61029 Livello di pressione sonora pesato A Incertezza K	Valeurs mesurées obtenues selon EN 61029 A-gewogen geluidsrukniveau Onzekerheid K	Valores medidos calculados de acordo com EN 61029 Nível de pressão sonora ponderada A Incerteza K
Measured values determined according to EN 61029 A-weighted sound power level Uncertainty K	Valeurs mesurées obtenues selon EN 61029 Niveau de puissance sonore pondérée-A Incertitude K	Gemäß EN 61029 gemessene Werte A-bewerteter Schalleistungspegel Unsicherheit K	Valores medidos determinados de acuerdo con EN 61029 Nivel de potencia acústica ponderada en A Incertidumbre K	Valori misurati determinati in accordo con lo standard EN 61029 Livello di potenza sonora pesato A Incertezza K	Valeurs mesurées obtenues selon EN 61029 A-gewogen geluidsniveau Onzekerheid K	Valores medidos calculados de acordo com EN 61029 Nível de potência sonora ponderada A Incerteza K
Replacement parts	Pièces de rechange	Ersatzteile	Piezas de repuesto	Ricambi	Vervangende onderdelen	Peças sobresselentes
Blade	Lame	Klinge	Hoja	Lama	Zaagblad	Lâmina

Dansk	Svenska	Suomi	Norsk	Русский	Polски	
Produktspecifikationer	Produktspecifikationer	Tuotteen tekniset tiedot	Produktspecificasjoner	Характеристики изделия	Parametry techniczne	
Tykkelseshøvl med tilbageslagssikring	Planhyvel med säkerhetssystem som förhindrar återstuds	Tasohöylä takaikun esto -ominaisuudella	Tykkelseshøvelmaskin med anti-rekyl	Рейсмусовый станок с защитой от обратного хода заготовки	Szifierka taśmowo-tarczowa	
Model	Modell	Malli	Modell	Модель	Model	RAP1500G
Stromforsyning	Matningsspänning	Virrankulutus	Input	Питание	Zasilanie	220-240 V ~, 50 Hz 1500 W, 6.25 Amp
Tomgangshastighed omdr./min. (RPM)	Tomgångshastighet v/min (varv per minut)	Tyhjäkäyntinopeus kierr./min (RPM)	Hastighet ubelastet o/min. (RPM)	Скорость на холостом ходу об/мин	Prędkość bez obciążenia obr./min. (RPM)	9000
Minimal høvelelgde	Minsta planhyvlingslängd	Höyläyspituus, min.	Minimum høvelelgde	Минимальная длина заготовки	Minimalna długość strugania	127 mm
Maksimal høvebredde	Maximal planhyvlingslängd	Höyläysleveys, max.	Maksimum høvebredde	Максимальная ширина заготовки	Maksymalna szerokość strugania	318 mm
Høvelelde	Planhyvlingshöjd	Höyläyskorkeus	Høvelelde	Высота заготовки	Wysokość strugania	7 - 153 mm
Maksimal høvedybde pr. omgang	Maximalt planhyvlingsdjup per passage	Höyläysyvyyys yhdellä pyyhkäisyllä, max.	Maksimum høvedybde per omgang	Максимальная глубина строгания за один проход	Maksymalna głębokość strugania na przejście	3 mm
Indføringshastighed	Matningshastighet	Syöttönopeus	Matehastighet	Скорость подачи заготовки	Prędkość podawania	8 m/min
Vægt	Vikt	Paino	Vekt	Вес	Waga	30 kg
Målte værdier bestemmes i henhold til EN 61029 A-vægtet lydtrykniveau	Värden uppmätta enligt EN 61029 A-vägd ljudtrycksnivå	Mitatut arvot määritetty EN 61029 -standardin mukaan A-painotettu äänenpainetaso Epätarkkuus K	Målte verdier i samsvar med EN 61029 A-vektet lydtryknivå	Измеренные значения определены в соответствии с EN 61029 Уровень A-взвешенного звукового давления Разброс K	Zmierzone wartości określone wg EN 61029 A-ważony poziom ciśnienia hałasu	$L_{pA} = 93,5 \text{ dB(A)}$
Usikkerhed K	Osäkerhet K		Usikkerhet K		Niepewność pomiaru K	3 dB
Målte værdier bestemmes i henhold til EN 61029 A-vægtet lydeffektniveau	Värden uppmätta enligt EN 61029 A-vägd lydeffektsnivå	Mitatut arvot määritetty EN 61029 -standardin mukaan A-painotettu äänenhevo Epätarkkuus K	Målte verdier i samsvar med EN 61029 A-vektet lydeffektnivå	Измеренные значения определены в соответствии с EN 61029 Уровень A-взвешенной звуковой мощности Разброс K	Zmierzone wartości określone wg EN 61029 A-ważony poziom natężenia hałasu	$L_{wA} = 102,5 \text{ dB(A)}$
Usikkerhed K	Osäkerhet K		Usikkerhet K		Niepewność pomiaru K	3 dB
Reserve dele	Reservdelar	Varaosat	Reservdeleler	Запасные части	Części zamienne	
Klinge	Sågklinga	Terä	Blad	Лезвие	Tarcza	5132002896

Čeština	Magyar	Română	Latviski	Lietuviškai	Eesti
Technické údaje produktu	Termék műszaki adatai	Specificațiile produsului	Produkta specifikācijas	Gaminio techninės savybės	Toote tehnilised andmed
Bruska	Kőszőrő-csiszológép	Polizor șlefuitor	Lentas slīpmašīna	Šlifavimo įrenginys	Lauakäi-lintihviija
Model	Típus	Model	Modelis	Modelis	Mudeli tähis
Vstup	Bemenet	Intrare	Ieeja	Ivestis	Vooluvõrk
Otáčky naprázdno ot./min. (RPM)	Üresjárati fordulatszám ford./perc (RPM)	Viteză în gol rot/min. (RPM)	Apgrīzieni bez slodzes apgr./min. (RPM)	Greitis be apkrovimo aps./min. (apsukų per minutę)	Kiirus ilma koormuseta p/min. (p/min)
Minimální hoblovací délka	Legkisebb gyalulási hossz	Lungime minimă rindeluire	Minimālais ēvelēšanas garums	Minimalus obliavimo ilgis	Minimaalne hõõveldamis pikkus
Maximální hoblovací šířka	Legnagyobb gyalulási szélesség	Lățime maximă rindeluire	Maksimālais ēvelēšanas platums	Maksimalus obliavimo plotis	Maksimaalne hõõveldamistalaus
Hoblovací výška	Gyalulási magasság	Grosime rindeluire	Ēvelēšanas augstums	Obliavimo aukštis	Hõõveldamiskõrgus
Maximální hoblovací hloubka na průchod	Egy áthaladás legnagyobb gyalulási mélysége	Adâncime maximă rindeluire per trecere	Maksimālais ēvelēšanas dziļums vienā gājienā	Maksimalus vieno prastūrimo obliavimo gylis	Maksimaalne hõõveldamissügavus ühe etteande kohta
Vkládací rychlost	Adagolási sebesség	Viteză alimentare	Padeves ātrums	Tiekiamo greitis	Etteandekiirus
Hmotnost	Tömeg	Greutate	Svars	Svoris	Mass
Naměřené hodnoty zjištěné dle EN 61029 Hladina akustického tlaku vážená funkcí A	A mért értékek meghatározása az EN 61029 szerint történt A-súlyozott hangnyomásszint	Valori măsurate determinate în conformitate cu EN 61029 Nivel de presiune acustică ponderată A	Izmērtās vērtības saskaņā ar EN 61029 A-līmeņa skaņas spiediena līmenis	Išmatuotosis vertės nustatytos pagal EN 61029 A svertinis garso slėgio lygis	Mõõteväärtused on kindlaks määratud vastavalt standardile EN 61029 A-kaalutud helirõhu tase
Nejistota K	Bizonytalanság K	Incertitudine K	Kļūdas vērtība K	Nepastovumas K	Mõõtemääramatus K
Naměřené hodnoty zjištěné dle EN 61029 Hladina akustického výkonu vážená funkcí A	A mért értékek meghatározása az EN 61029 szerint történt A-súlyozott hangteljesítményszint	Valori măsurate determinate în conformitate cu EN 61029 Nivel de putere acustică ponderată A	Izmērtās vērtības saskaņā ar EN 61029 A-līmeņa skaņas jaudas līmenis	Išmatuotosis vertės nustatytos pagal EN 61029 A svertinis garso galios lygis	Mõõteväärtused on kindlaks määratud vastavalt standardile EN 61029 A-kaalutud helivõimsuse tase
Nejistota K	Bizonytalanság K	Incertitudine K	Kļūdas vērtība K	Nepastovumas K	Mõõtemääramatus K
Náhradní díly	Cserealkatrészek	Piese de schimb	Mainas detaļas	Atsarginės dalys	Varuosad
Pilový kotouč	Fűrészlemez	Lamă	Ripa	Geležė	Saeketas

Hrvatski	Slovensko	Slovenčina	България	українська мова	Türkçe	Ελληνικά	
Specifikacije proizvoda	Specifikacije izdelka	Specifikácia	Спецификации на продукта	Технічні характеристики продукту	Ürün Özellikleri	Προδιαγραφές Προϊόντος	
Brusilica za brušenje i poliranje	Kombinovaná pásová a kotúčová bruska	Kombinirani brusilnik	Машина за регулиране на дебелината със система против откат	Шліфувальна машина	Taşlama ve Zımpara Makinesi	Τριβείο	
Model	Model	Model	Модел	Модель	Model	Μοντέλο	RAP1500G
Ulaz	Vhod	Vstup	Входен волтаж	Вхідний	Giriş	Είσοδος ρεύματος	220-240 V  50 Hz 1500 W, 6.25 Amp
Brzina bez opterećenja o/min (OKR/MIN)	Hitrost brez obremenitve vrt./min (RPM)	Rýchlosť bez záťaže ot./min.	Скорост без натоварване (м/сек)	Швидкість без навантаження Об/хв. (Оборотів за хвилину)	Bota hız d/dak. (DDS)	Ταχύτητα σι κεν r/min. (RPM)	9000
Minimalna duljina blanjanja	Minimálna dĺžka hobľovania	Največja dolžina obdelave	Минимална дължина на хобловане	Минимална довжина стругання	Asgari planyalama uzunluđu	Ελάχιστο μήκος πλάνιαματος	127 mm
Maksimalna širina blanjanja	Maximálna šírka hobľovania	Največja širina obdelave	Μαξимална дължина на хобловане	Μαξимална ширина зрізання	Azami planyalama genişliđi	Μέγιστο πλάτος πλάνιαματος	318 mm
Visina blanjanja	Výška hobľovania	Višina obdelave	Височина на хобловане	Висота стругання	Planyalama yüksekliđi	Ύψος πλάνιαματος	7 - 153 mm
Maksimalna dubina blanjanja po jednom prolazu	Maximálna výška hobľovania	Največja globina obdelave v istem prehodu	Μαξимална дебелина на хобловане за ход	Μαξимална гĺбина стругання за один прохід	Geçiş başına azami planyalama derinliđi	Μέγιστο βάθος πλάνιαματος ανά πέρασμα	3 mm
Brzina ulaganja materijala	Rýchlosť posuvu	Hitrost dovajanja	Скорост на подаване	Швидкість подачі	Besleme hızı	Ταχύτητα τροφοδοσίας	8 m/min
Težina	Teža	Hmotnosť	Тегло	Вага	Ağırlık	Βάρος	30 kg
Mjerene vrijednosti određene su prema EN 61029	Izmerjene vrednosti določene v skladu s standardom EN 61029	Namerané hodnoty určené podľa EN 61029	Измерени стойности, определени в съответствие с EN 61029	Вимірні значення шуму визначаються відповідно до EN 61029	EN 61029 ile uyumlu olarak belirlenen ölçülen değerler	Οι υπολογισμένες τιμές καθοριστήκαν σύμφωνα με το EN 61029	$L_{pA} = 93,5 \text{ dB(A)}$
Ponderirana razina tlaka zvuka	A-izmerjena raven zvočnega tlaka	Vážená A hladina akustického tlaku	Ниво на шумово налягане с равнище А	A-зважений рівень звукового тиску	A ağırlıklı ses basınç seviyesi	Α-σταθμισμένο επίπεδο πίεσης ήχου	
Neodređenost K	Nedoloč. K	Odhýľka K	Промениливост К	Невизначеність К	Belirsizlik K	Αβεβαιότητα Κ	3 dB
Mjerene vrijednosti određene su prema EN 61029	Izmerjene vrednosti določene v skladu s standardom EN 61029	Namerané hodnoty určene podľa EN 61029	Измерени стойности, определени в съответствие с EN 61029	Вимірні значення шуму визначаються відповідно до EN 61029	EN 61029 ile uyumlu olarak belirlenen ölçülen değerler	Οι υπολογισμένες τιμές καθοριστήκαν σύμφωνα με το EN 61029	$L_{WA} = 102,5 \text{ dB(A)}$
Ponderirana razina zvučne snage	A-izmerjena raven zvočne moči	Vážená A hladina akustického tlaku	Ниво на силата на шума с равнище А	A-зважений рівень звукової потужності	A ağırlıklı ses gücü seviyesi	Α-σταθμισμένο επίπεδο έντασης ήχου	
Neodređenost K	Nedoloč. K	Odhýľka K	Промениливост К	Невизначеність К	Belirsizlik K	Αβεβαιότητα Κ	3 dB
Zamjenski dijelovi	Vymeniteľné diely	Nadomestni deli	Смяна на части	Запасні частини	Yedek parçalar	Ανταλλακτικά	
Oštrica	Rezilo	Ostrie	Острие	Лезо	Viçak	Λάμα	5132002896

EN RYOBI® WARRANTY APPLICATION CONDITIONS

In addition to any statutory rights resulting from the purchase, this product is covered by a warranty as stated below.

1. The warranty period is 24 months for consumers and commences on the date the product was purchased. This date has to be documented by an invoice or other proof of purchase. The product is designed and dedicated to consumer and private use only. So there is no warranty provided in case of professional or commercial use. This warranty applies only on new products.
2. There is a possibility to extend for a part of the range of power tools (AC/DC) the warranty period over the period described above using the registration on the www.ryobitools.eu website. The eligibility of products for extended warranty is clearly displayed in stores and / or on packaging and is contained within the product documentation. The end user is required to register his/her newly-acquired products online within 30 days from the date of purchase. The end user may register for the extended warranty in his/her country of residence if listed on the online registration form where this option is valid. Furthermore, end users must give their consent to the storage of their personal data that is required to be entered online. They must also accept the terms and conditions. The registration confirmation receipt, which is sent out by e-mail, and the original invoice showing the date of purchase will serve as proof of the extended warranty.
3. The warranty covers all defects of the product during the warranty period due to faults in workmanship or material at the purchase date. The warranty is limited to repair and/or replacement and does not include any other obligations including but not limited to incidental or consequential damages. The warranty is not valid if the product has been misused, used contrary to the instruction manual, or has been incorrectly connected to a power supply. This warranty does not apply to:
 - any damage to the product that is the result of improper or lack of maintenance
 - any product that has been altered or modified
 - any product where original identification (factory mark, serial number) markings have been defaced, altered or removed
 - any damage caused by non-observance of the instruction manual
 - any product not displaying the CE approval mark on the rating plate
 - any product that has been attempted to be repaired by a non-authorized warranty service centre or without prior authorisation by Techtronic Industries
 - any product connected to improper power supply (amps, voltage, frequency)
 - any damage caused by external influences (water, chemical, physical, shocks) or foreign substances
 - normal wear and tear spare parts
 - inappropriate use, overloading of the tool
 - use of non-approved accessories or parts
 - Power tool accessories provided with the tool or purchased separately, including but not limited to screw driver bits, drill bits, abrasive discs, sand paper and blades, lateral guide, etc.
 - Components (parts and accessories) subject to natural wear and tear, including but not limited to service & maintenance kits, carbon brushes, bearings, chuck, SDS drill bit attachment or reception, power cord, auxiliary handle, transport carry case, sanding plate, dust bag, dust exhaust tube, felt washers, impact wrench pins & springs, etc.
4. For servicing, the product must be sent or presented to a RYOBI authorised service station listed for each country in the following list of service station addresses. In some countries your local RYOBI dealer undertakes to send the product to the RYOBI service organisation. When sending a product to a RYOBI service station, the product should be safely packed without any dangerous contents such as petrol, marked with sender's address and accompanied by a short description of the fault.
5. A repair / replacement under this warranty is free of charge. It does not constitute an extension or a new start of the warranty period. Exchanged parts or products become our property. In some countries delivery charges or postage will have to be paid by the sender. Your statutory rights arising from the purchase of the product remain unaffected
6. This warranty is valid in the European Community, Switzerland, Iceland, Norway, Liechtenstein, Turkey and Russia. Outside these areas, please contact your authorised RYOBI dealer to determine if another warranty applies.

AUTHORISED SERVICE CENTRE

To find an authorised service centre near you, visit <http://en.ryobitools.eu/header/service-and-support/service-agents>

FR RYOBI® CONDITIONS D'APPLICATION DE LA GARANTIE

En plus des droits statutaires liés à l'achat, ce produit est couvert par une garantie telle que décrite ci-dessous.

1. La durée de la garantie accordée au consommateur est de 24 mois à partir de la date d'achat. Cette date doit être attestée par une facture ou toute autre preuve d'achat. Le produit a été conçu en vue d'une utilisation strictement privée. Aucune garantie ne s'applique donc en cas d'utilisation professionnelle ou commerciale.
2. Il existe pour une partie de la gamme d'outils électroportatifs (AC/DC), une possibilité d'étendre la période de garantie au-delà de la période précédemment décrite en utilisant le formulaire d'enregistrement présent sur le site Internet www.ryobitools.eu. L'éligibilité d'un outil est clairement affichée dans les points de vente et/ou sur l'emballage et la documentation. L'utilisateur final doit enregistrer son/ses outil(s) nouvellement acheté(s) en ligne dans les 30 jours qui suivent la date d'achat. L'utilisateur a la possibilité de s'enregistrer pour l'extension de garantie dans son pays de résidence si celui-ci est listé dans le formulaire d'enregistrement en ligne où cette option est valide. L'utilisateur final doit donner son consentement pour l'enregistrement des données requises pour accéder au site et doit accepter les termes et conditions. La confirmation d'enregistrement, envoyée par courrier électronique, ainsi que la facture originale mentionnant la date d'achat serviront de preuve de l'extension de garantie.
3. La garantie couvre pendant la période de garantie les défauts des produits liés à la fabrication et aux matériaux à la date d'achat. La garantie est limitée à la réparation et/ou au remplacement et n'inclut aucune autre obligation, tel que, mais sans s'y limiter, les dommages accessoires ou indirects. La garantie est non valable en cas de mauvaise utilisation du produit, d'utilisation contraire aux instructions du mode d'emploi, ou en cas de branchement incorrect. Cette garantie ne s'applique pas pour :
 - tout dommage au produit résultant d'un mauvais entretien
 - tout produit ayant été altéré ou modifié
 - tout produit dont les marquages originaux d'identification (marque, numéro de série) ont été dégradés, altérés ou retirés
 - tout dommage causé par le non-respect des instructions du mode d'emploi
 - tout produit non CE
 - tout produit ayant subi une tentative de réparation par du personnel non qualifié ou sans autorisation préalable de Techtronic Industries
 - tout produit raccordé à une alimentation secteur non conforme (ampérage, voltage, fréquence)
 - tout dommage causé par des influences extérieures (chimiques, physiques, chocs) ou par des substances étrangères
 - l'usure normale des pièces consommables
 - une utilisation inappropriée, une surcharge de l'outil
 - l'utilisation de pièces ou accessoires non agréés
 - accessoires de l'outil électrique fournis avec l'outil ou achetés séparément. Cela comprend notamment les embouts de vissage, les forets de perçuse, les disques abrasifs, le papier de verre et les lames, le guide latéral
 - Les composants (pièces et accessoires) sujets à l'usure naturelle, ceci incluant notamment les mandrins, les charbons, adaptateurs SDS, les cordons d'alimentation, les poignées auxiliaires, les mallettes de transport, les plateaux de ponçage, les sacs collecteurs de poussière, les tubes d'extraction de poussière, les carrés de clé à choc, etc.
4. Si le produit doit être réparé, envoyez-le à un service après-vente agréé RYOBI dont vous trouverez ci-dessous la liste par chaque pays. Dans certains pays, votre revendeur RYOBI se chargera d'envoyer le produit à un centre de réparation RYOBI. Lorsque vous envoyez un produit à un service après-vente RYOBI, celui-ci doit être correctement emballé, sans contenir aucun produit dangereux tel que de l'essence, et vous devez indiquer votre adresse ainsi qu'une courte description du problème.
5. Une réparation / un remplacement sous garantie est gratuit(e). Ceci ne constituera pas une extension de garantie ni un nouveau départ de la période de garantie. Les pièces ou les outils remplacés deviennent notre propriété. Dans certains pays, les frais de port devront être assumés par l'expéditeur. Vos droits statutaires restent inchangés.
6. Cette garantie est valable au sein de l'Europe, de la Suisse, de l'Islande, de la Norvège, du Liechtenstein, de la Turquie, de la Russie. En dehors de ces zones, veuillez contacter votre distributeur agréé RYOBI pour déterminer si une autre garantie s'applique.

SERVICE APRÈS-VENTE AGRÉÉ

Pour trouver le service après-vente agréé le plus proche, rendez-vous sur <http://fr.ryobitools.eu/header/service-and-support/service-agents>.

DE RYOBI® GARANTIEBEDINGUNGEN

Zusätzlich zu den gesetzlichen Rechten aus dem Kauf gilt für dieses Produkt die nachstehend aufgeführte Garantie.

- Der Garantiezeitraum beträgt für Verbraucher 24 Monate und beginnt mit dem Datum des Kaufs. Dieses Datum muss durch eine Rechnung oder einen anderen Kaufbeleg dokumentiert werden. Dieses Produkt wurde ausschließlich zur privaten Nutzung durch Verbraucher entwickelt. Für den Fall einer professionellen bzw. kommerziellen Nutzung besteht daher keine Garantie.
- Es besteht die Möglichkeit, für einen Teil des Sortiments der Elektrogeräte (AC/DC) den Garantiezeitraum über den oben genannten Zeitraum hinaus zu verlängern, indem der Verbraucher die Registrierung auf der Website www.ryobitools.eu durchführt. Die Berechtigung der Werkzeuge für die Garantieverlängerung ist deutlich im Geschäft und/oder auf der Verpackung beschrieben und in der Produktbeschreibung erwähnt. Der Verbraucher muss das neu erworbenes Gerät online innerhalb von 30 Tagen ab dem Kaufdatum registrieren. Der Verbraucher kann das Gerät zwecks Garantieverlängerung in seinem Wohnsitzland/Heimatland registrieren, wenn dieses Land auf dem Online-Registrierungsformular aufgeführt und die Option gültig ist. Darüber hinaus muss der Verbraucher seine Zustimmung zur Speicherung der Daten geben, die online eingegeben werden müssen, und er muss die allgemeinen Geschäftsbedingungen akzeptieren. Die Bestätigung der Registrierung, die per E-Mail versandt wird, und die Originalrechnung mit dem Kaufdatum gelten als Beleg für die Garantieverlängerung.
- Die Garantie deckt alle Defekte des Geräts während des Garantiezeitraums ab, die auf zum Zeitpunkt des Kaufs bestehende Verarbeitungs- oder Materialfehler zurückzuführen sind. Die Garantie beschränkt sich auf Reparatur und/oder Ersatz und beinhaltet keine anderen Verpflichtungen, insbesondere keinen Schadenersatz für Folge- oder Nebenschäden. Die Garantie gilt nicht, wenn das Gerät fehlerhaft eingesetzt wurde, gegenseitlich zur Bedienungsanleitung eingesetzt wurde oder falsch angeschlossen wurde. Die Garantie gilt nicht für Folgendes:
 - Schäden am Gerät, die auf unkorrekte Wartung zurückzuführen sind
 - Geräte, an denen Veränderungen vorgenommen wurden
 - Produkte, bei denen die ursprüngliche Identifizierung (Handelsmarke, Seriennummer) unleserlich gemacht, verändert oder entfernt wurde
 - Schäden durch Nichtbeachtung der Bedienungsanleitung
 - nicht-CE-zertifizierte Geräte
 - Geräte, an denen durch nicht-qualifizierte Personen oder ohne vorherige Genehmigung von Technicon Industries Reparaturversuche vorgenommen wurden
 - Geräte, die an unkorrekte Energiequellen (Ampere, Volt, Frequenz) angeschlossen wurden
 - Schäden durch äußere Einflüsse (chemisch, physisch, Stoffe) oder Fremdstoffe
 - normaler Verschleiß von Ersatzteilen
 - unangemessene Nutzung, Überlastung des Geräts
 - Nutzung nicht genehmigter Zubehörteile oder Ersatzteile
 - mit dem Gerät gelieferte oder separat erworbene Zubehörteile. Dieser Ausschluss beinhaltet, ist aber nicht beschränkt auf Schraubendreher-Bits, Bohrsätze, Schleifscheiben, Sandpapier und Klingen, Seitenführungen
 - Komponenten (Ersatzteile und Zubehörteile), die natürlichen und normalen Verschleißerscheinungen unterworfen sind, einschließlich aber nicht beschränkt auf: Service- und Wartungssätze, Kohlebürsten, Lager, Spannfutter, SDS-Bohreraufnahme /Bit-Adapter, Netzkabel, Zusatzhandgriff, Transportkoffer, Schleifteller, Staubbeutel, Staubabsaugrohr, Filzunterlegscheiben, Bolzen und Federn von Schlagschraubern usw.
- Zum Service muss das Gerät zu einer von RYOBI autorisierten Servicestation gebracht oder dorthin gesendet werden. Die Servicestationen für die einzelnen Länder sind in der folgenden Liste aufgeführt. In einigen Ländern sendet Ihr RYOBI-Händler vor Ort das Gerät an das RYOBI-Serviceunternehmen. Beim Einsenden an die RYOBI-Servicestation sollte das Gerät sicher verpackt sein, ohne gefährliche Inhalte wie Benzin, und es sollte mit der Adresse des Absenders und einer kurzen Beschreibung des Fehlers versehen sein.
- Eine Reparatur bzw. ein Ersatz gemäß dieser Garantie ist kostenlos. Hieraus ergibt sich weder eine Garantieverlängerung noch der Beginn eines neuen Garantiezeitraums. Die ausgetauschten Ersatzteile oder Werkzeuge gehen in unser Eigentum über. In einigen Ländern müssen die Zustellgebühren oder die Versandkosten vom Absender gezahlt werden. Ihre gesetzlichen Rechte aus dem Kauf des Geräts bleiben hiervon unberührt.
- Diese Garantie gilt in der Europäischen Union, der Schweiz, Island, Norwegen, Lichtenstein, der Türkei und Russland. Bitte wenden Sie sich außerhalb dieser Gebiete an Ihren autorisierten RYOBI-Händler, um festzustellen, ob eine andere Garantie gilt.

AUTORISIERTER KUNDENDIENST

Besuchen Sie <http://de.ryobitools.eu/header/service-and-support/service-agents>, um einen autorisierten Kundendienst in Ihrer Nähe zu finden.

ES CONDICIONES DE APLICACIÓN DE LA GARANTÍA DE RYOBI®

Además de cualquier derecho legal derivado de la compra, este producto está cubierto por una garantía que se indica a continuación.

- El periodo de garantía es de 24 meses para consumidores y comienza en la fecha en que se comprara el producto. Dicha fecha debe documentarse con una factura u otro comprobante de compra. El producto está diseñado y concebido únicamente para el uso privado del consumidor. Por lo tanto, no se ofrece garantía en caso de uso profesional o comercial.
- Existe la posibilidad de ampliar el periodo de garantía respecto a una parte de la gama de herramientas eléctricas (CA/CC) durante el periodo descrito más arriba y mediante el registro en el sitio web www.ryobitools.eu. La elegibilidad de las herramientas para que se amplíe el periodo de garantía se muestra claramente en las tiendas o en el embalaje y está incluida en la documentación del producto. El usuario final tiene que registrar en línea sus herramientas recientemente adquiridas en un plazo de 30 días a partir de la fecha de compra. El usuario final podrá registrarse para obtener la garantía ampliada en su país de residencia si este aparece en la lista del formulario de registro en línea cuando esta opción sea válida. Además, los usuarios finales deberán dar su consentimiento al almacenamiento de los datos necesarios para el acceso en línea y tienen que aceptar los términos y condiciones. El recibo de confirmación de registro, que se envía por correo electrónico, y la factura original que muestra la fecha de compra servirán como comprobante para la garantía ampliada.
- La garantía cubre todos los defectos del producto durante el periodo de garantía debido a fallos de mano de obra o material en la fecha de compra. La garantía se limita a la reparación o sustitución y no incluye ninguna otra obligación como, por ejemplo, daños accidentales o consecuentes. La garantía no es válida si se ha usado mal el producto, se ha usado contraviniendo el manual de instrucciones o se ha conectado de forma incorrecta. Esta garantía no es aplicable a:
 - ningún daño en el producto que sea consecuencia de un mantenimiento inadecuado
 - ningún producto que haya sido alterado o modificado
 - ningún producto en el que los marcados de identificación originales (marca comercial, número de serie) se hayan borrado, modificado o eliminado
 - ningún daño provocado por no seguir el manual de instrucciones
 - ningún producto que no sea CE
 - ningún producto que haya sufrido un intento de reparación por parte de un profesional no cualificado o sin la autorización previa de Technicon Industries.
 - ningún producto conectado a un suministro eléctrico inadecuado (amperios, voltaje, frecuencia)
 - ningún daño causado por influencias externas (químicas, físicas, impactos) o sustancias extrañas
 - desgaste normal de piezas de repuesto
 - uso inadecuado, sobrecarga de la herramienta
 - uso de accesorios o piezas no aprobados
 - Accesorios de herramientas eléctricas proporcionados con la herramienta o comprados por separado. Tales exclusiones incluyen, entre otros, brocas de destornilladores, brocas de taladro, discos abrasivos, papel de lija y cuchillas, y guías laterales
 - Componentes (piezas y accesorios) sujetos a un desgaste natural, que incluyen, entre otros, equipos de servicio y mantenimiento, escobillas de carbono, cojinetes, pinzas, accesorio o recepción de broca de taladro SDS, cable eléctrico, manillar auxiliar, bolsa de transporte, hoja lijadora, bolsa de polvo, tubo de escape de polvo, disco de fieltro, pasadores y resortes de llave de impacto, etc.
- Para su mantenimiento, el producto debe enviarse o presentarse a una estación de servicio de RYOBI autorizada que figure en la siguiente lista de direcciones de estaciones de servicio por países. En algunos países, su distribuidor RYOBI local se responsabiliza de enviar el producto a la compañía de servicio de RYOBI. Cuando se envíe un producto a una estación de servicio de RYOBI, este debe estar empaquetado de forma segura sin contenidos peligrosos como gasolina, marcado con la dirección del remitente y acompañado de una breve descripción del fallo.
- Una reparación / sustitución con esta garantía es gratuita. No constituye una ampliación ni un nuevo comienzo del periodo de garantía. Las piezas o herramientas intercambiadas pasan a ser de nuestra propiedad. En algunos países, los gastos de envío o correo tendrá que pagarlos el remitente. Sus derechos legales derivados de esta compra de la herramienta no se verán afectados.
- Esta garantía es válida en la Unión Europea, Suiza, Islandia, Noruega, Lichtenstein, Turquía y Rusia. Fuera de estas zonas, póngase en contacto con su distribuidor de RYOBI autorizado para determinar si es aplicable otra garantía.

SERVICIO TÉCNICO AUTORIZADO

Para encontrar el servicio técnico autorizado más cercano, visite <http://es.ryobitools.eu/header/service-and-support/service-agents>

IT CONDIZIONI DI VALIDITÀ DELLA GARANZIA RYOBI®

In aggiunta ai diritti di legge risultanti dall'acquisto, il prodotto è coperto dalla garanzia sotto descritta.

1. Il periodo di garanzia è di 24 mesi per i consumatori, a decorrere dalla data di acquisto del prodotto. La data deve essere documentata da una fattura o altra prova d'acquisto. Il prodotto è progettato e destinato solo all'utilizzo privato dei consumatori. Pertanto non viene fornita alcuna garanzia in caso di uso professionale o commerciale.
2. Per una serie di utensili elettrici (CA/CC) è possibile prolungare il periodo di garanzia oltre quello descritto, registrandosi sul sito web www.ryobitools.eu. Gli utensili per i quali è possibile prolungare il periodo di garanzia sono chiaramente indicati nei negozi e/o sulle confezioni e nella documentazione dei prodotti. L'utente deve registrare online l'utensile acquistato entro 30 giorni dalla data di acquisto. L'utente può registrarsi per la garanzia prolungata nel proprio paese di residenza, se questo è elencato nel modulo di registrazione online dove questa opzione sia valida. Inoltre gli utenti devono fornire il proprio consenso alla conservazione dei dati da immettere online e devono accettare le condizioni generali. La conferma di registrazione, inviata tramite e-mail, e la fattura originale indicante la data di acquisto, costituiranno la prova della garanzia prolungata.
3. La garanzia copre tutti i difetti del prodotto durante il periodo di garanzia, risultati da manodopera o materiali alla data di acquisto. La garanzia è limitata alla riparazione e/o sostituzione e non include alcun altro obbligo quali, a mero titolo esemplificativo, i danni incidentali o consequenziali. La garanzia non è valida se il prodotto è stato usato scorrettamente, in modo contrario al manuale di istruzioni o se è stato collegato in modo errato. La garanzia non è valida per:
 - qualsiasi danno al prodotto dovuto a manutenzione errata;
 - qualsiasi prodotto che sia stato alterato o modificato;
 - qualsiasi prodotto le cui marcature di identificazione originali (marchi di fabbrica, numero di serie) siano state cancellate, alterate o rimosse;
 - qualsiasi danno causato dalla non osservanza delle istruzioni del manuale;
 - qualsiasi prodotto privo di omologazione CE;
 - qualsiasi prodotto che sia stato sottoposto a un tentativo di riparazione da parte di un professionista non qualificato oppure senza la previa autorizzazione di Technronic Industries;
 - qualsiasi prodotto collegato a un'alimentazione errata (per amperre, tensione, frequenza);
 - qualsiasi danno causato da influenze esterne (chimiche, fisiche, urti) o sostanze estranee;
 - la normale usura delle parti di ricambio;
 - uso inappropriato, sovraccarico dell'utensile;
 - uso di accessori o parti non omologate;
 - accessori per utensili elettrici forniti con l'utensile o acquistati separatamente. Questa esclusione comprende, a mero titolo esemplificativo, punte per cacciaviti, punte per trapani, dischi abrasivi, carta vetrata, lame e guide laterali;
 - componenti (parti e accessori) soggetti alla normale usura compresi, a mero titolo esemplificativo, kit di servizio e manutenzione, spazzole al carbonio, cuscinetti, mandrini, attacchi per punte a vite autoporforante, cavi di alimentazione, maniglie ausiliarie, custodie di trasporto, piastre di levigatura, sacchetti per la polvere, tubi di scarico della polvere, rondelle di feltro, perni e molle per avvitatori ecc.
4. Per la manutenzione il prodotto dev'essere spedito o portato presso uno dei centri assistenza autorizzati RYOBI elencati per ogni paese nel seguente elenco di indirizzi dei centri. In alcuni paesi il rivenditore locale RYOBI si incarica di inviare il prodotto all'organizzazione di assistenza RYOBI. Quando si invia un prodotto a un centro assistenza RYOBI, imballarlo in modo sicuro senza contenuti pericolosi come la benzina, apporre l'indirizzo del mittente e accompagnarlo da una breve descrizione del guasto.
5. La riparazione/sostituzione ai sensi della presente garanzia è gratuita. Non costituisce un prolungamento o un nuovo inizio del periodo di garanzia. Le parti o gli utensili scambiati diventano di nostra proprietà. In alcuni paesi i costi di consegna o di spedizione postale devono essere pagati dal mittente. I diritti di legge derivanti dall'acquisto dell'utensile rimangono inalterati.
6. La presente garanzia è valida in Unione Europea, Svizzera, Islanda, Norvegia, Liechtenstein, Turchia e Russia. Al di fuori di tali aree contattare il rivenditore autorizzato RYOBI per sapere se è valida un'altra garanzia.

CENTRO SERVIZI AUTORIZZATO

Per individuare il più vicino centro servizi autorizzato, visitare il sito <http://it.ryobitools.eu/header/service-and-support/service-agents>.

NL RYOBI® GARANTIEVOORWAARDEN

Naast de wettelijke rechten die voortvloeien uit de aankoop, wordt dit product gedekt door een garantie, zoals hieronder staat vermeld.

1. De garantietermijn voor consumenten bedraagt 24 maanden en gaat in op de datum waarop het product is gekocht. Deze datum moet worden gedocumenteerd met een factuur of een ander aankoopbewijs. Het product is uitsluitend ontworpen en bedoeld voor persoonlijk gebruik door consumenten. Er wordt dus geen garantie gegeven voor professioneel of commercieel gebruik.
2. Voor een deel van ons aanbod van elektrische gereedschappen (AC/DC) is het mogelijk om de garantietermijn te verlengen over de boven beschreven termijn, met behulp van de website www.ryobitools.eu. De gereedschappen die in aanmerking komen voor de verlenging van de garantietermijn wordt duidelijk weergegeven in winkels en/of verpakkingen en staat beschreven in de productdocumentatie. De eindgebruiker moet zijn/haar nieuw gekochte gereedschappen binnen 30 dagen na aankoop online registreren. De eindgebruiker kan zich registreren voor de verlengde garantietermijn als zijn woonland staat vermeld op het online registratieformulier waar deze optie geldig is. Bovendien moeten eindgebruikers toestemming geven voor de opslag van de gegevens die online ingevuld moeten worden en moeten ze de algemene voorwaarden accepteren. Het ontvangstbewijs van de registratie, dat per e-mail wordt verzonden en de oorspronkelijke factuur met de aankoopdatum vormt het bewijs van de verlengde garantietermijn.
3. De garantie dekt tijdens de garantietermijn alle gebreken van het product vanwege defecten in vakmanschap of materiaal op de aankoopdatum. De garantie is beperkt tot reparatie en/of vervanging en bevat geen andere verplichtingen, waaronder maar niet beperkt tot incidentele of gevolgschade. De garantie is niet geldig als het product is misbruikt, in strijd met de gebruiksaanwijzing wordt gebruikt of onjuist is aangesloten. Deze garantie geldt niet voor:
 - alle schade aan het product die het gevolg is van onjuist onderhoud
 - elk product dat is veranderd of aangepast
 - elk product waar de oorspronkelijke identificatie (handelsmerk, serienummer) is beschadigd, gewijzigd of verwijderd
 - alle schade die is veroorzaakt door het niet opvolgen van de gebruiksaanwijzing
 - elk niet-CE-product
 - elk product waar een poging tot reparatie is gedaan door een niet-erkende professional of zonder voorafgaande toestemming door Technronic Industries.
 - elk product dat is verbonden met een verkeerde voeding (amperage, spanning, frequentie)
 - alle schade die is veroorzaakt door externe invloeden (chemisch, fysisch, schokken) of vreemde stoffen
 - normale slijtage van reserveonderdelen
 - ongepast gebruik, overbelasting van het gereedschap
 - gebruik van niet-goedgekeurde accessoires of onderdelen
 - gereedschapsaccessoires die bij het gereedschap worden geleverd of afzonderlijk zijn aangeschaft. Zulke uitzonderingen bevatten, maar niet beperkt tot schroevendraaierbits, boorbits, slijpschijven, schuurpapier en zagen, laterale geleiding
 - Componenten (onderdelen en accessoires) die onderhevig zijn aan natuurlijke slijtage, waaronder maar niet beperkt tot service- en onderhoudsets, koolstofborstels, lagers, boorkoppen, SDS boorbitbevestigingen of ontvangers, stroom snoeren, hulpgrepen, transporttassen, schuurplateaus, stofzakken, stofafvoerbuisen, vilttringen, pennen en veren van slagmoersleutels, etc.
4. Voor onderhoud moet het product worden verzonden of gebracht naar een erkend servicestation van RYOBI die voor elk land staat vermeld in de volgende lijst met adressen voor servicestations. In sommige landen zal uw lokale RYOBI-dealer het product verzenden naar de RYOBI-serviceorganisatie. Wanneer u het product naar een servicestation van RYOBI verzendt, moet het product veilig worden verpakt zonder enige gevaarlijke inhoud, zoals benzine, met het adres van de afzender en vergezeld van een korte beschrijving van het defect.
5. Een reparatie/vervanging die onder deze garantie valt is gratis. Het vormt geen verlenging of een nieuwe start van de garantietermijn. Verwisselde onderdelen of gereedschappen worden ons eigendom. In sommige landen moeten de verzendkosten door de afzender worden betaald. Uw wettelijke rechten die voortvloeien uit de aankoop van het gereedschap blijven onaangetast.
6. Deze garantie is geldig in de Europese Gemeenschap, Zwitserland, Island, Noorwegen, Liechtenstein, Turkije en Rusland. Buiten deze gebieden moet u contact opnemen met uw erkende RYOBI-dealer om vast te stellen of er een andere garantie van toepassing is.

GEAUTORISEERD ONDERHOUDSCENTRUM

Om een geautoriseerd onderhoudscentrum in uw buurt te vinden, surf u naar <http://nl.ryobitools.eu/header/service-and-support/service-agents>.

PT CONDIÇÕES DE APLICAÇÃO DA GARANTIA RYOBI®

Para além de quaisquer direitos previstos por lei resultantes da compra, este produto está coberto por uma garantia conforme descrição abaixo.

1. O período da garantia é de 24 meses para consumidores particulares e inicia-se na data de compra do produto. Esta data tem de ser documentada por uma factura ou por outra prova de compra. O produto foi concebido para e destina-se apenas a consumidores particulares e uso privado. Assim, não é dada garantia em caso de utilização por profissionais ou uso comercial.
2. Para uma parte da gama de ferramentas eléctricas (AC/DC) existe a possibilidade de prolongamento do período da garantia para além do período descrito acima, mediante registo no Web site www.ryobitools.eu. A elegibilidade das ferramentas para prolongamento do período da garantia é claramente visível nas lojas e/ou nas embalagens e está contida na documentação do produto. O utilizador final tem de fazer o registo online das suas ferramentas recém-adquiridas no prazo de 30 dias após a data de compra. O utilizador final pode fazer o registo para prolongamento da garantia no seu país de residência, desde que esteja listado no formulário de registo online e para os casos em que esta opção seja válida. Para além disso, os utilizadores finais têm de autorizar o armazenamento dos dados cujo preenchimento lhes for solicitado online e têm de aceitar os termos e as condições. O recibo de confirmação do registo é enviado por e-mail e, em conjunto com a factura original ostentando a data de compra, servirá de prova do prolongamento da garantia.
3. A garantia cobre todos os defeitos do produto durante o período da garantia devidos a defeitos de fabrico ou de material à data da compra. A garantia está limitada à reparação e/ou substituição e não inclui quaisquer outras obrigações, incluindo mas não se limitando a, perdas complementares ou indirectas. A garantia não é válida se o produto tiver sido utilizado incorrectamente, utilizado de forma contrária ao Manual de Instruções ou se as respectivas ligações tiverem sido feitas incorrectamente. Esta garantia não se aplica ao seguinte:
 - quaisquer danos ao produto que sejam resultado de manutenção incorrecta
 - qualquer produto que tenha sido alterado ou modificado
 - qualquer produto cujas marcações de identificação de origem (marca comercial, número de série) tiverem sido apagadas, alteradas ou retiradas
 - quaisquer danos causados pelo incumprimento do Manual de Instruções
 - qualquer produto que não seja da Comunidade Europeia
 - qualquer produto ao qual tenha sido feita, ou tentada fazer, uma reparação por outra pessoa que não um profissional habilitado ou sem autorização prévia da Techtronic Industries.
 - qualquer produto ligado a uma fonte de alimentação eléctrica incorrecta (Amperes, Voltagem e Frequência)
 - qualquer dano causado por influências externas (químicas, físicas, impactos) ou substâncias estranhas
 - desgaste e degradação normal de sobresselentes
 - utilização incorrecta, sobrecarga da ferramenta
 - utilização de acessórios ou peças não aprovados
 - acessórios para ferramentas eléctricas fornecidos com a ferramenta ou comprados em separado. Estas exclusões incluem mas não se limitam a, pontas de aparafusadora, brocas, discos abrasivos, papel de lixa e lâminas, guia lateral
 - Componentes (peças e acessórios) sujeitos a desgaste e degradação natural, incluindo mas não se limitando a, Kits de Assistência e Manutenção, escovas de carbono, rolamentos, bucha, acessórios ou recepções de brocas SDS, cabos eléctricos, peças auxiliares, estojos de transporte, placas de lixagem, sacos de poeiras, tubos de saída de poeiras, anilhas de feltro, pinos e molas da aparafusadora de impacto, etc.
4. Para assistência, o produto tem de ser enviado para, ou apresentado em, um posto de assistência autorizado RYOBI, conforme listado para cada país na lista de moradas de postos de assistência seguinte. Nalguns países, o seu concessionário RYOBI local encarrega-se de enviar o produto para a organização de assistência RYOBI. Quando enviar um produto para um posto de assistência RYOBI, o produto deve ser embalado de forma segura, sem conter nenhuns conteúdos perigosos (por exemplo, gasolina), marcado com o endereço do remetente e acompanhado por uma breve descrição da avaria.
5. Uma reparação/substituição ao abrigo desta garantia é gratuita. Não constitui um prolongamento a, nem um novo início de, o período da garantia. As peças ou ferramentas substituídas tornam-se propriedade nossa. Nalguns países, o remetente terá de pagar os custos de entrega ou a remessa postal. Os seus direitos previstos por lei resultantes da compra da ferramenta mantêm-se inalterados
6. Esta garantia é válida na Comunidade Europeia, Suíça, Islândia, Noruega, Liechtenstein, Turquia e Rússia. Fora destas áreas, entre em contacto com o seu concessionário autorizado RYOBI para determinar se existe outra garantia aplicável.

CENTRO DE ASSISTÊNCIA AUTORIZADO

Para encontrar um centro de assistência autorizado próximo de si, visite <http://pt.ryobitools.eu/header/service-and-support/service-agents>.

DA RYOBI® BETINGELSER FOR GARANTI

Udover lovbestemte rettigheder, som resulterer af købet, er dette produkt dækket af en garanti, som anført herunder.

1. Garantiperioden er 24 måneder for forbrugere og begynder på den dato, som produktet blev købt. Denne dato skal dokumenteres af en faktura eller andet bevis for køb. Produktet er udelukkende designet og dedikeret til forbrugere og privat brug. Så der ydes ingen garanti i tilfælde af professionel eller kommerciel brug.
2. Der er en mulighed for at forlænge garantiperioden for en del af udvalget af elværktøj (AC/DC), hen over den ovenfor beskrevne periode vha. registrering på hjemmesiden www.ryobitools.eu. Berettigelse af værktøjet til forlængelse af garantiperioden er tydeligt vist i butikker og/eller på emballage/og indeholdt i produktokumentationen. Slutbrugerens skal registrere hans/hendes nyligt indkøbte værktøj online indenfor 30 dage efter købsdatoen. Slutbrugerens kan registrere sig for den forlængede garanti i sit land, hvis han/hun er opført på den online registreringsformular, hvor denne mulighed er gyldig. Derudover skal slutbrugere give deres samtykke til at opbevare data, som er påkrævet at indtaste online, og de er nødt til at acceptere vilkår og betingelser. Registreringsbekræftelseskvitteringen, som sendes ud på e-mail, og den originale faktura, som viser købsdatoen, vil fungere som bevis for den forlængede garanti.
3. Garantien dækker alle defekter, som et produkt måtte have i løbet af garantiperioden, og som skyldes produktionsfejl eller materialfejl på købsdatoen. Garantien er begrænset til reparation og/eller udsiftning og inkluderer ikke andre forpligtelser, inklusiv men ikke begrænset til tilfældige skader eller følgeskader. Garantien er ugyldig, hvis produktet er blevet misbrugt, brugt uden at overholde vejledningen, eller det er blevet forkert tilsluttet. Denne garanti gælder ikke:
 - Beskadigelse af produktet, som er et resultat af uegnet vedligeholdelse
 - Et produkt der er blevet ændret eller modificeret
 - Et produkt hvor de originale identifikationsmærkninger (varemærke, serienummer) er blevet ødelagt, ændret eller fjernet
 - Enhver beskadigelse forårsaget af manglende overholdelse af vejledningen
 - Ethvert ikke CE-produkt
 - Ethvert produkt som er blevet forsøgt repareret af en ukvalificeret professionel eller uden tidligere autorisation af Techtronic Industries.
 - Ethvert produkt som er tilsluttet uegnet strømforsyning (ampere, spænding, frekvens)
 - Enhver skade forårsaget af ekstern påvirkning (kemisk, fysisk, chok) eller fremmedelementer
 - Normal slid på reservedele
 - Uegnet brug, overbelastning af værktøjet
 - Brug af ikke-godkendt tilbehør eller dele
 - Elværktøjstilbehør som leveres med værktøjet eller købes separat. Sådanne undertagelser inkluderer men er ikke begrænset til skruetrækkerbiter, bor, bits, silbeskiver, sandpapir og klinger, sideslyr
 - Komponenter (dele og tilbehør) som er udsat for naturligt slid og sæde, inklusiv men ikke begrænset til Service- og vedligeholdelsessæt, kulbørster, lejer, bøsninger, påsætning eller modtagelse af SDS-bor, El ledning, hjælpéhåndtag, transporttaske, sandplade, støvpose, støvdugstødningslange, filtskiver, nåle og fjedre slagngøle etc.
4. For eftersyn skal produktet sendes til eller præsenteres for en RYOBI-autoriseret service værksted, som er oplyst for hvert land i den følgende liste over service værksted adresser. I nogle lande påtager din lokale RYOBI-forhandler sig ansvaret for at sende produktet til RYOBI-serviceorganisationen. Når et produkt sendes til en RYOBI-service værksted, skal det pakkes sikkert ind uden noget farligt indhold som benzin, mærkes og af sædernes adresse og med en kort beskrivelse af fejlen.
5. En reparation/erstatning under denne garanti er gratis. Den udgør ikke forlængelse eller en ny start på garantiperioden. Udekslede dele eller værktøjer bliver vores ejendom. I nogle lande skal leveringsgiffter eller porto betales af afsenderen. Dine lovbestemte rettigheder i forbindelse med købet forbliver uanfægtede
6. Denne garanti gælder i EU, Schweiz, Island, Norge, Liechtenstein, Tyrkiet og Rusland. Udenfor disse områder bedes du kontakte din autoriserede RYOBI-forhandler for at afgøre, om en anden garanti gælder.

AUTORISEREDE SERVICEVÆRKSTEDER

Find nærmeste autoriserede serviceværksted på <http://dk.ryobitools.eu/header/service-and-support/service-agents>.

SV RYOBI® ANVÄNDNINGSVILLKOR FÖR GARANTI

Förutom eventuella lagstadgade rättigheter som uppstår genom köpet, täcks den här produkten av en garanti som anges nedan.

- Garantiperioden är 24 månader för konsumenter och börjar gälla från det datum då produkten köptes. Detta datum måste dokumenteras på en faktura eller annat köpbevis. Produkten är utformad och avsedd för konsumenter och privat bruk. Därmed tillhandahålls ingen garanti vid yrkesmässigt eller kommersiellt bruk.
- Det finns möjlighet att förlänga garantiperioden för en del av utbudet för elverktyg (AC/DC) under den period som anges ovan genom att använda registreringen på webbplatsen www.ryobitools.eu. De verktyg som är berättigade till en förlängning av garantiperioden visas tydligt i butiker och/eller på förpackningen/och anges i produktdokumentationen. Slut användaren behöver registrera hans/hennes nyförvärvade verktyg online inom 30 dagar från köpdatumet. Slut användaren kan registrera sig för den förlängda garantin i det land där han/hon bor om landet finns angivet i registreringsformuläret online och där detta alternativ är giltigt. Dessutom måste slut användaren ge sitt medgivande till lagring av data vilket krävs vid registrering online samt acceptera villkoren. Bekräftelsekvittot för registreringen som skickas ut via e-post och originalfakturan som visar köpdatumet kommer att gälla som bevis för den förlängda garantin.
- Garantin täcker alla produktdefekter under garantiperioden som beror på brister i utförande eller material vid köpdatumet. Garantin är begränsad gällande reparation och/eller utbyte och inkluderar inte några skyldigheter inklusive men inte begränsat till oförutsedda skador eller foljdskador. Garantin är inte giltig om produkten har missbrukats, använts i stift med bruksanvisningen eller inte anslutits på rätt sätt. Denna garanti täcker inte:
 - eventuella skador på produkten som uppstått till följd av felaktigt underhåll
 - produkter som har ändrats eller modifierats
 - produkter där ursprungliga identifieringsmärkningarna (varumärke, serienummer) har målats över, ändrats eller tagits bort
 - eventuella skador som uppstått till följd av att bruksanvisningen inte efterföljts
 - alla icke CE-produkter
 - eventuella produkter som har försökts repareras av en icke-kvalificerad yrkesman eller utan föregående medgivande från Techtronich Industries.
 - eventuella produkter som anslutits till felaktigt strömförsörjning (ampere, volt, frekvens)
 - eventuella skador som uppstått till följd av yttre påverkan (kemisk, fysisk, stötar) eller främmande ämnen
 - normalt slitage av reservdelar
 - olämplig användning, överbelastning av verktyget
 - användningen av icke-godkända tillbehör eller delar
 - tillbehör till elverktyg som medföljde verktyget eller köpts separat. Sådana undantag inkluderar men är inte begränsat till skruvsjelsbits, borbitts, slipskivor, sandpapper, blad och sidoskena
 - Komponenter (delar och tillbehör) är föremål för naturligt slitage, inklusive men inte begränsat till service- och underhållsatsar, kolborstar, kullager, chuck, tillbehör eller tillhörande SDS-borritt, strömsladd, hjälphandtag, transportväska, stiplatta, dammsäse, dammtubslåsör, filterbrick, stift och fjädrar till mutterdragare osv.
- Vid service måste produkten skickas eller uppvisas för en RYOBI- auktoriserad servicestation som står angiven för varje land i följande adresslista över servicestationer. I vissa länder tar din lokala RYOBI- återförsäljare på sig ansvaret att skicka produkten till RYOBI- serviceorganisationen. När en produkt skickas till en RYOBI-servicestation, ska produkten paketeras säkert utan något förligt innehåll såsom bensin, markeras med avsändarens adress samt en kort beskrivning av felet.
- En reparation/ett utbyte under denna garanti är kostnadsfri. Det utgör inte en förlängning eller förnyelse av garantiperioden. Utbyta delar eller verktyg blir vår egendom. I vissa länder måste leveranskostnader eller porto betalas av avsändaren. Dina lagstadgade rättigheter som härrör från köpet av verktyget förblir opåverkade
- Denna garanti är giltig i Europeiska gemenskapen: Schweiz, Island, Norge, Liechtenstein, Turkiet och Ryssland. Utanför dessa länder, kontakta din auktoriserade RYOBI-återförsäljare för att avgöra om en annan garanti gäller.

AUKTORISERAT SERVICECENTER

Du hittar närmaste auktoriserade servicecenter genom att gå till <http://se.ryobitools.eu/header/service-and-support/service-agents>.

FI RYOBI® TAKUUN SOVELTAMISEHDOT

Tällä tuotteella on oston luomien lakisääteisten oikeuksien ohella alla mainittu mukainen takuu.

- Takuun kesto on kuluttajille 24 kuukautta ja takuuaika alkaa tuotteen ostohetkestä. Tämän päivämäärän tulee lukea laskussa tai muussa ostotositteessa. Tuote on suunniteltu ja tarkoitettu vain kuluttajien ja yksityiseen käyttöön. Takuu ei siis kata ammatti- eikä kaupallista käyttöä.
- Joidenkin sähkötyökalujen (AC/DC) takuun kesto on mahdollista laajentaa yllä mainittua kestoa pidemmäksi verkkoystävösten www.ryobitools.eu rekisteröinnin kautta. Työkalujen kepoisuus takuuajaksi laajennukseen näkyy selkeästi myymälöissä ja/tai pakkauksissa ja/tai tämä tieto sisältyy tuotedokumentaationa. Loppukäyttäjän täytyy rekisteröidä vasta hankittu työkalu internetissä 30 päivän kuluessa ostopäivämäärästä. Loppukäyttäjä voi rekisteröidä laajennettua takuun kotimaassaan, jos se on luetteluna online-rekisteröintilomakkeessa, jossa mainitaan, missä tämä vaihtoehto on voimassa. Loppukäyttäjien täytyy lisäksi hyväksyä tietojen tallennus, jotka heidän täytyy antaa online-tilassa sekä ehdot. Rekisteröinnin vahvistuskuitti, joka lähetetään sähköpostitse, ja alkuperäinen ostopäivämäärän ilmaiseva lasku toimivat laajennettua takuun tosittena.
- Takuu kattaa kaikki tuotteen kestoajana tulevat viat, joiden aiheuttajina ovat tuotteessa ostopäiväna olleet valmistus- tai materiaaliviat. Takuu on rajoitettu korjaukseen ja/tai vaihtoon eikä se sisällä mitään muita velvoitteita mukaan lukien satunnais- ja seuranaisvahinkoja, mutta rajoittumatta niihin. Takuu ei päde, jos tuotetta on käytetty väärin, käyttöohjeeseen vastaisesti tai jos se on liitetty virheellisesti. Tämä takuu ei kata:
 - virheellisesti huollostajalta johtuvia vaurioita
 - muunnettua tai muutettua tuotetta
 - tuotetta, jonka alkuperäiset tunnistemerkinnät (tavaramerkki, sarjanumero) on turmeltu, muutettu tai poistettu
 - tämän käyttöoppaan laiminlyönnistä johtuvia vaurioita
 - ei-CE-tuotetta
 - tuotetta, jota on yrittänyt korjata epäpätevä ammattilainen tai joka on korjattu ilman Techtronich Industriesin ennakkolupa.
 - tuotetta, joka on liitetty virheelliseen teholahteeseen (ampeirit, jännite, taajuus)
 - ulkoisten vaikutusten (kemiallinen, fyysinen, iskut) tai vieraiden aineiden aiheuttamaa vauriota
 - normaaleja kuluvia varaosia
 - virheellistä käyttöä, työkalun ylikuormitusta
 - ei-hyväksytyjen tarvikkeiden tai osien käyttöä
 - sähkötyökalun tarvikkeita, jotka on toimitettu työkalun mukana tai ostettu erikseen. Poissuljettuja osia ovat ruuvauksiterät, poranterät, hiomalaikat, hiokkappaperi ja terät, sivuohjain, näihin kuitteinaan rajoittumatta
 - Luonnollisesti kuluvia komponentteja (osia tai tarvikkeita), joihin sisältyvät huolto- ja kunnossapitosest, hiiliharjat, laakerit, terästäkät, SDS-porian kiinnitin tai istukka, virtajohto, apukahva, kuljetuskotelo, hiomalaikka, pölypussi, pölynpoistoputki, huopatuftit, iskuruuvantimen pulkit ja jouset yms. näihin kuitteinaan rajoittumatta.
- Tuote on lähetettävä huollettavaksi valituttuun RYOBI-huoltoon tai näyteltävä siellä. Niiden osoitteet kussakin maassa löytyvät seuraavasta luettelosta. Joissakin maissa paikallinen RYOBI-jällemyyjä huolehtii tuotteen lähetyksestä RYOBI-huolto-organisaatioon. Kun tuote lähetetään RYOBI-huoltoon, se täytyy pakata hyvin ilman vaarallisia aineita, kuten polttoainetta, ja pakkaukseen täytyy merkitä lähettäjän nimi sekä vian lyhyt kuvaus.
- Takuun kattama korjaus/vaihto on maksuton. Se ei tarkoita takuuajan laajennusta tai alkamista alusta. Vaihdetut osat tai työkalut siirtyvät valmistajan omistukseen. Joissakin maissa lähettäjän täytyy maksaa lähetyskustannukset tai postikulut. Työkalun oston luomat lakisääteiset oikeudet pysyvät koskemattomina
- Tämä takuu on voimassa Euroopan yhteisössä, Sveitsissä, Islannissa, Norjassa, Liechtensteinissä, Turkissa ja Venäjällä. Ota näiden alueiden ulkopuolelta yhteyttä omaan valituttuun RYOBI-jällemyyjään ja selvitä, onko jotain muuta takuuta.

VALTUUTETTU HUOLTO

Voit etsiä lähimmän valituttuun huoltoon sivulta <http://fi.ryobitools.eu/header/service-and-support/service-agents>.

NO RYOBI® GARANTIBETINGELSER

I tillegg til eventuelle lovbestemte rettigheter som følger av kjøpet, er dette produktet dekket av en garanti som angitt nedenfor.

1. Garantiperioden er 24 måneder for konsumenter og gjelder fra den datoen som produktet ble kjøpt. Denne datoen skal dokumenteres med en faktura eller annet kjøpsbevis. Produktet er designet og beregnet kun til konsument- og privat bruk. Så det gis ingen garanti ved profesjonell eller kommersiell bruk.
2. For en del av utvalget av elektriske verktøy (AC/DC) er det muligst til å utvide garantiperioden i den perioden som er beskrevet ovenfor ved bruk av registreringer på nettsidene www.ryobitools.eu. Kvalifisering av verktøyene for en utvidelse av garantiperioden er tydelig vist i butikker og/eller på pakningen / og finnes innen produktdokumentasjonen. Slutbrukeren må registrere sine nylig skaffede verktøy online innen 30 dager etter kjøpsdato. Slutbrukeren kan registrere seg for den utvidede garantien i sitt land hvis det er opplyst på online registreringsskjemaet der dette alternativet er gyldig. Videre må slutbrukere gi sitt samtykke til oppbevaring av dataene som kreves for å gå online, og de må godta vilkår og betingelser. Registreringsbekreftelsen, som sendes ut e-post, og den originale fakturaen som viser kjøpsdato, vil tjene som bevis for den utvidede garantien.
3. Garantien dekker alle defekter i produktet under garantiperioden på grunn av defekter i utførelse eller materiale på kjøpsdato. Garantien er begrenset til å reparere og/eller erstatte og inkluderer ikke noen andre forpliktelser, inkludert, men ikke begrenset til, tilfældige eller følgesmessige skader. Garantien er ikke gyldig hvis produktet har blitt misbrukt, brukt på annen måte enn det som beskrives i bruksanvisningen eller er koblet til på feil måte. Denne garantien gjelder ikke for:
 - enhver skade på produktet som er resultat av utlukkende vedlikehold
 - ethvert produkt som har blitt endret eller modifisert
 - ethvert produkt der de originale identifiseringsmerkene (varemerke, serienummer) har blitt uleselig, er endret eller fjernet
 - enhver skade som forårsakes av ikke-overholdelse av instruksjonshåndboken
 - ethvert ikke-CE-produkt
 - ethvert produkt som har blitt forsøkt reparert eller av en ikke-kvalifisert fagperson eller uten tidligere autorisasjon fra Technonic Industries.
 - ethvert produkt tilkoblet feil strømforsyning (ampere, spenning, frekvens)
 - enhver skade som er forårsaket av eksterne påvirkninger (kjemiske, fysiske, støt) eller fremmede stoffer
 - normal slitasje og slitereservedeler
 - feil bruk, overbelastning av verktøyet
 - bruk av ikke-godkjente tilbehør eller deler
 - Elektrisk verktøytilbehør levert med verktøyet eller kjøpt separat. Slike ekskluderinger, inkludert, men ikke begrenset til skrutrekkerbits, drillbits, slipedisker, sandpapper og blader, laterale foring
 - Komponenter (deler og tilbehør) som er utsatt for naturlig slitasje, inkludert, men ikke begrenset til service- og vedlikeholdssett, karbonbørster, lagre, chuck, SDS-borrbifeste eller -mottak, stråmledning, hjelpehåndtak, transportbæreevne, sandingsplate, støvpose, støvutslippsrør, filtpakninger, støtnøkkelplinner og fjær, osv.
4. For service må produktet sendes eller fremlegges for en RYOBI- autorisert servicestasjon opplyst for hvert land i den følgende listen over servicestasjonsadresser. I noen land sender den lokale RYOBI- forhandleren produktet til RYOBI serviceorganisasjonen. Ved å sende et produkt til en RYOBI servicestasjon skal produktet være sikkert pakket uten noe farlig innhold, slik som bensin, merket med senderens adresse og fulgt av en kort beskrivelse av feilen.
5. En reparasjon/erstatning under denne garantien er gratis. Den utgjør ingen fortløpelse eller en ny start av garantiperioden. Utskiftede deler eller verktøy blir vår eiendom. I noen land vil leveringskostnader eller fraktering måtte betales av senderen. Dine lovbestemte rettigheter som oppstår fra kjøp av verktøyet forblir uberørt.
6. Denne garantien er gyldig i EU, Sveits, Island, Norge, Liechtenstein, Tyrkia og Russland. Utenfor disse områdene ta kontakt med din autoriserte RYOBI-forhandler om en annen garanti gjelder.

AUTORISERT SERVICECENTER

For å finne et autorisert servicecenter i nærheten, gå til <http://no.ryobitools.eu/header/service-and-support/service-agents>.

RU УСЛОВИЯ ПРИМЕНЕНИЯ ГАРАНТИИ НА ПРОДУКЦИЮ RYOBI®

Помимо законных прав, возникающих при покупке, данное изделие покрывается гарантией в соответствии с приведенными ниже пунктами.

1. Гарантийный период для покупателя составляет 24 месяца с даты покупки изделия. Дата покупки должна быть подтверждена полностью заполненным гарантийным талоном и чеком о покупке. Данное изделие предназначено только для частного использования покупателем. Поэтому гарантия не распространяется на использование в профессиональных или коммерческих целях.
2. Предусмотрена возможность продления для части изделий линейки электроинструментов (AC/DC) гарантийного периода с помощью регистрации на сайте www.ryobitools.eu. Право инструмента на продление гарантийного периода четко указано в магазинах и / или на упаковке / и содержится в сопутствующей инструменту документации. Конечный пользователь должен зарегистрировать свой приобретенный инструмент в течение 30 дней с даты покупки. Конечный пользователь может зарегистрировать свой инструмент на продление гарантии в стране своего проживания, если она указана в форме онлайн-регистрации. Кроме того, конечный пользователь должен дать свое согласие на хранение данных, которые необходимо ввести в онлайн-форму и принять правила и условия. Подтверждение регистрации, которое вы получите по электронной почте, заполненный гарантийный талон и оригинальный чек, в котором указана дата покупки будут служить доказательством продленной гарантии.
3. Гарантия покрывает в течение гарантийного периода все дефекты качества или материала изделия на дату покупки. Гарантия ограничена ремонтом и / или заменой и не включает никакие другие обязательства, включая, но не ограничиваясь случайными или косвенными убытками. Гарантия становится недействительной, если изделие использовалось не по назначению, вопреки инструкциям, данным в Руководстве пользователя или было неправильно подключено. Настоящая гарантия не распространяется на:
 - любые повреждения изделия в результате неправильного технического обслуживания или недостаточного ухода за инструментом
 - любые изделия, подвергшиеся изменениям и модификации
 - любые изделия, оригинальные идентификационные отметки которого (торговая марка, серийный номер) были повреждены, изменены или удалены
 - любые повреждения, вызванные несоблюдением инструкций Руководства пользователя
 - любые изделия, не сертифицированные маркировкой "CE" для продажи в Европейском союзе
 - любые изделия, подвергшиеся попыткам ремонта неавторизованным работником или без предварительного утверждения компанией Technonic Industries.
 - любые изделия, подключенные к неправильному источнику питания (сила тока, напряжение, частота)
 - любые повреждения, вызванные внешними воздействиями (химические, физические, удары) или посторонними веществами естественного износ запасных частей
 - несоответствующее использование: перегрузка инструмента
 - использование неутвержденных аксессуаров и неоригинальных запасных частей
 - аксессуары электроинструментов, поставляемые с инструментом или приобретаемые отдельно. К этому списку относятся, но не исчерпывают его: сверла шуруповертов, дрелей, абразивные диски, наждачную бумагу, лезвия и боковые направляющие
 - компоненты (детали и аксессуары), подверженные естественному износу и разрыву, включая, но не ограничиваясь наборы для технического обслуживания, угольные щетки, подшипники, патроны, переходники SDS, кабели питания, дополнительные ручки, футляры для транспортировки, шлифовальные подшвы, пылесборники, трубки для отвода пыли, войлочные шайбы, штыри и пружины ударных ключей и др.
4. Для проведения технического обслуживания изделие следует направлять в авторизованные сервисные центры RYOBI, указанные для каждой страны в приведенном ниже списке адресов станций сервисного обслуживания. В некоторых странах местные дилеры RYOBI отправляют изделия в сервисные организации RYOBI. При отправке изделия в сервисный центр RYOBI изделие должно быть безопасно упаковано и не содержать никаких опасных веществ, таких как бензин, должен быть подписан адрес отправителя и сопровождаться кратким описанием неисправности.
5. Ремонт / замена проводится в рамках настоящей гарантии бесплатно. Он не продлевает гарантию и не начинает новый гарантийный период. Замененные детали и инструменты становятся нашей собственностью. В некоторых странах отправитель должен оплачивать стоимость отправки. Ваши законные права, возникшие при покупке инструмента, остаются неизменными
6. Данная гарантия действительна в Европейском Сообществе, Швейцарии, Испании, Норвегии, Лихтенштейне, Турции и России. Вне указанных территорий обращайтесь к своему авторизованному дилеру RYOBI, чтобы узнать, применяются ли условия каких-либо других гарантий.

УПОЛНОМОЧЕННЫЙ СЕРВИСНЫЙ ЦЕНТР

Чтобы найти ближайший уполномоченный сервисный центр, обратитесь к веб-сайту <http://ru.ryobitools.eu/header/service-and-support/service-agents>.

PL WARUNKI GWARANCJI RYOBI®

Opis praw ustawowych wynikających z zakupu produkt jest objęty gwarancją, której warunki podano poniżej.

- Okres gwarancyjny wynosi 24 miesiące dla konsumentów i rozpoczyna się w dniu zakupu produktu. Datę zakupu należy udokumentować fakturą lub innym dowodem zakupu. Produkt został zaprojektowany i jest przeznaczony do użytku konsumencijskiego i prywatnego. W związku z tym gwarancja nie obejmuje zastosowań profesjonalnych i komercyjnych.
- Istnieje możliwość wydłużenia okresu gwarancyjnego dla części asortymentu narzędzi ręcznych z napędem mechanicznym (AC/DC) poprzez zarejestrowanie produktu na stronie internetowej www.ryobitools.eu. Kwalifikowalność narzędzi do wydłużenia okresu gwarancyjnego jest wyraźnie określona w sklepach i/lub na opakowaniu oraz w dokumentacji produktu. Użytkownik końcowy musi zarejestrować nowo kupione narzędzia online w ciągu 30 dni od daty zakupu. Użytkownik końcowy może zarejestrować się w celu przedłużenia gwarancji w swoim kraju zamieszkania, jeżeli jest on wymieniony w formularzu rejestracji online, gdzie opcja ta obowiązuje. Ponadto użytkownicy końcowi muszą wyrazić zgodę na przechowywanie danych, wprowadzanych na stronie internetowej i zaakceptować regulamin. Dowodem wydłużenia gwarancji jest wysłane pocztą elektroniczną potwierdzenie rejestracji i oryginał faktury potwierdzającej datę zakupu.
- Gwarancja obejmuje wszystkie wady produktu ujawnione w okresie gwarancyjnym wynikające usterek wykonania lub materiału obecnego w dniu zakupu. Gwarancja jest ograniczona do naprawy i/lub wymiany i nie obejmuje żadnych innych zobowiązań, w tym między innymi odpowiedzialności za szkody przypadkowe lub wtórne. Gwarancja nie obowiązuje, jeżeli produkt był nieprawidłowo używany, używany niezgodnie z instrukcją lub nie był prawidłowo podłączony. Gwarancja nie obejmuje:
 - uszkodzenia produktu wynikającego z nieprawidłowej konserwacji,
 - produktu, który został zmieniony lub zmodyfikowany,
 - produktu, którego oryginalne oznaczenie (znak towarowy, numer seryjny) zostało zniszczone, zmienione lub usunięte,
 - jakichkolwiek uszkodzeń wynikających z nieprzestrzegania instrukcji,
 - jakiegokolwiek produktu bez certyfikatu CE,
 - jakiegokolwiek produktu, który próbowano naprawić z pomocą niewykwalifikowanej osoby lub bez uzyskania wcześniejszej zgody firmy Technonic Industries.
 - jakiegokolwiek produktu podłączonego nie nieprawidłowo źródła zasilania (nieprawidłowe nateżenie prądu, napięcie, częstotliwość),
 - jakichkolwiek uszkodzeń spowodowanych wpływem czynników zewnętrznych (chemicznych, fizycznych, dźwiękowych) lub substancji obcych,
 - normalnego zużycia części zamiennych,
 - nieprawidłowego użycia, przecięcia narzędzia
 - stosowania niezatwierdzonych akcesoriów lub części.
 - akcesoriów narzędzi ręcznych z napędem mechanicznym dostarczonych z narzędziami lub kupionych oddzielnie. Takie wyłączenia obejmują, między innymi, wymienne ostrza wkrętaka, wiertła, tarcze ciętne, papier ścierny i ostrza, prowadnicę boczną.
 - elementów (części i akcesoriów) podlegających naturalnemu zużyciu obejmujących, między innymi, zestawy do konserwacji i serwisu, szczotki węglowe, łożyska, uchwyty, przystawkę wiertła SDS, gniazdo, przewód zasilania, uchwyty pomocnicze, skrzynie transportowa, płytę szlifarską, worek pyłowy, rurę odprowadzania pyłu, podkładki filcowe, kolki i sprężyny klucza uderowego itp.
- W celu serwisowania produkt należy wystać lub okazać w autoryzowanym punkcie serwisowym RYOBI znajdującym się na przedstawionym poniżej wykazie punktów serwisowych w poszczególnych krajach. W niektórych krajach lokalny dystrybutor produktów RYOBI podejmuje się wysyłki produktu do centrum serwisowego RYOBI. W przypadku wysyłki do punktu serwisowego RYOBI produkt — pozbawiony jakiegokolwiek niebezpiecznych substancji, na przykład benzyny — należy bezpiecznie zapakować i dołączyć adres nadawcy oraz krótki opis usterek.
- Naprawa/wymiana w ramach niniejszej gwarancji jest bezpłatna. Nie stanowią jednak o przedłużeniu lub rozpoczęciu od nowa biegu okresu gwarancyjnego. Wymienione części lub narzędzia stają się naszą własnością. W przypadku niektórych krajów nadawca będzie musiał uregulować koszty dostawy lub opłaty pocztowe. Prawa ustawowe wynikające z zakupu narzędzia pozostają niezmienione.
- Niniejsza gwarancja obowiązuje w Unii Europejskiej, Szwajcarii, Islandii, Norwegii, Liechtensteinie, Turcji i Rosji. Poza tymi obszarami należy skontaktować się z autoryzowanym dostawcą produktów RYOBI i ustalić, czy obowiązuje inna gwarancja.

AUTORYZOWANY PUNKT SERWISOWY

Najbliższy autoryzowany punkt serwisowy można wyszukać w witrynie internetowej <http://pl.ryobitools.eu/header/service-and-support/service-agents>.

CS ZÁRUČNÍ PODMÍNKY RYOBI®

Kromě zákonných práv vyplývajících z koupě výrobku se na tento výrobek vztahuje také níže uvedené záruka.

- Záruční doba pro spotřebitele je 24 měsíců a začíná datem nákupu výrobku. Datum musí být zaznamenáno na faktuře nebo jiném dokladu o koupi. Tento výrobek je navržen a určen pouze pro soukromé účely spotřebitelů. Záruka se tedy nevztahuje na profesionální nebo komerční využití výrobku.
- U některých elektrických nástrojů (AC/DC) je možné záruční dobu prodloužit. K tomu je nutná registrace na stránkách www.ryobitools.eu. Možnost prodloužení záruční doby výrobků je jasno uvedena v prodejních, popř. na obalech nebo v dokumentech o výrobku. Koncový uživatel musí svůj nový nástroj zaregistrovat online do 30 dnů od data nákupu. Koncový uživatel se může k prodloužení záruční doby zaregistrovat v zemi trvalého pobytu, pokud je tato uvedena na internetovém registračním formuláři u výrobku, kde je tato možnost dostupná. Koncoví uživatelé musí dále souhlasit s uložením osobních údajů, která musí zadat na internetu, a přijmout obchodní podmínky. E-mail s potvrzením registrace a původní faktura s datem koupě poslouží jako důkaz o prodloužené záruce.
- Záruka se vztahuje na veškeré vady na výrobku v rámci záruční doby způsobené výrobními vadami nebo vadami materiálu v době koupě. Záruka je omezena na opravu, popřípadě výměnu a nezahrnuje žádné další povinnosti, včetně mimo jiné vedlejších či následných odškodnění. Záruka neplatí při použití výrobku k nevhodným účelům, v rozporu s uživatelskou příručkou nebo při nesprávném zapojení. Záruka se nevztahuje na:
 - veškeré škody na výrobku způsobené nesprávnou údržbou
 - veškeré produkty, které byly pozměněny nebo upraveny
 - veškeré produkty, které se pokusí identifikaci prvky (obchodní značka, sériové číslo) poničený, pozměněné nebo odstraněné
 - veškeré škody způsobené neodporovanými pokyny uživatelské příručky
 - veškeré produkty bez CE certifikace
 - veškeré produkty, které se pokusí opravit nekvalifikovaný odborník nebo opravy bez předchozího svolení společnosti Technonic Industries.
 - veškeré produkty zapojené do nesprávného elektrického zdroje (proud, napětí, frekvence)
 - veškeré škody způsobené externími vlivy (chemickými, fyzickými, nárazy) nebo cizími látkami
 - běžné opotřebování dílů
 - nevhodné použití, přetěžování nástroje
 - použití neschválených příslušenství nebo dílů
 - příslušenství k elektrickým nástrojům poskytnutých s nástrojem nebo zakoupených samostatně. Tyto výjimky se vztahují mimo jiné na sroubovací bity, vrtáky, brusné disky, brusný papír a cepele, postranní vodič lišty
 - komponenty (díly a příslušenství) podléhající přirozenému opotřebování, včetně mimo jiné servisních sad, karbonových kartáčů, ložisek, sklididla, SDS nástavce na vrtací bity, napájecího kabelu, pomocné rukojeti, přepravního pouzdra, brusné desky, prachového vaku, výfukové prachové trubice, pístových podložek, západek a pružin rázového utahováku atd.
- K provedení servisu musí být výrobek zaslán nebo předán do autorizovaného servisního centra společnosti RYOBI, jejichž adresy jsou uvedeny podle země v seznamu servisních center. V některých zemích za vás výrobek pošle servisní organizaci RYOBI sám prodejce výrobku této značky. Při zaslání výrobku do servisního centra RYOBI je potřeba výrobek bezpečně zabalit bez nebezpečného obsahu jako benzín, opatřit adresu odesílatele a připojit krátký popis závady.
- Oprava, popř. výměna v rámci této záruky je zdarma. Neznamená to prodloužení nebo začátek nové záruční lhůty. Vyměněné díly nebo nástroje přejdou do našeho vlastnictví. V některých zemích platí poštovné odesílatelem. Vaše zákonná práva vyplývající z koupě tohoto nástroje zůstávají nedotčena.
- Tato záruka platí v Evropském Společenství, Švýcarsku, Norsku, Lichtenštejnsku, Turecku, Rusku a na Islandu. Mimo tuto území kontaktujte autorizovaného prodejce značky RYOBI, který zjistí, zda se na výrobek vztahuje jiná záruka.

POVĚŘENÉ SERVISNÍ STŘEDISKO

Pro nalezení nejbližšího pověřeného servisního střediska navštivte <http://cz.ryobitools.eu/header/service-and-support/service-agents>.

HU A RYOBI® GARANCIA ALKALMAZÁSÁNAK FELTÉTELEI

A vásárlásból adódó törvényben rögzített jogok mellett a termékre az alábbi garancia vonatkozik.

1. A fogyasztói garancia tartama 24 hónap, mely a termék vásárlásának napjával kezdődik. Ezt a dátumot számlával vagy a vásárlást igazoló egyéb dokumentummal kell bizonyítani. A termék rendeltetése csak fogyasztói és magáncélú használat. Ezért professzionális vagy kereskedelmi használat esetén a garancia nem érvényes.
2. A szerszámgépek (egyenáramú/váltóáramú) egy részénél a garancia időtartama a www.ryobitools.eu webapon regisztrálva meghosszabbítható. Az áruházakban, a csomagolásban, illetve a termék dokumentációjában egyértelműen jelezve van, hogy az adott termék garanciája meghosszabbítható-e. A végfelhasználónak a vásárlás dátumától számított 30 napon belül regisztrálnia kell az újonnan vásárolt szerszámot. A végfelhasználó akkor regisztrálhat a kiterjesztett garanciára, ha az ország, ahol lakik, fel van sorolva az online regisztrációs úrlapon azon országok között, ahol választható ez az opció. Ezenkívül a végfelhasználónak bele kell egyeznie az online regisztrálás során szükséges adatok tárolásába, és el kell fogadnia a felhasználási feltételeket. A kiterjesztett garanciát a regisztráció beérkezésétől e-mailben küldött visszaigazolás és a vásárlás dátumát tartalmazó eredeti számla igazolja.
3. A garancia a termék vásárlásakor fennálló, a gyártás során keletkezett hibákra és anyaghibákra érvényes a garanciális időtartamon belül. A garancia csak a javításra/cserére korlátozódik, és nem terjed ki semmilyen egyéb kötelezettségre, nem kizárólagosan ideértve a véletlen vagy szándékos rongálást. A garancia nem érvényes, ha a termék nem megfelelően, a használati utasításban foglaltakkal ellentétben, illetve nem megfelelően csatlakoztatva használták. A garancia nem vonatkozik:
 - a terméket a nem megfelelő karbantartás következtében ért károsodásra - megváltoztatott vagy átalakított termékre
 - olyan termékre, melyen az eredeti azonosítókat (védjegy, sorozatszám) megrongálták, megváltoztatták vagy eltávolították
 - a használati utasítás be nem tartásából eredő kárra
 - CE jelöléssel nem rendelkező termékekre
 - olyan termékre, melyet nem képzett, illetve a Techtronic Industries által nem feljogosított szerelő javított
 - nem megfelelő (áramerősség, feszültség, frekvenciájú) áramforrásra csatlakoztatott termékre
 - külső (vegyi, fizikai, útés) hatásokból vagy idegen anyagokból eredő károkról
 - a cserélhető alkatrészek természetes kopására és elhasználódására
 - a szerszám helytelen használatára, túlterhelésére
 - nem jóváhagyott tartozékok és alkatrészek használatára
 - A szerszámmal adott vagy külön megvásárolt tartozékokra. Ilyenek például (de nem kizárólag) a csavarhúzófejek, fúrószárak, csiszolókorongok, csiszolópapír, kések, oldalirányú terelők.
 - A természetes kopásnak, elhasználódásnak kitett alkatrészek és kiegészítők, például (de nem kizárólag) szerviz- és karbantartókészletek, szénkefék, csapagyk, tokmány, SDS fúrószár csatlakozója, tápkábel, segédgöngyölty, szállítók, csiszolólap, porzsák, porlevelőt cső, ficáláték, ütőműves csavarbehajtó gép csapszege és rugója stb.
4. A terméket javításra el kell vinni egy meghatalmazott RYOBI szervizbe; ezeket az egyes országokhoz a következőkben találja. Egyes országokban a helyi RYOBI kereskedő vállalja a termék elszállítását a RYOBI szervizbe. A terméket veszélyes tartalom, például benzín nélkül csomagolva, a feladó címét feltüntetve, a hiba rövid leírásával együtt küldje el a RYOBI szervizbe.
5. A jelen garancia hatálya alatt végezett javítás, illetve csere ingyenes. Nem jelenti a garanciális időtartam újraindulását. A kicserélt alkatrészek és szerszámok a mi tulajdonunkba kerülnek. Egyes országokban a szállítási vagy postázási költségét a feladó viseli. A vevőnek a szerszám megvásárlásából adódó törvényes jogai nem változnak.
6. Jelen garancia az Európai Közösségben, Svájcban, Izlandon, Norvégiában, Liechtensteinben, Törökországban és Oroszországban érvényes. E területeken kívül kérdezze meg a RYOBI forgalmazót, hogy milyen garancia van érvényben.

HIVATALOS SZERVIZKÖZPONT

A legközelebbi hivatalos szervizközpont megtalálásához látogasson el a <http://hu.ryobitools.eu/header/service-and-support/service-agents>.

RO CONDIȚII DE APLICARE A GARANȚIEI PENTRU PRODUSELE RYOBI®

În plus față de condițiile statutare rezultate din achiziționarea acestui produs, acesta este acoperit de garanția stipulată mai jos.

1. Perioada de garanție este de 24 de luni pentru consumatori și începe de la data achiziționării produsului. Data de începere a garanției trebuie demonstrată cu o factură sau altă dovadă a cumpărării produsului. Produsul este destinat și conceput doar pentru utilizare în scopuri personale. Din acest motiv, nu se oferă garanție pentru utilizarea sa în scop profesional sau comercial.
2. Există posibilitatea de extindere a perioadei de garanție pentru gama de unelte electrice (de CA/CC) peste perioada stipulată mai sus prin înscrierea produsului pe [website-ul www.ryobitools.eu](http://www.ryobitools.eu). Eligibilitatea pentru perioada de extindere a garanției este afișată în mod clar în magazinele de vânzare și/sau pe ambalaj sau este inclusă în documentația livrată împreună cu produsul. Utilizatorul final este obligat să-și înregistreze produsul online în termen de maxim 30 de zile de la achiziția acestuia. Utilizatorul final poate înregistra produsul pentru garanția extinsă oferită în țara sa de rezidență dacă aceasta este listată în formularul de înregistrare online și dacă această opțiune este validă. În plus, utilizatorul final trebuie să-și dea acordul pentru stocarea datelor personale solicitate la înregistrare online și trebuie să accepte termenii și condițiile. Mesajul de confirmare a înregistrării, trimis prin e-mail și factura originală cu data achiziției vor dovedi perioada de garanție extinsă.
3. Garanția acoperă toate defecțiunile produsului survenite în perioada de garanție datorate defectelor de execuție sau materialelor folosite, începând cu data achiziției acestuia. Garanția este limitată la reparare și/sau înlocuire și nu include alte obligații, inclusiv, dar fără a se limita la daune accidentale sau rezultate pe cale de consecință. Garanția își pierde valabilitatea dacă produsul este utilizat necorespunzător, utilizat neconform cu instrucțiunile de utilizare din manualul cu instrucțiuni sau conectat incorect. Garanția nu se aplică în cazuri:
 - oricărei defecțiuni survenite în urma întreținerii necorespunzătoare a produsului
 - oricărui produs alterat sau modificat
 - oricărui produs la care inscripțiile cu datele de identificare (marca comercială, numărul de serie) au fost sterse, modificate sau îndepărtate
 - oricărei defecțiuni datorate neconformării cu instrucțiunile din manualul de utilizare
 - oricărui produs necertificat CE
 - oricărui produs asupra căruia au fost efectuate tentative de reparare de către personal necalificat sau fără autorizație prealabilă din partea Techtronic Industries.
 - oricărui produs conectat la o sursă de alimentare necorespunzătoare (curent, tensiune, frecvență)
 - oricăror defecțiuni datorate unor influențe externe (chimice, fizice, șocuri) sau substanțe străine
 - uzurii și fisurării normale a pieselor de rezervă
 - utilizării neadevurate, suprasolicitanți uneltei
 - utilizării de piese și accesorii neaprobate
 - accesoriilor pentru unelțile furnizate odată cu aceasta sau achiziționate separat. Aceste excluderi se aplică, dar fără a se limita la următoarele: burghie, bije de șurubelniță, discuri abrazive, hârtie abrazivă și lame de tăiere, ghidaje laterale
 - Componentele (piese și accesorii) supuse uzurii normale, care includ, fără a se limita la, kituri de întreținere și service, pordon de carbune, rulmenți, mandrină, adaptor pentru burghie SDS, cordoan de alimentare, mâner auxiliare, cutie de transport, placă pentru șlefuit, sac pentru praf, tub pentru evacuarea prafului, discuri de pâslă, adaptatoare și resorturi pentru cheile de strângere prin vibrare, etc.
4. Pentru efectuarea reparațiilor, produsul trebuie trimis sau adus la un centru de reparații autorizat RYOBI din lista următoare de centre de reparații prezentate pentru fiecare țară. În anumite țări, reprezentatul local RYOBI va trimite produsul spre reparare la sediul central de reparații RYOBI. Atunci când trimiteți produsul spre reparare la un centru de reparații RYOBI, acesta trebuie ambalat în siguranță, fără conținut periculos (cum ar fi benzina), marcat cu adresa expeditorului și însoțit de o scurtă descriere a defectului.
5. Repararea/inlocuirea în perioada de garanție este gratuită. Aceasta nu este însoțită de o prelungire sau o reințiere a perioadei de garanție. Piesele sau uneltele schimbate devin proprietatea dvs. În anumite țări, taxele de expediție sau poștale vor fi suportate de expeditor. Drepturile dvs. statutare rezultate din achiziția produsului rămân neschimbate.
6. Această garanție este valabilă în Comunitatea Europeană, Elveția, Islanda, Norvegia, Liechtenstein, Turcia și Rusia. În afara acestor zone, vă rugăm să contactați reprezentantul dvs. local RYOBI pentru a determina dacă se aplică alt tip de garanție.

CENTRU DE SERVICE AUTORIZAT

Pentru a găsi un centru de service autorizat lângă dvs., vizitați <http://en.ryobitools.eu/header/service-and-support/service-agents>.

LV RYOBI® GARANTIJAS PIEMĒROŠANAS NOSACĪJUMI

Papildin jebkādām likumiskajām tiesībām, kuras rodas, veicot pirkumu, izstrādājums tiek nodrošināts ar tālāk tekstā noteikto garantiju.

1. Garantijas periods patērētājiem ir 24 mēneši, tā atskaitē tiek sākta no datuma, kurā veikta izstrādājuma iegāde. Šim datumam jābūt dokumentētām rēķinā vai citā pirkumu apliecināšā dokumentā. Izstrādājums ir radīts un paredzēts tikai patērētāja privātai lietošanai. Saisītība ar iepriekšminēto, garantija netiek nodrošināta profesionālās vai komerciālās lietošanas gadījumā.
2. Pastāv iespēja pagarināt daļas no elektroinstrumentu klāsta (Mainstrāvas/akumulatoru) garantiju ilgāk par iepriekš minēto periodu, izmantojot reģistrāciju interneta vietnē www.ryobitools.eu. Instrumenti, kas pakļauti garantijas perioda pagarināšanai, tiek skaidri apzīmēti veikalos un/vai uz iepakojuma un izstrādājumu komplektējošajā dokumentācijā. Gala lietotājam nepieciešams reģistrēt tā iegādāto jauno instrumentu 30 dienu laikā no pirkuma datuma. Gala lietotājs var reģistrēties pagarinātajai garantijai savā mītnes valstī, ja tā minēta tiešsaistes reģistrācijas veidlapā, kurā šī iespēja ir aktīva. Bez tam, gala lietotājam ir jāsniedz piekrišana tiešsaistes ievadīšanai nepieciešamo datu glabāšanai un jāpiekrīt noteikumiem un nosacījumiem. Reģistrācijas apstiprinājums, kas tiek nosūtīts, izmantojot e-pastu, un rēķina oriģināls, kurā norādīts iegādes datums, kalpo kā pagarinātās garantijas apstiprinājums.
3. Garantija attiecas uz visiem izstrādājuma defektiem garantijas periodā, kas saistīti ar ražošanas vai materiālu defektiem no pirkuma datuma. Šī garantija tiek ierobežota ar remontu un/vai nomaiņu un neietver jebkādas citas saistības, tajā skaitā, bet ne tikai, cēloņsakarīgos vai saistītos bojājumus. Garantija nav spēkā, ja izstrādājums ir nepareizi lietots, izmantots pretēji norādēd lietošanas rokasgrāmātā vai bijis nepareizi pieslēgts. Šī garantija netiek attiecināta uz:
 - jebkādiem izstrādājuma bojājumiem, kas radušies nepareizas uzturēšanas rezultātā
 - jebkuru izstrādājumu, kas ticis pārveidots vai mainīts
 - jebkuru izstrādājumu, kura oriģinālās identifikācijas (preču zīme, sērijas numurs) marķējums ir ticis nodarīts, mainīts vai noņemts
 - jebkādiem bojājumiem, kuri radušies neievērojot norādes lietošanas rokasgrāmātā
 - jebkādam izstrādājumam bez CE sertifikācijas
 - jebkura izstrādājuma, kura remontu mēģinājis veikt nekvalificēts personāls vai bez Techntron Industries iepriekšējas autorizācijas.
 - jebkura izstrādājuma, kurš bijis pieslēgts neatbilstoši parametru (strāvas, sprieguma, frekvences) sprieguma avotam
 - jebkuriem bojājumiem, kuri radušies ārējās iedarbības (ķīmiskas, fiziskas, triecieni) vai vielu ietekmē
 - detaļu normāla lietošanas nodiluma rezultātā
 - nepareizas lietošanas vai instrumentu pārslodzes rezultātā
 - neapstrīnātu detaļu vai aprīkojuma lietošanas rezultātā
 - elektroinstrumentu aksesuāriem, kas atrodas instrumenta komplektācijā vai ir iegādāti atsevišķi. Šis izņēmums attiecināms uz, bet neaprobežojoties ar, skrūvgrīžu uzgaļiem, urbjiem, abrazīvajiem diskjiem, smilšpapīru un asmeņiem, sānu vadotnēm
 - komponentiem (daļām un aksesuāriem), kas pakļauti normālam nodilumam, ieskaitot, bet neaprobežojoties ar Servisa un apkopju komplekti, oglekļa sukuks, gultņi, patrona, SDS urbju uztvērējiem vai uzlika, elektrības vads, papildus rukturis, transportēšanas un pārnēsāšanas kaste, slīpmašīnas plāksne, putekļu maisis, putekļu izvadsīšanas caurule, papildkņģi, triecienatslēgu tapas un atsperes, u.t.t.
4. Servisa nodrošināšanai, izstrādājums ir jānodod pilnvarotā RYOBI servisa centrā, kas norādīts katrai valstij tālāk minētajā servisa centra adresē sarakstā. Dažās valstīs jūsu vietējais RYOBI izplatītājs uzņemas izstrādājuma nosūtīšanu uz RYOBI servisa organizāciju. Nosūtīt izstrādājumu uz RYOBI servisa centru, izstrādājuma jābūt droši iepakotam, tas nedrīkst saturēt bīstamas vielas kā degvielu, sūtiņumam jābūt marķētam ar sūtiņa adresi un īsu kļūmes aprakstu.
5. Remonts/nomaīņa šīs garantijas ietvaros ir bezmaksas. Tas nerada garantijas perioda pagarināšanu vai jaunu garantiju. Nomainītās daļas vai instrumentu kļūst par mūsu īpašumu. Dažās valstīs piegādes vai pasta izmaksas būs jāapmaksā sūtiņam. Jūsu likumiskās tiesības, kas nodibinās, iegādājoties instrumentu, paliek nemainīgas
6. Šī garantija ir spēkā Eiropas Kopienā, Šveicē, Islandē, Norvēģijā, Līhtenšteinā, Turcijā un Krievijā. Ārpus šīm teritorijām, lūdzu, sazinieties ar jūsu pilnvaroto RYOBI izplatītāju, lai noteiktu, vai ir piemērojama cita garantija.

AUTORIZĒTS APKALPOŠANAS CENTRS

Lai atrastu tuvāko autorizēto apkalpošanas centru, apmeklējiet <http://en.ryobitools.eu/header/service-and-support/service-agents>.

LT RYOBI® GARANTIJOS TAIKĀMO SĀLYGOS

Papildin bet kokias įstatymuose numatytas perkant atsiřandancias teises, šiam įrenginiui taikoma toliau nurodyta garantija.

1. Vartotojas suteikiama 24 mėnesių trukmės garantija nuo įrenginio įsigijimo datos. Ši data turi būti nurodyta sąskaitoje faktūroje ar kitame pirkimą įrodančiame dokumente. Šis įrenginys skirtas tik vartotojų rinkai ir asmeniniam naudojimui. Todėl garantija netaikoma, jei įrenginys naudojamas profesinėms ar komercinėms reikmėms.
2. Įsigijus tam tikrus elektrinius įrenginius (A/C/D), suteikiama galimybė pratesti garantiją, kad ji galiotų ilgiau, nei nurodyta pirmiau, naudojantis registracija interneto svetainėje www.ryobitools.eu. Ar galima pratesti įrenginio garantiją laikotarpi, aiškiai nurodoma parduotuvsė ir (arba) ant įrenginio pakutės, ir (arba) įrenginio dokumentuose. Galutinis naudotojas turi užregistruoti savo naujai įsigytą įrenginį per 30 dienu nuo įsigijimo datos. Galutinis naudotojas gali registruotis išplėstinei garantijai savo gyvenamojoje šalyje, jei ji nurodyta internetinėje registracijos formoje, kurioje siūloma tokia galimybė. Be to, galutiniai naudotojai turi sutikti su duomenų, kuriuos reikia įvesti internete, saugojimu ir svetainės naudojimo sąlygomis. Kaip išplėstinės garantijos įrodymas naudojamas registracijos patvirtinimo kvitas, atsiunčiamas el. paštu, ir originali sąskaita faktūra, kurioje nurodyta įsigijimo data.
3. Ši garantija apima visus garantinius laikotarpiu aptiktus įrenginio trūkumus, atsiradusius dėl gamybos arba medžiaginių defektų nuo įsigijimo datos. Ši garantija ribojama remontu ir (arba) pakeitimu, ji neapima jokių kitų įsipareigojimų, įskaitant (bet tuo neapsiribojant) šalutinius arba antrinius nuostolius. Garantija anuliuojama, jei įrenginys buvo naudojamas netinkamai, naudojamas ne pagal naudojimo instrukciją arba netinkamai prijungtas. Ši garantija netaikoma:
 - jokiai įrenginiui padarytai žalai, kurią lėmė netinkama techninė priežiūra;
 - jokiai įrenginiui, kuris buvo keičiamas ar modifikuojamas;
 - jokiai įrenginiui, kurio originalūs identifikavimo ženklai (prekės ženklas, serijos numeris) buvo sugadinti, pakeisti arba pašalinai;
 - jokiai žalai, kurią lėmė naudojimo instrukcijos nesilaikymas;
 - jokiems CE ženklu nepažymėtiems įrenginiams;
 - jokiai įrenginiui, kurį bandė remontuoti nekvalifikuoti asmenys arba kuris buvo remontouojamas be „Techntron Industries“ leidimo;
 - jokiai įrenginiui, kuris buvo prijungtas prie netinkamo maitinimo tinklo (netinkamos srovės, įtampos, dažnio);
 - jokiai žalai, kurią lėmė išorinis poveikis (cheminis, fizinis, smūgiai) arba pašalinės medžiagos;
 - dėvimosioms dalims;
 - netinkamam naudojimui, įrenginio perkrovai;
 - nepatvirtintų priedų arba dalių naudojimui.
- su įrenginiu pateiktiems arba atskirai įsigytiems elektrinio įrenginio priedams. Šios išimties apima (tuo neapsiribojant) atsuktųjų antgalius, gražtų antgalius, šlifavimo diskus, švitinį popierių ir geležtes, šoninį kreiptuvą;
- komponentams (dalims ir priedams), kurie natūraliai dėvimi, įskaitant (bet tuo neapsiribojant) įprastines ir technines priežiūros rūkinius, anglius šepetėlius, guolius, laikiklį, SDS gražtų antgalių priedą arba lizdą, maitinimo kabelį, pagalbinių rankena, nešiojimo dėklą, šlifavimo diską, maišelį dulkmės, dulkių ištraukimo vamzdelį, fetro poveržles, smūginio veržliarakčio kaišius ir spyruokles ir pan.
4. Prieikuis atlikti priežiūros darbus, įrenginį reikia siųsti arba atvežti RYOBI įgaliotajam priežiūros centrui, nurodytam kiekvienos šalies priežiūros centrų adresų sąrašė. Kai kuriose šalyse vietinis RYOBI atstovas siunčia įrenginį RYOBI priežiūros organizacijai. Siunčiant įrenginį RYOBI priežiūros centrui, reikia saugiai jį supakuoti pašalinant visas pavojingas medžiagas, pvz., benzina, nurodyti ant pakutės siuntėjo adresą ir pridėti trumpą gedimo aprašymą.
5. Pagal šią garantiją remontas / keitimas atliekami nemokamai. Tokie veiksmai neliekami garantijos pratešimu arba naujo garantinio laikotarpio pradžia. Dalsys arba įrenginiai, kuriuos pakeitėme, tampa mūsų nuosavybe. Kai kuriose šalyse pristatymo ir pašto išlaidas turi padengti siuntėjas. Įstatymuose numatytos jūsų teisės, atsiřandancios perkant įrenginį, lieka nepakeistos
6. Ši garantija galioja Europos bendrijoje, Šveicarijoje, Islandijoje, Norvegijoje, Lichtenšteine, Turkiijoje ir Rusijoje. Jei gyvenate ne šiose šalyse, kreipkitės į įgaliotąjį RYOBI atstovą ir sužinokite, ar jums taikoma kita garantija.

ĮGALIOTAS TECHINIS PRIEŽIŪROS CENTRAS

Jei norite surasti įgaliotą techninės priežiūros centrą netoli Jūsų, apsilankykite interneto svetainėje <http://en.ryobitools.eu/header/service-and-support/service-agents>.

ET RYOBI® GARANTIIINGIMUSED

Lisaks toote ostust tulenevatele seadusjärgsetele õigustele, kehtib tootele ka alltoodud garantiaga.

1. Tarbijatele on garantiiaeg 24 kuud ja algab sellel kuupäeval, mil toode osteti. Selle kuupäeva tõestuseks on vaja arvet või mõnda teist tõendit ostu sooritamise kohta. Toode on mõeldud eratarbijatele ainult isiklikuks kasutamiseks. Seega ei kehti garantii ostu kasutamisel kutsetegevuses või kaubanduslikel eesmärkidel.
2. Teatud osale elektrilistele (vahelduvvoolu/alisvoolu) tööriistadele on võimalik pikendada eespool toodud garantiiaega, kasutades toote registreerimist veebilehel www.ryobitools.eu. Teave tööriista võimaliku pikendatavate garantiiaega kohta on selgelt esile toodud poodides ja/või pakendis / ning see sisaldab toote dokumentatsiooni. Lõpptarbijaja peab registreerima oma uued tööriistad interneti teel 30 päeva jooksul pärast ostupäeva. Lõppkasutaja võib registreerida pikendatud garantiiaega saamise oma elukohariigis, kui veebis olevas registreerimisvormis on see valik lubatav. Lisaks peavad kasutajad andma oma nõusoleku veebis nõutud lisetatavate andmete säilitamiseks ning nad peavad nõustuma tingimustega. E-posti teel saadetak registreerimise kinnitus ja arve originaal, kus on näha ostu sooritamise kuupäev, on pikendatud garantiiaega tõestuseks.
3. Garantii katab kõik defektid toote garantiiaja jooksul, kui ostu kuupäeval ilmnevad talitlus- või materjalivead. Garantii piirub toote remondi ja/või väljavahetamisega ning ei sisalda muid kohustusi, muu hulgas ettenägematuid või kaudseid kahjusid. Garantii ei kehti, kui toodet ei ole kasutatud sihtotstarbelselt või kooskõlas kasutusjuhendiga või see on valesti ühendatud. Garantii ei kehti järgmistel põhjustel:
 - toode on kahjustatud vale hoolitsemise tõttu
 - toodet on muudetud
 - toote algaparased identifitseerimismärgised (kaubamärk, seerianumber) on rikutud, muudetud või eemaldatud
 - kahju on tekkinud kasutusjuhendi mittejärgimisest
 - tootel puudub CE-märgis
 - toodet on püüdnud remontida vastavat kvalifikatsiooni mitte omav isik või ilma firma Technronic Industries eelneva loata.
 - toode on ühendatud valesse toiteallikasse (voolutugevus, pinge, sagedus)
 - välismõjude (keemilised, füüsilised, elektrilöögid) või võrkehade tekitatud kahju
 - tavapärane kulumine ja katkised varuosad
 - ebaõige kasutamine, tööriista ülekoormamine
 - heakskiitmata tarvikute või osade kasutamine
 - koos tööriistaga saadud või eraldi ostetud elektriliste tööriistade tarvikud. Need erandid puudutavad muu hulgas kruvikeeraja otsakuid, puuriterasid, liivketaid, lihvpaperit ja -taldu, külgjuhikuid
 - Komponentid (osad ja tarvikud), mida iseloomustab kulumine ja vananemine, muu hulgas remondi- ja hoolituskomplektid, süsinikharjad, laagrid, padrunid, SDS-puuriterade tarvikud, teltsejuhe, lisakäepide, transpordikott, lihvplaat, tolmuokott, tolmua väljalasketoru, vidist seibid, löökmitrivõtme võllid ja vedrud jne.
4. Hoolituseks peab toote saama või viima RYOBI volitatud teenindusse, mille aadressi leiab järgnevast teeninduspunkti nimekirjast vastava riigi alt. Mõnedes riikides võtab kohalik RYOBI edasimüüja enda kanda kohustuse saata toode RYOBI teenindusorganisatsiooni. Toote saatmisel RYOBI teenindusse peab toode olema ohutult pakitud ja ei tohi sisaldada ohtlikke aineid (nt bensiini), kirjas peab olema saatja aadress ja lisatud vea lühikirjeldus.
5. Garantii alusel tehtavad remonditööd / asendamine on tasuta. See ei pikenda garantii kehtivusaega ega tähtsita uue garantiiaja algust. Väljavahetatud osad või tööriistad kuuluvad meile. Mõnedes riikides maksab kätetoimetamis- ja postikulud saatja. Teile jäävad kehtima tööriista ostust tulenevad seadusjärgsed õigused
6. See garantii kehtib Euroopa Ühenduse territooriumil, Šveitsis, Islandil, Norras, Liechtensteinis, Türgis ja Venemaal. Väljaspool neid piirkondi võtke ühendust volitatud RYOBI edasimüüjaga, et teha kindlaks kas kehtib mõni teine garantii.

VOLITATUD HOOLDUSKESKUS

Oma volitatud hoolituskeskuse leiate veebisaidilt <http://en.ryobitools.eu/header/service-and-support/service-agents>.

HR UVJETI PRIMJENE JAMSTVA TVRTKE RYOBI®

Osim svim zakonskim pravima koja proizlaze iz kupnje, ovaj je proizvod pokriven jamstvom kako je navedeno u nastavku.

1. Jamstveno razdoblje za potrošače traje 24 mjeseca i počinje s datumom na koji je proizvod kupljen. Taj datum mora se dokumentirati računom ili drugim dokazom o kupnji. Proizvod je konstruiran i namijenjen samo za privatnu upotrebu korisnika. Stoga se jamstvo ne daje u slučaju profesionalne ili komercijalne uporabe.
2. Postoji mogućnost da se za dio asortimana električnih alata pokretanih izmjeničnom strujom (AC/DC) proizvodi mogu navedeno jamstveno razdoblje putem registriranja na mrežnom mjestu www.ryobitools.eu. Uvjeti koje je potrebno zadovoljiti kako bi se produžilo jamstveno razdoblje jasno su istaknuti u prodavaonicama i / ili na pakiranju / i nalaze se unutar dokumentacije proizvođača. Krajnji korisnik mora registrirati svoje novo kupljene alate na mreži u roku od 30 dana od datuma kupnje. Krajnji korisnik može se registrirati za produženo jamstvo u svojoj zemlji boravišta ako se nalazi na popisu u mrežnom obrascu za registraciju gdje je ta opcija važeća. Nadalje, krajnji korisnici moraju dati svoj pristanak na pohranu podataka koji su potrebni za mrežni ulazak i moraju prihvatiti odredbe i uvjete. Potvrda o prijemu registracije, koja se šalje putem e-pošte, kao i originalni račun s vidljivim datumom kupnje poslužit će kao dokaz produženog jamstva.
3. Jamstvo pokriva sve nedostatke proizvoda tijekom jamstvenog razdoblja koji su nastali zbog neispravnosti prilikom izrade ili materijala s datumom kupnje. Jamstvo je ograničeno na popravak i/ili zamjenu i ne obuhvaća nikakve druge obveze, uključujući, ali ne ograničavajući se na sljedeće ili posljednje štete. Jamstvo ne vrijedi ako je proizvod bio zlorabljivan, korišten u suprotnosti s priručnikom s uputama ili ako je pogrešno spojen. Ovo jamstvo ne primjenjuje se na:
 - svaku štetu koja je na proizvodu nastala kao rezultat nepravilnog održavanja
 - svaki proizvod koji je promijenjen ili izmijenjen
 - svaki proizvod na kojem su izvorne identifikacijske oznake (žig, serijski broj) bile oštećene, izmijenjene ili uklonjene
 - svaku štetu prouzročenu nepridržavanjem priručnika s uputama
 - svaki proizvod koji nema oznaku CE
 - svaki proizvod koji je pokušao popraviti nekvalificirani profesionalac ili onaj koji je popravljivan bez prethodnog odobrenja tvrtke Technronic Industries.
 - svaki proizvod koji je spojen na neprikladan izvor električnog napajanja (neodgovarajuća amperaza, napon, frekvencija)
 - svaku štetu prouzročenu unutarnjim utjecajima (kemijskim, fizikalnim, udarima) ili stranim tvarima
 - normalno habanje i trošenje rezervnih dijelova
 - neodgovarajuću uporabu, preopterećenje alata
 - upotrebu neodobrene opreme ili isporučene s alatom ili kupljenu odvojeno. Takvi izuzetci uključuju ali nisu ograničeni na vrhove odvijaca, svrdla bušilice, abrazivne diske, brusni papir i noževe, bočnu vodilicu
 - Komponente (dijelovi i pribor) podložne prirodnom trošenju i habanju, što uključuje, ali nije ograničeno na komplecte za servisiranje i održavanje, ugljične četkice, ležajeve, steznu glavu, nastavak ili priključak za svrdla za SDS bušilicu, priključni kabel, pomoćnu ručku, transportne torbe, brusnu ploču, vreću za prašinu, ispušni cijev za prašinu, podloške od filca, udarni klijuč, zatici i opruge, itd.
4. Za potrebe servisiranja, proizvod se mora poslati ili odnijeti u ovlaštenu servisnu postaju tvrtke RYOBI navedenu na sljedećem popisu s adresama servisnih postaja u svakoj zemlji. U nekim zemljama, vaš lokalni RYOBI zastupnik obvezuje se da će poslati proizvod u servisnu organizaciju tvrtke RYOBI. Kada se proizvod šalje u neku servisnu postaju tvrtke RYOBI, proizvod se mora sigurno pakirati bez jednog od opasnih sadržaja kao što je benzin, na njemu mora pisati adresa pošiljatelja i mora biti popraćen kratkim opisom kvara.
5. Popravak / zamjena pod ovim jamstvom su besplatni. Oni ne predstavljaju produženje ili novi početak jamstvenog razdoblja. Zamijenjeni dijelovi ili alati postaju naše vlasništvo. U nekim državama troškove isporuke ili poštarinu mora platiti pošiljatelj. Vaša zakonska prava koja proizlaze iz kupnje alata ostaju nepromijenjena
6. Ovo jamstvo vrijedi u Europskoj uniji, Švicarskoj, Islandu, Norveškoj, Lihtenštajnu, Turskoj i Rusiji. Izvan tih područja vas molimo da se obratite svojem ovlaštenom zastupniku tvrtke RYOBI kako biste utvrdili primjenjive ili se drugo jamstvo.

OVLASŦENI SERVISNI CENTAR

Za pronalaženje ovlaštenog servisnog centra pred vas posjetite <http://en.ryobitools.eu/header/service-and-support/service-agents>.

SL POGOJI ZA VELJAVNOST GARANCIJE RYOBI®

Poleg morebitnih zakonsko določenih pravic, ki izvirajo iz nakupa, za ta izdelek velja spodaj navedena garancija.

- Garancijsko obdobje je za potrošnike 24 mesecev in začne teči z dnem nakupa izdelka. Ta datum mora biti dokumentiran z računom ali drugim dokazilom o nakupu. Izdelek je zasnovan in namenjen izključno za potrošniško zasebno uporabo. V primeru strokovne oziroma komercialne uporabe izdelka garancija ne velja.
- Obstaja možnost podaljšanja garancije na del naše ponudbe električnih orodij (AC/DC) prek obdobja garancije, opisane zgoraj, s pomočjo registracije na spletnem mestu www.ryobitools.eu website. Ustreznost orodij za podaljšanje garancijskega obdobja je jasno prikazana v trgovinah in/ali na embalaži oziroma je navedena v dokumentaciji izdelka. Končni uporabnik mora registrirati svoje novo orodje na spletu v 30 dneh po datumu nakupa. Končni uporabnik lahko registrira podaljšano garancijo v svoji državi veljaja, če je na obrazcu spletne registracije navedeno, da ta možnost velja za njegovo državo. Poleg tega morajo končni uporabniki podati svoje soglasje za shranjevanje podatkov, ki so potrebni za spletni dostop in morajo sprejeti pogoje in določila uporabe spletnega mesta. Potrdilo o registraciji, ki ga pošljemo prek e-pošte, in originalni račun, ki prikazuje datum nakupa, služita kot dokazilo o podaljšani garanciji.
- Garancija krije vse okvare izdelka, do katerih pride v garancijskem obdobju zaradi napak v izdelavi ali materialu, ki so bile prisotne ob datumu nakupa. Garancija je omejena na popravilo in/ali zamenjavo in ne vključuje nobenih drugih obveznosti, med drugim vključno z naključno ali posledično škodo. Garancija ne velja, če je bil izdelek napačno uporabljen, uporabljen v nasprotju z navodili iz priročnika za uporabo ali če ni bil pravilno povezan. Ta garancija ne velja za:
 - škodo na izdelku, ki je posledica neustreznega vzdrževanja
 - spremenjen ali prilagojen izdelek
 - izdelek, katerega originalna identifikacijska oznaka (blagovna znamka, serijska številka) je bil poškodovan/a, spremenjena ali odstranjena
 - škodo, ki je posledica neupoštevanja navodil iz priročnika za uporabo
 - izdelek, ki nima oznake CE
 - izdelek, ki ga je poskušal popraviti nekvalificiran strokovnjak ali ki je bil popravljen brez predhodne odobritve s strani družbe Techtron Industries.
 - izdelek, ki je bil povezan na neustrezno napajanje (amperška moč, napetost, frekvenca)
 - škodo, ki jo povzročijo zunanji vplivi (kemični, fizični, mehanski) ali tuje snovi
 - rezervne dele, ki so podvrženi običajni uporabi
 - neprimerno uporabo, preobremenitev orodja
 - uporabo neodobrenih dodatkov ali delov
 - Dodatno električno orodje, priloženo orodju ali kupljeno ločeno. Take izjeme so med drugim nastavki za izvijače, svedri, abrazivni diski, brusni papir in rezila, stranska vodila.
 - Komponente (sestavni in rezervni deli), ki so podvrženi običajni obrabi, med drugim vključno s kompleti za servisiranje in vzdrževanje, oglikovimi krtačkami, ležaji, vpenjali, svedrni priključki SDS ali sprejemnimi odprtini zanje, napajalnimi kablji, pomožnimi ročajmi, prenosnimi kovčki, brusnimi ploščami, vreckami za pračo, cevmi za izpuh prahu, tesnilni iz filca, iglami in vzmetni udarnega ključa itd.
- Za servisiranje morate izdelek poslati ali prinesiti v pooblaščen servisni center družbe RYOBI, ki je naveden za vsako državo na naslednjem seznamu naslovov servisnih centrov. V nekaterih državah se vaš lokalni posrednik družbe RYOBI obveže, da bo poslal izdelek na servis družbe RYOBI. Ko pošiljate izdelek v servisni center družbe RYOBI, mora biti izdelek varno zapakiran in ne sme vsebovati nobenih nevarnih snovi, kot je npr. bencin, opremljen pa mora biti z nastavom pošiljatelja in vsebovati kratak opis napake.
- Popravilo/zamenjava v skladu s to garancijo sta brezplačni storitvi. To pa ne predstavlja podaljšanja ali ponovnega začetka garancijskega obdobja. Zamenjani deli ali orodja postanejo naša last. V nekaterih državah stroške dostave ali poštnino plača pošiljatelj. Vaše zakonsko določene pravice, ki izvirajo iz nakupa orodja, ostajajo nespremenjene.
- Ta garancija velja v Evropski skupnosti, Švici, Islandiji, na Norveškem, v Lichtenštajnu, v Turčiji in Rusiji. Izven teh območij se obrnite na svojega pooblaščenega posrednika izdelkov RYOBI, dealer ki vam bo povedal, ali velja kakšna druga garancija.

POOBLAŠČEN SERVISNI CENTER

Pooblaščen servisni center blizu vas poiščite na <http://en.ryobitools.eu/header/service-and-support/service-agents>.

SK ZÁRUČNÉ PODMIENKY RYOBI®

Na tento výrobok sa okrem všetkých zákonných práv, vyplývajúcich z nákupu, vzťahuje záruka v nasledovnom znení.

- Záručná doba pre spotrebiteľa je 24 mesiacov a začína plynúť odo dňa, kedy bol výrobok zakúpený. Tento dátum musí byť doložený faktúrou alebo iným dokladom o zakúpení. Výrobok je navrhnutý na určenej pre spotrebiteľa a len na súkromné používanie. Preto sa záruka sa neposkytuje v prípade použitia na profesionálne a komerčné účely.
- V prípade elektrického náradia (na striedavý/jednosmerný prúd AC/DC), existuje možnosť predĺženia záručky dopyt oproti záručnej dobe, uvedenej vyššie, s využitím on-line registrácie na webovej stránke www.ryobitools.eu. Označenie na náradí o nároku na predĺženie záručnej doby je zreteľne uvedené v obchodoch a/alebo na obale a je uvedené v dokumentácii k výrobku. Koncový používateľ musí zaregistrovať svoje novozískané náradie on-line do 30 dní odo dňa nákupu. Koncový používateľ sa môže zaregistrovať na predĺženie záruky v krajine svojho bydliska, ak je v on-line registračnom formulári uvedená táto možnosť. Ďalej musia koncoví používatelia ešte dať svoj súhlas k uchovávaní údajov, ktoré je potrebné zadať on-line a musia súhlasiť s podmienkami. Potvrdenie o prijatí registrácie, ktorý je zasielané e-mailom a original faktúry, v ktorej je uvedený dátum nákupu, slúžia ako dôkaz o predĺženej záruke.
- Záruka sa vzťahuje na všetky poruchy výrobku v záručnej dobe, spôsobené chybami materiálu alebo spracovania k dátumu nákupu. Táto záruka je obmedzená na opravu alebo výmenu a nezahŕňa ďalšie povinnosti, vrátane, okrem iných, náhodné alebo následné škody. Táto záruka je neplatná, ak bol výrobok nesprávne používaný, bol používaný v rozpore s návodom na použitie alebo bol nesprávne zapojený. Táto záruka sa nevzťahuje na:
 - akékoľvek poškodenie výrobku, ktoré bolo spôsobené nesprávnou obsluhou
 - akýkoľvek výrobok, ktorý bol zmenený alebo upravený
 - akýkoľvek výrobok, na ktorom bolo poškodené, upravené alebo odstránené identifikačné označenie (ochranná známka, výrobné číslo)
 - akékoľvek škody, spôsobené nedodržaním návodu na obsluhu
 - akýkoľvek výrobok, ktorý neobsahuje označenie CE
 - akýkoľvek výrobok, ktorý sa pokúšal opraviť nekvalifikovaný odborník alebo bol opravovaný bez predchádzajúceho súhlasu so strany spoločnosti Techtron Industries.
 - akýkoľvek výrobok, pripojený k nesprávnemu napájaciemu zdroju (ampéry, napätie, frekvencia)
 - akékoľvek poškodenia, spôsobené vonkajšími vplyvmi (chemickými, fyzikálnymi, nárazmi) alebo cudzorodými látkami
 - bežné opotrebovanie náhradných dielov
 - nevhodné používanie, pretváranie nástroja
 - používanie neschváleného príslušenstva a dielov
 - príslušenstvo k elektrickému náradiu, dodávané spolu s náradím alebo zakúpené oddelene. Takéto vytúčenia sa vzťahujú, okrem iného, na nástroj skrutkovačov, vrtáky, brusné kotúče, brusný papier a čepele, bočné vodiace lišty
 - Súčiastky (diely a príslušenstvo), ktoré podliehajú prirodzenému opotrebeniu, okrem iného súpravy na servis a údržbu, uhliky, ložiská, skrutkovačdi, SDS vrtáka a príslušenstvo, príloh alebo príjmiarne, napájací kábel, pomocná rukoväť, prepravná skriňa, brusná doska, pracovné vrecko, výfuková trubica, pístené podložky, kolíky a pružiny na rázový utahovač atď.
- Na opravu musí byť výrobok odoslaný alebo doručený do autorizovaného servisného strediska RYOBI, uvedeného pre každú krajinu v nasledovnom zozname adries servisných stredísk. V niektorých krajinách miestny zástupca RYOBI preberá na seba záväzok zaslať tovar do servisnej organizácie RYOBI. Pri odosielaní výrobku do servisného strediska RYOBI je potrebné výrobok bezpečne zabaliť bez akékoľvek nebezpečného obsahu, ako je bencín, s vyznačením adresy odosielaťa, s krátkym popisom poruchy.
- Oprava/výmena je vrátane tejto záruky bezplatná. Neznamená to predĺženie záruky alebo spustenie novej záručnej doby. Vymenené diely alebo nástroje sa stávajú našim vlastníctvom. V niektorých krajinách náklady na odoslanie alebo poštovné musí zaplatiť odosielať. Vaše zákonné práva, vyplývajúce z nákupu náradia, zostávajú nedotknuté
- Táto záruka platí v Európskej únii, Švajčiarsku, Islande, Nórsku, Lichtenštajnsku, Turesku a Rusku. Ak sa nachádzate mimo týchto oblastí, obráťte sa na autorizovaného predajcu RYOBI na určenie, či sa dá uplatniť iná záruka.

AUTORIZOVANÉ SERVISNÉ CENTRUM

Ak chcete nájsť najbližšie autorizované servisné centrum, navštívte stránku <http://en.ryobitools.eu/header/service-and-support/service-agents>.

BG УСЛОВИЯ ЗА ВАЛИДНОСТ НА ГАРАНЦИЯТА НА RYOBI®

В допълнение към законоустановените права, произтичащи от покупката, този продукт е обхванат от гаранция, както е изложено по-долу.

- Гаранционният срок е 24 месеца за клиенти и започва да тече от деня на закупуване на продукта. Тази дата трябва да се докаже с фактура или друго доказателство за покупка. Продуктът е изработен и предназначен само за потребителско и лична употреба. Следователно не се дава гаранция в случай на използване от професионалисти или с търговска цел.
- Съществува възможност за удължаване на гаранционния срок за част от диапазона на гаранцията на електрически инструменти (AC/DC) след изчисленото на описания тук чрез регистрация на уеб сайта www.ryobitools.eu. В магазините и/или на опаковката или вътре в документацията на продукта е показано ясно дали инструментът отговаря на условията за таква удължаване на гаранционния срок. Крайният потребител трябва да регистрира своите новопридобити инструменти онлайн в рамките на 30 дни от датата на покупка. Крайният потребител може да се регистрира за удължена гаранция в държавата си на пребиваване, ако е посочена във формуляра за онлайн регистрация като място, където тази опция е валидна. Освен това крайните потребители трябва да дадат съгласието си за съхранение на данните, които са задължителни за полъвяне онлайн, и трябва да приемат общите условия. Полученото потвърждение за регистрация, изпратено по електронна поща, и оригиналната фактура, показваща датата на покупка, ще служат като доказателство за удължената гаранция.
- Гаранцията покрива всички дефекти на продукта по време на гаранционния срок, които се дължат на проблеми в изработката или материалите към момента на покупката. Гаранцията е ограничена до ремонт и/или замяна и не включва други задължения, включително, но не само, случайни или косвени щети. Гаранцията е невалидна, ако продуктът е използван неправилно или в противоречие с ръководството с инструкции, както и ако е свързан неправилно. Тази гаранция не важи за:
 - щети по продукта в резултат на неправилна профилактика
 - продукти, които са били изменени или модифицирани
 - продукт, при който оригиналните маркировки за идентификация (търговска марка, серийн номер) са изтрили, променени или премахнати
 - повреда, причинена от неспазване на ръководството с инструкции
 - продукт без CE маркировка
 - продукт, за който е направен опит за ремонт от невалифициран специалист или без предварително разрешение от Techtronic Industries.
 - продукт, свързан към неподходящо електрохранване (ампераж, волтаж, честота)
 - щети, причинени от външни влияния (химични, физични, удари) или чужди вещества
 - нормално износване на резервни част
 - неподходяща употреба, претоварване на инструмента
 - използване на неподобрени аксесоари или части

Аксесоарите за електрическия инструмент са предоставени с инструмента или се купуват отделно. Тези изключения включват, но не само, най-често за отвертка, свердела, абразивни дискове, шкурка и остриета, странични водач

 - Компоненти (части и аксесоари), подложени на естествено износване, включително, но не само, комплекти за обслужване и поддръжка, карбонови четки, лагер, патронник, приставка със сверделно SDS или приемо устройство, захравна кабел, сломателна ръкохватка, кутия за транспортиране, шлифовна пластина, торба за прах, торба за отвеждане на прах, филцова шабля, цифрове и пружини за винтоверти и др.
- За обслужване продуктът трябва да се изпрати или занесе на оторизиран сервиз на RYOBI, посочен за всяка държава в следния списък с адреси на сервиси. В някои държави местният търговец на RYOBI поема отговорността да изпрати продукта до сервизен център на RYOBI. При изпращане на продукт до сервиз на RYOBI той трябва да е опакован безопасно без опасо съдържание, напр. бензин, да е маркиран с адреса на подателя и придружен от кратко описание на повредата.
- Ремонтът/замяната по силата на тази гаранция са безплатни. Те не водят до удължаване или подновяване на гаранционния срок. Сменените части или инструменти стават наша собственост. В някои държави таксите за доставка или изпращане трябва да се платят от подателя. Законоустановените ви права, произтичащи от закупуването на инструмента, остават незаменни
- Тази гаранция е валидна в Европейската общност, Швейцария, Исландия, Норвегия, Лихтенщайн, Турция и Русия. Извън тези области се свържете с упълномощения търговец на RYOBI, за да се установи дали е приложима друга гаранция.

УПЪЛНОМОЩЕН СЕРВИЗЕН ЦЕНТЪР

За да намерите упълномощен сервизен център близо до вас, посетете <http://en.ryobitools.eu/header/service-and-support/service-agents>.

UK ГАРАНТИЙНИ УМОВИ ДЛЯ RYOBI®

Окрім загалом установлених законом прав, що стосуються покупки, цей пристрій покривається гарантією, що зазначено нижче.

- Гарантійний період для споживачів складає 24 місяці і починається з моменту придбання цього пристрою. Ця дата повинна бути задокументована у гарантійному талоні або чеку. Цей пристрій був розроблений і призначений тільки для споживачого та приватного використання. У разі професійного або комерційного використання цього пристрою, він втрачає гарантію.
- Існує можливість подовжити гарантійний період для частини лінійки електроінструментів (перемінного/постійного струму), понад період описаний вище за допомогою реєстрації на сайті www.ryobitools.eu. Пристрій, які мають право на подовження гарантійного періоду, мають чіткі позначки щодо цього в магазинах і / або на упаковці / та документації до пристрою. Кінцеві користувач повинен зареєструвати його/її новопридбаний пристрій онлайн протягом 30 днів з дати покупки. Кінцеві користувач може зареєструватися для подовження гарантійного періоду в своїй країні постійного перебування, якщо вона є доступною у відповідній опції онлайн форми реєстрації. Крім того, кінцеві користувач повинні дати свою згоду на зберігання даних, які необхідні для введення онлайн, а також вони повинні прийняти правила та умови. Отримання підтвердження реєстрації, яке відправляється на адресу електронної пошти, та оригінал гарантійного талона із зазначеною датою покупки буде слугувати доказом подовженої гарантії.
- Гарантія поширюється на всі дефекти пристрою протягом гарантійного терміну щодо недотримання стандартів виробництва або матеріалів на дату придбання. Гарантія обмежується ремонтом та/або заміною, та не включає в себе будь-яких інших зобов'язань, в тому числі, але не обмежена у разі випадкових та подальших пошкоджень. Гарантія не діє, якщо пристрій використовувався нелегальним чином, всупереч інструкції з експлуатації або був неправильно підключений до мережі. Дана гарантія не поширюється на:
 - продукти, що були пошкоджені у результаті неправильного технічного обслуговування;
 - пристрій, що були відомі змінені або модифіковані;
 - пристрій, оригінальне ідентифікаційне (товарний знак, серійний номер) маркування яких було пошкоджене, змінено або видалено;
 - будь-які пошкодження, заподіяні недотриманням інструкції з експлуатації;
 - пристрій, що не мають маркування CE;
 - пристрій, що були відремонтовані невалідованим фахівцем за відсутності попереднього дозволу від Techtronic Industries;
 - пристрій, підключені до невідповідного джерела живлення (сила току, напруження, частота);
 - будь-які пошкодження спричинені зовнішнім впливом (хімічним, фізичним, стрибком напруги) або сторонніми речовинами;
 - нормальну амортизацію запасних частин;
 - невідповідне використання, перевантаження пристрою;
 - використання невідтверджених запасних частин або аксесуарів;
 - прилада для електроінструменту, що постачається разом з пристроєм або купуються окремо. Такі винятки враховують але не є обмеженнями для наконечників викрток, свердел, абразивних дисків, наждачного паперу та лез, бичних напрямних
 - компоненти (частини та прилади) з урахуванням нормального зношування, враховуючи, але без обмеження на комплекти профілактики та технічного обслуговування, вузькі штиці, підшипники, патрони, кріплення або прийом SDS свердел, кабелі живлення, додаткові рукоятки, чохла для транспортування, шлифовальні пластини, мішки для збору пилу, трубки вилпопу, фетрові кільця, штирі і пружини гайковерти і т.д.
- Для обслуговування пристрій має бути відправлений або поданий до одного з авторизованих сервісних центрів RYOBI, які перелічені для кожної країни у наступному переліку адрес сервісних центрів. У деяких країнах місцевий дилер RYOBI зобов'язується придбати пристрій до сервісного центру RYOBI. При відправленні пристрою до сервісного центру RYOBI, пристрій має бути надійно упакований без будь-якого небезпечного вмісту, наприклад бензину, з позначеною адресою відправника та супроводжуватися коротким описом несправності.
- Ремонт і заміна відповідно до цієї гарантії здійснюються безкоштовно. Це не є основою для подовження або початку нового гарантійного періоду. Замінені частини або прилади переходять до власності компанії. У деяких країнах вартість доставки або поштові витрати повинні бути сплачені відправником. Загально встановлені права покупця на пристрій залишаються незмінними
- Ця гарантія діє в Європейському Союзі, Швейцарії, Ісландії, Норвегії, Лихтенштейні, Туреччині та Росії. За межами цих зон, будь ласка, зверніться до офіційного дилера RYOBI, щоб визначити, чи застосовується інша гарантія.

АВТОРИЗОВАНІ СЕРВІСНІ ЦЕНТРИ

Для отримання оновленого переліку авторизованих сервісних центрів, відвідайте <http://en.ryobitools.eu/header/service-and-support/service-agents>.

TR RYOBI® GARANTİ UYGULAMA KOŞULLARI

Alımdan kaynaklanan yasal haklara ek olarak, ürün aşağıda belirtilen garanti kapsamındadır.

1. Tüketiciler için 24 ay olan garanti süresi, ürünün satın alındığı tarihte başlar. Bu tarihin bir fatura ya da alım kanıtıyla belgelenmesi gerekir. Ürün sadece tüketim ve özel kullanım için geliştirilmiş ve adanmıştır. Bu nedenle, profesyonel ya da ticari kullanım halinde garanti kapsamı sağlanmaz.
2. Elektrikli el aletlerinin bir bölümü (AC/DC) için www.ryobitools.eu sayfasındaki kayıt işlemini kullanarak garantinin belirtilen süresinin ötesine uzatma imkanı mevcuttur. Aletlerin garanti süresinin uzatılmasına uygun olup olmadığı mağazalarda ve / veya ambalajda açıkça belirtilmiş olup, ürün dokümantasyonunda gösterilir. Son kullanıcıların yeni aldığı aletleri satın alma tarihini izleyen 30 gün içinde kaydetmesi gerekir. Son kullanıcı ikamet ettiği ülkede, bu seçeneğin geçerli olduğu çevrimiçi kayıt formunda belirtilmişse, uzatılmış garanti süresi için kayıt yapılabilir. Dahası, son kullanıcıların çevrimiçi giriş için gerekli verilerin kaydedilmesine izin vermek ve hüküm ve koşulları kabul etmelidir. E-posta ile gönderilen kayıt formu mabzu ve alım tarihini gösteren orijinal fatura uzatılmış garantinin kanıtı olarak değerlendirilir.
3. Garanti, ürünün alım tarihindeki işçilik ve malzeme kusurları nedeniyle garanti süresi içinde oluşacak bütün arızaları kapsar. Bu garanti onarım ve değiştirmeyle sınırlı olup, tesadüfî ya da dolaylı hasarlar da dahil, ancak bunlarla kısıtlı olmayan başka hiçbir taahhüdü kapsamaz. Garanti, ürünün kötü, kullanici kılavuzuna aykırı kullanılması ya da yanlış bağlanmış olması halinde geçerli değildir. Bu garanti aşağıdaki gibi kapsamaz:
 - üründe, yanlış bakımdan kaynaklanan herhangi bir hasar
 - değiştirilmiş ya da modifiye edilmiş herhangi bir ürün
 - orijinal tanıtım işaretleri (ticari markası, seri numarası) silinmiş, değiştirilmiş ya da kaldırılmış herhangi bir ürün
 - kullanma kılavuzuna uymamaktan kaynaklanmış herhangi bir hasar
 - herhangi bir AT dışı ürün
 - kalifiye olmayan personel tarafından ya da önceden Techtronic Industries onayı alınmadan onarılmış herhangi bir ürün.
 - uygunsuz güç kaynağına (ampere, voltaj, frekans) bağlanmış herhangi bir ürün
 - harici etkenlerden (kimyasal, fiziksel, darbe) veya yabancı cisimlerden kaynaklanan her türlü hasar
 - normal aşınır ve yıpranır aksam
 - uygunsuz kullanım, aletinin aşırı yüklenmesi
 - onaysız aksesuar veya parça kullanımı
 - Aletle birlikte sağlanmış ya da ayrıca alınmış elektrikli alet aksesuarları. Tornavida uçları, matkap uçları, aşındırıcı diskler, zımpara kağıdı ve bıçakları, yanıl kılavuz gibi aksamı içeren, ancak bunlarla sınırlı olmayan eklentiler
 - Servis ve Bakım kitiyle, kömür fırçaları, yataklar, kovanlar, SDS matkap ucu bağlantısı ya da yuvaları, güç kablosu, yedek tutamak, nakliye ve taşıma kutusu, kumlamla plakası, toz torbası, toz egzoz borusu, keçe rondelalar, Darbeli Tornavida Pim ve yayları vb. gibi parçaları kapsayan, ancak bunlarla sınırlı olmayan, aşınma ve yıpranmaya tabi bileşenler (aksam ve aksesuarlar).
4. Ürünün servis için her ülkede aşağıdaki servis istasyonları adres listesinde yer alan yetkili bir RYOBI servis istasyonuna gönderilmesi ya götürülmesi gereklidir. Bazı ülkelerde, yerel RYOBI distribütörleri ürünü RYOBI servise teşkilatına göndermeyi üstlenir. Bir ürün bir RYOBI servis istasyonuna gönderilirse, ürünün güvenli bir biçimde ambalajlanması, benzin gibi tehlikeli maddeler içermemesi, gönderenin adresini taşıması ve arızanın kısa bir açıklamasını içermesi gerekir.
5. Bu garanti kapsamında yapılacak onarım / değiştirilme ücretsizdir. Garanti süresinin uzatılması ya da yeniden başlatılması anlamına gelmez. Değiştirilmiş parçalar veya aletler bize ait olur. Bazı ülkelerde teslimat ücretleri veya posta giderlerinin gönderici tarafından ödemesi gerekir. Alımdan kaynaklanan yasal haklarınıza etkilenecez.
6. Bu garanti Avrupa Topluluğu, İsviçre, İzlanda, Norveç, Liechtenstein, Türkiye ve Rusya'da geçerlidir. Bu alanların dışında, başka bir garantinin geçerli olup olmadığını belirlemek için lütfen yetkili RYOBI distribütörünüzle iletişime geçin.

YETKİLİ SERVİS MERKEZİ

En yakın yetkili servis merkezini öğrenmek için <http://en.ryobitools.eu/header/service-and-support/> adresinde veya <http://en.ryobitools.eu/header/service-and-support/> adresinde bulunabilirsiniz.

EL ÖRÖPİ ΕΦΑΡΜΟΓΗΣ ΤΩΝ ΠΡΟΫΠΟΘΕΣΕΩΝ ΕΓΓΥΗΣΗΣ ΤΗΣ RYOBI®

Εκτός από τα νόμιμα δικαιώματα, τα οποία προκύπτουν από την αγορά, το προϊόν καλύπτεται από εγγύηση, λεπτομέρειες της οποίας ακολουθούν στη συνέχεια.

1. Η διάρκεια της εγγύησης για τους καταναλωτές είναι 24 μήνες και αρχίζει από την ημερομηνία αγοράς. Η ημερομηνία θα πρέπει να αναγράφεται στην αποδείξη ή σε άλλο αποδεικτικό αγοράς. Το προϊόν έχει σχεδιαστεί και προορίζεται αποκλειστικά για οικιακή χρήση από καταναλωτές. Συνεπώς, δεν παρέχεται εγγύηση σε περίπτωση επαγγελματικής ή εμπορικής χρήσης.
2. Υπάρχει η δυνατότητα επέκτασης της εγγύησης για ορισμένα ηλεκτρικά εργαλεία (AC/DC), πέραν του παραπάνω αναφερόμενου χρονικού διαστήματος, μέσω εγγραφής στο δικτυακό τόπο www.ryobitools.eu. Η επέκταση των εργαλείων με δυνατότητα επέκτασης της περιόδου εγγύησης αναγράφεται ρητά στα καταστήματα καλή επάνω στη συσκευασία, ενώ περιέχεται στην τεκμηρίωση του προϊόντος. Το τελικό χρήστη θα πρέπει να καταχωρίσει τα προσωπικά αποκτήθιστα εργαλεία online, εντός 30 ημερών από την ημερομηνία αγοράς. Ο τελικός χρήστης μπορεί να εγγραφεί για την επέκταση εγγύησης στη χώρα κατοικίας, εφόσον αυτή περιλαμβάνεται στο online έντυπο εγγραφής, εάν υπάρχει η δυνατότητα επέκτασης. Επιπλέον, οι τελικοί χρήστες θα πρέπει να παρέχουν τη συγκατάθεσή τους για την αποθήκευση των στοιχείων τους, τα οποία σφραγίζονται και καταχωρίζονται online, όπως και να αποθηκευθούν του όρους και τις προϋποθέσεις. Η αποδείξη επιβεβαίωσης της εγγραφής, η οποία αποστέλλεται μέσω email, και η πρωτότυπη αποδείξη αγοράς, η οποία αναγράφει την ημερομηνία αγοράς, αποτελούν αποδεικτικά της παρατεταμένης εγγύησης.
3. Η εγγύηση καλύπτει όλα τα ελαττώματα του προϊόντος, κατά τη διάρκεια της περιόδου εγγύησης, λόγω κατασκευαστικών ελαττωμάτων ή αστοχίας υλικού κατά την ημερομηνία αγοράς. Η εγγύηση περιλαμβάνει στην επισκευή και/ή την αντικατάσταση και δεν περιλαμβάνει καμία άλλη υπέρβαση, συμπεριλαμβανομένων, ενδεικτικά, συμπληρωματικών ή παρεπόμενων ζημιών. Η εγγύηση δεν ισχύει εφόσον, έχει σημειωθεί κακομεταχείριση του προϊόντος, δεν έχουν τηρηθεί οι οδηγίες του εγχειριδίου οδηγιών ή το προϊόν έχει συνδεθεί λανθασμένα. Η εγγύηση δεν ισχύει για:
 - οποιοδήποτε ζημία στο προϊόν, η οποία είναι αποτέλεσμα κακής συντήρησης
 - οποιοδήποτε προϊόν, το οποίο έχει αλλοιωθεί ή τροποποιηθεί
 - οποιοδήποτε προϊόν, στο οποίο έχει αλλοιωθεί, τροποποιηθεί ή αφαιρεθεί το γνήσιο αναγνωριστικό (σήμα κατατεθέν, σειριακός αριθμός)
 - οποιοδήποτε ζημία προκλήθηκε λόγω μη τήρησης του εγχειριδίου οδηγιών
 - οποιοδήποτε προϊόν χωρίς σήμανση CE
 - οποιοδήποτε προϊόν, στο οποίο έχει γίνει προσπάθεια επισκευής από μη καταρτισμένο επαγγελματία ή χωρίς την προηγούμενη έγκριση της Techtronic Industries.
 - οποιοδήποτε προϊόν, το οποίο έχει συνδεθεί σε ακατάλληλη παροχή ρεύματος (αμπέρ, ισχύ, συχνότητα)
 - οποιοδήποτε ζημία έχει προκλήσει από εξωτερικές επιδράσεις (χημικές, φυσικές, κλιματισμικές) ή ξένες ουσίες
 - φυσιολογική φθορά και ρήξη ανταλλακτικών
 - ακατάλληλη χρήση, υπερφόρτωση του εργαλείου
 - χρήση μη ενδεδειγμένων εξαρτημάτων ή ανταλλακτικών
 - Εξαρτήματα ηλεκτρικών εργαλείων που παρασχεθήκαν με το εργαλείο ή αγοράστηκαν ξεχωριστά. Τέτοιες εξαρτήσεις περιλαμβάνουν, ενδεικτικά, μύτες καταβίθους, τριπτάνα, δίσκους λείανσης, γυαλόχαρτο και λεπίδες, πτελέριο οδηγό
 - Εξαρτήματα (ανταλλακτικά και αξεσουάρ) που υπόκεινται σε φυσική φθορά και θραύση, συμπεριλαμβανομένων, ενδεικτικά, σετ επισκευής & συντήρησης, ψηκτρών άνθρακα, εφεδρώνων, τσοκ, εξαρτημάτων ή υποδοχών τριπτανών SDS, καλωδίων ισχύος, βοηθητικής λαβής, βαλίτσας μεταφοράς, βάσης τριβείου, ακουκίας συλλογής σκόνης, σωλήνα εξαγωγής σκόνης, ροβελιών τσάσας, μυτών και ελατρίων κρωστήου κλειδίου κοχλίων, κτλ.
4. Το προϊόν θα πρέπει να αποσταλεί ή να παραδοθεί για επισκευή ή συντήρηση σε εξουσιοδοτημένο σημείο σέρβις της RYOBI που περιλαμβάνεται στον ακόλουθο κατάλογο διευθύνσεων για κάθε χώρα. Σε ορισμένες χώρες, το τοπικό σημείο πώλησης της RYOBI αναλαμβάνει την αποστολή του προϊόντος στο κεντρικό σέρβις της RYOBI. Κατά την αποστολή ενός προϊόντος σε σημείο σέρβις της RYOBI, αυτό θα πρέπει να είναι ασφαλισμένο συσκευασμένο, χωρίς επικίνδυνο περιεχόμενο, όπως, πετρέλαιο, να φέρει τη διεύθυνση του αποστολέα και να συνοδεύεται από σύντομη περιγραφή της βλάβης.
5. Η επιδιόρθωση / αντικατάσταση υπό την παρούσα εγγύηση παρέχεται δωρεάν. Δε συνιστά παράταση της περιόδου εγγύησης ή εκκίνηση νέας περιόδου εγγύησης. Τα μέρη που αντικαθίστανται περιφέρονται στην κυριότητα μας. Σε ορισμένες χώρες, τα ενδοχόμενα έξοδα παράδοσης ή μεταφοράς βελώνουν τον αποστολέα. Τα νόμιμα δικαιώματά σας, τα οποία απορρέουν από την αγορά του εργαλείου, δεν θίγονται.
6. Η παρούσα εγγύηση ισχύει στην Ευρωπαϊκή Κοινότητα, την Ελβετία, την Ιαλαβία, τη Νορβηγία, το Λιχτενστάιν, την Τουρκία και την Ρωσία. Εκτός των παραπάνω περιοχών, σας παρακαλούμε να επικοινωνήσετε με εξουσιοδοτημένο κατάστημα πώλησης της RYOBI, προκειμένου να διαπιστωθεί ένα ισχύει κάποια άλλη εγγύηση.

ΕΞΟΥΣΙΟΔΟΤΗΜΕΝΟ ΚΕΝΤΡΟ ΣΕΡΒΙΣ

Για να εντοπίσετε ένα εξουσιοδοτημένο κέντρο σέρβις στην περιοχή σας, επισκεφτείτε τη σελίδα <http://en.ryobitools.eu/header/service-and-support/> service-agents.



EN DECLARATION OF CONFORMITY

Techtronic Industries GmbH
Max-Eyth-Straße 10, 71364 Winnenden, Germany

Herewith we declare that the product

Thickness planer with anti-kickback
Brand: RYOBI
Model number: RAP1500G
Serial number range: 46205102000001 - 46205102999999

is in conformity with the following European Directives and harmonised standards

2006/42/EC, 2014/30/EU, 2011/65/EU,
EN 55014-1:2006+A1:2009+A2:2011; EN 55014-2:2015;
EN 61000-3-2:2014; EN 61000-3-3:2013;
EN 61029-1:2009+A11:2010; EN 61029-2-3:2011

Notified body 0344, DEKRA Certification B.V. Meander 1051, 6825 MJ Arnhem
P.O. Box 5185, 6802 ED Arnhem, The Netherlands, has carried out EC type
approval, and the certificate no. is 2196495.01CE.

RoHS documentation is compiled according to EN 50581:2012

Andrew John Eyre (BEng, CEng, MIET)
Vice President, Regulatory & Safety
Winnenden, Aug. 1, 2017

Authorised to compile the technical file:

Alexander Krug, Managing Director
Techtronic Industries GmbH
Max-Eyth-Straße 10, 71364 Winnenden, Germany

DE KONFORMITÄTSERKLÄRUNG

Techtronic Industries GmbH
Max-Eyth-Straße 10, 71364 Winnenden, Germany

Hiermit erklären wir, dass das Produkt

Dickenhobel mit Rückstoßschutz
Marke: RYOBI
Modellnummer: RAP1500G
Seriennummernbereich: 46205102000001 - 46205102999999

den folgenden europäischen Richtlinien und harmonisierten Normen entspricht

2006/42/EC, 2014/30/EU, 2011/65/EU,
EN 55014-1:2006+A1:2009+A2:2011; EN 55014-2:2015;
EN 61000-3-2:2014; EN 61000-3-3:2013;
EN 61029-1:2009+A11:2010; EN 61029-2-3:2011

Benannte Stelle 0344, DEKRA Certification B.V. Meander 1051, 6825 MJ Arnhem
P.O. Box 5185, 6802 ED Arnhem, The Netherlands, hat die EC Typen-Überprüfung
durchgeführt und die Zertifikatnummer lautet 2196495.01CE.

RoHS Dokumentation ist gemäß EN 50581:2012 zusammengestellt

Andrew John Eyre (BEng, CEng, MIET)
Vizepräsident, Vorschriften und Sicherheit
Winnenden, Aug. 1, 2017

Autorisiert die technische Datei zu erstellen:

Alexander Krug, Geschäftsführer
Techtronic Industries GmbH
Max-Eyth-Straße 10, 71364 Winnenden, Germany

FR DÉCLARATION DE CONFORMITÉ

Techtronic Industries GmbH
Max-Eyth-Straße 10, 71364 Winnenden, Germany

Déclarons par la présente que le produit

Raboteuse avec fonction anti-rebond
Marque: RYOBI
Numéro de modèle: RAP1500G
Étendue des numéros de série: 46205102000001 - 46205102999999

est conforme aux Directives Européennes et Normes Harmonisées suivantes

2006/42/EC, 2014/30/EU, 2011/65/EU,
EN 55014-1:2006+A1:2009+A2:2011; EN 55014-2:2015;
EN 61000-3-2:2014; EN 61000-3-3:2013;
EN 61029-1:2009+A11:2010; EN 61029-2-3:2011

L'organisme notifié 0344, DEKRA Certification B.V. Meander 1051, 6825 MJ
Arnhem P.O. Box 5185, 6802 ED Arnhem, The Netherlands, a validé la conformité
EC, et le No de certificat est 2196495.01CE.

La documentation RoHS a été dressée d'après EN 50581:2012

Andrew John Eyre (BEng, CEng, MIET)
Vice-Président, Réglementation & Sécurité
Winnenden, Aug. 1, 2017

Autorisé à rédiger le dossier technique:

Alexander Krug, Directeur Général
Techtronic Industries GmbH
Max-Eyth-Straße 10, 71364 Winnenden, Germany

ES DECLARACIÓN DE CONFORMIDAD

Techtronic Industries GmbH
Max-Eyth-Straße 10, 71364 Winnenden, Germany

Por la presente declaramos que los productos

Cepilladora de grosor con antirretroceso
Marca: RYOBI
Número de modelo: RAP1500G
Intervalo del número de serie: 46205102000001 - 46205102999999

se encuentra en conformidad con las siguientes Directivas Europeas y normas armonizadas

2006/42/EC, 2014/30/EU, 2011/65/EU,
EN 55014-1:2006+A1:2009+A2:2011; EN 55014-2:2015;
EN 61000-3-2:2014; EN 61000-3-3:2013;
EN 61029-1:2009+A11:2010; EN 61029-2-3:2011

El organismo notificado 0344, DEKRA Certification B.V. Meander 1051, 6825 MJ
Arnhem P.O. Box 5185, 6802 ED Arnhem, The Netherlands, ha llevado a cabo la
homologación de tipo EC, y el n.º de certificado es 2196495.01CE.

Documentación sobre restricción de sustancias peligrosas (RoHS) recopilada
según la norma EN 50581:2012

Andrew John Eyre (BEng, CEng, MIET)
Vicepresidente, Director General de Normativa y Seguridad
Winnenden, Aug. 1, 2017

Autorizado para elaborar la ficha técnica:

Alexander Krug, Administrador Ejecutivo
Techtronic Industries GmbH
Max-Eyth-Straße 10, 71364 Winnenden, Germany





IT DICHIARAZIONE DI CONFORMITÀ

Techtronic Industries GmbH
Max-Eyth-Straße 10, 71364 Winnenden, Germany

Si dichiara con la presente che il prodotto

Plialla a spessore con protezione anti-contraccolpo
Marca: RYOBI
Numero modello: RAP1500G
Gamma numero seriale: 46205102000001 - 46205102999999

è conforme alle seguenti Direttive Europee e ai seguenti standard armonizzati

2006/42/EC, 2014/30/EU, 2011/65/EU,
EN 55014-1:2006+A1:2009+A2:2011; EN 55014-2:2015;
EN 61000-3-2:2014; EN 61000-3-3:2013;
EN 61029-1:2009+A11:2010; EN 61029-2-3:2011

Ente notificatore 0344, DEKRA Certification B.V. Meander 1051, 6825 MJ Arnhem
P.O. Box 5185, 6802 ED Arnhem, The Netherlands, ha svolto i test di conformità EC
e il N. del certificato è 2196495.01CE.

La documentazione RoHS è stata compilata come indicato dalle norme EN
50581:2012

Andrew John Eyre (BEng, CEng, MIET)
Vice-Presidente, Dipartimento Regolazioni & Sicurezza
Winnenden, Aug. 1, 2017

Autorizzato per compilare il file tecnico:

Alexander Krug, Direttore Amministrativo
Techtronic Industries GmbH
Max-Eyth-Straße 10, 71364 Winnenden, Germany

PT DECLARAÇÃO DE CONFORMIDADE

Techtronic Industries GmbH
Max-Eyth-Straße 10, 71364 Winnenden, Germany

Pelo presente declaramos que os produtos

Desengrossadora com anti-ressalto
Marca: RYOBI
Número do modelo: RAP1500G
Intervalo do número de série: 46205102000001 - 46205102999999

*se encontra em conformidade com as seguintes Directivas Europeias e normas
harmozizadas*

2006/42/EC, 2014/30/EU, 2011/65/EU,
EN 55014-1:2006+A1:2009+A2:2011; EN 55014-2:2015;
EN 61000-3-2:2014; EN 61000-3-3:2013;
EN 61029-1:2009+A11:2010; EN 61029-2-3:2011

Órgão notificado 0344, DEKRA Certification B.V. Meander 1051, 6825 MJ Arnhem
P.O. Box 5185, 6802 ED Arnhem, The Netherlands, realizou a aprovação tipo EC,
e o certificado é o Nº 2196495.01CE.

Documentação sobre restrição de substâncias perigosas (RoHS) compilada
segundo a norma EN 50581:2012

Andrew John Eyre (BEng, CEng, MIET)
Vice-Presidente, Regulamentação & Segurança
Winnenden, Aug. 1, 2017

Autorizado para compilar o ficheiro técnico:

Alexander Krug, Administrador Executivo
Techtronic Industries GmbH
Max-Eyth-Straße 10, 71364 Winnenden, Germany

NL CONFORMITEITSVERKLARING

Techtronic Industries GmbH
Max-Eyth-Straße 10, 71364 Winnenden, Germany

Hierbij verklaren wij dat het product

Vandiktbank met anti-terugslag
Merk: RYOBI
Modelnummer: RAP1500G
Serienummerbereik: 46205102000001 - 46205102999999

*is in overeenstemming met de volgende Europese Richtlijnen en geharmoniseerde
normen*

2006/42/EC, 2014/30/EU, 2011/65/EU,
EN 55014-1:2006+A1:2009+A2:2011; EN 55014-2:2015;
EN 61000-3-2:2014; EN 61000-3-3:2013;
EN 61029-1:2009+A11:2010; EN 61029-2-3:2011

Aangemelde instantie 0344, DEKRA Certification B.V. Meander 1051, 6825 MJ
Arnhem P.O. Box 5185, 6802 ED Arnhem, The Netherlands, heeft de EC-
typegoedkeuring uitgevoerd en het certificaatnr. is. 2196495.01CE.

RoHS-documentatie is samengesteld in overeenstemming met EN 50581:2012

Andrew John Eyre (BEng, CEng, MIET)
Vice-president, Regelgeving en Veiligheid
Winnenden, Aug. 1, 2017

Afgevaardigde voor het samenstellen van de technische fiche:

Alexander Krug, Directeur
Techtronic Industries GmbH
Max-Eyth-Straße 10, 71364 Winnenden, Germany

DA OVERENSSTEMMELSESRKLÆRING

Techtronic Industries GmbH
Max-Eyth-Straße 10, 71364 Winnenden, Germany

Vi erklærer hermed, at produktet

Tykkelseshøvl med tilbageslagssikring
Brand: RYOBI
Modelnummer: RAP1500G
Serienummerområde: 46205102000001 - 46205102999999

er i overensstemmelse med følgende EU-direktiver og harmoniserede standarder

2006/42/EC, 2014/30/EU, 2011/65/EU,
EN 55014-1:2006+A1:2009+A2:2011; EN 55014-2:2015;
EN 61000-3-2:2014; EN 61000-3-3:2013;
EN 61029-1:2009+A11:2010; EN 61029-2-3:2011

Bemyndiget organ 0344, DEKRA Certification B.V. Meander 1051, 6825 MJ
Arnhem P.O. Box 5185, 6802 ED Arnhem, The Netherlands, har foretaget EC-
typegodkendelse, og certifikatnummeret er 2196495.01CE.

RoHS-dokumentationen er udarbejdet i henhold til EN 50581:2012

Andrew John Eyre (BEng, CEng, MIET)
Vicepræsident, Regler og Sikkerhed
Winnenden, Aug. 1, 2017

Bemyndiget til at udarbejde det tekniske kartotek:

Alexander Krug, Administrerende Direktør
Techtronic Industries GmbH
Max-Eyth-Straße 10, 71364 Winnenden, Germany





SV KONFORMITETSDEKLARATION

Techtronic Industries GmbH
Max-Eyth-Straße 10, 71364 Winnenden, Germany

Härmed deklarerar vi att produkterna

Planhyvel med säkerhetssystem som förhindrar återstuds
Märke: RYOBI
Modellnummer: RAP1500G
Serienummerintervall: 46205102000001 - 46205102999999

är i enlighet med följande EU-direktiv och harmoniserade standarder

2006/42/EC, 2014/30/EU, 2011/65/EU,
EN 55014-1:2006+A1:2009+A2:2011; EN 55014-2:2015;
EN 61000-3-2:2014; EN 61000-3-3:2013;
EN 61029-1:2009+A11:2010; EN 61029-2-3:2011

Anmält organ 0344, DEKRA Certification B.V. Meander 1051, 6825 MJ Arnhem P.O. Box 5185, 6802 ED Arnhem, The Netherlands, har utfört EC-typgodkännandet och certifikatnumret är 2196495.01CE .

RoHS-dokumentation sammanställd enligt EN 50581:2012

Andrew John Eyre (BEng, CEng, MIET)
Vice President, Regelverk och Säkerhet
Winnenden, Aug. 1, 2017

Godkänd att sammanställa den tekniska filen:

Alexander Krug, VD
Techtronic Industries GmbH
Max-Eyth-Straße 10, 71364 Winnenden, Germany

NO SAMSVARSERKLÆRING

Techtronic Industries GmbH
Max-Eyth-Straße 10, 71364 Winnenden, Germany

Herved erklærer vi at produktet

Tykkelseshøvelmaskin med anti-rekyl
Märke: RYOBI
Modellnummer: RAP1500G
Serienummerserie: 46205102000001 - 46205102999999

er i samsvar med følgende europeiske direktiver og harmoniserte standarder

2006/42/EC, 2014/30/EU, 2011/65/EU,
EN 55014-1:2006+A1:2009+A2:2011; EN 55014-2:2015;
EN 61000-3-2:2014; EN 61000-3-3:2013;
EN 61029-1:2009+A11:2010; EN 61029-2-3:2011

Teknisk kontrollorgan 0344, DEKRA Certification B.V. Meander 1051, 6825 MJ Arnhem P.O. Box 5185, 6802 ED Arnhem, The Netherlands, har gjennomført EC typegodkjenning, og sertifikatnummeret er 2196495.01CE .

RoHS dokumentasjonen er skrevet i samsvar med EN 50581:2012

Andrew John Eyre (BEng, CEng, MIET)
Visepresident, Forskifter og Sikkerhet
Winnenden, Aug. 1, 2017

Autorisert til å sette sammen den tekniske filen:

Alexander Krug, Administrerende Direktør
Techtronic Industries GmbH
Max-Eyth-Straße 10, 71364 Winnenden, Germany



FI SÄÄNNÖSTEN NOUDATTAMINEN

Techtronic Industries GmbH
Max-Eyth-Straße 10, 71364 Winnenden, Germany

Ilmoitamme täten, että tuotteet

Tasohöylä takaiskun esto -ominaisuudella
Tuotemerkki: RYOBI
Mallinumero: RAP1500G
Sarjanumeroalue: 46205102000001 - 46205102999999

noudattaa seuraavia EU-direktiivejä ja harmonoituja standardeja

2006/42/EC, 2014/30/EU, 2011/65/EU,
EN 55014-1:2006+A1:2009+A2:2011; EN 55014-2:2015;
EN 61000-3-2:2014; EN 61000-3-3:2013;
EN 61029-1:2009+A11:2010; EN 61029-2-3:2011

Ilmoituksen saanut elin 0344, DEKRA Certification B.V. Meander 1051, 6825 MJ Arnhem P.O. Box 5185, 6802 ED Arnhem, The Netherlands, on suorittanut EC-tyyppisen hyväksynnän, ja todistuksen numero on 2196495.01CE .

RoHS-dokumentaatio on koottu standardin EN 50581:2012 mukaisesti

Andrew John Eyre (BEng, CEng, MIET)
Varatoimitusjohtaja, Säästöstenmukaisuus ja Turvallisuus
Winnenden, Aug. 1, 2017

Valtuutettu kokoamaan tekninen tiedosto:

Alexander Krug, Toimitusjohtaja
Techtronic Industries GmbH
Max-Eyth-Straße 10, 71364 Winnenden, Germany

RU ЗАЯВЛЕНИЕ О СООТВЕТСТВИИ ТРЕБОВАНИЯМ

Techtronic Industries GmbH
Max-Eyth-Straße 10, 71364 Winnenden, Germany

Настоящим мы заявляем, что данный продукт

Режисмуовый станок с защитой от обратного хода заготовки
Марка: RYOBI
Номер модели: RAP1500G
Диапазон заводских номеров: 46205102000001 - 46205102999999

соответствует требованиям следующих Директив ЕС и согласованных стандартов

2006/42/EC, 2014/30/EU, 2011/65/EU,
EN 55014-1:2006+A1:2009+A2:2011; EN 55014-2:2015;
EN 61000-3-2:2014; EN 61000-3-3:2013;
EN 61029-1:2009+A11:2010; EN 61029-2-3:2011

DEKRA Certification B.V. Meander 1051, 6825 MJ Arnhem P.O. Box 5185, 6802 ED Arnhem, The Netherlands, выполнила утверждение типового образца по стандарту ЕС, номер сертификата 2196495.01CE .

Документация RoHS соответствует стандарту EN 50581:2012

Andrew John Eyre (BEng, CEng, MIET)
Вице-Президент По Технике Безопасности И Стандартам
Winnenden, Aug. 1, 2017

Лицо, ответственное за подготовку технической документации:

Alexander Krug, Директор
Techtronic Industries GmbH
Max-Eyth-Straße 10, 71364 Winnenden, Germany





PL DEKLARACJA ZGODNOŚCI

Techtronic Industries GmbH
Max-Eyth-Straße 10, 71364 Winnenden, Germany

Niniejszym deklarujemy, że produkty

Strugarka grubościowa z zabezpieczeniem przed odrzutem
Marka: RYOBI
Numer modelu: RAP1500G
Zakres numerów seryjnych: 46205102000001 - 46205102999999

jest zgodny z następującymi dyrektywami europejskimi i zharmonizowanymi normami

2006/42/EC, 2014/30/EU, 2011/65/EU,
EN 55014-1:2006+A1:2009+A2:2011; EN 55014-2:2015;
EN 61000-3-2:2014; EN 61000-3-3:2013;
EN 61029-1:2009+A11:2010; EN 61029-2-3:2011

Jednostka notyfikowana 0344, DEKRA Certification B.V. Meander 1051, 6825 MJ Arnhem P.O. Box 5185, 6802 ED Arnhem, The Netherlands, potwierdziła zgodność z dyrektywami EC, nr certyfikat 2196495.01CE.

Dokumentacja RoHS została opracowana zgodnie z normą EN 50581:2012

Andrew John Eyre (BEng, CEng, MIET)
Wiceprezes ds. Zgodności Prawnej i Bezpieczeństwa
Winnenden, Aug. 1, 2017

Osoba upoważniona do sporządzenia dokumentu technicznego:

Alexander Krug, Dyrektor Zarządzający
Techtronic Industries GmbH
Max-Eyth-Straße 10, 71364 Winnenden, Germany

HU MEGFELELŐSÉGI NYILATKOZAT

Techtronic Industries GmbH
Max-Eyth-Straße 10, 71364 Winnenden, Germany

Ezúton kijelentjük, hogy a termék

Visszarúgás nélküli gyalugép vastagsága
Márka: RYOBI
Típusszám: RAP1500G
Sorozatszám tartomány: 46205102000001 - 46205102999999

megfelel az alábbi Európai Irányelvek és harmonizált szabványok vonatkozó rendelkezéseinek

2006/42/EC, 2014/30/EU, 2011/65/EU,
EN 55014-1:2006+A1:2009+A2:2011; EN 55014-2:2015;
EN 61000-3-2:2014; EN 61000-3-3:2013;
EN 61029-1:2009+A11:2010; EN 61029-2-3:2011

Az EC típusjóváhagyási eljárást a 0344, DEKRA Certification B.V. Meander 1051, 6825 MJ Arnhem P.O. Box 5185, 6802 ED Arnhem, The Netherlands, alatti tanúsító testület végezte; a tanúsítvány száma 2196495.01CE.

A RoHS dokumentáció összeállítása az EN 50581:2012 szerint történt

Andrew John Eyre (BEng, CEng, MIET)
Alelnök, Megfelelőségi és Biztonsági Területek
Winnenden, Aug. 1, 2017

A műszaki dokumentáció összeállítására felhatalmazott:

Alexander Krug, Ügyvezető Igazgató
Techtronic Industries GmbH
Max-Eyth-Straße 10, 71364 Winnenden, Germany



CS PROHLÁŠENÍ O SHODĚ

Techtronic Industries GmbH
Max-Eyth-Straße 10, 71364 Winnenden, Germany

Tímto prohlašujeme, že výrobky

Trouštkovací frézka s ochranou proti zpětnému rázu
Značka: RYOBI
Číslo modelu: RAP1500G
Rozsah sériových čísel: 46205102000001 - 46205102999999

že tento výrobek je v souladu s evropskými a harmonizovanými standardy

2006/42/EC, 2014/30/EU, 2011/65/EU,
EN 55014-1:2006+A1:2009+A2:2011; EN 55014-2:2015;
EN 61000-3-2:2014; EN 61000-3-3:2013;
EN 61029-1:2009+A11:2010; EN 61029-2-3:2011.

Úředně oznámený orgán 0344, DEKRA Certification B.V. Meander 1051, 6825 MJ Arnhem P.O. Box 5185, 6802 ED Arnhem, The Netherlands, provedl typovou zkoušku EC a vystavil osvědčení č 2196495.01CE.

RoHS dokumentace sestavena dle EN 50581:2012

Andrew John Eyre (BEng, CEng, MIET)
Viceprezident, Normy a Bezpečnost
Winnenden, Aug. 1, 2017

Pověření ke kompilaci technického souboru:

Alexander Krug, Generální Reditel
Techtronic Industries GmbH
Max-Eyth-Straße 10, 71364 Winnenden, Germany

RO DECLARAȚIE DE CONFORMITATE

Techtronic Industries GmbH
Max-Eyth-Straße 10, 71364 Winnenden, Germany

Prin prezenta, declarăm că produsele

Mașină de rindeluit cu sistem anti-recul
Marcă: RYOBI
Număr serie: RAP1500G
Gamă număr serie: 46205102000001 - 46205102999999

este în conformitate cu următoarele Directive Europene și standarde armonizate

2006/42/EC, 2014/30/EU, 2011/65/EU,
EN 55014-1:2006+A1:2009+A2:2011; EN 55014-2:2015;
EN 61000-3-2:2014; EN 61000-3-3:2013;
EN 61029-1:2009+A11:2010; EN 61029-2-3:2011

Agenția notificată 0344, DEKRA Certification B.V. Meander 1051, 6825 MJ Arnhem P.O. Box 5185, 6802 ED Arnhem, The Netherlands, a efectuat o procedură de aprobare tip EC, iar nr. certificatul este 2196495.01CE.

Dokumentajă RoHS este întocmită în conformitate cu EN 50581:2012

Andrew John Eyre (BEng, CEng, MIET)
Vicepreședintele, Reglementare & Siguranță
Winnenden, Aug. 1, 2017

Autorizat să completeze fișa tehnică:

Alexander Krug, Director General
Techtronic Industries GmbH
Max-Eyth-Straße 10, 71364 Winnenden, Germany





LV ATBILSTĪBAS DEKLARĀCIJA

Techtronic Industries GmbH
Max-Eyth-Straße 10, 71364 Winnenden, Germany

Ar šo paziņojam, ka produkti
Biezumēvele ar atsietiena novēršanu
Zīmols: RYOBI
Modeļa numurs: RAP1500G
Sērijas numura intervāls: 46205102000001 - 46205102999999

atbilst šādām Eiropas direktīvām un saskaņotajiem standartiem
2006/42/EC, 2014/30/EU, 2011/65/EU,
EN 55014-1:2006+A1:2009+A2:2011; EN 55014-2:2015;
EN 61000-3-2:2014; EN 61000-3-3:2013;
EN 61029-1:2009+A11:2010; EN 61029-2-3:2011

Informētā iestāde 0344, DEKRA Certification B.V. Meander 1051, 6825 MJ Arnhem
P.O. Box 5185, 6802 ED Arnhem, The Netherlands, ir veikusi EC tipa pārbaudi, un
sertifikāta Nr. Ir 2196495.01CE .

RoHS dokumentācija ir izstrādāta saskaņā ar EN 50581:2012

Andrew John Eyre (BEng, CEng, MIET)
Viceprezidents, Darba Drošības Noteikumi
Winnenden, Aug. 1, 2017

Pilnvarots sastādīt tehnisko failu:
Alexander Krug, Izpildedzinātājs
Techtronic Industries GmbH
Max-Eyth-Straße 10, 71364 Winnenden, Germany

ET VASTAVUSDEKLARATSIOON

Techtronic Industries GmbH
Max-Eyth-Straße 10, 71364 Winnenden, Germany

Kinnitame, et see toode
Tagasilõigikaitsega pakshoõvepink
Mark: RYOBI
Mudeli number: RAP1500G
Seerianumbri vahemik: 46205102000001 - 46205102999999

vastab järgmistele Euroopa direktiividele ja harmoneeritud standarditele
2006/42/EC, 2014/30/EU, 2011/65/EU,
EN 55014-1:2006+A1:2009+A2:2011; EN 55014-2:2015;
EN 61000-3-2:2014; EN 61000-3-3:2013;
EN 61029-1:2009+A11:2010; EN 61029-2-3:2011

Tunnustatud asutus 0344, DEKRA Certification B.V. Meander 1051, 6825 MJ
Arnhem P.O. Box 5185, 6802 ED Arnhem, The Netherlands, on läbi viinud EC
tüübikinnitustoimingud ja välja andnud sertifikaadi nr 2196495.01CE .

RoHS dokumendid on koostatud vastavuses standardi EN 50581:2012 nõuetele.

Andrew John Eyre (BEng, CEng, MIET)
Asepresident Standardiseerimise Ja Ohutuse Alal
Winnenden, Aug. 1, 2017

Tehnilise faili koostamiseks volitatud isik:
Alexander Krug, Tegevdirektor
Techtronic Industries GmbH
Max-Eyth-Straße 10, 71364 Winnenden, Germany

LT ATITIKTIKES PAREIŠKIMAS

Techtronic Industries GmbH
Max-Eyth-Straße 10, 71364 Winnenden, Germany

Mes pareiškiame, kad šie produktai
Obliviavimo-drožimo staklės su apsauga nuo atarankos
Prekės ženklas: RYOBI
Modelio numeris: RAP1500G
Serijinio numerio diapazonas: 46205102000001 - 46205102999999

pagamintas laikantis toliau nurodytųjų Europos Direktyvų ir darniųjų standartų
2006/42/EC, 2014/30/EU, 2011/65/EU,
EN 55014-1:2006+A1:2009+A2:2011; EN 55014-2:2015;
EN 61000-3-2:2014; EN 61000-3-3:2013;
EN 61029-1:2009+A11:2010; EN 61029-2-3:2011

Notifikuoti jįstaiga 0344, DEKRA Certification B.V. Meander 1051, 6825 MJ
Arnhem P.O. Box 5185, 6802 ED Arnhem, The Netherlands, atliko EC tipo
patvirtinimą. Pažymėjimo numeris 2196495.01CE .

Tam tikrų pavojingų medžiagų naudojimo elektros ir elektroninėje įrangoje apri
bajimo dokumentai sudaryti pagal standartą EN 50581:2012

Andrew John Eyre (BEng, CEng, MIET)
Kontrolės Ir Saugos Viceprezidentas
Winnenden, Aug. 1, 2017

Igaliotas sudaryti techninį failą:
Alexander Krug, Generalinis Direktorius
Techtronic Industries GmbH
Max-Eyth-Straße 10, 71364 Winnenden, Germany

HR IZJAVA O USKLAĐENOSTI

Techtronic Industries GmbH
Max-Eyth-Straße 10, 71364 Winnenden, Germany

Ovime izjavljujemo da su proizvodi
Blanja-debljača sa zaštitom od povratnog udara
Marka: RYOBI
Broj modela: RAP1500G
Raspon serijskog broja: 46205102000001 - 46205102999999

usklađen sa sljedećim Europskim Direktivama i usklađenim normama
2006/42/EC, 2014/30/EU, 2011/65/EU,
EN 55014-1:2006+A1:2009+A2:2011; EN 55014-2:2015;
EN 61000-3-2:2014; EN 61000-3-3:2013;
EN 61029-1:2009+A11:2010; EN 61029-2-3:2011

Nadzorno tijelo 0344, DEKRA Certification B.V. Meander 1051, 6825 MJ Arnhem
P.O. Box 5185, 6802 ED Arnhem, The Netherlands, izdalo je odobrenje tipa EC i
broj certifikata je 2196495.01CE .

RoHS dokumentacija sukladna je EN 50581:2012

Andrew John Eyre (BEng, CEng, MIET)
Potpredsjednik za Pravila i Sigurnost
Winnenden, Aug. 1, 2017

Ovlašten da sastavi tehničku datoteku:
Alexander Krug, Direktor Upravljanja
Techtronic Industries GmbH
Max-Eyth-Straße 10, 71364 Winnenden, Germany





SL IZJAVA O SKLADNOSTI

Techtronic Industries GmbH
Max-Eyth-Straße 10, 71364 Winnenden, Germany

Izjavljamo, da je izdelek
Hobľovačka hrúbkovacia s ochranou proti spätnému rázu
Znamka: RYOBI
Številka modela: RAP1500G
Razpon serijskih števil: 46205102000001 - 46205102999999

v skladu s sledečimi evropskimi direktivami in harmoniziranimi standardi
2006/42/EC, 2014/30/EU, 2011/65/EU,
EN 55014-1:2006+A1:2009+A2:2011; EN 55014-2:2015;
EN 61000-3-2:2014; EN 61000-3-3:2013;
EN 61029-1:2009+A11:2010; EN 61029-2-3:2011

Priglašeni organ 0344, DEKRA Certification B.V. Meander 1051, 6825 MJ Arnhem P.O. Box 5185, 6802 ED Arnhem, The Netherlands, je izvedel EC homologacijo, številka certifikata pa je 2196495.01CE .

Dokumentacija RoHS je sestavljena skladno s standardom EN 50581:2012

Andrew John Eyre (BEng, CEng, MIET)
Podpredsednik, Zakonodajne In Varnostne Zadeve
Winnenden, Aug. 1, 2017

Pooblaščenca oseba za sestavo tehnične dokumentacije:
Alexander Krug, Izvršni Direktor
Techtronic Industries GmbH
Max-Eyth-Straße 10, 71364 Winnenden, Germany

BG ДЕКЛАРАЦИЯ НА ЗА СЪОТВЕТСТВИЕ

Techtronic Industries GmbH
Max-Eyth-Straße 10, 71364 Winnenden, Germany

С настоящето декларираме, че продуктите
Машина за регулиране на дебелината със система против откат
Марка: RYOBI
Номер на модела: RAP1500G
Обхват на серийни номера: 46205102000001 - 46205102999999

отговаря на следните директиви на ЕС и хармонизирани стандарти
2006/42/EC, 2014/30/EU, 2011/65/EU,
EN 55014-1:2006+A1:2009+A2:2011; EN 55014-2:2015;
EN 61000-3-2:2014; EN 61000-3-3:2013;
EN 61029-1:2009+A11:2010; EN 61029-2-3:2011

Компетентният орган, № 0344, DEKRA Certification B.V. Meander 1051, 6825 MJ Arnhem P.O. Box 5185, 6802 ED Arnhem, The Netherlands, е провел EK-типово одобрение, като идентификационният номер е 2196495.01CE.

Документацията за RoHS е съставена в съответствие с EN 50581:2012.

Andrew John Eyre (BEng, CEng, MIET)
Вицепрезидент, Правни Услуги И Безопасност
Winnenden, Aug. 1, 2017

Упълномощено лице за съставяне на техническия файл:
Alexander Krug, Изпълнителен Директор
Techtronic Industries GmbH
Max-Eyth-Straße 10, 71364 Winnenden, Germany

SK PREHLÁSENIE O ZHODE

Techtronic Industries GmbH
Max-Eyth-Straße 10, 71364 Winnenden, Germany

Týmto vyhlasujeme, že výrobok
Porovnalni skobeljni stroj z zaščito pred povratnim udarcem
Značka: RYOBI
Číslo modelu: RAP1500G
Rozsah sériových čísiel: 46205102000001 - 46205102999999

je v súlade s nasledujúcimi Európskymi smernicami a harmonizovanými normami
2006/42/EC, 2014/30/EU, 2011/65/EU,
EN 55014-1:2006+A1:2009+A2:2011; EN 55014-2:2015;
EN 61000-3-2:2014; EN 61000-3-3:2013;
EN 61029-1:2009+A11:2010; EN 61029-2-3:2011

Uповедоменý orgán 0344, DEKRA Certification B.V. Meander 1051, 6825 MJ Arnhem P.O. Box 5185, 6802 ED Arnhem, The Netherlands, previedol schválenie typu EC a certifikáciu č 2196495.01CE .

Dokumentácia RoHS je zostavená podľa EN 50581:2012

Andrew John Eyre (BEng, CEng, MIET)
Viceprezident, Regulácia a Bezpečnosť
Winnenden, Aug. 1, 2017

Oprávnená osoba na zostavenie technického súboru:
Alexander Krug, Generálny Riaditeľ
Techtronic Industries GmbH
Max-Eyth-Straße 10, 71364 Winnenden, Germany

UK ДЕКЛАРАЦИЯ ПРО ВІДПОВІДНІСТЬ

Techtronic Industries GmbH
Max-Eyth-Straße 10, 71364 Winnenden, Germany

При цьому ми заявляємо, що продукт
Розпильвальний рубанок з анти-віддачею
Марка: RYOBI
Номер моделі: RAP1500G
Діапазон серійного номеру: 46205102000001 - 46205102999999

у відповідності з наступними європейськими директивами та гармонізованими стандартами
2006/42/EC, 2014/30/EU, 2011/65/EU,
EN 55014-1:2006+A1:2009+A2:2011; EN 55014-2:2015;
EN 61000-3-2:2014; EN 61000-3-3:2013;
EN 61029-1:2009+A11:2010; EN 61029-2-3:2011

Уповноважений орган № 0344, DEKRA Certification B.V. Meander 1051, 6825 MJ Arnhem P.O. Box 5185, 6802 ED Arnhem, The Netherlands, здійснив затвердження типу EC, і сертифікат № 2196495.01CE.

Документація RoHS складена відповідно до EN 50581:2012

Andrew John Eyre (BEng, CEng, MIET)
Віце-президент, регулювання і безпека
Winnenden, Aug. 1, 2017

Дозвіл на складання технічного файла:
Alexander Krug, Керуючий директор
Techtronic Industries GmbH
Max-Eyth-Straße 10, 71364 Winnenden, Germany





TR UYGUNLUK BEYANI

Techtronic Industries GmbH
Max-Eyth-Straße 10, 71364 Winnenden, Germany

Böylelikle beyan ederiz ki; ürün
Geri tepmesiz planya
Marka: RYOBI
Model numarası: RAP1500G
Seri numarası aralığı: 46205102000001 - 46205102999999

aşağıdaki Avrupa Direktifleri ve uyumlaştırılmış standartlara uygundur
2006/42/EC, 2014/30/EU, 2011/65/EU,
EN 55014-1:2006+A1:2009+A2:2011; EN 55014-2:2015;
EN 61000-3-2:2014; EN 61000-3-3:2013;
EN 61029-1:2009+A11:2010; EN 61029-2-3:2011

Onaylanmış kuruluş: DEKRA Certification B.V. Meander 1051, 6825 MJ Arnhem
P.O. Box 5185, 6802 ED Arnhem, The Netherlands. Onaylanmış kuruluş No: 0344
Sertifika No: BM 2196495.01CE

RoHS belgeleri EN 50581:2012 uyarınca derlenmiştir

Andrew John Eyre

Andrew John Eyre (BEng, CEng, MIET)
Başkan Vekili, Düzenleme ve Güvenlik
Winnenden, Aug. 1, 2017

CE

Teknik dosya hazırlamaya yetkilidir:
Alexander Krug, Genel Müdür
Techtronic Industries GmbH
Max-Eyth-Straße 10, 71364 Winnenden, Germany

EL ΔΗΛΩΣΗ ΣΥΜΜΟΡΦΩΣΗΣ

Techtronic Industries GmbH
Max-Eyth-Straße 10, 71364 Winnenden, Germany

Δια του παρόντος δηλώνουμε ότι το προϊόν
Πλάνη με αποφυγή επιστροφής
Μάρκα: RYOBI
Αριθμός μοντέλου: RAP1500G
Εύρος σειριακών αριθμών: 46205102000001 - 46205102999999

είναι σύμφωνο με τις παρακάτω Ευρωπαϊκές Οδηγίες και εναρμονισμένα πρότυπα
2006/42/EC, 2014/30/EU, 2011/65/EU,
EN 55014-1:2006+A1:2009+A2:2011; EN 55014-2:2015;
EN 61000-3-2:2014; EN 61000-3-3:2013;
EN 61029-1:2009+A11:2010; EN 61029-2-3:2011

Κοινοποιημένος Οργανισμός: DEKRA Certification B.V. Meander 1051, 6825 MJ
Arnhem P.O. Box 5185, 6802 ED Arnhem, The Netherlands Ap. Κοινοποιημένος
Οργανισμός: 0344
Ap. πιστοποιητικού: BM 2196495.01CE

Τα έγγραφα RoHS συντάσσονται σύμφωνα με το EN50581:2012

Andrew John Eyre

Andrew John Eyre (BEng, CEng, MIET)
Αντιπρόεδρος, Τμήμα Ρυθμίσεων & Ασφάλειας
Winnenden, Aug. 1, 2017

CE

Εξουσιοδοτημένο άτομο για σύνταξη τεχνικού αρχείου:
Alexander Krug, Διευθύνων Σύμβουλος
Techtronic Industries GmbH
Max-Eyth-Straße 10, 71364 Winnenden, Germany







Techtronic Industries GmbH
Max-Eyth-Straße 10,
71364 Winnenden, Germany

20180810v4