

Camry

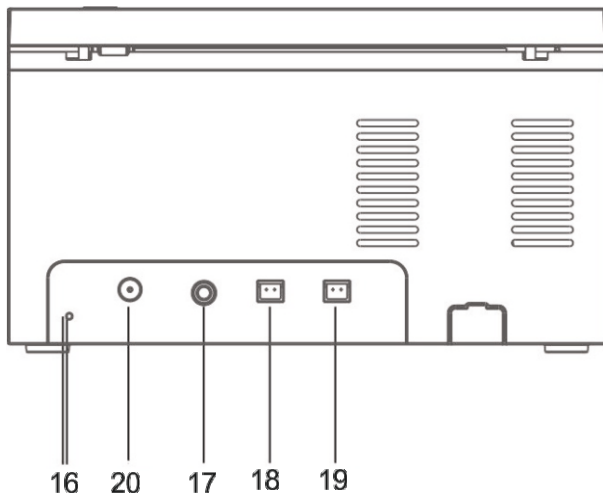
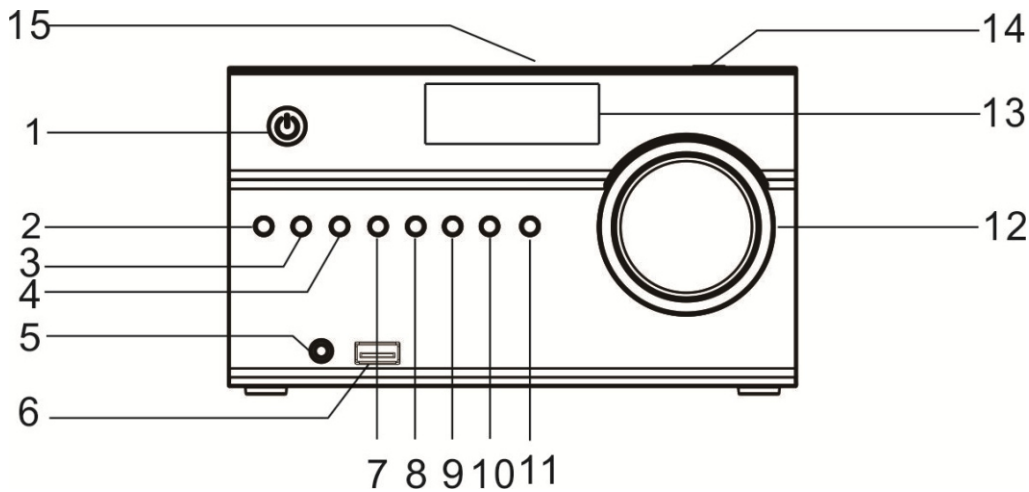
Premium

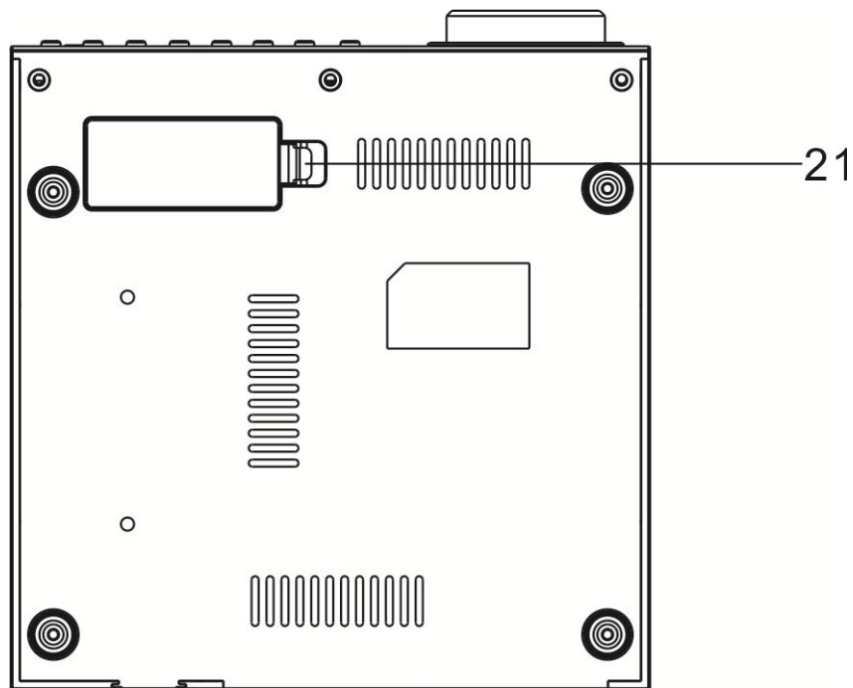
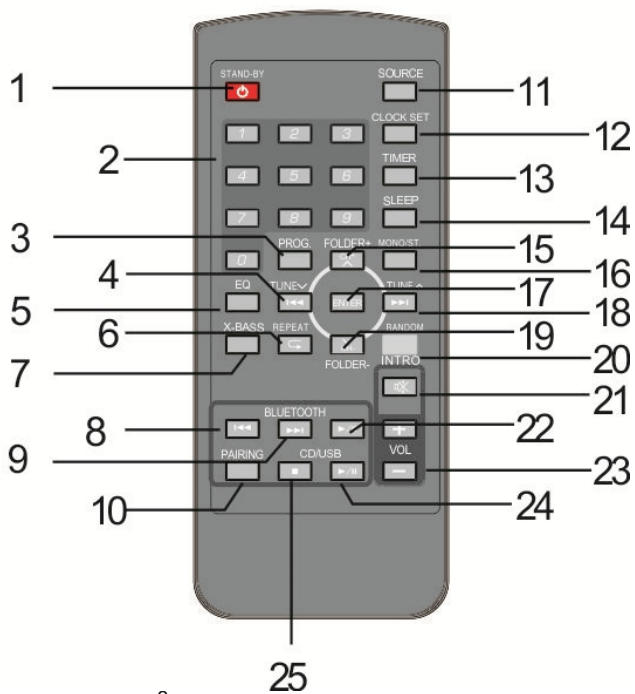


CR 1173

- | | |
|--------------------------------------|--------------------------------------|
| (GB) user manual - 4 | (DE) bedienungsanweisung - 11 |
| (FR) mode d'emploi - 18 | (ES) manual de uso - 25 |
| (PT) manual de serviço - 32 | (LT) naudojimo instrukcija - 39 |
| (LV) lietošanas instrukcija - 46 | (EST) kasutusjuhend - 53 |
| (HU) felhasználói kézikönyv - 73 | (BS) upute za rad - 66 |
| (RO) Instrucțiunea de deservire - 59 | (CZ) návod k obsluze - 96 |
| (RU) инструкция обслуживания - 102 | (GR) οδηγίες χρήσεως - 80 |
| (MK) упатство за корисникот - 88 | (NL) handleiding - 110 |
| (SL) navodila za uporabo - 117 | (FI) manual ng pagtuturo - 130 |
| (PL) instrukcja obsługi - 185 | (IT) istruzioni operative - 150 |
| (HR) upute za uporabu - 124 | (SV) instruktionsbok - 137 |
| (DK) brugsanvisning - 164 | (UA) інструкція з експлуатації - 171 |
| (SR) Корисничко упутство - 157 | (SK) Používateľská príručka - 143 |
| (AR) دليل التعليمات - 178 | (BG) Инструкция за употреба - 193 |

A



A**B**

SAFETY CONDITIONS IMPORTANT INSTRUCTIONS ON SAFETY OF USE PLEASE
READ CAREFULLY AND KEEP FOR FUTURE REFERENCE

The warranty conditions are different, if the device is used for commercial purpose.

1. Before using the product please read carefully and always comply with the following instructions. The manufacturer is not responsible for any damages due to any misuse.
2. The product is only to be used indoors. Do not use the product for any purpose that is not compatible with its application.
3. The applicable voltage is 230V, ~50Hz. For safety reasons it is not appropriate to connect multiple devices to one power outlet.
4. Please be cautious when using around children. Do not let the children to play with the product. Do not let children or people who do not know the device to use it without supervision.
5. **WARNING:** This device may be used by children over 8 years of age and persons with reduced physical, sensory or mental capabilities, or persons without experience or knowledge of the device, only under the supervision of a person responsible for their safety, or if they were instructed on the safe use of the device and are aware of the dangers associated with its operation. Children should not play with the device. Cleaning and maintenance of the device should not be carried out by children, unless they are over 8 years of age and these activities are carried out under supervision.
6. After you are finished using the product always remember to gently remove the plug from the power outlet holding the outlet with your hand. Never pull the power cable!!!
7. Never put the power cable, the plug or the whole device into the water. Never expose the product to the atmospheric conditions such as direct sun light or rain, etc.. Never use the product in humid conditions.
8. Periodically check the power cable condition. If the power cable is damaged the product should be turned to a professional service location to be replaced in order to avoid hazardous situations.
9. Never use the product with a damaged power cable or if it was dropped or damaged in any other way or if it does not work properly. Do not try to repair the defected product yourself because it can lead to electric shock. Always turn the damaged device to a professional service location in order to repair it. All the repairs can be done only by authorized service professionals. The repair that was done incorrectly can cause hazardous situations for the user.
10. Never put the product on or close to the hot or warm surfaces or the kitchen appliances like the electric oven or gas burner.
11. Never use the product close to combustibles.
12. Do not let cord hang over edge of counter or touch hot surfaces.
13. Never leave the product connected to the power source without supervision. Even when use is interrupted for a short time, turn it off from the network, unplug the power.
14. In order to provide additional protection, it is recommended to install residue current

device (RCD) in the power circuit, with residual current rating not more than 30 mA. Contact professional electrician in this matter.

15. Avoid getting the device wet.

16. The device may only be wiped with a dry cloth. Do not use water or cleaning fluids.

17. The device should be kept in a dry room.

DEVICE:

1. POWER ON/OFF STANDBY INDICATOR
- 2.SOURCE
- 3.TIME SET/MEMORY BUTTON
4. TUNER CHANNEL -
- 5.AUX IN
- 6.USB
- 7.TUNER CHANNEL +
8. CD STOP BUTTON / BLUETOOTH PAIR BUTTON
9. CD / BLUETOOTH PLAY / PAUSE / RADIO AUTO SEARCH BUTTON
10. CD / BLUETOOTH SKIP PREVIOUS / TUNE - BUTTON
11. CD / BLUETOOTH SKIP NEXT / TUNE + BUTTON
12. VOLUME CONTROL KNOB
- 13.LCD DISPLAY
14. CD DOOR OPEN / CLOSE BUTTON
- 15.CD DOOR
- 16.FM ANTENNA
17. HEADPHONE JACK
- 18.RIGHT SPEAKER CONNECTOR
- 19.LEFT SPEAKER CONNECTOR
20. DC POWER ADAPTOR
- 21.BATTERY COMPARTMENT DOOR

REMOTE CONTROL:

1. POWER ON/OFF STANDBY INDICATOR
- 2.DISC DIRECT SEARCH BUTTON
3. PROG. BUTTON
4. CD/USB TRACK DOWN OR TIME DOWN BUTTON, TUNER DOWN BUTTON.
5. EQUALIZER BUTTON
- 6.REPEAT BUTTON
- 7.X-BASS BUTTON
- 8.TRACK DOWN BUTTON
9. CD / BLUETOOTH PLAY / PAUSE / RADIO AUTO SEARCH BUTTON
10. CD / BLUETOOTH SKIP PREVIOUS / TUNE - BUTTON
11. CD / BLUETOOTH SKIP NEXT / TUNE + BUTTON
- 12.CLOCK SET
- 13.LCD DISPLAY
- 14.CD DOOR OPEN / CLOSE BUTTON
15. CD DOOR
- 16.FM ANTENNA
17. HEADPHONE JACK
18. RIGHT SPEAKER CONNECTOR
- 19.LEFT SPEAKER CONNECTOR
20. RANDOM BUTTON AND INTRO BUTTON
- 21.BATTERY COMPARTMENT DOOR
22. BT PLAY / PAUSE BUTTON
- 23.VOLUM UP AN DOWN BUTTON
24. CD PLAY / PAUSE BUTTON
- 25.CD STOP BUTTON

SYSTEM CONNECTIONS

Make sure to unplug the AC power cord is unplugged from the wall outlet before making any connections.

AC Power Connection

Plug the AC power cord into an available 230V~ 50Hz AC Outlet. Make sure the plug is securely inserted into the AC outlet.

Installing the Batteries for the Battery Back-Up

1. Remove the battery compartment door located on the bottom of the main unit.
2. Follow the polarity markings inside the battery compartment, and insert 2 x AAA batteries (not included) into the two battery slots located in the battery compartment.
3. Replace the battery door.

NOTES:

- When replacing the back-up batteries, do not disconnect the AC power cord from the wall outlet. If you do, all the current date time and alarm settings will be erased.
- If the unit will be left unplugged for a long period of time, remove the batteries to avoid any damage that may occur if the batteries leak and cause corrosion.

Remote Control

The remote control operates on one CR2025 3V lithium battery (included in the remote). To activate the remote control, remove the insulator tab inserted in the battery compartment.

If the remote operation becomes intermittent or unsatisfactory, replace the original battery with a new CR2025 3V lithium battery.

- 1.Press down on the compartment cover, slide out the battery holder from the remote control case.
- 2.Replace the battery making sure the battery is installed correctly. The remote will not work if the battery is installed with the wrong polarity.

CAUTION:

- 1.) Danger of explosion if the battery is replaced incorrectly.
- 2.) Replace only with the same or equivalent type battery.
- 3.) Insert the battery holder back into the battery slot.

TURNING THE UNIT ON/OFF

1. In Off (standby) mode, tap the POWER / STANDBY Button (A1,B1) on main unit or remote control to turn the unit ON. The unit will turn on, the last selected input mode icon will show on LCD display.
2. To turn the unit OFF (standby), tap the Power On POWER / STANDBY Button (A1,B1) on main unit or remote control again. The LCD DISPLAY will go dim and show the current time. The standby mode indicator lights.

SETTING THE CLOCK

After plugging in the AC power, "00:00" will appear and start blinking on the LCD display.

1. In Power Off (Standby) mode, press and hold the CLOCK SET Button (B13) on remote control or main unit, the 24 HOUR format "24H" will show in display.
2. Tap the Previous / Next Button (B4, B18) on remote control or main unit to select 24 Hour format if necessary. Otherwise, press the CLOCK SET (B12) Button to confirm 12 Hour clock format and enter clock setup mode, Hour digits will be flashing.
3. Tap the Previous / Next Button (B4, B18) on remote control or main unit to adjust the hour. Press and hold the button for fast advance / reverse setting.
Note: Make sure the hour is set so that the PM indicator is displayed correctly.
4. Press the CLOCK SET (B12) Button on remote control to confirm the hour setting, the minute digits will flash to prompt for input.
5. Tap the Previous / Next Button (B4, B18) on remote control or main unit to adjust the minute. Press and hold the button for fast advance / reverse setting.
6. Press the CLOCK SET (B12) Button on remote control again to complete the setting.

NOTE: The clock and radio station presets will need to be reset if the power is interrupted or in the event of a power outage. "00:00" will appear and start blinking on the LCD display to notify you that the power was interrupted and the clock will need to be reset. Please follow steps 1-6 above to reset the clock.

CHECKING THE CLOCK

The unit will show the current time in standby mode. To check the current time in Power ON mode, press and hold the CLOCK SET (B12) Button on main unit or remote control for 3 seconds, the current time will show for 5 seconds and then return to the previous screen.

ALARM OPERATION (REMOTE CONTROL ONLY)

SETTING THE ALARM CLOCK

This function allows the system to turn on automatically and wake you using a beeping alarm, the CD, USB or BU the RADIO.

1. Press and hold the TIMER (B13) button on the remote control until the display shows "On", and the hour digits flash.
2. Press the Previous / Next Button (B4, B18) buttons to adjust the hour digits, and then press the TIMER button to confirm. The minute digits will flash on the display.
3. Press the Previous / Next Button (B4, B18) buttons to adjust the minute digits, and then press the TIMER (B13) button to confirm.
4. When the Previous / Next Button (B4, B18) On Timer Clock set is set, the display will show "OFF" and the hour digits will flash.
5. Press the Previous / Next Button (B4, B18) buttons to adjust the hour digits, and then press the TIMER (B13) button to confirm. The minute digits will flash on the display.
6. Press the Previous / Next Button (B4, B18) buttons on the remote control to adjust the minute digits, and then press the TIMER button to confirm.
7. Press the buttons to select CD, USB ,BT or FM mode, then press the TIMER (B13) button to confirm. The display will show "VOL#" and flash.
Press the Previous / Next Button (B4, B18) buttons to adjust the volume, and then press the TIMER button to confirm.
8. Press the TIMER (B13) button to select "Timer On", and the Timer is now set.
9. In standby mode, the Timer Icon will show on the display to indicate the Timer is On.

NOTE:

- 1.) If "Wake to CD, USB" is selected but a CD is not inserted, the alarm will default to the Beeping Alarm automatically when the alarm wake time is reached.
- 2.) For "Wake to Radio", the system will default to the last FM radio station listened to before switching off.
- 3.) The crescendo alarm will increase to the volume level you have set.

ACTIVE/DE-ACTIVE ALARM FUNCTION

1. To active ALARM, tap the TIMER (B13) Button once, and the alarm icon will show on LCD display.
2. Cancel the ALARM function by tapping on the TIMER (B13) Button again. The alarm icon will go off.

Wake to Radio, CD, USB or BUZZER Alarm

- When the alarm time is reached, the CD, USB or radio beeping alarm will sound for 60 minutes then shut off and reset itself for the following day (without pressing the snooze button).
- To stop the alarm immediately after it sounds, tap the POWER / STANDBY Button (A1,B1) on remote control or on main unit once. It resets itself for the following day.
- To cancel the following day alarm, tap the TIMER (B13) BUTTON once, ALARM icon goes off.

RADIO OPERATION

1. Tap the POWER / STANDBY Button (A1,B1) on main unit or remote control to turn on the unit.
2. Tap the SOURCE Button (A1, B11) on main unit or remote control to select FM mode, the FM radio frequency appear in display.
3. To manually tune to a specific radio station, tap the Track Down, Track up (A10, A11, B8, B18) on either main unit or remote control repeatedly. Use the manual tuning method to tune in weaker stations that are bypassed during Automatic Tuning.
4. To automatically tune to the next available radio station, press and hold the Track Down Button (A10, A11, B8, B18) on main unit or remote control for 1-2 seconds until frequency readout on the display begins to scan and then release the button. The tuner will stop scanning when it receives the next broadcasting station of adequate signal strength.
5. Press the volume control on main unit or remote control to adjust the volume control to the desired volume level.

FM / FM Stereo reception

When listening to the FM radio, press the ST./ MONO Button (B16) on remote control to switch between stereo mode and mono mode. The FM stereo icon "ST" will appear on the display if unit is in stereo mode. It is preferable to receive the program in mono when you are receiving a weak station.

HINTS FOR BEST RECEPTION:

FM - For best FM reception, the FM lead wire antenna located on the back of the unit should be fully unwrapped and extended.

NOTE: Automatic tuning depends on the signal strength of the broadcasting station, so weak stations may be skipped. You can manually tune to find the weak stations if a station gets skipped. With strong signals, the tuner may stop before it reaches the actual broadcast frequency, so you may need to manually tune for the best reception.

PRESET RADIO STATIONS

1. Press the POWER / STANDBY Button (A1,B1) on main unit or remote control to turn on the unit.
 2. Tap the SOURCE Button (A1, B11) on main unit or remote control to select FM radio mode.
 3. Press and hold tap the Track Down, Track up (A10, A11, B8, B18) button on main unit or remote control until frequency readout on the display begins to scan and then release the button for auto search and program preset channels. "PROG" appears in display and flashing. Auto searching and program will stop at P01 after scan finished, "PROG" shows in display steadily.
- Note: If the channels stored during the auto search & programmed preset are not ones you want saved, use the method below for the manually saving radio presets.
4. Tune to the desired radio station either by "manually" or "automatically" tuning method.
 5. Tap the PROG. (B3) on remote control, the next available preset memory number and a flashing PROG. (B3) icon will show in the LCD display. (Note: "P01" will show in the display if you are programming preset for first time)
 6. Tap the PRE. Button (B15, B19) on main unit or remote control to select the preset number you want to assign the station to.
 7. Tap the PROG. (B3) Button to confirm the setting.
 8. Repeat above steps 4 - 8 to preset up to 30 FM stations.

RECALLING PRESET MEMORY CHANNELS

In radio mode, recall the pre-set channels by pressing the PRE. Button (B15, B19) on remote control repeatedly.

CD PLAYER OPERATION

Note:

1. This CD player will not only play commercial CDs, but also self-compiled CD-R/RW,MP3 discs. Do not attempt to play CD-ROM, CDI, VCD, DVD or computer CDs.
 2. MP3 is a form of compression. It is an acronym which stands for MPEG Audio Layer 3. MP3 is a type of audio code which is processed by significant compression from the original audio source with very little loss in sound quality.
- This system supports MPEG 1 Layer 3 and VBR files.
 - During VBR file playback, time counter in the display may differ from its actual playback time.
 - Bitrate which is supported by MP3 is 32 ~ 320 kbps

PLEASE READ THIS IMPORTANT INFORMATION:

CD mechanisms used in devices like this are designed to read all commercial CDs. It will also read self-compiled CD-R/CD-RW,MP3 discs, but it may take up to 10 seconds for the actual playback to begin. If playback does not start, it is likely due to the quality of the CD-R/RW ,MP3 disc and/or the compatibility of the CD compilation software. The manufacturer is not responsible for the playback quality of CD-R/RW ,MP3 discs.

Do not attach a label or seal to either side of the CD-R/RW,MP3 disc. It may cause a malfunction.

PLAYING A CD

1. Press the POWER / STANDBY Button (A1,B1) on main unit or remote control to turn on the unit.
2. Tap the SOURCE Button (A1, B11) on remote control or main unit to select CD mode and then press the Open the disc compartment.
3. Place an audio CD on the center spindle with its label side facing out towards the CD DOOR. Close the disc compartment.
4. Unit starts to read the disc, "---" shows in display and flashing. After few seconds, the total number of tracks show one second and then total time of the CD will be shown on the LCD DISPLAY.
5. Press the PLAY / PAUSE (A9, B22) Button on main unit or remote control, PLAY indicator shows in display, the CD will start playing from first track.
6. Press the volume control Adjust the volume . on main unit or remote control to adjust to the desired volume level.
7. To pause playback, press the PLAY / PAUSE (A9, B22) Button on main unit or remote control. The track time will be paused and PAUSE indicator will show in display. To resume playing, press the CD PLAY / PAUSE (A9, B22) Button again.
8. You can choose to play your favorite track directly by pressing either the Track Down, Track up (A10, A11, B8, B18) . The LCD Display will indicate the correct track number selected.
9. To locate a particular section within a track, press and hold the Track Down, Track up (A10, A11, B8, B18) until the section is found. Release the button to continue playing your selection.
10. To stop playing, press the STOP (A8, B25) button.

PROCEDURE TO PLAYBACK MP3 DISC

To play back CD-R/RW,MP3

- 1 Press the SOURCE Button (A1, B11) on the remote control, and load an MP3 disc.
- 2 Press the FOLDER (B15, B19) button to select desired playback folder.
- 3 Select desired file to be played back by pressing the Track Down, Track up (A10, A11, B8, B18) Button.
- 4 Press the PLAY / PAUSE (A9, B22). Playback will start and file name will be displayed.

- s In case of playback with the folder mode on, press the FOLDER (B15, B19) button, and the folder can be selected even though it is in playback/pause mode. It will continue playback/pause mode in the 1st track of the selected folder.

TO PLAY BACK USB/MP3 PLAYER WITH FOLDER

1. Press the SOURCE Button (A1, B11) on the remote control or SOURCE Button (A1, B11) repeatedly on main unit to select USB function. Connect the USB memory device that has MP3 format files on the unit. When the USB memory is connected to the main unit, the device information will be displayed.
2. Press the FOLDER (B15, B19) button to select desired playback folder. To start playback with folder mode on, go to step .
3. Select desired file to be played back by pressing the Track Down, Track up (A10, A11, B8, B18) button.
4. Press the PLAY / PAUSE (A9, B22). Playback will start and the file name will be displayed.

NOTE:

- This product is not compatible with MTP and AAC file systems from USB mass storage device or MP3 player.
- This unit supports FAT16 and FAT32, but some USB storage media may not support both file systems. For details, refer to the operation manual of the USB storage device in question or contact the manufacturer.

SKIP AND SEARCH MODE

1. During Play or Pause mode, tap the Track Down, Track up (A10, A11, B8, B18) Button to go to the next track or go back to the beginning of the current track.
2. During playback, press and hold the Track Down, Track up (A10, A11, B8, B18) to search within the current track with audible high speed playback.

DIFFERENT PLAY MODES (REMOTE CONTROL ONLY)

Press the REPEAT Button (B6) on remote control repeatedly to select different of play modes when CD is playing.

When playing CD, the play modes are shown as below:

- Repeat
- Repeat All
- Normal

REPEAT 1 - the track being played and will repeat continuously. Repeat one icon "REPEAT 1" shows in display.

REPEAT ALL - all tracks will repeat continuously. Repeat All icon "REPEAT ALL" shows in display.

RANDOM PLAY

When the RANDOM (B20) button is pressed three, the "RDM" indicator will light in the LCD display. The tracks on the disc can be played in random order automatically.

To Cancel Random Play:

Press the RANDOM (B20) button again. "RDM" indicator will disappear.

NOTE:

If you press the button during random play, you can move to the track selected next by the random operation. On the other hand, the button does not allow you to move to the previous track. The beginning of the track being played will be located.

In random play, the unit will select and play tracks automatically. (You cannot select the order of the tracks.)

INTRO PLAYBACK

1. Press INTRO (B20) on the remote control. The " INTRO (B20) " indicator will show on the display. The unit will play the first 10 seconds of each track.
2. Press INTRO (B20) on the remote control again to resume normal playback.

PLAY TRACK SEQUENCE PROGRAMMING

This function allows the tracks to be played in a programmed sequence. User can program up to 32 tracks in CD mode or 99 tracks in MP3 in any

NOTE: Program can only be set in STOP mode.

1. Tap the PROG. Button (B3) on remote control, the program number "1" shows in display, "PROG" icon and CD track number "- -" also flashing in the LCD display. (Note: "1 --" will be in the display if you are programming first time).
2. Use the Track Down, Track up (A10, A11, B8, B18) on main unit or remote control to select the desired track. The track number will be shown in display.
3. Tap the PROG. Button (B3) on main unit or remote control to store the selected track in the memory, the next program number will advance one (i.e."2") in LCD display.
4. Repeat steps 2 to 3 to store more tracks in the memory. You can store up to CD 32 track,MP3 99 tracks. Display will show "FUL" after tracks have been programmed.
5. Tap the PLAY / PAUSE (A9, B22). on main unit or remote control to start playing the CD in the programmed sequence.
6. Press the REPEAT Button (B6) on remote control to select Repeat 1/All if necessary.
7. To stop playing, press the STOP Button (A8, B25) on main unit or remote control.

To cancel the program play, press the STOP Button (A8, B25) on main unit or remote control twice, "PROG" icon disappears from display.

BLUETOOTH OPERATION

Press the POWER / STANDBY Button (A1,B1) to turn ON the unit and follow the directions below to connect via Bluetooth.

PAIRING (Linking) a BLUETOOTH ENABLED cell phone OR OTHER BLUETOOTH ENABLED DEVICE to the Device

If the CR 1173 has never been paired with a Bluetooth device before. You need to follow the pairing instructions below to link the Device with your Bluetooth device.

1. Press the POWER / STANDBY Button (A1,B1) on main unit or remote control to turn on the unit.

2. Tap the SOURCE Button (A1, B11) on main or remote control to select Bluetooth mode, Bluetooth "bt" message appears in display and flashing.
3. If the CR 1173 has never been paired with a Bluetooth device before or cannot find the last paired device, the flashing "bt" on LCD will indicate the XXX is in search mode. You need to follow the pairing instructions below to link the Device with your Bluetooth device.
 - Turn on the Bluetooth function of your Bluetooth device and enable the search or scan function to find the CR 1173.
 - Select "CR 1173" from the device list when it appears on your device screen. If required, enter the pass code "0000" to pair (link) the CR 1173 with your device.
4. After successfully pairing (linking), display will change to show "bt" steadily, the Bluetooth icon also will show in display. You can begin playing music from your Bluetooth device wirelessly to the speaker.
5. After selecting your favorite song, press PLAY PAUSE (B22, A9) Button on the unit or remote control to play or pause the song.
6. Press the volume control on main unit or remote control to adjust to the desired volume level.
7. Press Track Down, Track up (B8, B9) Button on main unit or remote control to skip to previous or next song.
8. If you want to pair the Device with another Bluetooth enabled device, press and hold the PAIR (B10) Button for 3 seconds or turn off the Bluetooth function of device currently paired with Device then repeat step 3 above.

Notes:

- 1.) Refer to the manual of your cell phone, tablet PC, computer or other Bluetooth enabled devices for Bluetooth operation since it may vary from model to model.
- 2.) If your Bluetooth enabled device does not support A2DP profile, it will not play the music through the speaker, even if paired (linked).
- 3.) If you are pairing (linking) your computer to the unit using Bluetooth, you may need to set the speaker as your computer's default sound device.

AUXILIARY INPUT OPERATION

This unit features an auxiliary audio signal input jack for connecting external audio devices like MP3 players, Digital Audio Device and listen to them through the speakers of this unit.

1. Use an audio cable (not included) with one 3.5 mm stereo plug on each end of the cable.
2. Plug one end into the AUX IN JACK (A5) on main unit and the other end of the cable into the Line-out Jack or Headphone Jack of your external audio device.
3. Turn on the unit and external audio device.
4. Tap the SOURCE Button (A1, B11) on main or remote control to select AUX mode, "AUX" icon turns on, display shows "AUX" message.
5. The volume level can now be controlled through the main unit. Operate all other functions on the auxiliary device as usual.

Note:

- If you connect this unit to the Line-Out Jack of your external device then you only need to adjust the volume control of this unit. If you connect the Headphone Jack of your external device then you may need to adjust both the volume controls of your external device and this unit to obtain the desirable volume setting.

PRESET EQ (REMOTE CONTROL ONLY)

This unit provides 4 different EQ modes to enhance your listening experience. You can select the desired effect by pressing the EQ Button (B5) on remote control repeatedly at following sequence:

ROCK POP JAZZ CLASSIC OFF

MUTE BUTTON (REMOTE CONTROL ONLY)

- Press the MUTE Button (B21) on remote control to mute the sound output from the speaker temporarily. The "V 00" will appear in display.
- Press the MUTE Button (B21) again or VOLUME CONTROL (B23, A12) to resume the normal speaker playback.

SLEEP OPERATIONS (REMOTE CONTROL ONLY)

The sleep timer allows you to turn the unit off after a designated time is reached.

1. To activate the sleep timer, turn the unit on and tap the SOURCE Button (A1, B11) to select FM radio, CD, USB, Bluetooth or listening to music via AUX IN.
2. Tap the SLEEP button (B14) on remote control, the sleep time icon "SLEEP" appears on the display.
3. Repeatedly tap the SLEEP button (B14) to select a sleep time. The unit will turn off after 10, 20, 30, 40, 50, 60, 70, 80 or 90 minutes. Wait for 3 seconds after your selection for the unit to confirm the selection, the unit will play for the selected length of time then automatically turn off.
4. To cancel the sleep timer, tap the SLEEP button (B14) repeatedly until timer shows "OFF", the sleep time icon "SLEEP" disappears on the display
5. To turn the unit off before the selected length of time, press the POWER / STANDBY Button (A1,B1) at any time.

Notes:

- 1.) To check the remaining sleep time, tap the SLEEP button (B14) once.
- 2.) If you are falling asleep to music from an external device connected to the AUX input, the sleep timer will shut off the power to this system but it will not turn off the external device.

USING HEADPHONES (NOT INCLUDED)

Inserting the plug of your headphones into the Stereo Headphone Jack (A17) will enable you to listen to the CD or Radio music in private. When using headphones, the Built-in Speakers will be disconnected.

READ THIS IMPORTANT INFORMATION BEFORE USING YOUR HEADPHONES

1. Avoid extended play at very high volume as it may impair your hearing.
2. If you experience ringing in your ears, reduce the volume or shut off your unit.

3. Keep the volume at a reasonable level even if your headset is an open-air type designed to allow you to hear outside sounds. Please note that excessively high volume may still block outside sounds.

RESETTING

If the system does not respond or has erratic operation, you may have experienced an electrostatic discharge (ESD) or a power surge that triggered the internal computer to shut down automatically. If this occurs, unplug the AC cord from power source, wait for 60 seconds, then plug the AC cord to power source again. The unit will be reset, you need to setup the clock, alarm and preset radio channels.

CARE AND MAINTENANCE

1. Do not subject the unit to excessive force, shock, dust or extreme temperature (Above 40C).
2. Do not tamper the internal components of the unit.
3. Clean your unit with a dry cloth. Solvent or detergent should never be used.
4. Avoid leaving your unit in direct sunlight or in hot, humid or dusty places.
5. Keep your unit away from heating appliances and sources of electrical noise such as fluorescent lamps or motors.
6. If drop-outs or interruptions occur in the music during CD play, or if the CD fails to play at all, its bottom surface may require cleaning. Before playing, wipe the disc from the center outwards with a good soft cleaning cloth.

CLEANING THE UNIT

- To prevent fire or shock hazard, disconnect your unit from the AC power source when cleaning.
- The finish on the unit may be cleaned with a dust cloth and cared for as other furniture, Use caution when cleaning and wiping the plastic parts.
- If the cabinet becomes dusty wipe it with a soft dry dust cloth. Do not use any wax or polish sprays on the cabinet.
- If the front panel becomes dirty or smudged with fingerprints it may be cleaned with a soft cloth slightly dampened with a mild soap and water solution. Never use abrasive cloths or polishes as these will damage the finish of your unit.

CAUTION: Never allow any water or other liquids to get inside the unit while cleaning

Technical Data:

Power Requirements:

Main Unit: 230V ~ 50Hz

Remote: CR2025 3V

DISC player section

System: Compact disc and digital audio system Laser Diode Properties

Emission Duration: Continuous

Laser Output : Less than 44.6mW (This output is the value measurement at a distance of 200mm from the objective lens surface on the Optical Pick-up Block with 7mm aperture.)

Frequency Range

FM tuner section:

Tuning range: 87.5 MHz-108.0 MHz (50 kHz step.)

Speaker Power: 2x 5W

Max: 28W



To protect your environment: please separate carton boxes and plastic bags and dispose them in corresponding waste bins. Used appliance should be delivered to the dedicated collecting points due to hazardous components, which may effect the environment. Do not dispose this appliance in the common waste bin.

SICHERHEITSBEDINGUNGEN WICHTIGE HINWEISE ZUR SICHERHEIT DER VERWENDUNG BITTE SORGFÄLTIG DURCHLESEN UND AUFBEWAHREN

Die Garantiebedingungen sind unterschiedlich, wenn das Gerät zu gewerblichen Zwecken verwendet wird.

1. Bevor Sie das Produkt verwenden, lesen Sie es bitte sorgfältig und befolgen Sie die folgenden Anweisungen. Der Hersteller haftet nicht für Schäden aufgrund von Missbrauch.
2. Das Produkt darf nur in Innenräumen verwendet werden. Verwenden Sie das Produkt nicht für Zwecke, die nicht mit seiner Anwendung kompatibel sind.
3. Die anwendbare Spannung beträgt 230V, ~ 50Hz. Aus Sicherheitsgründen ist es nicht angebracht, mehrere Geräte an eine Steckdose anzuschließen.
4. Bitte seien Sie vorsichtig, wenn Sie mit Kindern arbeiten. Lassen Sie die Kinder nicht mit dem Produkt spielen. Lassen Sie Kinder oder Personen, die das Gerät nicht kennen, es nicht unbeaufsichtigt benutzen.
5. **WARNUNG:** Dieses Gerät darf von Kindern über 8 Jahren und Personen mit eingeschränkter körperlicher, sensorischer oder geistiger Leistungsfähigkeit oder von Personen ohne Erfahrung oder Kenntnis des Geräts nur unter Aufsicht einer für ihre Sicherheit verantwortlichen Person verwendet werden wenn sie über die sichere Verwendung des Geräts unterrichtet wurden und sich der Gefahren bewusst sind, die mit dem Betrieb des Geräts verbunden sind. Kinder sollten nicht mit dem Gerät spielen. Die Reinigung und Wartung des Geräts darf nicht von Kindern durchgeführt werden, es sei denn, sie sind über 8 Jahre alt und diese Aktivitäten werden unter Aufsicht durchgeführt.
6. Vergessen Sie nicht, den Stecker nach der Verwendung des Produkts vorsichtig aus der Steckdose zu ziehen, indem Sie die Steckdose mit der Hand halten. Niemals am Netzkabel ziehen !!!
7. Stecken Sie das Netzkabel, den Stecker oder das gesamte Gerät niemals ins Wasser. Setzen Sie das Produkt niemals den Witterungsbedingungen wie direktem Sonnenlicht oder Regen usw. aus. Verwenden Sie das Produkt niemals in feuchter Umgebung.
8. Überprüfen Sie regelmäßig den Zustand des Netzkabels. Wenn das Netzkabel beschädigt ist, sollte das Produkt zu einem professionellen Kundendienst gebracht werden, um es zu ersetzen, um gefährliche Situationen zu vermeiden.
9. Verwenden Sie das Produkt niemals mit einem beschädigten Netzkabel, wenn es heruntergefallen ist oder auf andere Weise beschädigt wurde oder nicht ordnungsgemäß funktioniert. Versuchen Sie nicht, das defekte Produkt selbst zu reparieren, da dies zu einem elektrischen Schlag führen kann. Schalten Sie das beschädigte Gerät immer an einem qualifizierten Servicestandort aus, um es zu reparieren. Alle Reparaturen können nur von autorisierten Servicefachkräften ausgeführt werden. Die falsch durchgeführte Reparatur kann zu gefährlichen Situationen für den Benutzer führen.
10. Stellen Sie das Produkt niemals auf oder in die Nähe von heißen oder warmen Oberflächen oder Küchengeräten wie dem Elektroherd oder dem Gasbrenner.
11. Verwenden Sie das Produkt niemals in der Nähe von brennbaren Stoffen.
12. Lassen Sie das Kabel nicht über die Kante der Theke hängen oder heiße Oberflächen berühren.
13. Lassen Sie das Produkt niemals unbeaufsichtigt an der Stromquelle an. Schalten Sie das Gerät auch dann aus, wenn der Betrieb kurzzeitig unterbrochen wird, und ziehen Sie den Netzstecker.
14. Um zusätzlichen Schutz zu gewährleisten, wird empfohlen, einen Fehlerstromschutzschalter (RCD) in den Stromkreis einzubauen, dessen Nennstrom nicht mehr als 30 mA beträgt. Wenden Sie sich in dieser Angelegenheit an einen Elektriker.
15. Vermeiden Sie, dass das Radio nass wird.

16. Das Radio darf nur mit einem trockenen Tuch abgewischt werden. Verwenden Sie kein Wasser oder Reinigungsflüssigkeiten.

17. Das Radio sollte in einem trockenen Raum aufbewahrt werden.

GERÄT:

1. STANDBY-ANZEIGE EIN- / AUSSCHALTEN
2. QUELLE
3. ZEITSET / SPEICHER-TASTE
4. TUNER CHANNEL -
5. AUX IN
6. USB
7. TUNER CHANNEL +
8. CD-STOP-TASTE / BLUETOOTH-PAAR-TASTE
9. CD / BLUETOOTH PLAY / PAUSE / RADIO AUTO SEARCH-TASTE
10. CD / BLUETOOTH SKIP PREVIOUS / TUNE - TASTE
11. CD / BLUETOOTH SKIP NEXT / TUNE + BUTTON
12. VOLUMENKONTROLLKNOPF
13. LCD-ANZEIGE
14. Taste zum Öffnen / Schließen der CD-Tür
15. CD-Tür
16. FM-ANTENNE
17. KOPFHÖRERBUCHSE
18. RECHTER LAUTSPRECHERANSCHLUSS
19. LINKER LAUTSPRECHERANSCHLUSS
20. DC-NETZADAPTER
21. TÜR DES BATTERIEABTEILS

FERNBEDIENUNG:

1. POWER ON / OFF STANDBY INDICATOR
2. DISC DIRECT SEARCH BUTTON
3. PROG . TASTE
4. CD / USB TRACK DOWN- ODER TIME DOWN-TASTE, TUNER DOWN-TASTE.
5. AUSGLEICHSTASTE
6. WIEDERHOLUNGSTASTE
7. X-BASS-TASTE
8. TRACK DOWN-TASTE
9. CD / BLUETOOTH PLAY / PAUSE / RADIO AUTO SEARCH-TASTE
10. CD / BLUETOOTH SKIP PREVIOUS / TUNE - TASTE
11. CD / BLUETOOTH SKIP NEXT / TUNE + BUTTON
12. UHR SET
13. LCD DISPLAY
14. CD TUR ÖFFNEN / SCHLIESSEN
15. CD DOOR
16. FM ANTENNE
17. HEADPHONE JACK
18. RECHTER LAUTSPRECHERANSCHLUSS
19. LINKER LAUTSPRECHERANSCHLUSS
20. ZUFÄLLIGE TASTE UND EINGABETASTE
21. TÜR DES BATTERIEABTEILS
22. BT PLAY / PAUSE-TASTE
23. VOLUM UP A DOWN-TASTE
24. CD-PLAY / PAUSE-TASTE
25. CD STOP-TASTE

SYSTEMANSCHLÜSSE

Stellen Sie sicher, dass das Netzkabel aus der Steckdose gezogen ist, bevor Sie Verbindungen herstellen.

Wechselstromanschluss

Stecken Sie das Netzkabel in eine verfügbare 230V ~ 50Hz Wechselstromsteckdose. Stellen Sie sicher, dass der Stecker fest in der Steckdose steckt.

Einlegen der Batterien für die Batteriesicherung

1. Entfernen Sie die Batteriefachabdeckung an der Unterseite des Hauptgeräts.
2. Befolgen Sie die Polaritätsmarkierungen im Batteriefach und legen Sie 2 x AAA-Batterien (nicht im Lieferumfang enthalten) in die beiden Batteriefächer im Batteriefach ein.
3. Setzen Sie das Batteriefach wieder ein.

ANMERKUNGEN:

- Ziehen Sie beim Ersetzen der Pufferbatterien das Netzkabel nicht aus der Steckdose. In diesem Fall werden alle aktuellen Einstellungen für Datum, Uhrzeit und Alarm gelöscht.
- Wenn das Gerät längere Zeit nicht angeschlossen ist, entfernen Sie die Batterien, um Schäden zu vermeiden, die auftreten können, wenn die Batterien auslaufen und Korrosion verursachen.

Fernbedienung

Die Fernbedienung wird mit einer 3-V-Lithiumbatterie CR2025 (in der Fernbedienung enthalten) betrieben. Entfernen Sie zum Aktivieren der Fernbedienung die Isolatorlasche im Batteriefach.

Wenn die Fernbedienung zeitweise oder unbefriedigend wird, ersetzen Sie die Originalbatterie durch eine neue 3-V-Lithiumbatterie Cr2025.

1. Drücken Sie auf den Fachdeckel und schieben Sie den Batteriehalter aus dem Fernbedienungsgehäuse.
2. Tauschen Sie den Akku aus und stellen Sie sicher, dass der Akku richtig eingelegt ist. Die Fernbedienung funktioniert nicht, wenn der Akku mit der falschen Polarität installiert ist.

VORSICHT:

- 1.) Explosionsgefahr bei falschem Batteriewechsel.
- 2.) Nur durch dieselbe oder eine gleichwertige Batterie ersetzen.
- 3.) Setzen Sie den Batteriehalter wieder in den Batteriefach ein.

EIN- / AUSSCHALTEN DES GERÄTS

1. Tippen Sie im Aus-Modus (Standby-Modus) auf die POWER / STANDBY-Taste (A1, B1) am Hauptgerät oder an der Fernbedienung, um das Gerät einzuschalten. Das Gerät schaltet sich ein und das zuletzt ausgewählte Eingabemodus-Symbol wird auf dem LCD-Display angezeigt.

2. Um das Gerät auszuschalten (Standby), tippen Sie erneut auf die Power On POWER / STANDBY-Taste (A1, B1) am Hauptgerät oder an der Fernbedienung. Das LCD-DISPLAY wird dunkel und zeigt die aktuelle Uhrzeit an. Die Standby-Modus-Anzeige leuchtet.

UHR EINSTELLEN

Nach dem Anschließen der Wechselstromversorgung erscheint „00:00“ und beginnt auf dem LCD-Display zu blinken.

1. Halten Sie im Ausschaltmodus (Standby) die CLOCK SET-Taste (B13) auf der Fernbedienung oder dem Hauptgerät gedrückt. Das 24-

Stunden-Format „24H“ wird im Display angezeigt.

2. Tippen Sie auf die Schaltfläche Zurück / Weiter (B4, B18) auf der Fernbedienung oder dem Hauptgerät, um bei Bedarf das 24-Stunden-Format auszuwählen. Andernfalls drücken Sie die CLOCK SET (B12) -Taste, um das 12-Stunden-Format zu bestätigen und den Uhren-Setup-Modus aufzurufen. Die Stundenziffern blinken.

3. Tippen Sie auf die Schaltfläche Zurück / Weiter (B4, B18) auf der Fernbedienung oder dem Hauptgerät, um die Stunde einzustellen.

Halten Sie die Taste gedrückt, um schnell vor- und rückwärts einzustellen.

Hinweis: Stellen Sie sicher, dass die Stunde so eingestellt ist, dass die PM-Anzeige korrekt angezeigt wird.

4. Drücken Sie die Taste CLOCK SET (B12) auf der Fernbedienung, um die Stundeneinstellung zu bestätigen. Die Minutenziffern blinken, um zur Eingabe aufzufordern.

5. Tippen Sie auf die Schaltfläche Zurück / Weiter (B4, B18) auf der Fernbedienung oder dem Hauptgerät, um die Minute einzustellen.

Halten Sie die Taste gedrückt, um schnell vor- und rückwärts einzustellen.

6. Drücken Sie erneut die Taste CLOCK SET (B12) auf der Fernbedienung, um die Einstellung abzuschließen.

HINWEIS: Die Voreinstellungen für Uhr und Radiosender müssen zurückgesetzt werden, wenn die Stromversorgung unterbrochen wird oder wenn ein Stromausfall auftritt. Auf dem LCD-Display wird „00:00“ angezeigt und beginnt zu blinken, um Sie darüber zu informieren, dass die Stromversorgung unterbrochen wurde und die Uhr zurückgesetzt werden muss. Bitte befolgen Sie die obigen Schritte 1-6, um die Uhr zurückzusetzen.

UHR PRÜFEN

Das Gerät zeigt die aktuelle Zeit im Standby-Modus an. Um die aktuelle Uhrzeit im Einschaltmodus zu überprüfen, halten Sie die Taste CLOCK SET (B12) am Hauptgerät oder an der Fernbedienung 3 Sekunden lang gedrückt. Die aktuelle Uhrzeit wird 5 Sekunden lang angezeigt und kehrt dann zum vorherigen Bildschirm zurück.

ALARMBETRIEB (NUR FERNBEDIENUNG)

EINSTELLEN DER ALARMUHR

Diese Funktion ermöglicht es dem System, sich automatisch einzuschalten und Sie mit einem Piepton zu wecken, der CD, USB oder BU das RADIO.

1. Halten Sie die TIMER-Taste (B13) auf der Fernbedienung gedrückt, bis auf dem Display „Ein“ angezeigt wird und die Stundenziffern blinken.

2. Drücken Sie die Tasten Zurück / Weiter (B4, B18), um die Stundenziffern anzupassen, und drücken Sie dann zur Bestätigung die Taste TIMER. Die Minutenziffern blinken auf dem Display.

3. Drücken Sie die Tasten Zurück / Weiter (B4, B18), um die Minuten einzustellen, und drücken Sie dann zur Bestätigung die Taste TIMER (B13).

4. Wenn die vorherige / nächste Taste (B4, B18) auf Timer Clock eingestellt ist, zeigt das Display „OFF“ an und die Stundenziffern blinken.

5. Drücken Sie die Tasten Zurück / Weiter (B4, B18), um die Stundenziffern anzupassen, und drücken Sie dann zur Bestätigung die Taste TIMER (B13). Die Minutenziffern blinken auf dem Display.

6. Drücken Sie die Tasten Zurück / Weiter (B4, B18) auf der Fernbedienung, um die Minuten einzustellen, und drücken Sie dann zur Bestätigung die Taste TIMER.

7. Drücken Sie die Tasten, um den CD-, USB-, BT- oder FM-Modus auszuwählen, und drücken Sie dann zur Bestätigung die TIMER-Taste (B13). Das Display zeigt "VOL #" und blinkt.

Drücken Sie die Tasten Zurück / Weiter (B4, B18), um die Lautstärke einzustellen, und drücken Sie dann zur Bestätigung die Taste TIMER.

8. Drücken Sie die Taste TIMER (B13), um "Timer ein" auszuwählen. Der Timer ist jetzt einstellen.

9. Im Standby-Modus wird das Timer-Symbol auf dem Display angezeigt, um anzuzeigen, dass der Timer eingeschaltet ist.

HINWEIS:

1.) Wenn „Auf CD wecken, USB“ ausgewählt ist, aber keine CD eingelegt ist, wird der Alarm standardmäßig automatisch auf den Alarmton piepen eingestellt, wenn die Weckzeit des Alarms erreicht ist.

2.) Für „Wake to Radio“ wählt das System standardmäßig den zuletzt FM-Radiosender, der vor dem Ausschalten gehört wurde.

3.) Der Crescendo-Alarm erhöht sich auf die von Ihnen eingestellte Lautstärke.

AKTIVE / DEAKTIVE ALARMFUNKTION

1. Um ALARM zu aktivieren, tippen Sie einmal auf die TIMER-Taste (B13). Das Alarmsymbol wird auf dem LCD-Display angezeigt.

2. Brechen Sie die ALARM-Funktion ab, indem Sie erneut auf die TIMER-Taste (B13) tippen. Das Alarmsymbol erlischt.

Aktivieren Sie den Radio-, CD-, USB- oder Summer-Alarm

· Wenn die Alarmzeit erreicht ist, ertönt 60 Minuten lang ein CD-, USB- oder Radio-Piepton, der sich dann ausschaltet und für den nächsten Tag zurücksetzt (ohne die Schlummertaste zu drücken).

· Um den Alarm sofort nach dem Ertönen zu stoppen, tippen Sie einmal auf die POWER / STANDBY-Taste (A1, B1) auf der Fernbedienung oder am Hauptgerät. Es setzt sich für den nächsten Tag zurück.

· Um den Alarm am nächsten Tag abzubrechen, tippen Sie einmal auf die Taste TIMER (B13). Das Symbol ALARM erlischt.

FUNKBETRIEB

1. Tippen Sie auf die POWER / STANDBY-Taste (A1, B1) am Hauptgerät oder an der Fernbedienung, um das Gerät einzuschalten.

2. Tippen Sie auf die SOURCE-Taste (A1, B11) am Hauptgerät oder an der Fernbedienung, um den FM-Modus auszuwählen. Die FM-Radiofrequenz wird im Display angezeigt.

3. Um einen bestimmten Radiosender manuell einzustellen, tippen Sie wiederholt auf Track Down, Track Up (A10, A11, B8, B18) auf dem Hauptgerät oder der Fernbedienung. Verwenden Sie die manuelle Abstimmungsmethode, um schwächere Sender einzustellen, die während der automatischen Abstimmung umgangen werden.

4. Um automatisch zum nächsten verfügbaren Radiosender zu wechseln, halten Sie die Track-Down-Taste (A10, A11, B8, B18) am Hauptgerät oder an der Fernbedienung 1-2 Sekunden lang gedrückt, bis die Frequenzanzeige auf dem Display zu scannen beginnt, und dann lass den Knopf los. Der Tuner stoppt den Scanvorgang, wenn er den nächsten Sender mit ausreichender Signalstärke empfängt.

5. Drücken Sie den Lautstärkereger am Hauptgerät oder an der Fernbedienung, um den Lautstärkereger auf den gewünschten Lautstärkepegel einzustellen.

FM / FM Stereo-Empfang

Drücken Sie beim Hören von UKW-Radio die ST./ MONO-Taste (B16) auf der Fernbedienung, um zwischen Stereomodus und Monomodus zu wechseln. Das FM-Stereosymbol „ST“ erscheint auf dem Display, wenn sich das Gerät im Stereomodus befindet. Es ist vorzuziehen,

das Programm in Mono zu empfangen, wenn Sie einen schwachen Sender empfangen.

TIPPS FÜR DEN BESTEN EMPFANG:

FM - Für einen optimalen FM-Empfang befindet sich die FM-Anschlusskabelantenne auf der Rückseite des Geräts sollte vollständig ausgepackt und verlängert werden.

HINWEIS: Die automatische Abstimmung hängt von der Signalstärke des Senders ab, sodass schwache Sender möglicherweise übersprungen werden. Sie können manuell einstellen, um die schwachen Sender zu finden, wenn ein Sender übersprungen wird. Bei starken Signalen stoppt der Tuner möglicherweise, bevor er die tatsächliche Sendefrequenz erreicht. Daher müssen Sie möglicherweise manuell einstellen, um den besten Empfang zu erzielen.

VORGESTELLTE FUNKSTATIONEN

1. Drücken Sie die POWER / STANDBY-Taste (A1, B1) am Hauptgerät oder an der Fernbedienung, um das Gerät einzuschalten.
2. Tippen Sie auf die SOURCE-Taste (A1, B11) am Hauptgerät oder an der Fernbedienung, um den FM-Radiomodus auszuwählen.
3. Halten Sie die Taste Track Down, Track Up (A10, A11, B8, B18) am Hauptgerät oder an der Fernbedienung gedrückt, bis die Frequenzanzeige auf dem Display zu scannen beginnt, und lassen Sie dann die Taste für die automatische Suche und das Programmieren voreingestellter Kanäle los. Im Display erscheint „PROG“ und blinkt. Die automatische Suche und das Programm werden nach Abschluss des Scanvorgangs bei P01 gestoppt. „PROG“ wird ständig im Display angezeigt.
Hinweis: Wenn die während der automatischen Suche und der programmierten Voreinstellung gespeicherten Kanäle nicht die Kanäle sind, die Sie speichern möchten, verwenden Sie die folgende Methode zum manuellen Speichern von Radio-Voreinstellungen.
4. Stellen Sie den gewünschten Radiosender entweder manuell oder automatisch ein.
5. Tippen Sie auf PROG . (B3) auf der Fernbedienung die nächste verfügbare voreingestellte Speichernummer und ein blinkendes PROG . Das Symbol (B3) wird im LCD-Display angezeigt. (Hinweis: "P01" wird im Display angezeigt, wenn Sie zum ersten Mal eine Voreinstellung programmieren.)
6. Tippen Sie auf PRE. Taste (B15, B19) am Hauptgerät oder an der Fernbedienung, um die voreingestellte Nummer auszuwählen, der Sie den Sender zuweisen möchten.
7. Tippen Sie auf PROG . (B3) Taste zur Bestätigung der Einstellung.
8. Wiederholen Sie die obigen Schritte 4 bis 8, um bis zu 30 UKW-Sender einzustellen.

Rückruf von voreingestellten Speicherkanälen

Rufen Sie im Radiomodus die voreingestellten Kanäle auf, indem Sie PRE drücken. Taste (B15, B19) auf der Fernbedienung wiederholt. CD-SPIELER-BETRIEB

Hinweis:

1. Dieser CD-Player spielt nicht nur kommerzielle CDs ab, sondern auch selbst kompilierte CD-R / RW- und MP3-Discs. Versuchen Sie nicht, CD-ROM-, CDI-, VCD-, DVD- oder Computer-CDs abzuspielen .
2. MP3 ist eine Form der Komprimierung. Es ist ein Akronym, das für MPEG Audio Layer 3 steht. MP3 ist eine Art Audiocode, der durch signifikante Komprimierung der ursprünglichen Audioquelle mit sehr geringem Verlust an Klangqualität verarbeitet wird.
 - Dieses System unterstützt MPEG 1 Layer 3- und VBR- Dateien.
 - Während der Wiedergabe von VBR- Dateien kann der Zeitzähler im Display von der tatsächlichen Wiedergabezeit abweichen.
 - Die von MP3 unterstützte Bitrate beträgt 32 bis 320 kbit / s

BITTE LESEN SIE DIESE WICHTIGEN INFORMATIONEN:

CD-Mechanismen, die in solchen Geräten verwendet werden, dienen zum Lesen aller kommerziellen CDs. Es werden auch selbst kompilierte CD-R / CD-RW- und MP3-Discs gelesen. Es kann jedoch bis zu 10 Sekunden dauern, bis die eigentliche Wiedergabe beginnt. Wenn die Wiedergabe nicht startet, liegt dies wahrscheinlich an der Qualität der CD-R / RW , MP3-Disc und / oder der Kompatibilität der CD-Kompilierungssoftware. Der Hersteller ist nicht verantwortlich für die Wiedergabequalität von CD-R / RW- und MP3-Discs. Bringen Sie kein Etikett oder Siegel an beiden Seiten der CD-R / RW, MP3-Disc an. Dies kann zu Fehlfunktionen führen.

Eine CD abspielen

1. Drücken Sie die POWER / STANDBY-Taste (A1, B1) am Hauptgerät oder an der Fernbedienung, um das Gerät einzuschalten.
2. Tippen Sie auf die SOURCE-Taste (A1, B11) auf der Fernbedienung oder dem Hauptgerät, um den CD-Modus auszuwählen, und drücken Sie dann auf Öffnen Sie das Disc-Fach.
3. Legen Sie eine Audio-CD mit der Etikettenseite nach außen zur CD-TÜR auf die mittlere Spindel. Schließen Sie das Disc-Fach.
4. Das Gerät beginnt mit dem Lesen der Disc. "----" wird im Display angezeigt und blinkt. Nach einigen Sekunden wird die Gesamtzahl der Titel eine Sekunde angezeigt, und dann wird die Gesamtzeit der CD auf dem LCD-DISPLAY angezeigt.
5. Drücken Sie die Taste PLAY / PAUSE (A9, B22) am Hauptgerät oder an der Fernbedienung. Die Anzeige PLAY wird im Display angezeigt. Die CD wird ab dem ersten Titel abgespielt.
6. Drücken Sie den Lautstärkeregler. Stellen Sie die Lautstärke ein. am Hauptgerät oder an der Fernbedienung, um die gewünschte Lautstärke einzustellen.
7. Um die Wiedergabe anzuhalten, drücken Sie die Taste PLAY / PAUSE (A9, B22) am Hauptgerät oder an der Fernbedienung. Die Track-Zeit wird angehalten und die PAUSE-Anzeige wird im Display angezeigt. Um die Wiedergabe fortzusetzen, drücken Sie erneut die Taste CD PLAY / PAUSE (A9, B22).
8. Sie können Ihren Lieblingstitel direkt abspielen, indem Sie entweder Track Down oder Track Up (A10, A11, B8, B18) drücken. Das LCD-Display zeigt die richtige ausgewählte Titelnummer an.
9. Um einen bestimmten Abschnitt innerhalb einer Spur zu suchen, halten Sie die Spur nach unten und nach oben (A10, A11, B8, B18) gedrückt, bis der Abschnitt gefunden wurde. Lassen Sie die Taste los, um Ihre Auswahl fortzusetzen.
10. Um die Wiedergabe zu beenden, drücken Sie die STOP-Taste (A8, B25).

VERFAHREN ZUM SPIELEN DER MP3-DISC

Wiedergabe von CD-R / RW, Mp3

- 1 Drücken Sie die SOURCE-Taste (A1, B11) auf der Fernbedienung und legen Sie eine MP3-Disc ein.
- 2 Drücken Sie die Taste ORDNER (B15, B19), um den gewünschten Wiedergabeordner auszuwählen.
- 3 Wählen Sie die gewünschte Datei für die Wiedergabe aus, indem Sie die Taste Track Down, Track Up (A10, A11, B8, B18) drücken.
- 4 Drücken Sie PLAY / PAUSE (A9, B22). Die Wiedergabe wird gestartet und der Dateiname wird angezeigt.
- 5 Drücken Sie bei der Wiedergabe bei aktiviertem Ordnermodus die Taste ORDNER (B15, B19), und der Ordner kann ausgewählt werden,

obwohl er sich im Wiedergabe- / Pausenmodus befindet. Der Wiedergabe- / Pausenmodus wird im ersten Titel des ausgewählten Ordners fortgesetzt.

USB / MP3-Player mit Ordner zurückspielen

1. Drücken Sie wiederholt die SOURCE-Taste (A1, B11) auf der Fernbedienung oder die SOURCE-Taste (A1, B11) am Hauptgerät, um die USB-Funktion auszuwählen. Schließen Sie das USB-Speichergerät an, auf dem sich Dateien im MP3-Format befinden. Wenn der USB-Speicher an das Hauptgerät angeschlossen ist, werden die Geräteinformationen angezeigt.
2. Drücken Sie die ORDNER-Taste (B15, B19), um den gewünschten Wiedergabeordner auszuwählen. Fahren Sie mit Schritt fort, um die Wiedergabe im aktivierten Ordnermodus zu starten.
3. Wählen Sie die gewünschte Datei für die Wiedergabe aus, indem Sie die Taste Track Down, Track Up (A10, A11, B8, B18) drücken.
4. Drücken Sie PLAY / PAUSE (A9, B22). Die Wiedergabe wird gestartet und der Dateiname wird angezeigt.

HINWEIS:

- Dieses Produkt ist nicht mit MTP- und AAC- Dateisystemen von einem USB-Massenspeichergerät oder MP3-Player kompatibel .
- Dieses Gerät unterstützt FAT16 und FAT32, einige USB-Speichermedien unterstützen jedoch möglicherweise nicht beide Dateisysteme. Einzelheiten finden Sie in der Bedienungsanleitung des betreffenden USB-Speichergeräts oder wenden Sie sich an den Hersteller.

SKIP- UND SUCHMODUS

1. Tippen Sie im Wiedergabe- oder Pausenmodus auf die Schaltfläche Track Down, Track Up (A10, A11, B8, B18), um zum nächsten Titel oder zum Anfang des aktuellen Titels zurückzukehren.
2. Halten Sie während der Wiedergabe die Taste Track Down, Track Up (A10, A11, B8, B18) gedrückt, um innerhalb des aktuellen Titels mit hörbarer Hochgeschwindigkeitswiedergabe zu suchen.

VERSCHIEDENE SPIELMODI (NUR FERNBEDIENUNG)

Drücken Sie wiederholt die REPEAT-Taste (B6) auf der Fernbedienung, um während der CD-Wiedergabe verschiedene Wiedergabemodi auszuwählen.

Beim Abspielen von CD werden die Wiedergabemodi wie folgt angezeigt:

- Wiederholen
- Wiederhole alles
- Normal

REPEAT 1 - Der Titel wird gerade abgespielt und wiederholt sich kontinuierlich. Wiederholen Sie ein Symbol, das im Display angezeigt wird.

REPEAT ALL - Alle Tracks werden kontinuierlich wiederholt. Das Symbol "Alle wiederholen" im Display wird angezeigt.

ZUFÄLLIGES SPIEL

Wenn die Taste RANDOM (B20) drei Mal gedrückt wird, leuchtet die Anzeige „ RDM “ im LCD-Display. Die Titel auf der Disc können automatisch in zufälliger Reihenfolge abgespielt werden.

So brechen Sie das zufällige Spiel ab:

Drücken Sie erneut die Taste RANDOM (B20). Die Anzeige „ RDM “ verschwindet.

HINWEIS:

Wenn Sie während der zufälligen Wiedergabe die Taste drücken, können Sie zu dem Titel wechseln, der durch die zufällige Operation als nächstes ausgewählt wurde. Auf der anderen Seite können Sie mit der Schaltfläche nicht zum vorherigen Titel wechseln. Der Anfang des abgespielten Titels befindet sich.

Bei der zufälligen Wiedergabe wählt das Gerät Titel automatisch aus und spielt sie ab. (Sie können die Reihenfolge der Titel nicht auswählen.)

INTRO PLAYBACK

1. Drücken Sie INTRO (B20) auf der Fernbedienung. Die Anzeige „INTRO (B20)“ wird auf dem Display angezeigt. Das Gerät spielt die ersten 10 Sekunden jedes Titels ab.

2. Drücken Sie erneut INTRO (B20) auf der Fernbedienung, um die normale Wiedergabe fortzusetzen.

SPIEL-SEQUENZ-PROGRAMMIERUNG SPIELEN

Mit dieser Funktion können die Titel in einer programmierten Reihenfolge abgespielt werden. Der Benutzer kann bis zu 32 Titel im CD-Modus oder 99 Titel in MP3 programmieren

HINWEIS: Das Programm kann nur im STOP-Modus eingestellt werden.

1. Tippen Sie auf PROG . Taste (B3) auf der Fernbedienung, die Programmnummer „1“ wird im Display angezeigt, das Symbol „ PROG “ und die CD- Titelnummer „-“ blinken ebenfalls im LCD-Display. (Hinweis: "1 -" wird im Display angezeigt, wenn Sie zum ersten Mal programmieren.)

2. Verwenden Sie Track Down, Track Up (A10, A11, B8, B18) am Hauptgerät oder an der Fernbedienung, um den gewünschten Track auszuwählen. Die Titelnnummer wird im Display angezeigt.

3. Tippen Sie auf PROG . Taste (B3) am Hauptgerät oder an der Fernbedienung zum Speichern des ausgewählten Titels im Speicher. Die nächste Programmnummer stellt eine (dh „2“) im LCD-Display vor.

4. Wiederholen Sie die Schritte 2 bis 3, um weitere Titel im Speicher zu speichern. Sie können bis zu CD 32-Titel und MP3 99-Titel speichern. Das Display zeigt „FUL“ an, nachdem die Tracks programmiert wurden.

5. Tippen Sie auf PLAY / PAUSE (A9, B22), auf dem Hauptgerät oder der Fernbedienung, um die CD in der programmierten Reihenfolge abzuspielen.

6. Drücken Sie die REPEAT-Taste (B6) auf der Fernbedienung, um bei Bedarf Repeat 1 / All auszuwählen.

7. Um die Wiedergabe zu beenden, drücken Sie die STOP-Taste (A8, B25) am Hauptgerät oder an der Fernbedienung.

Um die Programmwiedergabe abubrechen, drücken Sie zweimal die STOP-Taste (A8, B25) am Hauptgerät oder an der Fernbedienung. Das Symbol „ PROG “ verschwindet aus der Anzeige.

BLUETOOTH-BETRIEB

Drücken Sie die POWER / STANDBY-Taste (A1, B1), um das Gerät einzuschalten, und befolgen Sie die nachstehenden Anweisungen, um eine Verbindung über Bluetooth herzustellen.

PAIREN (Verknüpfen) eines BLUETOOTH-AKTIVIERTEN Mobiltelefons oder eines anderen BLUETOOTH-AKTIVIERTEN GERÄTS mit dem Gerät

Wenn der CR 1173 noch nie mit einem Bluetooth-Gerät gekoppelt wurde. Sie müssen die folgenden Pairing-Anweisungen befolgen, um das Gerät mit Ihrem Bluetooth-Gerät zu verbinden.

1. Drücken Sie die POWER / STANDBY-Taste (A1, B1) am Hauptgerät oder an der Fernbedienung, um das Gerät einzuschalten.
 2. Tippen Sie auf die SOURCE-Taste (A1, B11) auf der Haupt- oder Fernbedienung, um den Bluetooth-Modus auszuwählen. Die Bluetooth-Meldung „bt“ wird im Display angezeigt und blinkt.
 3. Wenn der CR 1173 noch nie mit einem Bluetooth-Gerät gekoppelt wurde oder das zuletzt gekoppelte Gerät nicht finden kann, zeigt das blinkende „bt“ auf dem LCD an, dass sich das XXX im Suchmodus befindet. Sie müssen die folgenden Pairing-Anweisungen befolgen, um das Gerät mit Ihrem Bluetooth-Gerät zu verbinden.
 - Schalten Sie die Bluetooth-Funktion Ihres Bluetooth-Geräts ein und aktivieren Sie die Such- oder Scanfunktion, um den CR 1173 zu finden.
 - Wählen Sie "CR 1173" aus der Geräteliste, wenn es auf Ihrem Gerätebildschirm angezeigt wird. Geben Sie bei Bedarf den Passcode „0000“ ein, um den CR 1173 mit Ihrem Gerät zu koppeln (zu verknüpfen).
 4. Nach erfolgreichem Pairing (Verknüpfen) ändert sich die Anzeige und zeigt ständig „bt“ an. Das Bluetooth-Symbol wird auch im Display angezeigt. Sie können Musik von Ihrem Bluetooth-Gerät drahtlos über den Lautsprecher abspielen.
 5. Drücken Sie nach Auswahl Ihres Lieblingssongs die Taste PLAY PAUSE (B22, A9) auf dem Gerät oder der Fernbedienung, um den Song abzuspielen oder anzuhalten.
 6. Drücken Sie den Lautstärkeregler am Hauptgerät oder an der Fernbedienung, um den gewünschten Lautstärkepegel einzustellen.
 7. Drücken Sie die Taste Track Down, Track Up (B8, B9) am Hauptgerät oder an der Fernbedienung, um zum vorherigen oder nächsten Titel zu springen.
 8. Wenn Sie das Gerät mit einem anderen Bluetooth-fähigen Gerät koppeln möchten, halten Sie die PAIR (B10) -Taste 3 Sekunden lang gedrückt oder deaktivieren Sie die Bluetooth-Funktion des aktuell mit dem Gerät gekoppelten Geräts. Wiederholen Sie dann Schritt 3 oben.
- Anmerkungen:

- 1.) Informationen zum Bluetooth-Betrieb finden Sie im Handbuch Ihres Mobiltelefons, Tablet-PCs, Computers oder anderer Bluetooth-fähiger Geräte, da diese von Modell zu Modell variieren können.
- 2.) Wenn Ihr Bluetooth-fähiges Gerät das A2DP-Profil nicht unterstützt, wird die Musik nicht über den Lautsprecher abgespielt, selbst wenn sie gekoppelt (verbunden) ist.
- 3.) Wenn Sie Ihren Computer über Bluetooth mit dem Gerät koppeln (verbinden), müssen Sie möglicherweise den Lautsprecher als Standard-Audiogerät Ihres Computers einstellen.

ZUSÄTZLICHER EINGANGSBETRIEB

Dieses Gerät verfügt über eine zusätzliche Audiosignaleingangsbuchse, über die externe Audiogeräte wie MP3-Player und digitale Audiogeräte angeschlossen und über die Lautsprecher dieses Geräts wiedergegeben werden können.

1. Verwenden Sie ein Audiokabel (nicht im Lieferumfang enthalten) mit einem 3,5-mm-Stereostecker an jedem Ende des Kabels.
 2. Stecken Sie ein Ende in die AUX IN JACK (A5) am Hauptgerät und das andere Ende des Kabels in die Line-Out-Buchse oder die Kopfhörerbuchse Ihres externen Audiogeräts.
 3. Schalten Sie das Gerät und das externe Audiogerät ein.
 4. Tippen Sie auf die SOURCE-Taste (A1, B11) auf der Haupt- oder Fernbedienung, um den AUX-Modus auszuwählen. Das Symbol „AUX“ leuchtet auf und das Display zeigt die Meldung „AUX“ an.
 5. Der Lautstärkepegel kann jetzt über das Hauptgerät gesteuert werden. Bedienen Sie alle anderen Funktionen des Zusatzgeräts wie gewohnt.
- Hinweis :
- Wenn Sie dieses Gerät an die Line-Out-Buchse Ihres externen Geräts anschließen, müssen Sie nur den Lautstärkeregler dieses Geräts einstellen. Wenn Sie die Kopfhörerbuchse Ihres externen Geräts anschließen, müssen Sie möglicherweise sowohl die Lautstärkeregler Ihres externen Geräts als auch dieses Geräts anpassen, um die gewünschte Lautstärkeeinstellung zu erhalten.
- PRESET EQ (NUR FERNBEDIENUNG)
- Dieses Gerät bietet 4 verschiedene EQ-Modi, um Ihr Hörerlebnis zu verbessern. Sie können den gewünschten Effekt auswählen, indem Sie die EQ-Taste (B5) auf der Fernbedienung wiederholt in der folgenden Reihenfolge drücken:

ROCK POP JAZZ CLASSIC OFF

MUTE-TASTE (NUR FERNBEDIENUNG)

- Drücken Sie die MUTE-Taste (B21) auf der Fernbedienung, um die Tonausgabe vom Lautsprecher vorübergehend stummzuschalten. Das „V 00“ erscheint im Display.
- Drücken Sie erneut die MUTE-Taste (B21) oder die VOLUME CONTROL (B23, A12), um die normale Lautsprecherwiedergabe fortzusetzen.

SCHLAFBETRIEB (NUR FERNBEDIENUNG)

Mit dem Sleep-Timer können Sie das Gerät nach Erreichen einer festgelegten Zeit ausschalten.

1. Um den Sleep-Timer zu aktivieren, schalten Sie das Gerät ein und tippen Sie auf die SOURCE-Taste (A1, B11), um FM-Radio, CD, USB, Bluetooth auszuwählen oder Musik über AUX IN zu hören.
2. Tippen Sie auf der Fernbedienung auf die Taste SLEEP (B14). Das Symbol für die Ruhezeit „SLEEP“ wird im Display angezeigt.
3. Tippen Sie wiederholt auf die SLEEP-Taste (B14), um eine Ruhezeit auszuwählen. Das Gerät schaltet sich nach 10, 20, 30, 40, 50, 60, 70, 80 oder 90 Minuten aus. Warten Sie nach Ihrer Auswahl 3 Sekunden, bis das Gerät die Auswahl bestätigt hat. Das Gerät spielt für die ausgewählte Zeitspanne und schaltet sich dann automatisch aus.
4. Um den Sleep-Timer abzubrechen, tippen Sie wiederholt auf die SLEEP-Taste (B14), bis der Timer „OFF“ anzeigt. Das Sleep-Time-Symbol „SLEEP“ verschwindet auf dem Display.
5. Um das Gerät vor der ausgewählten Zeitspanne auszuschalten, drücken Sie jederzeit die POWER / STANDBY-Taste (A1, B1).

Anmerkungen:

- 1.) Um die verbleibende Schlafzeit zu überprüfen, tippen Sie einmal auf die SLEEP-Taste (B14).
- 2.) Wenn Sie bei Musik von einem externen Gerät einschlafen, das an den AUX-Eingang angeschlossen ist, schaltet der Sleep-Timer die Stromversorgung dieses Systems aus, das externe Gerät jedoch nicht aus.

VERWENDUNG VON KOPFHÖRERN (NICHT INBEGRIFFEN)

Wenn Sie den Stecker Ihres Kopfhörers in die Stereo-Kopfhörerbuchse (A17) stecken, können Sie die CD- oder Radiomusik privat anhören. Bei Verwendung von Kopfhörern werden die eingebauten Lautsprecher getrennt.

LESEN SIE DIESE WICHTIGEN INFORMATIONEN, BEVOR SIE IHRE KOPFHÖRER VERWENDEN

1. Vermeiden Sie längeres Spielen bei sehr hoher Lautstärke, da dies Ihr Gehör beeinträchtigen kann.
2. Wenn in Ihren Ohren ein Klingeln auftritt, verringern Sie die Lautstärke oder schalten Sie das Gerät aus.
3. Halten Sie die Lautstärke auf einem angemessenen Niveau, auch wenn es sich bei Ihrem Headset um ein Open-Air-Headset handelt, mit dem Sie Außengeräusche hören können. Bitte beachten Sie, dass eine zu hohe Lautstärke immer noch Außengeräusche blockieren kann.

ZURÜCKSETZEN

Wenn das System nicht reagiert oder fehlerhaft funktioniert, ist möglicherweise eine elektrostatische Entladung (ESD) oder ein Stromstoß aufgetreten, der dazu führte, dass der interne Computer automatisch heruntergefahren wurde. Ziehen Sie in diesem Fall das Netzkabel von der Stromquelle ab, warten Sie 60 Sekunden und schließen Sie das Netzkabel erneut an die Stromquelle an. Das Gerät wird zurückgesetzt. Sie müssen die Uhr, den Alarm und die voreingestellten Funkkanäle einstellen.

PFLEGE UND WARTUNG

1. Setzen Sie das Gerät keinen übermäßigen Kräften, Stößen, Staub oder extremen Temperaturen (über 40 ° C) aus.
2. Manipulieren Sie nicht die internen Komponenten des Geräts.
3. Reinigen Sie Ihr Gerät mit einem trockenen Tuch. Lösungsmittel oder Reinigungsmittel sollten niemals verwendet werden.
4. Lassen Sie Ihr Gerät nicht direktem Sonnenlicht oder an heißen, feuchten oder staubigen Orten stehen.
5. Halten Sie Ihr Gerät von Heizgeräten und elektrischen Störquellen wie Leuchtstofflampen oder Motoren fern.
6. Wenn während der CD-Wiedergabe Aussetzer oder Unterbrechungen in der Musik auftreten oder wenn die CD überhaupt nicht abgespielt werden kann, muss die Unterseite möglicherweise gereinigt werden. Wischen Sie die Disc vor dem Abspielen von der Mitte nach außen mit einem guten weichen Reinigungstuch ab.

REINIGUNG DER EINHEIT

- Um Brand- oder Stromschlaggefahr zu vermeiden, trennen Sie Ihr Gerät beim Reinigen von der Wechselstromquelle.
- Die Oberfläche des Geräts kann mit einem Staubtuch gereinigt und wie andere Möbel gepflegt werden. Gehen Sie beim Reinigen und Abwischen der Kunststoffteile vorsichtig vor.
- Wenn der Schrank staubig wird, wischen Sie ihn mit einem weichen, trockenen Staubtuch ab. Verwenden Sie keine Wachs- oder Poliersprays auf dem Schrank.
- Wenn die Frontplatte verschmutzt oder mit Fingerabdrücken verschmiert ist, kann sie mit einem weichen Tuch gereinigt werden, das leicht mit einer milden Seifen- und Wasserlösung angefeuchtet ist. Verwenden Sie niemals Scheuertücher oder Polituren, da diese das Finish Ihres Geräts beschädigen.

VORSICHT: Lassen Sie während der Reinigung niemals Wasser oder andere Flüssigkeiten in das Gerät gelangen

Technische Daten:

Leistungsbedarf:

Haupteinheit: 230V ~ 50Hz

Fernbedienung: CR2025 3V

DISC-Player-Bereich

System: Eigenschaften der CD-Disc und des digitalen Audiosystems Laserdiode

Emissionsdauer: Kontinuierlich

Laserausgang: Weniger als 44,6 M w (Dieser Ausgang ist die Wertmessung in einem Abstand von 200 mm von der Objektivoberflächenoberfläche des optischen Aufnahmeblocks mit 7 mm Apertur.)

Frequenzbereich

FM-Tuner-Bereich:

Abstimmbereich: 87,5 MHz - 108,0 MHz (50-kHz-Schritt)

Lautsprecherleistung: 2x 5W

Max: 28W

Dieses Gerät verfügt über die Schutzklasse II und benötigt keine Erdung.

Das Gerät entspricht den Anforderungen der Richtlinien:

Niederspannungsrichtlinie (LVD)

Elektromagnetische Verträglichkeit (EMV)

Das Produkt wurde mit der CE-Kennzeichnung auf dem Typenschild gekennzeichnet.



Den Pappkarton im Altpapier entsorgen. Polyäthylenbeutel (PE) in dem Behälter für Kunststoff entsorgen. Das abgenutzte Gerät zum Recycling zu einer offiziellen Sammelstelle bringen, da es gefährliche Substanzen enthält, die die Umwelt gefährden können. Das Gerät sollte in einer Form abgegeben werden, die eine weitere Nutzung unmöglich macht. Wenn es Batterien enthält, sollten diese rausgenommen und separat an einer Sammelstelle abgegeben werden. Das Gerät darf nicht in den Hausmüll rausgeworfen werden!!

CONDITIONS DE SÉCURITÉ INSTRUCTIONS IMPORTANTES SUR LA SÉCURITÉ D'UTILISATION VEUILLEZ LIRE ATTENTIVEMENT ET CONSERVER POUR RÉFÉRENCE FUTURE

Les conditions de garantie sont différentes si l'appareil est utilisé à des fins commerciales.

1. Avant d'utiliser le produit, veuillez lire attentivement et respecter les instructions suivantes. Le fabricant n'est pas responsable des dommages résultant d'une mauvaise utilisation.

2. Le produit doit être utilisé uniquement à l'intérieur. N'utilisez pas le produit à des fins incompatibles avec son application.

3. La tension applicable est 230V, ~ 50Hz. Pour des raisons de sécurité, il n'est pas approprié de connecter plusieurs périphériques à une même prise de courant.

4. Soyez prudent lorsque vous utilisez autour des enfants. Ne laissez pas les enfants jouer avec le produit. Ne laissez pas les enfants ou les personnes ne connaissant pas l'appareil l'utiliser sans surveillance.

5. **AVERTISSEMENT:** Cet appareil peut être utilisé par des enfants de plus de 8 ans et des personnes ayant des capacités physiques, sensorielles ou mentales réduites, ou des personnes sans expérience ou connaissance de l'appareil, uniquement sous la surveillance d'une personne responsable de leur sécurité, ou s'ils ont appris à utiliser le dispositif en toute sécurité et qu'ils sont conscients des dangers liés à son utilisation. Les enfants ne doivent pas jouer avec l'appareil. Les enfants ne doivent pas nettoyer ni entretenir l'appareil, sauf s'ils ont plus de 8 ans et si ces activités sont effectuées sous surveillance.

6. Une fois que vous avez fini d'utiliser le produit, n'oubliez pas de retirer délicatement la fiche de la prise secteur en tenant la prise avec votre main. Ne tirez jamais sur le câble d'alimentation !!!

7. Ne mettez jamais le câble d'alimentation, la fiche ou tout l'appareil dans l'eau. N'exposez jamais le produit aux conditions atmosphériques telles que la lumière directe du soleil ou la pluie, etc. N'utilisez jamais le produit dans des conditions humides.

8. Vérifiez régulièrement l'état du câble d'alimentation. Si le câble d'alimentation est endommagé, le produit doit être tourné vers un centre de réparation agréé pour être remplacé afin d'éviter toute situation dangereuse.

9. N'utilisez jamais le produit avec un câble d'alimentation endommagé, s'il est tombé ou s'il a été endommagé d'une autre manière ou s'il ne fonctionne pas correctement. N'essayez pas de réparer vous-même le produit défectueux, car cela pourrait entraîner un choc électrique. Placez toujours l'appareil endommagé dans un centre de service après-vente professionnel afin de le réparer. Toutes les réparations ne peuvent être effectuées que par des professionnels agréés. La réparation effectuée de manière incorrecte peut entraîner des situations dangereuses pour l'utilisateur.

10. Ne placez jamais le produit sur ou à proximité de surfaces chaudes ou chaudes ou d'appareils de cuisine comme le four électrique ou le brûleur à gaz.

11. Ne jamais utiliser le produit à proximité de matières combustibles.

12. Ne laissez pas le cordon pendre du bord du comptoir ou toucher des surfaces chaudes.

13. Ne laissez jamais le produit connecté à la source d'alimentation sans surveillance. Même lorsque l'utilisation est interrompue pendant une courte période, mettez-la hors tension, débranchez le cordon d'alimentation.

14. Afin de fournir une protection supplémentaire, il est recommandé d'installer un dispositif de courant résiduel (RCD) dans le circuit d'alimentation, avec un courant nominal résiduel ne dépassant pas 30 mA. Contactez un électricien professionnel à ce sujet.

15. Évitez de mouiller la radio.

16. La radio ne peut être essuyée qu'avec un chiffon sec. Ne pas utiliser d'eau ou de liquide de nettoyage.

17. La radio doit être conservée dans un endroit sec.

DISPOSITIF:

1. INDICATEUR DE VEILLE MARCHÉ / ARRÊT
2. SOURCE 3. BOUTON RÉGLAGE TEMPOREL / MÉMOIRE
4. TUNER CHANNEL -
5. AUX IN 6. USB 7. TUNER CHANNEL +
8. BOUTON D'ARRÊT DU CD / BOUTON DE PAIRE BLUETOOTH
9. TOUCHE CD / BLUETOOTH PLAY / PAUSE / RADIO AUTO SEARCH
10. CD / BLUETOOTH SKIP PRÉCÉDENT / TUNE - BOUTON
11. CD / BLUETOOTH SKIP NEXT / TUNE + BOUTON
12. BOUTON DE COMMANDE DE VOLUME 13. AFFICHAGE LCD
14. BOUTON CD PORTE OUVERTE / FERMÉE 15. CD DOOR 16. FM ANTENNA
17. PRISE DE CASQUE 18. CONNECTEUR HAUT-PARLEUR DROIT 19. CONNECTEUR HAUT-PARLEUR GAUCHE
20. ADAPTATEUR D'ALIMENTATION CC 21. PORTE DU COMPARTIMENT DES PILES

TÉLÉCOMMANDE:

1. INDICATEUR DE VEILLE MARCHÉ / ARRÊT
2. BOUTON DE RECHERCHE DIRECTE DISQUE
3. PROG. BOUTON
4. BOUTON DE RECHERCHE CD / USB OU TEMPORISATEUR BAS, BOUTON TUNER DOWN.
5. BOUTON D'ÉGALISATION
6. BOUTON DE RÉPÉTITION
7. BOUTON X-BASS
8. BOUTON DE SUIVI
9. TOUCHE CD / BLUETOOTH PLAY / PAUSE / RADIO AUTO SEARCH
10. CD / BLUETOOTH SKIP PRÉCÉDENT / TUNE - BOUTON
11. CD / BLUETOOTH SKIP NEXT / TUNE + BOUTON
12. CLOCK SET
13. LCD DISPLAY
14. CD DOOR OPEN / CLOSE BUTTON
15. PORTE CD
16. ANTENNE FM
17. PRISE DE CASQUE
18. CONNECTEUR HAUT-PARLEUR DROIT
19. CONNECTEUR HAUT-PARLEUR GAUCHE
20. BOUTON ALÉATOIRE ET BOUTON INTRO
21. Porte de compartiment de batterie
22. BOUTON BT PLAY / PAUSE
23. VOLUM UP UN DOWN DOWN
24. BOUTON LECTURE / PAUSE CD
25. BOUTON ARRÊT CD

CONNEXIONS DU SYSTÈME

Assurez-vous de débrancher le cordon d'alimentation secteur de la prise murale avant d'effectuer toute connexion.

Connexion d'alimentation CA

Branchez le cordon d'alimentation CA sur une prise CA 230 V ~ 50 Hz disponible. Assurez-vous que la fiche est correctement insérée dans la prise secteur.

Installation des batteries pour la sauvegarde des batteries

1. Retirez le couvercle du compartiment des piles situé au bas de l'unité principale.
2. Suivez les repères de polarité à l'intérieur du compartiment des piles et insérez 2 piles AAA (non incluses) dans les deux logements de piles situés dans le compartiment des piles.
3. Remettez le couvercle de la batterie en place.

REMARQUES:

- Lors du remplacement des piles de sauvegarde, ne débranchez pas le cordon d'alimentation secteur de la prise murale. Si vous le faites, tous les paramètres de date et d'heure actuels seront effacés.
- Si l'appareil reste débranché pendant une longue période, retirez les piles pour éviter tout dommage pouvant survenir si les piles fuient et provoquent de la corrosion.

Télécommande

La télécommande fonctionne sur une pile au lithium CR2025 3V (incluse dans la télécommande). Pour activer la télécommande, retirez la languette isolante insérée dans le compartiment des piles.

Si le fonctionnement à distance devient intermittent ou insatisfaisant, remplacez la pile d'origine par une nouvelle pile au lithium CR2025 3V.

1. Appuyez sur le couvercle du compartiment, faites glisser le support de la batterie du boîtier de la télécommande.
2. Remplacez la batterie en vous assurant qu'elle est correctement installée. La télécommande ne fonctionnera pas si la batterie est installée avec une mauvaise polarité.

MISE EN GARDE:

- 1.) Danger d'explosion si la batterie n'est pas remplacée correctement.
- 2.) Remplacez uniquement par une batterie de type identique ou équivalent.
- 3.) Réinsérez le support de batterie dans le logement de batterie.

ALLUMER / ÉTEINDRE L'UNITÉ

1. En mode Off (veille), appuyez sur le bouton POWER / STANDBY (A1, B1) sur l'unité principale ou la télécommande pour allumer l'unité. L'unité s'allumera, la dernière icône du mode d'entrée sélectionné s'affichera sur l'écran LCD.

2. Pour éteindre l'unité (veille), appuyez à nouveau sur le bouton POWER ON POWER / STANDBY (A1, B1) de l'unité principale ou de la télécommande. L'ECRAN LCD va s'assombrir et afficher l'heure actuelle. Le voyant du mode veille s'allume.

RÉGLAGE DE L'HORLOGE

Après avoir branché l'alimentation secteur, «00:00» apparaît et commence à clignoter sur l'écran LCD.

1. En mode hors tension (veille), appuyez sur le bouton CLOCK SET (B13) de la télécommande ou de l'unité principale et maintenez-le enfoncé, le format 24 HEURES «24H» s'affiche à l'écran.
2. Appuyez sur le bouton Précédent / Suivant (B4, B18) de la télécommande ou de l'unité principale pour sélectionner le format 24 heures si nécessaire. Sinon, appuyez sur le bouton CLOCK SET (B12) pour confirmer le format d'horloge 12 heures et passer en mode de

configuration d'horloge, les chiffres des heures clignotent.

3. Appuyez sur le bouton Précédent / Suivant (B4, B18) de la télécommande ou de l'unité principale pour régler l'heure. Appuyez sur le bouton et maintenez-le enfoncé pour un réglage rapide de l'avance / retour.

Remarque: Assurez-vous que l'heure est réglée pour que l'indicateur PM s'affiche correctement.

4. Appuyez sur le bouton CLOCK SET (B12) de la télécommande pour confirmer le réglage de l'heure, les chiffres des minutes clignoteront pour vous demander d'entrer.

5. Appuyez sur le bouton Précédent / Suivant (B4, B18) de la télécommande ou de l'unité principale pour régler les minutes. Appuyez sur le bouton et maintenez-le enfoncé pour un réglage rapide d'avance / retour.

6. Appuyez à nouveau sur le bouton CLOCK SET (B12) de la télécommande pour terminer le réglage.

REMARQUE: Les pré-réglages de l'horloge et de la station de radio devront être réinitialisés si l'alimentation est coupée ou en cas de panne de courant. "00:00" apparaîtra et commencera à clignoter sur l'écran LCD pour vous informer que l'alimentation a été interrompue et que l'horloge devra être réinitialisée. Veuillez suivre les étapes 1 à 6 ci-dessus pour réinitialiser l'horloge.

VERIFICATION DE L'HORLOGE

L'unité affichera l'heure actuelle en mode veille. Pour vérifier l'heure actuelle en mode Power ON, appuyez sur le bouton CLOCK SET (B12) de l'unité principale ou de la télécommande et maintenez-le enfoncé pendant 3 secondes, l'heure actuelle s'affichera pendant 5 secondes, puis reviendra à l'écran précédent.

FONCTIONNEMENT DE L'ALARME (TÉLÉCOMMANDE UNIQUEMENT)

RÉGLAGE DE L'HORLOGE D'ALARME

Cette fonction permet au système de s'allumer automatiquement et de vous réveiller en utilisant une alarme sonore, le CD, USB ou BU la RADIO.

1. Appuyez sur le bouton TIMER (B13) de la télécommande et maintenez-le enfoncé jusqu'à ce que l'écran affiche «On» et que les chiffres des heures clignotent.

2. Appuyez sur les boutons Précédent / Suivant (B4, B18) pour régler les chiffres des heures, puis appuyez sur le bouton TIMER pour confirmer. Les chiffres des minutes clignotent à l'écran.

3. Appuyez sur les boutons Précédent / Suivant (B4, B18) pour régler les chiffres des minutes, puis appuyez sur le bouton TIMER (B13) pour confirmer.

4. Lorsque le bouton Précédent / Suivant (B4, B18) On Timer Clock set est réglé, l'écran affiche «OFF» et les chiffres des heures clignotent.

5. Appuyez sur les boutons Précédent / Suivant (B4, B18) pour régler les chiffres des heures, puis appuyez sur le bouton TIMER (B13) pour confirmer. Les chiffres des minutes clignotent à l'écran.

6. Appuyez sur les boutons Précédent / Suivant (B4, B18) de la télécommande pour régler les chiffres des minutes, puis appuyez sur le bouton TIMER pour confirmer.

7. Appuyez sur les boutons pour sélectionner le mode CD, USB, BT ou FM, puis appuyez sur le bouton TIMER (B13) pour confirmer. L'écran affichera «VOL #» et clignotera.

Appuyez sur les boutons Précédent / Suivant (B4, B18) pour régler le volume, puis appuyez sur le bouton TIMER pour confirmer.

8. Appuyez sur le bouton TIMER (B13) pour sélectionner "Timer On", et le Timer est maintenant ensemble.

9. En mode veille, l'icône de la minuterie s'affiche à l'écran pour indiquer que la minuterie est activée.

REMARQUE:

1.) Si «Wake to CD, USB» est sélectionné mais qu'aucun CD n'est inséré, l'alarme se mettra automatiquement en alarme sonore lorsque l'heure de réveil de l'alarme sera atteinte.

2.) Pour «Wake to Radio», le système revient par défaut à la dernière station de radio FM écoutée avant de s'éteindre.

3.) L'alarme de crescendo augmentera jusqu'au niveau de volume que vous avez réglé.

FONCTION D'ALARME ACTIVE / DE-ACTIVE

1. Pour activer l'ALARME, appuyez une fois sur le bouton MINUTERIE (B13) et l'icône d'alarme apparaîtra sur l'écran LCD.

2. Annulez la fonction ALARME en appuyant à nouveau sur le bouton TIMER (B13). L'icône d'alarme s'éteint.

Réveil radio, CD, USB ou alarme BUZZER

· Lorsque l'heure de l'alarme est atteinte, l'alarme sonore CD, USB ou radio retentit pendant 60 minutes, puis s'éteint et se réinitialise pour le jour suivant (sans appuyer sur le bouton de répétition).

· Pour arrêter l'alarme immédiatement après qu'elle a retenti, appuyez une fois sur le bouton POWER / STANDBY (A1, B1) de la télécommande ou de l'unité principale. Il se réinitialise le lendemain.

· Pour annuler l'alarme du lendemain, appuyez une fois sur le BOUTON DE LA MINUTERIE (B13), l'icône ALARME s'éteint.

FONCTIONNEMENT RADIO

1. Appuyez sur le bouton POWER / STANDBY (A1, B1) sur l'unité principale ou la télécommande pour allumer l'unité.

2. Appuyez sur le bouton SOURCE (A1, B11) sur l'unité principale ou la télécommande pour sélectionner le mode FM, la fréquence radio FM apparaît sur l'affichage.

3. Pour syntoniser manuellement une station de radio spécifique, appuyez plusieurs fois sur Track Down, Track up (A10, A11, B8, B18) sur l'unité principale ou la télécommande. Utilisez la méthode de réglage manuel pour régler les stations les plus faibles qui sont contournées pendant le réglage automatique.

4. Pour syntoniser automatiquement la prochaine station de radio disponible, maintenez enfoncé le bouton Track Down (A10, A11, B8, B18) de l'unité principale ou de la télécommande pendant 1-2 secondes jusqu'à ce que la lecture de la fréquence sur l'écran commence à balayer relâchez le bouton. Le syntoniseur arrêtera le balayage lorsqu'il recevra la prochaine station de radiodiffusion avec une puissance de signal adéquate.

5. Appuyez sur la commande de volume de l'unité principale ou de la télécommande pour régler la commande de volume au niveau de volume souhaité.

Réception FM / FM stéréo

Lorsque vous écoutez la radio FM, appuyez sur le bouton ST./ MONO (B16) de la télécommande pour basculer entre le mode stéréo et le mode mono. L'icône FM stéréo «ST» apparaît sur l'affichage si l'appareil est en mode stéréo. Il est préférable de recevoir le programme en mono lorsque vous recevez une station faible.

CONSEILS POUR UNE MEILLEURE RÉCEPTION:

FM - Pour une meilleure réception FM, l'antenne filaire FM située à l'arrière de l'appareil doit être entièrement déballé et étendu.

REMARQUE: la syntonisation automatique dépend de la puissance du signal de la station de radiodiffusion, de sorte que les stations faibles peuvent être ignorées. Vous pouvez régler manuellement pour trouver les stations faibles si une station est sautée. Avec des signaux puissants, le tuner peut s'arrêter avant qu'il n'atteigne la fréquence de diffusion réelle, vous devez donc peut-être régler manuellement pour obtenir la meilleure réception.

STATIONS DE RADIO PRÉRÉGLÉES

1. Appuyez sur le bouton POWER / STANDBY (A1, B1) de l'unité principale ou de la télécommande pour allumer l'unité.
2. Appuyez sur le bouton SOURCE (A1, B11) sur l'unité principale ou la télécommande pour sélectionner le mode radio FM.
3. Appuyez sur le bouton Track Down, Track up (A10, A11, B8, B18) de l'unité principale ou de la télécommande et maintenez-le enfoncé jusqu'à ce que la lecture de la fréquence sur l'écran commence à balayer, puis relâchez le bouton pour la recherche automatique et la programmation des canaux préréglés. "PROG" apparaît sur l'affichage et clignote. La recherche automatique et le programme s'arrêteront à P01 une fois la numérisation terminée, «PROG» s'affiche de façon constante.
- Remarque: Si les chaînes enregistrées pendant la recherche automatique et le préréglage programmé ne sont pas celles que vous souhaitez enregistrer, utilisez la méthode ci-dessous pour les préréglages radio enregistrés manuellement.
4. Syntonisez la station de radio souhaitée soit par la méthode de syntonisation «manuellement» ou «automatiquement».
5. Appuyez sur PROG . (B3) sur la télécommande, le prochain numéro de mémoire préréglé disponible et un PROG clignotant . L'icône (B3) s'affiche sur l'écran LCD. (Remarque: «P01» s'affiche à l'écran si vous programmez un préréglage pour la première fois)
6. Appuyez sur PRE. Touche (B15, B19) de l'unité principale ou de la télécommande pour sélectionner le numéro de présélection auquel vous souhaitez attribuer la station.
7. Appuyez sur PROG . (B3) Bouton pour confirmer le réglage.
8. Répétez les étapes 4 à 8 ci-dessus pour préréglage jusqu'à 30 stations FM.

RAPPEL DE CANAUX MÉMOIRE PRÉRÉGLÉS

En mode radio, rappelez les canaux préréglés en appuyant sur PRE. Bouton (B15, B19) sur la télécommande à plusieurs reprises.

FONCTIONNEMENT DU LECTEUR DE CD

Remarque:

1. Ce lecteur de CD lit non seulement les CD commerciaux, mais également les CD-R / RW auto-compilés et les disques MP3. N'essayez pas de lire des CD-ROM, CDI, VCD, DVD ou CD d'ordinateur.
2. Le MP3 est une forme de compression. C'est un acronyme qui signifie MPEG Audio Layer 3. MP3 est un type de code audio qui est traité par une compression importante à partir de la source audio d'origine avec très peu de perte de qualité sonore.
 - Ce système prend en charge les fichiers MPEG 1 Layer 3 et VBR .
 - Pendant la lecture d'un fichier VBR , le compteur de temps à l'écran peut différer de sa durée de lecture réelle.
 - Le débit binaire pris en charge par MP3 est de 32 à 320 kbps

VEUILLEZ LIRE CES INFORMATIONS IMPORTANTES:

Les mécanismes de CD utilisés dans des appareils comme celui-ci sont conçus pour lire tous les CD commerciaux. Il lira également les CD-R / CD-RW auto-compilés, les disques MP3, mais le démarrage de la lecture peut prendre jusqu'à 10 secondes. Si la lecture ne démarre pas, cela est probablement dû à la qualité du CD-R / RW , du disque MP3 et / ou à la compatibilité du logiciel de compilation de CD. Le fabricant n'est pas responsable de la qualité de lecture des CD-R / RW , disques MP3. N'apposez pas d'étiquette ni de sceau sur les deux côtés du CD-R / RW, disque MP3. Cela peut provoquer un dysfonctionnement.

LECTURE D'UN CD

1. Appuyez sur le bouton POWER / STANDBY (A1, B1) de l'unité principale ou de la télécommande pour allumer l'unité.
2. Appuyez sur le bouton SOURCE (A1, B11) de la télécommande ou de l'unité principale pour sélectionner le mode CD, puis appuyez sur le bouton Ouvrir le compartiment du disque.
3. Placez un CD audio sur la broche centrale avec son côté étiquette orienté vers la PORTE CD. Fermez le compartiment à disque.
4. L'appareil commence à lire le disque, «--» s'affiche à l'écran et clignote. Après quelques secondes, le nombre total de pistes affiche une seconde, puis la durée totale du CD s'affiche sur l'écran LCD.
5. Appuyez sur le bouton PLAY / PAUSE (A9, B22) de l'unité principale ou de la télécommande, l'indicateur PLAY s'affiche à l'écran, la lecture du CD commence à partir de la première piste.
6. Appuyez sur la commande de volume Réglez le volume. sur l'unité principale ou la télécommande pour régler le niveau de volume souhaité.
7. Pour suspendre la lecture, appuyez sur le bouton PLAY / PAUSE (A9, B22) de l'unité principale ou de la télécommande. Le temps de piste sera mis en pause et l'indicateur PAUSE s'affichera. Pour reprendre la lecture, appuyez à nouveau sur le bouton CD PLAY / PAUSE

- (A9, B22).
- Vous pouvez choisir de lire votre piste préférée directement en appuyant soit sur Track Down, Track up (A10, A11, B8, B18). L'écran LCD indiquera le numéro de piste correct sélectionné.
 - Pour localiser une section particulière dans une piste, maintenez enfoncée la touche Track Down, Track up (A10, A11, B8, B18) jusqu'à ce que la section soit trouvée. Relâchez le bouton pour continuer la lecture de votre sélection.
 - Pour arrêter la lecture, appuyez sur le bouton STOP (A8, B25).

PROCÉDURE DE LECTURE DU DISQUE Mp3

Pour lire des CD-R / RW, Mp3

- Appuyez sur le bouton SOURCE (A1, B11) de la télécommande et chargez un disque Mp3.
- Appuyez sur la touche FOLDER (B15, B19) pour sélectionner le dossier de lecture souhaité.
- Sélectionnez le fichier que vous souhaitez lire en appuyant sur le bouton Track Down, Track up (A10, A11, B8, B18).
- Appuyez sur PLAY / PAUSE (A9, B22). La lecture démarre et le nom du fichier s'affiche.
- En cas de lecture avec le mode dossier activé, appuyez sur la touche FOLDER (B15, B19), et le dossier peut être sélectionné même s'il est en mode lecture / pause. Il continuera le mode de lecture / pause dans la 1ère piste du dossier sélectionné.

POUR LIRE UN LECTEUR USB / MP3 AVEC UN DOSSIER

- Appuyez sur le bouton SOURCE (A1, B11) de la télécommande ou sur le bouton SOURCE (A1, B11) à plusieurs reprises sur l'unité principale pour sélectionner la fonction USB. Connectez l'appareil mémoire USB contenant des fichiers au format MP3 à l'appareil. Lorsque la mémoire USB est connectée à l'unité principale, les informations sur l'appareil s'affichent.
- Appuyez sur le bouton FOLDER (B15, B19) pour sélectionner le dossier de lecture souhaité. Pour démarrer la lecture avec le mode dossier activé, passez à l'étape.
- Sélectionnez le fichier à lire en appuyant sur le bouton Track Down, Track up (A10, A11, B8, B18).
- Appuyez sur PLAY / PAUSE (A9, B22). La lecture démarre et le nom du fichier s'affiche.

REMARQUE:

- Ce produit n'est pas compatible avec les systèmes de fichiers MTP et AAC d'un périphérique de stockage de masse USB ou d'un lecteur MP3.
- Cet appareil prend en charge FAT16 et FAT32, mais certains supports de stockage USB peuvent ne pas prendre en charge les deux systèmes de fichiers. Pour plus de détails, reportez-vous au mode d'emploi du périphérique de stockage USB en question ou contactez le fabricant.

MODE SAUT ET RECHERCHE

- En mode Lecture ou Pause, appuyez sur le bouton Piste suivante, Piste suivante (A10, A11, B8, B18) pour passer à la piste suivante ou revenir au début de la piste actuelle.
- Pendant la lecture, maintenez enfoncées les touches Track Down, Track up (A10, A11, B8, B18) pour rechercher dans la piste actuelle avec une lecture audible à haute vitesse.

DIFFÉRENTS MODES DE LECTURE (TÉLÉCOMMANDE UNIQUEMENT)

Appuyez plusieurs fois sur le bouton REPEAT (B6) de la télécommande pour sélectionner différents modes de lecture lors de la lecture d'un CD.

Lors de la lecture d'un CD, les modes de lecture sont présentés ci-dessous:

Répéter
Répète tout
Ordinaire

REPEAT 1 - la piste en cours de lecture et répétée en continu. Répéter une icône «REPEAT 1» s'affiche à l'écran.

REPEAT ALL - toutes les pistes seront répétées en continu. L'icône Répéter tout «REPEAT ALL» s'affiche à l'écran.

JEU ALÉATOIRE

Lorsque vous appuyez trois fois sur le bouton RANDOM (B20), l'indicateur «RDM» s'allume sur l'écran LCD. Les plages du disque peuvent être lues automatiquement dans un ordre aléatoire.

Pour annuler la lecture aléatoire:

Appuyez à nouveau sur le bouton RANDOM (B20). L'indicateur «RDM» disparaîtra.

REMARQUE:

Si vous appuyez sur la touche pendant la lecture aléatoire, vous pouvez passer à la piste sélectionnée ensuite par l'opération aléatoire. En revanche, le bouton ne vous permet pas de passer à la piste précédente. Le début de la piste en cours de lecture sera localisé.

En lecture aléatoire, l'appareil sélectionne et lit automatiquement les pistes. (Vous ne pouvez pas sélectionner l'ordre des pistes.)

INTRO PLAYBACK

Appuyez sur INTRO (B20) sur la télécommande. L'indicateur «INTRO (B20)» s'affiche à l'écran.

L'unité jouera les 10 premières secondes de chaque piste.

2. Appuyez à nouveau sur INTRO (B20) sur la télécommande pour reprendre la lecture normale.

JOUER LA PROGRAMMATION DE LA SÉQUENCE DE PISTE

Cette fonction permet de lire les pistes dans une séquence programmée. L'utilisateur peut programmer jusqu'à 32 pistes en mode CD ou 99 pistes en MP3 dans n'importe quel

REMARQUE: le programme ne peut être réglé qu'en mode STOP.

- Appuyez sur PROG . Bouton (B3) de la télécommande, le numéro de programme «1» s'affiche à l'écran, l'icône «PROG» et le numéro de piste du CD «-» clignotent également sur l'écran LCD. (Remarque: «1» sera affiché à l'écran si vous programmez la première fois).
- Utilisez Track Down, Track up (A10, A11, B8, B18) sur l'unité principale ou la télécommande pour sélectionner la piste souhaitée. Le numéro de piste sera affiché à l'écran.
- Appuyez sur PROG . Bouton (B3) de l'unité principale ou de la télécommande pour stocker la piste sélectionnée dans la mémoire, le numéro de programme suivant avancera d'un (c.-à-d. «2») sur l'écran LCD.
- Répétez les étapes 2 à 3 pour stocker plus de pistes dans la mémoire. Vous pouvez stocker jusqu'à CD 32 pistes, MP3 99 pistes. L'écran affichera «FUL» une fois les pistes programmées.

5. Appuyez sur PLAY / PAUSE (A9, B22), sur l'unité principale ou la télécommande pour commencer la lecture du CD dans l'ordre programmé.
6. Appuyez sur le bouton REPEAT (B6) de la télécommande pour sélectionner Répéter 1 / Tout si nécessaire.
7. Pour arrêter la lecture, appuyez sur le bouton STOP (A8, B25) de l'unité principale ou de la télécommande. Pour annuler la lecture programmée, appuyez deux fois sur le bouton STOP (A8, B25) de l'unité principale ou de la télécommande, l'icône « PROG » disparaît de l'affichage.

FONCTIONNEMENT BLUETOOTH

Appuyez sur le bouton POWER / STANDBY (A1, B1) pour allumer l'appareil et suivez les instructions ci-dessous pour vous connecter via Bluetooth.

ASSOCIER (Lier) un téléphone portable compatible BLUETOOTH OU UN AUTRE APPAREIL ACTIVÉ BLUETOOTH à l'appareil Si le CR 1173 n'a jamais été jumelé à un appareil Bluetooth auparavant. Vous devez suivre les instructions de couplage ci-dessous pour lier l'appareil à votre appareil Bluetooth.

1. Appuyez sur le bouton POWER / STANDBY (A1, B1) de l'unité principale ou de la télécommande pour allumer l'unité.
2. Appuyez sur le bouton SOURCE (A1, B11) sur la télécommande principale ou à distance pour sélectionner le mode Bluetooth, le message Bluetooth « bt » apparaît sur l'affichage et clignote.
3. Si le CR 1173 n'a jamais été jumelé à un appareil Bluetooth auparavant ou ne trouve pas le dernier appareil jumelé, le « bt » clignotant sur l'écran LCD indique que le XXX est en mode de recherche. Vous devez suivre les instructions de couplage ci-dessous pour lier l'appareil à votre appareil Bluetooth.
 - Activez la fonction Bluetooth de votre appareil Bluetooth et activez la fonction de recherche ou de numérisation pour trouver le CR 1173.
 - Sélectionnez "CR 1173" dans la liste des appareils lorsqu'il apparaît sur l'écran de votre appareil. Si nécessaire, entrez le code d'accès «0000» pour coupler (lier) le CR 1173 avec votre appareil.
4. Une fois l'appariage (liaison) réussi, l'affichage changera pour afficher « bt » de façon constante, l'icône Bluetooth s'affichera également à l'écran. Vous pouvez commencer à lire de la musique de votre appareil Bluetooth sans fil vers le haut-parleur.
5. Après avoir sélectionné votre chanson préférée, appuyez sur le bouton PLAY PAUSE (B22, A9) de l'appareil ou de la télécommande pour lire ou mettre en pause la chanson.
6. Appuyez sur la commande de volume de l'unité principale ou de la télécommande pour régler le niveau de volume souhaité.
7. Appuyez sur le bouton Track Down, Track up (B8, B9) de l'unité principale ou de la télécommande pour passer au morceau précédent ou suivant.
8. Si vous souhaitez coupler l'appareil avec un autre appareil compatible Bluetooth, appuyez sur le bouton PAIR (B10) et maintenez-le enfoncé pendant 3 secondes ou désactivez la fonction Bluetooth de l'appareil actuellement couplé avec l'appareil, puis répétez l'étape 3 ci-dessus.

Remarques :

- 1.) Reportez-vous au manuel de votre téléphone portable, tablette PC, ordinateur ou autres appareils compatibles Bluetooth pour le fonctionnement Bluetooth car il peut varier d'un modèle à l'autre.
- 2.) Si votre appareil compatible Bluetooth ne prend pas en charge le profil A2DP, il ne jouera pas la musique via le haut-parleur, même s'il est couplé (lié).
- 3.) Si vous associez (reliez) votre ordinateur à l'unité à l'aide de Bluetooth, vous devrez peut-être définir le haut-parleur comme périphérique audio par défaut de votre ordinateur.

OPÉRATION D'ENTRÉE AUXILIAIRE

Cet appareil dispose d'une prise d'entrée de signal audio auxiliaire pour connecter des appareils audio externes comme des lecteurs MP3, un appareil audio numérique et les écouter via les haut-parleurs de cet appareil.

1. Utilisez un câble audio (non inclus) avec une fiche stéréo de 3,5 mm à chaque extrémité du câble.
2. Branchez une extrémité dans la prise AUX IN (A5) de l'unité principale et l'autre extrémité du câble dans la prise de sortie ligne ou la prise casque de votre appareil audio externe.
3. Allumez l'appareil et le périphérique audio externe.
4. Appuyez sur le bouton SOURCE (A1, B11) sur la télécommande principale ou à distance pour sélectionner le mode AUX, l'icône «AUX» s'allume, l'écran affiche le message «AUX».
5. Le niveau du volume peut maintenant être contrôlé via l'unité principale. Utilisez toutes les autres fonctions de l'appareil auxiliaire comme d'habitude.

Remarque :

- Si vous connectez cet appareil à la prise de sortie de ligne de votre appareil externe, il vous suffit de régler le contrôle du volume de cet appareil. Si vous connectez la prise casque de votre appareil externe, vous devrez peut-être régler à la fois les commandes de volume de votre appareil externe et de cet appareil pour obtenir le réglage de volume souhaité.

PRESET EQ (TÉLÉCOMMANDE UNIQUEMENT)

Cet appareil propose 4 modes d'égalisation différents pour améliorer votre expérience d'écoute. Vous pouvez sélectionner l'effet souhaité en appuyant plusieurs fois sur le bouton EQ (B5) de la télécommande dans l'ordre suivant :

ROCK POP JAZZ CLASSIC OFF

BOUON MUTE (TÉLÉCOMMANDE UNIQUEMENT)

- Appuyez sur le bouton MUTE (B21) de la télécommande pour couper temporairement le son émis par le haut-parleur. Le «V 00» apparaît sur l'affichage.
- Appuyez à nouveau sur le bouton MUTE (B21) ou sur VOLUME CONTROL (B23, A12) pour reprendre la lecture normale des enceintes.

OPÉRATIONS DE SOMMEIL (TÉLÉCOMMANDE UNIQUEMENT)

La minuterie de mise en veille vous permet d'éteindre l'appareil une fois l'heure définie atteinte.

1. Pour activer la minuterie sommeil, allumez l'appareil et appuyez sur le bouton SOURCE (A1, B11) pour sélectionner la radio FM, CD, USB, Bluetooth ou écouter de la musique via AUX IN.
2. Appuyez sur le bouton SLEEP (B14) de la télécommande, l'icône de temps de sommeil "SLEEP" apparaît sur l'affichage.
3. Appuyez plusieurs fois sur le bouton SLEEP (B14) pour sélectionner une durée de sommeil. L'unité s'éteindra après 10, 20, 30, 40, 50,

60, 70, 80 ou 90 minutes. Attendez 3 secondes après votre sélection pour que l'unité confirme la sélection, l'unité jouera pendant la durée sélectionnée puis s'éteindra automatiquement.

4. Pour annuler la minuterie de sommeil, appuyez plusieurs fois sur le bouton SLEEP (B14) jusqu'à ce que la minuterie affiche «OFF», l'icône de temps de sommeil «SLEEP» disparaît sur l'affichage
5. Pour éteindre l'appareil avant la durée sélectionnée, appuyez sur le bouton POWER / STANDBY (A1, B1) à tout moment.

Remarques:

- 1.) Pour vérifier le temps de sommeil restant, appuyez une fois sur le bouton SLEEP (B14).
- 2.) Si vous vous endormez en musique à partir d'un appareil externe connecté à l'entrée AUX, la minuterie de veille coupera l'alimentation de ce système mais elle ne mettra pas l'appareil externe hors tension.

UTILISATION D'UN CASQUE (NON INCLUS)

L'insertion de la fiche de votre casque dans la prise casque stéréo (A17) vous permettra d'écouter le CD ou la musique radio en privé. Lorsque vous utilisez un casque, les haut-parleurs intégrés seront déconnectés.

LISEZ CES INFORMATIONS IMPORTANTES AVANT D'UTILISER VOS CASQUES

1. Évitez les jeux prolongés à un volume très élevé, car cela pourrait nuire à votre audition.
2. Si vous entendez des bourdonnements dans vos oreilles, réduisez le volume ou éteignez votre appareil.
3. Gardez le volume à un niveau raisonnable même si votre casque est de type à ciel ouvert conçu pour vous permettre d'entendre les sons extérieurs. Veuillez noter qu'un volume excessivement élevé peut toujours bloquer les sons extérieurs.

RÉINITIALISATION

Si le système ne répond pas ou a un fonctionnement irrégulier, vous avez peut-être rencontré une décharge électrostatique (ESD) ou une surtension qui a déclenché l'arrêt automatique de l'ordinateur interne. Si cela se produit, débranchez le cordon secteur de la source d'alimentation, attendez 60 secondes, puis rebranchez le cordon secteur sur la source d'alimentation. L'unité sera réinitialisée, vous devez configurer l'horloge, l'alarme et les canaux radio préréglés.

ENTRETIEN ET MAINTENANCE

1. Ne soumettez pas l'appareil à une force excessive, des chocs, de la poussière ou des températures extrêmes (au-dessus de 40 ° C).
2. Ne modifiez pas les composants internes de l'unité.
3. Nettoyez votre appareil avec un chiffon sec. Il ne faut jamais utiliser de solvant ou de détergent.
4. Évitez de laisser votre appareil en plein soleil ou dans des endroits chauds, humides ou poussiéreux.
5. Gardez votre appareil loin des appareils de chauffage et des sources de bruit électrique telles que les lampes fluorescentes ou les moteurs.
6. Si des interruptions ou des interruptions se produisent dans la musique pendant la lecture du CD, ou si le CD ne fonctionne pas du tout, sa surface inférieure peut nécessiter un nettoyage. Avant la lecture, essuyez le disque du centre vers l'extérieur avec un bon chiffon doux.

NETTOYAGE DE L'UNITÉ

- Pour éviter tout risque d'incendie ou d'électrocution, débranchez votre appareil de la source d'alimentation CA lors du nettoyage.
- La finition de l'appareil peut être nettoyée avec un chiffon à poussière et entretenue comme les autres meubles. Soyez prudent lorsque vous nettoyez et essuyez les pièces en plastique.
- Si le boîtier devient poussiéreux, essuyez-le avec un chiffon à poussière doux et sec. N'utilisez pas de cire ou de vernis à polir sur le boîtier.
- Si le panneau avant est sale ou taché d'empreintes digitales, il peut être nettoyé avec un chiffon doux légèrement humidifié avec une solution d'eau et de savon doux. N'utilisez jamais de chiffons ou de produits de polissage abrasifs car ils endommageraient la finition de votre appareil.

ATTENTION: Ne laissez jamais d'eau ou d'autres liquides pénétrer à l'intérieur de l'appareil pendant le nettoyage

Données techniques:

Exigences d'alimentation:

Unité principale: 230 V ~ 50 Hz

Télécommande: CR2025 3V

Section lecteur de disque

Système: disque compact et système audio numérique Propriétés de la diode laser

Durée d'émission: continue

Sortie laser: moins de 44,6 mW (cette sortie est la mesure de la valeur à une distance de 200 mm de la surface de l'objectif sur le bloc de lecture optique avec une ouverture de 7 mm.)

Gamme de fréquences

Section tuner FM:

Plage de réglage: 87,5 MHz-108,0 MHz (pas de 50 kHz.)

Puissance des haut-parleurs: 2x 5W

Max: 28W

Appareil de classe 2 d'isolation électrique. Ne nécessite pas de mise à la terre.
L'appareil est conforme aux exigences des directives :

Appareil électrique basse-tension (LVD)

Compatibilité électromagnétique (CEM)

Produit marqué CE sur la plaquette signalétique.



Respect de l'environnement. Nous vous prions de bien vouloir trier les emballages en carton ainsi que les sachets plastiques (en polyéthylène). L'appareil usagé ne doit pas être jeté à la poubelle mais remis au point de collecte prévu à cet effet car il contient des éléments pouvant être nocifs pour l'environnement. L'appareil électrique doit être remis de manière à limiter au maximum une éventuelle utilisation ultérieure. Si l'appareil contient des piles, il faut les retirer et les remettre à un autre point de collecte. Ne pas jeter l'appareil dans une poubelle de déchets

CONDICIONES DE SEGURIDAD INSTRUCCIONES IMPORTANTES SOBRE LA SEGURIDAD DE USO POR FAVOR LEA CUIDADOSAMENTE Y GUARDE PARA FUTURAS REFERENCIAS

Las condiciones de la garantía son diferentes, si el dispositivo se utiliza con fines comerciales.

1. Antes de usar el producto, lea atentamente y cumpla siempre con las siguientes instrucciones. El fabricante no se hace responsable de los daños debidos a un mal uso.
2. El producto solo debe usarse en interiores. No utilice el producto para ningún propósito que no sea compatible con su aplicación.
3. El voltaje aplicable es 230V, ~ 50Hz. Por razones de seguridad, no es apropiado conectar varios dispositivos a una toma de corriente.
4. Por favor, tenga cuidado al usarlo cerca de niños. No deje que los niños jueguen con el producto. No permita que niños o personas que no conocen el dispositivo lo utilicen sin supervisión.
5. **ADVERTENCIA:** Este dispositivo puede ser utilizado por niños mayores de 8 años y personas con capacidades físicas, sensoriales o mentales reducidas, o personas sin experiencia o conocimiento del dispositivo, solo bajo la supervisión de una persona responsable de su seguridad, o si fueron instruidos sobre el uso seguro del dispositivo y están al tanto de los peligros asociados con su funcionamiento. Los niños no deben jugar con el dispositivo. La limpieza y el mantenimiento del dispositivo no deben ser realizados por niños, a menos que tengan más de 8 años y estas actividades se realicen bajo supervisión.
6. Una vez que haya terminado de usar el producto, siempre recuerde quitar suavemente el enchufe de la toma de corriente que sujeta la toma con la mano. Nunca tire del cable de alimentación!
7. Nunca coloque el cable de alimentación, el enchufe o todo el dispositivo en el agua. Nunca exponga el producto a las condiciones atmosféricas, como la luz solar directa o la lluvia, etc. Nunca utilice el producto en condiciones de humedad.
8. Compruebe periódicamente la condición del cable de alimentación. Si el cable de alimentación está dañado, el producto debe dirigirse a un centro de servicio profesional que deba reemplazarse para evitar situaciones peligrosas.
9. Nunca use el producto con un cable de alimentación dañado o si se cayó o dañó de alguna otra manera o si no funciona correctamente. No intente reparar el producto defectuoso, ya que puede provocar una descarga eléctrica. Siempre coloque el dispositivo dañado en un lugar de servicio profesional para repararlo. Todas las reparaciones pueden ser realizadas únicamente por profesionales autorizados. La reparación que se realizó incorrectamente puede causar situaciones peligrosas para el usuario.
10. Nunca ponga el producto sobre o cerca de las superficies calientes o calientes o de los aparatos de cocina como el horno eléctrico o el quemador de gas.
11. Nunca use el producto cerca de combustibles.
12. No deje que el cable cuelgue del borde del mostrador ni que toque superficies calientes.
13. Nunca deje el producto conectado a la fuente de alimentación sin supervisión. Incluso cuando se interrumpa el uso por un corto tiempo, apáguelo de la red, desenchúfelo.
14. Para proporcionar protección adicional, se recomienda instalar un dispositivo de corriente residual (RCD) en el circuito de alimentación, con una corriente nominal máxima de 30 mA. Contacte a un electricista profesional en esta materia.
15. Evita mojar la radio.
16. La radio solo se puede limpiar con un paño seco. No utilice agua ni líquidos de limpieza.
17. La radio debe mantenerse en una habitación seca.

1. INDICADOR EN ESPERA DE ENCENDIDO / APAGADO 2. FUENTE 3. BOTÓN DE CONFIGURACIÓN DE TIEMPO / MEMORIA
4. CANAL DE SINTONIZADOR - 5.AUX IN 6.USB 7. CANAL DE SINTONIZADOR +
8. BOTÓN DE DETENCIÓN DE CD / BOTÓN DE PAR BLUETOOTH
9. BOTÓN DE BÚSQUEDA AUTOMÁTICA DE CD / BLUETOOTH PLAY / PAUSE / RADIO
10. CD / BLUETOOTH SKIP ANTERIOR / TUNE - BOTÓN
11. CD / BLUETOOTH SKIP NEXT / TUNE + BOTÓN
12. MANDO DE CONTROL DE VOLUMEN 13. PANTALLA LCD
14. BOTÓN ABRIR / CERRAR PUERTA CD 15. PUERTA CD 16. ANTENA FM
17. CONECTOR DE AURICULARES 18. CONECTOR DE ALTAVOZ DERECHO 19. CONECTOR DE ALTAVOZ IZQUIERDO
20. ADAPTADOR DE CORRIENTE CC 21. PUERTA DEL COMPARTIMIENTO DE BATERÍA

CONTROL REMOTO:

1. INDICADOR EN ESPERA DE ENCENDIDO / APAGADO 2. BOTÓN DE BÚSQUEDA DIRECTA DISC
3. PROG. BOTÓN 4. BOTÓN CD / USB PISTA ABAJO O TIEMPO ABAJO, BOTÓN ABAJO SINTONIZADOR.
5. BOTÓN DE ECUALIZADOR 6. BOTÓN DE REPETICIÓN 7. BOTÓN DE BAJO X 8. BOTÓN DE SEGUIMIENTO
9. BOTÓN DE BÚSQUEDA AUTOMÁTICA DE CD / BLUETOOTH PLAY / PAUSE / RADIO
10. CD / BLUETOOTH SKIP ANTERIOR / TUNE - BOTÓN
11. CD / BLUETOOTH SKIP NEXT / TUNE + BOTÓN
12. SET DE RELOJ 13. PANTALLA LCD 14. BOTÓN DE PUERTA DE CD ABIERTA / CERRADA
15. PUERTA DE CD 16. ANTENA FM 17. TOMA DE AURICULARES
18. CONECTOR DE ALTAVOZ DERECHO 19. CONECTOR DE ALTAVOZ IZQUIERDO
20. BOTÓN ALEATORIO Y BOTÓN INTRO 21. PUERTA DE COMPARTIMIENTO DE BATERÍA
22. BOTÓN BT PLAY / PAUSE 23. BOTÓN DE VOLUMEN ARRIBA Y ABAJO
24. BOTÓN DE REPRODUCCIÓN / PAUSA DE CD 25. BOTÓN DE DETENCIÓN DE CD

CONEXIONES DEL SISTEMA

Asegúrese de desconectar el cable de alimentación de CA de la toma de corriente de la pared antes de realizar cualquier conexión.

Conexión de corriente alterna

Conecte el cable de alimentación de CA a una toma de CA de 230V ~ 50Hz disponible. Asegúrese de que el enchufe esté bien insertado en la toma de corriente alterna.

Instalación de las baterías para la batería de respaldo

1. Retire la puerta del compartimiento de la batería ubicada en la parte inferior de la unidad principal.
2. Siga las marcas de polaridad dentro del compartimiento de la batería e inserte 2 pilas AAA (no incluidas) en las dos ranuras de la batería ubicadas en el compartimiento de la batería.
3. Vuelva a colocar la tapa de la batería.

NOTAS

· Cuando reemplace las baterías de respaldo, no desconecte el cable de alimentación de CA de la toma de corriente. Si lo hace, se borrarán todas las configuraciones actuales de fecha, hora y alarma.

· Si la unidad se va a desconectar por un período prolongado, retire las baterías para evitar cualquier daño que pueda ocurrir si las baterías tienen fugas y causan corrosión.

Control remoto

El control remoto funciona con una batería de litio CR2025 de 3V (incluida en el control remoto). Para activar el control remoto, retire la pestaña aislante insertada en el compartimiento de la batería.

Si la operación remota se vuelve intermitente o insatisfactoria, reemplace la batería original con una nueva batería de litio CR2025 de 3V.

1. Presione hacia abajo la tapa del compartimiento, extraiga el soporte de la batería de la caja del control remoto.
2. Reemplace la batería asegurándose de que la batería esté instalada correctamente. El control remoto no funcionará si la batería se instala con la polaridad incorrecta.

PRECAUCIÓN:

- 1.) Peligro de explosión si la batería se reemplaza incorrectamente.
- 2.) Reemplace solo con el mismo tipo de batería o equivalente.
- 3.) Inserte el soporte de la batería nuevamente en la ranura de la batería.

ENCENDIDO / APAGADO DE LA UNIDAD

1. En el modo Apagado (en espera), toque el botón ENCENDIDO / EN ESPERA (A1, B1) en la unidad principal o el control remoto para encender la unidad. La unidad se encenderá, el último icono de modo de entrada seleccionado se mostrará en la pantalla LCD.
2. Para APAGAR la unidad (en espera), toque el botón Encendido / EN ESPERA (A1, B1) en la unidad principal o en el control remoto nuevamente. La PANTALLA LCD se atenuará y mostrará la hora actual. El indicador del modo de espera se ilumina.

AJUSTE DEL RELOJ

Después de enchufar la alimentación de CA, aparecerá "00:00" y comenzará a parpadear en la pantalla LCD.

1. En el modo de apagado (espera), presione y mantenga presionado el botón CLOCK SET (B13) en el control remoto o la unidad principal, el formato de 24 HORAS "24H" se mostrará en la pantalla.
2. Toque el botón Anterior / Siguiente (B4, B18) en el control remoto o la unidad principal para seleccionar el formato de 24 horas si es necesario. De lo contrario, presione el botón CLOCK SET (B12) para confirmar el formato del reloj de 12 horas e ingresar al modo de configuración del reloj, los dígitos de la hora parpadearán.
3. Toque el botón Anterior / Siguiente (B4, B18) en el control remoto o la unidad principal para ajustar la hora. Mantenga presionado el botón para avanzar / retroceder rápidamente.

Nota: Asegúrese de que la hora esté configurada para que el indicador PM se muestre correctamente.

4. Presione el botón CLOCK SET (B12) en el control remoto para confirmar la configuración de la hora, los dígitos de los minutos parpadearán para solicitar la entrada.
5. Toque el botón Anterior / Siguiente (B4, B18) en el control remoto o la unidad principal para ajustar los minutos. Mantenga presionado el botón para avanzar / retroceder rápidamente.
6. Presione el botón CLOCK SET (B12) en el control remoto nuevamente para completar la configuración.

NOTA: Los preajustes de la estación de radio y reloj deberán restablecerse si se interrumpe la alimentación o en caso de un corte de energía. Aparecerá "00:00" y comenzará a parpadear en la pantalla LCD para notificarle que se interrumpió la alimentación y que el reloj deberá reiniciarse. Siga los pasos 1-6 anteriores para reiniciar el reloj.

COMPROBACIÓN DEL RELOJ

La unidad mostrará la hora actual en modo de espera. Para verificar la hora actual en el modo de ENCENDIDO, presione y mantenga presionado el botón CLOCK SET (B12) en la unidad principal o el control remoto durante 3 segundos, la hora actual se mostrará durante 5 segundos y luego volverá a la pantalla anterior.

OPERACIÓN DE ALARMA (SOLO CONTROL REMOTO)

AJUSTE DEL RELOJ DE ALARMA

Esta función permite que el sistema se encienda automáticamente y lo active usando una alarma sonora, el CD, USB o BU la RADIO.

1. Mantenga presionado el botón TEMPORIZADOR (B13) en el control remoto hasta que la pantalla muestre "Encendido" y los dígitos de la hora parpaddeen.
2. Presione los botones de botón Anterior / Siguiente (B4, B18) para ajustar los dígitos de la hora, y luego presione el botón TEMPORIZADOR para confirmar. Los dígitos de los minutos parpadearán en la pantalla.
3. Presione los botones del botón Anterior / Siguiente (B4, B18) para ajustar los dígitos de los minutos y luego presione el botón TEMPORIZADOR (B13) para confirmar.
4. Cuando el botón Anterior / Siguiente (B4, B18) en el reloj temporizador está configurado, la pantalla mostrará "OFF" y los dígitos de la hora parpadearán.
5. Presione los botones de botón Anterior / Siguiente (B4, B18) para ajustar los dígitos de la hora, y luego presione el botón TEMPORIZADOR (B13) para confirmar. Los dígitos de los minutos parpadearán en la pantalla.
6. Presione los botones de botón Anterior / Siguiente (B4, B18) en el control remoto para ajustar los dígitos de los minutos, y luego presione el botón TEMPORIZADOR para confirmar.
7. Presione los botones para seleccionar el modo CD, USB, BT o FM, luego presione el botón TIMER (B13) para confirmar. La pantalla mostrará "VOL #%" y parpadeará.
- Presione los botones de botón Anterior / Siguiente (B4, B18) para ajustar el volumen y luego presione el botón TEMPORIZADOR para confirmar.
8. Presione el botón TEMPORIZADOR (B13) para seleccionar "Temporizador activado", y el Temporizador está ahora conjunto.
9. En el modo de espera, el icono del temporizador aparecerá en la pantalla para indicar que el temporizador está encendido.

NOTA:

- 1.) Si se selecciona "Wake to CD, USB" pero no se inserta un CD, la alarma pasará automáticamente a la alarma sonora cuando se alcance el tiempo de activación de la alarma.
- 2.) Para "Wake to Radio", el sistema pasará por defecto a la última estación de radio FM escuchada antes de apagarse.
- 3.) La alarma de crescendo aumentará al nivel de volumen que haya configurado.

FUNCIÓN DE ALARMA ACTIVA / DES-ACTIVA

1. Para activar la ALARMA, toque el botón TEMPORIZADOR (B13) una vez, y el icono de alarma se mostrará en la pantalla LCD.
2. Cancele la función ALARMA tocando nuevamente el botón TEMPORIZADOR (B13). El icono de la alarma se apagará.

Despertador a radio, CD, USB o alarma de zumbador

· Cuando se alcanza la hora de la alarma, la alarma sonora de CD, USB o radio sonará durante 60 minutos, luego se apagará y se reiniciará para el día siguiente (sin presionar el botón de repetición).

· Para detener la alarma inmediatamente después de que suene, toque el botón ENCENDIDO / ESPERA (A1, B1) en el control remoto o en la unidad principal una vez. Se restablece para el día siguiente.

· Para cancelar la alarma del día siguiente, toque el BOTÓN TEMPORIZADOR (B13) una vez, el icono ALARMA se apaga.

OPERACIÓN DE RADIO

1. Toque el botón ENCENDIDO / ESPERA (A1, B1) en la unidad principal o el control remoto para encender la unidad.
2. Toque el botón SOURCE (A1, B11) en la unidad principal o el control remoto para seleccionar el modo FM, la frecuencia de radio FM aparecerá en la pantalla.
3. Para sintonizar manualmente una estación de radio específica, toque Track Down, Track up (A10, A11, B8, B18) en la unidad principal o en el control remoto varias veces. Use el método de sintonización manual para sintonizar estaciones más débiles que se omiten durante la sintonización automática.
4. Para sintonizar automáticamente la siguiente estación de radio disponible, presione y mantenga presionado el botón Track Down (A10, A11, B8, B18) en la unidad principal o el control remoto durante 1-2 segundos hasta que la lectura de frecuencia en la pantalla comience a escanear y luego suelta el botón. El sintonizador dejará de escanear cuando reciba la próxima estación de transmisión con una intensidad de señal adecuada.
5. Presione el control de volumen en la unidad principal o el control remoto para ajustar el control de volumen al nivel de volumen deseado.

Recepción estéreo FM / FM

Cuando escuche la radio FM, presione el botón ST./ MONO (B16) en el control remoto para cambiar entre el modo estéreo y el modo mono. El icono de FM estéreo "ST" aparecerá en la pantalla si la unidad está en modo estéreo. Es preferible recibir el programa en mono cuando recibe una estación débil.

CONSEJOS PARA LA MEJOR RECEPCIÓN:

FM: para una mejor recepción de FM, la antena de cable de FM ubicada en la parte posterior de la unidad debe estar completamente desdoblado y extendido.

NOTA: La sintonización automática depende de la intensidad de la señal de la estación de transmisión, por lo que se pueden omitir las estaciones débiles. Puede sintonizar manualmente para encontrar las estaciones débiles si se salta una estación. Con señales fuertes, el sintonizador puede detenerse antes de que alcance la frecuencia de transmisión real, por lo que es posible que deba sintonizar manualmente para obtener la mejor recepción.

ESTACIONES DE RADIO PREESTABLECIDAS

1. Presione el botón de ENCENDIDO / ESPERA (A1, B1) en la unidad principal o el control remoto para encender la unidad.
 2. Toque el botón FUENTE (A1, B11) en la unidad principal o el control remoto para seleccionar el modo de radio FM.
 3. Presione y mantenga presionado el botón Track Down, Track up (A10, A11, B8, B18) en la unidad principal o el control remoto hasta que la lectura de frecuencia en la pantalla comience a escanear y luego suelte el botón para buscar automáticamente y programar canales preestablecidos. "PROG" aparece en la pantalla y parpadea. La búsqueda automática y el programa se detendrán en P01 una vez finalizado el escaneo, "PROG" se muestra en la pantalla de manera constante.
- Nota: Si los canales almacenados durante la búsqueda automática y el preajuste programado no son los que desea guardar, use el siguiente método para guardar los preajustes de radio manualmente.
4. Sintonice la estación de radio deseada mediante el método de sintonización "manual" o "automática".
 5. Toque el PROG . (B3) en el control remoto, el siguiente número de memoria preestablecida disponible y un PROG parpadeante . El icono (B3) se mostrará en la pantalla LCD. (Nota: "P01" se mostrará en la pantalla si está programando un preset por primera vez)
 6. Toque el PRE. Botón (B15, B19) en la unidad principal o el control remoto para seleccionar el número preestablecido al que desea asignar la estación.
 7. Toque el PROG . (B3) Botón para confirmar la configuración.
 8. Repita los pasos anteriores 4 - 8 para presintonizar hasta 30 estaciones de FM.

RECORDANDO CANALES DE MEMORIA PREESTABLECIDOS

En el modo de radio, recupere los canales preestablecidos presionando PRE. Botón (B15, B19) en el control remoto repetidamente.

OPERACIÓN DEL REPRODUCTOR DE CD

Nota:

- Este reproductor de CD no solo reproducirá CD comerciales, sino también discos CD-R / RW, MP3 autocompilados. No intente reproducir CD-ROM, CDI, VCD, DVD o CD de computadora.
- MP3 es una forma de compresión. Es un acrónimo que significa MPEG Audio Layer 3. MP3 es un tipo de código de audio que se procesa mediante una compresión significativa de la fuente de audio original con muy poca pérdida en la calidad del sonido.
- Este sistema admite archivos MPEG 1 Layer 3 y VBR .
- Durante la reproducción del archivo VBR , el contador de tiempo en la pantalla puede diferir de su tiempo de reproducción real.
- La velocidad de bits compatible con MP3 es de 32 ~ 320 kbps

POR FAVOR LEA ESTA INFORMACIÓN IMPORTANTE:

Los mecanismos de CD utilizados en dispositivos como este están diseñados para leer todos los CD comerciales. También leerá discos MP3, CD-R / CD-RW autocompilados, pero la reproducción puede tardar hasta 10 segundos en comenzar. Si la reproducción no comienza, es probable que se deba a la calidad del disco CD-R / RW , MP3 y / o la compatibilidad del software de compilación de CD. El fabricante no es responsable de la calidad de reproducción de los discos CD-R / RW , Mp3.

No pegue una etiqueta o sello a ninguno de los lados del disco CD-R / RW, MP3. Puede causar un mal funcionamiento.

REPRODUCIENDO UN CD

1. Presione el botón de ENCENDIDO / ESPERA (A1, B1) en la unidad principal o el control remoto para encender la unidad.
2. Toque el botón SOURCE (A1, B11) en el control remoto o la unidad principal para seleccionar el modo CD y luego presione Abrir el compartimento del disco.
3. Coloque un CD de audio en el eje central con el lado de la etiqueta hacia la PUERTA del CD. Cerrar el compartimento del disco.
4. La unidad comienza a leer el disco, "—" aparece en la pantalla y parpadea. Después de unos segundos, el número total de pistas muestra un segundo y luego el tiempo total del CD se mostrará en la PANTALLA LCD.
5. Presione el botón PLAY / PAUSE (A9, B22) en la unidad principal o el control remoto, el indicador PLAY se muestra en la pantalla, el CD comenzará a reproducirse desde la primera pista.
6. Presione el control de volumen Ajuste el volumen. en la unidad principal o en el control remoto para ajustar el nivel de volumen deseado.
7. Para pausar la reproducción, presione el botón PLAY / PAUSE (A9, B22) en la unidad principal o el control remoto. El tiempo de la pista se pausará y el indicador PAUSE se mostrará en la pantalla. Para reanudar la reproducción, presione nuevamente el botón CD PLAY / PAUSE (A9, B22).
8. Puede elegir reproducir su pista favorita directamente presionando Track Down, Track up (A10, A11, B8, B18). La pantalla LCD indicará el número de pista correcto seleccionado.
9. Para ubicar una sección en particular dentro de una pista, presione y mantenga presionada la tecla Track Down, Track up (A10, A11, B8, B18) hasta encontrar la sección. Suelte el botón para continuar jugando su selección.
10. Para detener la reproducción, presione el botón STOP (A8, B25).

PROCEDIMIENTO PARA REPRODUCIR EL DISCO Mp3

Para reproducir CD-R / RW, Mp3

- 1 Presione el botón SOURCE (A1, B11) en el control remoto y cargue un disco Mp3.
- 2 Presione el botón FOLDER (B15, B19) para seleccionar la carpeta de reproducción deseada.

- 3 Seleccione el archivo que desea reproducir presionando el botón Track Down, Track up (A10, A11, B8, B18).
 - 4 Presione PLAY / PAUSE (A9, B22). Se iniciará la reproducción y se mostrará el nombre del archivo.
- s En caso de reproducción con el modo carpeta activado, presione el botón FOLDER (B15, B19), y la carpeta se puede seleccionar aunque esté en modo reproducción / pausa. Continuará el modo de reproducción / pausa en la primera pista de la carpeta seleccionada.

PARA REPRODUCIR EL REPRODUCTOR USB / MP3 CON CARPETA

1. Presione el botón SOURCE (A1, B11) en el control remoto o el botón SOURCE (A1, B11) repetidamente en la unidad principal para seleccionar la función USB. Conecte el dispositivo de memoria USB que tiene archivos en formato MP3 en la unidad. Cuando la memoria USB está conectada a la unidad principal, se mostrará la información del dispositivo.
2. Presione el botón FOLDER (B15, B19) para seleccionar la carpeta de reproducción deseada. Para comenzar la reproducción con el modo de carpeta activado, vaya al paso.
3. Seleccione el archivo que desea reproducir presionando el botón Track Down, Track up (A10, A11, B8, B18).
4. Presione PLAY / PAUSE (A9, B22). Comenzará la reproducción y se mostrará el nombre del archivo.

NOTA:

- Este producto no es compatible con los sistemas de archivos MTP y AAC del dispositivo de almacenamiento masivo USB o reproductor de Mp3.
- Esta unidad es compatible con FAT16 y FAT32, pero algunos medios de almacenamiento USB pueden no ser compatibles con ambos sistemas de archivos. Para obtener más información, consulte el manual de funcionamiento del dispositivo de almacenamiento USB en cuestión o póngase en contacto con el fabricante.

MODO DE SALTO Y BÚSQUEDA

1. Durante el modo de reproducción o pausa, toque el botón Track Down, Track up (A10, A11, B8, B18) para ir a la siguiente pista o volver al comienzo de la pista actual.
2. Durante la reproducción, mantenga presionado Track Down, Track up (A10, A11, B8, B18) para buscar dentro de la pista actual con reproducción audible de alta velocidad.

DIFERENTES MODOS DE JUEGO (SOLO CONTROL REMOTO)

Presione el botón REPEAT (B6) en el control remoto varias veces para seleccionar diferentes modos de reproducción cuando se reproduce un CD.

Al reproducir CD, los modos de reproducción se muestran a continuación:

Repetir

Repite todo

Normal

REPETIR 1: la pista que se está reproduciendo y se repetirá continuamente. Repita un icono "REPETIR 1" se muestra en la pantalla.

REPETIR TODO: todas las pistas se repetirán continuamente. Repetir todo El icono "REPETIR TODO" se muestra en la pantalla.

REPRODUCCIÓN ALEATORIA

Cuando se presiona el botón RANDOM (B20) tres, el indicador " RDM " se iluminará en la pantalla LCD. Las pistas del disco pueden reproducirse en orden aleatorio automáticamente.

Para cancelar la reproducción aleatoria:

Presione el botón RANDOM (B20) nuevamente. El indicador " RDM " desaparecerá.

NOTA:

Si presiona el botón durante la reproducción aleatoria, puede moverse a la pista seleccionada a continuación por la operación aleatoria. Por otro lado, el botón no le permite moverse a la pista anterior. Se ubicará el comienzo de la pista que se está reproduciendo. En reproducción aleatoria, la unidad seleccionará y reproducirá pistas automáticamente. (No puede seleccionar el orden de las pistas).

REPRODUCCIÓN INTRO

1. Presione INTRO (B20) en el control remoto. El indicador "INTRO (B20)" se mostrará en la pantalla.

La unidad reproducirá los primeros 10 segundos de cada pista.

2. Presione INTRO (B20) en el control remoto nuevamente para reanudar la reproducción normal.

PROGRAMACIÓN DE SECUENCIA DE PISTA DE JUEGO

Esta función permite que las pistas se reproduzcan en una secuencia programada. El usuario puede programar hasta 32 pistas en modo CD o 99 pistas en MP3 en cualquier

NOTA: El programa solo se puede configurar en modo STOP.

1. Toque el PROG . Botón (B3) en el control remoto, el número de programa "1" se muestra en la pantalla, el icono " PROG " y el número de pista del CD "- " también parpadean en la pantalla LCD. (Nota: "1 " aparecerá en la pantalla si está programando por primera vez).
2. Use Track Down, Track up (A10, A11, B8, B18) en la unidad principal o el control remoto para seleccionar la pista deseada. El número de pista se mostrará en la pantalla.
3. Toque el PROG . Botón (B3) en la unidad principal o control remoto para almacenar la pista seleccionada en la memoria, el siguiente número de programa avanzará uno (es decir, "2") en la pantalla LCD.
4. Repita los pasos 2 a 3 para almacenar más pistas en la memoria. Puede almacenar hasta CD 32 pistas, MP3 99 pistas. La pantalla mostrará "FUL " después de que las pistas hayan sido programadas.
5. Toque PLAY / PAUSE (A9, B22). en la unidad principal o el control remoto para comenzar a reproducir el CD en la secuencia programada.
6. Presione el botón REPEAT (B6) en el control remoto para seleccionar Repeat 1 / All si es necesario.
7. Para detener la reproducción, presione el botón STOP (A8, B25) en la unidad principal o el control remoto. Para cancelar la reproducción del programa, presione el botón STOP (A8, B25) en la unidad principal o el control remoto dos veces, el icono " PROG " desaparece de la pantalla.

OPERACIÓN BLUETOOTH

Presione el botón ENCENDIDO / ESPERA (A1, B1) para encender la unidad y siga las instrucciones a continuación para conectarse mediante Bluetooth.

VINCULAR (vincular) un teléfono celular CON BLUETOOTH U OTRO DISPOSITIVO CON BLUETOOTH

Si el CR 1173 nunca se ha emparejado con un dispositivo Bluetooth antes. Debe seguir las siguientes instrucciones de emparejamiento para vincular el dispositivo con su dispositivo Bluetooth.

1. Presione el botón de ENCENDIDO / ESPERA (A1, B1) en la unidad principal o el control remoto para encender la unidad.
2. Toque el botón SOURCE (A1, B11) en el control principal o remoto para seleccionar el modo Bluetooth, el mensaje "bt" de Bluetooth aparece en la pantalla y parpadea.
3. Si el CR 1173 nunca se ha emparejado con un dispositivo Bluetooth antes o no puede encontrar el último dispositivo emparejado, el "bt" parpadeante en la pantalla LCD indicará que el XXX está en modo de búsqueda. Debe seguir las siguientes instrucciones de emparejamiento para vincular el dispositivo con su dispositivo Bluetooth.
 - Active la función Bluetooth de su dispositivo Bluetooth y habilite la función de búsqueda o exploración para encontrar el CR 1173.
 - Seleccione "CR 1173" de la lista de dispositivos cuando aparezca en la pantalla de su dispositivo. Si es necesario, ingrese el código de acceso "0000" para vincular (vincular) el CR 1173 con su dispositivo.
4. Después de emparejar (vincular) con éxito, la pantalla cambiará para mostrar "bt" de manera constante, el icono de Bluetooth también se mostrará en la pantalla. Puede comenzar a reproducir música desde su dispositivo Bluetooth de forma inalámbrica al. altavoz.
5. Después de seleccionar su canción favorita, presione el botón PLAY PAUSE (B22, A9) en la unidad o el control remoto para reproducir o pausar la canción.
6. Presione el control de volumen en la unidad principal o el control remoto para ajustar el nivel de volumen deseado.
7. Presione el botón Track Down, Track up (B8, B9) en la unidad principal o en el control remoto para saltar a la canción anterior o siguiente.
8. Si desea emparejar el Dispositivo con otro dispositivo habilitado para Bluetooth, presione y mantenga presionado el botón PAIR (B10) durante 3 segundos o apague la función Bluetooth del dispositivo actualmente emparejado con el Dispositivo y luego repita el paso 3 anterior.

Notas:

- 1.) Consulte el manual de su teléfono celular, tableta, computadora u otros dispositivos habilitados para Bluetooth para la operación de Bluetooth, ya que puede variar de un modelo a otro.
- 2.) Si su dispositivo con Bluetooth no admite el perfil A2DP, no reproducirá la música a través del altavoz, incluso si está emparejado (vinculado).
- 3.) Si está emparejando (vinculando) su computadora con la unidad mediante Bluetooth, es posible que deba configurar el altavoz como el dispositivo de sonido predeterminado de su computadora.

OPERACIÓN DE ENTRADA AUXILIAR

Esta unidad cuenta con un conector de entrada de señal de audio auxiliar para conectar dispositivos de audio externos como reproductores de MP3, dispositivos de audio digital y escucharlos a través de los altavoces de esta unidad.

1. Use un cable de audio (no incluido) con un enchufe estéreo de 3.5 mm en cada extremo del cable.
2. Enchufe un extremo en el AUX IN JACK (A5) de la unidad principal y el otro extremo del cable en el Line-out Jack o Headphone Jack de su dispositivo de audio externo.
3. Encienda la unidad y el dispositivo de audio externo.
4. Toque el botón SOURCE (A1, B11) en el control principal o remoto para seleccionar el modo AUX, el icono "AUX" se enciende, la pantalla muestra el mensaje "AUX".
5. El nivel de volumen ahora se puede controlar a través de la unidad principal. Opere todas las demás funciones en el dispositivo auxiliar como de costumbre.

Nota :

· Si conecta esta unidad al conector de salida de línea de su dispositivo externo, entonces solo necesita ajustar el control de volumen de esta unidad. Si conecta la toma de auriculares de su dispositivo externo, es posible que necesite ajustar tanto los controles de volumen de su dispositivo externo como esta unidad para obtener la configuración de volumen deseable.

EQ PRESET (SOLO CONTROL REMOTO)

Esta unidad proporciona 4 modos de equalización diferentes para mejorar su experiencia auditiva. Puede seleccionar el efecto deseado presionando el botón EQ (B5) en el control remoto repetidamente en la siguiente secuencia:

ROCK POP JAZZ CLASSIC OFF

BOTÓN MUTE (SOLO CONTROL REMOTO)

- Presione el botón MUTE (B21) en el control remoto para silenciar temporalmente la salida de sonido del altavoz. El "V 00" aparecerá en la pantalla.
- Presione de nuevo el botón MUTE (B21) o CONTROL DE VOLUMEN (B23, A12) para reanudar la reproducción normal de los altavoces.

OPERACIONES DE SUEÑO (SOLO CONTROL REMOTO)

El temporizador de apagado le permite apagar la unidad después de que se alcanza un tiempo designado.

1. Para activar el temporizador de apagado, encienda la unidad y toque el botón FUENTE (A1, B11) para seleccionar radio FM, CD, USB, Bluetooth o escuchar música a través de AUX IN.
2. Toque el botón SLEEP (B14) en el control remoto, el icono de tiempo de sueño "SLEEP" aparece en la pantalla.
3. Toque repetidamente el botón SLEEP (B14) para seleccionar un tiempo de reposo. La unidad se apagará después de 10, 20, 30, 40, 50, 60, 70, 80 o 90 minutos. Espere 3 segundos después de su selección para que la unidad confirme la selección, la unidad reproducirá durante el período de tiempo seleccionado y luego se apagará automáticamente.
4. Para cancelar el temporizador de reposo, toque el botón SLEEP (B14) varias veces hasta que el temporizador muestre "OFF", el icono del tiempo de reposo "SLEEP" desaparece en la pantalla.
5. Para apagar la unidad antes del período de tiempo seleccionado, presione el botón ENCENDIDO / ESPERA (A1, B1) en cualquier momento.

Notas:

- 1.) Para verificar el tiempo de reposo restante, toque el botón SLEEP (B14) una vez.
- 2.) Si se está quedando dormido con la música de un dispositivo externo conectado a la entrada AUX, el temporizador de apagado desconectará la alimentación de este sistema pero no apagará el dispositivo externo.

USO DE AURICULARES (NO INCLUIDOS)

Si inserta el enchufe de sus auriculares en el conector de auriculares estéreo (A17), podrá escuchar el CD o la música de la radio en privado. Cuando use auriculares, los altavoces incorporados se desconectarán.

LEA ESTA INFORMACIÓN IMPORTANTE ANTES DE USAR SUS AURICULARES

1. Evite la reproducción prolongada a un volumen muy alto, ya que puede perjudicar su audición.
2. Si siente zumbidos en los oídos, reduzca el volumen o apague la unidad.
3. Mantenga el volumen a un nivel razonable, incluso si sus auriculares son del tipo al aire libre diseñados para permitirle escuchar sonidos externos. Tenga en cuenta que un volumen excesivamente alto puede bloquear los sonidos externos.

RESTABLECER

Si el sistema no responde o tiene una operación errática, es posible que haya experimentado una descarga electrostática (ESD) o una sobrecarga de energía que provocó que la computadora interna se apagara automáticamente. Si esto ocurre, desconecte el cable de CA de la fuente de alimentación, espere 60 segundos y luego vuelva a enchufar el cable de CA a la fuente de alimentación. La unidad se reiniciará, debe configurar el reloj, la alarma y los canales de radio preestablecidos.

CUIDADO Y MANTENIMIENTO

1. No exponga la unidad a fuerza excesiva, golpes o temperaturas extremas (por encima de 40C).
2. No manipule los componentes internos de la unidad.
3. Limpie su unidad con un paño seco. No se deben usar disolventes ni detergentes.
4. Evite dejar su unidad a la luz directa del sol o en lugares calientes, húmedos o polvorientos.
5. Mantenga su unidad alejada de aparatos de calefacción y fuentes de ruido eléctrico, como lámparas fluorescentes o motores.
6. Si se producen interrupciones o interrupciones en la música durante la reproducción del CD, o si el CD no se reproduce, es posible que deba limpiar su superficie inferior. Antes de reproducir, limpie el disco desde el centro hacia afuera con un buen paño de limpieza suave.

LIMPIEZA DE LA UNIDAD

- Para evitar incendios o descargas eléctricas, desconecte la unidad de la fuente de alimentación de CA al limpiarla.
- El acabado de la unidad puede limpiarse con un paño para el polvo y cuidarse como otros muebles. Tenga cuidado al limpiar y limpiar las piezas de plástico.
- Si el gabinete se llena de polvo, límpielo con un paño suave y seco. No use aerosoles de cera o esmalte en el gabinete.
- Si el panel frontal se ensucia o mancha con huellas dactilares, se puede limpiar con un paño suave ligeramente humedecido con una solución de agua y jabón suave. Nunca use paños abrasivos o abrillantadores ya que dañarán el acabado de su unidad.

PRECAUCIÓN: Nunca permita que entre agua u otros líquidos dentro de la unidad mientras limpia

Datos técnicos:

Requerimientos de energía:

Unidad principal: 230V ~ 50Hz

Remoto: CR2025 3V

Sección del reproductor de DISCOS

Sistema: disco compacto y sistema de audio digital Propiedades del diodo láser

Duración de emisión: continua

Salida láser: menos de 44,6 mW (esta salida es la medición del valor a una distancia de 200 mm de la superficie de la lente del objetivo en el bloque de captación óptica con una apertura de 7 mm).

Rango de frecuencia

Sección del sintonizador de FM:

Rango de sintonización: 87.5 MHz-108.0 MHz (paso de 50 kHz).

Este aparato está fabricado con aislamiento de la clase II y no requiere puesta a tierra. El aparato cumple requisitos de las directivas:

Equipo eléctrico de baja tensión (LVD)

Compatibilidad electromagnética (EMC)

Posee la marca CE en la placa nominal

Potencia del altavoz: 2x 5W

Max: 28W



Preocupación por el medio ambiente. Por favor, lleva las cajas de cartón a un sitio de reciclaje. Las bolsas de polietileno se deben tirar al cubo de la basura amarillo (para envases). El equipo gastado debe ser entregado en el punto de almacenamiento adecuado, porque las piezas que constituyen el equipo pueden suponer un peligro para el medio ambiente. Debes entregar el equipo Hay que devolver el equipo eléctrico con el fin de evitar su reutilización. Si en el equipo se encuentran pilas, hay que sacarlas y entregar por separado, en un punto de almacenamiento adecuado. No tires el equipo al contenedor para residuos urbanos!!

CONDIÇÕES DE SEGURANÇA INSTRUÇÕES IMPORTANTES SOBRE A SEGURANÇA DO USO LEIA CUIDADOSAMENTE E MANTENHA-AS PARA REFERÊNCIA FUTURA

As condições de garantia são diferentes, se o dispositivo for usado para fins comerciais.

1. Antes de utilizar o produto, leia atentamente e cumpra sempre as seguintes instruções. O fabricante não é responsável por quaisquer danos devido a qualquer uso indevido.
2. O produto é apenas para ser usado em ambientes fechados. Não use o produto para qualquer finalidade que não seja compatível com sua aplicação.
3. A tensão aplicável é de 230V, ~ 50Hz. Por razões de segurança, não é apropriado conectar vários dispositivos a uma tomada elétrica.
4. Por favor, seja cauteloso ao usar em torno de crianças. Não deixe as crianças brincarem com o produto. Não permita que crianças ou pessoas que não conheçam o dispositivo o usem sem supervisão.
5. **ADVERTÊNCIA:** Este dispositivo pode ser utilizado por crianças com mais de 8 anos de idade e pessoas com capacidades físicas, sensoriais ou mentais reduzidas, ou pessoas sem experiência ou conhecimento do dispositivo, apenas sob a supervisão de uma pessoa responsável pela sua segurança, ou se eles foram instruídos sobre o uso seguro do dispositivo e estão cientes dos perigos associados ao seu funcionamento. As crianças não devem brincar com o dispositivo. A limpeza e a manutenção do dispositivo não devem ser realizadas por crianças, a menos que tenham mais de 8 anos de idade e estas atividades sejam realizadas sob supervisão.
6. Depois de terminar o uso do produto, lembre-se sempre de remover gentilmente o plugue da tomada que segura a tomada com a mão. Nunca puxe o cabo de alimentação !!!
7. Nunca coloque o cabo de alimentação, a ficha ou todo o dispositivo na água. Nunca exponha o produto às condições atmosféricas, como luz solar directa ou chuva, etc. Nunca utilize o produto em condições húmidas.
8. Verifique periodicamente a condição do cabo de alimentação. Se o cabo de alimentação estiver danificado, o produto deve ser virado para um local de serviço profissional a ser substituído, a fim de evitar situações perigosas.
9. Nunca use o produto com um cabo de alimentação danificado ou se ele foi derrubado ou danificado de qualquer outra forma ou se não funcionar corretamente. Não tente consertar o produto defeituoso porque pode causar choque elétrico. Sempre gire o dispositivo danificado para um local de serviço profissional para repará-lo. Todos os reparos podem ser feitos apenas por profissionais autorizados. O reparo que foi feito incorretamente pode causar situações perigosas para o usuário.
10. Nunca coloque o produto sobre ou perto das superfícies quentes ou quentes ou dos utensílios de cozinha, como o forno elétrico ou o queimador a gás.
11. Nunca use o produto perto de combustíveis.
12. Não deixe que o cabo fique pendurado na borda do balcão ou toque em superfícies quentes.
13. Nunca deixe o produto ligado à fonte de alimentação sem supervisão. Mesmo quando o uso for interrompido por um curto período de tempo, desligue-o da rede, desconecte a energia.
14. Para fornecer proteção adicional, recomenda-se a instalação do dispositivo de corrente residual (RCD) no circuito de potência, com classificação de corrente residual não superior a 30 mA. Entre em contato com um electricista profissional nesta matéria.
15. Evite molhar o rádio.
16. O rádio só pode ser limpo com um pano seco. Não use água ou fluidos de limpeza.
17. O rádio deve ser mantido em uma sala seca.

1. INDICADOR DE LIGAR / DESLIGAR EM ESPERA
2. FONTE
3. BOTÃO DE AJUSTE / MEMÓRIA
4. CANAL DE SINTONIZADOR - 5. AUX EM 6. USB 7. CANAL DE SINTONIZADOR +
8. BOTÃO DO PARAGELIZADOR DO CD / BOTÃO PAR DE BLUETOOTH
9. BOTÃO DE PESQUISA AUTOMÁTICA DE CD / BLUETOOTH PLAY / PAUSE / RADIO
10. CD / BLUETOOTH SKIP ANTERIOR / TUNE - BOTÃO
11. CD / BLUETOOTH SKIP PRÓXIMO / SINTONIZAR + BOTÃO
12. BOTÃO DE CONTROLE DE VOLUME
13. DISPLAY LCD
14. BOTÃO ABERTO / FECHADO DA PORTA CD
15. ANTENA POR CD
16. FM
17. JACK DO FONE DE OUVIDO
18. CONECTOR DO ALTO-FALANTE DIREITO
19. CONECTOR DO ALTO-FALANTE ESQUERDO
20. ADAPTADOR DE ENERGIA DC
21. PORTA DO COMPARTIMENTO DA BATERIA

CONTROLE REMOTO:

1. INDICADOR DE LIGAR / DESLIGAR STANDBY
2. BOTÃO DE PESQUISA DIRETA DISC
3. PROG. BOTÃO
4. BOTÃO CD / USB TRACK DOWN ou TIME DOWN, BOTÃO SINTONIZADOR PARA BAIXO.
5. BOTÃO DO EQUALIZADOR
6. BOTÃO DE REPETIÇÃO BOTÃO 7. X-BASS
8. BOTÃO TRACK DOWN
9. BOTÃO DE PESQUISA AUTOMÁTICA DE CD / BLUETOOTH PLAY / PAUSE / RADIO
10. CD / BLUETOOTH SKIP ANTERIOR / TUNE - BOTÃO
11. CD / BLUETOOTH SKIP PRÓXIMO / SINTONIZAR + BOTÃO
12. CONJUNTO DE BLOQUEIO
13. DISPLAY LCD
14. BOTÃO ABERTA / FECHAR DA PORTA CD
15. CD DOOR
16. FM ANTENA
17. Fone de ouvido
18. CONECTOR DIREITO DO ALTO-FALANTE
19. CONECTOR ESQUERDO DO ALTO-FALANTE
20. BOTÃO ALEATORIO E BOTÃO INTRO.
21. PORTA DO COMPARTIMENTO DA BATERIA
22. BOTÃO BT PLAY / PAUSE
23. VOLUM UP UM BOTÃO PARA BAIXO
24. BOTÃO CD PLAY / PAUSE
25. CD BOTÃO PARAR

LIGAÇÕES DO SISTEMA

Certifique-se de desconectar o cabo de alimentação CA da tomada da parede antes de fazer as conexões.

Conexão de energia CA

Conecte o cabo de alimentação CA a uma tomada CA disponível de 230V ~ 50Hz. Verifique se o plugue está firmemente inserido na tomada CA.

Instalação das baterias para o backup de baterias

1. Remova a porta do compartimento da bateria localizada na parte inferior da unidade principal.
2. Siga as marcações de polaridade dentro do compartimento da bateria e insira 2 pilhas AAA (não incluídas) nos dois slots de bateria localizados no compartimento da bateria.
3. Volte a colocar a porta da bateria.

NOTAS:

- Ao substituir as baterias de reserva, não desconecte o cabo de alimentação CA da tomada da parede. Se você fizer isso, todas as configurações atuais de hora e alarme serão apagadas.
- Se a unidade permanecer desconectada por um longo período de tempo, remova as baterias para evitar danos que possam ocorrer se as baterias vazarem e causarem corrosão.

Controle remoto

O controle remoto opera com uma bateria de lítio CR2025 de 3V (incluída no controle remoto). Para ativar o controle remoto, remova a aba do isolador inserida no compartimento da bateria.

Se a operação remota se tornar intermitente ou insatisfatória, substitua a bateria original por uma nova bateria de lítio CR2025 3V.

1. Pressione a tampa do compartimento para baixo, deslize o suporte da bateria para fora do estojo do controle remoto.
2. Substitua a bateria, certificando-se de que a bateria esteja instalada corretamente. O controle remoto não funcionará se a bateria estiver instalada com a polaridade errada.

CUIDADO:

- 1.) Perigo de explosão se a bateria for substituída incorretamente.
- 2.) Substitua apenas por uma bateria do mesmo tipo ou equivalente.
- 3.) Insira o suporte da bateria novamente no slot da bateria.

LIGAR / DESLIGAR A UNIDADE

1. No modo Desligado (em espera), toque no botão POWER / STANDBY (A1, B1) na unidade principal ou no controle remoto para LIGAR a unidade. A unidade será ligada, o último ícone do modo de entrada selecionado será exibido no visor LCD.

2. Para desligar a unidade (modo de espera), toque novamente no botão POWER ON / STANDBY (A1, B1) na unidade principal ou no controle remoto. O visor LCD ficará fraco e mostrará a hora atual. O indicador do modo de espera acende.

DEFININDO O RELÓGIO

Após conectar a alimentação CA, "00:00" aparecerá e começará a piscar no visor LCD.

1. No modo Desligar (Em espera), pressione e mantenha pressionado o botão CLOCK SET (B13) no controle remoto ou na unidade principal, o formato 24 HORAS "24H" será exibido no visor.
2. Toque no botão Anterior / Próximo (B4, B18) no controle remoto ou na unidade principal para selecionar o formato de 24 horas, se necessário. Caso contrário, pressione o botão CLOCK SET (B12) para confirmar o formato do relógio de 12 horas e entrar no modo de configuração do relógio. Os dígitos das horas estarão piscando.

3. Toque no botão Anterior / Próximo (B4, B18) no controle remoto ou na unidade principal para ajustar a hora. Pressione e segure o botão para avançar / retroceder rapidamente.

Nota: Verifique se a hora está definida para que o indicador PM seja exibido corretamente.

4. Pressione o botão CLOCK SET (B12) no controle remoto para confirmar a configuração da hora; os dígitos dos minutos piscarão para solicitar a entrada.

5. Toque no botão Anterior / Próximo (B4, B18) no controle remoto ou na unidade principal para ajustar os minutos. Pressione e segure o botão para avançar / retroceder rapidamente.

6. Pressione o botão CLOCK SET (B12) no controle remoto novamente para concluir a configuração.

NOTA: As predefinições do relógio e da estação de rádio precisarão ser redefinidas se a energia for interrompida ou em caso de falta de energia. "00:00" aparecerá e começará a piscar no visor LCD para notificá-lo de que a energia foi interrompida e que o relógio precisará ser reiniciado. Siga as etapas de 1 a 6 acima para reiniciar o relógio.

VERIFICANDO O RELÓGIO

A unidade mostrará a hora atual no modo de espera. Para verificar a hora atual no modo Power ON, pressione e mantenha pressionado o botão CLOCK SET (B12) na unidade principal ou no controle remoto por 3 segundos; a hora atual será exibida por 5 segundos e retornará à tela anterior.

OPERAÇÃO DE ALARME (SOMENTE CONTROLE REMOTO) DEFININDO O RELÓGIO DE ALARME

Esta função permite que o sistema ligue automaticamente e o ative usando um alarme sonoro, o CD, USB ou BU o RADIO.

1. Pressione e segure o botão TIMER (B13) no controle remoto até que o visor mostre "On" e os dígitos das horas pisquem.

2. Pressione os botões Botão Anterior / Próximo (B4, B18) para ajustar os dígitos das horas e, em seguida, pressione o botão TIMER para confirmar. Os dígitos dos minutos piscarão no visor.

3. Pressione os botões Botão Anterior / Próximo (B4, B18) para ajustar os dígitos dos minutos e, em seguida, pressione o botão TIMER (B13) para confirmar.

4. Quando o botão Anterior / Próximo (B4, B18) On Timer Clock acertado, o display exibirá "OFF" e os dígitos das horas piscarão.

5. Pressione os botões Botão Anterior / Próximo (B4, B18) para ajustar os dígitos das horas e, em seguida, pressione o botão TIMER (B13) para confirmar. Os dígitos dos minutos piscarão no visor.

6. Pressione os botões Botão Anterior / Próximo (B4, B18) no controle remoto para ajustar os dígitos dos minutos e, em seguida, pressione o botão TIMER para confirmar.

7. Pressione os botões para selecionar o modo CD, USB, BT ou FM, depois pressione o botão TIMER (B13) para confirmar. O visor exibirá "VOL #:" e piscará.

Pressione os botões Botão Anterior / Próximo (B4, B18) para ajustar o volume e, em seguida, pressione o botão TIMER para confirmar.

8. Pressione o botão TIMER (B13) para selecionar "Timer On", e o temporizador está agora conjunto.

9. No modo de espera, o ícone do timer aparecerá no visor para indicar que o timer está ativado.

NOTA:

1.) Se "Wake to CD, USB" for selecionado, mas um CD não estiver inserido, o alarme será padronizado automaticamente para o alarme de bipe quando a hora de despertar do alarme for atingida.

2.) Para 'Wake to Radio', o sistema irá padronizar a última estação de rádio FM ouvida antes de desligar.

3.) O alarme crescente aumentará para o nível de volume que você definiu.

FUNÇÃO DE ALARME ATIVO / DESATIVO

1. Para ativar o ALARME, toque no botão TIMER (B13) uma vez e o ícone de alarme será exibido no visor LCD.

2. Cancele a função ALARM tocando novamente no botão TIMER (B13). O ícone do alarme dispara.

Despertar para alarme de rádio, CD, USB ou BUZZER

· Quando a hora do alarme é atingida, o alarme do CD, USB ou bipe do rádio soa por 60 minutos, depois desliga e se redefine para o dia seguinte (sem pressionar o botão de repetição).

· Para interromper o alarme imediatamente após tocar, toque no botão POWER / STANDBY (A1, B1) no controle remoto ou na unidade principal uma vez. Ele se redefine para o dia seguinte.

· Para cancelar o alarme do dia seguinte, toque no botão TIMER (B13) uma vez, o ícone ALARM apaga-se.

OPERAÇÃO DE RÁDIO

1. Toque no botão POWER / STANDBY (A1, B1) na unidade principal ou no controle remoto para ligar a unidade.

2. Toque no botão SOURCE (A1, B11) na unidade principal ou no controle remoto para selecionar o modo FM, a frequência do rádio FM aparece no visor.

3. Para sintonizar manualmente uma estação de rádio específica, toque em Track Down, Track up (A10, A11, B8, B18) na unidade principal ou no controle remoto rapidamente. Use o método de sintonia manual para sintonizar estações mais fracas que são ignoradas durante a sintonização automática.

4. Para sintonizar automaticamente a próxima estação de rádio disponível, pressione e mantenha pressionado o botão Track Down (A10, A11, B8, B18) na unidade principal ou no controle remoto por 1-2 segundos até que a leitura de frequência no visor comece a escanear e depois solte o botão. O sintonizador interromperá a busca quando receber a próxima estação de transmissão com intensidade de sinal adequada.

5. Pressione o controle de volume na unidade principal ou no controle remoto para ajustar o controle de volume ao nível de volume desejado.

Recepção FM / FM estéreo

Ao ouvir rádio FM, pressione o botão ST./ MONO (B16) no controle remoto para alternar entre o modo estéreo e o modo mono. O ícone de FM estéreo "ST" aparecerá no visor se a unidade estiver no modo estéreo. É preferível receber o programa em mono quando você estiver recebendo uma estação fraca.

DICAS PARA A MELHOR RECEPÇÃO:

FM - Para obter a melhor recepção de FM, a antena do cabo de FM localizada na parte traseira da unidade deve ser totalmente desembrulhado e estendido.

NOTA: A sintonização automática depende da intensidade do sinal da estação emissora, portanto, as estações fracas podem ser puladas. Você pode sintonizar manualmente para encontrar as estações fracas se uma estação for pulada. Com sinais fortes, o sintonizador pode parar antes de atingir a frequência de transmissão real; portanto, você pode precisar sintonizar manualmente para obter a melhor recepção.

ESTAÇÕES DE RÁDIO PRESET

1. Pressione o botão POWER / STANDBY (A1, B1) na unidade principal ou no controle remoto para ligar a unidade.
2. Toque no botão SOURCE (A1, B11) na unidade principal ou no controle remoto para selecionar o modo de rádio FM.
3. Pressione e mantenha pressionado o botão Rastrear, Rastrear (A10, A11, B8, B18) na unidade principal ou no controle remoto até que a leitura de frequência no visor comece a varrer e solte o botão para busca automática e programar canais predefinidos. "PROG" aparece no visor e piscando. A pesquisa e o programa automáticos param em P01 após o término da digitalização, "PROG" é exibido constantemente.
- Nota: Se os canais armazenados durante a pesquisa automática e as predefinições programadas não forem os que você deseja salvar, use o método abaixo para salvar as predefinições de rádio manualmente.
4. Sintonize a estação de rádio desejada usando o método de sintonia "manual" ou "automaticamente".
5. Toque no PROG. (B3) no controle remoto, o próximo número de memória predefinida disponível e um PROG piscando. O ícone (B3) será exibido no visor LCD. (Nota: "P01" será exibido no visor se você estiver programando predefinições pela primeira vez)
6. Toque no botão PRE. Botão (B15, B19) na unidade principal ou no controle remoto para selecionar o número programado ao qual deseja atribuir a estação.
7. Toque no PROG. (B3) Botão para confirmar a configuração.
8. Repita as etapas 4 a 8 acima para programar até 30 estações FM.

RECORDANDO CANAIS DE MEMÓRIA PRESET

No modo de rádio, chame os canais predefinidos pressionando o botão PRE. Botão (B15, B19) no controle remoto repetidamente.

OPERAÇÃO DO LEITOR DE CD

Nota:

- 1. Este CD player não reproduz apenas CDs comerciais, mas também discos CD-R / RW, MP3 auto-compilados. Não tente reproduzir CD-ROM, CDI, VCD, DVD ou CDs de computador.
- 2. MP3 é uma forma de compactação. É um acrônimo que significa MPEG Audio Layer 3. MP3 é um tipo de código de áudio que é processado por uma compressão significativa da fonte de áudio original, com muito pouca perda na qualidade do som.
- Este sistema suporta arquivos MPEG 1 Layer 3 e VBR.
- Durante a reprodução do arquivo VBR, o contador de tempo no visor pode diferir do seu tempo real de reprodução.
- A taxa de bits suportada pelo MP3 é de 32 a 320 kbps

LEIA ESTA INFORMAÇÃO IMPORTANTE:

Os mecanismos de CD usados em dispositivos como este são projetados para ler todos os CDs comerciais. Ele também lê discos CD-R / CD-RW e MP3 auto-compilados, mas pode levar até 10 segundos para que a reprodução real comece. Se a reprodução não iniciar, é provável que seja devido à qualidade do CD-R / RW, disco MP3 e / ou à compatibilidade do software de compilação do CD. O fabricante não é responsável pela qualidade da reprodução de discos CD-R / RW, Mp3. Não cole uma etiqueta ou lacre nos dois lados do CD-R / RW, disco MP3. Isso pode causar um mau funcionamento.

REPRODUZINDO UM CD

1. Pressione o botão POWER / STANDBY (A1, B1) na unidade principal ou no controle remoto para ligar a unidade.
2. Toque no botão SOURCE (A1, B11) no controle remoto ou na unidade principal para selecionar o modo CD e pressione o botão Abrir o compartimento do disco.
3. Coloque um CD de áudio no eixo central com o lado da etiqueta voltado para a porta do CD. Feche o compartimento do disco.
4. A unidade começa a ler o disco, "----" aparece no visor e piscando. Após alguns segundos, o número total de faixas mostra um segundo e o tempo total do CD será exibido no visor LCD.
5. Pressione o botão PLAY / PAUSE (A9, B22) na unidade principal ou no controle remoto; o indicador PLAY é exibido no visor; o CD começará a ser reproduzido a partir da primeira faixa.
6. Pressione o controle de volume. Ajuste o volume. na unidade principal ou no controle remoto para ajustar para o nível de volume desejado.
7. Para pausar a reprodução, pressione o botão PLAY / PAUSE (A9, B22) na unidade principal ou no controle remoto. O tempo da faixa será pausado e o indicador PAUSE será exibido no visor. Para retomar a reprodução, pressione o botão CD PLAY / PAUSE (A9, B22) novamente.
8. Você pode optar por reproduzir sua faixa favorita diretamente pressionando as teclas Track Down, Track up (A10, A11, B8, B18). O visor LCD indicará o número de faixa correto selecionado.
9. Para localizar uma seção específica em uma faixa, pressione e mantenha pressionado o botão Track Down, Track up (A10, A11, B8, B18) até que a seção seja encontrada. Solte o botão para continuar reproduzindo sua seleção.
10. Para parar a reprodução, pressione o botão STOP (A8, B25).

PROCEDIMENTO PARA REPRODUZIR DISCO Mp3

Para reproduzir CD-R / RW, Mp3

1. Pressione o botão SOURCE (A1, B11) no controle remoto e coloque um disco Mp3.
 2. Pressione o botão FOLDER (B15, B19) para selecionar a pasta de reprodução desejada.
 3. Selecione o arquivo desejado a ser reproduzido pressionando o botão Track Down, Track up (A10, A11, B8, B18).
 4. Pressione o botão PLAY / PAUSE (A9, B22). A reprodução será iniciada e o nome do arquivo será exibido.
- s No caso de reprodução com o modo de pasta ativado, pressione o botão FOLDER (B15, B19) e a pasta pode ser selecionada mesmo que esteja no modo de reprodução / pausa. Ele continuará o modo de reprodução / pausa na 1ª faixa da pasta selecionada.

PARA REPRODUZIR O LEITOR USB / MP3 COM PASTA

1. Pressione o botão SOURCE (A1, B11) no controle remoto ou o botão SOURCE (A1, B11) repetidamente na unidade principal para selecionar a função USB. Conecte o dispositivo de memória USB que possui arquivos no formato MP3 na unidade. Quando a memória USB estiver conectada à unidade principal, as informações do dispositivo serão exibidas.
2. Pressione o botão FOLDER (B15, B19) para selecionar a pasta de reprodução desejada. Para iniciar a reprodução com o modo de pasta ativado, vá para o passo.
3. Selecione o arquivo desejado a ser reproduzido pressionando o botão Track Down, Track up (A10, A11, B8, B18).
4. Pressione o botão PLAY / PAUSE (A9, B22). A reprodução será iniciada e o nome do arquivo será exibido.

NOTA:

- Este produto não é compatível com sistemas de arquivos MTP e AAC do dispositivo de armazenamento em massa USB ou do MP3 player.
 - Esta unidade suporta FAT16 e FAT32, mas algumas mídias de armazenamento USB podem não suportar os dois sistemas de arquivos. Para detalhes, consulte o manual de operação do dispositivo de armazenamento USB em questão ou entre em contato com o fabricante.
- ### MODO DE SALTO E PESQUISA

1. Durante o modo Reproduzir ou Pausar, toque no botão Rastrear, Rastrear (A10, A11, B8, B18) para ir para a próxima faixa ou voltar ao início da faixa atual.
2. Durante a reprodução, pressione e mantenha pressionado o botão Track Down, Track up (A10, A11, B8, B18) para pesquisar na faixa atual com reprodução audível em alta velocidade.

DIFERENTES MODOS DE REPRODUÇÃO (SOMENTE CONTROLE REMOTO)

Pressione o botão REPEAT (B6) no controle remoto repetidamente para selecionar diferentes modos de reprodução quando o CD estiver sendo reproduzido.

Ao reproduzir CD, os modos de reprodução são mostrados abaixo:

Repetir
Repita tudo
Normal

REPEAT 1 - a faixa sendo reproduzida e repetida continuamente. Repita um ícone "REPEAT 1" é exibido no visor.

REPEAT ALL - todas as faixas se repetem continuamente. O ícone Repetir tudo "REPEAT ALL" é exibido no visor.

JOGADA ALEATÓRIA

Quando o botão RANDOM (B20) é pressionado três, o indicador "RDM" acende no visor LCD. As faixas do disco podem ser reproduzidas em ordem aleatória automaticamente.

Para cancelar a reprodução aleatória:

Pressione o botão RANDOM (B20) novamente. O indicador "RDM" desaparecerá.

NOTA:

Se você pressionar o botão durante a reprodução aleatória, poderá ir para a faixa selecionada a seguir pela operação aleatória. Por outro lado, o botão não permite que você vá para a faixa anterior. O início da faixa sendo reproduzida será localizado.

Em reprodução aleatória, a unidade seleciona e reproduz faixas automaticamente. (Você não pode selecionar a ordem das faixas.)

REPRODUÇÃO INTRODUÇÃO

1. Pressione INTRO (B20) no controle remoto. O indicador "INTRO (B20)" será exibido no visor.

A unidade reproduzirá os primeiros 10 segundos de cada faixa.

2. Pressione INTRO (B20) no controle remoto novamente para retomar a reprodução normal.

PROGRAMAÇÃO PLAY TRACK SEQUENCE

Esta função permite que as faixas sejam reproduzidas em uma sequência programada. O usuário pode programar até 32 faixas no modo CD ou 99 faixas em MP3 em qualquer

NOTA: O programa só pode ser definido no modo STOP.

1. Toque no PROG . Botão (B3) no controle remoto, o número do programa "1" é exibido no visor, o ícone " PROG " e o número da faixa do CD " - " também piscam no visor LCD. (Nota: "1 -" aparecerá no visor se você estiver programando pela primeira vez).
 2. Use o Track Down, Track up (A10, A11, B8, B18) na unidade principal ou no controle remoto para selecionar a faixa desejada. O número da faixa será mostrado no visor.
 3. Toque no PROG . Botão (B3) na unidade principal ou no controle remoto para armazenar a faixa selecionada na memória, o próximo número do programa avançará um (ou seja, "2") no visor LCD.
 4. Repita as etapas 2 a 3 para armazenar mais faixas na memória. Você pode armazenar até CD 32, MP3 99. O visor exibirá " FUL " após a programação das faixas.
 5. Toque no botão PLAY / PAUSE (A9, B22). na unidade principal ou no controle remoto para iniciar a reprodução do CD na sequência programada.
 6. Pressione o botão REPEAT (B6) no controle remoto para selecionar Repeat 1 / All, se necessário.
 7. Para parar a reprodução, pressione o botão STOP (A8, B25) na unidade principal ou no controle remoto.
- Para cancelar a reprodução do programa, pressione o botão STOP (A8, B25) na unidade principal ou no controle remoto duas vezes, o ícone " PROG " desaparece da tela.

OPERAÇÃO BLUETOOTH

Pressione o botão POWER / STANDBY (A1, B1) para ligar a unidade e siga as instruções abaixo para conectar via Bluetooth.

EMPARELHAR (Vincular) um telefone celular habilitado para BLUETOOTH OU OUTROS DISPOSITIVOS habilitados para BLUETOOTH ao dispositivo

Se o CR 1173 nunca foi emparelhado com um dispositivo Bluetooth antes. Você precisa seguir as instruções de emparelhamento abaixo para vincular o dispositivo ao seu dispositivo Bluetooth.

1. Pressione o botão POWER / STANDBY (A1, B1) na unidade principal ou no controle remoto para ligar a unidade.
2. Toque no botão SOURCE (A1, B11) no controle principal ou remoto para selecionar o modo Bluetooth. A mensagem Bluetooth "bt" aparece no visor e piscando.
3. Se o CR 1173 nunca foi emparelhado com um dispositivo Bluetooth antes ou não consegue encontrar o último dispositivo emparelhado, o "bt" intermitente no LCD indica que o XXX está no modo de busca. Você precisa seguir as instruções de emparelhamento abaixo para vincular o dispositivo ao seu dispositivo Bluetooth.
 - Ligue a função Bluetooth do seu dispositivo Bluetooth e ative a função de pesquisa ou verificação para encontrar o CR 1173.
 - Selecione "CR 1173" na lista de dispositivos quando aparecer na tela do seu dispositivo. Se necessário, digite a senha "0000" para emparelhar (vincular) o CR 1173 com o seu dispositivo.
4. Após o emparelhamento com êxito (vinculação), o visor muda para mostrar "bt" constantemente, o ícone do Bluetooth também é exibido no visor. Você pode começar a reproduzir músicas do seu dispositivo Bluetooth sem fio para o alto-falante.
5. Após selecionar sua música favorita, pressione o botão PLAY PAUSE (B22, A9) na unidade ou no controle remoto para reproduzir ou pausar a música.
6. Pressione o controle de volume na unidade principal ou no controle remoto para ajustar o nível de volume desejado.
7. Pressione o botão Track Down, Track up (B8, B9) na unidade principal ou no controle remoto para pular para a música anterior ou a próxima.
8. Se você deseja emparelhar o dispositivo com outro dispositivo habilitado para Bluetooth, pressione e segure o botão PAIR (B10) por 3 segundos ou desligue a função Bluetooth do dispositivo atualmente emparelhado com o dispositivo e repita a etapa 3 acima.

Notas:

- 1.) Consulte o manual do seu telefone celular, tablet PC, computador ou outro dispositivo habilitado para Bluetooth para operação do Bluetooth, pois ele pode variar de modelo para modelo.
- 2.) Se o seu dispositivo habilitado para Bluetooth não suportar o perfil A2DP, ele não tocará a música pelo alto-falante, mesmo se estiver emparelhado (vinculado).
- 3.) Se você estiver emparelhando (vinculando) seu computador à unidade usando Bluetooth, pode ser necessário definir o alto-falante como o dispositivo de som padrão do seu computador.

OPERAÇÃO AUXILIAR DE ENTRADA

Esta unidade possui um conector de entrada de sinal de áudio auxiliar para conectar dispositivos de áudio externos como MP3 players, dispositivo de áudio digital e ouvi-los através dos alto-falantes desta unidade.

1. Use um cabo de áudio (não incluído) com um plugue estéreo de 3,5 mm em cada extremidade do cabo.
2. Conecte uma extremidade ao AUX IN JACK (A5) na unidade principal e a outra extremidade do cabo na tomada de saída de linha ou de fone de ouvido do seu dispositivo de áudio externo.
3. Ligue a unidade e o dispositivo de áudio externo.
4. Toque no botão SOURCE (A1, B11) no controle principal ou no controle remoto para selecionar o modo AUX, o ícone "AUX" liga, o visor mostra a mensagem "AUX".
5. O nível do volume agora pode ser controlado através da unidade principal. Opere todas as outras funções no dispositivo auxiliar, como de costume.

Nota:

- Se você conectar esta unidade à tomada de saída de linha do seu dispositivo externo, precisará ajustar apenas o controle de volume desta unidade. Se você conectar o fone de ouvido do seu dispositivo externo, poderá ser necessário ajustar os controles de volume do seu dispositivo externo e esta unidade para obter a configuração de volume desejada.

EQ PRESET (SOMENTE CONTROLE REMOTO)

Esta unidade fornece 4 modos EQ diferentes para aprimorar sua experiência auditiva. Você pode selecionar o efeito desejado pressionando o botão EQ (B5) no controle remoto repetidamente na seguinte sequência:

ROCK POP JAZZ CLASSIC OFF

BOTÃO MUTE (SOMENTE CONTROLE REMOTO)

- Pressione o botão MUTE (B21) no controle remoto para silenciar temporariamente a saída de som do alto-falante. O "V 00" aparecerá no visor.
- Pressione o botão MUTE (B21) novamente ou CONTROL VOLUME (B23, A12) para retomar a reprodução normal do alto-falante.

OPERAÇÕES DE SONO (SOMENTE CONTROLE REMOTO)

O temporizador permite desligar a unidade após um tempo designado.

1. Para ativar o temporizador, ligue a unidade e toque no botão SOURCE (A1, B11) para selecionar rádio FM, CD, USB, Bluetooth ou ouvir música via AUX IN.
2. Toque no botão SLEEP (B14) no controle remoto, o ícone do horário de sono "SLEEP" aparece no visor.
3. Toque repetidamente no botão SLEEP (B14) para selecionar um tempo de sono. A unidade será desligada após 10, 20, 30, 40, 50, 60, 70, 80 ou 90 minutos. Aguarde 3 segundos após a seleção para a unidade confirmar a seleção, a unidade será reproduzida pelo período de tempo selecionado e, em seguida, desligada automaticamente.
4. Para cancelar o temporizador, toque no botão SLEEP (B14) repetidamente até o temporizador exibir "OFF", o ícone do tempo de suspensão "SLEEP" desaparece no visor.
5. Para desligar a unidade antes do período selecionado, pressione o botão POWER / STANDBY (A1, B1) a qualquer momento.

Notas:

- 1.) Para verificar o tempo restante de sono, toque no botão SLEEP (B14) uma vez.
- 2.) Se você estiver adormecendo com música de um dispositivo externo conectado à entrada AUX, o timer desligará a energia deste sistema, mas não desligará o dispositivo externo.

USANDO FONES DE OUVIDO (NÃO INCLuíDOS)

A inserção do plugue dos fones de ouvido no conector de fone de ouvido estéreo (A17) permitirá que você ouça a música do CD ou do rádio em particular. Ao usar fones de ouvido, os alto-falantes embutidos serão desconectados.

LEIA ESTA INFORMAÇÃO IMPORTANTE ANTES DE USAR OS SEUS FONES DE OUVIDO

1. Evite a reprodução prolongada em volume muito alto, pois isso pode prejudicar sua audição.
2. Se sentir zumbidos nos ouvidos, reduza o volume ou desligue a unidade.
3. Mantenha o volume em um nível razoável, mesmo que o fone de ouvido seja do tipo ao ar livre, projetado para permitir que você ouça sons externos. Observe que o volume excessivamente alto ainda pode bloquear os sons externos.

RESETTING

Se o sistema não responder ou tiver uma operação incorreta, você pode ter sofrido uma descarga eletrostática (ESD) ou uma oscilação de energia que acionou o computador interno para desligar automaticamente. Se isso ocorrer, desconecte o cabo CA da fonte de alimentação, aguarde 60 segundos e conecte-o novamente à fonte de alimentação. A unidade será redefinida, você precisará configurar o relógio, o alarme e os canais de rádio predefinidos.

CUIDADO E MANUTENÇÃO

1. Não submeta a unidade a força excessiva, choque, poeira ou temperatura extrema (acima de 40 ° C).
2. Não adultere os componentes internos da unidade.
3. Limpe sua unidade com um pano seco. Solvente ou detergente nunca deve ser usado.
4. Evite deixar sua unidade sob luz solar direta ou em locais quentes, úmidos ou empoeirados.
5. Mantenha sua unidade longe de aparelhos de aquecimento e fontes de ruído elétrico, como lâmpadas ou motores fluorescentes.
6. Se ocorrerem interrupções ou interrupções na música durante a reprodução do CD ou se o CD não for reproduzido, sua superfície inferior poderá precisar de limpeza. Antes de reproduzir, limpe o disco do centro para fora com um bom pano macio.

LIMPEZA DA UNIDADE

- Para evitar risco de incêndio ou choque, desconecte sua unidade da fonte de alimentação CA durante a limpeza.
- O acabamento da unidade pode ser limpo com um pano contra poeira e tratado com outros móveis. Tenha cuidado ao limpar e limpar as peças plásticas.
- Se o gabinete ficar empoeirado, limpe-o com um pano macio e seco. Não use sprays de cera ou polimento no gabinete.
- Se o painel frontal ficar sujo ou manchado de impressões digitais, ele poderá ser limpo com um pano macio levemente umedecido com uma solução suave de água e sabão. Nunca use panos ou polidores abrasivos, pois isso danificará o acabamento da sua unidade.

CUIDADO: Nunca permita que água ou outros líquidos entrem na unidade durante a limpeza

Dados técnicos:

Requerimentos poderosos:

Unidade principal: 230V ~ 50Hz

Telecomando: CR2025 3V

Seção do player de disco

Sistema: CD e sistema de áudio digital Propriedades do diodo laser

Duração da emissão: Contínuo

Saída a laser: Menos de 44,6 mW (Esta saída é a medição do valor a uma distância de 200 mm da superfície da lente objetiva no bloco de captação óptica com abertura de 7 mm.)

Alcance de frequência

Seção do sintonizador de FM:

Faixa de sintonia: 87,5 MHz-108,0 MHz (etapa de 50 kHz).

Dispositivo fabricado com classe de isolamento II e não precisa de ligação à terra. Dispositivo está conforme com os requisitos das diretivas:

Dispositivo elétrico de baixa voltagem (LVD)

Compatibilidade eletromagnética (EMC)

Produto com símbolo CE na placa de características.

Potência do alto-falante: 2x 5W

Max: 28W



Proteção do meio ambiente. Rogamos, os embalagens de cartão destinem-se para papéis velhos. Os sacos de polietileno (PE) devem-se colocar em contenedores para material plástico. O dispositivo usado deve-se levar a um ponto de armazenamento adequado porque os componentes perigosos que ficam dentro do dispositivo podem ser perigosos para o meio ambiente. O dispositivo elétrico deve-se entregar de modo que se reduza a sua nova utilização e uso. Se no dispositivo há pilhas, devem-se tirar e levar a um ponto de armazenamento em separado. Não colocar o dispositivo em contenedores para resíduos municipais!!

SAUGOS SĄLYGOS SVARBUOŠIOS NAUDOJIMO SAUGOS INSTRUKCIJOS PRASYKITE PRIEŽIŪRA IR ATSARGIAI ATSIŽVELGIANT Į BŪSIMĄ.

Garantijos sąlygos skiriasi, jei prietaisas naudojamas komerciniais tikslais.

1. Prieš naudodami gaminį, atidžiai perskaitykite ir visada laikykitės šių nurodymų.

Gamintojas neatsako už žalą, atsiradusią dėl netinkamo naudojimo.

2. Produktas turi būti naudojamas tik patalpose. Nenaudokite gaminio jokiais tikslais, kurie nesuderinami su jo taikymu.

3. Tinkama įtampa yra 230V, ~ 50 Hz. Saugumo sumetimais netinka prijungti kelių įrenginių prie vieno maitinimo lizdo.

4. Prašome būti atsargiems, kai naudojatės vaikais. Neleiskite vaikams žaisti su produktu.

Neleiskite vaikams ar žmonėms, kurie nežino prietaiso, jį naudoti be priežiūros.

5. ĮSPĖJIMAS: šį prietaisą gali naudoti vaikai, vyresni nei 8 metų, ir asmenys, turintys mažesnes fizines, jutimo ar psichines galimybes, arba asmenys, neturintys patirties ar žinių apie prietaisą, tik prižiūrint asmeniui, atsakingam už jų saugumą, arba jei jie buvo informuoti apie saugų prietaiso naudojimą ir yra informuoti apie pavojus, susijusius su jo veikimu. Vaikai neturėtų žaisti su prietaisu. Prietaiso valymas ir priežiūra neturėtų būti atliekami vaikams, išskyrus atvejus, kai jie yra vyresni nei 8 metų, ir ši veikla vykdoma prižiūrint.

6. Pasibaigus gaminiui, visada nepamirškite atsargiai ištraukti kištuką iš maitinimo lizdo, laikydami ranką. Niekada netraukite maitinimo kabelio !!!

7. Niekada nedėkite maitinimo kabelio, kištuko ar viso prietaiso į vandenį. Niekada nelaikykite gaminio į atmosferos sąlygas, pvz., Tiesiogines saulės šviesas ar lietus ir pan. Niekada nenaudokite produkto drėgnomis sąlygomis.

8. Periodiškai patikrinkite maitinimo kabelio būklę. Jei maitinimo kabelis yra pažeistas, gaminys turi būti pakeistas į profesionalų aptarnavimo vietą, kad būtų išvengta pavojingų situacijų.

9. Niekada nenaudokite gaminio su pažeistu maitinimo kabeliu arba jei jis buvo nukritęs ar kitaip pažeistas, arba jei jis tinkamai neveikia. Nebandykite pataisyti defekto, nes jis gali sukelti elektros smūgį. Kad pataisytumėte, visuomet pasukite sugadintą įrenginį į profesionalų aptarnavimo vietą. Visus remonto darbus gali atlikti tik įgalioti specialistai. Netinkamai atliktas remontas gali sukelti naudotojui pavojingas situacijas.

10. Niekada nedėkite gaminio į karštus ar šiltus paviršius ar virtuvės prietaisus, tokius kaip elektrinė orkaitė arba dujinis degiklis.

11. Niekada nenaudokite produkto šalia degių medžiagų.

12. Neleiskite laidui pakabinti ant skaitiklio krašto arba palieskite karštus paviršius.

13. Niekomet nepalikite gaminio prie maitinimo šaltinio be priežiūros. Net jei naudojimas trumpą laiką nutraukiamas, išjunkite jį iš tinklo, atjunkite maitinimą.

14. Siekiant užtikrinti papildomą apsaugą, rekomenduojama į elektros grandinę įrengti likučio srovės įtaisą (RCD), kurio likutinė srovė yra ne didesnė kaip 30 mA. Kreipkitės į profesionalų elektriką šiuo klausimu.

15. Venkite radijo šlapio.

16. Radiją galima nuvalyti tik sausu skudurėliu. Nenaudokite vandens ar valymo skysčių.

17. Radijas turi būti laikomas sausoje patalpoje.

1. ĮJUNGIMO / IŠJUNGIMO NUSTATYMO RODIKLIS 2. ŠALTINIS 3. LAIKO NUSTATYMO / ATMINTINĖS mygtukas
4. TUNER CHANNEL - 5.AUX IN 6.USB 7.TUNER CHANNEL +
8. CD STOP mygtukas / BLUETOOTH PAIR mygtukas
9. CD / BLUETOOTH PLAY / PAUSE / RADIO AUTO PAIEŠKA
10. CD / BLUETOOTH SKIP PREVIOUS / TUNE - MYGTUKAS
11. CD / BLUETOOTH SKIP NEXT / TUNE + MYGTUKAS
12. TŪRIO VALDYMO KRYPTIS 13. LCD ekranas
14. kompaktinių diskų atidarymas / uždarymo mygtukas 15. kompaktinių diskų durys 16.FM ANTENA
17. AUSINĖS KOMPLEKTAS 18. TEISĖS SPEAKERIO JUNGTIS 19. Kairysis garsiakalbio jungtis
20. DC maitinimo adapteris 21.BATERIJOS SUDĖTINĖS DURY

NUOTOLINIO VALDYMO PULTAS:

1. ĮJUNGIMO / IŠJUNGIMO NUSTATYMO RODIKLIS 2.DISC DIRECT SEARCH MUTTON
3. PROGAS . MYGTUKAS 4. CD / USB TRACK DOWN arba TIME DOWN MUTTON, TUNER DOWN mygtukas.
5. EKVALIZATORIAUS MYGTUKAS 6.SKARTOTAS MYGTUKAS 7.X-BASO MYGTUKAS 8.TRACK DOWN
9. CD / BLUETOOTH PLAY / PAUSE / RADIO AUTO PAIEŠKA
10. CD / BLUETOOTH SKIP PREVIOUS / TUNE - MYGTUKAS
11. CD / BLUETOOTH SKIP NEXT / TUNE + MYGTUKAS
12. UŽDARYMO RINKINYS 13. LCD ekranas 14. CD DURYS ATIDARYTI / UŽDARYTI MYGTUKA
15. kompaktinių diskų durys 16.FM ANTENOS 17. AUSINIŲ PAKETAS
18. TEISĖS SPEAKERIO JUNGTIS 19. Kairysis SPEAKERIO JUNGTIS
20. RANDOMAS MYGTUKAS IR ĮVADINIS MYGTUKAS 21. AKUMULIATORIŲ SUDĖTINĖS durys
22. „ BT PLAY“ / PAUZĖS MYGTUKAS 23. VOLUM AUKŠTYN AUKŠTYN
24. kompaktinių diskų leidimo / pertraukimo mygtukas 25. CD sustabdymo mygtukas

SISTEMOS JUNGTYŠ

Prieš pradėdami jungtis, būtinai atjunkite kintamosios srovės maitinimo laidą nuo elektros tinklo.

Kintamos srovės maitinimo jungtis

Prijunkite kintamosios srovės maitinimo laidą prie turimo 230 V ~ 50 Hz AC lizdo. [sitiinkite, kad kištukas tinkamai įkištas į kintamosios srovės lizdą.

Baterijų įdėjimas, kad būtų sukurta atsarginė baterija

1. Nuimkite akumuliatoriaus skyriaus dureles, esančias pagrindinio įrenginio apačioje.
2. Laikykitės poliškumo žymėjimo, esančio baterijų skyriaus viduje, ir įdėkite 2 x AAA tipo baterijas (neįeina į komplektaciją) į dvi baterijų angą, esančią baterijų skyriuje.
3. Uždėkite akumuliatoriaus dureles.

PASTABOS:

· Keisdami atsargines baterijas, neatjunkite kintamosios srovės maitinimo laido nuo sieninio lizdo. Jei tai padarysite, visi dabartiniai datos ir žadintuvo parametrai bus ištrinti.

· Jei įrenginys ilgą laiką nebus atjungtas nuo elektros tinklo, išimkite baterijas, kad išvengtumėte pažeidimų, kurie gali kilti, jei baterijos nutekės ir sukels koroziją.

Nuotolinio valdymo pultas

Nuotolinio valdymo pultas veikia su viena CR2025 3V ličio baterija (pridedama prie pulto). Norėdami suaktyvinti nuotolinio valdymo pultą, nuimkite izoliatoriaus skirtuką, įdėtą į baterijų skyrių.

Jei nuotolinis valdymas tampa pertraukiamas arba nepatenkinamas, pakeiskite originalią bateriją nauja CR2025 3V ličio baterija.

- 1.Nuspauskite ant skyriaus dangtelio, ištraukite akumuliatoriaus laikiklį iš nuotolinio valdymo pulto.
2. Pakeiskite akumuliatorių, [sitiinkite, kad jis tinkamai įdėtas. Nuotolinio valdymo pultas neveiks, jei baterija įdėta netinkamo poliškumo.

ATSARGIAI:

- 1.) Netinkamai pakeitus akumuliatorių, kyla sprogdimo pavojus.
- 2.) Pakeiskite tik tos pačios ar lygiavertės baterijos.
- 3.) Įdėkite akumuliatoriaus laikiklį atgal į akumuliatoriaus angą.

ĮRENGINIO ĮJUNGIMAS / IŠJUNGIMAS

1. Norėdami išjungti (budėjimo režimą), bakstelėkite POWER / STANDBY mygtuką (A1, B1) pagrindiniame įrenginyje arba nuotolinio valdymo pulte, kad įjungtumėte įrenginį. Įrenginys įsijungs, LCD ekrane pasirodys paskutinė pasirinkto įvesties režimo piktograma.

2. Norėdami išjungti įrenginį (budėjimo režimą), dar kartą bakstelėkite pagrindinio įrenginio arba nuotolinio valdymo pulto maitinimo įjungimo (POWER / STANDBY) mygtuką (A1, B1). LCD DISPLAY bus silpnas ir parodys esamą laiką. Dega laukimo režimo indikatorius.

LAIKRODŽIO NUSTATYMAS

Įjungus kintamąją energiją, LCD ekrane pasirodys pranešimas „00:00“ ir pradės mirksėti.

1. Įjungę išjungimo (budėjimo) režimą, nuotolinio valdymo pulte arba pagrindiniame įrenginyje paspauskite ir laikykite paspaudę mygtuką CLOCK SET (B13), ekrane pasirodys 24 valandos formatas „24H“.

2. Bakstelėkite mygtuką Ankstesnis / Kitas (B4, B18) nuotolinio valdymo pulte arba pagrindiniame įrenginyje, jei reikia, pasirinkite 24 valandų formatą. Priešingu atveju paspauskite mygtuką CLOCK SET (B12), kad patvirtintumėte 12 valandų laikrodžio formatą ir įeitumėte į laikrodžio nustatymo režimą. Valandų skaitmenys mirksės.

3. Bakstelėkite mygtuką Ankstesnis / Kitas (B4, B18) nuotolinio valdymo pulte arba pagrindiniame įrenginyje, kad nustatytumėte valandą. Paspauskite ir palaikykite mygtuką, kad nustatytumėte greitą pirmyn / atgal.

Pastaba: [sitiinkite, kad valanda nustatyta taip, kad PM indikatorius būtų rodomas teisingai.

4. Paspauskite nuotolinio valdymo pulto mygtuką „CLOCK SET“ (B12), kad patvirtintumėte valandos nustatymą. Minutės skaitmenys mirksės ir paprašys įvesti.
5. Norėdami pakoreguoti minutę, bakstelėkite nuotolinio valdymo pulto arba pagrindinio įrenginio mygtuką Ankstesnis / Kitas (B4, B18). Paspauskite ir palaikykite mygtuką, kad nustatytumėte greitą pirmyn / atgal.
6. Norėdami baigti nustatymą, dar kartą paspauskite nuotolinio valdymo pulto mygtuką CLOCK SET (B12).

PASTABA: Laikrodis ir radijo stoties nustatymai turės būti nustatyti iš naujo, jei nutrūktų maitinimas arba nutrūktų energijos tiekimas. LCD ekrane pasirodys „00:00“ ir pradės mirksėti, kad praneštų, kad nutrūko maitinimas ir laikrodį reikės nustatyti iš naujo. Norėdami iš naujo nustatyti laikrodį, atlikite aukščiau pateiktus 1-6 veiksmus.

LAIKRODŽIO PATIKRINIMAS

Įrenginys budėjimo režime parodys dabartinį laiką. Norėdami patikrinti esamą laiką įjungimo režime, palaikykite paspaudę 3 sekundes pagrindinio įrenginio arba nuotolinio valdymo pulto mygtuką CLOCK SET (B12). Esamas laikas rodomas 5 sekundes, o tada grįžtama į ankstesnį ekraną.

SIGNALO VEIKIMAS (TIK TOLIS VALDYMAS)

SIGNALINIO LAIKRODO NUSTATYMAS

Ši funkcija leidžia sistemai įsijungti automatiškai ir jus pažadinti naudojant pytelėjimo signalą, kompaktinį diską, USB arba BU RADIJĄ.

1. Paspauskite ir laikykite nuspaudę nuotolinio valdymo pulto mygtuką TIMER (B13), kol ekrane pasirodys „On“, o valandos skaitmenys blykstelės.
2. Paspauskite mygtuką Ankstesnis / Kitas (B4, B18), kad sureguliuotumėte valandos skaitmenis, tada paspauskite mygtuką TIMER, kad patvirtintumėte. Minutės skaitmenys mirksės ekrane.
3. Paspauskite mygtuką Ankstesnis / Kitas (B4, B18), norėdami sureguliuoti minučių skaičių, tada paspauskite mygtuką TIMER (B13), kad patvirtintumėte.
4. Kai nustatomas laikmatis laikrodžio mygtukas Ankstesnis / Kitas (B4, B18), ekrane pasirodys „OFF“ ir valandos skaitmenys mirksės.
5. Paspauskite mygtuką Ankstesnis / Kitas (B4, B18), kad sureguliuotumėte valandos skaitmenis, tada paspauskite mygtuką TIMER (B13), kad patvirtintumėte. Minutės skaitmenys mirksės ekrane.
6. Norėdami sureguliuoti minučių skaičių, paspauskite nuotolinio valdymo pulto mygtukus Ankstesnis / Kitas mygtukai (B4, B18), tada paspauskite mygtuką TIMER, kad patvirtintumėte.
7. Paspauskite mygtukus, kad pasirinktumėte CD, USB, BT ar FM režimą, tada paspauskite mygtuką TIMER (B13), kad patvirtintumėte. Ekrane pasirodys „VOL #“ ir mirksės.
8. Paspauskite mygtuką Ankstesnis / Kitas (B4, B18), kad sureguliuotumėte garsumą, tada paspauskite mygtuką TIMER, kad patvirtintumėte.
9. Paspauskite mygtuką TIMER (B13), kad pasirinktumėte „Timer On“, ir laikmatis yra rinkinys.
10. Telefonui veikiant budėjimo režimu, ekrane pasirodys laikmatis piktograma, rodanti, kad laikmatis įjungtas.

PASTABA:

- 1.) Jei pasirinktas „Wake to CD, USB“, bet kompaktinis diskas nepasiekiamas, aliarmo numatytoju signalu automatiškai pasigirs signalas, kai pasibaigus aliarmo pabudimo laikas.
- 2.) „Wake to Radio“ atveju sistema pagal nutylėjimą nustatys paskutinę klausytą FM radijo stotį prieš išjungdama.
- 3.) Crescendo aliarmas padidės iki jūsų nustatyto garsumo lygio.

AKTYVUS / NE AKTYVUS SIGNALIZAVIMO FUNKCIJA

1. Norėdami įjungti ALARM signalą, vieną kartą bakstelėkite TIMER (B13) mygtuką, o LCD ekrane pasirodys aliarmo piktograma.
2. Atšaukite ALARM funkciją dar kartą bakstelėdami mygtuką TIMER (B13). Signalizacijos piktograma užges.

Pabandykite į radijo, CD, USB arba BUZZER aliarmą

- Pasibaigus žadintuvo laikui, 60 minučių pasigirs kompaktinio disko, USB arba radijo garsinio signalo signalas, tada jis išsijungs ir atsistatys kitai dienai (nespausdamas atidėjimo mygtuko).
- Norėdami sustabdyti žadintuvą iškart po to, kai jis suskamba, bakstelėkite POWER / STANDBY mygtuką (A1, B1) nuotolinio valdymo pulte arba pagrindiniame įrenginyje. Jis atsistato kitai dienai
- Norėdami atšaukti kitos dienos žadintuvą, vieną kartą bakstelėkite TIMER (B13) MYGTUKĄ, ALARM piktograma užgessta.

RADIJO VEIKIMAS

1. Bakstelėkite POWER / STANDBY mygtuką (A1, B1) pagrindiniame įrenginyje arba nuotolinio valdymo pulte, kad įjungtumėte įrenginį.
2. Bakstelėkite SOURCE mygtuką (A1, B11) pagrindiniame įrenginyje arba nuotolinio valdymo pulte, norėdami pasirinkti FM režimą, ekrane pasirodys FM radijo dažnis.
3. Norėdami rankiniu būdu nustatyti tam tikrą radijo stotį, pakartotinai bakstelėkite „Track Down“, „Track up“ (A10, A11, B8, B18) pagrindiniame įrenginyje arba nuotolinio valdymo pulte. Norėdami nustatyti silpnesnes stotis, kurios apeinamos automatinio nustatymo metu, naudokite rankinio nustatymo metodą.
4. Norėdami automatiškai suderinti kitą galimą radijo stotį, 1-2 sekundes palaikykite paspaudę mygtuką „Track Down“ (A10, A11, B8, B18), kol pagrindinio įrenginio ar nuotolinio valdymo pultas pradės nuskaityti dažnį, tada atleiskite mygtuką. Imtuvus nustoja nuskaityti, kai gaus kitą reikiamo stiprumo transliavimo stotį.
5. Paspauskite pagrindinio įrenginio arba nuotolinio valdymo pulto garsumo valdiklį, kad sureguliuotumėte garsumo valdiklį iki norimo garsumo lygio.

FM / FM stereofoninis priėmimas

Klausydamiesi FM radijo, paspauskite nuotolinio valdymo pulto mygtuką ST/ MONO (B16), kad perjungtumėte stereofoninį ir monofoninį režimą. FM stereo piktograma „ST“ pasirodys ekrane, jei įrenginys veikia stereo režimu. Pageidautina, kad programa būtų rodoma nespalsvota, kai gaunate silpną stotį.

GERIAUSIO PRIĖMIMO PATARIMAI:

FM - norint užtikrinti geriausią FM priėmimą, FM laido antena yra įrenginio gale turėtų būti visiškai išvyniotas ir prailgintas.

PASTABA: automatinis derinimas priklauso nuo transliuojančios stoties signalo stiprumo, todėl silpnos stotys gali būti praleistos. Jei stotis praleidžiama, radijo stotis galite rankiniu būdu nustatyti. Esant stipriems signalams, imtuvas gali sustoti, kol nepasieks tikrojo transliacijos dažnio, todėl gali reikėti rankiniu būdu nustatyti geriausią priėmimą.

IŠANKSTINĖS RADIOJŲ STOTYS

1. Norėdami įjungti įrenginį, pagrindiniame įrenginyje arba nuotolinio valdymo pulte paspauskite mygtuką POWER / STANDBY (A1, B1).
 2. Bakstelėkite SOURCE mygtuką (A1, B1) pagrindiniame įrenginyje arba nuotolinio valdymo pulte, norėdami pasirinkti FM radijo režimą.
 3. Paspauskite ir laikykite nuspaudę pagrindinio įrenginio arba nuotolinio valdymo pulto mygtuką Nusekti, Sekti aukštyn (A10, A11, B8, B18), kol dažnio rodmens ekrane pradės nuskaityti, tada atleiskite automatinės paieškos ir iš anksto nustatytų kanalų mygtuką. Ekране pasirodo ir mirksi „PROG“. Užbaigus skenavimą, automatinė paieška ir programa sustos ties P01, stabiliai ekrane rodoma „PROG“.
- Pastaba: Jei automatinės paieškos ir užprogramuoto išankstinio nustatymo metu išsaugoti kanalai nėra tie, kuriuos norite išsaugoti, naudokite žemiau pateiktą metodą, jei norite rankiniu būdu išsaugoti radijo iš anksto nustatytus parametrus.
4. Sujunkite norimą radijo stotį „rankiniu būdu“ arba „automatiškai“.
 5. Bakstelėkite PROG . (B3) nuotolinio valdymo pulte, kitas galimas iš anksto nustatytas atminties numeris ir mirksi PROG . (B3) piktograma pasirodys LCD ekrane. (Pastaba: jei pirmą kartą programuojate iš anksto, ekrane pasirodys „P01“)
 6. Bakstelėkite PRE. Pagrindinio įrenginio arba nuotolinio valdymo pulto mygtukas (B15, B19), kad pasirinktumėte iš anksto nustatytą numerį, kuriam norite priskirti stotį.
 7. Bakstelėkite PROG . (B3) Nustatymo patvirtinimo mygtukas.
 8. Pakartokite aukščiau 4–8 veiksmus, jei norite iš anksto nustatyti iki 30 FM stočių.

PRISIMINDAMI IŠANKSTINIUS ATMINTIES KANALUS

Radijo režimu iš anksto nustatytus kanalus atšaukite paspausdami PRE. Nuotolinio valdymo pulto mygtukas (B15, B19) pakartotinai.

CD grotuvo veikimas

Pastaba:

1. Šis kompaktinių diskų grotuvas leis ne tik groti komercinius kompaktinius diskus, bet ir savarankiškai sudarytus CD-R / RW, MP3 diskus. Nemėginkite leisti kompaktinių diskų, CDI, VCD, DVD ar kompiuterio kompaktinių diskų.
2. MP3 yra suspaudimo forma. Tai yra santrumpa, reiškianti „MPEG Audio Layer 3“. MP3 yra garso kodo tipas, kuris apdorojamas smarkiai suglaudinant iš pradinio garso šaltinio ir labai mažai prarandant garso kokybę.

 - Ši sistema palaiko MPEG 1 Layer 3 ir VBR failus.
 - Atkuriant VBR failą, laiko skaitiklis ekrane gali skirtis nuo jo tikrojo atkūrimo laiko.
 - MP3 palaikoma duomenų perdavimo sparta yra 32 ~ 320 kbps

Prašome perskaityti šią svarbią informaciją:

Tokuose įrenginiuose naudojami CD mechanizmai yra skirti nuskaityti visus komercinius kompaktinius diskus. Jis taip pat skaitys savarankiškai sudarytus CD-R / CD-RW, MP3 diskus, tačiau tikrojo atkūrimo pradžia gali užtrukti iki 10 sekundžių. Jei atkūrimas neprasideda, greičiausiai dėl CD-R / RW, MP3 disko kokybės ir (arba) dėl kompaktinių diskų rinkimo programinės įrangos suderinamumo. Gamintojas neatsako už CD-R / RW, MP3 diskų atkūrimo kokybę.

Nepriklijuokite etiketės ar antspaudo ant abiejų CD-R / RW, MP3 diskų pusių. Tai gali sukelti gedimą.

Kompaktinio disko grojimas

1. Norėdami įjungti įrenginį, pagrindiniame įrenginyje arba nuotolinio valdymo pulte paspauskite mygtuką POWER / STANDBY (A1, B1).
2. Bakstelėkite SOURCE mygtuką (A1, B1) nuotolinio valdymo pulte arba pagrindiniame įrenginyje, kad pasirinktumėte CD režimą, tada paspauskite Atidaryti disko skyrių.
3. Įdėkite garso kompaktinį diską ant centrinio veleno, jo etiketės puse nukreipta į kompaktinių diskų durų pusę. Uždarykite disko skyrių.
4. Įrenginys pradeda skaityti diską, ekrane ir mirksi „--“. Po kelių sekundžių bendras takelių skaičius rodo vieną sekundę, o bendras kompaktinio disko laikas bus rodomas skystųjų kristalų ekrane.
5. Paspauskite pagrindinio įrenginio arba nuotolinio valdymo pulto mygtuką PLAY / PAUSE (A9, B22), ekrane pasirodys PLAY indikatorius, kompaktinis diskas bus paleistas nuo pirmo takelio.
6. Paspauskite garsumo valdiklį. Sureguliuokite garsumą, pagrindiniame įrenginyje arba nuotolinio valdymo pulte, norėdami nustatyti norimą garsumo lygį.
7. Norėdami pristabdyti atkūrimą, paspauskite pagrindinio įrenginio arba nuotolinio valdymo pulto mygtuką PLAY / PAUSE (A9, B22). Takelio laikas bus pristabdytas ir ekrane pasirodys PAUSE indikatorius. Norėdami tęsti grojimą, dar kartą paspauskite mygtuką CD PLAY / PAUSE (A9, B22).
8. Galite pasirinkti leisti mėgstamą takelį tiesiogiai paspausdami „Track down“, „Track up“ (A10, A11, B8, B18). Skystųjų kristalų ekrane bus rodomas teisingas pasirinkto takelio numeris.
9. Norėdami nustatyti tam tikrą kelio atkarpą, palaikykite paspaudę „Track down“, „Track up“ (A10, A11, B8, B18), kol dalis bus rasta. Atleiskite mygtuką, kad galėtumėte toliau žaisti savo pasirinkimą.
10. Norėdami sustabdyti grojimą, paspauskite mygtuką STOP (A8, B25).

MP3 DISKO ŽAIDIMO TVARKA

Norėdami atkurti CD-R / RW, Mp3

1. Paspauskite nuotolinio valdymo pulto mygtuką SOURCE (A1, B11) ir įdėkite MP3 diską.

2. Norėdami pasirinkti norimą atkūrimo aplanką, paspauskite FOLDER (B15, B19) mygtuką.
 3. Pasirinkite norimą atkurti failą paspausdami mygtuką Track down, Track up (A10, A11, B8, B18).
 4. Paspauskite PLAY / PAUSE (A9, B22). Prasidės atkūrimas ir bus rodomas failo pavadinimas.
- s Jei atkuriate įjungę aplanko režimą, paspauskite FOLDER (B15, B19) mygtuką, kad aplanką būtų galima pasirinkti, net jei jis yra atkūrimo / pauzės režime. Tai tėsis atkūrimo / pristabdymo režimą pasirinkto aplanko 1-ajame takelyje.

Norėdami groti grotuvą USB / MP3 grotuvas su aplanku

1. Norėdami pasirinkti USB funkciją, pakartotinai paspauskite pagrindinio įrenginio mygtuką SOURCE (A1, B11) arba SOURCE mygtuką (A1, B11). Prijunkite USB atminties įrenginį, kuriame yra MP3 formato failai. Kai USB atmintis bus prijungta prie pagrindinio įrenginio, bus rodoma informacija apie įrenginį.
2. Norėdami pasirinkti norimą atkūrimo aplanką, paspauskite FOLDER (B15, B19) mygtuką. Norėdami pradėti atkūrimą įjungę aplanko režimą, pereikite prie veiksmo.
3. Pasirinkite norimą atkurti failą paspausdami mygtuką Track down, Track up (A10, A11, B8, B18).
4. Paspauskite PLAY / PAUSE (A9, B22). Prasidės atkūrimas ir bus rodomas failo pavadinimas.

PASTABA:

- Šis produktas nesuderinamas su MTP ir AAC failų sistemomis iš USB talpyklos ar MP3 grotuvo.
- Šis įrenginys palaiko FAT16 ir FAT32, tačiau kai kurios USB laikmenos gali nepalaikyti abiejų failų sistemų. Išsamesnės informacijos ieškokite atitinkamo USB laikmenos naudojimo vadove arba susisiekite su gamintoju.

SKELBIMO IR PAIEŠKOS REŽIMAS

1. Atkurdami arba pristabdydami, bakstelėkite mygtuką Track down, Track up (A10, A11, B8, B18), kad pereitumėte prie kito takelio arba grįžtumėte prie dabartinio takelio pražios.
2. Atkurdami paspauskite ir laikykite nuspaudę „Track down“, „Track up“ (A10, A11, B8, B18), kad galėtumėte ieškoti dabartinio takelio su garsiniu didelio greičio atkūrimu.

Skirtingi žaidimo režimai (tik nuotolinio valdymo)

Pakartotinai paspauskite mygtuką REPEAT (B6) nuotolinio valdymo pulte, jei norite pasirinkti skirtingus atkūrimo režimus, kai groja kompaktinis diskas.

Kai leidžiate kompaktinį diską, atkūrimo režimai rodomi taip:

Pakartokite
Pakartokite viską
Normalus

REPEAT 1 - grojamas takelis, kuris kartosis nuolat. Pakartokite vieną piktogramą „REPEAT 1“, rodomą ekrane.

REPEAT ALL - visi takeliai bus kartojami nuolat. Pakartoti viską Ekrane rodoma piktograma „REPEAT ALL“.

RANDOMAS ŽAIDIMAS

Paspaudus mygtuką RANDOM (B20) tris, LCD ekrane užsidega indikatorius „RDM“. Takeliai diske gali būti automatiškai atkuriami atsitiktine tvarka.

Jei norite atšaukti atsitiktinį žaidimą:

Dar kartą paspauskite mygtuką RANDOM (B20). „RDM“ indikatorius išnyks.

PASTABA:

Jei paspausite mygtuką atsitiktinio grojimo metu, galite pereiti prie takelio, kurį pasirinksite atsitiktinio veiksmo metu. Kita vertus, mygtukas neleidžia judėti į ankstesnį takelį. Bus nustatyta grojamo takelio pradžia.

Atsitiktinai grojant, įrenginys automatiškai pasirinks ir atkuria takelius. (Negalite pasirinkti takelių tvarkos.)

ĮŽANGA

1. Paspauskite nuotolinio valdymo pulto mygtuką INTRO (B20). Ekrane pasirodys indikatorius „INTRO (B20)“.

Vienetas grįš pirmąsias 10 kiekvieno takelio sekundžių.

2. Norėdami tęsti įprastą atkūrimą, dar kartą paspauskite nuotolinio valdymo pulto mygtuką INTRO (B20).

ŽAISTI TIKSLŲ SEKOS PROGRAMAVIMA

Ši funkcija leidžia takus groti užprogramuota seka. Vartotojas gali užprogramuoti iki 32 takelių kompaktiniame disko režime arba 99 takelius MP3 bet kuriame

PASTABA: programą galima nustatyti tik STOP režimu.

1. Bakstelėkite PROG . Nuotolinio valdymo pulto mygtukas (B3) ekrane rodomas programos numeris „1“, LCD ekrane mirksi „PROG“ piktograma ir CD takelio numeris „-“. (Pastaba: jei pirmą kartą programuojate, ekrane bus „1 -“).

2. Norėdami pasirinkti norimą takelį, naudokite „Track down“, „Track up“ (A10, A11, B8, B18) pagrindiniame įrenginyje arba nuotolinio valdymo pulte. Takelio numeris bus rodomas ekrane.

3. Bakstelėkite PROG . Pagrindinio įrenginio arba nuotolinio valdymo pulto mygtukas (B3), skirtas išsaugoti pasirinktą takelį atmintyje, kitas programos numeris perduos vieną (ty „2“) skystųjų kristalų ekrane.

4. Norėdami išsaugoti atmintyje daugiau takelių, pakartokite 2–3 veiksmus. Galite saugoti iki CD 32, MP3 99 takelių. Po to, kai bus užprogramuoti takeliai, ekrane pasirodys „FUL“.

5. Bakstelėkite **PLAY / PAUSE (A9, B22)**, pagrindiniame įrenginyje arba nuotolinio valdymo pulte, kad kompaktinis diskas būtų paleistas užprogramuota seka.

6. Jei norite pasirinkti Repeat 1 / All, paspauskite nuotolinio valdymo pulto mygtuką **REPEAT (B6)**.

7. Norėdami sustabdyti grojimą, paspauskite pagrindinio įrenginio arba nuotolinio valdymo pulto mygtuką **STOP (A8, B25)**.

Norėdami atšaukti programos atkūrimą, du kartus paspauskite pagrindinio įrenginio arba nuotolinio valdymo pulto mygtuką **STOP (A8, B25)**; „**PROG**“ piktograma išnyks iš ekrano.

BLUETOOTH VEIKIMAS

Paspauskite **POWER / STANDBY** mygtuką (A1, B1), kad įjungtumėte įrenginį, ir vykdykite toliau pateiktas instrukcijas, kad galėtumėte prisijungti per „Bluetooth“.

BLUETOOTH ĮJUNGTIMO mobiliojo telefono **ARBA KITO BLUETOOTH ĮJUNKAMO ĮRENGINIO MĖGINIMAS** (susiejimas) su įrenginiu
Jei „CR 1173“ anksčiau niekada nebuvo suporuotas su „Bluetooth“ įrenginiu. Norėdami susieti įrenginį su „Bluetooth“ įrenginiu, turite vadovautis žemiau pateiktomis susiejimo instrukcijomis.

1. Norėdami įjungti įrenginį, pagrindiniame įrenginyje arba nuotolinio valdymo pulte paspauskite mygtuką **POWER / STANDBY (A1, B1)**.

2. Bakstelėkite **SOURCE** mygtuką (A1, B11) pagrindiniame arba nuotolinio valdymo pulte, norėdami pasirinkti „Bluetooth“ režimą, ekrane pasirodo ir mirksi „Bluetooth“ pranešimas „bt“.

3. Jei CR 1173 niekada nebuvo suporuotas su „Bluetooth“ įrenginiu arba nerandate paskutinio suporuoto įrenginio, LCD ekrane mirksintis „bt“ parodys, kad XXX yra paieškos režimas. Norėdami susieti įrenginį su „Bluetooth“ įrenginiu, turite vadovautis žemiau pateiktomis susiejimo instrukcijomis.

· Įjunkite „Bluetooth“ įrenginio „Bluetooth“ funkciją ir įgalinkite paieškos arba nuskaitymo funkciją, kad rastumėte „CR 1173“.

· Pasirinkite „CR 1173“ iš įrenginių sąrašo, kai jis pasirodys jūsų įrenginio ekrane. Jei reikia, įveskite leidimo kodą „0000“, kad suporuotumėte (susietumėte) CR 1173 su savo prietaisu.

4. Sėkmingai susiejus (susiejus), ekranas pasikeis, kad stabiliai būtų rodomas „bt“, taip pat bus rodoma „Bluetooth“ piktograma. Galite pradėti leisti muziką iš „Bluetooth“ įrenginio belaidžiu būdu per garsiakalbį.

5. Pasirinkę mėgstamą dainą, paspauskite **PLAY PAUSE (B22, A9)** mygtuką įrenginyje arba nuotolinio valdymo pulte, kad paleistumėte ar pristabdytumėte dainą.

6. Paspauskite pagrindinio įrenginio arba nuotolinio valdymo pulto garsumo valdiklį, kad sureguliuotumėte norimą garso lygį.

7. Paspauskite „Track Down“, „Track up“ (B8, B9) mygtuką pagrindiniame įrenginyje arba nuotolinio valdymo pulte, jei norite pereiti prie ankstesnės ar kitos dainos.

8. Jei norite suporuoti įrenginį su kitu „Bluetooth“ palaikančiu įrenginiu, 3 sekundes palaikykite nuspaudę mygtuką **PAIR (B10)** arba išjunkite įrenginio, suderinto su šiuo prietaisu, „Bluetooth“ funkciją, tada pakartokite 3 veiksmą aukščiau.

Pastabos:

1.) Kaip naudotis „Bluetooth“, skaitykite savo mobiliojo telefono, planšetinio kompiuterio, kompiuterio ar kitų „Bluetooth“ įrenginių vadove, nes jis gali skirtis priklausomai nuo modelio.

2.) Jei jūsų „Bluetooth“ įrenginys nepalaiko A2DP profilio, jis nebus atkuriamas per garsiakalbį, net jei suporuotas (susietas).

3.) Jei suporuojate (susiejate) savo kompiuterį su įrenginiu naudodami „Bluetooth“, gali reikėti nustatyti garsiakalbį kaip numatytąjį kompiuterio garso įrenginį.

PAPILDOMA įvesties veikla

Šiame įrenginyje yra papildomas garso signalo įvesties lizdas išoriniams garso įrenginiams, tokiems kaip MP3 grotuvas, skaitmeniniam garso įrenginiui, prijungti ir klausytis jų per šio įrenginio garsiakalbius.

1. Kiekviename laido gale naudokite garso kabelį (nepriededamas) su vienu 3,5 mm stereo kištuku.

2. Vieną galą įkiškite į pagrindinio įrenginio **AUX IN JACK (A5)**, kitą laido galą - į išorinio garso įrenginio išvesties lizdą arba ausinių lizdą.

3. Įjunkite įrenginį ir išorinį garso įrenginį.

4. Bakstelėkite **SOURCE** mygtuką (A1, B11) pagrindiniame arba nuotolinio valdymo pulte, norėdami pasirinkti **AUX** režimą, išjungia „AUX“ piktograma, ekrane pasirodo pranešimas „AUX“.

5. Garsumo lygį dabar galima valdyti per pagrindinį įrenginį. Visas kitas pagalbinio įrenginio funkcijas vykdykite kaip įprasta.

Pastaba:

· Jei jungiate šį įrenginį prie išorinio įrenginio „Line-Out“ lizdo, jums tereikia reguliuoti šio įrenginio garsumo valdymą. Jei prijungsite išorinio įrenginio ausinių lizdą, gali reikėti pakoreguoti ir išorinio įrenginio, ir šio įrenginio garsumo valdiklius, kad gautumėte pageidaujama garsumo parametρά.

PRESET EQ (TIK TOLIS VALDYMAS)

Šis įrenginys siūlo 4 skirtingus EQ režimus, kad pagerintų jūsų klausymąsi. Norimą efektą galite pasirinkti paspausdami nuotolinio valdymo pulto mygtuką **EQ (B5)** pakartotinai tokia seka:

ROCK POP JAZZ CLASSIC OFF

MUTE (TIK TOLIS VALDYMAS)

· Norėdami laikinai nutildyti garsiakalbio garšą, paspauskite nuotolinio valdymo pulto mygtuką **MUTE (B21)**. Ekrane pasirodys „V 00“.

· Norėdami vėl atnaujinti įprastą garsiakalbį atkūrimą, dar kartą paspauskite mygtuką **MUTE (B21)** arba **VOLUME CONTROL (B23, A12)**.

MIEGAMOSIOS OPERACIJOS (TIK TOLIS VALDYMAS)

Miego laikmatis leidžia išjungti įrenginį pasibaigus nurodytam laikui.

· Norėdami suaktyvinti miego laikmatį, įjunkite įrenginį ir bakstelėkite mygtuką „SOURCE“ (A1, B11), norėdami pasirinkti FM radiją, CD, USB, „Bluetooth“ arba klausytis muzikos per AUX IN.

2. Bakstelėkite **SLEEP** mygtuką (B14) nuotolinio valdymo pulte, miego laiko piktograma „SLEEP“ pasirodys ekrane.

3. Norėdami pasirinkti miego laiką, pakartotinai bakstelėkite mygtuką **SLEEP (B14)**. Įrenginys išsiųs po 10, 20, 30, 40, 50, 60, 70, 80 arba 90 minučių. Palaukite 3 sekundes po to, kai pasirinksite, kad įrenginys patvirtintų pasirinkimą, įrenginys groja pasirinktą laiką, tada automatiškai išsijungia.

4. Norėdami atšaukti miego laikmatį, kelis kartus bakstelėkite mygtuką SLEEP (B14), kol laikmatis parodys „OFF“, miego laiko piktogramą „SLEEP“ išnyks ekrane.
5. Norėdami išjungti įrenginį neparinkę nustatyto laiko, bet kuriuo metu paspauskite POWER / STANDBY mygtuką (A1, B1).

Pastabos:

- 1.) Norėdami patikrinti likusį miego laiką, vieną kartą bakstelėkite mygtuką SLEEP (B14).
- 2.) Jei užmiegate nuo išorinio įrenginio, prijungto prie AUX įvesties, muzikos, miego laikmatis išjungs šios sistemos maitinimą, tačiau neišjungs išorinio įrenginio.

AUSINIŲ NAUDOJIMAS (NEĮTRAUKTAS)

Įkišdami ausinių kištuką į stereofoninių ausinių lizdą (A17), galėsite asmeniškai klausytis kompaktinių diskų ar radijo muzikos. Naudojant ausines, įmontuoti garsiakalbiai bus atjungti.

Prieš naudodamiesi ausinėmis, perskaitykite šią svarbią informaciją

1. Venkite ilgo grojimo labai dideliu garsu, nes tai gali pabloginti jūsų klausą.
2. Jei ausyse skamba skambutis, sumažinkite garsą arba išjunkite įrenginį.
3. Laikykite pagrįstą garsumą, net jei jūsų laisvų rankų įranga yra atvira lauke, skirta girdėti išorinius garsus. Atminkite, kad pernelyg didelis garsas vis tiek gali blokuoti išorinius garsus.

NUSTATYMAS

Jei sistema nereaguoja arba veikia netinkamai, galbūt patyrėte elektrosstatinę iškvapą (ESD) arba galios viršįtampį, dėl kurio vidinis kompiuteris automatiškai išsijungė. Tokiu atveju atjunkite kintamosios srovės laidą nuo maitinimo šaltinio, palaukite 60 sekundžių, tada vėl prijunkite kintamosios srovės laidą prie maitinimo šaltinio. Įrenginys bus atstatytas iš naujo, turite nustatyti laikrodį, žadintuvą ir iš anksto nustatytus radijo kanalus.

PRIEŽIŪRA IR PRIEŽIŪRA

1. Nelaikykite įrenginio per didelėje jėgoje, smūgiams, dulkėms ir ekstremaliai temperatūrai (aukštesnei nei 40 ° C).
2. Nepažeiskite vidinių įrenginio komponentų.
3. Nuvalykite įrenginį sausa šluoste. Niekada negalima naudoti tirpiklio ar ploviklio.
4. Venkite palikti įrenginį tiesioginiuose saulės spinduliuose arba karštoje, drėgnoje ar dulkėtoje vietoje.
5. Laikykite įrenginį atokiau nuo šildymo prietaisų ir elektros triukšmo šaltinių, tokių kaip fluorescencinės lempos ar varikliai.
6. Jei grojant kompaktiniams diskams muzika nutrūksta ar nutrūksta arba kompaktinis diskas iš viso nepavyksta leisti, jo apatinį paviršių gali reikėti išvalyti. Prieš žaisdami, nuvalykite diską nuo centro į išorę gera minkšta šluoste.

VIENETO VALYMAS

- Norėdami išvengti gaisro ar šoko pavojaus, valydami atjunkite įrenginį nuo kintamosios srovės šaltinio.
- Įrenginio apdaila gali būti nuvalyta dulkių šluoste ir prižiūrima kaip kiti baldai. Valydami ir valydami plastikines dalis, būkite atsargūs.
- Jei spintelė pasidarė dulkėta, nuvalykite ją minkšta sausa dulkių šluoste. Nenaudokite vaško ar lako purškalo ant spintelės.
- Jei priekinis skydelis purvinas ar suteptas pirštų atspaudais, jį galima nuvalyti minkšta šluoste, šiek tiek sudrėkinta švelniu muilu ir vandens tirpalu. Niekada nenaudokite abrazyvinių šluosčių ar blizginimo priemonių, nes tai sugadins jūsų įrenginio apdailą.

ATSARGIAI: Valydami niekada neleiskite vandens ar kitų skysčių patekti į įrenginio vidų

Techniniai duomenys:

Maitinimo reikalavimai:

Pagrindinis blokas: 230 V ~ 50 Hz

Nuotolinis: CR2025 3V

DISC grotuvo skyrius

Sistema: kompaktinių diskų ir skaitmeninės garso sistemos „Laser Diode“ savybės

Išmetimo trukmė: Nuolatinis

Lazerio išvestis: mažesnė nei 44,6 mW (ši išvestis yra vertės matavimas 200 mm atstumu nuo objektyvo paviršiaus, esant optimaliam paėmimo blokui su 7 mm apertūra.)

Dažnių diapazonas

FM imtuvo skyrius:

Derinimo diapazonas: 87,5 MHz – 108,0 MHz (50 kHz žingsnis).

Garsiakalbio galia: 2x 5W

Max: 28W

Prietaisys yra II izoliacijos klasės ir nereikia jo žeminti. Prietaisais atitinka šių direktyvų reikalavimus:
Elektrinis žemos įtampos prietaisais (LVD)
Elektromagnetinis suderinamumas (EMC)
Prietaisais turi CE ženklą vardinėje lentelėje.



Rūpinantis aplinka. Kartono pakuotes atiduoti į makulaturą. Polietileno (PE) maišelius mesti į plastikui skirtą konteinerį. Susidėvėjusį prietaisą atiduoti į atitinkama atliekų surinkimo vietą, nes prietaisais esančios pavojingos medžiagos gali kelti grėsmę aplinkai. Elektrinį prietaisą atiduoti tokį, kad nebūtų galima jo pakartotinai naudoti ir panaudoti. Jeigu prietaisais yra baterijos, būtina jas išimti ir atskirai atiduoti į atliekų surinkimo vietą. Nemesti prietaisais į buitinių atliekų konteinerį!

LATVIEŠU

DROŠĪBAS NOSACĪJUMI SVARĪGI NORĀDĪJUMI PAR LIETOŠANAS DROŠĪBU LŪDZU LŪDZAM UZMANĪGI UN NEPIECIEŠAMS UZ TURPMĀKO REFERENCES

Garantijas nosacĪjumi ir atšķirīgi, ja ierīci izmanto komerciāliem mērķiem.

1. Pirms lietošanas uzmanīgi izlasiet un vienmēr ievērojiet sekojošos norādījumus. Ražotājs nav atbildīgs par zaudējumiem, kas radušies nepareizas lietošanas rezultātā.
2. Produkts jāizmanto tikai telpās. Nelietojiet izstrādājumu jebkādiem mērķiem, kas nav saderīgi ar tās lietojumu.
3. Piemērojamā spriegums ir 230V, ~ 50Hz. Drošības apsvērumu dēļ nav lietderīgi savienot vairākas ierīces vienā kontaktligzdā.
4. Lūdzu, esiet piesardzīgi, lietojot apkārt bērniem. Neļaujiet bērniem spēlēt kopā ar produktu. Neļaujiet bērniem vai cilvēkiem, kuri nezina ierīci, to izmantot bez uzraudzības.
5. BRĪDINĀJUMS: Šo ierīci var izmantot bērni, kas ir vecāki par 8 gadiem, un personas ar ierobežotām fiziskām, sensoriskām vai garīgām spējām, vai personas, kurām nav pieredzes vai zināšanu par ierīci, tikai personas, kas ir atbildīga par viņu drošību, uzraudzībā, vai ja viņi ir informēti par ierīces drošu lietošanu un ir informēti par briesmām, kas saistītas ar tās darbību. Bērni nedrīkst spēlēt ar ierīci. Ierīces tīrīšanu un apkopi nedrīkst veikt bērni, ja vien viņi nav vecāki par 8 gadiem, un šīs darbības tiek veiktas uzraudzībā.
6. Pēc tam, kad esat pabeidzis produkta lietošanu, vienmēr atcerieties, ka uzmanīgi noņemiet kontaktdakšu no strāvas kontaktligzdas, turot kontaktlīdzi ar roku. Nekad neizvelciet strāvas kabeli !!!
7. Nevietojiet strāvas kabeli, kontaktdakšu vai visu ierīci ūdenī. Nekad nepakļaujiet produktu atmosfēras apstākļiem, piemēram, tiešai saules gaismai vai lietus utt. Nekad nelietojiet produktu mitros apstākļos.
8. Periodiski pārbaudiet strāvas kabeļa stāvokli. Ja strāvas kabelis ir bojāts, produkts jāvērstas pie profesionālas apkalpošanas vietas, lai to nomainītu, lai izvairītos no bīstamām situācijām.
9. Nekad nelietojiet izstrādājumu ar bojātu strāvas kabeli vai, ja tas ir nokritis vai bojāts citā veidā vai ja tas nedarbojas pareizi. Nemēģiniet sevi labot pats, jo tas var izraisīt elektriskās strāvas triecienu. Lai to labotu, vienmēr nogrieziet bojāto ierīci profesionālā pakalpojuma vietā. Visus remontus var veikt tikai pilnvaroti servisa speciālisti. Nepareizi veikts remonts var radīt lietotājam bīstamas situācijas.
10. Nevietojiet izstrādājumu karstā vai siltajā virsmā vai virtuves ierīcēs, piemēram, elektriskajā cepeškrāsnī vai gāzes deglī.
11. Nekad nelietojiet produktu tuvu degošiem materiāliem.
12. Neaizstājiet, lai vads karājas pār skaitītāja malu vai pieskarieties karstām virsmām.
13. Nekad neatstājiet ierīci pieslēgtam strāvas avotam bez uzraudzības. Pat ja lietošana tiek pārtraukta uz īsu laiku, izslēdziet to no tīkla, atvienojiet strāvas padevi.
14. Lai nodrošinātu papildu aizsardzību, ieteicams strāvas ķēdē uzstādīt atlikuma strāvas ierīci (RCD) ar atlikušās strāvas vērtējumu ne vairāk kā 30 mA. Sazinieties ar profesionālu elektrīķi šajā jautājumā.
15. Izvairieties no radio uztveršanas.
16. Radio var noslaucīt tikai ar sausu drānu. Neizmantojiet ūdeni vai tīrīšanas šķidrumus.

17. Radio jāglabā sausā tēlā.

IERĪCE:

1. STARBĪBAS INDIKATORA POWER ON / OFF / IZSLĒGŠANAS 2. AVOTS 3.TIME SET / MEMORY Button
4. TUNER CHANNEL - 5.AUX IN 6.USB 7.TUNER CHANNEL +
8. CD STOP POGA / BLUETOOTH PAIR Button
9. CD / BLUETOOTH PLAY / PAUSE / RADIO AUTO SEARCH Button
10. CD / BLUETOOTH SKIP PREVIOUS / TUNE - Button
11. CD / BLUETOOTH SKIP NEXT / TUNE + Button
12. SKALUMA KONTROLES KOLE 13. LCD EKRĀNS
14. CD durvju atvēršana / aizvēršanas poga 15. CD durvju 16.FM ANTENNA
17. AUSTIŅAS JACK 18. PAREIZAIS SPEAKER SAVIENOTĀJS 19.LEFT SPEAKER CONNECT
20. DC strāvas adapteris 21. AKUMULATORU SASTĀVDALĀS

TĀLVADĪBA:

1. STARBĪBAS INDIKATORA POWER ON / OFF / IZSLĒGTS
3. PROG . BUTTON 4. CD / USB TRACK DOWN VAI LAIKA LEJUPIELA, TUNER DOWN Button.
5. EKVALIZATORA POGA 6.Atkārtota poga 7.x-Bass poga 8.TRACK poga
9. CD / BLUETOOTH PLAY / PAUSE / RADIO AUTO SEARCH Button
10. CD / BLUETOOTH SKIP PREVIOUS / TUNE - Button
11. CD / BLUETOOTH SKIP NEXT / TUNE + Button
- 12.SLĒGŠANAS KOMPLEKTS 13. LCD displejs 14. CD durvju atvēršana / aizvēršanas poga
15. CD DURVIS 16.FM ANTENNA 17. AUSTIŅA JACK
18. PAREIZAIS SPEAKERA SAVIENOTĀJS 19.KREISĀIS SPEAKERA SAVIENOTĀJS
20. RANDOM PUNKTS UN INTRO POGA 21. AKUMULATORU SASTĀVDALĀS
22. BT SPĒLĒŠANAS / PAUZĒŠANAS PUNKTS
24. CD ATSKAŅOŠANAS / PAUZES POGA 25.CD PĀRTRAUKT pogu

SISTĒMU SAVIENOJUMI

Pirms jebkādu savienojumu izveidošanas noteikti atvienojiet maiņstrāvas vadu no sienas kontaktligzdas.

Maiņstrāvas savienojums

Pievienojiet maiņstrāvas vadu pieejamajai 230 V ~ 50 Hz maiņstrāvas kontaktligzdai. Pārliecinieties, ka kontaktdakša ir droši ievietota maiņstrāvas kontaktligzdā

Bateriju ievietošana akumulatora dublēšanai

1. Noņemiet akumulatora nodalījuma durvis, kas atrodas galvenās ierīces apakšā.
2. Sekojiet polaritātes marķējumam akumulatora nodalījumā un ievietojiet 2 x AAA baterijas (nav iekļautas komplektā) divās bateriju spraugās, kas atrodas bateriju nodalījumā.
3. Uzlieciet atpakal akumulatora vāku.

PIEZĪMES:

· Nomainot rezerves baterijas, neatvienojiet maiņstrāvas vadu no sienas kontaktligzdas. Ja to izdarīsiet, tiks izdzēsti visi pašreizējie datuma laika un trausmes iestatījumi.

· Ja iekārta ilgstoši netiks atvienota no elektrības, izņemiet baterijas, lai izvairītos no bojājumiem, kas var rasties, ja baterijas noplūst un izraisa koroziju.

Tālvadība

Tālvadības pults darbojas ar vienu CR2025 3V litija akumulatoru (iekļauts tālvadības pultī). Lai aktivizētu tālvadības pulti, noņemiet akumulatora nodalījumā ievietoto izolatora ciliņi.

Ja tālvadības darbība kļūst periodiska vai neapmierinoša, nomainiet oriģinālo akumulatoru ar jaunu CR2025 3V litija akumulatoru.

1.Nospiediet uz nodalījuma pārsega un izbīdiēt akumulatora turētāju no tālvadības pults.

2. Nomainiet akumulatoru, pārliecinoties, ka akumulators ir ievietots pareizi. Tālvadības pults nedarbosies, ja akumulators ir uzstādīts ar nepareizu polaritāti.

UZMANĪBU:

- 1.) Nepareizi nomainīta akumulatora eksplozijas briesmas.
- 2.) Nomainiet tikai ar tāda paša vai līdzvērtīga tipa akumulatoru.
- 3.) Ievietojiet akumulatora turētāju atpakal akumulatora slotā.

IERĪCES ieslēgšana / izslēgšana

1. Izslēgtā (gaidstāves) režīmā pieskarieties POWER / STANDBY pogai (A1, B1) galvenajā ierīcē vai tālvadības pultī, lai ierīci ieslēgtu. Ierīce ieslēgsies, LCD displejā parādīsies pēdējā atlasītā ievades režīma ikona.

2. Lai izslēgtu ierīci (gaidīšanas režīmā), vēlreiz pieskarieties galvenās ierīces vai tālvadības pults barošanas ieslēgšanas / ieslēgšanas / izslēgšanas pogai (A1, B1). LCD displejs kļūs aptumšots un parādīs pašreizējo laiku. Deg gaidīšanas režīma indikators.

Pulksteņa iestatīšana

Pēc maiņstrāvas pievienošanas LCD displejā parādīsies "00:00" un sāks mirgot.

1. Izslēgšanas (gaidīšanas) režīmā nospiediet un turiet nospiestu taustiņu CLOCK SET (B13) uz tālvadības pults vai galvenās ierīces, displejā parādīsies 24 HOUR formāts "24H".

2. Pieskarīeties tālruna pults vai galvenās ierīces pogai iepriekšējais / Nākamais (B4, B18), lai vajadzības gadījumā izvēlētos 24 stundu formātu. Pretējā gadījumā nospiediet pogu CLOCK SET (B12), lai apstiprinātu 12 stundu pulksteņa formātu un pārietu uz pulksteņa iestatīšanas režīmu. Stundas cipari mirgos.
3. Pieskarīeties tālruna pults vai galvenās ierīces pogai iepriekšējā / Nākamā (B4, B18), lai pielāgotu stundu. Nospiediet un turiet pogu, lai ātri iestatītu / mainītu iestatījumu.
Piezīme: Pārlicinieties, vai stunda ir iestatīta tā, lai PM indikators tiktu parādīts pareizi.
4. Nospiediet tālruna pults pogu CLOCK SET (B12), lai apstiprinātu stundas iestatījumu; mirgos minūšu cipari, lai pieprasītu ievadīšanu.
5. Pieskarīeties tālruna pults vai galvenās ierīces pogai iepriekšējā / Nākamā (B4, B18), lai pielāgotu minūti. Nospiediet un turiet pogu, lai ātri iestatītu / mainītu iestatījumu.
6. Vēlreiz nospiediet tālruna pults pogu CLOCK SET (B12), lai pabeigtu iestatīšanu.

PIEZĪME. Ja strāva tiek pārtraukta vai ja notiek strāvas padeves pārtraukums, pulksteņa un radiostācijas iestatījumi būs jāatstata. LCD displejā parādīsies "00:00" un sāks mirgot, lai brīdinātu, ka barošana ir pārtraukta un pulkstenis būs jāiestata. Lai atiestatītu pulksteni, lūdz, veiciet 1. – 6. Darbību.

PULKA PĀRBAUDE

Ierīce gaidīšanas režīmā parādīs pašreizējo laiku. Lai pārbaudītu pašreizējo laiku ieslēgšanas / izslēgšanas režīmā, nospiediet un 3 sekundes turiet nospiediet taustiņu CLOCK SET (B12) uz galvenās ierīces vai tālruna pults, pašreizējais laiks parādīsies 5 sekundes un pēc tam atgriezīsies iepriekšējā ekrānā.
Trauksmes signāla darbība (tikai tālruna kontrolei)

BRĪDINĀJUMA pulksteņa iestatīšana

Šī funkcija ļauj sistēmai automātiski ieslēgties un modināt jūs, izmantojot skaņas signālu, kompaktdisku, USB vai BU RADIO.

1. Nospiediet un turiet taustiņu TIMER (B13) uz tālruna pults, līdz displejā parādās "On" un stundu cipari mirgo.
2. Nospiediet taustiņu Previous / Next Button (B4, B18), lai pielāgotu stundas ciparus, un pēc tam nospiediet pogu TIMER, lai apstiprinātu. Displejā mirgos minūšu cipari.
3. Nospiediet taustiņu Previous / Next Button (B4, B18), lai pielāgotu minūtes ciparus, un pēc tam nospiediet pogu TIMER (B13), lai apstiprinātu.
4. Kad ir iestatīta iestatīta taimera pulksteņa poga iepriekšējā / Nākamā (B4, B18), displejā parādīsies "OFF" un stundu simboli mirgos.
5. Nospiediet taustiņu Previous / Next Button (B4, B18), lai pielāgotu stundas ciparus, un pēc tam nospiediet pogu TIMER (B13), lai apstiprinātu. Displejā mirgos minūšu cipari.
6. Nospiediet tālruna pults taustiņu Previous / Next Button (B4, B18), lai pielāgotu minūšu ciparus, un pēc tam nospiediet taustiņu TIMER, lai apstiprinātu.
7. Nospiediet pogas, lai izvēlētos CD, USB, BT vai FM režīmu, pēc tam nospiediet pogu TIMER (B13), lai apstiprinātu. Displejā parādīsies "VOL # " un mirgos.
8. Nospiediet taustiņu Previous / Next Button (B4, B18), lai pielāgotu skaļumu, un pēc tam nospiediet pogu TIMER, lai apstiprinātu.
9. Nospiediet pogu TIMER (B13), lai izvēlētos "Timer On", un Timer is now komplekts.
9. Gaidīšanas režīmā displejā parādīsies taimera ikona, kas norāda, ka taimeris ir ieslēgts.

PIEZĪME:

- 1.) Ja ir atlasīts "Wake to CD, USB", bet nav ievietots kompaktdisks, trauksmes signāls pēc noklusējuma automātiski aktivizēs signāla signālu, kad būs sasniegts trauksmes modināšanas laiks.
- 2.) "Wake to Radio" gadījumā sistēma pēc noklusējuma noklusēs pēdējo FM klausīto FM staciju.
- 3.) Crescendo trauksme palielināsies līdz jūsu iestatītajam skaļuma līmenim.

AKTĪVA / NE AKTĪVA trauksmes funkcija

1. Lai aktivizētu trauksmi, vienreiz pieskarīeties pogai TIMER (B13), un trauksmes ikona parādīsies LCD displejā.
2. Atceliet ALARM funkciju, vēlreiz pieskarīeties pogai TIMER (B13). Trauksmes ikona nodzīs.

Modiniet radio, CD, USB vai BUZZER trauksmi

- Kad ir sasniegts modinātāja laiks, 60 minūtes atskanēs kompaktdiska, USB vai radio signāla signāls, pēc tam tas tiks izslēgts un atiestatīts uz nākamo dienu (nespiežot atlikšanas pogu).
- Lai apturētu trauksmi tūlīt pēc tā izklausīšanās, vienreiz pieskarīeties tālruna pults vai galvenās ierīces pogai POWER / STANDBY (A1, B1). Tas atiestatās nākamajai dienai.
- Lai atceltu nākamo dienas modinātāju, vienreiz piesietiet taimera taustiņam (B13), ALARM ikona izzīst.

RADIO DARBĪBA

1. Lai ieslēgtu ierīci, galvenajā ierīcē vai tālruna pultī pieskarīeties pogai POWER / STANDBY (A1, B1).
2. Pieskarīeties galvenās ierīces vai tālruna pults taustiņam SOURCE (A1, B11), lai izvēlētos FM režīmu, displejā parādās FM radio frekvence.
3. Lai manuāli noskaņotos uz noteiktu radiostaciju, vairākkārt pieskarīeties vienam Track Down, Track up (A10, A11, B8, B18) galvenajā blokā vai tālruna pultī. Izmantojiet manuālo iestatīšanas metodi, lai noregulētu vājākās stacijas, kuras tiek apietas automātiskās noskaņošanas laikā.
4. Lai automātiski iestatītu nākamo pieejamo radiostaciju, nospiediet un 1-2 sekundes turiet galvenās ierīces vai tālruna pults izsekošanas pogu (A10, A11, B8, B18), līdz frekvences nolasiņums displejā sāk skenēt un pēc tam atļaidiet pogu. Skaļotājs pārtrauks skenēšanu, kad saņem nākamo apraides staciju ar pietiekamu signāla stiprumu.

FM / FM stereo uztveršana

Klausoties FM radio, nospiediet tālvadības pults pogu ST./ MONO (B16), lai pārslēgtos no stereo uz mono režīmu. FM stereo ikona "ST" parādīsies displejā, ja iekārta atrodas stereo režīmā. Programmu vēlamā saņem mono, kad saņemat vāju staciju.

LABĀKĀS UZNEMŠANAS RAKSTI:

FM - labākajai FM uztveršanai, FM svina vada antena, kas atrodas ierīces aizmugurē būtu pilnībā jāizpako un jāpagarina.

PIEZĪME. Automātiskā iestatīšana ir atkarīga no apraides stacijas signāla stipruma, tāpēc vājās stacijas var tikt izlaistas. Ja stacija tiek izlaista, varat manuāli noskaņoties, lai atrastu vājās stacijas. Ja ir spēcīgi signāli, uztvērējs var apstāties, pirms tas sasniedz faktisko apraides frekvenci, tāpēc, iespējams, būs manuāli jānoskaņo vislabākajai uztveršanai.

PRESET RADIO STACIJAS

1. Lai ieslēgtu ierīci, nospiediet galvenās ierīces vai tālvadības pults pogu POWER / STANDBY (A1, B1).
2. Pieskarieties galvenās ierīces vai tālvadības pults taustiņam SOURCE (A1, B11), lai izvēlētos FM radio režīmu.
3. Nospiediet un turiet, pieskaroties galvenās ierīces vai tālvadības pults taustiņam Track Down, Track up (A10, A11, B8, B18), līdz displejā sāk skenēt frekvences nolasiņums, un pēc tam atlaidiet pogu automātiskajai meklēšanai un programmu iepriekš iestatītajiem kanāliem. Displejā parādās un mirgo "PROG". Automātiskā meklēšana un programma apstāties pie P01 pēc skenēšanas pabeigšanas, displejā vienmērīgi parādās "PROG".
- Piezīme: Ja automātiskās meklēšanas un ieprogrammētā iestatījuma laikā saglabātie kanāli nav tie, kurus vēlaties saglabāt, izmantojiet zemāk aprakstīto metodi, kā manuāli saglabāt radio sākotnējos iestatījumus.
4. Noskaņojiet vēlamo radiostaciju vai nu ar "manuāli", vai "automātiski".
5. Pieskarieties PROG. (B3) uz tālvadības pults, nākamais pieejamais iepriekš iestatītās atmiņas numurs un mirgojošs PROG. (B3) ikona parādīsies LCD displejā. (Piezīme: displejā parādīsies "P01", ja pirmo reizi ieprogrammējat iepriekš)
6. Pieskarieties PRE. Poga (B15, B19) galvenajā ierīcē vai tālvadības pultī, lai izvēlētos iepriekšiestatīto numuru, kuram vēlaties piešķirt staciju.
7. Pieskarieties PROG. (B3) Poga, lai apstiprinātu iestatījumu.
8. Atkārtojiet iepriekš 4. – 8. Darbību, lai iestatītu līdz 30 FM stacijām.

ATGĀDINOT PRESET MEMORY CHANNEL

Radio režīmā atsauciet iepriekš iestatītus kanālus, nospiežot PRE. Tālvadības pults poga (B15, B19) atkārtoti.

CD ATSKAŅOTĀJA DARBĪBA

Piezīme:

- 1. Šis kompaktdisku atskaņotājs atskaņos ne tikai komerciālos kompaktdiskus, bet arī pašu sastādītus CD-R / RW, MP3 diskus. Nemēģiniet atskaņot kompaktdiskus, CDI, VCD, DVD vai datora kompaktdiskus.
 - 2. MP3 ir saspiešanas veids. Tas ir akronīms, kas apzīmē MPEG Audio Layer 3. MP3 ir audio koda tips, kas tiek apstrādāts ar ievērojamu sākotnējā audio avota saspiešanu ar ļoti nelielu skaņas kvalitātes zudumu.
 - Šī sistēma atbalsta MPEG 1 Layer 3 un VBR failus.
 - VBR failu atskaņošanas laikā laika skaitītājs displejā var atšķirties no tā faktiskā atskaņošanas laika.
 - Bitu pārraides ātrums, ko atbalsta MP3, ir 32–320 kbps
- LŪDZU, izlasiet šo svarīgo informāciju:

CD mehānismi, kas tiek izmantoti tādās ierīcēs, ir paredzēti visu komerciālo kompaktdisku lasīšanai. Tas lasīs arī pašu sastādītus CD-R / CD-RW, MP3 diskus, taču var paiet 10 sekundes, līdz sākas faktiskā atskaņošana. Ja atskaņošana nesākas, iespējams, tas ir saistīts ar CD-R / RW, MP3 diska kvalitāti un / vai kompaktdisku apkošanas programmatūras saderību. Izgatavotājs nav atbildīgs par CD-R / RW, MP3 disku atskaņošanas kvalitāti.

Nepievienojiet etiķeti vai zīmogu nevienai CD-R / RW, MP3 diska pusei. Tas var izraisīt nepareizu darbību.

Kompaktdiska atskaņošana

1. Lai ieslēgtu ierīci, nospiediet galvenās ierīces vai tālvadības pults pogu POWER / STANDBY (A1, B1).
2. Pieskarieties tālvadības pults vai galvenās ierīces taustiņam SOURCE (A1, B11), lai izvēlētos kompaktdisku režīmu, un pēc tam nospiediet Atvērt diska nodalījumu.
3. Novietojiet audio kompaktdisku uz centra vārpstas tā etiķetes pusi uz āru virzienā uz CD durvīm. Aizveriet diska nodalījumu.
4. Ierīce sāk lasīt disku, displejā un mirgo "----". Pēc dažām sekundēm kopējais ierakstu skaits rāda vienu sekundi, un pēc tam kopējais kompaktdiska ierakstīšanas laiks tiks parādīts LCD displejā.
5. Nospiediet PLAY / PAUSE (A9, B22) pogu uz galvenās ierīces vai tālvadības pults, displejā parādās PLAY indikators, CD sāks atskaņot no pirmā celiņa
6. Nospiediet skaļuma regulētāju. Pielāgojiet skaļumu. galvenajā blokā vai tālvadības pultī, lai pielāgotos vajadzīgajam skaļuma līmenim.
7. Lai apturētu atskaņošanu, nospiediet PLAY / PAUSE (A9, B22) pogu uz galvenās ierīces vai tālvadības pults. Ieraksta laiks tiks apturēts, un displejā parādīsies PAUSE indikators. Lai atsāktu atskaņošanu, vēlreiz nospiediet pogu CD PLAY / PAUSE (A9, B22).
8. Jūs varat izvēlēties atskaņot savu iecienīto dziesmu tieši, nospiežot vai nu Track Down, Track up (A10, A11, B8, B18). LCD displejs parādīs pareizo izvēlēta celiņa numuru.
9. Lai atrastu noteiktu ceļā daļu, nospiediet un turiet Track Down, Track up (A10, A11, B8, B18), līdz sadaļa tiek atrasta. Atlaidiet pogu, lai turpinātu savas izvēles atskaņošanu.
10. Lai pārtrauktu atskaņošanu, nospiediet pogu STOP (A8, B25).

MP3 DISKU ATSKAŅOŠANAS PROCEDŪRA

Lai atskaņotu CD-R / RW, Mp3

1. Nospiediet tālvadības pults pogu SOURCE (A1, B11) un ievietojiet MP3 disku.
 2. Nospiediet pogu FOLDER (B15, B19), lai izvēlētos vēlamo atskaņošanas mapi.
 3. Izvēlieties vēlamo atskaņojamo failu, nospiežot pogu Track Down, Track up (A10, A11, B8, B18).
 4. Nospiediet PLAY / PAUSE (A9, B22). Sāksies atskaņošana, un tiks parādīts faila nosaukums.
- s Ja atskaņošana ir ieslēgta mapes režīmā, nospiediet pogu FOLDER (B15, B19), un mapi var izvēlēties, pat ja tā ir atskaņošanas / pauzes

USB / MP3 ATSKAŅOTĀJA ATSLĒĢŠANA ATSLĒĢOT AR APRĒĶI

1. Lai izvēlētos USB funkciju, atkārtoti nospiediet tālvadības pults pogu SOURCE (A1, B11) vai taustiņu SOURCE (A1, B11). Pievienojiet USB atmiņas ierīci, kurai ierīcē ir MP3 formāta faili. Kad USB atmiņa ir pievienota galvenajai ierīcei, tiks parādīta ierīces informācija.
2. Nospiediet pogu FOLDER (B15, B19), lai izvēlētos vēlamo atskaņošanas mapi. Lai sāktu atskaņošanu, ieslēdzot mapes režīmu, pārejiet pie darbības.
3. Izvēlieties vēlamo atskaņojamo failu, nospiežot pogu Track Down, Track up (A10, A11, B8, B18).
4. Nospiediet PLAY / PAUSE (A9, B22). Sāksies atskaņošana, un tiks parādīts faila nosaukums.

PIEZĪME:

- Šis produkts nav savietojams ar MTP un AAC failu sistēmām no USB lielpajoma atmiņas ierīces vai MP3 atskaņotāja.
- St ierīce atbalsta FAT16 un FAT32, taču daži USB datu nesēji, iespējams, neatbalsta abas failu sistēmas. Sīkāku informāciju skatiet attiecīgās USB atmiņas ierīces lietošanas rokasgrāmatā vai sazinieties ar ražotāju.

IZPLATĪŠANAS UN MEKLĒŠANAS REŽĪMS

1. Spēles vai pauzes režīmā pieskarieties pogai Track Down, Track up (A10, A11, B8, B18), lai pārietu uz nākamo celiņu vai atgrieztos pašreizējā celiņa sākumā.
2. Atskaņošanas laikā nospiediet un turiet Track Down, Track up (A10, A11, B8, B18), lai meklētu pašreizējā celiņā ar dzirdamu liela ātruma atskaņošanu.

DAŽĀDI SPĒLES REŽĪMI (TIKAI TĀLVADĪBA)

Atkārtoti nospiediet tālvadības pults pogu REPEAT (B6), lai CD atskaņošanas laikā izvēlētos dažādus atskaņošanas režīmus.

Atskaņojot kompaktdisku, atskaņošanas režīmi ir parādīti šādi:

Atkārtojiet

Atkārtojiet visu

Normāli

REPEAT 1 - atskaņotais ieraksts tiks atkārtots nepārtraukti. Atkārtojiet vienu displejā redzamo ikonu "REPEAT 1".

ATKĀRTOT VISUS - visi celiņi atkārtosies nepārtraukti. Atkārtot visu displejā parādās ikona "REPEAT ALL".

RANDOM SPĒLĒT

Kad trīs reizes tiek nospiesta poga RANDOM (B20), LCD displejā iedegsies indikators "RDM". Dziesmas diskā var automātiski atskaņot nejausā secībā.

Lai atceltu izlases spēli:

Vēlreiz nospiediet pogu RANDOM (B20). "RDM" indikators pazudīs.

PIEZĪME:

Ja nejausās atskaņošanas laikā nospiežat pogu, jūs varat pāriet uz ierakstu, kuru pēc nejausās darbības izvēlas blakus. No otras puses, poga neļauj pāriet uz iepriekšējo celiņu. Tiks atrasts atskaņotā celiņa sākums.

Izlases veidā atskaņotājs automātiski atlasīs un atskaņos ierakstus. (Jūs nevarat izvēlēties dziesmu secību.)

IEVADS ATSKAŅOŠANA

1. Nospiediet tālvadības pults taustiņu INTRO (B20). Displejā parādīsies indikators "INTRO (B20)".

Vienība atskaņos katras dziesmas pirmās 10 sekundes.

2. Vēlreiz nospiediet tālvadības pults taustiņu INTRO (B20), lai atsāktu parasto atskaņošanu.

PLAY TRACK SEQUENCE PROGRAMMĒŠANA

Šī funkcija ļauj atskaņot ierakstus ieprogrammētā secībā. Lietotājs var ieprogrammēt līdz 32 ierakstiem CD režīmā vai 99 ierakstus MP3 formātā

PIEZĪME. Programmu var iestatīt tikai STOP režīmā.

1. Pieskarieties PROG . Poga (B3) uz tālvadības pults, displejā tiek parādīts programmas numurs "1", LCD displejā mirgo arī ikona " PROG " un CD ieraksta numurs "- -". (Piezīme: "1" būs displejā, ja jūs pirmo reizi programmējat).

2. Izmantojiet Track Down, Track up (A10, A11, B8, B18) uz galvenās ierīces vai tālvadības pults, lai izvēlētos vēlamo celiņu. Ieraksta numurs tiks parādīts displejā.

3. Pieskarieties PROG . Poga (B3) galvenajā blokā vai tālvadības pultī, lai saglabātu izvēlēto ierakstu atmiņā, nākamais programmas numurs uz priekšu pavērs vienu (ti, "2") LCD displejā.

4. Atkārtojiet 2. līdz 3. darbību, lai atmiņā saglabātu vairāk celiņu. Jūs varat saglabāt līdz CD 32 celiņam, MP3 99 ierakstiem. Pēc dziesmu ieprogrammēšanas displejā parādīsies "FUL".

5. Pieskarieties PLAY / PAUSE (A9, B22). uz galvenās ierīces vai tālvadības pults, lai sāktu kompaktdiska atskaņošanu ieprogrammētajā secībā.

6. Nospiediet tālvadības pults pogu REPEAT (B6), lai izvēlētos Atkārtot 1 / Visu, ja nepieciešams.

7. Lai pārtraukt atskaņošanu, nospiediet STOP pogu (A8, B25) uz galvenās ierīces vai tālvadības pults.

Lai atceltu programmas atskaņošanu, divas reizes nospiediet STOP pogu (A8, B25) uz galvenās ierīces vai tālvadības pults, ikona " PROG " pazūd no displeja.

BLUETOOTH DARBĪBA

Nospiediet pogu POWER / STANDBY (A1, B1), lai ieslēgtu ierīci, un, lai izveidotu savienojumu, izmantojot Bluetooth, ievērojiet tālāk sniegtos norādījumus.

BLUETOOTH IESPĒJAMA mobilā telefona vai citas BLUETOOTH IESPĒJAMAS IERĪCES PAŅĒMŠANA (sasaiste) uz ierīci
Ja CR 1173 nekad iepriekš nav bijis savienots pāri ar Bluetooth ierīci. Lai saistītu ierīci ar savu Bluetooth ierīci, jums jāievēro zemāk

sniegtie norādījumi par savienošanu pāri.

1. Lai ieslēgtu ierīci, nospiediet galvenās ierīces vai tālvadības pults pogu POWER / STANDBY (A1, B1).
2. Pieskarieties taustiņam SOURCE (A1, B11) uz galvenās vai tālvadības pults, lai izvēlētos Bluetooth režīmu, displejā parādās un mirgo Bluetooth ziņojums "bt".
3. Ja CR 1173 nekad nav bijis savienots pāri ar Bluetooth ierīci vai ja nevarat atrast pēdējo pāri savienoto ierīci, mirgojošs "bt" LCD displejā norāda, ka XXX ir meklēšanas režīmā. Lai saistītu ierīci ar savu Bluetooth ierīci, jums jāievēro zemāk sniegtie norādījumi par savienošanu pāri.
 - Ieslēdziet savas Bluetooth ierīces Bluetooth funkciju un iespējot meklēšanas vai skenēšanas funkciju, lai atrastu CR 1173.
 - Ierīču sarakstā atlasiet "CR 1173", kad tas parādās ierīces ekrānā. Ja nepieciešams, ievadiet piekļuves kodu "0000", lai savienotu (saistītu) CR 1173 ar ierīci.
4. Pēc veiksmīgas savienošanas pāri (sasaistīšanas) displejs mainīsies, lai vienmērīgi parādītu "bt", displejā parādīsies arī Bluetooth ikona. Jūs varat sākt mūzikas atskaņošanu no savas Bluetooth ierīces bezvadu režīmā līdz skaļrunim.
5. Kad esat izvēlējies savu iecienīto dziesmu, nospiediet PLAY PAUSE (B22, A9) pogu uz ierīces vai tālvadības pults, lai atskaņotu vai apturētu dziesmu.
6. Nospiediet galvenās ierīces vai tālvadības pults skaļuma regulētāju, lai pielāgotos vajadzīgajam skaļuma līmenim.
7. Nospiediet taustiņu Track Down, Track up (B8, B9) uz galvenās ierīces vai tālvadības pults, lai pārietu uz iepriekšējo vai nākamo dziesmu.
8. Ja vēlaties savienot ierīci pāri ar citu ar Bluetooth iespējotu ierīci, 3 sekundes turiet nospiestu pogu PAIR (B10) vai izslēdziet Bluetooth funkciju, kas pašlaik tiek savienota pāri ar ierīci, pēc tam atkārtotiet iepriekš 3. darbību.

Piezīmes:

- 1.) Par Bluetooth darbību skatiet sava mobilā tālrunā, planšetdatora, datora vai citu ierīču ar Bluetooth atbalstu rokasgrāmatu, jo tā katram modelim var atšķirties.
- 2.) Ja jūsu Bluetooth iespējotā ierīce neatbalsta A2DP profilu, tā nespēlēs mūziku caur skaļruni, pat ja tā ir savienota pāri.
- 3.) Ja datoru savienojat pāri (sasaistat), izmantojot Bluetooth, iespējams, skaļrunis būs jāiestata kā datora noklusējuma skaņas ierīce.

PAPILDU IEVADES DARBĪBA

Šai ierīcei ir papildu audio signāla ieejas līgзда ārējo audio ierīču, piemēram, MP3 atskaņotāju, digitālās audio ierīces, savienošanai un klausīšanai caur šīs ierīces skaļruniem.

1. Izmantojiet audio kabeli (nav iekļauts komplektā) ar vienu 3,5 mm stereo spraudni katrā kabeļa galā.
2. Vienu galu iespraudiet galvenās ierīces AUX IN JACK (A5), bet otru - kabeļa ārējās audio ierīces līgzdā vai austiņu līgzdā.
3. Ieslēdziet ierīci un ārējo audio ierīci.
4. Pieskarieties taustiņam SOURCE (A1, B11) uz galvenās vai tālvadības pults, lai izvēlētos AUX režīmu, ieslēdzas "AUX" ikona, displejā tiek parādīts "AUX" ziņojums.
5. Tagad skaļuma līmeni var kontrolēt, izmantojot galveno ierīci. Kā parasti, darbiniet visas citas papildierīces funkcijas.

Piezīme:

1. Ja jūs pievienojat šo ierīci ārējās ierīces izejas līgzdai, jums ir jāpielāgo tikai šīs ierīces skaļuma kontrole. Ja pievienojat ārējās ierīces austiņu līgzdu, jums, iespējams, būs jāpielāgo gan ārējās ierīces, gan šīs ierīces skaļuma vadības ierīces, lai iegūtu vēlamo skaļuma iestatījumu.

PRESET EQ (TIKAI TĀLVADĪBA)

Šī ierīce nodrošina 4 dažādus EQ režīmus, lai uzlabotu klausīšanās pieredzi. Jūs varat izvēlēties vēlamo efektu, atkārtoti nospiežot tālvadības pults taustiņu EQ (B5) šādā secībā:

ROCK POP JAZZ CLASSIC OFF

Klusa poga (tikai tālvadībai)

- Nospiediet tālvadības pults pogu MUTE (B21), lai īslaicīgi izslēgtu skaļruņa izvadīto skaņu. Displejā parādīsies "V 00".
- Vēlreiz nospiediet pogu MUTE (B21) vai VOLUME CONTROL (B23, A12), lai atsāktu parasto skaļruņu atskaņošanu.

GALVU DARBĪBA (TIKAI TĀLVADĪBA)

Miega taimeris ļauj izslēgt ierīci pēc noteiktā laika sasniegšanas.

1. Lai aktivizētu miega taimeris, ieslēdziet ierīci un piesitiet taustiņam SOURCE (A1, B11), lai izvēlētos FM radio, CD, USB, Bluetooth vai mūzikas klausīšanos, izmantojot AUX IN.
2. Pieskarieties tālvadības pults pogai SLEEP (B14), displejā parādās miega laika ikona "SLEEP".
3. Atkārtoti pieskarieties pogai SLEEP (B14), lai izvēlētos miega laiku. Ierīce izslēgsies pēc 10, 20, 30, 40, 50, 60, 70, 80 vai 90 minūtēm. Pēc izvēles atlasiet ierīci 3 sekundes, lai apstiprinātu izvēli, ierīce atskaņos izvēlēto laika periodu, pēc tam automātiski izslēgsies.
4. Lai atceltu miega taimeris, vairākkārt pieskarieties pogai SLEEP (B14), līdz taimeris rāda "OFF", miega laika ikona "SLEEP" displejā pazūd.
5. Lai izslēgtu ierīci pirms izvēlētā laika, jebkurā laikā nospiediet pogu POWER / STANDBY (A1, B1).

Piezīmes:

- 1.) Lai pārbaudītu atlikušo miega laiku, vienreiz piesitiet SLEEP pogai (B14).
- 2.) Ja jūs aizmidzat mūziku no ārējās ierīces, kas savienota ar AUX ieeju, miega taimeris izslēgs šīs sistēmas strāvu, bet neizslēgs ārējo ierīci.

AUSTIŅU LIETOŠANA (neiekļauta)

Ievietojot austiņu spraudni stereo austiņu līgzdā (A17), varēsīt privāti klausīties kompaktdiska vai radio mūziku. Izmantojot austiņas, iebūvētie skaļruņi tiks atvienoti.

PIRMS LIETOJĒT AUSTIŅAS, LASĪT ŠO SVARĪGO INFORMĀCIJU

1. Izvairieties no ilgstošas atskaņošanas ar ļoti lielu skaļumu, jo tas var pasliktināt dzirdi.
2. Ja ausis zvana, samaziniet skaļumu vai izslēdziet ierīci.

3. Saglabājiet skalumu pieņemamā līmenī pat tad, ja austiņas ir brīvdabas tipa, kas paredzētas, lai jūs varētu dzirdēt ārējās skaņas. Lūdzu, ņemiet vērā, ka pārāk liels skaļums joprojām var bloķēt ārējās skaņas.

ĪESTATĪŠANA

Ja sistēma nereaģē vai darbojas nepareizi, iespējams, esat pieredzējis elektrostatisko izlādi (ESD) vai strāvas pārspriegumu, kas iekšējo datoru iedarbināja automātiski. Ja tā notiek, atvienojiet maiņstrāvas vadu no strāvas avota, pagaidiet 60 sekundes un pēc tam atkal pievienojiet maiņstrāvas vadu strāvas avotam. Ierīce tiks atiestatīta, jums jāiestata pulkstenis, modinātājs un iepriekš iestatīti radio kanāli.

APKOPE UN APKOPE

1. Nepakļaujiet ierīci pārmērīgam spēkam, triecieniem, putekļiem vai ārkārtējai temperatūrai (virs 40 °C).
2. Negrozījiet ierīces iekšējās detaļas.
3. Noīrīet ierīci ar sausu drānu. Nekādā gadījumā nedrīkst izmantot šķīdinātāju vai mazgāšanas līdzekli.
4. Izvairieties no ierīces atstāšanas tiešos saules staros vai karstā, mitrā vai putekļainā vietā.
5. Sargājiet ierīci no apkures ierīcēm un elektriskā trokšņa avotiem, piemēram, dienasgaismas spuldzēm vai motoriem.
6. Ja kompaktdiska atskaņošanas laikā mūzikā notiek izkrišana vai pārtraukumi vai ja kompaktdisku vispār neizdodas atskaņot, tā apakšējo virsmu var būt nepieciešams notīrīt. Pirms atskaņošanas noslaukiet disku no centra uz āru ar labu mikstu tīrīšanas lupatiņu.

VĪENĪBAS TĪRĪŠANA

- Lai novērstu ugunsgrēka vai trieciena draudus, tīrīšanas laikā atvienojiet ierīci no maiņstrāvas avota.
- Iekārtas apdari var notīrīt ar putekļu lupatu un rūpēties par citām mēbelēm. Tīrot un noslaukot plastmasas detaļas, rīkojieties piesardzīgi.
- Ja korpusu kļūst putekļains, noslaukiet to ar mikstu, sausu putekļu lupatu. Nelietojiet vaska vai pulēšanas aerosolus uz skapja.
- Ja priekšējais panelis kļūst netīrs vai nosmērēts ar pirkstu nospiedumiem, to var notīrīt ar mikstu drāniņu, kas nedaudz samitrināta ar maigu ziepju un ūdens šķīdumu. Nekad nelietojiet abrazīvās drānas vai pulēšanas līdzekļus, jo tie var sābojāt ierīces apdari.

UZMANĪBU! Tīrīšanas laikā nekādā gadījumā neļaujiet ūdenim vai citiem šķīdumiem iekļūt ierīces iekšpusē

Tehniskie dati:

Prasības strāvai:

Galvenā vienība: 230 V ~ 50 Hz

Tālvadības pults: CR2025 3V

DISC atskaņotāja sadaļa

Sistēma: kompaktdisks un digitālā audio sistēma Laser Diode Properties

Emisijas ilgums: Nepārtraukts

Lāzera izvade: mazāka par 44,6 M w (šī izvade ir vērtības mērīšana 200 mm attālumā no objektīva virsmas uz optiskā uztveršanas bloka ar 7 mm atvērumu.)

Frekvences diapazons

FM uztverēja sadaļa:

Skaņošanas diapazons: 87,5 MHz – 108,0 MHz (50 kHz solis.)

Skaļrunu jauda: 2x 5W

Max: 28W

Ierīce ir izstrādāta II izolācijas klasē un atbilst nepieciešamajām direktīvām:
zema sprieguma direktīva (LVD),
elektromagnētiskā saderība (EMC),
izstrādājums ir atzīmēts ar CE marķējumu.



Apkārtējās vides aizsardzība. Kartona iepakojumu, lūdzu, nododiet atsevišķai pārstrādei. Polietilēna maisiņus (PE) izmest plastmasas izstrādājumiem paredzētajos konteineros. Lietotās elektropreces nododiet atbilstošajās pieņemšanas punktās. Ierīcē satur bīstamas sastāvdaļas, kas var izraisīt draudus apkārtējai videi. Elektroierīce jānodod tā, lai ierobežotu tās atkārtotu izmantošanu. Ja ierīcē atrodas baterijas, izņemiet tās un nododiet pieņemšanas punktā atsevišķi. Produktu neizmest sadzīves atkritumu konteinerā!

OHUTUSNÕUDED OLULISED JUHISED KASUTUSJUHENDITE KOHTA PÄRAST LUGEGE ETTEVAATUST JA TULEVIKU JÄRGMISEKS

Garantiitingimused on erinevad, kui seadet kasutatakse kaubanduslikul eesmärgil.

1. Enne toote kasutamist lugege hoolikalt läbi ja järgige alati järgmisi juhiseid. Tootja ei vastuta mis tahes kahjude eest, mis tulenevad mis tahes väärkasutusest.
2. Toodet tohib kasutada ainult siseruumides. Ärge kasutage toodet mis tahes eesmärgil, mis ei sobi selle rakendusega.
3. Kohaldatav pinge on 230 V, ~ 50 Hz. Ohutuse kaalutlustel ei ole asjakohane ühendada mitut seadet ühe vooluvõrku.
4. Palun ettevaatlik, kui kasutate lapsi. Ärge laske lastel toodet mängida. Ärge laske lastel ega inimestel, kes ei tea seadet, seda ilma järelevalveta kasutada.
5. HOIATUS: Seda seadet võivad kasutada üle 8-aastased lapsed ja piiratud füüsilise, sensoorse või vaimse võimega isikud või inimesed, kellel puudub kogemus või teadmised seadmest, ainult nende ohutuse eest vastutava isiku järelevalve all või kui nad olid instrueeritud seadme ohutu kasutamise kohta ja on teadlikud selle kasutamisega seotud ohtudest. Lapsed ei tohiks seadmega mängida. Seadme puhastamist ja hooldust ei tohiks teostada lapsed, välja arvatud juhul, kui nad on üle 8-aastased ja neid tegevusi teostatakse järelevalve all.
6. Kui olete toote kasutamise lõpetanud, ärge unustage alati eemaldada pistik pistikupesast, mis hoiab pistikupesa käega. Ärge kunagi tõmmake toitejuhet !!!
7. Ärge kunagi ühendage toitekaablit, pistikut või kogu seadet vette. Ärge kunagi hoidke toodet atmosfääritingimustes, nagu otsene päikesevalgus või vihma jne. Ärge kunagi kasutage toodet niisketes tingimustes.
8. Kontrollige perioodiliselt toitejuhtme seisukorda. Kui toitejuhe on kahjustatud, tuleb toode asendada professionaalse teeninduspunkti juurde, et vältida ohtlikke olukordi.
9. Ärge kunagi kasutage toodet kahjustatud toitejuhtmega või kui see on maha kukkunud või muul viisil kahjustatud või kui see ei tööta korralikult. Ärge püüdke defektset toodet ise parandada, sest see võib põhjustada elektrilöögi. Keerake kahjustatud seade alati selle parandamiseks professionaalsesse teeninduskohta. Kõik remonti võivad teha ainult volitatud hooldustöötajad. Valesti tehtud parandus võib põhjustada kasutajale ohtlikke olukordi.
10. Ärge kunagi asetage toodet kuuma või sooja pinnale või sellistele köögiseadmetele nagu elektriline ahi või gaasipölet.
11. Ärge kunagi kasutage toodet süttivate ainete lähedal.
12. Ärge laske juhe riputada üle loenduri serva ega puudutada kuumaid pindu.
13. Ärge kunagi jätke toodet toiteallikaga ühendatud ilma järelevalveta. Isegi kui kasutamine katkeb lühikest aega, lülitage see võrgult välja, eemaldage toide.
14. Täiendava kaitse tagamiseks on soovitatav paigaldada vooluahelasse jääkvoolu seade, mille jääkvool ei ületa 30 mA. Selles küsimuses võtke ühendust professionaalse elektrikuga.
15. Vältige raadiot.
16. Raadio võib pühkida ainult kuiva lapiga. Ärge kasutage vett ega puhastusvahendeid.
17. Raadio tuleb hoida kuivas ruumis.

SEADM:

1. POWER ON / OFF OOTE NÄIDIK 2.SOURCE 3.TIME SET / MEMORY NUPP
4. HOONAKANAL - 5.AUX 6.USBI 7.TUNERKANAL +
8. CD STOP-NUPP / BLUETOOTH PAIR-NUPP
9. CD / BLUETOOTH-TAASESITUS / PAUS / RADIO AUTOMAATSE OTSIMISNUPP
10. CD / BLUETOOTH SKIP EELMINE / TUNE - NUPP
11. CD / BLUETOOTH SKIP NEXT / TUNE + NUPP
12. HELITUGEVUSE JUHTIMISNUPP 13. LCD ekraan
14. CD-UKS AVATUD / SULETUD NUPP 15. CD-UKS 16.FM ANTENNA
17. KÕRVAKÖLÜ JÕUD 18.ÕIGUSKÖLAKONTE PISTIK 19. VASAKÖLÜ KÖLAKONTE
20. Alalisvooluadapter 21. AKU KÜLMIKUKS

PULT:

1. TÖÖTLEMISE / VÄLJAS STANDBIINDIKAatori indikaator 2.DISC OTSE OTSINGU NUPP
3. PROG . NUPP 4. CD / USB-JÄLGIMISE VÕI AJAKOHASELT NUPP, TUNERI ALLA NUPP
5. EQUALISERIMISNUPP 6.KORRASTA NUPP 7.X-BASS NUPP 8.TRACK DOWN Button
9. CD / BLUETOOTH-TAASESITUS / PAUS / RADIO AUTOMAATSE OTSIMISNUPP
10. CD / BLUETOOTH SKIP EELMINE / TUNE - NUPP
11. CD / BLUETOOTH SKIP NEXT / TUNE + NUPP
- 12.CLOCK SET 13.LCD EKRAAN 14.CD UKSELE AVATUD / SULETUD NUPP
15. CD DOOR 16.FM ANTENNA 17. kõrvaklappide pesa
18. ÕIGE KÖLU PUNKT 19. VASAK KÖLU PUNKT
20. RANDOMNUPP JA SISSEJUHTATUS 21. NÕU AKU OSAS
22. BT MÄNGIMISE / PAUSE NUPP 23.VOLUMINE ÜLES NUPP ÜLES
24. CD-NUPP / PAUSE-NUPP 25.CD STOPP-NUPP

SÜSTEEMI ÜHENDUSED

Enne ühenduste loomist veenduge, et vahelduvvoolu toitejuhe on seinakontaktist lahti ühendatud.

Vahelduvvoolu ühendus

Ühendage vahelduvvoolu toitejuhe saadaolevasse 230 V ~ 50 Hz pistikupessa. Veenduge, et pistik oleks korralikult pistikupesasse sisestatud.

Patareide paigaldamine aku varundamiseks

1. Eemaldage põhiseadme põhjas asuv akupesa luuk.
2. Järgige akupesa sees olevaid polaarsusemärgiseid ja sisestage 2 x AAA-patareid (ei kuulu komplekti) akupesa kahesse pesasse.
3. Pange aku luuk tagasi.

MÄRKUSED:

· Varuakude vahetamisel ärge eraldage vahelduvvoolu toitejuhet seinakontaktist. Kui te seda teete, kustutatakse kõik praegused kuupäeva kellaajad ja alarmsätted.

· Kui seade jäetakse pikaks ajaks vooluvõrgust välja, eemaldage patareid, et vältida nende kahjustusi, mis võivad tekkida, kui patareid lektivad ja põhjustavad korrosiooni.

Pult

Kaugjuhtimispult töötab ühe CR2025 3V liitiumakuga (kuulub puldi juurde). Kaugjuhtimispuldi aktiveerimiseks eemaldage patareide sektsiooni sisestatud isolaatori sakk.

Kui kaugjuhtimine muutub katkendlikuks või ebarahuldavaks, vahetage originaalpatarei uue CR2025 3V liitiumaku vastu.

1. Vajutage pesa kaane alla ja libistage akupesa kaugjuhtimispuldist välja.

2. Asendage aku ja veenduge, et aku on õigesti paigaldatud. Kaugjuhtimispult ei tööta, kui aku on paigaldatud vale polaarsusega.

ETTEVAATUST:

- 1.) Aku valesti asendamisel võib plahvatusoht tekkida.
- 2.) Asendage ainult sama või samaväärse tüüpi aku.
- 3.) Pange akuhoidik tagasi akupessa.

SEADME LÜLITAMINE / VÄLJAS

1. Väljas (ooterežiimis) koputage seadme sisselülitamiseks POWER / STANDBY nuppu (A1, B1) põhiseadmel või kaugjuhtimispuldil. Seade lülitub sisse, LCD-ekraanil kuvatakse viimati valitud sisestusrežiimi ikoon.
2. Seadme väljalülitamiseks (ooterežiimis) puudutage uuesti põhiseadme või kaugjuhtimispuldi nuppu Toite sisselülitamine POWER / STANDBY (A1, B1). Vedelkristallekraan muutub tuhmiks ja näitab kellaagea. Ooterežiimi indikaator põleb.

Kella seadistamine

Pärast vahelduvvoolu toite ühendamist ilmub ekraanile teade "00:00" ja hakkab LCD-ekraanil vilkuma.

1. Kui olete väljalülitatud (ooterežiimis), hoidke kaugjuhtimispuldil või põhiseadmel nuppu CLOCK SET (B13) ja hoidke seda all, ekraanil kuvatakse vorming 24 HOUR "24H".

2. Puudutage kaugjuhtimispuldil või põhiseadmel nuppu Eelmine / Järgmine (B4, B18), et vajadusel valida 24-tunnine vorming. Muul juhul vajutage 12-tunnise kella vormingu kinnitamiseks ja kella seadistamise režiimi sisenemiseks nuppu CLOCK SET (B12). Tundide numbrid hakkavad vilkuma.

3. Tunni seadmiseks puudutage kaugjuhtimispuldil või põhiseadmel nuppu Eelmine / Järgmine (B4, B18). Vajutage ja hoidke all nuppu kiireks edasi / tagasi seadistamiseks.

Märkus. Veenduge, et tund oleks seatud nii, et PM-indikaator kuvatakse õigesti.

4. Vajutage tunni seadistuse kinnitamiseks kaugjuhtimispuldil nuppu CLOCK SET (B12), minutinumbrid vilguvad sisestamise küsimiseks.

5. Minuti seadistamiseks puudutage kaugjuhtimispuldil või põhiseadmel nuppu Eelmine / Järgmine (B4, B18). Vajutage ja hoidke all nuppu kiireks edasi / tagasi seadistamiseks.

6. Seadistuse lõpetamiseks vajutage uuesti kaugjuhtimispuldi nuppu CLOCK SET (B12).

MÄRKUS. Kui toide katkeb või kui voolukatkestus toimub, tuleb kella ja raadiojaama eelseadistused lähtestada. Ekraanile ilmub "00:00" ja hakkab vilkuma LCD-ekraanil, andes teile teada, et toide katkes ja kell tuleb lähtestada. Kella lähtestamiseks järgige ülaltoodud samme 1-6.

KELLA KONTROLLIMINE

Ooterežiimis kuvatakse seade kellaagea. Kellaaja kontrollimiseks sisselülitatud oleku režiimis hoidke põhiseadme või kaugjuhtimispuldi nuppu CLOCK SET (B12) 3 sekundit all, praegune kellaage kuvatakse 5 sekundit ja naaseb seejärel eelmisele ekraanile.

Alarmi töö (AINULT KAUGJUHTIMINE)

Alarmi kella seadistamine

See funktsioon võimaldab süsteemil automaatselt sisse lülitada ja teid helisignaali, CD, USB või BU RADIO abil äratada.

1. Vajutage ja hoidke kaugjuhtimispuldi nuppu TIMER (B13), kuni ekraanile ilmub "Sees" ja tunni numbrid vilguvad.
2. Vajutage tunni numbrite reguleerimiseks nuppu Eelmine / Järgmine nupp (B4, B18) ja seejärel kinnitamiseks nuppu TIMER. Minutid hakkavad ekraanil vilkuma.
3. Vajutage nuppu Eelmine / Järgmine (B4, B18), et reguleerida minutite numbreid, seejärel vajutage kinnitamiseks nuppu TIMER (B13).
4. Kui nupu Eelmine / Järgmine nupp (B4, B18) on sisse lülitatud taimerikella seadistatud, kuvatakse ekraanil "VALJAS" ja tunni numbrid hakkavad vilkuma.
5. Vajutage nuppu Eelmine / Järgmine (B4, B18) tunni numbrite reguleerimiseks ja seejärel vajutage kinnitamiseks nuppu TIMER (B13). Minutid hakkavad ekraanil vilkuma.
6. Minutite numbrite reguleerimiseks vajutage kaugjuhtimispuldi nuppu Eelmine / Järgmine (B4, B18) ja seejärel vajutage kinnitamiseks nuppu TIMER.
7. Vajutage nuppu, et valida CD, USB, BT või FM režiimi, seejärel vajutage kinnitamiseks nuppu TIMER (B13). Ekraanil kuvatakse "VOL #" ja vilgub.
- Vajutage helitugevuse reguleerimiseks nuppu Eelmine / Järgmine nupp (B4, B18) ja seejärel kinnitamiseks nuppu TIMER.
8. Vajutage nuppu TIMER (B13), et valida "Timer On" ja taimer on nüüd käes seatud.
9. Ooterežiimis ilmub ekraanile taimerikoon, mis näitab, et taimer on sisse lülitatud.

MÄRGE:

- 1.) Kui on valitud "Wake to CD, USB", kuid CD pole sisestatud, siis on häire äratuse kellaaja saabumisel vaikimisi häirekella märguanne.
- 2.) "Wake to Radio" puhul vaikimisi eelistab süsteem enne väljalülitamist viimati kuulatud FM-raadiojaama.
- 3.) Crescendo alarm tõuseb teie seatud helitugevuseni.

AKTIIVNE / DEAKTIIVNE Alarmi funktsioon

1. ALARM-i aktiveerimiseks koputage üks kord nuppu TIMER (B13) ja vedelkristallekraanil kuvatakse häirekoon.
 2. Tühistage ALARM-funktsioon, koputades uuesti nuppu TIMER (B13). Alarmikoon kustub.
- Äratus raadio, CD, USB või BUZZERi alarmi juurde
- Kui äratusaeg on käte jõudnud, kõlab CD, USB või raadio piiksu häire 60 minutit, seejärel lülitatakse see välja ja lähtestatakse järgmiseks päevaks (kordusnuppu vajutamata).
 - Äratus peatamiseks kohe pärast selle helisemist koputage üks kord kaugjuhtimispuldi või põhiseadme nuppu POWER / STANDBY (A1, B1). See lähtestub järgmiseks päevaks.
 - Järgmise päeva äratuse tühistamiseks koputage üks kord taimeri (B13) nuppu, ALARMi ikoon kustub.

RADIO KASUTAMINE

1. Koputage seadme sisselülitamiseks POWER / STANDBY nuppu (A1, B1) põhiseadmel või kaugjuhtimispuldil.
2. FM-režiimi valimiseks puudutage põhiseadme või kaugjuhtimispuldi nuppu SOURCE (A1, B11), ekraanile ilmub FM-raadiosagedus.
3. Konkreetse raadiojaama käsitsi häälestamiseks toksake korduvalt põhiseadme või kaugjuhtimispuldi nuppu Jälgi alla, Jälgi üles (A10, A11, B8, B18). Kasutage käsitsi häälestamise meetodit, et häälestada nõrgemaid jaamu, millest automaatse häälestamise ajal möödub.
4. Järgmise saadaoleva raadiojaama automaatselt häälestamiseks hoidke põhiseadmel või kaugjuhtimispuldil Track Down nuppu (A10, A11, B8, B18) all ja hoidke seda 1-2 sekundit, kuni ekraanil kuvatav sageduse näit hakkab skannima ja seejärel vabasta nupp. Tuuner lõpetab skaneerimise, kui ta saab järgmise piisava signaalitugevuse saatejaama.
5. Vajutage põhiseadme või kaugjuhtimispuldi helitugevuse regulaatorit, et reguleerida helitugevuse regulaator soovitud helitugevuse tasemele.

FM / FM stereo vastuvõtt

FM-raadio kuulamisel vajutage stereorežiimi ja monorežiimi vahetamiseks kaugjuhtimispuldil nuppu ST./ MONO (B16). Kui seade on stereorežiimis, ilmub ekraanile FM stereoikoon "ST". Kui nõrk jaam on vastuvõetav, on parem programm vastu võtta ühevärvilisena.

PARIMA VASTUVÕTMISE NÕUANDED:

FM - parimaks FM-vastuvõtmiseks FM-juhtmeantenn, mis asub seadme tagaküljel tuleks täielikult lahti pakkida ja laiendada.

MÄRKUS: Automaatne häälestamine sõltub saatejaama signaali tugevusest, seega võivad nõrgad jaamad vahele jääda. Kui jaam jääb vahele, saate nõrkade jaamade otsimiseks käsitsi häälestada. Tugevate signaalide korral võib tuuner peatuda enne, kui see jõuab tegeliku edastussagedusele, nii et võib-olla peate parima vastuvõtu jaoks käsitsi häälestama.

Raadiojaamade eelpositsioon

1. Vajutage seadme sisselülitamiseks nuppu POWER / STANDBY (A1, B1) põhiseadmel või kaugjuhtimispuldil.
2. FM-raadio režiimi valimiseks puudutage põhiseadme või kaugjuhtimispuldi nuppu SOURCE (A1, B11).
3. Vajutage ja hoidke all põhiseadme või kaugjuhtimispuldi nuppu Jälgi alla, Jälgi üles (A10, A11, B8, B18), kuni ekraanil kuvatav sageduse näit hakkab skannima, ja vabastage siis automaatse otsingu ja eelseadistatud kanalite nupp. Ekraanile ilmub ja vilgub "PROG". Automaatne otsimine ja programm peatuvad P01 juures pärast skannimise lõppu, ekraanil kuvatakse püsivalt "PROG".
- Märkus. Kui automaatse otsingu ja programmeeritud eelhäälestuse ajal salvestatud kanalid pole need, mida soovite salvestada, kasutage raadiosaadete käsitsi salvestamiseks allolevat meetodit.
4. Häälestage soovitud raadiojaamale kas käsitsi või automaatselt automaatselt.
5. Koputage nuppu PROG . (B3) kaugjuhtimispuldil, järgmine saadaolev mälu number ja vilkuv PROG . (B3) ikoon ilmub LCD-ekraanile. (Märkus. Kui te programmeerite eelseadeid esimest korda, kuvatakse ekraanil "P01")
6. Puudutage PRE. Nupp (B15, B19) põhiseadmel või kaugjuhtimispuldil, et valida eelhäälestatud number, millele soovite jaama määrata.
7. Koputage nuppu PROG . (B3) Nupp seadistuse kinnitamiseks.
8. Korrake ülaltoodud samme 4 - 8, et eelhäälestada kuni 30 FM-jaama.

ESIMENE MÄLUkanalite meenutamine

Raadiorežiimis kutsuge eelseadistatud kanalid tagasi, vajutades nuppu PRE. Nupp (B15, B19) kaugjuhtimispuldil korduvalt.

CD-MÄNGIJA KASUTAMINE

Märge:

1. See CD-mängija ei esita mitte ainult kommerts CD-sid, vaid ka ise koostatud CD-R / RW, MP3-plaate. Ärge proovige mängida CD-ROMi, CDI, VCD, DVD ega arvuti CD-sid.
2. MP3 on pakkimisviis. See on lühend, mis tähistab MPEG Audio Layer 3. MP3 on helikoodi tüüp, mida töödeldakse algse heliallika märkimisväärselt tihendamise teel, helikvaliteedi langusega väga vähe.
 - See süsteem toetab MPEG 1 Layer 3 ja VBR faile.
 - VBR- faili taasesituse ajal võib ekraanil olev loendur erineva tegelikust taasesituse ajast.
 - MP3 toetab bitikiirus on 32–320 kbps

Lugege seda olulist teavet:

Sellistes seadmetes kasutatavad CD-mehhanismid on mõeldud kõigi kaubanduslike CD-de lugemiseks. See loeb ka ise koostatud CD-R / CD-RW, MP3-plaate, kuid tegeliku taasesituse alustamiseks võib kuluda kuni 10 sekundit. Kui taasesitust ei alustata, on see tõenäoliselt tingitud CD-R / RW, MP3-plaadi kvaliteedist ja / või CD-kompileerimise tarkvara ühilduvusest. Tootja ei vastuta CD-R / RW, MP3-ketaste taasesituse kvaliteedi eest.

Arge kinnitage etiketti ega pitsert CD-R / RW, MP3-plaadi kummalegi küljele. See võib põhjustada talitlushäireid.

CD MÄNGIMINE

1. Vajutage seadme sisselülitamiseks nuppu POWER / STANDBY (A1, B1) põhiseadmel või kaugjuhtimispuldil.
2. Puudutage CD-režiimi valimiseks kaugjuhtimispuldil või põhiseadme nuppu SOURCE (A1, B11) ja seejärel vajutage nuppu Ava plaadisahtel.
3. Asetage heli-CD keskmisele spindlile nii, et sildi külg jääb CD-ukse poole. Sulgege plaadisahtel.
4. Seade hakkab ketast lugema, ekraanil ja vilgub "----". Mõne sekundi pärast näitab palade koguarv ühte sekundit ja seejärel kuvatakse LCD-ekraanil CD koguaeg.
5. Vajutage põhiseadme või kaugjuhtimispuldil nuppu PLAY / PAUSE (A9, B22), ekraanil kuvatakse PLAY indikaator, CD hakkab mängima esimeselt palalt.
6. Vajutage helitugevuse regulaatorit Reguleerige helitugevust. soovitud helitugevuse reguleerimiseks põhiseadmel või kaugjuhtimispuldil.
7. Esituse peatamiseks vajutage põhiseadme või kaugjuhtimispuldil nuppu PLAY / PAUSE (A9, B22). Raja aeg peatatakse ja ekraanil ilmub teade PAUSE. Esituse jätkamiseks vajutage uuesti nuppu CD PLAY / PAUSE (A9, B22).
8. Saate valida, kas mängida oma lemmiklugu otse, vajutades kas Track Down, Track up (A10, A11, B8, B18). Vedelkristallekraan näitab õige valitud pala numbrit.
9. Raja kindla lõigu leidmiseks hoidke all nuppu Track Down, Track up (A10, A11, B8, B18), kuni see osa leitakse. Valiku esitamise jätkamiseks vabastage nupp.
10. Esituse peatamiseks vajutage nuppu STOP (A8, B25).

MP3-Ketta taasesituse kord

CD-R / RW, MP3 taasesitamiseks

1. Vajutage kaugjuhtimispuldil nuppu SOURCE (A1, B11) ja laadige MP3-ketas.
 2. Vajutage nuppu FOLDER (B15, B19), et valida soovitud taasesituskaust.
 3. Valige taasesitatav fail, vajutades nuppu Track Down, Track up (A10, A11, B8, B18).
 4. Vajutage nuppu PLAY / PAUSE (A9, B22). Taasesitus algab ja kuvatakse faili nimi.
- s In puhul taasesitust kausta režiimis, vajutage kausta (B15, B19) nuppu ja kausta saab valida, kuigi see on taasesituse / pausi režiimis. See jätkab taasesituse / pausi režiimi valitud kausta 1. rajal.

USB / MP3-MÄNGIJA TAGASI MÄNGIMISEKS Voldikuga

1. USB-funktsiooni valimiseks vajutage korduvalt põhiseadme nuppu SOURCE (A1, B11) või nuppu SOURCE (A1, B11). Ühendage USB-mäluseade, millel on seadmel MP3-vormingus faile. Kui USB-mälu on põhiseadmega ühendatud, kuvatakse seadme teave.
2. Vajutage nuppu FOLDER (B15, B19), et valida soovitud taasesituskaust. Taasesituse alustamiseks sisselülitatud kaustarežiimil liikuge juhiüle.
3. Valige taasesitatav fail, vajutades nuppu Track Down, Track up (A10, A11, B8, B18).
4. Vajutage nuppu PLAY / PAUSE (A9, B22). Taasesitus algab ja kuvatakse faili nimi.

MARGE:

- See toode ei ühildu USB-massmäluseadme või MP3-mängija MTP- ja AAC- failisüsteemidega.
- See seade toetab FAT16 ja FAT32, kuid mõned USB-mäluseadmed ei pruugi toetada mõlemat failisüsteemi. Üksikasju leiate vastava USB-mäluseadme kasutusjuhendist või pöörduge tootja poole.

JÄTKUMISE JA OTSINGU REŽIIM

1. Esituse või pausi režiimis puudutage nuppu Track Down, Track up (A10, A11, B8, B18), et liikuda järgmisele rajale või minna tagasi praeguse pala algusesse.
2. Esituse ajal vajutage ja hoidke all Track Down, Track up (A10, A11, B8, B18), et otsida praegusel rajal kuuldava kiire taasesituse abil.

Erinevad mängurežiimid (ainult kaugjuhtimispult)

Vajutage korduvalt kaugjuhtimispuldil nuppu REPEAT (B6), et valida CD esitamise ajal erinevad esitusrežiimid.

CD esitamisel näidatakse esitusrežiime järgmiselt:

Korda
Korda kõiki
Tavaline

REPEAT 1 - esitatav pala korratakse pidevalt. Korra ühte ikooni "REPEAT 1" kuvatakse ekraanil.
REPEAT ALL - kõiki lugusid korratakse pidevalt. Korda kõiki ikooni "REPEAT ALL" kuvatakse ekraanil.

RANDOM MÄNG

Kui nappu RANDOM (B20) vajutatakse kolm korda, süttib LCD-ekraanil tähis " RDM ". Plaadi lugusid saab automaatselt mängida juhuslikus järjekorras.

Juhusliku mängu tühistamiseks:

Vajutage uuesti nappu RANDOM (B20). " RDM " indikaator kaob.

MÄRGE:

Kui vajutad nappu juhusliku esituse ajal, saate liikuda rajale, mis valitakse juhusliku toiminguga abil järgmisena. Teisest küljest ei luba napp teil eelmisele rajale liikuda. Esitatava loo algus asub.

Juhusliku esituse korral valib seade ja mängib rajad automaatselt. (Te ei saa palade järjekorda valida.)

SISSEJUHATUS

1. Vajutage kaugjuhtimispuldil nappu INTRO (B20). Ekraanil kuvatakse indikaator "INTRO (B20)".

Seade mängib iga pala esimest 10 sekundit.

2. Normaalse taasesituse jätkamiseks vajutage uuesti kaugjuhtimispuldil INTRO (B20).

MÄNGIDA JÄLJAVADE PROGRAMMEERIMIST

See funktsioon võimaldab lugusid mängida programmeeritud järjestuses. Kasutaja saab programmeerida kuni 32 lugu CD-režiimis või 99 pala MP3-s mis tahes

MÄRKUS: Programmi saab seada ainult STOP-režiimis.

1. Koputage nappu PROG . Nupul (B3) kaugjuhtimispuldil kuvatakse ekraanil programmi number "1", LCD-ekraanil vilgub ka ikoon " PROG " ja CD-numbri number "-". (Märkus. Kui programmeerite esimest korda, kuvatakse ekraanil „1 -“).

2. Soovitud raja valimiseks kasutage põhiseadet või kaugjuhtimispulti Track Down, Track up (A10, A11, B8, B18). Raja number kuvatakse ekraanil.

3. Koputage nappu PROG . Nupp (B3) põhiseadmel või kaugjuhtimispuldil valitud pala salvestamiseks mällu liigutab järgmine programminumber LCD-ekraanil ühe (st "2").

4. Kui soovite rohkem lugusid mällu salvestada, korrake punkte 2 kuni 3. Saate salvestada kuni CD 32, MP3 99 lugusid. Pärast palade programmeerimist kuvatakse ekraanil "FUL".

5. Puudutage nappu PLAY / PAUSE (A9, B22), põhiseadmel või kaugjuhtimispuldil, et alustada CD mängimist programmeeritud järjestuses.

6. Vajutage kaugjuhtimispuldil nappu REPEAT (B6), et valida vajadusel Kordus 1 / Kõik.

7. Esituse peatamiseks vajutage põhiseadmel või kaugjuhtimispuldil nappu STOP (A8, B25).

Programmi esituse tühistamiseks vajutage põhiseadme või kaugjuhtimispuldil nappu STOP (A8, B25) kaks korda, ikoon " PROG " kaob ekraanilt.

BLUETOOTH-TÖÖ

Seadme sisselülitamiseks vajutage nappu POWER / STANDBY (A1, B1) ja Bluetoothi kaudu ühenduse loomiseks järgige allolevaid juhiseid.

BLUETOOTH Lubatud mobiiltelefoni või muu BLUETOOTH Lubatud seadme PAALIMINE (linkimine) seadmele

Kui CR 1173 pole kunagi varem Bluetooth-seadmega ühendatud olnud. Seadme ja Bluetooth-seadme ühendamiseks peate järgima allpool toodud sidumisjuhiseid.

1. Vajutage seadme sisselülitamiseks nappu POWER / STANDBY (A1, B1) põhiseadmel või kaugjuhtimispuldil.

2. Bluetooth-režiimi valimiseks puudutage pea- või kaugjuhtimispuldil nappu SOURCE (A1, B11) , ekraanile ilmub ja vilgub teade Bluetooth " bt "

3. Kui CR 1173 pole kunagi varem Bluetooth-seadmega ühendatud või ei leia viimast seotud seadet, siis vilgub LCD-ekraanil vilkuv " bt ", et XXX on otsingurežiimis. Seadme ja Bluetooth-seadme ühendamiseks peate järgima allpool toodud sidumisjuhiseid.

· Lülitage oma Bluetooth-seadme Bluetooth-funktsioon sisse ja lubage CR 1173 leidmiseks otsingu- või skannimisfunktsioon.

· Valige seadmeloendist "CR 1173", kui see kuvatakse seadme ekraanil. CR 1173 ja seadme sidumiseks (linkimiseks) sisestage vajadusel pääsukood „0000“.

4. Pärast edukat sidumist (ühendamist) muutub ekraan, et näidata püsivalt " bt " , ekraanil kuvatakse ka Bluetoothi ikoon. Võite alustada muusika esitamist oma Bluetooth-seadmest juhtmevabalt kõlarite.

5. Pärast lemmiklaulu valimist vajutage loo esitamiseks või peatamiseks nupul PLAY PAUSE (B22, A9) seadmel või kaugjuhtimispuldil.

6. Vajutage põhiseadme või kaugjuhtimispuldil helitugevuse regulaatorit, et reguleerida soovitud helitugevust.

7. Eelmise või järgmise loo juurde liikumiseks vajutage põhiseadme või kaugjuhtimispuldil nappu Track Down, Track up (B8, B9).

8. Kui soovite seadme siduda mõne teise Bluetooth-seadmega, vajutage ja hoidke 3 sekundit all nappu PAIR (B10) või lülitage seade, millega praegu seade on seotud, Bluetooth-funktsioon välja, siis korrake ülaltoodud 3. sammu.

Märkused:

1.) Bluetoothi toimimiseks lugege oma mobiiltelefoni, tahvelarvuti, arvuti või muude Bluetoothi võimaldavate seadmete kasutusjuhendit, kuna see võib mudeliti erineda.

2.) Kui teie Bluetooth-seade ei toeta A2DP-profiili, ei esita see kõlari kaudu muusikat, isegi kui see on ühendatud (ühendatud).

3.) Kui ühendate oma arvutiga seadme ühendamise (linkimise) Bluetoothi abil, peate võib-olla valima kõlari arvuti vaikeseadmeks.

SISENDITE TÄIENDAV TÖÖ

Sellel seadmel on täiendav helisignaali sisendpesa väliste heliseadmete, näiteks MP3-mängijate, digitaalse heliseadme, ühendamiseks ja selle seadme kõlarite kaudu kuulamiseks.

1. Kasutage helikaablit (ei kuulu komplekti), mille kaabli mõlemas otsas on üks 3,5 mm stereopistik.

2. Ühendage üks ots põhiseadme AUX IN JACK (A5) külge ja teine kaabli ots välise heliseadme väljundpesa või kõrvaklappide pistikusse.

3. Lülitage seade ja välise heliseade sisse.

4. AUX-režiimi valimiseks puudutage pea- või kaugjuhtimispuldil nappu SOURCE (A1, B11), ekraanile ilmub ikoon "AUX", ekraanile kuvatakse "AUX" teade.

5. Helitugevust saab nüüd põhiseadme kaudu juhtida. Kasutage kõiki muid lisaseadme funktsioone nagu tavaliselt.

Märge:

· Kui ühendate selle seadme välise seadme väljundpesaga, peate reguleerima ainult selle seadme helitugevuse kontrolli. Kui ühendate välise seadme kõrvaklappide pistikupesaga, peate võib-olla soovitud helitugevuse seadmiseks kohandama nii välise seadme kui ka selle seadme helitugevuse juhtelemente.
PRESET EQ (AINULT KAUGJUHTIMINE)
See seade pakub teie kuulamiskogemuse parendamiseks 4 erinevat EQ režiimi. Soovitud efekti saate valida, vajutades kaugjuhtimispuuldi nuppu EQ (B5) korduvalt järgmises järjekorras:

ROCK POP JAZZ CLASSIC OFF

MUTE NUPP (AINULT KAUGJUHTIMINE)

· Kõlarist väljuva heli ajutiseks vaigistamiseks vajutage kaugjuhtimispuuldi nuppu MUTE (B21). Ekraanile ilmub "V 00".
· Kõlarite tavapärase taasesituse jätkamiseks vajutage uuesti nuppu MUTE (B21) või VOLUME CONTROL (B23, A12).

UNEQA TOIMINGUD (AINULT KAUGJUHTIMINE)

Unetaimer võimaldab seadet pärast määratud aja saabumist välja lülitada.

1. Unetaimeri aktiveerimiseks lülitage seade sisse ja koputage nuppu SOURCE (A1, B11), et valida FM-raadio, CD, USB, Bluetooth või muusika kuulamine AUX IN kaudu.
2. Puudutage kaugjuhtimispuuldi nuppu SLEEP (B14), ekraanile ilmub uneaja ikoon "SLEEP".
3. Uneaja valimiseks koputage korduvalt nuppu SLEEP (B14). Seade lülitub välja 10, 20, 30, 40, 50, 60, 70, 80 või 90 minuti pärast. Pärast valimist oodake 3 sekundit, et seade kinnitaks, seade mängib valitud aja jooksul, siis lülitub automaatselt välja.
4. Unetaimeri tühistamiseks toksake korduvalt nuppu SLEEP (B14), kuni taimer näitab "OFF", uneaja ikoon "SLEEP" kaob ekraanilt
5. Seadme väljalülitamiseks enne valitud aja möödumist vajutage igal ajal POWER / STANDBY nuppu (A1, B1).

Märkused:

- 1.) Järelejäanud uneaja kontrollimiseks koputage nuppu SLEEP (B14) üks kord.
- 2.) Kui jääte AUX-sisendiga ühendatud välisseadmelt muusikat magama, lülitab une taimer selle süsteemi toite välja, kuid ei lülita välist seadet välja.

KÕRVAKÕLADE KASUTAMINE

Kui sisestate kõrvaklappide pistiku stereokõrvaklappipesa (A17), saate eraviisiliselt kuulata CD- või raadiomuusikat. Kõrvaklappide kasutamisel ühendatakse sisseehitatud kõlarid lahti.

Lugege seda tähtsat teavet enne oma kõrvaklappide kasutamist

1. Vältige väga suure helitugevuse pikendatud esitust, kuna see võib teie kuulmist halvendada.
2. Kui kõrvus kostab helin, vähendage helitugevust või lülitage seade välja.
3. Hoidke helitugevust mõistlikul tasemel isegi siis, kui peakomplekt on vabaõhutuüpi, mis on ette nähtud väliste helide kuulmiseks. Pange tähele, et liiga suur heli võib ikkagi välistes helid blokeerida.

Lähtestamine

Kui süsteem ei reageeri või töötab valesti, võite olla kogenud elektrostaatilist tühjenemist (ESD) või vooluhulga suurenemist, mis käivitab sisemise arvuti automaatse väljalülituse. Sel juhul eemaldage vahelduvvoolu juhe toiteallikast, oodake 60 sekundit ja ühendage seejärel toitejuhe uuesti toiteallikaga. Seade lähtestatakse, peate seadistama kella, äratuse ja eelhäälestatud raadiojaamad.

Hooldus ja hooldus

1. Ärge hoidke seadet liigse jöu, löögi, tolmu ega äärmuslike temperatuuride käes (üle 40 ° C).
2. Ärge rikkuge seadme sisemisi osi.
3. Puhastage seadet kuiva lapiga. Lahustit või pesuvahendit ei tohiks kunagi kasutada.
4. Vältige seadme jätmist otsese päikesevalguse kätte või kuumale, niiskesse või tolmusesse kohta.
5. Hoidke oma seadet eemal kütteseadmetest ja elektrimüra allikatest, näiteks luminofoorlampidest või mootoritest.
6. Kui muusika esitamisel katkestab muusika katkemine või katkeb CD või kui CD üldse ei õnnestu, võib selle põhjapind vajada puhastamist. Enne mängimist pühkige ketas keskelt väljapoole pehme pehme puhastuslapiga.

SEADME PUHASTAMINE

- Tule- või põrutusohu vältimiseks eraldage puhastamisel seade vooluvõrgust.
- Seadme viimistluse võib puhastada tolmulapi abil ja hooldada nagu muud mööblit. Plastosade puhastamisel ja pühkimisel olge ettevaatlik.
- Kui kapp muutub tolmuks, pühkige seda pehme kuiva tolmulapiga. Ärge kasutage kapil vaha- ega poleerimispihusteid.
- Kui esipaneel määrdub või määrdub sõrmejälgedega, võib seda puhastada pehme seebi ja vee lahusega pisut niisutatud lapiga. Ärge kunagi kasutage abrasiivseid lappi ega poleerimisvahendeid, kuna need võivad teie seadme viimistlust kahjustada.

ETTEVAATUST: Puhastamise ajal ärge laske seadme sisemusse sattuda vett ega muid vedelikke

Tehniised andmed

Toitevajadused:

Põhiseade: 230 V ~ 50 Hz

Kaugjuhtimispuuldi: CR2025 V3

DISC-mängija sektsioon

Süsteem: kompaktplaadi ja digitaalse audiosüsteemi Laser Diode omadused

Heite kestus: pidev

Laseri väljund: vähem kui 44,6 M w (see väljund on väärtuse mõõtmine objektiiviga objektiiviga pinnast 200 mm kaugusel optilise kiirendusploki korral, mille ava on 7 mm.)

Sagedusvahemik
FM-tuunerī seksioon:
Häälestusvahemik: 87,5 MHz – 108,0 MHz (samm 50 kHz).

Kõlari võimsus: 2x 5W
Max: 28W

Seade on valmistatud II ohutusklassis ja ei vaja maandamist.
Seade on vastavuses direktiivide nõudmistega:
Madalpinge elektriseade (LVD)
Elektromagneetiline ühilduvus (EMC)
Toode on märgistatud andmeplaadil CE märgiga



Hoolitse keskkonnakaitse eest. Kartongist pakendid vii makulatuuri. Kilekotid (PE) viska kasutatud plastiku jaoks ettenähtud mahutitesse. Kasutatud seadmed vii selleks ettenähtud kogumispunktidesse, sest seadmes leiduvad ohtlikud elemendid võivad olla kahjulikud keskkonnale. Elektriseadmed tuleb anda nii ära, et seadet ei saaks enam uuesti kasutada. Kui seadmes on patareid, tuleb need välja võtta ja anda eraldi kogumispunkti. Seadet ei tohi visata olmejäätmete konteineritesse!!

ROMÂNĂ

CONDIȚII DE SIGURANȚĂ INSTRUȚIUNI IMPORTANTE PRIVIND SIGURANȚA DE UTILIZĂRE Vă rugăm să citiți cu atenție și să păstrați-vă pentru REFERINȚĂ VIITOARE
Condițiile de garanție sunt diferite, dacă dispozitivul este utilizat în scopuri comerciale.

1. Înainte de utilizarea produsului citiți cu atenție și respectați întotdeauna următoarele instrucțiuni. Producătorul nu este responsabil pentru daunele cauzate de folosirea necorespunzătoare.
2. Produsul trebuie utilizat numai în interior. Nu utilizați produsul în nici un scop care nu este compatibil cu aplicația sa.
3. Tensiunea aplicabilă este de 230V, ~ 50Hz. Din motive de siguranță, nu este adecvată conectarea mai multor dispozitive la o priză.
4. Vă rugăm să fiți precauți atunci când utilizați în jurul copiilor. Nu lăsați copiii să se joace cu produsul. Nu lăsați copii sau persoane care nu cunosc aparatul să o folosească fără supraveghere.
5. Avertisment: Acest aparat poate fi utilizat de copiii cu vârsta peste 8 ani și de persoane cu capacități reduse fizice, senzoriale sau mentale sau cu persoane fără experiență sau cunoaștere a dispozitivului, numai sub supravegherea unei persoane responsabile pentru siguranța acestora sau dacă au fost instruiți cu privire la utilizarea în siguranță a dispozitivului și sunt conștienți de pericolele asociate cu funcționarea acestuia. Copiii nu ar trebui să se joace cu dispozitivul. Curățarea și întreținerea dispozitivului nu trebuie efectuate de copii, cu excepția cazului în care au vârsta de peste 8 ani și aceste activități sunt efectuate sub supraveghere.
6. După ce ați terminat de utilizat produsul, nu uitați să scoateți ușor mufa de la priza care ține priza cu mâna. Nu trageți niciodată cablul de alimentare!
7. Nu puneți niciodată cablul de alimentare, ștecherul sau întregul dispozitiv în apă. Nu expuneți niciodată produsul la condițiile atmosferice, cum ar fi lumina directă a soarelui sau ploaia, etc. Nu utilizați niciodată produsul în condiții de umiditate.
8. Verificați periodic starea cablului de alimentare. În cazul în care cablul de alimentare este deteriorat, produsul trebuie transformat într-un loc de service profesionist care trebuie înlocuit pentru a evita situațiile periculoase.

9. Nu utilizați niciodată produsul cu un cablu de alimentare deteriorat sau dacă acesta a fost aruncat sau deteriorat în orice alt mod sau dacă nu funcționează corect. Nu încercați să reparați singur produsul defect, deoarece poate provoca șocuri electrice. Întoarceți întotdeauna dispozitivul deteriorat într-o locație de servicii profesională pentru a fi reparat. Toate reparațiile pot fi efectuate numai de profesioniști autorizați. Reparația care a fost efectuată incorect poate cauza situații periculoase pentru utilizator.

10. Nu puneți niciodată produsul pe sau în apropierea suprafețelor calde sau foarte calde sau a aparatelor de bucătărie cum ar fi cuptorul electric sau arzătorul cu gaz.

11. Nu utilizați niciodată produsul în apropierea combustibililor.

12. Nu lăsați cablul să stea peste marginea conturului sau să atingă suprafețele fierbinți.

13. Nu lăsați niciodată produsul conectat la sursa de alimentare fără supraveghere. Chiar și atunci când utilizarea este întreruptă pentru o perioadă scurtă de timp, opriți-o din rețea, deconectați-l de la priză.

14. Pentru a asigura o protecție suplimentară, se recomandă instalarea dispozitivului de reziduu de curent (RCD) în circuitul de alimentare, cu o valoare a curentului rezidual de cel mult 30 mA. Contactați un electrician profesionist în această problemă.

15. Evitați umezirea radioului.

16. Radioul poate fi șters numai cu o cârpă uscată. Nu utilizați apă sau lichide de curățare.

17. Radioul trebuie ținut într-o încăpere uscată.

DISPOZITIV:

1. POWER ON / OFF STANDBY INDICATOR 2. SOURCE 3. TIMP DE SET / BUTON DE MEMORIE
4. CANALUL TUNERULUI - 5. AUX ÎN 6. USB 7. CANALUL TUNER +
8. BUTONUL STOP CD / BLUETOOTH Perechea
9. BUTON DE CĂUTARE AUTO CD / BLUETOOTH / PAUSE / RADIO AUTO
10. SKIP CD / BLUETOOTH ANTERIOR / TUNE - BUTON
11. CUTIE CD / BLUETOOTH NEXT / TUNE + BUTON
12. DISPOZITIE DE CONTROL AL VOLUMULUI 13. LCD
14. BUTONUL CD DESCHIS / ÎNCHIS 15. CD DOOR 16. FM ANTENNA
17. CONECTOR DE VORBITORI DE CUTI 18. CONECTOR DE SPEAKER DREPT 19. CONECTOR DE VORBITOR
20. ADAPTOR DE PUTERE DC 21. UȘA COMPARTAMENTULUI BATERIE

TELECOMANDĂ:

1. BUTONUL CĂUTĂRII DIRECTOARE PORNIRE / APARARE STANDBY 2. DISC
3. PROG. BUTON 4. BUTON DESCĂRCAT CD / USB POSIBIL SAU TIMPUL DOWN, BUTONUL TUNER JOWN.
5. BUTONUL DE ECHALIZARE 6. BUTONUL DE REPETARE 7. BUTONUL DE BASS 8. X BUTONUL DE Jos
9. BUTON DE CĂUTARE AUTO CD / BLUETOOTH / PAUSE / RADIO AUTO
10. SKIP CD / BLUETOOTH ANTERIOR / TUNE - BUTON
11. CUTIE CD / BLUETOOTH NEXT / TUNE + BUTON
12. SET CLOCK 13. LCD DISPLAY 14. CD BUTON DESCHIS / ÎNCHIDERE POR
15. CD DOOR 16. FM ANTENNA 17. HEACKPHONE JACK
18. CONECTOR DE SPEAKER DREPT 19. CONECTOR DE SPEAKER
20. BUTON RANDOM ȘI BUTON INTRO. 21. UȘA COMPARTAMENTULUI
22. BUTONUL BL PLAY / PAUSE 23. VOLUM UP UN BUTTON DOWN
24. BUTON CD BT PLAY / PAUSE 25. CD BUTON STOP

CONEXIUNI SISTEMULUI

Asigurați-vă că pentru a deconecta cablul de alimentare ca este deconectat de la priza de perete înainte de a face conexiuni.

Conexiune de curent alternativ

Conectați cablul de alimentare la o priză de 230V ~ 50 Hz disponibilă. Asigurați-vă că dopul este introdus în siguranță în priza de curent alternativ

Instalarea bateriilor pentru backup-ul. bateriei

1. Scoateți ușa compartimentului bateriei situată în partea de jos a unității principale.
2. Urmați marcasele de polaritate din interiorul compartimentului bateriei și introduceți 2 x baterii AAA (neincluse) în cele două sloturi situate în compartimentul bateriei.
3. Înlocuiți ușa bateriei.

NOTE:

- Când înlocuiți bateriile de rezervă, nu deconectați cablul de alimentare de la priza de perete. În acest caz, toate datele curente și setările de alarmă vor fi șterse.
- Dacă unitatea va fi lăsată neîncărcată pentru o perioadă lungă de timp, scoateți bateriile pentru a evita orice deteriorare care poate apărea în cazul în care bateriile se scurg și cauzează coroziune.

Telecomandă

Telecomanda funcționează pe o baterie de litiu 3V CR2025 (inclusă în telecomandă). Pentru a activa telecomanda, scoateți fila izolatoare introdusă în compartimentul bateriei.

Dacă funcționarea de la distanță devine intermitentă sau nesatisfăcătoare, înlocuiți bateria originală cu o nouă baterie de litiu CR2025 3V. După apăsarea în jos pe capacul compartimentului, glisați suportul bateriei din carcasa telecomenzii.

2. Remontați bateria asigurându-vă că aceasta este instalată corect. Telecomanda nu va funcționa dacă bateria este instalată cu polaritate greșită.

PRUDENTĂ:

- 1.) Pericol de explozie dacă bateria este înlocuită incorect.
- 2.) Înlocuiți numai bateria de același tip sau echivalent.
- 3.) Introduceți suportul bateriei înapoi în slotul bateriei.

ACTIVAREA / DEZACTIVAREA UNITĂȚII

1. În modul Oprit (de așteptare), atingeți butonul POWER / STANDBY (A1, B1) de pe unitatea principală sau telecomandă pentru a porni unitatea. Unitatea se va porni, pe ecranul LCD va apărea ultima pictogramă a modului de intrare selectat.
2. Pentru a opri unitatea (standby), atingeți din nou butonul PORNIRE POWER / STANDBY (A1, B1) de pe unitatea principală sau telecomandă. Ecranul LCD va deveni slab și va afișa ora curentă. Indicatorul modului de așteptare se aprinde.

SETAREA Ceasului

După conectarea la curent alternativ, va apărea „00:00” și va începe să clipească pe ecranul LCD.

1. În modul Oprit (Standby), apăsați și mențineți apăsat butonul CLOCK SET (B13) de pe telecomandă sau unitatea principală, formatul „24 HOUR” va apărea pe afișaj.
2. Atingeți butonul anterior / următorul (B4, B18) de pe telecomandă sau unitatea principală pentru a selecta formatul de 24 de ore, dacă este necesar. În caz contrar, apăsați butonul CLOCK SET (B12) pentru a confirma formatul de ceas 12 ore și a intra în modul de configurare a ceasului, cifrele Hour vor clipi.
3. Apăsați butonul anterior / următorul (B4, B18) de pe telecomandă sau unitatea principală pentru a regla ora. Apăsați și mențineți apăsat butonul pentru setare avans / invers rapid.
- Notă: Asigurați-vă că ora este setată astfel încât indicatorul PM să fie afișat corect.
4. Atingeți butonul CLOCK SET (B12) de pe telecomandă pentru a confirma setarea orei, cifrele minute vor clipi pentru a solicita introducerea.
5. Atingeți butonul anterior / următorul (B4, B18) de pe telecomandă sau unitatea principală pentru a regla minutul. Apăsați și mențineți apăsat butonul pentru setare avans / invers rapid.
6. Apăsați din nou butonul CLOCK SET (B12) de pe telecomandă pentru a finaliza setarea.

NOTĂ: Presetările pentru ceas și posturi de radio vor trebui resetate dacă întreruperea alimentării sau în cazul unei întreruperi de curent. Va apărea „00:00” și va începe să clipească pe ecranul LCD pentru a vă anunța că energia a fost întreruptă și că ceasul va trebui resetat. Vă rugăm să urmați pașii 1-6 de mai sus pentru a reseta ceasul.

VERIFICAREA Ceasului

Unitatea va afișa ora curentă în modul de așteptare. Pentru a verifica ora curentă în modul de pornire, apăsați și mențineți apăsat butonul CLOCK SET (B12) de pe unitatea principală sau telecomandă timp de 3 secunde, ora curentă va apărea timp de 5 secunde și apoi revine la ecranul anterior.

FUNCTIONAREA ALARMEI (NUMAI CONTROL DE LA TELECOM)

SETAREA Ceasului de alarmă

Această funcție permite sistemului să pornească automat și să vă trezească folosind o alarmă sonoră, CD-ul, USB-ul sau BU RADIO.

1. Apăsați și mențineți apăsat butonul TIMER (B13) de pe telecomandă până când pe afișaj apare „Pornit” și cifrele de oră clipească.
2. Apăsați butoanele anterior / următor (B4, B18) pentru a regla cifrele de oră, apoi apăsați butonul TIMER pentru a confirma. Cifrele minute vor clipi pe afișaj.
3. Apăsați butoanele anterior / următor (B4, B18) pentru a regla cifrele minute, apoi apăsați butonul TIMER (B13) pentru a confirma.
4. Când este setat butonul anterior / următor (B4, B18) On Timer Clock, afișajul va afișa „OFF” și cifrele de oră vor clipi.
5. Apăsați butoanele anterior / următor (B4, B18) pentru a regla cifrele de oră, apoi apăsați butonul TIMER (B13) pentru a confirma. Cifrele minute vor clipi pe afișaj.
6. Apăsați butonul anterior / următorul (B4, B18) de pe telecomandă pentru a ajusta cifrele minute, apoi apăsați butonul TIMER pentru a confirma.
7. Apăsați butoanele pentru a selecta modul CD, USB, BT sau FM, apoi apăsați butonul TIMER (B13) pentru a confirma. Pe afișaj va apărea „VOL #” și bliț.
- Apăsați butoanele anterior / următor (B4, B18) pentru a regla volumul, apoi apăsați butonul TIMER pentru a confirma.
8. Apăsați butonul TIMER (B13) pentru a selecta „Timer Pornit”, iar Temporizatorul este acum stabilit.
9. În modul de așteptare, pictograma Timer va apărea pe afișaj pentru a indica Timerul este pornit.

NOTĂ:

- 1.) Dacă „Wake to CD, USB” este selectat, dar un CD nu este introdus, alarma va fi implicat automat la Beeping Alarm atunci când se ajunge la ora de veghe a alarmei.
- 2.) Pentru „Wake to Radio”, sistemul va fi implicat la ultimul post de radio FM ascultat înainte de oprire.
- 3.) Alarma crescendo va crește la nivelul de volum setat.

FUNCTIA DE ALARMĂ ACTIVĂ / DE-ACTIVE

1. Pentru a activa ALARM, atingeți o dată butonul TIMER (B13), iar pe ecranul LCD va apărea pictograma de alarmă.

2. Anulați funcția ALARM apăsând din nou pe butonul TIMER (B13). Pictograma de alarmă se va stinge.

Alarma la radio, CD, USB sau BUZZER

- Când timpul de alarmă este atins, semnalul sonor CD, USB sau radio va suna timp de 60 de minute, apoi se oprește și se resetează pentru ziua următoare (fără a apăsa butonul de amânare).
- Pentru a opri alarma imediat după ce sună, atingeți butonul POWER / STANDBY (A1, B1) de pe telecomandă sau de pe unitatea principală o singură dată. Se resetează pentru ziua următoare.
- Pentru a anula alarma de a doua zi, atingeți butonul TIMER (B13) o dată, pictograma ALARM se stinge.

FUNCȚIONARE RADIO

1. Apăsăți butonul POWER / STANDBY (A1, B1) de pe unitatea principală sau telecomandă pentru a porni aparatul.
2. Apăsăți butonul SOURCE (A1, B11) de pe unitatea principală sau telecomandă pentru a selecta modul FM, frecvența radio FM apare pe afișaj.
3. Pentru a acorda manual o anumită stație radio, atingeți în mod repetat Track Down, Track up (A10, A11, B8, B18) de pe unitatea principală sau telecomandă. Utilizați metoda de reglare manuală pentru a regla stațiile mai slabe care sunt ocolite în timpul reglării automate.
4. Pentru a acorda automat următoarea stație radio disponibilă, apăsați și mențineți apăsat butonul Track Down (A10, A11, B8, B18) pe unitatea principală sau telecomandă timp de 1-2 secunde până când citirea frecvenței pe ecran începe să scaneze și apoi eliberați butonul. Sintonizatorul va opri scanarea când va primi următoarea stație de emisie cu o putere de semnal adecvată.
5. Apăsăți controlul de volum de pe unitatea principală sau telecomandă pentru a ajusta controlul de volum la nivelul de volum dorit.

Recepție stereo FM / FM

Când ascultați radioul FM, apăsați butonul ST./ MONO (B16) de pe telecomandă pentru a comuta între modul stereo și modul mono. Pictograma stereo FM „ST” va apărea pe afișaj dacă unitatea este în modul stereo. Este de preferat să primiți programul în mono atunci când primiți o stație slabă.

PERSOANE PENTRU MAI BUNE RECEPȚII

FM - Pentru cea mai bună recepție FM, antena cu fir de plumb FM situată în partea din spate a unității ar trebui să fie complet ambalat și extins.

NOTĂ: Reglarea automată depinde de puterea semnalului stației de emisie, astfel încât stațiile slabe pot fi ignorate. Puteți regla manual pentru a găsi stațiile slabe dacă o stație este omisă. Cu semnale puternice, tunerul se poate opri înainte de a atinge frecvența de difuzare reală, așa că este posibil să fie nevoie să reglați manual pentru a primi cea mai bună recepție.

PRESET STAȚII RADIO

1. Apăsăți butonul POWER / STANDBY (A1, B1) de pe unitatea principală sau telecomandă pentru a porni aparatul.
2. Apăsăți butonul SOURCE (A1, B11) de pe unitatea principală sau telecomandă pentru a selecta modul radio FM.
3. Apăsăți și mențineți apăsat butonul Track Down, Track up (A10, A11, B8, B18) de pe unitatea principală sau telecomandă până când citirea frecvenței de pe ecran începe să scaneze și apoi eliberați butonul pentru căutarea automată și canalele prestabilite de program. „PROG” apare pe afișaj și intermitent. Căutarea și programul automat se vor opri la P01 după finalizarea scanării, „PROG” se afișează pe afișaj constant.

Notă: Dacă canalele stocate în timpul căutării automate și a presetării programate nu sunt cele dorite, utilizați metoda de mai jos pentru salvarea manuală a presetărilor radio.

4. Reglați postul de radio dorit fie prin metoda de reglare „manual” sau „automat”.
5. Atingeți PROG . (B3) de pe telecomandă, următorul număr de memorie presetat disponibil și un PROG intermitent . Pictograma (B3) va apărea pe afișajul LCD. (Notă: „P01” se va afișa pe afișaj dacă programați pentru prima dată programarea)
6. Atingeți PRE. Butonul (B15, B19) al unității principale sau al telecomenzii pentru a selecta numărul prestabilit pentru care doriți să atribuiți stația.
7. Atingeți PROG . (B3) Buton pentru a confirma setarea.
8. Repetați pașii 4 - 8 de mai sus pentru a preseta până la 30 de posturi FM.

RELEGÂND CANALE DE MEMORIE PREZETATE

În modul radio, reamintiți canalele prestabilite apăsând PRE. Buton (B15, B19) de pe telecomandă în mod repetat.

FUNCȚIONAREA CD PLAYER

Notă:

1. Acest CD player nu va reda doar CD-uri comerciale, ci și discuri CD-R / RW, MP3. Nu încercați să redați CD-ROM, CDI, VCD , DVD sau CD-uri de computer.
2. MP3 este o formă de compresie. Este un acronim care înseamnă MPEG Audio Layer 3. MP3 este un tip de cod audio care este procesat prin compresie semnificativă din sursa audio originală, cu pierderi foarte mici în calitatea sunetului.
- Acest sistem acceptă fișiere MPEG 1 Layer 3 și VBR .
- În timpul redării fișierului VBR , contorul de timp pe ecran poate diferi de timpul de redare real.
- Bitrate-ul acceptat de MP3 este de 32 ~ 320 kbps

VĂ RUGĂM CITIȚI ACESTE INFORMAȚII IMPORTANTE:

Mecanismele CD utilizate pe dispozitive ca acesta sunt proiectate pentru a citi toate CD-urile comerciale. De asemenea, va citi discuri CD-R / CD-RW, MP3 autocompilate, dar poate începe până la 10 secunde să înceapă redarea reală. Dacă redarea nu începe, este probabil datorită calității CD-R / RW , a discului MP3 și / sau a compatibilității software-ului de compilare CD. Producătorul nu este responsabil pentru calitatea redării discurilor CD-R / RW , Mp3.

Nu atașați o etichetă sau sigiliu pe nici o parte a discului CD-R / RW, MP3. Poate provoca o defecțiune.

Redarea unui CD

1. Apăsăți butonul POWER / STANDBY (A1, B1) de pe unitatea principală sau telecomandă pentru a porni aparatul.
2. Apăsăți butonul SOURCE (A1, B11) de pe telecomandă sau unitatea principală pentru a selecta modul CD, apoi apăsați Deschide compartimentul discului.

3. Așezați un CD audio pe axul central, cu latura etichetei orientată spre exterior, spre DOOR CD. Închideți compartimentul discului.
4. Unitatea începe să citească discul, „----” apare pe afișaj și intermitent. După câteva secunde, numărul total de piese arată o secundă și apoi timpul total al CD-ului va fi afișat pe DISPLAY LCD.
5. Apăsați butonul PLAY / PAUSE (A9, B22) de pe unitatea principală sau telecomandă, indicatorul PLAY apare pe afișaj, CD-ul va începe să se redea de la prima piesă.
6. Apăsați controlul de volum Reglați volumul, pe unitatea principală sau telecomandă pentru a ajusta la volumul dorit.
7. Pentru a întrerupe redarea, apăsați butonul PLAY / PAUSE (A9, B22) de pe unitatea principală sau telecomandă. Timpul piesei va fi întrerupt și indicatorul PAUSE va apărea pe afișaj. Pentru a relua redarea, apăsați din nou butonul CD PLAY / PAUSE (A9, B22).
8. Puteți alege să redați piesa preferată direct apăsând pe Track Down, Track up (A10, A11, B8, B18). Ecranul LCD va indica numărul corect de piesă selectat.
9. Pentru a localiza o anumită secțiune într-o piesă, apăsați și țineți apăsat pe Track Down, Track up (A10, A11, B8, B18) până când se găsește secțiunea. Eliberați butonul pentru a continua să redați selecția.
10. Pentru a opri redarea, apăsați butonul STOP (A8, B25).

PROCEDURA PENTRU REPRODUCEREA DISCULUI Mp3

Pentru a reda CD-R / RW, Mp3

1. Apăsați butonul SOURCE (A1, B11) de pe telecomandă și încărcați un disc Mp3.
 2. Apăsați butonul FOLDER (B15, B19) pentru a selecta folderul de redare dorit.
 3. Selectați fișierul dorit pentru a fi redat apăsând butonul Track Down, Track up (A10, A11, B8, B18).
 4. Apăsați PLAY / PAUSE (A9, B22). Redarea va începe și numele fișierului va fi afișat.
- s În cazul redării cu modul folder activat, apăsați butonul FOLDER (B15, B19) și folderul poate fi selectat chiar dacă este în modul redare / pauză. Va continua modul de redare / pauză în prima pistă a folderului selectat.

PENTRU REPRODUCERE PLAYER USB / MP3 CU CARTEA

1. Apăsați butonul SOURCE (A1, B11) de pe telecomandă sau butonul SOURCE (A1, B11) în mod repetat pe unitatea principală pentru a selecta funcția USB. Conectați dispozitivul de memorie USB care are fișiere în format MP3 pe unitate. Când memoria USB este conectată la unitatea principală, informațiile dispozitivului vor fi afișate.
2. Apăsați butonul FOLDER (B15, B19) pentru a selecta folderul de redare dorit. Pentru a începe redarea cu modul folder activat, mergeți la pas.
3. Selectați fișierul dorit pentru a fi redat apăsând butonul Track Down, Track up (A10, A11, B8, B18).
4. Apăsați PLAY / PAUSE (A9, B22). Redarea va începe și va fi afișat numele fișierului.

NOTĂ:

- Acest produs nu este compatibil cu sistemele de fișiere MTP și AAC de la dispozitivul de stocare masivă USB sau MP3 player.
 - Această unitate acceptă FAT16 și FAT32, dar este posibil ca unele suporturi de stocare USB să nu suporte ambele sisteme de fișiere.
- Pentru detalii, consultați manualul de operare al dispozitivului de stocare USB în cauză sau contactați producătorul.

SĂRAȚI ȘI MOD DE CĂUTARE

1. În modul Redare sau Pauză, atingeți butonul Urmărire, Urmărire (A10, A11, B8, B18) pentru a merge la următoarea pistă sau pentru a reveni la începutul piesei curente.
2. În timpul redării, apăsați și țineți apăsat Track Down, Track up (A10, A11, B8, B18) pentru a căuta în pista curentă cu o redare audibilă de mare viteză.

MODE DE JOC DIFERENTE (NUMAI CONTROL DE LA TELECOM)

Apăsați butonul REPEAT (B6) de pe telecomandă în mod repetat pentru a selecta diferite moduri de redare atunci când CD este redat.

Când redați CD, modurile de redare sunt afișate ca mai jos:

Repeta
Repeta tot
Normal

REPEAT 1 - piesa este redată și se va repeta continuu. Repetați o pictogramă „REPEAT 1” apare pe afișaj.

REPEAT TOATE - toate piesele se vor repeta continuu. Repetați pictograma „REPEAT ALL” apare pe afișaj.

RANDOM PLAY

Când butonul RANDOM (B20) este apăsat pe trei, pe afișajul LCD se va aprinde indicatorul „RDM”. Piese de pe disc pot fi redare automat în ordine aleatorie.

Pentru a anula jocul la întâmplare:

Apăsați din nou butonul RANDOM (B20). „RDM indicatorul” va dispărea.

NOTĂ:

Dacă apăsați butonul în timpul redării la întâmplare, puteți trece la pista selectată alături de operația aleatorie. Pe de altă parte, butonul nu vă permite să treceți la piesa anterioară. Începutul piesei care va fi redată va fi localizat. În redare aleatorie, unitatea va selecta și redă automat piesele. (Nu puteți selecta ordinea pieselor.)

Introducere redată

1. Apăsați INTRO (B20) pe telecomandă. Indicatorul „INTRO (B20)” va apărea pe afișaj.

Unitatea va juca primele 10 secunde din fiecare piesă.

2. Apăsați din nou INTRO (B20) de pe telecomandă pentru a relua redarea normală.

JOACĂ PROGRAMAREA SECȚIUNII DE TRANSARE

Această funcție permite redarea pieselor într-o secvență programată. Utilizatorul poate programa până la 32 de piese în modul CD sau 99

NOTĂ: Programul poate fi setat doar în modul STOP.

1. Atingeți PROG . Butonul (B3) de pe telecomandă, numărul de program „1” este afișat pe afișaj, pictograma „ PROG ” și numărul piesei CD „ - ”, intermitent și pe ecranul LCD. (Notă: „1 -2” va fi pe afișaj dacă programați prima dată).
2. Folosiți Track Down, Track up (A10, A11, B8, B18) de pe unitatea principală sau telecomandă pentru a selecta pista dorită. Numărul piesei va fi afișat pe afișaj.
3. Atingeți PROG . Butonul (B3) al unității principale sau al telecomenzii pentru a stoca piesa selectată în memorie, următorul număr de program va avansa una (adică „2”) pe ecranul LCD.
4. Repetați pașii 2 până la 3 pentru a stoca mai multe piese în memorie. Puteți stoca până la CD 32 de piese, melodii MP3 99. Pe ecran va fi afișat „FUL” după ce piesele au fost programate.
5. Atingeți PLAY / PAUSE (A9, B22), pe unitatea principală sau telecomandă pentru a începe redarea CD-ului în secvența programată.
6. Apăsăți butonul REPEAT (B6) de pe telecomandă pentru a selecta Repeat 1 / All, dacă este necesar.
7. Pentru a opri redarea, apăsați butonul STOP (A8, B25) de pe unitatea principală sau telecomandă. Pentru a anula redarea programului, apăsați butonul STOP (A8, B25) de pe unitatea principală sau telecomandă de două ori, pictograma „ PROG ” dispăre de pe afișaj.

OPERATIA BLUETOOTH

Apăsăți butonul POWER / STANDBY (A1, B1) pentru a porni unitatea și urmați instrucțiunile de mai jos pentru a vă conecta prin Bluetooth. **INVATAREA** (conectarea) unui telefon mobil activat BLUETOOTH SAU ALTE DISPOZITIVE ACHIZITE BLUETOOTH la dispozitiv Dacă CR 1173 nu a fost niciodată asociat cu un dispozitiv Bluetooth înainte. Trebuie să urmați instrucțiunile de asociere de mai jos pentru a conecta dispozitivul cu dispozitivul Bluetooth.

1. Apăsăți butonul POWER / STANDBY (A1, B1) de pe unitatea principală sau telecomandă pentru a porni aparatul.
2. Apăsăți butonul SOURCE (A1, B11) de pe telecomanda principală sau de la distanță pentru a selecta modul Bluetooth, mesajul „ bt ” Bluetooth apare pe afișaj și intermitent.
3. Dacă CR 1173 nu a fost niciodată asociat cu un dispozitiv Bluetooth înainte sau nu poate găsi ultimul dispozitiv împerecheat, intermitentul „ bt ” intermitent pe LCD va indica faptul că XXX este în modul de căutare. Trebuie să urmați instrucțiunile de asociere de mai jos pentru a conecta dispozitivul cu dispozitivul Bluetooth.
- Activați funcția Bluetooth a dispozitivului Bluetooth și permiteți funcția de căutare sau de scanare pentru a găsi CR 1173.
- Selectați „CR 1173” din lista de dispozitive când apare pe ecranul dispozitivului. Dacă este necesar, introduceți codul de acces „0000” pentru a asocia (link) CR 1173 cu dispozitivul dumneavoastră.
4. După împerecherea cu succes (linking), afișajul se va schimba pentru a afișa „ bt ” constant, pictograma Bluetooth va fi afișată și pe afișaj. Puteți începe redarea muzicii de pe dispozitivul Bluetooth fără fir la difuzor.
5. După selectarea melodiei preferate, apăsați butonul PLAY PAUSE (B22, A9) de pe unitate sau telecomandă pentru a reda sau întrerupe melodia.
6. Apăsăți controlul de volum de pe unitatea principală sau telecomandă pentru a ajusta la nivelul dorit de volum.
7. Apăsăți butonul Track Down, Track up (B8, B9) de pe unitatea principală sau telecomandă pentru a trece la melodia anterioară sau următoare.
8. Dacă doriți să asociați dispozitivul cu un alt dispozitiv activat Bluetooth, apăsați și mențineți apăsat butonul PAIR (B10) timp de 3 secunde sau opriți funcția Bluetooth a dispozitivului în prezent asociat cu dispozitivul, apoi repetați pasul 3 de mai sus.

Note:

- 1.) Consultați manualul telefonului mobil, al tabletelor, al computerului sau al altor dispozitive compatibile cu Bluetooth pentru funcționarea Bluetooth, deoarece poate varia de la model la model.
- 2.) Dacă dispozitivul activat Bluetooth nu acceptă profilul A2DP, acesta nu va reda muzica prin difuzor, chiar dacă este asociat (conectat).
- 3.) Dacă asociați (conectați) computerul cu unitatea folosind Bluetooth, poate fi necesar să setați difuzorul ca dispozitiv de sunet implicit al computerului.

FUNCȚIONARE DE INTRARE AUXILIARĂ

Această unitate dispune de o mufă de intrare auxiliară a semnalului audio pentru conectarea dispozitivelor audio externe precum playerele MP3, dispozitivul audio digital și ascultarea acestora prin difuzoarele acestei unități.

1. Utilizați un cablu audio (nu este inclus) cu un conector stereo de 3,5 mm pe fiecare capăt al cablului.
2. Conectați un capăt la AUX IN JACK (A5) de pe unitatea principală și celălalt capăt al cablului în Jack-ul Line-Out sau Jackul pentru căști al dispozitivului audio extern.
3. Porniți unitatea și dispozitivul audio extern.
4. Apăsăți butonul SOURCE (A1, B11) de pe telecomanda principală sau de la distanță pentru a selecta modul AUX, pictograma „AUX” se activează, afișajul arată mesajul „AUX”.
5. Nivelul volumului poate fi acum controlat prin unitatea principală. Operați toate celelalte funcții pe dispozitivul auxiliar, de obicei.

Note:

· Dacă conectați acest aparat la mufa Line-Out a dispozitivului dvs. extern, trebuie doar să reglați controlul de volum al acestei unități. Dacă conectați Jackul pentru căști la dispozitivul dvs. extern, atunci trebuie să ajustați atât controalele de volum ale dispozitivului dvs. extern, cât și această unitate pentru a obține setarea de volum dorită.

PRESET EQ (NUMAI CONTROL DE LA TELECOM)

Această unitate oferă 4 moduri EQ diferite pentru a vă îmbunătăți experiența de ascultare. Puteți selecta efectul dorit apăsând butonul EQ (B5) de pe telecomandă în mod repetat, în următoarea secvență:

ROCK POP JAZZ CLASSIC OFF

BUTONUL MUTE (NUMAI CONTROL DE LA TELECOM)

- Apăsăți butonul MUTE (B21) de pe telecomandă pentru a opri temporar ieșirea sunetului din difuzor. Va apărea „V 00” pe afișaj.
- Apăsăți din nou butonul MUTE (B21) sau VOLUME CONTROL (B23, A12) pentru a relua redarea difuzorului normal.

OPERAȚIUNI SLEEP (NUMAI CONTROL DE LA TREBUIE)

Temporizatorul de repaus vă permite să opriți unitatea după ce a fost atins un timp specificat.

1. Pentru a activa cronometrul de repaus, porniți unitatea și atingeți butonul SOURCE (A1, B11) pentru a selecta radio FM, CD, USB, Bluetooth sau asculta muzică prin AUX IN.
2. Apăsăți butonul SLEEP (B14) de pe telecomandă, pe ecran apare pictograma de somn „SLEEP”.
3. Apăsăți în mod repetat butonul SLEEP (B14) pentru a selecta ora de somn. Unitatea se va opri după 10, 20, 30, 40, 50, 60, 70, 80 sau 90 de minute. Așteptați 3 secunde după selectarea dvs. pentru confirmarea selecției, unitatea va juca pe durata selectată, apoi se va opri automat.
4. Pentru a anula cronometrul, atingeți repetat butonul SLEEP (B14) până când cronometrul afișează „OFF”, pictograma timpului de repaus „SLEEP” dispare pe afișaj
5. Pentru a opri unitatea înainte de perioada selectată, apăsați butonul POWER / STANDBY (A1, B1) în orice moment.

Note:

- 1.) Pentru a verifica timpul de somn rămas, atingeți butonul SLEEP (B14) o dată.
- 2.) Dacă adormiți muzica de pe un dispozitiv extern conectat la intrarea AUX, cronometrul va opri alimentarea acestui sistem, dar nu va opri dispozitivul extern.

UTILIZAREA TELEFONELOR (FĂRĂ INCLUS)

Introducerea mufei căștilor în jackul pentru căști stereo (A17) vă va permite să ascultați CD-ul sau muzica radio în privat. Când utilizați căști, difuzoarele încorporate vor fi deconectate.

CITIȚI ACESTE INFORMAȚII IMPORTANTE ÎNAINTE DE A UTILIZA TELEFONULUI

1. Evitați jocul prelungit la un volum foarte mare, deoarece vă poate afecta auzul.
2. Dacă aveți sunete în urechi, reduceți volumul sau opriți-vă unitatea.
3. Mențineți volumul la un nivel rezonabil, chiar dacă setul cu cască este un tip în aer liber conceput pentru a vă permite să auziți sunete exterioare. Vă rugăm să rețineți că un volum excesiv de ridicat poate bloca sunetele exterioare.

Reinițializarea

Dacă sistemul nu răspunde sau are o funcționare necorespunzătoare, este posibil să fi experimentat o descărcare electrostatică (ESD) sau o suprasarcină care a declanșat computerul intern să se oprească automat. Dacă se întâmplă acest lucru, deconectați cablul de la sursa de alimentare, așteptați 60 de secunde, apoi conectați din nou cablul de alimentare la sursa de alimentare. Unitatea va fi resetată, trebuie să setați ceasul, alarma și canalele radio prestabilite.

ÎNGRIJIRE ȘI ÎNTREȚINERE

1. Nu supuneți aparatul la forță excesivă, șoc, praf sau temperatură extremă (peste 40 ° C).
2. Nu alterați componentele interne ale unității.
3. Curățați unitatea cu o cârpă uscată. Solvent sau detergent nu trebuie niciodată utilizat.
4. Evitați să lăsați unitatea în lumina directă a soarelui sau în locuri calde, umede sau prăfuite.
5. Țineți unitatea departe de aparatele de încălzire și de sursele de zgomot electric, cum ar fi lămpile fluorescente sau motoarele.
6. În cazul în care muzica derulantă sau întreruperile apar în timpul redării CD-ului sau dacă CD-ul nu reușește să se redea deloc, suprafața inferioară a acesteia poate necesita curățare. Înainte de a reda, ștergeți discul din centru spre exterior cu o cârpă bună de curățare moale.

CURĂȚAREA UNITĂȚII

- Pentru a preveni pericolul de incendiu sau de șoc, deconectați unitatea de la sursa de curent alternativ la curățare.
- Finisajul unității poate fi curățat cu o cârpă de praf și îngrijit ca și alt mobilier. Aveți grijă când curățați și ștergeți piesele din plastic.
- Dacă dulapul devine praf ștergeți-l cu o cârpă moale de praf uscat. Nu folosiți spray-uri de ceară sau polonez pe dulap.
- Dacă panoul frontal se murdărește sau se murdărește cu amprente, acesta poate fi curățat cu o cârpă moale umezită cu o soluție de apă și săpun ușoară. Nu folosiți niciodată cârpe abrazive sau lași, deoarece acestea vor deteriora finisajul unității voastre.

ATENȚIE: Nu lăsați niciodată apă sau alte lichide să intre în unitate în timp ce curățați

Date tehnice:

Cerinte de putere:

Unitate principală: 230V ~ 50Hz

Telecomandă: CR2025 3V

Secțiunea de player DISC

Sistem: Disc compact și sistem audio digital Proprietăți diode laser

Durata emisiilor: continuă

Ieșire laser: sub 44,6 mW (Această ieșire este măsurarea valorii la o distanță de 200mm de suprafața obiectivului obiectivului pe blocul optic Pick-up cu deschidere de 7 mm.)

Intervalul de frecvență

Secțiune tuner FM:

Domeniul de ajustare: 87,5 MHz-108,0 MHz (50 kHz pas.)

Putere difuzor: 2x 5W

Max: 28W

Dispozitivul este fabricat în clasa II de izolare..
Dispozitivul este în conformitate cu cerințele directivelor:
Dispozitiv electric de joasă tensiune (LVD)
Compatibilitate electromagnetă (EMC)

Prodotul marcat cu simbolul CE pe plăcuța de fabricație



Din grija pentru mediul înconjurător. Ambalajele din carton vă rugăm să le transmiteți și centrele de maculatură. Sacii din polietilenă (PE) trebuie aruncați în recipientele pentru materialele plastice. Dispozitivul uzat trebuie transmis la punctul corespunzător de depozitare, deoarece componentele periculoase care se găsesc în dispozitiv pot fi foarte periculoase pentru mediul înconjurător. Dispozitivul electric trebuie transmis în așa fel încât să se limiteze utilizarea lui repetată. Dacă în dispozitiv se găsesc baterii acestea trebuie scoase și transmise către punctul de depozitare a acestora, separat.

(BS) BOSANSKI

UVJETI ZA SIGURNOST VAŽNE UPUTE O SIGURNOSTI UPOTREBE MOLIMO VAS DA PROČITAJTE I ČUVAJTE ZA BUDUĆE REFERENCE

Uslovi garancije su različiti, ako se uređaj koristi u komercijalne svrhe.

1. Prije upotrebe proizvoda pažljivo pročitaite i uvijek se pridržavajte sljedećih uputa. Proizvođač nije odgovoran za bilo kakvu štetu nastalu zbog zloupotrebe.
2. Proizvod se koristi samo u zatvorenom prostoru. Nemojte koristiti proizvod za bilo koju svrhu koja nije kompatibilna s njegovom primjenom.
3. Primjenjivi napon je 230V, ~ 50Hz. Iz sigurnosnih razloga nije prikladno povezati više uređaja na jednu utičnicu.
4. Budite pažljivi kada koristite djecu. Nemojte dozvoliti djeci da se igraju s proizvodom. Nemojte dozvoliti djeci ili osobama koje ne poznaju uređaj da je koriste bez nadzora.
5. **UPOZORENJE:** Ovaj uređaj mogu koristiti djeca starija od 8 godina i osobe sa smanjenim fizičkim, osjetilnim ili mentalnim sposobnostima, ili osobe bez iskustva ili znanja o uređaju, samo pod nadzorom osobe odgovorne za njihovu sigurnost, ili ako su bili poučeni o sigurnom korištenju uređaja i koji su svjesni opasnosti povezanih s njegovim radom. Deca ne bi trebalo da se igraju sa uređajem. Čišćenje i održavanje uređaja ne smiju vršiti djeca, osim ako su starija od 8 godina i ove aktivnosti se provode pod nadzorom.
6. Nakon što završite sa korištenjem proizvoda, uvek zapamtite da pažljivo izvadite utikač iz utičnice koja drži utičnicu rukom. Nikada ne vucite kabl za napajanje !!!
7. Nikada ne stavljajte kabl za napajanje, utikač ili čitav uređaj u vodu. Nikada ne izlažite proizvod atmosferskim uslovima kao što su direktna sunčeva svetlost ili kiša itd. Nikada nemojte koristiti proizvod u vlažnim uslovima.
8. Periodično proverite stanje kabla za napajanje. Ako je kabl za napajanje oštećen, proizvod treba okrenuti na profesionalnu servisnu lokaciju koja će se zamijeniti kako bi se izbjegle opasne situacije.
9. Nikad ne koristite proizvod sa oštećenim kablom za napajanje ili ako je ispušten ili oštećen na neki drugi način ili ako ne radi ispravno. Ne pokušavajte sami popraviti oštećeni proizvod jer to može dovesti do električnog udara. Oštećeni uređaj uvek okrećite na profesionalnu servisnu lokaciju kako biste ga popravili. Sve popravke mogu obaviti samo ovlašteni serviseri. Neispravna popravka može prouzrokovati opasne situacije za korisnika.
10. Nikad ne stavljajte proizvod na vruće ili tople površine ili u kuhinjske aparate kao što je električna pećnica ili plinski plamenik.
11. Nikad ne koristite proizvod u blizini zapaljivih materija.
12. Ne dozvolite da kabl visi preko iverice brojača ili dodiruje vruće površine.
13. Nikad ne ostavljajte proizvod priključen na izvor napajanja bez nadzora. Čak i kada je upotreba prekinuta na kratko, isključite je iz mreže, isključite napajanje.
14. Da bi se obezbijedila dodatna zaštita, preporučuje se ugraditi uređaj za zadržavanje struje (RCD) u strujni krug, s preostalom strujnom snagom ne većom od 30 mA. Obratite se profesionalnom električaru u ovom slučaju.
15. Izbegavajte da mokri radio.
16. Radio se može obrisati samo suhom krpom. Nemojte koristiti vodu ili tekućine za čišćenje.

17. Radio treba čuvati u suvom prostoru.

DISPOZITIV:

1. POWER ON / OFF STANDBY INDICATOR 2.SOURCE 3. TIMP DE SET / BUTON DE MEMORIE
4. CANALUL TUNERULUI - 5.AUX ÎN 6.USB 7. CANALUL TUNER +
8. BUTONUL STOP CD / BLUETOOTH Perechea
9. BUTON DE CĂUTARE AUTO CD / BLUETOOTH / PAUSE / RADIO AUTO
10. SKIP CD / BLUETOOTH ANTERIOR / TUNE - BUTON
11. CUTIE CD / BLUETOOTH NEXT / TUNE + BUTON
12. DISPOZITIE DE CONTROL AL VOLUMULUI 13.LCD
14. BUTONUL CD DESCHIS / ÎNCHIS 15.CD DOOR 16.FM ANTENNA
17. CONECTOR DE VORBITURI DE CUTI 18. CONECTOR DE SPEAKER DREPT 19. CONECTOR DE VORBITOR
20. DC POWER ADAPTER 21. UȘA COMPARTAMENTULUI BATTERIE

TELECOMANDĂ:

1. BUTONUL CĂUTĂRII DIRECTOARE PORNIRE / APARARE STANDBY 2.DISC
3. PROG . BUTON 4. BUTON DESCĂRCAT CD / USB POSIBIL SAU TIMPUL DOWN, BUTONUL TUNER JOWN.
5. BUTONUL DE ECHALIZARE 6. BUTONUL DE REPETARE 7. BUTONUL DE BASS 8.X BUTONUL DE JOS
9. BUTON DE CĂUTARE AUTO CD / BLUETOOTH / PAUSE / RADIO AUTO
10. SKIP CD / BLUETOOTH ANTERIOR / TUNE - BUTON
11. CUTIE CD / BLUETOOTH NEXT / TUNE + BUTON
12. SET CLOCK 13.LCD DISPLAY 14.CD BUTON DESCHIS / ÎNCHIDERE POR
15. CD DOOR 16.FM ANTENNA 17. HEACKPHONE JACK
18. CONECTOR DE SPEAKER DREPT 19. CONECTOR DE SPEAKER
20. BUTON RANDOM ȘI BUTON INTRO. 21. UȘA COMPARTAMENTULUI
22. BUTONUL BT PLAY / PAUSE 23.VOLUM UP UN BUTTON DOWN
24. BUTON CD PLAY / PAUSE 25.CD BUTON STOP

CONEXIUNI SISTEMULUI

Asigurați-vă că pentru a deconecta cablul de alimentare ca este deconectat de la priza de perete înainte de a face conexiuni.

Conexiune de curent alternativ

Conectați cablul de alimentare la o priză de 230V ~ 50 Hz disponibilă. Asigurați-vă că dopul este introdus în siguranță în priza de curent alternativ.

Instalarea bateriilor pentru backup-ul. bateriei

1. Scoateți ușa compartimentului bateriei situată în partea de jos a unității principale.
2. Urmați marcajele de polaritate din interiorul compartimentului bateriei și introduceți 2 x baterii AAA (neincluse) în cele două sloturi situate în compartimentul bateriei.
3. Înlocuiți ușa bateriei.

NOTE:

- Când înlocuiți bateriile de rezervă, nu deconectați cablul de alimentare de la priza de perete. În acest caz, toate datele curente și setările de alarmă vor fi șterse.
- Dacă unitatea va fi lăsată neîncărcată pentru o perioadă lungă de timp, scoateți bateriile pentru a evita orice deteriorare care poate apărea în cazul în care bateriile se scurg și cauzează coroziune.

Telecomandă

Telecomanda funcționează pe o baterie de litiu 3V CR2025 (inclusă în telecomandă). Pentru a activa telecomanda, scoateți fila izolatoare introdusă în compartimentul bateriei.

Dacă funcționarea de la distanță devine intermitentă sau nesatisfăcătoare, înlocuiți bateria originală cu o nouă baterie de litiu CR2025 3V.

1. Apăsăți în jos pe capacul compartimentului, glisați suportul bateriei din carcasa telecomenzii.
2. Remontați bateria asigurându-vă că aceasta este instalată corect. Telecomanda nu va funcționa dacă bateria este instalată cu polaritate greșită.

PRUDENȚĂ:

- 1.) Pericol de explozie dacă bateria este înlocuită incorect.
- 2.) Înlocuiți numai bateria de același tip sau echivalent.
- 3.) Introduceți suportul bateriei înapoi în slotul bateriei.

ACTIVAREA / DEZACTIVAREA UNITĂȚII

1. În modul Oprit (de așteptare), atingeți butonul POWER / STANDBY (A1, B1) de pe unitatea principală sau telecomandă pentru a porni unitatea. Unitatea se va porni, pe ecranul LCD va apărea ultima pictogramă a modului de intrare selectat.
2. Pentru a opri unitatea (standby), atingeți din nou butonul PORNIRE POWER / STANDBY (A1, B1) de pe unitatea principală sau telecomandă. Ecranul LCD va deveni slab și va afișa ora curentă. Indicatorul modului de așteptare se aprinde.

SETAREA Ceasului

După conectarea la curent alternativ, va apărea „00:00” și va începe să clipească pe ecranul LCD.

1. În modul Oprire (Standby), apăsați și mențineți apăsat butonul CLOCK SET (B13) de pe telecomandă sau unitatea principală, formatul „24 HOUR” va apărea pe afișaj.
2. Atingeți butonul anterior / următorul (B4, B18) de pe telecomandă sau unitatea principală pentru a selecta formatul de 24 de ore, dacă este necesar. În caz contrar, apăsați butonul CLOCK SET (B12) pentru a confirma formatul de ceas 12 ore și a intra în modul de configurare a ceasului, cifrele Hour vor clipi.
3. Apăsați butonul anterior / următorul (B4, B18) de pe telecomandă sau unitatea principală pentru a regla ora. Apăsați și mențineți apăsat butonul pentru setare avans / invers rapid.
Notă: Asigurați-vă că ora este setată astfel încât indicatorul PM să fie afișat corect.

4. Apăsați butonul CLOCK SET (B12) de pe telecomandă pentru a confirma setarea orei, cifrele minute vor clipi pentru a solicita introducerea.
5. Atingeți butonul anterior / următorul (B4, B18) de pe telecomandă sau unitatea principală pentru a regla minutul. Apăsați și mențineți apăsat butonul pentru setare avans / invers rapid.
6. Apăsați din nou butonul CLOCK SET (B12) de pe telecomandă pentru a finaliza setarea.

NOTĂ: Presetările pentru ceas și posturi de radio vor trebui resetate dacă întreruperea alimentării sau în cazul unei întreruperi de curent. Va apărea „00:00” și va începe să clipească pe ecranul LCD pentru a vă anunța că energia a fost întreruptă și că ceasul va trebui resetat. Vă rugăm să urmați pașii 1-6 de mai sus pentru a reseta ceasul.

VERIFICAREA Ceasului

Unitatea va afișa ora curentă în modul de așteptare. Pentru a verifica ora curentă în modul de pornire, apăsați și mențineți apăsat butonul CLOCK SET (B12) de pe unitatea principală sau telecomandă timp de 3 secunde, ora curentă va apărea timp de 5 secunde și apoi revine la ecranul anterior.

FUNCTIONAREA ALARMEI (NUMAI CONTROL DE LA TELECOM)

SETAREA Ceasului de alarmă

- Această funcție permite sistemului să pornească automat și să vă trezească folosind o alarmă sonoră, CD-ul, USB-ul sau BU RADIO.
1. Apăsați și mențineți apăsat butonul TIMER (B13) de pe telecomandă până când pe afișaj apare „Pornit” și cifrele de oră clipeșc.
 2. Apăsați butoanele anterior / următor (B4, B18) pentru a regla cifrele de oră, apoi apăsați butonul TIMER pentru a confirma. Cifrele minute vor clipi pe afișaj.
 3. Apăsați butoanele anterior / următor (B4, B18) pentru a regla cifrele minute, apoi apăsați butonul TIMER (B13) pentru a confirma.
 4. Când este setat butonul anterior / următor (B4, B18) On Timer Clock, afișajul va afișa „OFF” și cifrele de oră vor clipi.
 5. Apăsați butoanele anterior / următor (B4, B18) pentru a regla cifrele de oră, apoi apăsați butonul TIMER (B13) pentru a confirma. Cifrele minute vor clipi pe afișaj.
 6. Apăsați butonul anterior / următorul (B4, B18) de pe telecomandă pentru a ajusta cifrele minute, apoi apăsați butonul TIMER pentru a confirma.
 7. Apăsați butoanele pentru a selecta modul CD, USB, BT sau FM, apoi apăsați butonul TIMER (B13) pentru a confirma. Pe afișaj va apărea „VOL #” și bliț.
 8. Apăsați butoanele anterior / următor (B4, B18) pentru a regla volumul, apoi apăsați butonul TIMER pentru a confirma.
 9. Apăsați butonul TIMER (B13) pentru a selecta „Timer Pornit”, iar Temporizatorul este acum stabil.
9. În modul de așteptare, pictograma Timer va apărea pe afișaj pentru a indica Timerul este pornit.

NOTĂ:

- 1.) Dacă „Wake to CD, USB” este selectat, dar un CD nu este introdus, alarma va fi implicat automat la Beeping Alarm atunci când se ajunge la ora de veghe a alarmei.
- 2.) Pentru „Wake to Radio”, sistemul va fi implicat la ultimul post de radio FM ascultat înainte de oprire.
- 3.) Alarma crescendo va crește la nivelul de volum setat.

FUNCȚIA DE ALARMĂ ACTIVĂ / DE-ACTIVE

1. Pentru a activa ALARM, atingeți o dată butonul TIMER (B13), iar pe ecranul LCD va apărea pictograma de alarmă.
2. Anulați funcția ALARM apăsând din nou pe butonul TIMER (B13). Pictograma de alarmă se va stinge.

Alarma la radio, CD, USB sau BUZZER

- Când timpul de alarmă este atins, semnalul sonor CD, USB sau radio va suna timp de 60 de minute, apoi se oprește și se resetează pentru ziua următoare (fără a apăsa butonul de amânare).
- Pentru a opri alarma imediat după ce sună, atingeți butonul POWER / STANDBY (A1, B1) de pe telecomandă sau de pe unitatea principală o singură dată. Se resetează pentru ziua următoare.

- Pentru a anula alarma de a doua zi, atingeți butonul TIMER (B13) o dată, pictograma ALARM se stinge.

FUNCȚIONARE RADIO

1. Apăsați butonul POWER / STANDBY (A1, B1) de pe unitatea principală sau telecomandă pentru a porni aparatul.
2. Apăsați butonul SOURCE (A1, B11) de pe unitatea principală sau telecomandă pentru a selecta modul FM, frecvența radio FM apare pe afișaj.
3. Pentru a acorda manual o anumită stație radio, atingeți în mod repetat Track Down, Track up (A10, A11, B8, B18) de pe unitatea principală sau telecomandă. Utilizați metoda de reglare manuală pentru a regla stațiile mai slabe care sunt ocolite în timpul reglării automate.
4. Pentru a acorda automat următoarea stație radio disponibilă, apăsați și mențineți apăsat butonul Track Down (A10, A11, B8, B18) pe unitatea principală sau telecomandă timp de 1-2 secunde până când citirea frecvenței pe ecran începe să scaneze și apoi eliberați butonul. Sintonizatorul va opri scanarea când va primi următoarea stație de emisie cu o putere de semnal adecvată.
5. Apăsați controlul de volum de pe unitatea principală sau telecomandă pentru a ajusta controlul de volum la nivelul de volum dorit.

Recepție stereo FM / FM

Când ascultați radioul FM, apăsați butonul ST./ MONO (B16) de pe telecomandă pentru a comuta între modul stereo și modul mono.

Pictograma stereo FM „ST” va apărea pe afișaj dacă unitatea este în modul stereo. Este de preferat să primiți programul în mono atunci când primiți o stație slabă.

PERSOANE PENTRU MAI BUNE RECEPȚII

FM - Pentru cea mai bună recepție FM, antena cu fir de plumb FM situată în partea din spate a unității ar trebui să fie complet ambalat și extins.

NOTĂ: Reglarea automată depinde de puterea semnalului stației de emisie, astfel încât stațiile slabe pot fi ignorate. Puteți regla manual pentru a găsi stațiile slabe dacă o stație este omisă. Cu semnale puternice, tunerul se poate opri înainte de a atinge frecvența de difuzare reală, așa că este posibil să fie nevoie să reglați manual pentru a primi cea mai bună recepție.

PRESET STAȚII RADIO

1. Apăsăți butonul POWER / STANDBY (A1, B1) de pe unitatea principală sau telecomandă pentru a porni aparatul.
2. Apăsăți butonul SOURCE (A1, B11) de pe unitatea principală sau telecomandă pentru a selecta modul radio FM.
3. Apăsăți și mențineți apăsat butonul Track Down, Track up (A10, A11, B8, B18) de pe unitatea principală sau telecomandă până când citirea frecvenței de pe ecran începe să scaneze și apoi eliberați butonul pentru căutarea automată și canalele prestabilite de program. „ PROG ” apare pe afișaj și intermitent. Căutarea și programul automat se vor opri la P01 după finalizarea scanării, „ PROG ” se afișează pe afișaj constant.

Notă: Dacă canalele stocate în timpul căutării automate și a presetării programate nu sunt cele dorite, utilizați metoda de mai jos pentru salvarea manuală a presetărilor radio.

4. Reglați postul de radio dorit fie prin metoda de reglare „manual” sau „automat”.
5. Atingeți PROG . (B3) de pe telecomandă, următorul număr de memorie presetat disponibil și un PROG intermitent . Pictograma (B3) va apărea pe afișajul LCD. (Notă: „P01” se va afișa pe afișaj dacă programați pentru prima dată programarea)
6. Atingeți PRE. Butonul (B15, B19) al unității principale sau al telecomenzii pentru a selecta numărul prestabilit pentru care doriți să atribuiți stația.
7. Atingeți PROG . (B3) Buton pentru a confirma setarea.
8. Repetați pașii 4 - 8 de mai sus pentru a preseta până la 30 de posturi FM.

RELEGÂND CANALE DE MEMORIE PREZETATE

În modul radio, reamintiți canalele prestabilite apăsând PRE. Buton (B15, B19) de pe telecomandă în mod repetat.

FUNȚIONAREA CD PLAYER

Notă:

1. Acest CD player nu va reda doar CD-uri comerciale, ci și discuri CD-R / RW, MP3. Nu încercați să redați CD-ROM, CDI, VCD , DVD sau CD-uri de computer.
2. MP3 este o formă de compresie. Este un acronim care înseamnă MPEG Audio Layer 3. MP3 este un tip de cod audio care este procesat prin compresie semnificativă din sursa audio originală, cu pierderi foarte mici în calitatea sunetului.
 - Acest sistem acceptă fișiere MPEG 1 Layer 3 și VBR .
 - În timpul redării fișierului VBR , contorul de timp pe ecran poate diferi de timpul de redare real.
 - Bitrate-ul acceptat de MP3 este de 32 ~ 320 kbps

VĂ RUGĂM CITIȚI ACESTE INFORMAȚII IMPORTANTE:

Mecanismele CD utilizate pe dispozitive ca acesta sunt proiectate pentru a citi toate CD-urile comerciale. De asemenea, va citi discuri CD-R / CD-RW, MP3 autocompilat, dar poate începe până la 10 secunde să înceapă redarea reală. Dacă redarea nu începe, este probabil datorită calității CD-R / RW , a discului MP3 și / sau a compatibilității software-ului de compilare CD. Producătorul nu este responsabil pentru calitatea redării discurilor CD-R / RW , Mp3.

Nu atașați o etichetă sau sigiliu pe nici o parte a discului CD-R / RW, MP3. Poate provoca o defecțiune.

Redarea unui CD

1. Apăsăți butonul POWER / STANDBY (A1, B1) de pe unitatea principală sau telecomandă pentru a porni aparatul.
2. Apăsăți butonul SOURCE (A1, B11) de pe telecomandă sau unitatea principală pentru a selecta modul CD, apoi apăsați Deschide compartimentul discului.
3. Așezați un CD audio pe axul central, cu latura etichetei orientată spre exterior, spre DOOR CD. Închideți compartimentul discului.
4. Unitatea începe să citească discul, „--” apare pe afișaj și intermitent. După câteva secunde, numărul total de piese arată o secundă și apoi timpul total al CD-ului va fi afișat pe DISPLAY LCD
5. Apăsăți butonul PLAY / PAUSE (A9, B22) de pe unitatea principală sau telecomandă, indicatorul PLAY apare pe afișaj, CD-ul va începe să se redea de la prima piesă.
6. Apăsăți controlul de volum Reglați volumul, pe unitatea principală sau telecomandă pentru a ajusta la volumul dorit.
7. Pentru a întrerupe redarea, apăsați butonul PLAY / PAUSE (A9, B22) de pe unitatea principală sau telecomandă. Timpul piesei va fi întrerupt și indicatorul PAUSE va apărea pe afișaj. Pentru a relua redarea, apăsați din nou butonul CD PLAY / PAUSE (A9, B22).
8. Puteți alege să redați piesa preferată direct apăsând pe Track Down, Track up (A10, A11, B8, B18). Ecranul LCD va indica numărul corect de piesă selectat.
9. Pentru a localiza o anumită secțiune într-o piesă, apăsați și țineți apăsat pe Track Down, Track up (A10, A11, B8, B18) până când se găsește secțiunea. Eliberați butonul pentru a continua să redați selecția.
10. Pentru a opri redarea, apăsați butonul STOP (A8, B25).

PROCEDURA PENTRU REPRODUCEREA DISCULUI Mp3

Pentru a reda CD-R / RW_Mp3

1. Apăsăți butonul SOURCE (A1, B11) de pe telecomandă și încărcați un disc Mp3.
 2. Apăsăți butonul FOLDER (B15, B19) pentru a selecta folderul de redare dorit.
 3. Selectați fișierul dorit pentru a fi redat apăsând butonul Track Down, Track up (A10, A11, B8, B18).
 4. Apăsăți PLAY / PAUSE (A9, B22). Redarea va începe și numele fișierului va fi afișat.
- s în cazul redării cu modul folder activat, apăsați butonul FOLDER (B15, B19) și folderul poate fi selectat chiar dacă este în modul redare / pauză. Va continua modul de redare / pauză în prima pistă a folderului selectat.

PENTRU REPRODUCERE PLAYER USB / MP3 CU CARTEA

1. Apăsăți butonul SOURCE (A1, B11) de pe telecomandă sau butonul SOURCE (A1, B11) în mod repetat pe unitatea principală pentru a selecta funcția USB. Conectați dispozitivul de memorie USB care are fișiere în format MP3 pe unitate. Când memoria USB este conectată la unitatea principală, informațiile dispozitivului vor fi afișate.
2. Apăsăți butonul FOLDER (B15, B19) pentru a selecta folderul de redare dorit. Pentru a începe redarea cu modul folder activat, mergeți la pas.
3. Selectați fișierul dorit pentru a fi redat apăsând butonul Track Down, Track up (A10, A11, B8, B18).
4. Apăsăți PLAY / PAUSE (A9, B22). Redarea va începe și va fi afișat numele fișierului.

NOTĂ:

- Acest produs nu este compatibil cu sistemele de fișiere MTP și AAC de la dispozitivul de stocare masivă USB sau MP3 player.
 - Această unitate acceptă FAT16 și FAT32, dar este posibil ca unele suporturi de stocare USB să nu suporte ambele sisteme de fișiere.
- Pentru detalii, consultați manualul de operare al dispozitivului de stocare USB în cauză sau contactați producătorul.

SĂRAȚI ȘI MOD DE CĂUTARE

1. În modul Redare sau Pauză, atingeți butonul Urmărire, Urmărire (A10, A11, B8, B18) pentru a merge la următoarea pistă sau pentru a reveni la începutul piesei curente.
2. În timpul redării, apăsați și țineți apăsat Track Down, Track up (A10, A11, B8, B18) pentru a căuta în pista curentă cu o redare audibilă de mare viteză.

MODE DE JOC DIFERENTE (NUMAI CONTROL DE LA TELECOM)

Apăsăți butonul REPEAT (B6) de pe telecomandă în mod repetat pentru a selecta diferite moduri de redare atunci când CD este redat.

Când redați CD, modurile de redare sunt afișate ca mai jos:

Repeta
Repeta tot
Normal

REPEAT 1 - piesa este redată și se va repeta continuu. Repetați o pictogramă „REPEAT 1” apare pe afișaj.

REPEAT TOATE - toate piesele se vor repeta continuu. Repetați pictograma „REPEAT ALL” apare pe afișaj.

RANDOM PLAY

Când butonul RANDOM (B20) este apăsat pe trei, pe afișajul LCD se va aprinde indicatorul „RDM”. Piesele de pe disc pot fi redare automat în ordine aleatorie.

Pentru a anula jocul la întâmplare:

Apăsăți din nou butonul RANDOM (B20), „RDM indicatorul” va dispărea.

NOTĂ:

Dacă apăsați butonul în timpul redării la întâmplare, puteți trece la pista selectată alături de operația aleatorie. Pe de altă parte, butonul nu vă permite să treceți la piesa anterioară. Începutul piesei care va fi redată va fi localizat.

În redare aleatorie, unitatea va selecta și reda automat piesele. (Nu puteți selecta ordinea pieselor.)

Introducere redată

1. Apăsăți INTRO (B20) de pe telecomandă. Indicatorul „INTRO (B20)” va apărea pe afișaj.

Unitatea va juca primele 10 secunde din fiecare piesă.

2. Apăsăți din nou INTRO (B20) de pe telecomandă pentru a relua redarea normală.

JOACĂ PROGRAMAREA SECȚIUNII DE TRANȘARE

Această funcție permite redarea pieselor într-o secvență programată. Utilizatorul poate programa până la 32 de piese în modul CD sau 99 de piese în MP3 în orice

NOTĂ: Programul poate fi setat doar în modul STOP.

1. Atingeți PROG . Butonul (B3) de pe telecomandă, numărul de program „1” este afișat pe afișaj, pictograma „ PROG ” și numărul piesei CD „-”, intermitent și pe ecranul LCD. (Notă: „1 -” va fi pe afișaj dacă programați prima dată).
 2. Folosiți Track Down, Track up (A10, A11, B8, B18) de pe unitatea principală sau telecomandă pentru a selecta pista dorită. Numărul piesei va fi afișat pe afișaj
 3. Atingeți PROG . Butonul (B3) al unității principale sau al telecomenzii pentru a stoca piesa selectată în memorie, următorul număr de program va avansa una (adică „2”) pe ecranul LCD.
 4. Repetați pașii 2 până la 3 pentru a stoca mai multe piese în memorie. Puteți stoca până la CD 32 de piese, melodii MP3 99. Pe ecran va fi afișat „FUL ” după ce piesele au fost programate.
 5. Atingeți PLAY / PAUSE (A9, B22). pe unitatea principală sau telecomandă pentru a începe redarea CD-ului în secvența programată.
 6. Apăsăți butonul REPEAT (B6) de pe telecomandă pentru a selecta Repeat 1 / All, dacă este necesar.
 7. Pentru a opri redarea, apăsați butonul STOP (A8, B25) de pe unitatea principală sau telecomandă.
- Pentru a anula redarea programului, apăsați butonul STOP (A8, B25) de pe unitatea principală sau telecomandă de două ori, pictograma „ PROG ” dispăre de pe afișaj.

OPERATIA BLUETOOTH

Apăsați butonul POWER / STANDBY (A1, B1) pentru a porni unitatea și urmați instrucțiunile de mai jos pentru a vă conecta prin Bluetooth. **INVĂTAREA (conectarea) unui telefon mobil activat BLUETOOTH SAU ALTE DISPOZITIVE ACHIZITE BLUETOOTH la dispozitiv**
Dacă CR 1173 nu a fost niciodată asociat cu un dispozitiv Bluetooth înainte. Trebuie să urmați instrucțiunile de asociere de mai jos pentru a conecta dispozitivul cu dispozitivul Bluetooth.

1. Apăsați butonul POWER / STANDBY (A1, B1) de pe unitatea principală sau telecomandă pentru a porni aparatul.
2. Apăsați butonul SOURCE (A1, B11) de pe telecomanda principală sau de la distanță pentru a selecta modul Bluetooth, mesajul „bt” Bluetooth apare pe afișaj și intermitent.
3. Dacă CR 1173 nu a fost niciodată asociat cu un dispozitiv Bluetooth înainte sau nu poate găsi ultimul dispozitiv împerecheat, intermitentul „bt” intermitent pe LCD va indica faptul că XXX este în modul de căutare. Trebuie să urmați instrucțiunile de asociere de mai jos pentru a conecta dispozitivul cu dispozitivul Bluetooth.
- Activați funcția Bluetooth a dispozitivului Bluetooth și permiteți funcția de căutare sau de scanare pentru a găsi CR 1173.
- Selectați „CR 1173” din lista de dispozitive când apare pe ecranul dispozitivului. Dacă este necesar, introduceți codul de acces „0000” pentru a asocia (link) CR 1173 cu dispozitivul dumneavoastră.
4. După împerecherea cu succes (linking), afișajul se va schimba pentru a afișa „bt” constant, pictograma Bluetooth va fi afișată și pe afișaj. Puteți începe redarea muzicii de pe dispozitivul Bluetooth fără fir la difuzor.
5. După selectarea melodiei preferate, apăsați butonul PLAY PAUSE (B22, A9) de pe unitate sau telecomandă pentru a reda sau întrerupe melodia.
6. Apăsați controlul de volum de pe unitatea principală sau telecomandă pentru a ajusta la nivelul dorit de volum.
7. Apăsați butonul Track Down, Track up (B8, B9) de pe unitatea principală sau telecomandă pentru a trece la melodia anterioară sau următoare.
8. Dacă doriți să asociați dispozitivul cu un alt dispozitiv activat Bluetooth, apăsați și mențineți apăsat butonul PAIR (B10) timp de 3 secunde sau opriți funcția Bluetooth a dispozitivului în prezent asociat cu dispozitivul, apoi repetați pasul 3 de mai sus.

Notă:

- 1.) Consultați manualul telefonului mobil, al tabletelor, al computerului sau al altor dispozitive compatibile cu Bluetooth pentru funcționarea Bluetooth, deoarece poate varia de la model la model.
- 2.) Dacă dispozitivul activat Bluetooth nu acceptă profilul A2DP, acesta nu va reda muzica prin difuzor, chiar dacă este asociat (conectat).
- 3.) Dacă asociați (conectați) computerul cu unitatea folosind Bluetooth, poate fi necesar să setați difuzorul ca dispozitiv de sunet implicit al computerului.

FUNCȚIONARE DE INTRARE AUXILIARĂ

Această unitate dispune de o mufă de intrare auxiliară a semnalului audio pentru conectarea dispozitivelor audio externe precum playerele MP3, dispozitivul audio digital și ascultarea acestora prin difuzoarele acestei unități.

1. Utilizați un cablu audio (nu este inclus) cu un conector stereo de 3,5 mm pe fiecare capăt al cablului.
2. Conectați un capăt la AUX IN JACK (A5) de pe unitatea principală și celălalt capăt al cablului în Jack-ul Line-Out sau Jackul pentru căști al dispozitivului audio extern.
3. Porniți unitatea și dispozitivul audio extern.
4. Apăsați butonul SOURCE (A1, B11) de pe telecomanda principală sau de la distanță pentru a selecta modul AUX, pictograma „AUX” se activează, afișajul arată mesajul „AUX”.
5. Nivelul volumului poate fi acum controlat prin unitatea principală. Operați toate celelalte funcții pe dispozitivul auxiliar, de obicei.

Notă:

· Dacă conectați acest aparat la mufa Line-Out a dispozitivului dvs. extern, trebuie doar să reglați controlul de volum al acestei unități. Dacă conectați Jackul pentru căști la dispozitivul dvs. extern, atunci trebuie să ajustați atât controalele de volum ale dispozitivului dvs. extern, cât și această unitate pentru a obține setarea de volum dorită.

PRESET EQ (NUMAI CONTROL DE LA TELECOM)

Această unitate oferă 4 moduri EQ diferite pentru a vă îmbunătăți experiența de ascultare. Puteți selecta efectul dorit apăsând butonul EQ (B5) de pe telecomandă în mod repetat, în următoarea secvență:

ROCK POP JAZZ CLASSIC OFF

BUTONUL MUTE (NUMAI CONTROL DE LA TELECON)

- Apăsați butonul MUTE (B21) de pe telecomandă pentru a opri temporar ieșirea sunetului din difuzor. Va apărea „V 00” pe afișaj.
- Apăsați din nou butonul MUTE (B21) sau VOLUME CONTROL (B23, A12) pentru a relua redarea difuzorului normal.

OPERATIUNI SLEEP (NUMAI CONTROL DE LA TREBUIE)

Temporizatorul de repaus vă permite să opriți unitatea după ce a fost atins un timp specificat.

1. Pentru a activa cronometrul de repaus, porniți unitatea și atingeți butonul SOURCE (A1, B11) pentru a selecta radio FM, CD, USB, Bluetooth sau asculta muzică prin AUX IN.
2. Apăsați butonul SLEEP (B14) de pe telecomandă, pe ecran apare pictograma de somn „SLEEP”.
3. Apăsați în mod repetat butonul SLEEP (B14) pentru a selecta ora de somn. Unitatea se va opri după 10, 20, 30, 40, 50, 60, 70, 80 sau 90 de minute. Așteptați 3 secunde după selectarea dvs. pentru confirmarea selecției, unitatea va juca pe durata selectată, apoi se va opri automat.
4. Pentru a anula cronometrul, atingeți repetat butonul SLEEP (B14) până când cronometrul afișează „OFF”, pictograma timpului de repaus „SLEEP” dispare pe afișaj
5. Pentru a opri unitatea înainte de perioada selectată, apăsați butonul POWER / STANDBY (A1, B1) în orice moment

Note:

- 1.) Pentru a verifica timpul de somn rămas, atingeți butonul SLEEP (B14) o dată.
- 2.) Dacă adormiți muzica de pe un dispozitiv extern conectat la intrarea AUX, cronometrul va opri alimentarea acestui sistem, dar nu va opri dispozitivul extern.

UTILIZAREA TELEFONELOR (FĂRĂ INCLUS)

Introducerea mufei căștilor în jackul pentru căști stereo (A17) vă va permite să ascultați CD-ul sau muzica radio în privat. Când utilizați căști, difuzoarele încorporate vor fi deconectate.

CITIȚI ACESTE INFORMAȚII IMPORTANTE ÎNAINTE DE A UTILIZA TELEFONULUI

1. Evitați jocul prelungit la un volum foarte mare, deoarece vă poate afecta auzul.
2. Dacă aveți sunete în urechi, reduceți volumul sau opriți-vă unitatea.
3. Mențineți volumul la un nivel rezonabil, chiar dacă setul cu cască este un tip în aer liber conceput pentru a vă permite să auziți sunete exterioare. Vă rugăm să rețineți că un volum excesiv de ridicat poate bloca sunetele exterioare.

Reinițializarea

Dacă sistemul nu răspunde sau are o funcționare necorespunzătoare, este posibil să fi experimentat o descărcare electrostatică (ESD) sau o suprasarcină care a declanșat computerul intern să se oprească automat. Dacă se întâmplă acest lucru, deconectați cablul de la sursa de alimentare, așteptați 60 de secunde, apoi conectați din nou cablul de alimentare la sursa de alimentare. Unitatea va fi resetată, trebuie să setați ceasul, alarma și canalele radio prestabilite.

ÎNGRIJIRE ȘI ÎNTREȚINERE

1. Nu supuneți aparatul la forță excesivă, șoc, praf sau temperatură extremă (peste 40 ° C).
2. Nu alterați componentele interne ale unității.
3. Curățați unitatea cu o cârpă uscată. Solvent sau detergent nu trebuie niciodată utilizat.
4. Evitați să lăsați unitatea în lumina directă a soarelui sau în locuri calde, umede sau prăfuite.
5. Țineți unitatea departe de aparatele de încălzire și de sursele de zgomot electric, cum ar fi lămpile fluorescente sau motoarele.
6. În cazul în care muzica derulantă sau întreruperile apar în timpul redării CD-ului sau dacă CD-ul nu reușește să se redea deloc, suprafața inferioară a acesteia poate necesita curățare. Înainte de a reda, ștergeți discul din centru spre exterior cu o cârpă bună de curățare moale.

CURĂȚAREA UNITĂȚII

- Pentru a preveni pericolul de incendiu sau de șoc, deconectați unitatea de la sursa de curent alternativ la curățare.
- Finisajul unității poate fi curățat cu o cârpă de praf și îngrijit ca și alt mobilier. Aveți grijă când curățați și ștergeți piesele din plastic.
- Dacă dulapul devine praf ștergeți-l cu o cârpă moale de praf uscat. Nu folosiți spray-uri de ceară sau polonez pe dulap.
- Dacă panoul frontal se murdărește sau se murdărește cu amprente, acesta poate fi curățat cu o cârpă moale umezită cu o soluție de apă și săpun ușoară. Nu folosiți niciodată cârpe abrazive sau lași, deoarece acestea vor deteriora finisajul unității voastre.

ATENȚIE: Nu lăsați niciodată apă sau alte lichide să intre în unitate în timp ce curățați

Date tehnice:

Cerinte de putere:

Unitate principală: 230V ~ 50Hz

Telecomandă: CR2025 3V

Secțiunea de player DISC

Sistem: Disc compact și sistem audio digital Proprietăți diode laser

Durata emisiilor: continuă

Ieșire laser: sub 44,6 mW (Această ieșire este măsurarea valorii la o distanță de 200mm de suprafața obiectivului obiectivului pe blocul optic Pick-up cu deschidere de 7 mm.)

Intervalul de frecvență

Secțiune tuner FM:

Domeniu de ajustare: 87,5 MHz-108,0 MHz (50 kHz pas.)

Putere difuzor: 2x 5W

Max: 28W



Brunici za okoliš. Molimo Vas da kartonska pakovanja odnesete u otkup otpadnog papira. Polietilenske džakove (PE) bacajte u kontejner za plastiku. Iskorišćen uređaj treba odneti na odgovarajuću deponiju, jer opasni sastojci koji se u njemu nalaze, mogu biti opasni za okoliš. Električni uređaj treba odneti na način, koji ograničava njegovu ponovnu upotrebu i korištenje. Ako se u uređaju nalaze baterije, treba ih izvaditi i odvojeno predati na deponiju. **Uređaj se ne smije bacati u kontejner za komunalni otpad!!**

BIZTONSÁGI FELTÉTELEK FONTOS UTASÍTÁSOK A FELHASZNÁLÁS BIZTONSÁGÁRA VONATKOZÓ KÉSZÜLEKEK KÉRJÜK, ELLENŐRIZNI, ÉS A KÖVETKEZŐ VÉDELEM

A garanciális feltételek eltérőek, ha a készüléket kereskedelmi célra használják.

1. A termék használata előtt olvassa el figyelmesen és mindig tartsa be az alábbi utasításokat. A gyártó nem vállal felelősséget a visszaélés miatti károkért.
2. A termék csak beltérben használható. Ne használja a terméket olyan célra, amely nem kompatibilis az alkalmazással.
3. Az alkalmazandó feszültség 230V, ~ 50Hz. Biztonsági okokból nem helyénvaló több eszközt csatlakoztatni egy hálózati aljzathoz.
4. Kérjük, legyen óvatos a gyermekek körében. Ne hagyja, hogy a gyerekek játszhassanak a termékkel. Ne hagyja, hogy gyermekek vagy azok, akik nem ismerik a készüléket, felügyelet nélkül használhatják.
5. FIGYELMEZTETÉS: Ezt a készüléket 8 évesnél idősebb gyermekek és csökkent fizikai, érzékszervi vagy mentális képességű személyek, vagy az eszköz nélküli tapasztalattal vagy ismeretekkel rendelkező személyek használhatják, csak a biztonságáért felelős személy felügyelete alatt, vagy ha utasítást kaptak a készülék biztonságos használatáról, és tisztában vannak a működésével kapcsolatos veszélyekkel. A gyerekek nem játszhatnak a készülékkel. A készülék tisztítását és karbantartását nem szabad végezni gyermekek, kivéve, ha 8 évesnél idősebbek, és ezek a tevékenységek felügyelet mellett zajlanak.
6. Miután befejezte a termék használatát, ne feledje, hogy óvatosan távolítsa el a dugót a konnektorból, amely a kézibeszélőt tartja. Soha ne húzza a tápkábelt!
7. Nem helyezze a tápkábelt, a dugót vagy az egész eszközt a vízbe. Soha ne tegye ki a terméket légköri körülményeknek, például közvetlen napfénynek vagy esőnek, stb. Soha ne használja a terméket nedves körülmények között.
8. Időnként ellenőrizze a tápkábel állapotát. Ha a tápkábel megsérül, a készüléket a professzionális szerviz helyére kell cserélni, hogy elkerülje a veszélyes helyzeteket.
9. Nem használja a terméket sérült tápkábelrel, vagy ha más módon megrongálódott vagy megsérült, vagy ha nem működik megfelelően. Ne próbálja meg a hibás terméket saját maga javítani, mert áramütést okozhat. A sérült eszközt mindig szakszerű szervizhelyre kell fordítani a javítás érdekében. A javításokat csak szakemberek végezhetik. A helytelenül végzett javítás veszélyes helyzeteket okozhat a felhasználó számára.
10. Nem helyezze a terméket meleg vagy meleg felületekre vagy olyan konyhai eszközökre, mint az elektromos sütő vagy gázégő.
11. Nem használja a terméket éghető anyagok közelében.
12. Ne hagyja, hogy a kábel lógjon a számláló szélén vagy érintse meg a forró felületet.
13. Nem hagyja a terméket felügyelet nélkül csatlakoztatva az áramforráshoz. Még akkor is, ha a használat rövid ideig megszakad, kapcsolja ki a hálózatról, húzza ki a tápkábelt.
14. A kiegészítő védelem biztosítása érdekében ajánlott a maradékáram-berendezést (RCD) telepíteni az áramkörbe, a maradékáram nem haladhatja meg a 30 mA-t. Ebben a kérdésben forduljon szakemberhez.
15. Kerülje el, hogy a rádió nedves legyen.
16. A rádiót csak száraz ruhával törölje le. Ne használjon vizet vagy tisztítófolyadékot.
17. A rádiót száraz helyiségben kell tartani.

ESZKÖZ:

1. BE- / KIKAPCSOLÓ KÉSZÜLÉK INDIKÁTOR
2. SZAKASZ 3. IDŐ BEÁLL.
4. TUNER CHANNEL - 5.AUX IN 6.USB 7.TUNER CHANNEL +
8. CD STOP GOMB / BLUETOOTH PAIR GOMB
9. CD / BLUETOOTH LEJÁTSZÁS / SZUNET / RADIO AUTO KERESÉS GOMB
10. CD / BLUETOOTH SKIP ELŐZŐ / HANGZAT - GOMB
11. CD / BLUETOOTH SKIP NEXT / TUNE + GOMB
12. VOLUME CONTROL GOMB 13.LCD KIJELEZŐ

14. CD-Ajtó nyitva / bezárva gomb
15. CD-ajtó
16. FM ANTENNA
17. fejhallgató csatlakozó
18. jobb oldali hangszóró csatlakozó
19. bal oldali hangszóró csatlakozó
20. DC TÁPELLÁTÓ
21. AKKUMULÁTOROK RESZAJTÓ

TÁVIRÁNYÍTÓ:

1. BE- / KIKAPCSOLÓ KÉSZÜLÉK INDIKÁTOR
2. DISC DIRECT KERESÉS GOMB
3. PROG . GOMB
4. CD / USB HASZNALAT VAGY IDŐDENG GOMB, TUNER DOWN GOMB.
5. KIEGYENLÍTŐ GOMB
6. REPEAT GOMB
7. X-BASS GOMB
8. TRACK DOWN
9. CD / BLUETOOTH LEJÁTSZÁS / SZUNET / RADIO AUTO KERESÉS GOMB
10. CD / BLUETOOTH SKIP ELŐZŐ / HANGZAT - GOMB
11. CD / BLUETOOTH SKIP NEXT / TUNE + GOMB
12. CLOCK SET
13. LCD KIJELZŐ
14. CD AJTÓ NYITÓ / ZÁRÓ GOMB
15. CD AJTÓ
16. FM ANTENNA
17. Fejhallgató csatlakozó
18. JOBB SPEAKER CSATLAKOZÓ
19. LEFT SPEAKER CSATLAKOZÓ
20. RANDOM GOMB ES BEVEZETŐ GOMB
21. AKKUMULÁTOROK RÉSZE
22. BT JÁTEK / SZUNET GOMB
23. DÖNTÉS GOMBOT FELT
24. CD LEJÁTSZÁSI / SZUNET GOMB
25. CD STOP GOMB

RENDSZERKAPCSOLATOK

A csatlakoztatás előtt feltétlenül húzza ki a hálózati kábelt a fali aljzatból.

AC tápcsatlakozás

Csatlakoztassa a hálózati tápkábelt egy rendelkezésre álló 230 V ~ 50 Hz-es konnektorba. Ellenőrizze, hogy a dugó megfelelően van-e dugva a hálózati aljzatba.

Az elemek telepítése az akkumulátor biztonsági mentéséhez.

1. Távolítsa el az elemtartó rekesz ajtaját, amely a főegység alján található.
2. Kövesse az elemtartó rekesz belsejében található polartási jelöléseket, és helyezze be 2 x AAA elem (nem tartozék) az elemtartóban található két elemrészbe.
3. Helyezze vissza az akkumulátor ajtaját.

MEGJEGYZÉSEK:

· A tartalék elemek cseréjekor ne húzza ki a hálózati kábelt a fali aljzatból. Ha ezt teszi, akkor az összes aktuális dátum- és riasztási beállítás törlődik.

· Ha az egységet hosszabb ideig nem fogja csatlakoztatni, vegye ki az elemeket, hogy elkerülje az esetleges károkat, amelyek az elemek szivárogásakor és korrózióhoz vezethetnek.

Távírányító

A távírányító egy CR2025 3V-os lítium elemmel működik (a távvezérlőben található). A távírányító aktiválásához távolítsa el az elemtartóba helyezett szigetelő fület.

Ha a távoli művelet szakaszos vagy nem kielégítő, cserélje ki az eredeti akkumulátort egy új CR2025 3V lítium elemre.

1. Nyomja le a rekesz fedelét, csúsztassa ki az elemtartót a távírányító házából.
2. Cserélje ki az akkumulátort, ellenőrizve, hogy az akkumulátor megfelelően van-e felszerelve. A távírányító nem fog működni, ha az akkumulátor rossz polarítású.

VIGYAZAT:

- 1.) Robbanásveszély az akkumulátor helytelen cseréje esetén.
- 2.) Cserélje csak az azonos vagy azzal egyenértékű típusú akkumulátort.
- 3.) Helyezze vissza az elemtartót az akkumulátor nyílásába.

Az egység be- és kikapcsolása

1. Kikapcsolt (készenléti) módban érintse meg a POWER / STANDBY gombot (A1, B1) a főegységen vagy a távírányítón az egység bekapcsolásához. A készülék bekapcsol, az utóljára kiválasztott beviteli mód ikonja megjelenik az LCD kijelzőn.

2. Az egység KI (készenléti) kikapcsolásához érintse meg ismét a Bekapcsoló POWER / STANDBY gombot (A1, B1) a főegységen vagy a távírányítón. Az LCD KIJELZŐ elhalványul, és megmutatja az aktuális időt. A készenléti állapot jelzőfénye világít.

AZ ÓRA BEÁLLÍTÁSA

A hálózati tápegység csatlakoztatása után a „00:00” jelenik meg, és az LCD kijelzőn villogni kezd.

1. Kikapcsolt (készenléti) módban nyomja meg és tartsa lenyomva a távvezérlő vagy a főegység CLOCK SET gombját (B13). A kijelzőn megjelenik a „24H” 24 óras formátum.

2. Érintse meg az Előző / Következő gombot (B4, B18) a távírányítón vagy a főegységen a 24 órás formátum kiválasztásához, ha szükséges. Ellenkező esetben nyomja meg a CLOCK SET (B12) gombot a 12 órás formátum megerősítéséhez, és lépjen be az óra beállítás üzemmódba. Az óras szám villog.

3. Az óra beállításához érintse meg a távírányító vagy a főegység Előző / Következő gombot (B4, B18). Nyomja meg és tartsa lenyomva a gombot a gyors előre / hátra beállításához.

Megjegyzés: Győződjön meg arról, hogy az órát úgy állította be, hogy a PM jelzőfény helyesen jelenjen meg.

4. Nyomja meg a távvezérlőn lévő CLOCK SET (B12) gombot az óra beállításának megerősítéséhez. A perc számjegyei villognak, hogy kérjen adatot.

5. A perc beállításához érintse meg a távirányító vagy a fő egység Előző / Következő gombját (B4, B18). Nyomja meg és tartsa lenyomva a gombot a gyors előre / hátra beállításához.

6. A beállítás befejezéséhez nyomja meg ismét a távvezérlő CLOCK SET (B12) gombját.

MEGJEGYZÉS: Az óra és a rádióállomás előre beállított értékeit vissza kell állítani, ha az áramellátás megszakad, vagy áramszünet következik be. A „00:00” felirat jelenik meg, és az LCD kijelzőn villogni kezd, jelezve, hogy az áramellátás megszakadt, és az órát vissza kell állítani. Az óra visszaállításához kövesse a fenti 1-6 lépéseket.

AZ ÓR ELLENŐRZÉSE

A készülék készenléti állapotban megmutatja az aktuális időt. Az aktuális idő bekapcsolás bekapcsolt állapotában történő ellenőrzéséhez tartsa nyomva a főegység vagy a távvezérlő CLOCK SET (B12) gombját 3 másodpercig, az aktuális idő 5 másodpercre megjelenik, majd visszatér az előző képernyőre.

RIASZTÁSI MŰKÖDÉS (CSAK TÁVVEZÉRLÉS)

A RIASZTÓ ÓRA BEÁLLÍTÁSA

Ez a funkció lehetővé teszi a rendszer számára, hogy automatikusan bekapcsoljon, és egy sípoló riasztással, CD-lemezen, USB-n vagy BU RÁDIÓval ébresszen fel.

1. Tartsa nyomva a TIMER (B13) gombot a távirányítón, amíg a kijelzőn az „On” felirat meg nem jelenik, és az óraszám villog.
2. Az Előző / Következő gomb (B4, B18) gombokkal állítsa be az órát, majd nyomja meg az TIMER gombot a megerősítéshez. A perc számjegyei villognak a kijelzőn.
3. A perc / számjegyek beállításához nyomja meg az Előző / Következő gomb (B4, B18) gombot, majd a megerősítéshez nyomja meg az IDŐZÍTŐ (B13) gombot.
4. Ha az Előző / Következő gomb (B4, B18) Be van állítva az Időzítő órakészletén, a kijelzőn az „OFF” felirat jelenik meg, és az órák villognak.
5. Nyomja meg az Előző / Következő gomb (B4, B18) gombot az óra számjegyének beállításához, majd nyomja meg az TIMER (B13) gombot a megerősítéshez. A perc számjegyei villognak a kijelzőn.
6. A percszámjegyek beállításához nyomja meg a távvezérlő Előző / Következő gombját (B4, B18), majd nyomja meg az TIMER gombot a megerősítéshez.
7. A gombokkal válassza ki a CD, USB, BT vagy FM módot, majd nyomja meg az TIMER (B13) gombot a megerősítéshez. A kijelzőn a „VOL #” felirat jelenik meg, és villogni kezd.
8. Nyomja meg az Előző / Következő gomb (B4, B18) gombot a hangerő beállításához, majd nyomja meg az TIMER gombot a megerősítéshez.
9. Nyomja meg az IDŐZÍTŐ (B13) gombot az „Időzítő be” kiválasztásához, és az Időzítő most meg van készlet.
9. Készenléti állapotban az Időzítő ikon jelenik meg a kijelzőn, jelezve, hogy az Időzítő be van kapcsolva.

JEGYZET:

- 1.) Ha a „Wake to CD, USB” van kiválasztva, de a CD nincs behelyezve, akkor a riasztás alapértelmezés szerint a sípoló riasztás lesz, amikor a riasztási ébresztési idő eléri.
- 2.) A „Wake to Radio” esetén a rendszer alapértelmezés szerint az utoljára hallgatott FM rádióállomást választja ki, mielőtt kikapcsolna.
- 3.) A crescendo riasztás a beállított hangerőre növekszik.

AKTÍV / DE-AKTÍV RIASZTÁSI FUNKCIÓ

1. A riasztás aktiválásához érintse meg egyszer az TIMER (B13) gombot, és a riasztás ikon megjelenik az LCD kijelzőn.
2. A RIASZTÁS funkció kikapcsolásához nyomja meg ismét a TIMER (B13) gombot. A riasztás ikon kialszik.

Ébresztés rádióra, CD-re, USB-re vagy BUZZER riasztásra

· Amikor eléri az ébresztési időt, a CD-, USB- vagy rádiós hangjelzés 60 percig szól, majd kikapcsol, és a következő napra állítja vissza (a szundi gomb megnyomása nélkül).

· A riasztás azonnali leállításához, miután megszólalt, koppintson egyszer a távkapcsoló vagy a főegység POWER / STANDBY gombjára (A1, B1). Alaphelyzetbe áll a következő napra.

· A következő napi riasztás törléséhez érintse meg egyszer a TIMER (B13) GOMBOT, az ALARM ikon kialszik.

RÁDIÓ MŰKÖDÉS

1. A készülék bekapcsolásához érintse meg a POWER / STANDBY gombot (A1, B1) a főegységen vagy a távirányítón.
2. Érintse meg a SOURCE gombot (A1, B11) a főegységen vagy a távirányítón az FM üzemmód kiválasztásához. Az FM rádiófrekvencia megjelenik a kijelzőn.
3. Ha egy adott rádióállomást manuálisan szeretne beállítani, koppintson többször a Track Down, Track up (A10, A11, B8, B18) elemre a főegységen vagy a távirányítón. Használja a kézi hangolási módszert a gyengébb állomások hangolására, amelyeket az automatikus hangolás során megkerültek.
4. A következő elérhető rádióállomás automatikus behangolásához tartsa nyomva a főegység vagy a távirányító nyomógombját (A10, A11, B8, B18) 1-2 másodpercig, amíg a frekvenciaolvasás a képernyőn el nem kezd keresni, majd engedje el a gombot. A hangoló leállítja a szkennelést, amikor megkapja a következő megfelelő erősségű sugárzó állomást.
5. Nyomja meg a hangerőszabályzó a főegységen vagy a távirányítón a kívánt hangerő beállításához.

FM / FM sztereó vétel

Az FM rádió hallgatása közben nyomja meg a távvezérlő ST./ MONO gombját (B16) a sztereó és a mono mód közötti váltáshoz. Az FM sztereó ikon „ST” megjelenik a kijelzőn, ha a készülék sztereó módban van. Célserű, ha a program monóként történik, ha gyenge állomást kap.

A legjobb vétel tippei:

FM - A legjobb FM-vétel érdekében az FM vezetékes antenna a készülék hátulján található teljesen ki kell csomagolni és ki kell terjeszteni.

MEGJEGYZÉS: Az automatikus hangolás a sugárzó állomás jelerősségétől függ, így a gyenge állomások átugorhatók. Manuálisan beállíthatja a gyenge állomásokat, ha egy állomást átugornak. Erős jelek esetén a tuner leállhat, mielőtt eléri a tényleges sugárzási frekvenciát, ezért a legjobb vétel érdekében manuálisan kell hangolnia.

Rádióállomások alaphelyzetbe állítása

1. A készülék bekapcsolásához nyomja meg a POWER / STANDBY gombot (A1, B1) a főegységen vagy a távirányítón.
 2. Érintse meg a SOURCE gombot (A1, B11) a főegységen vagy a távirányítón az FM rádió üzemmód kiválasztásához.
 3. Tartsa nyomva és tartsa lenyomva a főegység vagy a távvezérlő Nyomja meg, Nyomja fel a gombot (A10, A11, B8, B18) gombot, amíg a kijelzőn megjelenő frekvencia-leolvasás el nem kezd szkennelni, majd engedje fel az automatikus keresés és az előre beállított csatornák programjának gombját. A „PROG” felirat jelenik meg a kijelzőn, és villog. Az automatikus keresés és a program a P01-nél leáll, miután a szkennelést befejezte. A „PROG” folyamatosan megjelenik a kijelzőn.
- Megjegyzés: Ha az automatikus keresés és a beprogramozott előre beállított csatornák között nem azokat szeretné menteni, akkor használja az alábbi módszert a rádiókészülékek kézi mentésére.
4. Hangolja be a kívánt rádióállomást „manuális” vagy „automatikus” hangolási módszerrel.
 5. Érintse meg a PROG elemet . (B3) a távirányítón, a következő elérhető előre beállított memória száma és egy villogó PROG . A (B3) ikon megjelenik az LCD kijelzőn. (Megjegyzés: A „P01” felirat jelenik meg a kijelzőn, ha az előre beállított programot először programozza)
 6. Érintse meg a PRE elemet. Gomb (B15, B19) a főegységen vagy a távirányítón annak az előre beállított számnak a kiválasztásához, amelyhez hozzá szeretné rendelni az állomást.
 7. Érintse meg a PROG elemet . (B3) gomb a beállítás megerősítéséhez.
 8. Ismétlje meg a 4-8 lépéseket, hogy legfeljebb 30 FM állomást tároljon.

EMLÉKEZTETT A MEMÓRIA KANÁLOKKAL

Rádió üzemmódban hívja elő az előre beállított csatornákat a PRE megnyomásával. Gomb (B15, B19) a távirányítón ismételten.

CD-LEJÁTSZÓ MŰKÖDÉSE

Jegyzet:

1. Ez a CD-lejátszó nem csak kereskedelmi CD-ket játszik le, hanem önálló CD-R / RW, MP3 lemezeket is. Ne kísérelje meg CD-ROM, CDI, VCD , DVD vagy számítógép CD lejátszását .
2. Az MP3 a tömörítés egyik formája. Ez egy rövidítés, amely az MPEG Audio Layer 3-t jelenti. Az MP3 egy olyan típusú hangkód, amelyet az eredeti hangforrás jelentős tömörítésével dolgoznak fel, nagyon csekély a hangminőség romlása.
 - Ez a rendszer támogatja az MPEG 1 Layer 3 és a VBR fájlokat.
 - A VBR fájl lejátszása közben az időszámoló a kijelzőn eltérhet a tényleges lejátszási időtől.
 - Az MP3 által támogatott bitráta 32 ~ 320 kbps

Olvassa el ezt a fontos információt:

Az ilyen eszközökben használt CD-mechanizmusok célja az összes kereskedelmi CD olvasása. Olvasni fogja az önállított CD-R / CD-RW és MP3 lemezeket is, de a lejátszás elkezdése akár 10 másodpercig is eltarthat. Ha a lejátszás nem indul el, akkor ez valószínűleg a CD-R / RW , az MP3 lemez és / vagy a CD-fordító szoftver kompatibilitása miatt. A gyártó nem felelős a CD-R / RW , MP3 lemezek lejátszási minőségéért .

Ne ragasszon címkét vagy pecsétet a CD-R / RW, MP3 lemez egyik oldalára sem. Ez hibás működést okozhat.

CD-lemez lejátszása

1. A készülék bekapcsolásához nyomja meg a POWER / STANDBY gombot (A1, B1) a főegységen vagy a távirányítón.
2. A CD üzemmód kiválasztásához érintse meg a távirányító vagy a fő egység SOURCE gombját (A1, B11), majd nyomja meg a Megnyitás a lemeztálcát.
3. Helyezzen egy audio CD-t a középső orsóra úgy, hogy annak címkéje oldala kifelé nézzen a CD-Ajtó felé. Csukja be a lemeztartót.
4. Az egység elkezdi olvasni a lemezt, a „---” felirat jelenik meg a kijelzőn és villog. Néhány másodperc után a műsorszámok száma egy másodpercre mutat, majd a CD teljes időtartama megjelenik az LCD KIJELZŐN.
5. Nyomja meg a PLAY / PAUSE (A9, B22) gombot a főegységen vagy a távirányítón, a PLAY jelzőfény megjelenik a kijelzőn, a CD lejátszása az első műsorszámtól kezdődik
6. Nyomja meg a hangerőszabályzót. Állítsa be a hangerőt. a főegységen vagy a távirányítón, hogy beállítsa a kívánt hangerőt.
7. A lejátszás szüneteltetéséhez nyomja meg a PLAY / PAUSE (A9, B22) gombot a főegységen vagy a távirányítón. A műsorszám idejét szüneteltetik, és a PAUSE kijelző megjelenik a kijelzőn. A lejátszás folytatásához nyomja meg ismét a CD PLAY / PAUSE (A9, B22) gombot.
8. Választhat úgy, hogy közvetlenül lejátssza a kedvenc zeneszámát a Track Down, Track up (A10, A11, B8, B18) megnyomásával. Az LCD kijelző jelzi a helyes műsorszámot.
9. Ha egy adott szakaszon szeretne elhelyezni egy sávot, nyomja meg és tartsa lenyomva a Track down, Track up (A10, A11, B8, B18) gombot, amíg a szakasz meg nem található. Engedje el a gombot a kiválasztott játék folytatásához.
10. A lejátszás leállításához nyomja meg a STOP (A8, B25) gombot.

MP3 LEJÁTSZÁSI ELJÁRÁS

CD-R / RW, MP3 lejátszáshoz

1. Nyomja meg a távvezérlő SOURCE gombját (A1, B11), és töltsön be egy MP3 lemezt.
 2. Nyomja meg a FOLDER (B15, B19) gombot a kívánt lejátszási mappa kiválasztásához.
 3. Válassza ki a lejátszani kívánt fájlt a Track Down, Track up (A10, A11, B8, B18) gomb megnyomásával.
 4. Nyomja meg a PLAY / PAUSE (A9, B22) gombot. Elindul a lejátszás, és megjelenik a fájlneve.
- s Ha lejátszás be van kapcsolva a mappa üzemmódban, nyomja meg a FOLDER (B15, B19) gombot, és a mappa akkor is kiválasztható, ha lejátszás / szünet üzemmódban van. A lejátszás / szünet módot folytatja a kiválasztott mappa 1. sávján.

VISSZA AZ USB / MP3 LEJÁTSZÓ VISSZAJÁTÁSÁHOZ KAPCSOLÓKAL

1. Az USB funkció kiválasztásához nyomja meg ismételten a SOURCE gombot (A1, B11) a távvezérlőn vagy a SOURCE gombot (A1, B11) a főegységen. Csatlakoztassa az USB memóriaeszközt, amelynek MP3 formátumú fájlja van a készüléken. Ha az USB-memóriát csatlakoztatja a főegységhez, megjelenik az eszközinformáció.
2. Nyomja meg a FOLDER (B15, B19) gombot a kívánt lejátszási mappa kiválasztásához. A lejátszás bekapcsolt mappa móddal történő indításához folytassa a lépéssel.
3. Válassza ki a lejátszani kívánt fájlt a Track Down, Track up (A10, A11, B8, B18) gomb megnyomásával.
4. Nyomja meg a PLAY / PAUSE (A9, B22) gombot. A lejátszás elindul, és a fájl neve jelenik meg.

JEGYZET:

- A termék nem kompatibilis az USB-háttértár vagy az MP3-lejátszó MTP és AAC fájlrendszereivel.
 - Ez a készülék támogatja a FAT16 és a FAT32 fájlokat, de egyes USB-adathordozók nem támogatják mindkét fájlrendszert. A részleteket lásd a kérdéses USB-tárolóeszköz használati útmutatójában, vagy vegye fel a kapcsolatot a gyártóval.
- ELLENŐRZESI ÉS KERESÉSI MÓD

1. Lejátszás vagy szünet üzemmódban érintse meg a Track down, Track up (A10, A11, B8, B18) gombot a következő műsorszámra lépéshez vagy az aktuális műsorszám elejére való visszatéréshez.
2. Lejátszás közben nyomja meg és tartsa lenyomva a Track Down, Track up (A10, A11, B8, B18) gombot az aktuális műsorszámon történő kereséshez hallható nagy sebességű lejátszással.

KÜLÖNLEGES JÁTÉKMÓDOK (CSAK TÁVVEZÉRLÉS)

A távirányító REPEAT gombjának (B6) többszöri megnyomásával válassza ki a lejátszási módok közül a CD-lemezt.

CD lejátszásakor a lejátszási módok az alábbiak szerint jelennek meg:

- Ismétlés
- Minden ismétlje meg
- Normál

1. REPEAT - a lejátszott műsorszám folyamatosan megismétlődik. Ismételje meg a képernyőn a „REPEAT 1” ikont.
- REPEAT ALL - az összes szám folyamatosan megismétlődik. Minden ismétlés A „REPEAT ALL” ikon jelenik meg a kijelzőn.

RANDOM PLAY

Ha a RANDOM (B20) gombot háromszor megnyomja, az „RDM” jelzőfény kigyullad az LCD kijelzőn. A lemezen lévő műsorszámok véletlenszerű sorrendben játszhatók le automatikusan.

A véletlenszerű játék visszavonása:

Nyomja meg ismét a RANDOM (B20) gombot. Az „RDM” jelző eltűnik.

JEGYZET:

Ha véletlenszerű lejátszás közben megnyomja a gombot, akkor a véletlenszerű művelet következtében kiválasztott műsorszámra léphet. Másrészt a gomb nem engedi az előző műsorszámra lépéshez. A lejátszott műsorszám eleje megtalálható. Véletlenszerű lejátszáskor az egység automatikusan kiválasztja és lejátszza a műsorszámokat. (A zeneszámok sorrendjét nem lehet kiválasztani.)

INTRO LEJÁTSZÁS

1. Nyomja meg az INTRO (B20) gombot a távirányítón. A kijelzőn megjelenik az „INTRO (B20)” jelző.
A készülék az egyes műsorszámok első 10 másodpercét játssza le.
2. A normál lejátszás folytatásához nyomja meg ismét a távvezérlő INTRO (B20) gombját.

JÁTÉKON JÁTÉKSZERKEZÉS PROGRAMOZÁS

Ez a funkció lehetővé teszi a műsorszámok programozott sorrendben történő lejátszását. A felhasználó akár 32 zeneszámot is programozhat CD módban vagy 99 zeneszámot MP3 formátumban

MEGJEGYZÉS: A programot csak STOP módban lehet beállítani.

1. Érintse meg a PROG elemet . A távirányítón lévő gomb (B3), az „1” programszám megjelenik a kijelzőn, a „PROG” ikon és a CD-szám,-” szintén villog az LCD kijelzőn. (Megjegyzés: Az „1” - jelenik meg a kijelzőn, ha első alkalommal programoz be).
2. A Track track, Track up (A10, A11, B8, B18) használatával a főegységen vagy a távirányítón válassza ki a kívánt műsorszámot. A műsorszám száma megjelenik a kijelzőn
3. Érintse meg a PROG elemet . A főegység vagy a távvezérlő gombja (B3) a kiválasztott műsorszám tárolására a memóriában, a következő programszám előre lép (azaz „2”) az LCD kijelzőn.
4. Ismételje meg a 2-3 lépéseket további műsorszámok tárolásához a memóriában. Legfeljebb CD 32, MP3 99 műsorszámot tárolhat. A kijelzőn a „FUL” felirat jelenik meg a műsorszámok beprogramozása után.
5. Érintse meg a LEJÁTSZÁS / SZÜNET (A9, B22) elemet. a főegységen vagy a távirányítón, hogy elindítsa a CD-t a programozott sorrendben.

6. Nyomja meg a távvezérlő REPEAT gombját (B6), ha szükséges, válassza az Repeat 1 / All lehetőséget.
7. A lejátszás leállításához nyomja meg a főegység vagy a távirányító STOP gombját (A8, B25).
A programlejátszás megszakításához nyomja meg kétszer a főegység vagy a távvezérlő STOP gombját (A8, B25). A „ PROG ” ikon eltűnik a kijelzőről.

BLUETOOTH MŰKÖDÉS

Nyomja meg a POWER / STANDBY gombot (A1, B1) az egység bekapcsolásához, és kövesse az alábbi utasításokat a Bluetooth-on keresztül történő csatlakozáshoz.

BLUETOOTH-ENGEDÉLYEZETT mobiltelefon VAGY EGYÉB BLUETOOTH-ENGEDÉLYEZETT ESZKÖZ SZÁMÍTÁSA (Összekapcsolása) az eszközhöz

Ha a CR 1173 még soha nem volt párosítva a Bluetooth-eszközzel. Az eszköz összekapcsolásához a Bluetooth-eszközzel az alábbi párosítási utasításokat kell követnie.

1. A készülék bekapcsolásához nyomja meg a POWER / STANDBY gombot (A1, B1) a főegységen vagy a távirányítón.
2. A Bluetooth üzemmód kiválasztásához érintse meg a SOURCE gombot (A1, B11) a fő vagy a távvezérlőn. A Bluetooth “ bt ” üzenet megjelenik a kijelzőn és villog.
3. Ha a CR 1173 még soha nem volt párosítva a Bluetooth-eszközzel, vagy ha nem találja az utoljára párosított eszközt, akkor az LCD-n villogó „ bt ” jelzi, hogy a XXX keresési módban van. Az eszköz összekapcsolásához a Bluetooth-eszközzel az alábbi párosítási utasításokat kell követnie.
- Kapsolja be a Bluetooth-eszköz Bluetooth funkcióját, és engedélyezze a keresési vagy szkennelési funkciót a CR 1173 megtalálásához.
- Válassza ki a "CR 1173" elemet az eszközlísból, amikor az megjelenik az eszköz képernyőjén. Ha szükséges, írja be a „0000” kódot, hogy a CR 1173 eszközt párosítsa (összekapcsolja).
4. A sikeres párosítás (összekapcsolás) után a kijelző megváltozik, hogy folyamatosan megjelenjen a „ bt ”, a Bluetooth ikon szintén megjelenik a kijelzőn. Megkezdheti a zene lejátszását a Bluetooth-eszközzel vezeték nélkül a hangszóróra.
5. A kedvenc dal kiválasztása után nyomja meg a PLAY PAUSE (B22, A9) gombot a készüléken vagy a távirányítón a dal lejátszásához vagy szüneteltetéséhez
6. A kívánt hangerő beállításához nyomja meg a főegység vagy a távvezérlő hangerőszabályozóját.
7. Nyomja meg a Track Down, Track up (B8, B9) gombot a főegységen vagy a távirányítón, hogy ugorjon az előző vagy a következő dalra.
8. Ha az eszköz párosítani szeretné egy másik Bluetooth-kompatibilis eszközzel, nyomja meg és tartsa lenyomva a PAIR (B10) gombot 3 másodpercig, vagy kapcsolja ki az eszközhöz párosított eszköz Bluetooth funkcióját, majd ismétlje meg a fenti 3. lépést.

Megjegyzés:

- 1.) Lásd a mobiltelefon, a táblagép, a számítógép vagy más Bluetooth-kompatibilis eszközök kézikönyvét a Bluetooth működésével kapcsolatban, mivel az modellenként eltérő lehet.
- 2.) Ha a Bluetooth-kompatibilis készüléke nem támogatja az A2DP profilt, akkor a zenét a hangszórón keresztül nem juttassa le, még ha párosítva is van (összekapcsolva).
- 3.) Ha a számítógépet párosítja (összekapcsolja) a készülékkel a Bluetooth-on keresztül, akkor lehet, hogy a hangszórót a számítógép alapértelmezett hangkészülékévé kell állítania.

KIEGÉSZÍTŐ BEMENETI MŰKÖDÉS

Ez a készülék kiegészítő audiojel-bemeneti csatlakozóval rendelkezik a külső audioszerek, például MP3-lejátszók, digitális audiokészülék csatlakoztatásához és hallgatásához, a készülék hangszóróján keresztül.

1. Használjon audiókábelt (nem tartozék), egy kábel mindkét végén egy 3,5 mm-es sztereó csatlakozóval.
2. Csatlakoztassa az egyik végét a fő egység AUX IN JACK (A5) csatlakozójába, a kábel másik végét pedig a külső audioszerek kimeneti csatlakozójába vagy fejhallgató-csatlakozójába.
3. Kapcsolja be az egységet és a külső audioszereket.
4. Érintse meg a SOURCE gombot (A1, B11) a fő vagy a távvezérlőn az AUX üzemmód kiválasztásához. Az „AUX” ikon bekapcsol, a kijelzőn az „AUX” üzenet jelenik meg.
5. A hangerő most a főegységen keresztül vezérelhető. Az összes többi funkciót a szokásos módon működtesse a kiegészítő eszközön.

· Ha ezt a készüléket a külső eszköz Line-Out aljzatához csatlakoztatja, akkor csak a készülék hangerejét kell beállítania. Ha csatlakoztatja a külső eszköz fejhallgató-csatlakozóját, akkor a kívánt hangerő-beállítás eléréséhez előfordulhat, hogy mind a külső eszköz, mind az egység hangerőszabályozóját be kell állítania.

PRESET EQ (CSAK TÁVVEZÉRLÉS)

Ez a készülék 4 különféle EQ módot biztosít a hallgatási élmény fokozása érdekében. A kívánt hatást a távvezérlő EQ gombjának (B5)

többször megnyomásával választhatja ki a következő sorrendben:

ROCK POP JAZZ CLASSIC KI

LEJÁTSZÓ GOMB (CSAK TÁVVEZÉRLÉS)

- Nyomja meg a távvezérlőn a MUTE gombot (B21), hogy ideiglenesen elnémítsa a hangszórót. A „V 00” jelenik meg a kijelzőn.
- A normál hangszóró-lejátszás folytatásához nyomja meg ismét a MUTE gombot (B21) vagy a VOLUME CONTROL (B23, A12) gombot.

Alvó műveletek (CSAK TÁVVEZÉRLÉS)

Az alvásidőzítő lehetővé teszi az egység kikapcsolását a megadott idő elérése után.

1. Az alváskapcsoló aktiválásához kapcsolja be a készüléket, és koppintson a SOURCE gombra (A1, B11) az FM rádió, CD, USB, Bluetooth vagy zenehallgatáshoz az AUX IN segítségével.
2. Érintse meg a SLEEP gombot (B14) a távirányítón, és a „SLEEP” alvásidő ikon jelenik meg a kijelzőn.
3. Ismétellen érintse meg a SLEEP gombot (B14) a távirányítón, hogy az alvási idő kiválasztásához. A készülék 10, 20, 30, 40, 50, 60, 70, 80 vagy 90 perc elteltével kapcsol ki. Várjon 3 másodpercet a választás után, hogy az egység megerősítse a választást, az egység a kiválasztott ideig lejátssza, majd automatikusan kikapcsol.
4. Az alvásidőzítő törléséhez érintse meg többször a SLEEP gombot (B14), amíg az időzítő „OFF” feliratot nem mutat, a „SLEEP” alvásidő ikon eltűnik a kijelzőről

5. A készülék kikapcsolásához a kiválasztott idő előtt bármikor nyomja meg a POWER / STANDBY gombot (A1, B1).

Megjegyzés:

- 1.) A fennmaradó alvási idő ellenőrzéséhez érintse meg egyszer a SLEEP gombot (B14).
- 2.) Ha elalszik az AUX bemenethez csatlakoztatott külső eszköz zenéjétől, akkor az alvaskapcsoló kikapcsolja a rendszer tápellátását, de nem kapcsolja ki a külső eszközt

Fejhallgatók (nem benne)

A fejhallgató csatlakozójának a sztereó fejhallgató-csatlakozóba (A17) történő behelyezése lehetővé teszi, hogy magántulajdonban hallgassa meg a CD-t vagy a rádiót. Fejhallgató használatakor a beépített hangszórók leválasztásra kerülnek.

Olvasa el ezt a fontos információt, mielőtt fejhallgatóját használja

1. Kerülje a nagyon nagy hangerőn történő lejátszást, mivel ez károsíthatja hallását.
2. Ha csenget a fülében, csökkentse a hangerőt vagy állítsa le a készüléket.
3. Tartsa a hangerőt ésszerű szinten még akkor is, ha a fülhallgató szabadtéri típusú, amelynek célja a külső hangok hallása. Felhívjuk figyelmét, hogy a túl nagy hangerő továbbra is blokkolja a külső hangokat.

ÚJRAINDÍTÁSA

Ha a rendszer nem reagál vagy hibásan működik, akkor elektrosztatikus kisülés (ESD) vagy áramszünet tapasztalható meg, amely a belső számítógép automatikusan leállt. Ha ez történik, húzza ki a hálózati kábelt az áramforrásból, várjon 60 másodpercet, majd dugja vissza a hálózati kábelt az áramforráshoz. Az egység alaphelyzetbe áll, be kell állítania az órát, az ébresztést és az előre beállított rádiócsatornákat.

Ápolás és karbantartás

1. Ne tegye ki az egységet túlzott erőnek, ütésnek, pornak vagy szélsőséges hőmérsékletnek (40 ° C felett).
2. Ne manipulálja a készülék belső alkatrészeit.
3. Tisztítsa meg a készüléket egy száraz ruhával. Soha ne használjon oldószert vagy mosószert.
4. Kerülje el, hogy a készüléket közvetlen napfény, vagy forró, páras vagy poros helyen hagyja.
5. Tartsa távol a készüléket fűtőköszülékektől és az elektromos zajforrásoktól, például a fénycsövektől vagy a motoroktól.
6. Ha a CD lejátszása közben kimaradnak vagy megszakadnak a zene, vagy ha a CD egyáltalán nem játszik le, akkor annak alsó felületét meg kell tisztítani. A lejátszás előtt törölje le a lemezt közepétől kifelé egy jó puha tisztítókendővel.

AZ EGYSÉG TISZTÍTÁSA

- A tűz vagy az áramütés elkerülése érdekében tisztítás közben húzza ki a készüléket a hálózati áramforrásból.
- Az egység burkolatát pormentesítéssel tisztíthatja, és egyéb bútorként veheti igénybe. Óvatosan járjon el a műanyag alkatrészek tisztítása és törlése során.
- Ha a ház porossá válik, törölje le puha, száraz porkendővel. A szekrényen ne használjon viaszt vagy fényes spray-t.
- Ha az előlő panel piszkos vagy ujjlenyomatok foltosodnak, akkor azt egy puha ruhával, kissé megnedvesített szappan és víz oldattal megtisztíthatja. Soha ne használjon csiszoló rongyot vagy fényesítőt, mert ezek károsítják a készülék felületét.

VIGYÁZAT: Tisztítás közben soha ne engedje víz vagy más folyadék bejutni a készülék belsejébe

Műszaki adatok:

Teljesítményigény:

Főegység: 230V ~ 50Hz

Távirányító: CR2025 3V

DISC lejátszó szakasz

Rendszer: Kompakt lemez és digitális audiorendszer Laser Diode Properties

Kibocsátás időtartama: folyamatos

Lézerteljesítmény: kevesebb, mint 44,6 mW (Ez a kimenet az objektív lencse felületétől 200 mm távolságban történő mérés, az optikai felvétel blokkban, 7 mm-es rekeszsel.)

Frekvenciatartomány

FM tuner szakasz:

Hangolási tartomány: 87,5 MHz-108,0 MHz (50 kHz-es lépés.)

Hangszóró teljesítménye: 2x 5W

Max: 28W



Törődünk a természeti környezetért. Papír csomagokat kérünk adjanak át a papírhulladéka. Polietilén zacskókat (PE) dobjanak ki a műanyag tartályba. Kimerült gépe vissza kell adni a megfelelő taroló pontjához, mert a gépben levők veszélyes részek, veszedelmesek lehet a környezetnek. Az elektromos gép így kell visszaadni, hogy korlátozzon a re-használatát. Ha az elemek vannak a gépben, ki kell húzni ezeket és a visszakelladni külön taroló pontjához.

ΣΥΝΘΗΚΕΣ ΑΣΦΑΛΕΙΑΣ ΣΗΜΑΝΤΙΚΕΣ ΟΔΗΓΙΕΣ ΣΧΕΤΙΚΑ ΜΕ ΤΗΝ ΑΣΦΑΛΕΙΑ ΧΡΗΣΗΣ ΠΑΡΑΚΑΛΩ ΔΙΑΒΑΣΤΕ ΠΡΟΣΕΚΤΙΚΑ ΚΑΙ ΚΡΑΤΗΣΤΕ ΓΙΑ ΜΕΛΛΟΝΤΙΚΗ ΑΝΑΦΟΡΑ
Οι όροι εγγύησης είναι διαφορετικοί, εάν η συσκευή χρησιμοποιείται για εμπορικούς σκοπούς.

1. Πριν από τη χρήση του προϊόντος παρακαλούμε να διαβάσετε προσεκτικά και πάντα να συμμορφώνεστε με τις παρακάτω οδηγίες. Ο κατασκευαστής δεν φέρει καμία ευθύνη για τυχόν ζημιές που οφείλονται σε κακή χρήση.
2. Το προϊόν πρέπει να χρησιμοποιείται μόνο σε εσωτερικούς χώρους. Μην χρησιμοποιείτε το προϊόν για οποιοδήποτε σκοπό που δεν είναι συμβατό με την εφαρμογή του.
3. Η ισχύουσα τάση είναι 230V, ~ 50Hz. Για λόγους ασφαλείας δεν είναι σκόπιμο να συνδέσετε πολλές συσκευές σε μια πρίζα.
4. Να είστε προσεκτικοί κατά τη χρήση γύρω από τα παιδιά. Μην αφήνετε τα παιδιά να παίζουν με το προϊόν. Μην αφήνετε παιδιά ή άτομα που δεν γνωρίζουν τη συσκευή να το χρησιμοποιούν χωρίς επίβλεψη.
5. Η ΠΡΟΣΟΧΗ: Η συσκευή αυτή μπορεί να χρησιμοποιηθεί από παιδιά ηλικίας άνω των 8 ετών και άτομα με μειωμένες σωματικές, αισθητηριακές ή διανοητικές ικανότητες ή άτομα χωρίς εμπειρία ή γνώση της συσκευής μόνο υπό την επίβλεψη προσώπου υπεύθυνου για την ασφάλειά τους ή εάν είχαν ενημερωθεί για την ασφαλή χρήση της συσκευής και έχουν επίγνωση των κινδύνων που συνδέονται με τη λειτουργία της. Τα παιδιά δεν πρέπει να παίζουν με τη συσκευή. Ο καθαρισμός και η συντήρηση της συσκευής δεν πρέπει να πραγματοποιούνται από παιδιά, εκτός αν είναι άνω των 8 ετών και οι δραστηριότητες αυτές εκτελούνται υπό επίβλεψη.
6. Αφού ολοκληρώσετε τη χρήση του προϊόντος, θυμηθείτε να αφαιρέσετε απαλά το φως από την πρίζα που κρατάει την πρίζα με το χέρι σας. Ποτέ μην τραβάτε το καλώδιο ρεύματος !!!
7. Μην τοποθετείτε ποτέ το καλώδιο τροφοδοσίας, το φως ή ολόκληρη τη συσκευή στο νερό. Μην εκθέτετε ποτέ το προϊόν στις ατμοσφαιρικές συνθήκες όπως το άμεσο ηλιακό φως ή τη βροχή κλπ. Μην χρησιμοποιείτε ποτέ το προϊόν σε υγρές συνθήκες.
8. Ελέγχετε κατά διαστήματα την κατάσταση του καλωδίου τροφοδοσίας. Εάν το καλώδιο τροφοδοσίας είναι κατεστραμμένο, το προϊόν θα πρέπει να στραφεί σε μια επαγγελματική θέση σέρβις που θα αντικατασταθεί, προκειμένου να αποφευχθούν επικίνδυνες καταστάσεις.
9. Ποτέ μην χρησιμοποιείτε το προϊόν με ένα καλώδιο τροφοδοσίας που έχει υποστεί βλάβη ή εάν έχει πέσει ή έχει υποστεί ζημιά με οποιονδήποτε άλλο τρόπο ή εάν δεν λειτουργεί σωστά. Μην προσπαθήσετε να επιδιορθώσετε τον εαυτό σας, γιατί μπορεί να προκαλέσει ηλεκτροπληξία. Πάντοτε στρέψετε τη ζημιωμένη συσκευή σε μια επαγγελματική θέση σέρβις για να την επισκευάσετε. Όλες οι επισκευές μπορούν να γίνουν μόνο από εξουσιοδοτημένους τεχνικούς. Η επισκευή που έγινε εσφαλμένα μπορεί να προκαλέσει επικίνδυνες καταστάσεις για τον χρήστη.
10. Μπορείτε ποτέ να μην τοποθετήσετε το προϊόν πάνω ή κοντά στις ζεστές ή θερμές επιφάνειες ή στις συσκευές κουζίνας όπως ο ηλεκτρικός φούρνος ή ο καυστήρας αερίου.
11. Μην χρησιμοποιείτε ποτέ το προϊόν κοντά σε καύσιμα.
12. Μην αφήνετε το καλώδιο να κρεμάει πάνω από την άκρη του μετρητή ή να αγγίζει τις θερμές επιφάνειες.
13. Ποτέ μην αφήνετε το προϊόν συνδεδεμένο στην πηγή τροφοδοσίας χωρίς επίβλεψη. Ακόμη και όταν διακόπτεται η χρήση για μικρό χρονικό διάστημα, απενεργοποιήστε το από το δίκτυο, αποσυνδέστε το από την πρίζα.
14. Προκειμένου να παρέχετε πρόσθετη προστασία, συνιστάται η τοποθέτηση της συσκευής ρεύματος υπολειμμάτων (RCD) στο κύκλωμα ισχύος, με υπολειμματική ονομαστική τιμή ρεύματος όχι μεγαλύτερη από 30 mA. Επικοινωνήστε με τον επαγγελματία

ηλεκτρολόγο σε αυτό το θέμα.

15. Αποφύγετε να πιέζετε το ραδιόφωνο υγρό.

16. Το ραδιόφωνο μπορεί να σκουπιστεί μόνο με ένα στεγνό πανί. Μη χρησιμοποιείτε νερό ή καθαριστικά υγρά.

17. Το ραδιόφωνο πρέπει να φυλάσσεται σε ξηρό δωμάτιο.

ΣΥΣΚΕΥΗ:

1. ΕΝΕΡΓΟΠΟΙΗΣΗ ΕΝΕΡΓΟΠΟΙΗΣΗΣ / ΑΠΕΝΕΡΓΟΠΟΙΗΜΕΝΗΣ ΔΕΙΚΤΗΣ 2. ΠΗΓΗ 3. ΣΥΝΟΛΟ / ΜΝΗΜΗ ΜΠΟΥΤΟΝ
4. ΚΑΝΑΛΙ TUNER - 5.ΑΥΧ ΣΕ 6.USB 7. ΚΑΝΑΛΙ TUNER +
8. ΚΟΥΜΠΙ CD STOP / BLUETOOTH PAIR
9. CD / BLUETOOTH PLAY / PAUSE / RADIO AUTO SEARCH BUTTON
10. CD / BLUETOOTH SKIP PREVIOUS / TUNE - ΚΟΥΜΠΙ
11. CD / BLUETOOTH SKIP ΕΠΟΜΕΝΟ / TUNE + BUTTON
12. ΟΓΚΟΣ ΕΛΕΓΧΟΣ ΟΓΚΟΥ 13. ΘΘΟΝΗ LCD
14. ΠΟΡΤΑ CD ΑΝΟΙΓΜΑ / ΚΛΕΙΣΤΟ ΚΟΥΜΠΙ 15. ΠΟΡΤΑ CD/CD 16.FM ANTENNA
17. ΤΖΑΚ ΑΚΟΥΣΤΙΚΟΥ 18. ΣΥΝΔΕΣΗ ΔΕΞΙΟΥ ΗΧΟΥ
20. Προσαρμογή DC POWER 21. ΠΟΡΤΑ ΣΥΜΜΕΤΟΧΗΣ ΜΠΑΤΑΡΙΑΣ

ΤΗΛΕΧΕΙΡΙΣΤΗΡΙΟ:

1. ΕΝΕΡΓΟΠΟΙΗΣΗ ΕΝΕΡΓΟΠΟΙΗΣΗΣ / ΑΠΕΝΕΡΓΟΠΟΙΗΜΕΝΗΣ ΔΕΙΚΤΗΣ 2. ΚΟΥΜΠΙ ΑΜΕΣΗΣ ΑΝΑΖΗΤΗΣΗΣ ΔΙΣΚΟΥ
3. ΠΡΟΓΡΑΜΜΑ - ΠΛΗΚΤΡΟ 4. CD / USB TRACK DOWN Ή TIME DOWN BUTTON, TUNER DOWN BUTTON
5. Κουμπί ισοσταθμιστή 6. ΚΟΥΜΠΙ ΕΠΑΓΓΕΛΜΑΤΙΚΟΥ ΚΟΥΜΠΙ 7.X-BASS 8. ΠΛΗΚΤΡΟ ΚΑΤ
9. CD / BLUETOOTH PLAY / PAUSE / RADIO AUTO SEARCH BUTTON
10. CD / BLUETOOTH SKIP PREVIOUS / TUNE - ΚΟΥΜΠΙ
11. CD / BLUETOOTH SKIP ΕΠΟΜΕΝΟ / TUNE + BUTTON
12. CLOCK SET 13.LCD DISPLAY 14.CD DOOR OPEN / CLOSE BUTTON
15. ΠΟΡΤΑ CD 16.FM ANTENNA 17. JACK HEADPHONE
18. ΣΥΝΔΕΣΗ ΔΙΚΑΙΩΜΑΤΩΝ ΗΧΕΙΩΝ 19. ΑΡΙΣΤΕΡΑ ΣΥΝΔΕΤΗΡΑ ΗΧΕΙΩΝ
20. ΚΟΥΜΠΙ RANDOM ΚΑΙ ΕΙΣΟΔΟΣ ΚΟΥΜΠΙ 21. ΠΟΡΤΑ ΣΥΜΜΕΤΟΧΩΝ ΜΠΑΤΑΡΙΩΝ
22. BT PLAY / PAUSE BUTTON 23. ΤΟΜΟΣ ΕΝΑ ΚΑΤΩ ΚΟΥΜΠΙ
24. CD PLAY / PAUSE BUTTON 25.CD STOP BUTTON

ΣΥΝΔΕΣΕΙΣ ΣΥΣΤΗΜΑΤΟΣ

Βεβαιωθείτε ότι έχετε αποσυνδέσει το καλώδιο τροφοδοσίας AC από την πρίζα πριν πραγματοποιήσετε συνδέσεις.

Σύνδεση εναλλασσόμενου ρεύματος

Συνδέστε το καλώδιο τροφοδοσίας AC σε μια διαθέσιμη έξοδο AC 230V ~ 50Hz. Βεβαιωθείτε ότι το φις έχει τοποθετηθεί με ασφάλεια στην πρίζα AC.

Εγκατάσταση των μπαταριών για τη δημιουργία αντιγράφων ασφαλείας της μπαταρίας

1. Αφαιρέστε την πόρτα του χώρου μπαταριών που βρίσκεται στο κάτω μέρος της κύριας μονάδας.

2. Ακολουθήστε τις ενδείξεις πολικότητας μέσα στο διαμέρισμα μπαταριών και τοποθετήστε 2 x μπαταρίες AAA (δεν περιλαμβάνονται) στις δύο υποδοχές μπαταριών που βρίσκονται στο διαμέρισμα μπαταριών.

3. Επανατοποθετήστε την πόρτα της μπαταρίας.

ΣΗΜΕΙΩΣΕΙΣ:

· Κατά την αντικατάσταση των εφεδρικών μπαταριών, μην αποσυνδέετε το καλώδιο τροφοδοσίας AC από την πρίζα. Εάν το κάνετε, θα διαγραφούν όλες οι τρέχουσες ρυθμίσεις ημερομηνίας ώρας και συναγερμού.

· Εάν η μονάδα θα παραμείνει αποσυνδεδεμένη για μεγάλο χρονικό διάστημα, αφαιρέστε τις μπαταρίες για να αποφύγετε τυχόν ζημιές που μπορεί να προκύψουν εάν οι μπαταρίες διαρρεύσουν και προκαλέσουν διαβρωσή.

Τηλεχειριστήριο

Το τηλεχειριστήριο λειτουργεί σε μία μπαταρία λιθίου CR2025 3V (περιλαμβάνεται στο τηλεχειριστήριο). Για να ενεργοποιήσετε το τηλεχειριστήριο, αφαιρέστε τη γλωττίδα μονωτή που έχει τοποθετηθεί στο χώρο της μπαταρίας.

Εάν η απομακρυσμένη λειτουργία γίνεται διαλείπουσα ή μη ικανοποιητική, αντικαταστήστε την αρχική μπαταρία με μια νέα μπαταρία λιθίου CR2025 3V.

1. Πιέστε προς τα κάτω το κάλυμμα του διαμερίσματος, σύρετε τη θήκη της μπαταρίας από τη θήκη του τηλεχειριστηρίου.

2. Αντικαταστήστε την μπαταρία βεβαιωθείτε ότι η μπαταρία έχει εγκατασταθεί σωστά. Το τηλεχειριστήριο δεν θα λειτουργήσει εάν η μπαταρία έχει εγκατασταθεί με λάθος πολικότητα.

ΠΡΟΣΟΧΗ:

1.) Κίνδυνος έκρηξης εάν η μπαταρία αντικατασταθεί εσφαλμένα.

2.) Αντικαταστήστε μόνο με μπαταρία ίδιου ή ισοδύναμου τύπου.

3.) Τοποθετήστε ξανά τη θήκη της μπαταρίας στην υποδοχή της μπαταρίας.

ΕΝΕΡΓΟΠΟΙΗΣΗ / ΑΠΕΝΕΡΓΟΠΟΙΗΣΗ ΤΗΣ ΜΟΝΑΔΑΣ

1. Στη λειτουργία Off (αναμονή), πατήστε το κουμπί POWER / STANDBY (A1, B1) στην κύρια μονάδα ή στο τηλεχειριστήριο για να ενεργοποιήσετε τη μονάδα. Η μονάδα θα ενεργοποιηθεί, το τελευταίο επιλεγμένο εικονίδιο λειτουργίας εισαγωγής θα εμφανιστεί στην οθόνη LCD.

2. Για να απενεργοποιήσετε τη μονάδα (σε κατάσταση αναμονής), πατήστε ξανά το κουμπί Power On POWER / STANDBY (A1, B1) στην κύρια μονάδα ή στο τηλεχειριστήριο. Η οθόνη LCD θα μειωθεί και θα δείξει την τρέχουσα ώρα. Ανάβει η ένδειξη λειτουργίας αναμονής.

Ρύθμιση του ρολογιού

Αφού συνδέσετε την τροφοδοσία AC, θα εμφανιστεί το "00:00" και θα αρχίσει να αναβοσβήνει στην οθόνη LCD.

1. Σε κατάσταση απενεργοποίησης (αναμονής), πατήστε και κρατήστε πατημένο το κουμπί SET CLOCK (B13) στο τηλεχειριστήριο ή την κύρια μονάδα, θα εμφανιστεί στην οθόνη η μορφή 24 ΩΡΩΝ "24H".
2. Πατήστε το κουμπί Προηγούμενο / Επόμενο (B4, B18) στο τηλεχειριστήριο ή την κύρια μονάδα για να επιλέξετε τη μορφή 24 ωρών, εάν είναι απαραίτητο. Διαφορετικά, πατήστε το κουμπί CLOCK SET (B12) για να επιβεβαιώσετε τη μορφή ρολογιού 12 ωρών και να εισέλθετε στη λειτουργία ρύθμισης ρολογιού, τα ψηφία ώρας θα αναβοσβήνουν.
3. Πατήστε το κουμπί Προηγούμενο / Επόμενο (B4, B18) στο τηλεχειριστήριο ή την κύρια μονάδα για να ρυθμίσετε την ώρα. Πατήστε και κρατήστε πατημένο το κουμπί για γρήγορη ρύθμιση προώθησης / αντίστροφης ώσης.
Σημείωση: Βεβαιωθείτε ότι η ώρα έχει ρυθμιστεί έτσι ώστε η ένδειξη PM να εμφανίζεται σωστά.
4. Πατήστε το κουμπί CLOCK SET (B12) στο τηλεχειριστήριο για να επιβεβαιώσετε τη ρύθμιση της ώρας, τα ψηφία των λεπτών θα αναβοσβήνουν για να σας ζητήσουν εισόδο.
5. Πατήστε το κουμπί Προηγούμενο / Επόμενο (B4, B18) στο τηλεχειριστήριο ή την κύρια μονάδα για να ρυθμίσετε το λεπτό. Πατήστε και κρατήστε πατημένο το κουμπί για γρήγορη ρύθμιση προώθησης / αντίστροφης ώσης.
6. Πατήστε ξανά το κουμπί CLOCK SET (B12) στο τηλεχειριστήριο για να ολοκληρώσετε τη ρύθμιση.

ΣΗΜΕΙΩΣΗ: Οι προεπιλεγές ρολογιού και ραδιοφωνικού σταθμού θα πρέπει να επαναφερθούν εάν διακοπεί η τροφοδοσία ή σε περίπτωση διακοπής ρεύματος. Θα εμφανιστεί το "00:00" και θα αρχίσει να αναβοσβήνει στην οθόνη LCD για να σας ειδοποιήσει ότι η τροφοδοσία διακόπηκε και το ρολόι θα πρέπει να επαναφερθεί. Ακολουθήστε τα βήματα 1-6 παραπάνω για να επαναφέρετε το ρολόι.

ΕΛΕΓΧΟΣ ΤΟΥ ΡΟΛΟΓΙΟΥ

Η μονάδα θα εμφανίσει την τρέχουσα ώρα σε κατάσταση αναμονής. Για να ελέγξετε την τρέχουσα ώρα σε κατάσταση λειτουργίας ON, πατήστε και κρατήστε πατημένο το κουμπί CLOCK SET (B12) στην κύρια μονάδα ή το τηλεχειριστήριο για 3 δευτερόλεπτα, ο τρέχων χρόνος θα εμφανιστεί για 5 δευτερόλεπτα και στη συνέχεια θα επιστρέψει στην προηγούμενη οθόνη.

ΛΕΙΤΟΥΡΓΙΑ ΣΥΝΑΓΕΡΜΟΥ (ΜΟΝΟ ΑΠΟΚΛΕΙΣΤΙΚΟΣ ΕΛΕΓΧΟΣ)

Ρύθμιση του ρολογιού συναγερμού

Αυτή η λειτουργία επιτρέπει στο σύστημα να ενεργοποιείται αυτόματα και να σας ξυπνάει χρησιμοποιώντας ένα ζυπνητήρι, το CD, USB ή BU to RADIO.

1. Πατήστε και κρατήστε πατημένο το κουμπί TIMER (B13) στο τηλεχειριστήριο έως ότου η οθόνη εμφανίσει "On" και τα ψηφία της ώρας αναβοσβήνουν.
2. Πατήστε τα κουμπιά Προηγούμενο / Επόμενο (B4, B18) για να ρυθμίσετε τα ψηφία ώρας και, στη συνέχεια, πατήστε το κουμπί TIMER για επιβεβαίωση. Τα ψηφία λεπτών θα αναβοσβήνουν στην οθόνη.
3. Πατήστε τα κουμπιά Προηγούμενο / Επόμενο (B4, B18) για να ρυθμίσετε τα ψηφία λεπτών και, στη συνέχεια, πατήστε το κουμπί TIMER (B13) για επιβεβαίωση.
4. Όταν έχει οριστεί το κουμπί Προηγούμενο / Επόμενο (B4, B18) On Timer Clock, η οθόνη θα εμφανίσει "OFF" και τα ψηφία ώρας θα αναβοσβήνουν.
5. Πατήστε τα κουμπιά Προηγούμενο / Επόμενο (B4, B18) για να ρυθμίσετε τα ψηφία ώρας και, στη συνέχεια, πατήστε το κουμπί TIMER (B13) για επιβεβαίωση. Τα ψηφία λεπτών θα αναβοσβήνουν στην οθόνη.
6. Πατήστε τα κουμπιά Προηγούμενο / Επόμενο (B4, B18) στο τηλεχειριστήριο για να ρυθμίσετε τα ψηφία λεπτών και, στη συνέχεια, πατήστε το κουμπί TIMER για επιβεβαίωση.
7. Πατήστε τα κουμπιά για να επιλέξετε τη λειτουργία CD, USB, BT ή FM και, στη συνέχεια, πατήστε το κουμπί TIMER (B13) για επιβεβαίωση. Η οθόνη θα εμφανίσει "VOL.#" και θα αναβοσβήνει.
8. Πατήστε τα κουμπιά Προηγούμενο / Επόμενο (B4, B18) για να ρυθμίσετε την ένταση και, στη συνέχεια, πατήστε το κουμπί TIMER για επιβεβαίωση.
8. Πατήστε το κουμπί TIMER (B13) για να επιλέξετε "Timer On" και ο Timer είναι τώρα

σειρά.

9. Σε κατάσταση αναμονής, το εικονίδιο χρονοδιακόπτη θα εμφανιστεί στην οθόνη για να δείξει ότι ο χρονοδιακόπτης είναι ενεργοποιημένος.

ΣΗΜΕΙΩΣΗ:

- 1.) Εάν έχει επιλεγεί το "Wake to CD, USB" αλλά δεν έχει εισαχθεί CD, ο συναγερμός θα προεπιλεγεί αυτόματα στο Beeping Alarm όταν φτάσει ο χρόνος αφύπνισης.
- 2.) Για το "Wake to Radio", το σύστημα θα προεπιλεγεί στον τελευταίο ραδιοφωνικό σταθμό FM που ακούστηκε πριν απενεργοποιηθεί.
- 3.) Ο συναγερμός crescendo θα αυξηθεί στο επίπεδο έντασης που έχετε ορίσει.

ΛΕΙΤΟΥΡΓΙΑ ΕΝΕΡΓΟΠΟΙΗΜΕΝΟΥ / ΕΝΕΡΓΟΥ ΕΝΕΡΓΕΙΟΥ

1. Για να ενεργοποιήσετε το ALARM, πατήστε το κουμπί TIMER (B13) μία φορά και το εικονίδιο συναγερμού θα εμφανιστεί στην οθόνη LCD.
2. Ακυρώστε τη λειτουργία ALARM πατώντας ξανά το κουμπί TIMER (B13). Το εικονίδιο ζυπνητηριού θα σβήσει.

Ξυπνήστε με συναγερμό ραδιοφώνου, CD, USB ή BUZZER

- Όταν συμπληρωθεί ο χρόνος αφύπνισης, ο συναγερμός ήχου CD, USB ή ραδιοφώνου θα ηχήσει για 60 λεπτά και στη συνέχεια θα σβήσει και θα επαναφερθεί για την επόμενη ημέρα (χωρίς να πατήσετε το κουμπί αναβολής).
- Για να σταματήσετε τον συναγερμό αμέσως μετά τον ήχο, πατήστε το κουμπί POWER / STANDBY (A1, B1) στο τηλεχειριστήριο ή στην κύρια μονάδα μία φορά. Επαναφέρεται για την επόμενη μέρα.
- Για να ακυρώσετε το συναγερμό της επόμενης ημέρας, πατήστε το πλήκτρο TIMER (B13) μία φορά, το εικονίδιο ALARM σβήνει.

ΛΕΙΤΟΥΡΓΙΑ ΡΑΔΙΟΥ

1. Πατήστε το κουμπί POWER / STANDBY (A1, B1) στην κύρια μονάδα ή στο τηλεχειριστήριο για να ενεργοποιήσετε τη μονάδα.
2. Πατήστε το κουμπί SOURCE (A1, B11) στην κύρια μονάδα ή στο τηλεχειριστήριο για να επιλέξετε τη λειτουργία FM, στην οθόνη εμφανίζεται η συχνότητα ραδιοφώνου FM.
3. Για να συντονιστείτε χειροκίνητα σε έναν συγκεκριμένο ραδιοφωνικό σταθμό, πατήστε το Track Down, Track up (A10, A11, B8, B18) είτε

- στην κύρια μονάδα είτε στο τηλεχειριστήριο επανειλημμένα. Χρησιμοποιήστε τη μέθοδο χειροκίνητου συντονισμού για συντονισμό σε πιο αδύναμους σταθμούς που παρακλιούνται κατά τη διάρκεια του Αυτόματου συντονισμού.
4. Για να συντονιστείτε αυτόματα στον επόμενο διαθέσιμο ραδιοφωνικό στάθμο, πατήστε και κρατήστε πατημένο το κουμπί Track Down (A10, A11, B8, B18) στην κύρια μονάδα ή το τηλεχειριστήριο για 1-2 δευτερόλεπτα έως ότου αρχίσει η σάρωση της ανάλυσης συχνότητας στην οθόνη και στη συνέχεια αφήστε το κουμπί. Ο δέκτης θα σταματήσει τη σάρωση όταν λάβει τον επόμενο σταθμό μετάδοσης επαρκούς ισχύος σήματος.
5. Πατήστε τον έλεγχο έντασης στην κύρια μονάδα ή στο τηλεχειριστήριο για να ρυθμίσετε τον έλεγχο έντασης στο επιθυμητό επίπεδο έντασης.

Στερεοφωνική λήψη FM / FM

Όταν ακούτε ραδιόφωνο FM, πατήστε το πλήκτρο ST / MONO (B16) στο τηλεχειριστήριο για εναλλαγή μεταξύ στερεοφωνικής και μονοφωνικής λειτουργίας. Το στερεοφωνικό εικονίδιο FM "ST" θα εμφανιστεί στην οθόνη εάν η μονάδα βρίσκεται σε στερεοφωνική λειτουργία. Είναι προτιμότερο να λαμβάνετε το πρόγραμμα μονοφωνικά όταν λαμβάνετε έναν αδύναμο σταθμό.

ΣΥΜΒΟΥΛΕΣ ΓΙΑ ΤΗΝ ΚΑΛΥΤΕΡΗ ΠΑΡΑΛΑΒΗ:

FM - Για καλύτερη λήψη FM, η κεραία σύρματος FM βρίσκεται στο πίσω μέρος της μονάδας πρέπει να είναι πλήρως ξετυλιγμένο και να επεκταθεί.

ΣΗΜΕΙΩΣΗ: Ο αυτόματος συντονισμός εξαρτάται από την ισχύ του σήματος του σταθμού εκπομπής, επομένως οι αδύναμοι σταθμοί ενδέχεται να παραλειφθούν. Μπορείτε να συντονίσετε χειροκίνητα για να βρείτε τους αδύναμους σταθμούς εάν παραλείψετε έναν σταθμό. Με ισχυρά σήματα, ο δέκτης μπορεί να σταματήσει πριν φτάσει στην πραγματική συχνότητα μετάδοσης, οπότε ίσως χρειαστεί να συντονίσετε χειροκίνητα για την καλύτερη λήψη.

ΠΡΟΚΑΤΑΡΚΤΙΚΟΙ ΡΑΔΙΟΙ ΣΤΑΘΜΟΙ

1. Πατήστε το κουμπί POWER / STANDBY (A1, B1) στην κύρια μονάδα ή στο τηλεχειριστήριο για να ενεργοποιήσετε τη μονάδα.
2. Πατήστε το κουμπί SOURCE (A1, B11) στην κύρια μονάδα ή στο τηλεχειριστήριο για να επιλέξετε τη λειτουργία ραδιοφώνου FM.
3. Πατήστε και κρατήστε πατημένο το κουμπί Track Down, Track up (A10, A11, B8, B18) στην κύρια μονάδα ή στο τηλεχειριστήριο έως ότου αρχίσει η σάρωση της ανάλυσης συχνότητας στην οθόνη και στη συνέχεια αφήστε το κουμπί για αυτόματη αναζήτηση και προεπιλεγμένα κανάλια προγράμματος. Το "PROG" εμφανίζεται στην οθόνη και αναβοσβήνει. Η αυτόματη αναζήτηση και το πρόγραμμα θα σταματήσουν στο P01 αφού ολοκληρωθεί η σάρωση, το "PROG" εμφανίζεται στην οθόνη σταθερά.
Σημείωση: Εάν τα κανάλια που είναι αποθηκευμένα κατά τη διάρκεια της αυτόματης αναζήτησης και προγραμματισμένων προκαθορισμένων ρυθμίσεων δεν είναι αυτά που θέλετε να αποθηκεύσετε, χρησιμοποιήστε την παρακάτω μέθοδο για τη μη αυτόματη αποθήκευση προεπιλογών ραδιοφώνου.
4. Συντονιστείτε στον επιθυμητό ραδιοφωνικό σταθμό είτε με τη μέθοδο "χειροκίνητη" είτε με "αυτόματη" ρύθμιση.
5. Πατήστε το PROGRAMMA . (B3) στο τηλεχειριστήριο, τον επόμενο διαθέσιμο προεπιλεγμένο αριθμό μνήμης και ένα PROG που αναβοσβήνει. Το εικονίδιο (B3) θα εμφανιστεί στην οθόνη LCD. (Σημείωση: Το "P01" θα εμφανιστεί στην οθόνη εάν προγραμματίζετε την προεπιλογή για πρώτη φορά)
6. Πατήστε το PRE. Κουμπί (B15, B19) στην κύρια μονάδα ή στο τηλεχειριστήριο για να επιλέξετε τον προεπιλεγμένο αριθμό στον οποίο θέλετε να εκχωρήσετε το σταθμό.
7. Πατήστε το PROGRAMMA . (B3) Κουμπί για επιβεβαίωση της ρύθμισης.
8. Επαναλάβετε τα παραπάνω βήματα 4 - 8 για να ρυθμίσετε έως και 30 σταθμούς FM.

ΥΠΕΝΘΥΜΙΖΟΝΤΑΙ ΠΡΟΚΑΤΑΡΚΤΙΚΑ ΜΝΗΜΗ ΚΑΝΑΛΙΑ

Στη λειτουργία ραδιοφώνου, ανακαλέστε τα προκαθορισμένα κανάλια πατώντας το PRE. Κουμπί (B15, B19) στο τηλεχειριστήριο επανειλημμένα.

ΛΕΙΤΟΥΡΓΙΑ CD PLAYER

Σημείωση:

1. Αυτό το CD player δεν θα αναπαράγει μόνο εμπορικά CD, αλλά και αυτο-μεταγλωτισμένους δίσκους CD-R / RW, MP3. Μην επιχειρήσετε να παίξετε CD-ROM, CDD, VCD, DVD ή CD υπολογιστή.
2. Το MP3 είναι μια μορφή συμπίεσης. Πρόκειται για ένα αρκτικόλεξο που σημαίνει MPEG Audio Layer 3. Το MP3 είναι ένας τύπος κωδικού ήχου που επεξεργάζεται με σημαντική συμπίεση από την αρχική πηγή ήχου με πολύ μικρή απώλεια ποιότητας ήχου.
 - Αυτό το σύστημα υποστηρίζει αρχεία MPEG 1 Layer 3 και VBR .
 - Κατά την αναπαραγωγή αρχείων VBR , ο μετρητής χρόνου στην οθόνη ενδέχεται να διαφέρει από τον πραγματικό χρόνο αναπαραγωγής.
 - Ο ρυθμός bit που υποστηρίζεται από MP3 είναι 32 ~ 320 kbps

ΔΙΑΒΑΣΤΕ ΑΥΤΕΣ ΣΗΜΑΝΤΙΚΕΣ ΠΛΗΡΟΦΟΡΙΕΣ:

Οι μηχανισμοί CD που χρησιμοποιούνται σε τέτοιες συσκευές έχουν σχεδιαστεί για να διαβάζουν όλα τα εμπορικά CD. Θα διαβάσει επίσης αυτο-μεταγλωτισμένους δίσκους CD-R / CD-RW, MP3, αλλά μπορεί να χρειαστούν έως και 10 δευτερόλεπτα για να ξεκινήσει η πραγματική αναπαραγωγή. Εάν η αναπαραγωγή δεν ξεκινήσει, πιθανότατα οφείλεται στην ποιότητα του CD-R / RW , του δίσκου MP3 ή / και της συμβατότητας του λογισμικού συλλογής CD. Ο κατασκευαστής δεν φέρει καμία ευθύνη για την ποιότητα αναπαραγωγής δίσκων CD-R / RW , Mp3.

Μην τοποθετείτε ετικέτα ή σφραγίδα και στις δύο πλευρές του δίσκου CD-R / RW, MP3. Μπορεί να προκαλέσει δυσλειτουργία.

ΑΝΑΠΑΡΑΓΩΓΗ CD

1. Πατήστε το κουμπί POWER / STANDBY (A1, B1) στην κύρια μονάδα ή στο τηλεχειριστήριο για να ενεργοποιήσετε τη μονάδα.
2. Πατήστε το κουμπί SOURCE (A1, B11) στο τηλεχειριστήριο ή την κύρια μονάδα για να επιλέξετε τη λειτουργία CD και, στη συνέχεια, πατήστε το Άνοιγμα του διαμερίσματος δίσκου.
3. Τοποθετήστε ένα CD ήχου στον κεντρικό άξονα με την πλευρά της ετικέτας να βλέπει προς την πόρτα του CD. Κλείστε τη θήκη του δίσκου.
4. Η μονάδα αρχίζει να διαβάζει το δίσκο, στην οθόνη εμφανίζεται η ένδειξη "----" και αναβοσβήνει. Μετά από λίγα δευτερόλεπτα, ο συνολικός αριθμός κομματιών εμφανίζεται ένα δευτερόλεπτο και στη συνέχεια ο συνολικός χρόνος του CD θα εμφανιστεί στην οθόνη LCD.
5. Πατήστε το κουμπί PLAY / PAUSE (A9, B22) στην κύρια μονάδα ή στο τηλεχειριστήριο, στην οθόνη εμφανίζεται η ένδειξη PLAY, το CD θα αρχίσει να παίζει από το πρώτο κομμάτι.
6. Πατήστε τον έλεγχο έντασης Ρυθμίστε την ένταση. στην κύρια μονάδα ή στο τηλεχειριστήριο για προσαρμογή στο επιθυμητό επίπεδο έντασης.

7. Για παύση της αναπαραγωγής, πατήστε το κουμπί PLAY / PAUSE (A9, B22) στην κύρια μονάδα ή στο τηλεχειριστήριο. Ο χρόνος κομματιού θα τεθεί σε παύση και η ένδειξη PAUSE θα εμφανιστεί στην οθόνη. Για να συνεχίσετε την αναπαραγωγή, πατήστε ξανά το κουμπί CD PLAY / PAUSE (A9, B22).
8. Μπορείτε να επιλέξετε να παίξετε το αγαπημένο σας κομμάτι απευθείας πατώντας είτε το Track Down, Track up (A10, A11, B8, B18). Η οθόνη LCD θα δείξει τον σωστό αριθμό κομματιού που έχει επιλεγεί.
9. Για να εντοπίσετε μια συγκεκριμένη ενότητα μέσα σε ένα κομμάτι, πατήστε και κρατήστε πατημένο το Track Down, Track up (A10, A11, B8, B18) μέχρι να βρεθεί η ενότητα. Αφήστε το κουμπί για να συνεχίσετε να παίζετε την επιλογή σας.
10. Για να σταματήσετε την αναπαραγωγή, πατήστε το κουμπί STOP (A8, B25).

ΔΙΑΔΙΚΑΣΙΑ ΑΝΑΠΑΡΑΓΩΓΗΣ MP3 ΔΙΣΚΟΥ

Για αναπαραγωγή CD-R / RW, Mp3

1. Πατήστε το κουμπί SOURCE (A1, B11) στο τηλεχειριστήριο και τοποθετήστε ένα δίσκο Mp3.
 2. Πατήστε το κουμπί FOLDER (B15, B19) για να επιλέξετε τον επιθυμητό φάκελο αναπαραγωγής.
 3. Επιλέξτε το επιθυμητό αρχείο για αναπαραγωγή πατώντας το κουμπί Track Down, Track up (A10, A11, B8, B18).
 4. Πατήστε το PLAY / PAUSE (A9, B22). Θα ξεκινήσει η αναπαραγωγή και θα εμφανιστεί το όνομα του αρχείου.
- Σε περίπτωση αναπαραγωγής με ενεργοποιημένη τη λειτουργία φακέλου, πατήστε το κουμπί FOLDER (B15, B19) και ο φάκελος μπορεί να επιλεγεί ακόμα κι αν βρίσκεται σε λειτουργία αναπαραγωγής / παύσης. Θα συνεχίσει τη λειτουργία αναπαραγωγής / παύσης στο 1ο κομμάτι του επιλεγμένου φακέλου.

ΓΙΑ ΝΑ ΠΑΙΞΕΤΕ ΠΙΣΩ USB / MP3 ΜΕ ΦΑΚΕΛΟ

1. Πατήστε το κουμπί SOURCE (A1, B11) στο τηλεχειριστήριο ή το κουμπί SOURCE (A1, B11) επανειλημμένα στην κύρια μονάδα για να επιλέξετε τη λειτουργία USB. Συνδέστε τη συσκευή μνήμης USB που διαθέτει αρχεία μορφής MP3 στη μονάδα. Όταν η μνήμη USB είναι συνδεδεμένη στην κύρια μονάδα, θα εμφανιστούν οι πληροφορίες της συσκευής.
2. Πατήστε το κουμπί FOLDER (B15, B19) για να επιλέξετε τον επιθυμητό φάκελο αναπαραγωγής. Για να ξεκινήσετε την αναπαραγωγή με ενεργοποιημένη τη λειτουργία φακέλου, προχωρήστε στο βήμα.
3. Επιλέξτε το επιθυμητό αρχείο για αναπαραγωγή πατώντας το κουμπί Track Down, Track up (A10, A11, B8, B18).
4. Πατήστε το PLAY / PAUSE (A9, B22). Θα ξεκινήσει η αναπαραγωγή και θα εμφανιστεί το όνομα του αρχείου.

ΣΗΜΕΙΩΣΗ:

- Αυτό το προϊόν δεν είναι συμβατό με συστήματα αρχείων MTP και AAC από συσκευή μαζικής αποθήκευσης USB ή συσκευή αναπαραγωγής Mp3.
- Αυτή η μονάδα υποστηρίζει FAT16 και FAT32, αλλά ορισμένα μέσα αποθήκευσης USB ενδέχεται να μην υποστηρίζουν και τα δύο συστήματα αρχείων. Για λεπτομέρειες, ανατρέξτε στο εγχειρίδιο λειτουργίας της εν λόγω συσκευής αποθήκευσης USB ή επικοινωνήστε με τον κατασκευαστή.

ΛΕΙΤΟΥΡΓΙΑ ΠΑΡΑΚΟΛΟΥΘΗΣΗΣ ΚΑΙ ΑΝΑΖΗΤΗΣΗΣ

1. Κατά τη λειτουργία αναπαραγωγής ή παύσης, πατήστε το κουμπί Track Down, Track up (A10, A11, B8, B18) για μετάβαση στο επόμενο κομμάτι ή επιστροφή στην αρχή του τρέχοντος κομματιού.
2. Κατά την αναπαραγωγή, πατήστε και κρατήστε πατημένο το Track Down, Track up (A10, A11, B8, B18) για αναζήτηση εντός του τρέχοντος κομματιού με ακουστική αναπαραγωγή υψηλής ταχύτητας.

ΔΙΑΦΟΡΕΣ ΛΕΙΤΟΥΡΓΙΕΣ ΠΑΙΧΝΙΔΙΟΥ (ΜΟΝΟ ΕΛΕΓΧΟΣ ΕΛΕΓΧΟΥ

Πατήστε το κουμπί REPEAT (B6) στο τηλεχειριστήριο επανειλημμένα για να επιλέξετε διαφορετικούς τρόπους αναπαραγωγής κατά την αναπαραγωγή του CD.

Κατά την αναπαραγωγή CD, οι τρόποι αναπαραγωγής εμφανίζονται ως εξής:

Επαναλαμβάνω
Επαναλάβετε όλα
Κανονικός

REPEAT 1 - το κομμάτι που παίζεται και θα επαναλαμβάνεται συνεχώς. Επανάληψη ενός εικονιδίου "REPEAT 1" εμφανίζεται στην οθόνη.
REPEAT ALL - όλα τα κομμάτια θα επαναλαμβάνονται συνεχώς. Επανάληψη όλων του εικονιδίου "REPEAT ALL" εμφανίζεται στην οθόνη.

ΠΑΙΧΝΙΔΙ RANDOM

Όταν πατηθεί το κουμπί RANDOM (B20) τρία, η ένδειξη " RDM " θα ανάψει στην οθόνη LCD. Τα κομμάτια του δίσκου μπορούν να αναπαραχθούν αυτόματα σε τυχαία σειρά.

Για ακύρωση τυχαίας αναπαραγωγής:

Πατήστε ξανά το κουμπί RANDOM (B20). Η ένδειξη " RDM " θα εξαφανιστεί.

ΣΗΜΕΙΩΣΗ:

Εάν πατήσετε το κουμπί κατά τη διάρκεια της τυχαίας αναπαραγωγής, μπορείτε να μετακινηθείτε στο κομμάτι που επιλέξατε στη συνέχεια με την τυχαία λειτουργία. Από την άλλη πλευρά, το κουμπί δεν σας επιτρέπει να μετακινηθείτε στο προηγούμενο κομμάτι. Θα βρεθεί η αρχή του κομματιού που παίζεται.

Στην τυχαία αναπαραγωγή, η μονάδα θα επιλέξει και θα αναπαράγει αυτόματα κομμάτια. (Δεν μπορείτε να επιλέξετε τη σειρά των κομματιών.)

ΕΙΣΑΓΩΓΗ ΠΑΡΟΥΣΙΑΣΗΣ

1. Πατήστε INTRO (B20) στο τηλεχειριστήριο. Η ένδειξη "INTRO (B20)" θα εμφανιστεί στην οθόνη.

Η μονάδα θα παίξει τα πρώτα 10 δευτερόλεπτα κάθε κομματιού.

2. Πατήστε ξανά INTRO (B20) στο τηλεχειριστήριο για να συνεχίσετε την κανονική αναπαραγωγή.

ΠΡΟΓΡΑΜΜΑΤΙΣΜΟΣ ΠΑΡΑΚΟΛΟΥΘΗΣΗΣ ΠΑΡΑΚΟΛΟΥΘΗΣΗΣ

Αυτή η λειτουργία επιτρέπει την αναπαραγωγή των κομματιών με προγραμματισμένη ακολουθία. Ο χρήστης μπορεί να προγραμματίσει έως και 32 κομμάτια σε λειτουργία CD ή 99 κομμάτια σε MP3 σε οποιοδήποτε

ΣΗΜΕΙΩΣΗ: Το πρόγραμμα μπορεί να ρυθμιστεί μόνο σε λειτουργία STOP.

1. Πατήστε το ΠΡΟΓΡΑΜΜΑ . Κομπτί (B3) στην κύρια μονάδα ή στο τηλεχειριστήριο, εμφανίζεται στην οθόνη ο αριθμός προγράμματος "1", το εικονίδιο "PROG" και ο αριθμός κομματιού CD "- -" αναβοσβήνουν επίσης στην οθόνη LCD. (Σημείωση: "1 -" θα εμφανίζεται στην οθόνη εάν προγραμματίσετε για πρώτη φορά).

2. Χρησιμοποιήστε το Track Down, Track up (A10, A11, B8, B18) στην κύρια μονάδα ή στο τηλεχειριστήριο για να επιλέξετε το επιθυμητό κομμάτι. Ο αριθμός κομματιού θα εμφανίζεται στην οθόνη.

3. Πατήστε το ΠΡΟΓΡΑΜΜΑ . Κομπτί (B3) στην κύρια μονάδα ή στο τηλεχειριστήριο για να αποθηκεύσετε το επιλεγμένο κομμάτι στη μνήμη, ο επόμενος αριθμός προγράμματος θα προχωρήσει ένα (δηλαδή "2") στην οθόνη LCD.

4. Επανάλαβε τα βήματα 2 έως 3 για να αποθηκεύσετε περισσότερα κομμάτια στη μνήμη. Μπορείτε να αποθηκεύσετε έως και CD 32 κομμάτια, MP3 99 κομμάτια. Η οθόνη θα δείξει "FUL" μετά τον προγραμματισμό κομματιών.

5. Πατήστε το PLAY / PAUSE (A9, B22), στην κύρια μονάδα ή στο τηλεχειριστήριο για να ξεκινήσει η αναπαραγωγή του CD με την προγραμματισμένη σειρά.

6. Πατήστε το κομπτί REPEAT (B6) στο τηλεχειριστήριο για να επιλέξετε Επανάληψη 1 / Όλα εάν είναι απαραίτητο.

7. Για να σταματήσετε την αναπαραγωγή, πατήστε το κομπτί STOP (A8, B25) στην κύρια μονάδα ή στο τηλεχειριστήριο.

Για να ακυρώσετε την αναπαραγωγή του προγράμματος, πατήστε το κομπτί STOP (A8, B25) στην κύρια μονάδα ή στο τηλεχειριστήριο δύο φορές, το εικονίδιο "PROG" εξαφανίζεται από την οθόνη.

ΛΕΙΤΟΥΡΓΙΑ BLUETOOTH

Πατήστε το κομπτί POWER / STANDBY (A1, B1) για να ενεργοποιήσετε τη μονάδα και ακολουθήστε τις παρακάτω οδηγίες για να συνδεθείτε μέσω Bluetooth.

ΣΥΝΔΕΣΗ (Σύνδεση) ενός BLUETOOTH ΕΝΕΡΓΟΠΟΙΗΜΕΝΟΥ τηλεφώνου Ή ΑΛΛΗΣ BLUETOOTH ΕΝΕΡΓΟΠΟΙΗΜΕΝΗΣ ΣΥΣΚΕΥΗΣ στη συσκευή

Εάν το CR 1173 δεν έχει συνδεθεί ποτέ με μια συσκευή Bluetooth στο παρελθόν. Πρέπει να ακολουθήσετε τις παρακάτω οδηγίες σύζευξης για να συνδέσετε τη συσκευή με τη συσκευή σας Bluetooth.

1. Πατήστε το κομπτί POWER / STANDBY (A1, B1) στην κύρια μονάδα ή στο τηλεχειριστήριο για να ενεργοποιήσετε τη μονάδα.

2. Πατήστε το κομπτί SOURCE (A1, B11) στο κύριο ή στο τηλεχειριστήριο για να επιλέξετε τη λειτουργία Bluetooth, στην οθόνη εμφανίζεται το μήνυμα "bt" Bluetooth και αναβοσβήνει.

3. Εάν το CR 1173 δεν έχει συζευχθεί ποτέ με μια συσκευή Bluetooth πριν ή δεν μπορεί να βρει την τελευταία αντιστοιχισμένη συσκευή, το "bt" που αναβοσβήνει στην οθόνη LCD θα δείξει ότι το XXX βρίσκεται σε λειτουργία αναζήτησης. Πρέπει να ακολουθήσετε τις παρακάτω οδηγίες σύζευξης για να συνδέσετε τη συσκευή με τη συσκευή σας Bluetooth.

· Ενεργοποιήστε τη λειτουργία Bluetooth της συσκευής Bluetooth και ενεργοποιήστε τη λειτουργία αναζήτησης ή σάρωσης για να βρείτε το CR 1173.

· Επιλέξτε "CR 1173" από τη λίστα συσκευών όταν εμφανίζεται στην οθόνη της συσκευής σας. Εάν απαιτείται, εισαγάγετε τον κωδικό πρόσβασης "0000" για να συνδέσετε (σύνδεση) το CR 1173 με τη συσκευή σας.

4. Μετά την επιτυχή σύζευξη (σύνδεση), η οθόνη θα αλλάξει για να δείχνει σταθερά το "bt", το εικονίδιο Bluetooth θα εμφανίζεται επίσης στην οθόνη. Μπορείτε να ξεκινήσετε την αναπαραγωγή μουσικής από τη συσκευή Bluetooth ασύρματα στο ηχείο.

5. Αφού επιλέξετε το απαιτημένο σας τραγούδι, πατήστε το κομπτί PLAY PAUSE (B22, A9) στην μονάδα ή στο τηλεχειριστήριο για αναπαραγωγή ή παύση του τραγουδιού.

6. Πατήστε τον ελεγχό έντασης του κύριου ηχείου ή στο τηλεχειριστήριο για να προσαρμόσετε στο επιθυμητό επίπεδο έντασης.

7. Πατήστε το κομπτί Track Down, Track up (B8, B9) στην κύρια μονάδα ή στο τηλεχειριστήριο για μετάβαση στο προηγούμενο ή το επόμενο τραγούδι.

8. Εάν θέλετε να αντιστοιχίσετε τη συσκευή με άλλη συσκευή με δυνατότητα Bluetooth, πατήστε και κρατήστε πατημένο το κομπτί PAIR (B10) για 3 δευτερόλεπτα ή απενεργοποιήστε τη λειτουργία Bluetooth της συσκευής που έχει αντιστοιχιστεί με τη συσκευή και επανάλαβε το βήμα 3 παραπάνω.

Σημειώσεις:

1.) Ανατρέξτε στο εγχειρίδιο του κινητού σας τηλεφώνου, του υπολογιστή tablet, του υπολογιστή ή άλλων συσκευών με δυνατότητα Bluetooth για λειτουργία Bluetooth, καθώς μπορεί να διαφέρει από μοντέλο σε μοντέλο.

2.) Εάν η συσκευή σας με δυνατότητα Bluetooth δεν υποστηρίζει προφίλ A2DP, δεν θα αναπαράγει τη μουσική μέσω του ηχείου, ακόμη και αν είναι συνδεδεμένη (συνδεδεμένη).

3.) Εάν κάνετε ζεύξη (σύνδεση) του υπολογιστή σας με τη μονάδα χρησιμοποιώντας Bluetooth, ίσως χρειαστεί να ορίσετε το ηχείο ως την προεπιλεγμένη συσκευή ήχου του υπολογιστή σας.

ΛΕΙΤΟΥΡΓΙΑ ΑΥΞΗΣΙΟΥ ΕΙΣΟΔΟΥ

Αυτή η μονάδα διαθέτει μια βοηθητική υποδοχή εισόδου σήματος ήχου για τη σύνδεση εξωτερικών συσκευών ήχου, όπως συσκευές αναπαραγωγής MP3, ψηφιακή συσκευή ήχου και να τις ακούτε μέσω των ηχείων αυτής της μονάδας.

1. Χρησιμοποιήστε ένα καλώδιο ήχου (δεν περιλαμβάνεται) με ένα στερεοφωνικό βύσμα 3,5 mm σε κάθε άκρο του καλωδίου.

2. Συνδέστε το ένα άκρο στην υποδοχή AUX IN JACK (A5) στην κύρια μονάδα και το άλλο άκρο του καλωδίου στην υποδοχή Line-out ή στην υποδοχή ακουστικών της εξωτερικής συσκευής ήχου.

3. Ενεργοποιήστε τη μονάδα και την εξωτερική συσκευή ήχου.

4. Πατήστε το κομπτί SOURCE (A1, B11) στο κύριο ή στο τηλεχειριστήριο για να επιλέξετε τη λειτουργία AUX, το εικονίδιο "AUX" ενεργοποιείται, η οθόνη εμφανίζει το μήνυμα "AUX".

5. Το επίπεδο έντασης μπορεί τώρα να ελεγχθεί μέσω της κύριας μονάδας. Λειτουργήστε όλες τις άλλες λειτουργίες στη βοηθητική συσκευή ως συνήθως.

Σημείωση:

· Εάν συνδέσετε αυτή τη μονάδα στο Jack-Out Jack της εξωτερικής σας συσκευής, τότε πρέπει να ρυθμίσετε μόνο τον έλεγχο έντασης της μονάδας. Εάν συνδέσετε την υποδοχή ακουστικών της εξωτερικής σας συσκευής, τότε ίσως χρειαστεί να προσαρμόσετε τόσο τα χειριστήρια έντασης της εξωτερικής σας συσκευής όσο και αυτήν τη μονάδα για να λάβετε την επιθυμητή ρύθμιση έντασης.

PRESET EQ (ΜΟΝΟ ΜΟΝΟ ΕΛΕΓΧΟΣ)

Αυτή η μονάδα παρέχει 4 διαφορετικές λειτουργίες EQ για να βελτιώσετε την εμπειρία ακρόασης. Μπορείτε να επιλέξετε το επιθυμητό εφέ πατώντας το κομπτί EQ (B5) στο τηλεχειριστήριο επανειλημμένα με την ακόλουθη ακολουθία:

ΚΟΥΜΠΙ ΣΤΑΣΗΣ (ΜΟΝΟ ΑΠΟΚΛΕΙΣΤΙΚΟΣ ΕΛΕΓΧΟΣ)

· Πατήστε το κουμπί MUTE (B21) στο τηλεχειριστήριο για προσωρινή σίγαση της εξόδου ήχου από το ηχείο. Το "V 00" θα εμφανιστεί στην οθόνη.

· Πατήστε ξανά το κουμπί MUTE (B21) ή το VOLUME CONTROL (B23, A12) για να συνεχίσετε την κανονική αναπαραγωγή των ηχείων.

ΛΕΙΤΟΥΡΓΙΕΣ SLEEP (ΜΟΝΟ ΕΛΕΓΧΟΣ ΕΛΕΓΧΟΥ)

Ο χρονοδιακόπτης ύπνου σας επιτρέπει να απενεργοποιήσετε τη μονάδα μετά την επίτευξη ενός καθορισμένου χρόνου.

1. Για να ενεργοποιήσετε το χρονοδιακόπτη ύπνου, ενεργοποιήστε τη μονάδα και πατήστε το κουμπί SOURCE (A1, B11) για να επιλέξετε ραδιόφωνο FM, CD, USB, Bluetooth ή να ακούτε μουσική μέσω AUX IN.
2. Πατήστε το κουμπί SLEEP (B14) στο τηλεχειριστήριο, στην οθόνη εμφανίζεται το εικονίδιο ύπνου "SLEEP".
3. Πατήστε επανειλημμένα το κουμπί SLEEP (B14) για να επιλέξετε χρόνο ύπνου. Η μονάδα θα απενεργοποιηθεί μετά από 10, 20, 30, 40, 50, 60, 70, 80 ή 90 λεπτά. Περιμένετε 3 δευτερόλεπτα μετά την επιλογή σας για να επιβεβαιώσετε την επιλογή η μονάδα, η μονάδα θα παίζει για το επιλεγμένο χρονικό διάστημα και στη συνέχεια θα απενεργοποιηθεί αυτόματα.
4. Για να ακυρώσετε το χρονοδιακόπτη ύπνου, πατήστε επανειλημμένα το κουμπί SLEEP (B14) έως ότου ο χρονοδιακόπτης δείχνει „OFF”, στην οθόνη εμφανίζεται το εικονίδιο ύπνου "SLEEP".
5. Για να απενεργοποιήσετε τη μονάδα πριν από το επιλεγμένο χρονικό διάστημα, πατήστε το κουμπί POWER / STANDBY (A1, B1) ανά πάσα στιγμή.

Σημειώσεις:

- 1.) Για να ελέγξετε τον υπολειπόμενο χρόνο ύπνου, πατήστε το κουμπί SLEEP (B14) μία φορά.
- 2.) Εάν αποκοιμηθείτε από μουσική από εξωτερική συσκευή που είναι συνδεδεμένη με την είσοδο AUX, ο χρονοδιακόπτης ύπνου θα διακόψει την τροφοδοσία σε αυτό το σύστημα, αλλά δεν θα απενεργοποιήσει την εξωτερική συσκευή.

ΧΡΗΣΗ ΑΚΟΥΣΤΙΚΩΝ (ΔΕΝ ΠΕΡΙΛΑΜΒΑΝΟΝΤΑΙ)

Η εισαγωγή του βύσματος των ακουστικών σας στο βύσμα στερεοφωνικών ακουστικών (A17) θα σας επιτρέψει να ακούσετε μουσική CD ή ραδιόφωνο ιδιωτικά. Όταν χρησιμοποιείτε ακουστικά, τα ενσωματωμένα ηχεία θα αποσυνδεθούν.

ΔΙΑΒΑΣΤΕ ΑΥΤΕΣ ΣΗΜΑΝΤΙΚΕΣ ΠΛΗΡΟΦΟΡΙΕΣ ΠΡΙΝ ΧΡΗΣΙΜΟΠΟΙΗΣΕΤΕ ΤΑ ΑΚΟΥΣΤΙΚΑ ΣΑΣ

1. Αποφύγετε την εκταταμένη αναπαραγωγή σε πολύ μεγάλη ένταση, καθώς μπορεί να επηρεάσει την ακοή σας.
2. Εάν αισθανθείτε κούδονισμα στα αυτιά σας, μειώστε την ένταση ή απενεργοποιήστε τη συσκευή σας.
3. Διατηρήστε την ένταση σε λογικό επίπεδο, ακόμη και αν το ακουστικό σας είναι ανοιχτού τύπου σχεδιασμένο για να σας επιτρέπει να ακούτε εξωτερικούς ήχους. Λάβετε υπόψη ότι η υπερβολικά υψηλή ένταση ενδέχεται να εξακολουθεί να αποκλείει εξωτερικούς ήχους. Επαναφορά

Εάν το σύστημα δεν ανταποκρίνεται ή έχει ακανόνιστη λειτουργία, ενδέχεται να έχετε αντιμετωπίσει ηλεκτροστατική εκφόρτιση (ESD) ή κύμα ισχύος που ενεργοποίησε τον εξωτερικό υπολογιστή να κλείσει αυτόματα. Εάν συμβεί αυτό, αποσυνδέστε το καλώδιο AC από την πηγή τροφοδοσίας, περιμένετε 60 δευτερόλεπτα και, στη συνέχεια, συνδέστε ξανά το καλώδιο AC στην πηγή τροφοδοσίας. Η μονάδα θα γίνει επαναφορά, πρέπει να ρυθμίσετε το ρολόι, το ζυγνητήρι και τα προεπιλεγμένα ραδιοφωνικά κανάλια.

ΦΡΟΝΤΙΔΑ ΚΑΙ ΣΥΝΤΗΡΗΣΗ

1. Μην υποβάλλετε τη μονάδα σε υπερβολική δύναμη, σοκ, σκόνη ή ακραία θερμοκρασία (πάνω από 40C).
2. Μην παραβιάζετε τα εσωτερικά εξαρτήματα της μονάδας.
3. Καθαρίστε τη μονάδα σας με ένα στεγνό πανί. Ο διαλυτής ή το απορρυπαντικό δεν πρέπει ποτέ να χρησιμοποιείται.
4. Αποφύγετε να αφήσετε τη συσκευή σας σε άμεσο ηλιακό φως ή σε ζεστά, υγρά ή σκονισμένα μέρη.
5. Κρατήστε τη συσκευή σας μακριά από συσκευές θέρμανσης και πηγές ηλεκτρικού θορύβου, όπως λαμπτήρες φθορισμού ή κινητήρες.
6. Εάν παρουσιαστούν διακοπές ή διακοπές στη μουσική κατά τη διάρκεια της αναπαραγωγής CD ή εάν το CD δεν αναπαράγεται καθόλου, η κάτω επιφάνεια του ενδέχεται να απαιτεί καθαρισμό. Πριν παίξετε, σκουπίστε το δίσκο από το κέντρο προς τα έξω με ένα καλό μαλακό πανί καθαρισμού.

ΚΑΘΑΡΙΣΜΟΣ ΤΗΣ ΜΟΝΑΔΑΣ

- Για την αποφυγή κινδύνου πυρκαγιάς ή σοκ, αποσυνδέστε τη μονάδα από την πηγή τροφοδοσίας AC κατά τον καθαρισμό.
- Το φινιρίσμα της μονάδας μπορεί να καθαριστεί με ένα πανί σκόνης και να το φροντίσετε όπως τα άλλα έπιπλα. Να είστε προσεκτικοί όταν καθαρίζετε και σκουπίζετε τα πλαστικά μέρη.
- Εάν το περίβλημα σκουπιστεί, σκουπίστε το με ένα μαλακό στεγνό πανί. Μην χρησιμοποιείτε κερί ή σπρέι στιλβωτικής ουσίας στο ντουλάπι.
- Εάν το μπροστινό πλαίσιο λερωθεί ή μουτζουρωθεί με δακτυλικά αποτυπώματα, μπορεί να καθαριστεί με ένα μαλακό πανί ελαφρώς βρεγμένο με ένα ήπιο διάλυμα σαπουνιού και νερού. Ποτέ μην χρησιμοποιείτε λιπαντικά υφάσματα ή γυαλιστικά καθώς αυτά θα καταστρέψουν το φινιρίσμα της μονάδας σας.

ΠΡΟΣΟΧΗ: Μην αφήνετε ποτέ νερό ή άλλα υγρά να εισέλθουν μέσα στη μονάδα κατά τον καθαρισμό

Τεχνικά δεδομένα:

Απαιτήσεις ισχύος:
Κύρια μονάδα: 230V ~ 50Hz
Τηλεχειριστήριο: CR2025 3V
Ενότητα αναπαραγωγής DISC
Σύστημα: Compact disc και ψηφιακό σύστημα ήχου Laser Diode Properties
Διάρκεια εκπομπών: Συνεχής

Έξοδος λέιζερ: Λιγότερο από 44,6 mW (Αυτή η έξοδος είναι η μέτρηση της τιμής σε απόσταση 200 mm από την αντικειμενική επιφάνεια του φακού στο οπτικό μπλοκ παραλαβής με διάφραγμα 7 mm.)

Εύρος συχνότητων

Ενότητα δέκτη FM:

Εύρος συντονισμού: 87,5 MHz-108,0 MHz (βήμα 50 kHz.)

Ισχύς ηχείου: 2x 5W

Max: 28W



φροντίζουμε το φυσικό περιβάλλον. Παρακαλούμε να πετάτε τις συσκευασίες από χαρτόνι στον κάδο ανακύκλωσης απορριμμάτων χαρτιού. Τις σακούλες από πολυαιθυλένιο (PE), απορρίψτε τις στον κάδο ανακύκλωσης πλαστικών. Η φθαρμένη συσκευή πρέπει να απορρίπτεται στο κατάλληλο σημείο, εξαιτίας των επικίνδυνων στοιχείων που περιέχει και τα οποία μπορεί να αποτελέσουν απειλή για το περιβάλλον. Η ηλεκτρική συσκευή πρέπει να απορρίπτεται με τέτοιο τρόπο ώστε να περιοριστεί η επαναχρησιμοποίησή της. Εάν στη συσκευή βρίσκονται μπαταρίες, αυτές πρέπει να αφαιρεθούν και να πεταχτούν σε ξεχωριστό κάδο.

- УСЛОВИ ЗА БЕЗБЕДНОСТ ВАЖНИ ИНСТРУКЦИИ ЗА БЕЗБЕДНОСТ НА КОРИСТЕЊЕ
ВНИМАТЕ ПРОБЛЕМУВАЊЕ И ДА ГИ ЗАДРЖУВАТЕ ЗА ИДНИНАТА РЕФЕРЕНЦА
Гарантните услови се различни, доколку уредот се користи за комерцијални цели.
1. Пред да го користите производот ве молиме внимателно прочитајте и секогаш следете ги следните упатства. Производителот не е одговорен за каква било штета поради каква било злоупотреба.
 2. Производот се користи само во затворени простории. Не користете го производот за било каква намена која не е компатибилна со неговата апликација.
 3. Применливиот напон е 230V, ~ 50Hz. Поради безбедносни причини, не е соодветно да поврзете повеќе уреди со еден штекер.
 4. Ве молиме да бидете внимателни кога користите околу децата. Не дозволувајте децата да си играат со производот. Не дозволувајте деца или луѓе кои не го знаат уредот да го користат без надзор.
 5. WARNING: Овој уред може да го користат деца постари од 8 години и лица со намалени физички, сензорни или ментални способности или лица без искуство или знаење за уредот, само под надзор на лице одговорно за нивната безбедност, или ако биле упатени за безбедно користење на уредот и се свесни за опасностите поврзани со неговото работење. Децата не треба да играат со уредот. Чистењето и одржувањето на уредот не треба да го вршат деца, освен ако не се постари од 8 години и овие активности се вршат под надзор.
 6. Кога ќе завршите со користење на производот, секогаш запомнете нежно да го извадите приклучокот од приклучокот за струја што го држи штекерот со раката. Никогаш не повлечете го кабелот за напојување !!!
 7. Не го ставајте струјниот кабел, приклучокот или целиот уред во водата. Никогаш не го изложувајте производот на атмосферски услови како директна сончева светлина или дожд, итн. Никогаш не го користете производот во влажни услови.
 8. Повторно проверете ја состојбата на кабелот за напојување. Ако кабелот за напојување е оштетен, производот треба да се сврти кон локација за професионална услуга за да се замени, за да се избегнат опасни ситуации.
 9. Не користете го производот со оштетен кабел за напојување или ако тоа било паднато или оштетено на кој било друг начин или ако не работи правилно. Не обидувајте се сами да го поправите дефектниот производ, бидејќи тоа може да доведе до електричен шок. Секогаш вклучете го оштетениот уред на професионална локација за сервис за да ја поправите. Сите поправки може да се извршат само од овластени службени лица. Поправката што е направена погрешно може да предизвика опасни ситуации за корисникот.
 10. Не го ставајте производот на или блиску до топли или топли површини или на кујнски апарати како електричната рерна или гасниот режач.
 11. Не користете го производот близу до запаливи материји.
 12. Не дозволувајте кабелот да виси над работ на шалтер или да допре топли површини.
 13. Не го оставајте производот поврзан со изворот на енергија без надзор. Дури и кога употребата е прекината за кратко време, исклучете ја од мрежата, исклучете ја струјата.
 14. Со цел да се обезбеди дополнителна заштита, се препорачува да се инсталира уред за остаток (RCD) во струјното коло, со резидуална струја не повеќе од 30 mA. Контактирајте професионален електричар во ова прашање.
 15. Избегнувајте да го добиете радио влажно.
 16. Радио може да се избрише само со сува крпа. Не користете вода или течности за чистење.
 17. Радио треба да се чува во сува просторија

ДЕВИЗИЈА:

1. Индикатор за напојување вклучен / исклучен СТАНДИБИ 2. СОРУВАЕ 3. ВРЕМЕ СЕТ / Меморијално копче
4. ТУНЕР КАНАЛ - 5. АУХ ВО 6. USB 7. ТУНЕР CHANNEL +
8. ЦД СТОП БУТТОН / БЛАВНО ПОВЕЕ НА ПЛАТИНАТА
9. ЦД / БЛЕВТОТ ПЛАН / ПАУЗА / РАДИО АВТОРНО ПОБРЗУВАУТЕ
10. ЦД / БЛЕВТУТ СКИПНО ПРЕВОЗНО / ТУНЕ - БУТТОН
11. ЦД / БЛЕВТУТ СКИП СЛЕДНО / ТУНЕ + БУТТОН
12. КОНТРОЛА НА ВОЛУМОТ КНОБ 13. LCD РАЗГОВОР
14. Отворена / затворена копче на ЦД-то 15. ЦД ВРАТА 16. ФМ АНТЕНА
17. АДЕКС НА СВЕТСКО СРЕДНО 18. ПРИРАЧНИК ЗА ЗВИСНИК
20. Адаптер за напојување со еднонасочна струја 21. ВРАТА НА ДЕЛОВНИК ЗА БАТЕРИЈА

РЕМОТ КОНТРОЛА:

1. Индикатор за вклучување / исклучување на моќност 2. Индикатор за димензии на дисек
3. ПРОГ. БУТОН 4. ЦД / УСД-СЛЕДЕ СДЕ на ЦД или УСД или ВРЕМЕ ПРОДОЛУВАЕ НА ПЕТОКОТ, ПОВЕЕТЕ НА ПОВЕЕТО.
5. ЕКВАЛИЗИРАЧКО ПЕЧЕР 6. ИЗВЕДУВАЕ НА ПЕТОКОТ 7. X-BASS BUTTОН 8. TRACK DOWN BUTTОН
9. ЦД / БЛЕВТОТ ПЛАН / ПАУЗА / РАДИО АВТОРНО ПОБРЗУВАУТЕ
10. ЦД / БЛЕВТУТ СКИПНО ПРЕВОЗНО / ТУНЕ - БУТТОН
11. ЦД / БЛЕВТУТ СКИП СЛЕДНО / ТУНЕ + БУТТОН
12. ЦЛОК ПОСТАВ 13. LCD РАЗГОВОР 14. ДОЦА ОТВОРЕНО / ЗАВРШНО ВРАТА
15. ЦД ВРАТА 16. FM АНТЕНА 17. Приклучок за слушалки
18. КОНЕКТОР ЗА ПРАВНИ ЗВУЧНИЦИ 19. ЛЕСНИЧКИ КОНЕКТОР
20. РАНДОМ БУТТОН И ВОВЕСНО ПРИРОДА 21. ВРАТА НА ДЕЛОВНИК НА БАТЕРИЈА
22. BT PLAY / PAUSE BUTTОН 23. VOLUME UP DOWN BUTTОН
24. ЦД ПЛАН / ПАУЗА БУТТОН 25. CD СТОП БЕТОН

СОДРИНА СИСТЕМ

Осигурете се да го исклучите кабелот за напојување со наизменична струја од исклучен теиден штекер пред да направите какви било врски.

Врска за напојување со наизменична струја

Приклучете го кабелот за напојување со наизменична струја во достапен штекер за струја од 230V ~ 50Hz. Осигурете се дека приклучокот е цврсто вметнат во штекерот за наизменична струја.

Инсталирање на батерији за резервна копија на батеријата

1. Извадете ја вратата на батеријата што се наоѓа на дното на главната единица.
2. Следете ги ознаките за поларитет во одделот за батерији и вметнете 2 x AAA батерији (не се вклучени) во двата слот за батерији што се наоѓаат во одделот за батерији.
3. Заменете ја вратата на батеријата.

БЕЛЕШКИ:

- Кога ги заменуваат резервните батерији, не исклучувајте го кабелот за напојување со наизменична струја од валидниот штекер. Ако го сторите тоа, сите тековни датуми и поставките за алармот ќе бидат избришани.
- Ако уредот ќе остане исклучен од приклучок подолг временски период, извадете ги батериите за да избегнете каква било штета што може да настане доколку батериите протекуваат и да предизвикаат корозија.

Далечинска контрола

Далечинскиот управувач работи на една CR2025 3V литиумска батерија (вклучена во далечинскиот управувач). За да го активирате далечинскиот управувач, извадете го јазичето на изолаторот вметнат во просторот за батерији. Ако далечинското работење станува наизменично или незадоволително, заменете ја оригиналната батерија со нова CR2025 3V литиумска батерија.

1. Притиснете надолу на капакот на просторот, извлечете го држачот на батеријата од кутијата за далечински управувач.
2. Заменете ја батеријата проверете дали батеријата е инсталирана правилно. Далечинскиот управувач нема да работи ако батеријата е инсталирана со погрешна поларитет.

ВНИМАНИЕ:

- 1.) Опасност од експлозија ако батеријата не се замени правилно.
- 2.) Заменете ја само со иста или еквивалентна батерија.
- 3.) Вметнете го држачот на батеријата назад во слотот на батеријата.

Вклучување / исклучување на единицата

1. Во режимот Исклучено (чекање), допрете го копчето POWER / STANDBY (A1, B1) на главната единица или далечинскиот управувач за да ја вклучите единицата. Единицата ќе се вклучи, последната избрана икона на режимот за внесување ќе се прикаже на LCD-екранот.
2. За да ја исклучите единицата исклучена (во мирување), повторно допрете го копчето Напојување на енергија / моќност (A1, B1) на главната единица или далечинскиот управувач. LCD-екранот ќе затемни и ќе го прикаже тековното време. Индикаторот за режимот на подготвеност свети.

ПОСТАВУВАЕ НА Часовникот

По вклучувањето на наизменична струја, „00:00“ ќе се појави и ќе започне да трепка на LCD-екранот.

1. Во режимот Power Off (Standby), притиснете и задржете го копчето CLOCK SET (B13) на далечинскиот управувач или главната единица, форматот 24 ЧАС „24H“ ќе се прикаже на екранот.

2. Допрете го копчето Претходно / Следно (B4, B18) на далечинскиот управувач или главната единица за да изберете формат 24 часа ако е потребно. Во спротивно, притиснете го копчето CLOCK SET (B12) за да потврдите формат на часовникот 12 часа и да внесете режим за поставување часовник, бројките за час ќе трепкаат.
3. Допрете го копчето Претходно / Следно (B4, B18) на далечинскиот управувач или главната единица за прилагодување на часот. Притиснете го и држете го копчето за брзо поставување напред / назад.
- Белешка: Осигурете се дека часот е поставен така што индикаторот PM е прикажан правилно.
4. Притиснете го копчето CLOCK SET (B12) на далечинскиот управувач за да го потврдите поставувањето на часовникот, минутните цифри ќе трепкаат за да побараат влез.
5. Допрете го копчето Претходно / Следно (B4, B18) на далечинскиот управувач или главната единица за да ја прилагодите минуата. Притиснете го и држете го копчето за брзо поставување напред / назад.
6. Притиснете го копчето CLOCK SET (B12) на далечинскиот управувач повторно за да ја завршите поставката.

ЗАБЕЛЕШКА: Однапред ќе треба да се постават поставените часовници и радиостаници ако струјата е прекината или во случај на прекин на електрична енергија. „00:00“ ќе се појави и ќе започне да трепка на ЛЦД-екранот за да ве извести дека напојувањето е прекинато и часовникот ќе треба да се ресетира. Следете ги чекорите 1-6 погоре за да го поставите часовникот.

Проверка на часовникот

Единицата ќе го прикаже тековното време во режим на подготвеност. За да го проверите тековното време во режимот Power ON, притиснете и задржете го копчето CLOCK SET (B12) на главната единица или далечинскиот управувач 3 секунди, сегашното време ќе се покаже 5 секунди и потоа ќе се вратите на претходниот екран.

РАБОТЕ ALE НА АЛАРМ (САМО ЗАБЕЛЕШКА КОНТРОЛА) ПОСТАВУВА TNEE НА АЛАРМСКИОТ ЧАС

Оваа функција му овозможува на системот автоматски да се вклучи и да ве разбуди со употреба на звучен аларм, ЦД, USB или BU RADIO.

1. Притиснете и задржете го копчето TIMER (B13) на далечинскиот управувач сè додека дисплејот не се појави „Вклучен“ и часовните цифри трепкаат.
2. Притиснете ги копчињата Претходно / Следно копче (B4, B18) за да ги прилагодите цифрите на час, а потоа притиснете го копчето TIMER за да потврдите. Тее светнат минутните цифри на екранот.
3. Притиснете ги копчињата Претходно / Следно копче (B4, B18) за да ги прилагодите минутните цифри, а потоа притиснете го копчето TIMER (B13) за да потврдите.
4. Кога претходното / следното копче (B4, B18) е поставено на сетот на Тајмер, се прикажува „OFF“ и часовните цифри ќе трепкаат.
5. Притиснете ги копчињата Претходно / Следно копче (B4, B18) за да ги прилагодите цифрите на час, а потоа притиснете го копчето TIMER (B13) за да потврдите. Тее светнат минутните цифри на екранот.
6. Притиснете ги копчињата Претходно / Следно копче (B4, B18) на далечинскиот управувач за да ги прилагодите минутните цифри, а потоа притиснете го копчето TIMER за да потврдите.
7. Притиснете ги копчињата за да изберете ЦД, USB, BT или FM режим, а потоа притиснете го копчето TIMER (B13) за да потврдите. На екранот ќе бидат прикажани „VOL #“ и блиц.

Притиснете ги копчињата Претходно / Следно копче (B4, B18) за да ја прилагодите јачината на звукот, а потоа притиснете го копчето TIMER за да потврдите.

8. Притиснете го копчето TIMER (B13) за да изберете „Тајмер вклучен“, а Тајмерот е сега сет
9. Во режимот на подготвеност, иконата Тајмер ќе се појави на екранот за да означи дека Тајмерот е вклучен.

ЗАБЕЛЕШКА:

- 1.) Ако е избрано „Разбуди се на ЦД, УСБ“, но ЦД не е вметната, алармот автоматски ќе се активира на будилникот, кога ќе се достигне времето на буђење.
- 2.) За „Разбуди се на радио“, системот ќе се дифолтира на последната радио станица FM што ја слушав пред да се исклучи.
- 3.) Алармот за крешендо ќе се зголеми до нивото на јачината на звукот што сте го поставиле.

АКТИВНА / ДЕКТИВНА ФАНКЦИЈА АЛАРМ

1. За да активирате АЛАРМ, допрете го копчето TIMER (B13) еднаш и иконата за алармот ќе се појави на LCD-екранот.
2. Откажете ја функцијата АЛАРМ со повторно притискање на копчето TIMER (B13). Иконата за алармот ќе се исклучи.

Разбудете се на радио, CD, USB или BUZZER аларм

- Кога ќе се достигне времето на алармот, алармот за ЦД, USB или радио ќе се огласи 60 минути, а потоа ќе се исклучи и ќе се ресетира за следниот ден (без да го притиснете копчето одмет).
- За да го стопирате алармот веднаш откако ќе се огласи, допрете го копчето POWER / STANDBY (A1, B1) на далечинскиот управувач или на главната единица еднаш. Се ресетира за следниот ден.
- За да го откажете алармот следниот ден, допрете го БЕТОНОТ НА ТИМЕР (B13) еднаш, иконата АЛАРМ се исклучува.

РАДИО ОПЕРАЦИЈА

1. Допрете го копчето POWER / STANDBY (A1, B1) на главната единица или далечинскиот управувач за да ја вклучите единицата.
2. Допрете го копчето SOURCE (A1, B11) на главната единица или далечинскиот управувач за да изберете FM режим, FM радиофреквенцијата се појавува на екранот.
3. За рачно да се прилагодувате на одредена радио станица, допрете на Track Down, Track (A10, A11, B8, B18) на главната единица или на далечинскиот управувач постојано. Користете го методот за рачно подесување за да ги вклучите послабите

станции што се заобиколени при автоматското подесување.

4. За автоматско усогласување со следната достапна радио станица, притиснете и задржете го копчето Track Down (A10, A11, B8, B18) на главната единица или далечинскиот управувач 1-2 секунди додека не започне да се скенира читањето на фреквенцијата на дисплејот. пуштете го копчето. Нагдувачот ќе престане да скенира кога ќе ја добие следната радиодифузна станица со соодветна јачина на сигналот.

5. Притиснете ја контролата на јачината на звукот на главната единица или далечинскиот управувач за да ја прилагодите контролата на јачината на звукот на саканото ниво на јачина на звук.

FM / FM стерео прием

Кога слушате FM радио, притиснете го копчето ST / MONO (B16) на далечинскиот управувач за да се префрлите помеѓу стерео и моно режим. FM стерео-иконата "ST" ќе се појави на дисплејот ако единицата е во стерео режим. Препорачливо е да ја примите програмата во моно кога примате слаба станица.

ЛИНИ ЗА НАЈДОБРИОТ РЕЦЕПЦИЈА:

FM - За најдобар прием на FM, антената со жица FM се наоѓа на задниот дел од единицата треба да биде целосно одвиткано и проширено.

Белешка: Автоматското подесување зависи од јачината на сигналот на радиодифузната станица, така што може да се прескокнат слабите станици. Можете рачно да подесувате за да ги пронајдете слабите станици ако некоја станица се прескокне. Со силни сигнали, приемникот може да запре пред да ја достигне вистинската фреквенција на емитување, така што можеби ќе треба рачно да се прилагодувате за најдобар прием.

ПРИСЕТ РАДИОЦИИ

1. Притиснете го копчето POWER / STANDBY (A1, B1) на главната единица или далечинскиот управувач за да ја вклучите единицата.
2. Допрете го копчето SOURCE (A1, B11) на главната единица или далечинскиот управувач за да изберете FM радио.
3. Притиснете и држете го допрете го копчето Track Down, Track (A10, A11, B8, B18) на главната единица или далечинскиот управувач сè додека не се започне со скенирање, читањето на фреквенцијата на дисплејот и потоа ослободете го копчето за автоматско пребарување и претходно наместени канали на програмата. „PROG“ се појавува на екранот и трепка. Автоматското пребарување и програмата ќе застанат на P01 откако ќе заврши скенирањето, „PROG“ стабилно се прикажува на екранот. Забелешка: Ако каналите зачувани за време на автоматското пребарување и програмираната поставеност не се оние што сакате да ги зачувате, користете го методот подолу за рачно зачувување на радио поставки.
4. Нагдувајте до саканата радио станица или со „рачно“ или со „автоматски“ метод на подесување.
5. Допрете го PROG . (B3) на далечински управувач, следниот достапен претходно мемориски број и трепкање PROG . (B3) иконата ќе се појави на LCD-екранот. (Забелешка: „P01“ ќе се појави на дисплејот ако за прв пат програмирате претходно наместено)
6. Допрете го ПРЕД. Копче (B15, B19) на главната единица или далечинскиот управувач за да го изберете претходно поставениот број на кој сакате да ја доделите станицата.
7. Допрете го PROG . (B3) Копче за потврда на поставката.
8. Повторете го погоре чекорите 4 - 8 за да поставите до 30 FM станици.

ПРЕГЛЕД НА ПРЕТСТАВНИТЕ МЕМОРИСКИ КАННЕЛИ

Во режимот на радио, потсетете се на претходно поставените канали со притискање на PRE. Копче (B15, B19) на далечински управувач постојано.

Операција на ЦД плеер

Забелешка:

1. Овој ЦД плеер не само што ќе репродуцира комерцијални ЦД-а, туку и само-компилирани ЦД-П / ПВ, MP3-дискови. Не обидувајте се да репродуцирате ЦД-ROM, ЦДИ, VCD , ДВД или компјутерски ЦД-а.
2. MP3 е форма на компресија. Станува збор за акроним кој се залага за MPEG Audio Layer 3. MP3 е вид на аудио код кој се обработува со значителна компресија од оригиналниот аудио извор со многу мало губење на квалитетот на звукот.
- Овој систем поддржува датотеки MPEG 1 Layer 3 и VBR .
- За време на репродукција на датотека VBR , бројачот на време на екранот може да се разликува од неговото вистинско време за репродукција.
- Битрат кој е поддржан од MP3 е 32 ~ 320 kbps

ВЕ МОЛИМЕ ПРОЧИТАЈТЕ ОВА ВАНИ ИНФОРМАЦИИ:

Механизмите на ЦД што се користат во уреди како овој се дизајнирани да ги читаат сите комерцијални ЦД-а. Исто така, ќе читаат авто-компилирани CD-R / CD-RW, MP3 дискови, но може да потрае и до 10 секунди за да започне вистинската репродукција. Ако репродукцијата не започне, тоа најверојатно се должи на квалитетот на CD-R / RW , MP3 диск и / или компатибилноста на софтверот за компилација на ЦД. Производителот не е одговорен за квалитетот на репродукција на CD-R / RW , MP3-дискови. Не закачувајте етикета или заптивка на која било страна на CD-R / RW, MP3-дискот. Може да предизвика дефект.

ПОГЛАВУВА АЕ ЦД

1. Притиснете го копчето POWER / STANDBY (A1, B1) на главната единица или далечинскиот управувач за да ја вклучите единицата.
2. Допрете го копчето SOURCE (A1, B11) на далечинскиот управувач или главната единица за да изберете ЦД-режим и потоа притиснете го Отворете го одделот за дискот.

3. Поставете аудио ЦД на средишната вретенка со страницата на етикетата свртена кон ЦД ВРАТА. Затворете го одделот за дискот.
4. Единицата започнува да го чита дискот. „---“ се прикажува на екранот и трепка. По неколку секунди, вкупниот број песни покажува една секунда, а потоа вкупното време на ЦД-то ќе се прикаже на ЛЦД-екранот.
5. Притиснете го копчето PLAY / PAUSE (A9, B22) на главната единица или далечинскиот управувач, индикаторот PLAY се прикажува на екранот, ЦД-то ќе започне со репродукција од првата песна.
6. Притиснете ја контролата на јачината на звукот Прилагодете ја јачината на звукот. на главната единица или далечинскиот управувач за да се прилагоди на саканото ниво на јачина на звук.
7. За да ја паузирате репродукцијата, притиснете го копчето PLAY / PAUSE (A9, B22) на главната единица или далечинскиот управувач. Времето на песната ќе биде стопирано и индикаторот PAUSE ќе се прикаже на екранот. За да продолжите со репродукцијата, повторно притиснете го копчето CD PLAY / PAUSE (A9, B22).
8. Можете да изберете да ја пуштите омилената песна директно со притискање на копчето Track Down, Track (A10, A11, B8, B18). LCD екранот ќе го означи избраниот точен број на нумери.
9. За да пронајдете одреден дел во рамките на траката, притиснете и задржете го Track Down, Track Up (A10, A11, B8, B18) сè додека не се пронајде делот. Ослободете го копчето за да продолжите со репродукцијата на вашиот избор.
10. За да престанете да играте, притиснете го копчето STOP (A8, B25).

ПОСТАПКА ЗА ИГРАЕ НА МП3 ДИСЦ

За репродукција на ЦД-Р / РВ, Мр3

1. Притиснете го копчето SOURCE (A1, B11) на далечинскиот управувач и ставете МР3-диск.
 2. Притиснете го копчето FOLDER (B15, B19) за да ја изберете саканата папка за репродукција.
 3. Изберете ја саканата датотека што ќе се репродуцира со притискање на копчето Track Down, Track Up (A10, A11, B8, B18).
 4. Притиснете го PLAY / PAUSE (A9, B22). Репродукцијата ќе започне и името на датотеката ќе се прикаже.
- Во случај на репродукција со вклучен режимот на папката, притиснете го копчето FOLDER (B15, B19) и папката може да се избере и покрај тоа што е во режим за репродукција / пауза. Виле продолжи режимот за репродукција / пауза во 1-та песна на избраната папка.

ДА ГО ПОГЛАВИТЕ НАПРАВЕН USB / МР3 ПЛЕЕР СО ПАПКА

1. Притискајте го копчето SOURCE (A1, B11) на далечинскиот управувач или копчето SOURCE (A1, B11) повеќепати на главната единица за да изберете USB функција. Поврзете го УСБ-уредот што има датотеки со формат МП3 на уредот. Кога USB-меморијата е поврзана со главната единица, информациите за уредот ќе бидат прикажани.
2. Притиснете го копчето FOLDER (B15, B19) за да ја изберете саканата папка за репродукција. За да започнете со репродукција со режимот на папката вклучен, одете на чекор.
3. Изберете ја саканата датотека што ќе се репродуцира со притискање на копчето Track Down, Track Up (A10, A11, B8, B18).
4. Притиснете го PLAY / PAUSE (A9, B22). Репродукцијата ќе започне и името на датотеката ќе се прикаже.

ЗАБЕЛЕШКА:

- Овој производ не е компатибилен со системите за датотеки МТР и ААС од USB-уред за масовно складирање или МР3 плеер.
- Оваа единица поддржува FAT16 и FAT32, но некои USB мемориски медиуми може да не ги поддржуваат двата датотечни системи. За детали, погледнете во упатството за работа на USB-уредот за кој станува збор или контактирајте го производителот.

ПОСЕБНИ И ПРЕБАРУВАЕ

1. За време на режимот на репродукција или пауза, допрете го копчето Track Down, Track (A10, A11, B8, B18) за да одите на следната песна или да се вратите на почетокот на тековната песна.
2. За време на репродукција, притиснете и задржете на Track Down, Track (A10, A11, B8, B18) за пребарување во тековната песна со звучна репродукција со голема брзина.

РАЗЛИЧНИ ПОГЛЕДНИ МОДИИ (САМО ЗАБЕЛЕШКА)

Притискајте го копчето REPEAT (B6) на далечинскиот управувач повеќепати за да изберете различни режими за репродукција кога ЦД-то се репродуцира.

Кога репродуцирате ЦД, режимите за изведба се прикажани како подолу:

- Повторете
- Повторете ги сите
- Нормално

ОДГОВОР 1 - патеката што се игра и ќе се повторува постојано. Повторете една икона „REPEAT 1“ се прикажува на екранот. ОДГОВОРИТЕ СИТЕ - сите патеки ќе се повторуваат постојано. Повторете ја целата икона „Повторете ги сите“ на екранот.

РАНДОМ ПЛАН

Кога копчето RANDOM (B20) ќе се притисне три, индикаторот „RDM“ ќе светне на LCD-екранот. Песните на дискот можат автоматски да се репродуцираат по случаен редослед.

За откажување на случајна игра:

Повторно притиснете го копчето RANDOM (B20). Индикаторот „RDM“ ќе исчезне.

ЗАБЕЛЕШКА:

Ако го притиснете копчето за време на случаен репродукција, можете да преминете на патеката избрана следната по случаен избор. Од друга страна, копчето не ви дозволува да преминете на претходната песна. Почетокот на патеката што се игра ќе биде лоцирана.

Во случајна игра, единицата автоматски ќе избере и репродуцира песни. (Не можете да ја изберете редот на патеките.)

ВОВЕД

1. Притиснете INTRO (B20) на далечинскиот управувач. Индикаторот „INTRO (B20)“ ќе се појави на екранот. Единицата ќе ги игра првите 10 секунди од секоја песна.
2. Притиснете INTRO (B20) на далечинскиот управувач повторно за да продолжите со нормалната репродукција.

ПРОГРАМИРАЈТЕ ПРОГРАМИРАЧЕ НА СЕКОВНИОТ НА ПРАВОТО

Оваа функција овозможува песните да се репродуцираат во програмирана секвенца. Корисникот може да програмира до 32 песни во режим на ЦД или 99 песни во МП3 во која било

Белешка: Програмата може да се постави само во режим СТОП.

1. Допрете го PROG - Копчето (B3) на далечинскиот управувач, програмскиот број „1“ се прикажува на екранот, иконата „PROG“ и бројот на песна на ЦД - „-“ што трепкаат и на LCD-екранот. (Забелешка: „1“ ќе се појави на екранот ако за прв пат програмирате).
2. Користете го Track Down, Track (A10, A11, B8, B18) на главната единица или далечинскиот управувач за да ја изберете саканата песна. Бројот на патеката ќе биде прикажан на екранот.
3. Допрете го PROG - Копчето (B3) на главната единица или далечинскиот управувач за складирање на избраната песна во меморијата, следниот програмски број ќе напредува еден (т.е. „2“) на LCD дисплеј.
4. Повторете ги чекорите од 2 до 3 за да зачувате повеќе песни во меморијата. Може да складирате песни до CD 32, MP3 99 песни. Екранот ќе се прикаже „ЦЕЛО“ откако ќе се програмираат песни.
5. Допрете ја PLAY / PAUSE (A9, B22) на главната единица или далечинскиот управувач за да започнете ја репродукцијата на ЦД-то во програмираната секвенца.
6. Притиснете го копчето REPEAT (B6) на далечинскиот управувач за да изберете Повторете 1 / Сите ако е потребно.
7. За да престанете да играте, притиснете го копчето STOP (A8, B25) на главната единица или далечинскиот управувач.
8. За да ја откажете програмата, притиснете го копчето STOP (A8, B25) на главната единица или далечинскиот управувач двапати, иконата „PROG“ исчезнува од екранот.

БЛЕВТУТ ОПЕРАЦИЈА

Притиснете го копчето POWER / STANDBY (A1, B1) за да ја вклучите единицата и следете ги упатствата подолу за да се поврзете преку Bluetooth.

ПАРИЕЕ (поврзување) мобилен телефон со вклучена телефон преку BLUETOOTH, ИЛИ ДРУГИ УПОТРЕБА ЗА BLUETOOTH

Овозможена со уредот

Ако CR 1173 никогаш порано не бил спарен со уред со Bluetooth. Треба да ги следите упатствата за спарување подолу за да го поврзете Уредот со вашиот Bluetooth уред.

1. Притиснете го копчето POWER / STANDBY (A1, B1) на главната единица или далечинскиот управувач за да ја вклучите единицата.
 2. Допрете го копчето SOURCE (A1, B11) на главниот или далечинскиот управувач за да изберете режим Bluetooth, Bluetooth пораката „bt“ се појавува на екранот и трепка.
 3. Ако CR 1173 никогаш не бил спарен со Bluetooth уред пред или не може да го пронајде последниот спарен уред, трепкањето „bt“ на LCD екранот ќе покаже дека XXX е во режим на пребарување. Треба да ги следите упатствата за спарување подолу за да го поврзете Уредот со вашиот Bluetooth уред.
 - Вклучување на функцијата Bluetooth на уредот со Bluetooth и овозможи на пребарување или скенирање функција да се најде на CR 1173.
 - Изберете „CR 1173“ од списокот на уреди кога се појавува на екранот на уредот. Доколку е потребно, внесете го кодот за пристап „0000“ за да го спарите (поврзете) CR 1173 со вашиот уред.
 4. По успешно спарување (поврзување), дисплејот ќе се смени за да се покаже „bt“ стабилно, иконата Bluetooth исто така ќе се прикаже на дисплеј. Можете да започнете ја репродукцијата музика од вашиот Bluetooth уред безжично на звучникот.
 5. Откако ќе ја изберете омилената песна, притиснете го копчето PLAY PAUSE (B22, A9) на единицата или далечинскиот управувач за да ја пуштите или паузирате песната.
 6. Притиснете ја контролата на јачината на звукот на главната единица или далечинскиот управувач за да се прилагоди на саканото ниво на јачина на звук.
 7. Притиснете го копчето Следење надолу, Следење (B8, B9) на главната единица или далечинскиот управувач за да прескокнете на претходната или следната песна.
 8. Ако сакате да го спарите Уредот со друг уред со Bluetooth, притиснете го и држете го копчето PAIR (B10) за 3 секунди или исклучете ја функцијата Bluetooth на уредот што е спарен со Уредот, потоа повторете го чекор 3 погоре.
- Белешки:

- 1.) Поставете во упатството за вашиот мобилен телефон, таблет компјутер, компјутер или други уреди за вклучена Bluetooth за работа со Bluetooth, бидејќи може да варира од модел до модел.
- 2.) Ако вашиот уред со Bluetooth не го поддржува профилот A2DP, тој нема да ја репродуцира музиката преку звучникот, дури и ако е спарен (поврзан).
- 3.) Ако го спарувате (поврзувате) вашиот компјутер со единицата со Bluetooth, можеби ќе треба да го поставите звучникот како стандарден звучен уред на вашиот компјутер.

ОПШТИНА ОПЕРАТИВНА ВНАТРЕШНА РАБОТА

Оваа единица има помошен приклучок за влез на аудио сигнал за поврзување на надворешни аудио уреди како MP3 плеери, Дигитален аудио уред и ги слушајте преку звучниците на оваа единица.

1. Користете аудио кабел (не е вклучен) со еден стерео приклучок 3,5 mm на секој крај на кабелот.
2. Приклучете го едниот крај во AUX IN JACK (A5) на главниот дел, а другиот крај на кабелот во теек за излез или Headset за

слушалки на вашиот надворешен аудио уред.

3. Вклучете го уредот и надворешниот аудио уред.

4. Допрете го копчето SOURCE (A1, B1) на главниот или далечинскиот управувач за да изберете AUX режим, иконата „AUX“ се вклучува, на екранот се прикажува порака „AUX“.

5. Нивото на јачината на звукот сега може да се контролира преку главната единица. Управувајте со сите други функции на помошниот уред како и обично.

Забелешка:

· Ако ја поврзете оваа единица со Line-Out Jack на вашиот надворешен уред, тогаш треба само да ја прилагодите контролата на јачината на звукот на оваа единица. Ако го поврзете цек за слушалки на надворешниот уред, можеби ќе треба да ги прилагодите и контролите за јачина на звук на вашиот надворешен уред и оваа единица за да ја добиете посакуваната поставка за јачина на звук.

PRESET EQ (САМО ЗАБЕЛЕШКА КОНТРОЛА)

Оваа единица обезбедува 4 различни режими на интелигенција за подобрување на вашето искуство со слушање. Можете да го изберете посакуваниот ефект со притискање на копчето EQ (B5) на далечинскиот управувач повеќепати по следната секвенца:

РАК ПОП ЈАЗЗ КЛАСИЧКО ИСКЛУЧНО

МУТЕ БУТТОН (САМО ЗАБЕЛЕШКА КОНТРОЛА)

· Притиснете го копчето MUTE (B21) на далечинскиот управувач за привремено да го исклучите звукот на звукот од звучникот. „V 00“ ќе се појави на екранот.

· Притиснете го копчето MUTE (B21) повторно или VOLUME CONTROL (B23, A12) за да продолжите со нормалната репродукција на звучникот.

СЛЕДНИ ОПЕРАЦИИ (САМО ЗАБЕЛЕШКА КОНТРОЛА)

Тајмерот за спиење ви овозможува да ја исклучите единицата откако ќе се постигне одредено време.

1. За да го активирате тајмерот за спиење, вклучете ја единицата и допрете го копчето SOURCE (A1, B1) за да изберете FM радио, ЦД, USB, Bluetooth или слушање музика преку AUX IN.

2. Допрете го копчето SLEEP (B14) на далечинскиот управувач, иконата за време на спиењето „SLEEP“ се појавува на екранот.

3. Повторете допрете го копчето SLEEP (B14) за да изберете време за спиење. Единицата ќе се исклучи по 10, 20, 30, 40, 50, 60, 70, 80 или 90 минути. Почекајте 3 секунди по изборот за единицата да го потврди изборот, единицата ќе игра за избраната должина на време, а потоа автоматски ќе се исклучи.

4. За да го откажете тајмерот за спиење, допрете го копчето SLEEP (B14) повеќепати додека тајмерот не ја покаже „OFF“, иконата за време на спиењето „SLEEP“ ќе исчезне на екранот

5. За да ја исклучите единицата пред избраната должина на време, притиснете го копчето POWER / STANDBY (A1, B1) во секое време.

Белешки:

1.) За да го проверите преостанатото време на спиење, допрете го копчето SLEEP (B14) еднаш.

2.) Ако заспавате музика од надворешен уред поврзан со влезот AUX, тајмерот за спиење ќе ја исклучи напојувањето на овој систем, но нема да го исклучи надворешниот уред.

КОРИСТЕЕ НА ГЛАВНИТЕ (НЕ ВКЛУЧЕНИ)

Вметнувањето на приклучокот на вашите слушалки во стерео слушалките за слушалки (A17) ќе ви овозможи да слушате ЦД или радио музика приватно. Кога користите слушалки, Вградените звучници ќе бидат исклучени.

Прочитајте ги овие важни информации пред да ги користите вашите глави

1. Избегнувајте продолжена игра со многу голем волумен затоа што може да го наруши вашиот слух.

2. Ако имате гингвонење во ушите, намалете ја јачината на звукот или исклучете ја единицата.

3. Одржувајте ја јачината на звукот на разумно ниво дури и ако вашата слушалка е тип на отворено дизајниран за да ви овозможи да слушате звуци еднадвор. Забележете дека претерано голем волумен сè уште може да блокира надворешни звуци.

РЕСЕТИРАЕ

Ако системот не реагира или има неправилна работа, можеби сте доживеале електростатско празнење (ESD) или пренапон на струја што предизвика внатрешниот компјутер автоматски да се исклучи. Ако се случи ова, исклучете го кабелот за напојување со струја од извор на напојување, почекајте 60 секунди, а потоа повторно приклучете го кабелот за напојување со наизменична струја. Единицата ќе се ресетира, треба да ги поставите часовникот, алармот и претходно поставените радио канали.

ГРИА И ОДРУВАЕ

1. Не ставајте ја единицата на прекумерна сила, шок, прашина или екстремна температура (над 40C).

2. Не ги мешајте внатрешните компоненти на единицата.

3. Исклучете ја единицата со сува крпа. Растворувач или детергент никогаш не треба да се користи.

4. Избегнувајте да ја оставате единицата на директна сончева светлина или на топли, влажни или правливи места.

5. Држете ја единицата подалеку од уредите за греење и изворите на електричен шум, како што се флуоресцентни светилки или мотори.

6. Ако испуштања или прекини во музиката се појават за време на репродукција на ЦД, или ако ЦД воопшто не успее да се репродуцира, нејзината долна површина може да бара чистење. Пред да играте, избришете го дискот од центарот на надвор со добра мека крпа за чистење.

ЧИСТЕЕ НА ЕДИНИЦАТА

· За да спречите опасност од пожар или удар, исклучете ја единицата од изворот на напојување при напојување со електрична енергија.

Завршувањето на единицата може да се исчисти со крпа од прашина и да се грижи како друг мебел. Користете претпазливост при чистење и бришење на пластичните делови.

- Ако кабинетот стане прав, избришете го со мека крпа од сув прав. Не користете восок или спреј за полирање на кабинетот.
- Ако предната плоча се извалка или измазне со отпечатоци од прсти, може да се исчисти со мека крпа малку натопена со благ раствор од сапун и вода. Никогаш не користете абразивни крпи или полиња, бидејќи тие ќе го оштетат финишот на вашата единица.

ВНИМАНИЕ: Никогаш не дозволувајте вода или други течности да влегуваат во единицата додека чистите

Технички податоци:

Барања за напојување:

Главна единица: 230V ~ 50Hz

Далечински: CR2025 3V

Делот за играчи на DISC

Систем: Компактен диск и дигитален аудио систем Карактеристики на ласерската диода

Времетраење на емисијата: Континуирано

Излез на ласер: Помалку од 44,6 M w (Овој излез е мерење на вредноста на растојание од 200мм од објективната површина на леки на Оптичкиот пик-ап блок со отвор од 7 мм.)

Опсег на фреквенција

Делот за приемник за FM:

Опсег на подесување: 87,5 MHz-108.0 MHz (чекор од 50 kHz).

Моќност на звучникот: 2x 5W

Max: 28W



Се грижиме за природната средина. Картонските паковки молиме да се наменат за рециклирање. Полиетиленовите кеси (PE) да се фрлат во контејнер за пластика. Искористениот уред треба да се предаде во соодветниот складирачки пункт, бидејќи небезбедните состојки кои се наоѓаат во уредот можат да бидат загрозување за средината. Електричниот уред треба да се предаде на начин кој ќе оневозможи негова повторна употреба и искористување. Доколку во уредот има батерии, треба да се извадат и посебно да се предадат во складирачкиот пункт.

BEZPEČNOSTNÍ PODMÍNKY DŮLEŽITÉ POKYNY PRO BEZPEČNOST POUŽITÍ PŘEČTĚTE SI POZORNĚ A UCHOVÁVEJTE PRO BUDOUCÍ REFERENCE

Záruční podmínky se liší, pokud je zařízení používáno pro komerční účely.

1. Před použitím výrobku si pečlivě přečtěte a vždy dodržujte následující pokyny. Výrobce neodpovídá za žádné škody způsobené jakýmkoli zneužitím.
2. Produkt je určen pouze pro vnitřní použití. Nepoužívejte výrobek pro žádný účel, který není kompatibilní s jeho aplikací.
3. Použitelné napětí je 230V, ~ 50Hz. Z bezpečnostních důvodů není vhodné připojit více zařízení k jedné zásuvce.
4. Při práci s dětmi buďte opatrní. Nedovolte dětem hrát si s produktem. Nedovolte dětem ani lidem, kteří zařízení nepoznají, aby jej používali bez dozoru.
5. Výstraha: Toto zařízení může používat děti pod 8 let věku a osoby se sníženými fyzickými, smyslovými nebo duševními schopnostmi nebo osoby bez zkušenosti nebo znalosti přístroje pouze pod dohledem osoby odpovědné za jejich bezpečnost nebo pokud byli poučeni o bezpečném používání zařízení a jsou si vědomi nebezpečí souvisejících s jeho provozem. Děti by se zařízením neměly hrát. Čištění a údržbu zařízení by neměly provádět děti, pokud nejsou starší 8 let a tyto činnosti jsou prováděny pod dohledem.
6. Po ukončení používání výrobku vždy nezapomeňte jemně vyjmout zástrčku ze zásuvky, která drží ruku. Nikdy nevytáhněte napájecí kabel!
7. Nikdy nenechávejte napájecí kabel, zástrčku nebo celé zařízení do vody. Nikdy nevystavujte výrobek atmosférickým podmínkám, jako je přímé sluneční světlo nebo déšť apod. Nikdy nepoužívejte výrobek ve vlhkých podmínkách.
8. Periodicky kontrolujte stav napájecího kabelu. Pokud je napájecí kabel poškozen, produkt by měl být očištěn na profesionální servisní místo, které má být vyměněno, aby se předešlo nebezpečným situacím.
9. Nikdy nepoužívejte výrobek s poškozeným napájecím kabelem nebo pokud byl jiným způsobem spadl nebo poškozen, nebo nefunguje správně. Nepokoušejte se opravit poškozený výrobek sami, protože může vést k úrazu elektrickým proudem. Poškozené zařízení vždy pootočte na profesionální servisní místo, abyste ho opravili. Všechny opravy mohou provádět pouze autorizovaní servisní pracovníci. Oprava, která byla provedena nesprávně, může způsobit nebezpečné situace pro uživatele.
10. Nikdy nenechávejte výrobek na horké nebo teplé povrchy nebo v blízkosti, ani v kuchyňských zařízeních, jako je elektrická trouba nebo plynový hořák.
11. Nikdy nepoužívejte výrobek v blízkosti hořavin.
12. Nepoužívejte kabel viset nad hranou čítače nebo se dotýkat horkých povrchů.
13. Nikdy neopouštějte výrobek připojený k napájecímu zdroji bez dohledu. I při krátkodobém přerušení používání zařízení vypněte a odpojte napájení.
14. Pro zajištění dodatečné ochrany se doporučuje instalovat zbytkové proudové zařízení (RCD) do napájecího obvodu, přičemž reziduální proud není vyšší než 30 mA. Kontaktujte profesionálního elektrikáře v této věci.
15. Nepoužívejte rádio mokré.
16. Rádio je možné otírat pouze suchým hadříkem. Nepoužívejte vodu ani čisticí kapaliny.
17. Vysílač by měl být uložen v suché místnosti.

PŘÍSTROJ:

1. INDIKÁTOR NAPÁJENÍ / VYPNUTÍ STANDBY 2. ZDROJ 3. TLAČÍTKO NASTAVENÍ ČASU / PAMĚTI
4. TUNER CHANNEL - 5.AUX V 6.USB 7. TUNER CHANNEL +
8. TLAČÍTKO TLACÍTKA CD / TLACÍTKA BLUETOOTH PAIR
9. TLACÍTKO CD / BLUETOOTH PLAY / PAUSE / RADIO AUTO VYHLEDÁVÁNÍ
10. TLACÍTKO PŘEDCHOZÍ / TUNE CD / BLUETOOTH SKIP
11. CD / BLUETOOTH SKIP NEXT / TUNE + TLACÍTKO

12. OVLADAČ HLASITOSTI 13. ZOBRAZENÍ CD
14. TLAČÍTKO OTEVŘENÍ / ZAVŘENÍ DVEŘÍ DVEŘE 15. CD DVEŘE 16.FM ANTENNA
17. KONEKTOR HLAVNÍHO SVĚTLA 18. PRAVÝ KONEKTOR REPRODUKTORU 19. KONEKTOR KONEKTORU REPRODUKTORY
20. DC NAPÁJECÍ ADAPTER KABEL 21. DVEŘNÍ DVEŘE

DÁLKOVÉ OVLÁDÁNÍ:

1. INDIKÁTOR NAPÁJENÍ / VYPNUTÍ STANDBY 2. TLAČÍTKO PŘÍMÉHO VYHLEDÁVÁNÍ DISC
3. PROG. TLAČÍTKO 4. TLAČÍTKO DOLŮ CD / USB SNIŽENÍ NEBO ČASU DOLŮ, TLAČÍTKO TUNERU DOLŮ.
5. TLAČÍTKO EQUALIZÁTORU 6. TLAČÍTKO OPAKOVÁNÍ 7. TLAČÍTKO BASY X.
9. TLAČÍTKO CD / BLUETOOTH PLAY / PAUSE / RADIO AUTO VYHLEDÁVÁNÍ
10. TLAČÍTKO PŘEDCHOZÍ / TUNE CD / BLUETOOTH SKIP
11. CD / BLUETOOTH SKIP NEXT / TUNE + TLAČÍTKO
12. CLOCK SET 13.LCD DISPLAY 14. CD OTEVŘENÍ / ZAVŘENÍ DVEŘÍ DVEŘÍ
15. CD DVEŘE 16.FM ANTÉNA 17. JACK HEADPHONE JACK
18. KONEKTOR PRAVÉHO REPRODUKTORU 19. KONEKTOR REPRODUKTOROVÉHO REPRODUKTORU
20. TLAČÍTKO NÁHODNÉHO A UVODNÍHO TLAČÍTKA 21. ZÁSOBNÍK DO PROVOZU
22. TLAČÍTKO BT PLAY / PAUSE 23.VOLUM UP DOWN TLAČÍTKO
24. TLAČÍTKO PŘEHRAVÁNÍ CD / PAUZA 25. TLAČÍTKO STOP CD

PŘIPOJENÍ SYSTÉMU

Před jakýmkoli připojením se ujistěte, že je odpojen napájecí kabel ze zásuvky.

Připojení střídavého proudu

Zapojte napájecí kabel do dostupné zásuvky 230 V ~ 50 Hz. Ujistěte se, že je zástrčka bezpečně zasunuta do síťové zásuvky.

Instalace baterií pro zálohování baterií

1. Vyměňte dvířka prostoru pro baterie umístěná na spodní straně hlavní jednotky.

2. Postupujte podle značek polarit uvnitř prostoru pro baterie a vložte 2 x AAA baterie (nejsou součástí) do dvou slotů pro baterie umístěných v prostoru pro baterie.

3. Vyměňte dvířka baterie.

POZNÁMKY:

· Při výměně záložních baterií neodpojujte napájecí kabel ze zásuvky. Pokud tak učiníte, veškerý aktuální čas a nastavení budíku budou vymazány.

· Pokud necháte jednotku dlouhou dobu odpojenou ze sítě, vyměňte baterie, abyste předešli poškození, které by mohlo nastat v případě úniku baterií a korozi.

Dálkové ovládání

Dálkový ovladač pracuje s jednou lithiovou baterií CR2025 3V (součástí dálkového ovladače). Chcete-li aktivovat dálkové ovládání, odstraňte pojistku izolátoru vloženou do přihrádky na baterie.

Pokud se dálkový provoz stane přerušovaným nebo neuspokojivým, vyměňte původní baterii za novou lithiovou baterii CR2025 3V.

1. Stiskněte kryt prostoru pro vysunutí a vysuňte držák baterie z pouzdra dálkového ovladače.

2. Vyměňte baterii a ujistěte se, že je správně vložena. Dálkový ovladač nebude fungovat, pokud je baterie vložena se špatnou polaritou.

POZOR:

1.) Při nesprávné výměně baterie hrozí nebezpečí výbuchu.

2.) Vyměňujte pouze baterie stejného nebo ekvivalentního typu.

3.) Vložte držák baterie zpět do slotu pro baterie.

ZAPNUTÍ / VYPNUTÍ JEDNOTKY

1. V režimu Vypnuto (pohotovostní režim) klepnutím na tlačítko POWER / STANDBY (A1, B1) na hlavní jednotce nebo na dálkovém ovladači jednotku zapnete. Jednotka se zapne, na LCD displeji se zobrazí ikona naposledy zvoleného režimu vstupu.

2. Chcete-li jednotku vypnout (pohotovostní režim), znovu klepněte na tlačítko zapnutí / vypnutí napájení (A1, B1) na hlavní jednotce nebo na dálkovém ovladači. LCD DISPLAY zhasne a zobrazí aktuální čas. Rozsvítí se indikátor pohotovostního režimu.

NASTAVENÍ HODIN

Po připojení napájení střídavým proudem se na displeji LCD zobrazí „00:00“ a začne blikat.

1. V režimu Power Off (Standby) stiskněte a podržte tlačítko CLOCK SET (B13) na dálkovém ovladači nebo na hlavní jednotce, na displeji se zobrazí 24 hodinový formát „24H“.

2. Klepněte na tlačítko Předchozí / Další (B4, B18) na dálkovém ovladači nebo na hlavní jednotce a v případě potřeby vyberte formát 24 hodin. Jinak stisknutím tlačítka CLOCK SET (B12) potvrďte 12hodinový formát hodin a přejděte do režimu nastavení hodin, číslice hodin budou blikat.

3. Klepnutím na tlačítko Předchozí / Další (B4, B18) na dálkovém ovladači nebo hlavní jednotce upravte hodinu. Stiskněte a přidržte tlačítko pro rychlé nastavení vpřed / vzad.

Poznámka: Ujistěte se, že je nastavena hodina tak, aby se indikátor PM zobrazoval správně.

4. Stisknutím tlačítka CLOCK SET (B12) na dálkovém ovladači potvrďte nastavení hodin, číslice minut začnou blikat a vyzve k zadání.

5. Klepnutím na tlačítko Předchozí / Další (B4, B18) na dálkovém ovladači nebo na hlavní jednotce upravte minutu. Stiskněte a přidržte tlačítko pro rychlé nastavení vpřed / vzad.

6. Nastavení dokončete opětovným stisknutím tlačítka CLOCK SET (B12) na dálkovém ovladači.

POZNÁMKA: Předvolby hodin a rozhlasových stanic bude nutné resetovat, pokud dojde k přerušení napájení nebo v případě výpadku

napájení. Na displeji LCD se objeví „00:00“ a začne blikat, aby vás upozornilo, že bylo přerušeno napájení a bude nutné resetovat hodiny. Pro resetování hodin postupujte podle kroků 1-6 výše.

KONTROLA HODIN

Přístroj zobrazí v pohotovostním režimu aktuální čas. Chcete-li zkontrolovat aktuální čas v režimu zapnutí, stiskněte a podržte tlačítko CLOCK SET (B12) na hlavní jednotce nebo na dálkovém ovladači po dobu 3 sekund, aktuální čas se zobrazí na 5 sekund a poté se vrátí na předchozí obrazovku.

PROVOZ ALARMU (POUZE DÁLKOVÉ OVLÁDÁNÍ)

NASTAVENÍ ALARMOVÉ HODINY

Tato funkce umožňuje systému automaticky se zapnout a probudit pomocí zvukového signálu, CD, USB nebo BU RADIO.

1. Stiskněte a podržte tlačítko TIMER (B13) na dálkovém ovladači, dokud se na displeji nezobrazí „On“ a číslice hodin nezačnou blikat.
2. Stisknutím tlačítek Předchozí / Další (B4, B18) upravte číslice hodin a poté stisknutím tlačítka TIMER volbu potvrďte. Na displeji blikají číslice minut.
3. Stisknutím tlačítek Předchozí / Další (B4, B18) upravte číslice minut a poté stisknutím tlačítka TIMER (B13) volbu potvrďte.
4. Když je nastaveno tlačítko Předchozí / Další (B4, B18) Časovač zapnutí, na displeji se zobrazí „OFF“ a číslice hodin začnou blikat.
5. Stisknutím tlačítek Předchozí / Další (B4, B18) upravte číslice hodin a poté stisknutím tlačítka TIMER (B13) volbu potvrďte. Na displeji blikají číslice minut.
6. Stisknutím tlačítek Předchozí / Další (B4, B18) na dálkovém ovladači upravte číslice minut a poté stisknutím tlačítka TIMER volbu potvrďte.
7. Stisknutím tlačítek vyberte režim CD, USB, BT nebo FM a poté stisknutím tlačítka TIMER (B13) volbu potvrďte. Na displeji se zobrazí „VOL #“ a bliká.
8. Stisknutím tlačítek Předchozí / Další (B4, B18) upravte hlasitost a poté stisknutím tlačítka TIMER volbu potvrďte.
9. Stisknutím tlačítka TIMER (B13) vyberte „Časovač zapnutí“ a časovač je nyní soubor.
9. V pohotovostním režimu se na displeji zobrazí ikona časovače, která označuje, že je časovač zapnutý.

POZNÁMKA:

- 1.) Pokud je vybrána možnost „Probudit na CD, USB“, ale není vloženo CD, alarm se po dosažení doby buzení automaticky nastaví na pípní.
- 2.) V případě funkce „Wake to Radio“ se systém před vypnutím automaticky přepne na poslední poslouchanou rozhlasovou stanici FM.
- 3.) Alarm crescendo se zvýší na nastavenou úroveň hlasitosti.

ACTIVE / DE-ACTIVE ALARM FUNCTION

1. Pro aktivaci ALARMU klepněte jednou na tlačítko TIMER (B13) a na displeji se zobrazí ikona alarmu.
2. Zrušte funkci ALARM dalším klepnutím na tlačítko TIMER (B13). Ikona budíku zhasne.

Budík pro rádio, CD, USB nebo BUZZER

- Po dosažení času budíku zazní zvukový signál CD, USB nebo rádio po dobu 60 minut, poté se vypne a resetuje se na další den (bez stisknutí tlačítka odložit).
- Chcete-li zastavit budík ihned po zaznění, klepněte jednou na tlačítko POWER / STANDBY (A1, B1) na dálkovém ovladači nebo na hlavní jednotce. Obnoví se následující den.
- Chcete-li zrušit budík následujícího dne, klepněte jednou na TLAČIDLO ČASOVAČE (B13), ikona ALARM zhasne.

PROVOZ RÁDIA

1. Zapněte jednotku klepnutím na tlačítko POWER / STANDBY (A1, B1) na hlavní jednotce nebo na dálkovém ovladači.
2. Klepnutím na tlačítko ZDROJ (A1, B11) na hlavní jednotce nebo na dálkovém ovladači vyberte režim FM, na displeji se zobrazí frekvence rádia FM.
3. Chcete-li ručně naladit konkrétní rozhlasovou stanici, opakovaně poklepejte na Track Down, Track up (A10, A11, B8, B18) na hlavní jednotce nebo na dálkovém ovladači. Pomocí metody ručního ladění naladíte slabší stanice, které jsou během automatického ladění vynechány.
4. Chcete-li automaticky naladit další dostupnou rozhlasovou stanici, stiskněte a podržte tlačítko sledování dolů (A10, A11, B8, B18) na hlavní jednotce nebo na dálkovém ovladači po dobu 1–2 sekund, dokud se na displeji nezačne skenovat frekvence a poté tlačítko uvolněte. Tuner zastaví vyhledávání, když přijme další vysílací stanici s dostatečnou intenzitou signálu.
5. Stisknutím ovladače hlasitosti na hlavní jednotce nebo na dálkovém ovladači nastavte ovladač hlasitosti na požadovanou úroveň hlasitosti.

FM / FM stereofonní příjem

Při poslechu rádia FM stiskněte tlačítko ST./ MONO (B16) na dálkovém ovladači a přepněte mezi režimem stereo a mono. Pokud je jednotka ve stereofonním režimu, na displeji se zobrazí ikona ST stereo. Pokud přijímáte slabou stanici, je vhodnější přijímat program mono.

RADY PRO NEJLEPŠÍ PŘÍJEM:

FM - Pro nejlepší příjem v pásmu FM je drátová anténa FM umístěná na zadní straně přístroje by měl být zcela rozbalen a rozšířen.

POZNÁMKA: Automatické ladění závisí na síle signálu vysílací stanice, takže slabé stanice mohou být přeskočeny. Pokud je stanice přeskočena, můžete ručně naladit hledání slabých stanic. Při silných signálech se může tuner zastavit dříve, než dosáhne skutečně vysílací frekvence, takže pro nejlepší příjem budete možná muset ručně naladit.

PŘEDSTAVTE RÁDIO RÁDIO

1. Stisknutím tlačítka POWER / STANDBY (A1, B1) na hlavní jednotce nebo na dálkovém ovladači jednotku zapnete.
2. Klepnutím na tlačítko ZDROJ (A1, B1) na hlavní jednotce nebo na dálkovém ovladači vyberte režim rádia FM.
3. Stiskněte a podržte tlačítko pro sledování, sledování (A10, A11, B8, B18) na hlavní jednotce nebo na dálkovém ovladači, dokud nezačne hledat frekvence na displeji, a poté tlačítko uvolněte pro automatické vyhledávání a naprogramujte předvolené kanály. Na displeji se zobrazí „ PROG „ a bliká. Automatické vyhledávání a program se zastaví na P01 po dokončení skenování, na displeji se stále zobrazuje „ PROG “
- Poznámka: Pokud kanály uložené během automatického vyhledávání a naprogramované předvolby nejsou ty, které chcete uložit, použijte pro manuální uložení předvoleb rádia níže uvedenou metodu.
4. Naladíte požadovanou rozhlasovou stanici buď „ručně“ nebo „automaticky“ naladěním.
5. Klepněte na PROG . (B3) na dálkovém ovladači další dostupné číslo předvolby a blikající PROG . Na LCD displeji se zobrazí ikona (B3). (Poznámka: Pokud programujete přednastavení poprvé, na displeji se zobrazí „P01“.)
6. Klepněte na PRE. Pomocí tlačítka (B15, B19) na hlavní jednotce nebo na dálkovém ovladači vyberte číslo předvolby, které chcete stanici přiřadit.
7. Klepněte na PROG . (B3) Tlačítko pro potvrzení nastavení.
8. Opakováním výše uvedených kroků 4 - 8 uložte až 30 stanic FM.

PŘIPOMÍNÁJÍCÍ PAMĚTI PAMĚTI

V režimu rádia vyvolejte předvolené kanály stisknutím PRE. Tlačítko (B15, B19) na dálkovém ovladači opakovaně.

OBSLUHA PŘEHŘÁVAČE CD

Poznámka:

1. Tento přehrávač CD nebude přehrávat pouze komerční CD, ale také samostatně kompilované disky CD-R / RW a MP3. Nepokoušejte se přehrávat disky CD-ROM, CDI, VCD , DVD nebo počítače.
2. MP3 je forma komprese. Jedná se o zkratku, která znamená MPEG Audio Layer 3. MP3 je typ zvukového kódu, který je zpracováván významnou kompresí z původního zdroje zvuku s velmi malou ztrátou kvality zvuku.
 - Tento systém podporuje soubory MPEG 1 Layer 3 a VBR .
 - Během přehrávání souboru VBR se může počítadlo času na displeji lišit od skutečné doby přehrávání.
 - Bitrate podporovaný MP3 je 32 ~ 320 kbps

PŘEČTĚTE SI TENTO DŮLEŽITĚ INFORMACE:

Mechanismy CD používané v zařízeních, jako je tato, jsou navrženy pro čtení všech komerčních CD. Bude také číst samostatně kompilované disky CD-R / CD-RW, MP3, ale zahájení skutečného přehrávání může trvat až 10 sekund. Pokud se přehrávání nezačne, je to pravděpodobně kvůli kvalitě CD-R / RW , MP3 disku a / nebo kompatibilitě kompilačního softwaru CD. Výrobce neodpovídá za kvalitu přehrávání disků CD-R / RW , Mp3.

Na disk CD-R / RW nebo MP3 nepřilepujte štítek ani pečeť. Může to způsobit poruchu.

PŘEHŘÁVÁNÍ CD

1. Stisknutím tlačítka POWER / STANDBY (A1, B1) na hlavní jednotce nebo na dálkovém ovladači jednotku zapnete.
2. Klepnutím na tlačítko ZDROJ (A1, B1) na dálkovém ovladači nebo na hlavní jednotce vyberte režim CD a poté stiskněte Otevřít přihrádku na disk.
3. Umístíte zvukové CD na středové vřetenou stranou se štítkem směrem k CD DVEŘE. Zavřete přihrádku na disk.
4. Jednotka začne číst disk, na displeji se zobrazí „---“ a bliká. Po několika sekundách se celkový počet skladeb zobrazí za sekundu a na LCD DISPLEJI se zobrazí celkový čas CD.
5. Stiskněte tlačítko PLAY / PAUSE (A9, B22) na hlavní jednotce nebo na dálkovém ovladači, na displeji se zobrazí indikátor PLAY, CD se začne přehrávat od první skladby.
6. Stiskněte ovladač hlasitosti Nastavte hlasitost. na hlavní jednotce nebo na dálkovém ovladači pro nastavení požadované úrovně hlasitosti.
7. Pro pozastavení přehrávání stiskněte tlačítko PLAY / PAUSE (A9, B22) na hlavní jednotce nebo na dálkovém ovladači. Čas skladby bude pozastaven a na displeji se zobrazí indikátor PAUSE. Chcete-li pokračovat v přehrávání, stiskněte znovu tlačítko CD PLAY / PAUSE (A9, B22).
8. Můžete si vybrat, zda chcete svou oblíbenou skladbu přehrávat přímo stisknutím tlačítka Track Down, Track up (A10, A11, B8, B18). Na LCD displeji se zobrazí správné číslo zvolené skladby.
9. Chcete-li vyhledat konkrétní část v rámci stopy, stiskněte a podržte tlačítko Trasa dolů, Trasa nahoru (A10, A11, B8, B18), dokud není sekce nalezena. Uvolněním tlačítka pokračujte ve výběru.
10. Pro zastavení přehrávání stiskněte tlačítko STOP (A8, B25).

POSTUP PŘEHŘÁVÁNÍ MP3 DISKŮ

Pro přehrávání disků CD-R / RW, Mp3

1. Stiskněte tlačítko SOURCE (A1, B11) na dálkovém ovladači a vložte disk Mp3.
 2. Stisknutím tlačítka FOLDER (B15, B19) vyberte požadovanou složku pro přehrávání.
 3. Stisknutím tlačítka Track Down, Track up (A10, A11, B8, B18) vyberte požadovaný soubor, který chcete přehrát.
 4. Stiskněte PLAY / PAUSE (A9, B22). Spustí se přehrávání a zobrazí se název souboru.
- s V případě přehrávání se zapnutým režimem složky stiskněte tlačítko FOLDER (B15, B19) a složku lze vybrat, i když je v režimu přehrávání / pauzy. Bude pokračovat v režimu přehrávání / pauzy v 1. stopě vybrané složky.

PŘEHŘÁVÁNÍ PŘEHŘÁVAČE USB / MP3 S FOLDER

1. Opakovaným stisknutím tlačítka SOURCE (A1, B11) na dálkovém ovladači nebo tlačítka SOURCE (A1, B11) na hlavní jednotce vyberte funkci USB. Připojte paměťové zařízení USB, které obsahuje soubory formátu MP3 na zařízení. Po připojení paměti USB k hlavní jednotce se zobrazí informace o zařízení.
2. Stisknutím tlačítka FOLDER (B15, B19) vyberte požadovanou složku pro přehrávání. Chcete-li zahájit přehrávání se zapnutým režimem složky, přejděte ke složce.

3. Stisknutím tlačítka Track Down, Track up (A10, A11, B8, B18) vyberte požadovaný soubor, který chcete přehrát.

4. Stiskněte PLAY / PAUSE (A9, B22). Spustí se přehrávání a zobrazí se název souboru.

POZNÁMKA:

- Tento produkt není kompatibilní se systémy souborů MTP a AAC z velkokapacitního paměťového zařízení USB nebo přehrávače Mp3.
- Tato jednotka podporuje FAT16 a FAT32, ale některá úložná média USB nemusí podporovat oba systémy souborů. Podrobnosti naleznete v provozní příručce příslušného paměťového zařízení USB nebo se obraťte na výrobce.

REŽIM SKIP A VYHLEDÁVÁNÍ

1. V režimu Přehrávání nebo Pauza klepněte na tlačítko Sledovat dolů, Sledovat nahoru (A10, A11, B8, B18) pro přechod na další stopu nebo návrat na začátek aktuální stopy.

2. Během přehrávání stiskněte a podržte tlačítko Track Down, Track up (A10, A11, B8, B18) a prohledejte aktuální stopu se zvukovým vysokorychlostním přehráváním.

RŮZNÉ REŽIMY PŘEHRÁVÁNÍ (POUZE DÁLKOVÉ OVLÁDÁNÍ)

Opakovaným stisknutím tlačítka REPEAT (B6) na dálkovém ovladači vyberte při přehrávání CD různé režimy přehrávání.

Při přehrávání CD jsou režimy přehrávání zobrazeny níže:

Opakovat

Opakujte vše

Normální

REPEAT 1 - přehrávaná skladba a bude se opakovat nepřetržitě. Opakujte jednu ikonu „REPEAT 1“ se zobrazí na displeji.

REPEAT ALL - všechny skladby se budou opakovat nepřetržitě. Na displeji se zobrazí ikona „REPEAT ALL“.

NÁHODNÉ HRA

Když stisknete tlačítko RANDOM (B20) třikrát, na LCD displeji se rozsvítí indikátor „RDM“. Skladby na disku lze automaticky přehrávat v náhodném pořadí.

Zrušení náhodného přehrávání:

Stiskněte znovu tlačítko RANDOM (B20). Indikátor „RDM“ zmizí.

POZNÁMKA:

Pokud během náhodného přehrávání stisknete tlačítko, můžete se přesunout na skladbu vybranou další náhodnou operací. Na druhé straně tlačítko neumožňuje přejít na předchozí stopu. Bude umístěn začátek přehrávané skladby.

Při náhodném přehrávání jednotka vybere a přehraje skladby automaticky. (Nelze vybrat pořadí skladeb.)

PŘEHRÁVÁNÍ

1. Stiskněte INTRO (B20) na dálkovém ovladači. Na displeji se zobrazí indikátor „INTRO (B20)“.

Jednotka přehraje prvních 10 sekund každé stopy.

2. Opětovným stisknutím tlačítka INTRO (B20) na dálkovém ovladači obnovíte normální přehrávání.

Hrajte programování sekvencí sledování

Tato funkce umožňuje přehrávání skladeb v naprogramované sekvenci. Uživatel může naprogramovat až 32 skladeb v režimu CD nebo 99 skladeb v MP3 v libovolném

POZNÁMKA: Program lze nastavit pouze v režimu STOP.

1. Klepněte na PROG. Tlačítko (B3) na dálkovém ovladači zobrazuje na displeji číslo programu „1“, na displeji LCD bliká „PROG“ a číslo skladby CD „-“ (Poznámka: Pokud programujete poprvé, na displeji se zobrazí „1 -“).

2. Požadovanou skladbu vyberte pomocí funkce Track Down, Track up (A10, A11, B8, B18) na hlavní jednotce nebo na dálkovém ovladači.

Na displeji se zobrazí číslo skladby.

3. Klepněte na PROG. Tlačítko (B3) na hlavní jednotce nebo dálkovém ovladači pro uložení vybrané skladby do paměti, další číslo programu posune o jednu (tj. „2“) na LCD displeji.

4. Opakováním kroků 2 až 3 uložte do paměti další skladby. Můžete uložit až 32 skladeb MP3 99. Po naprogramování skladeb se na displeji zobrazí „FUL“.

5. Klepněte na PLAY / PAUSE (A9, B22), na hlavní jednotce nebo na dálkovém ovladači pro spuštění přehrávání CD v naprogramované sekvenci.

6. Stisknutím tlačítka REPEAT (B6) na dálkovém ovladači vyberte v případě potřeby možnost Opakovat 1 / Vše.

7. Pro zastavení přehrávání stiskněte tlačítko STOP (A8, B25) na hlavní jednotce nebo na dálkovém ovladači.

Pro zrušení přehrávání programu stiskněte dvakrát tlačítko STOP (A8, B25) na hlavní jednotce nebo na dálkovém ovladači, na displeji zmizí ikona „PROG“.

PROVOZ BLUETOOTH

Stisknutím tlačítka POWER / STANDBY (A1, B1) jednotku zapnete a připojte se pomocí Bluetooth podle níže uvedených pokynů.

PAIRING (Propojení) mobilního telefonu aktivovaného BLUETOOTH NEBO JINÉHO ZAŘÍZENÍ BLUETOOTH aktivovaného do zařízení Pokud CR 1173 ještě nikdy nebyl spárován se zařízením Bluetooth. Chcete-li propojit zařízení se zařízením Bluetooth, musíte dodržovat níže uvedené pokyny pro párování.

1. Stisknutím tlačítka POWER / STANDBY (A1, B1) na hlavní jednotce nebo na dálkovém ovladači jednotku zapnete.

2. Klepnutím na tlačítko ZDROJ (A1, B1) na hlavní nebo dálkovém ovladači vyberte režim Bluetooth, na displeji se zobrazí a bliká zpráva „bt“ Bluetooth.

3. Pokud CR 1173 nikdy nebyl spárován se zařízením Bluetooth dříve nebo nemůže najít poslední spárované zařízení, blikající „bt“ na LCD displeji indikuje, že XXX je v režimu vyhledávání. Chcete-li propojit zařízení se zařízením Bluetooth, musíte dodržovat níže uvedené pokyny pro párování.

· Zapněte funkci Bluetooth zařízení Bluetooth a povolte funkci vyhledávání nebo skenování pro nalezení CR 1173.

· Vyberte ze seznamu zařízení „CR 1173“, když se objeví na obrazovce zařízení. V případě potřeby zadejte přístupový kód „0000“ pro spárování (propojení) CR 1173 s vaším zařízením.

4. Po úspěšném párování (propojení) se displej změní na „bt“ trvale, na displeji se také zobrazí ikona Bluetooth. Můžete zahájit bezdrátové přehrávání hudby ze zařízení Bluetooth do reproduktoru.
5. Po výběru oblíbené skladby stiskněte PLAY PAUSE (B22, A9) na přístroji nebo na dálkovém ovladači pro přehrávání nebo pozastavení skladby.
6. Stisknutím ovladače hlasitosti na hlavní jednotce nebo na dálkovém ovladači nastavte požadovanou úroveň hlasitosti.
7. Stisknutím tlačítka Track Down, Track up (B8, B9) na hlavní jednotce nebo na dálkovém ovladači přeskočte na předchozí nebo následující skladbu.
8. Pokud chcete zařízení spárovat s jiným zařízením podporujícím Bluetooth, stiskněte a podržte tlačítko PAIR (B10) po dobu 3 sekund nebo vypněte funkci Bluetooth zařízení aktuálně spárovaného se zařízením a opakujte krok 3 výše.

Poznámky:

- 1.) Informace o provozu Bluetooth naleznete v příručce k vašemu mobilnímu telefonu, počítači Tablet PC, počítači nebo jinému zařízení Bluetooth, protože se může u jednotlivých modelů lišit.
- 2.) Pokud vaše zařízení s podporou Bluetooth nepodporuje profil A2DP, nebude přehrávat hudbu přes reproduktor, i když je spárován (propojen).
- 3.) Pokud spárujete (propojujete) svůj počítač s jednotkou pomocí Bluetooth, možná budete muset nastavit reproduktor jako výchozí zvukové zařízení počítače.

OPERACE POMOCNÉHO VSTUPU

Tato jednotka je vybavena vstupním konektorem pomocného zvukového signálu pro připojení externích zvukových zařízení, jako jsou MP3 přehrávače, digitální zvukové zařízení a jejich poslech prostřednictvím reproduktorů této jednotky.

1. Použijte audio kabel (není součástí dodávky) s jedním 3,5 mm stereo konektorem na každém konci kabelu.

2. Jeden konec zapojte do AUX IN JACK (A5) na hlavní jednotce a druhý konec kabelu do konektoru Line-out Jack nebo Headphone na externím zvukovém zařízení.

3. Zapněte jednotku a externí zvukové zařízení.

4. Klepnutím na tlačítko ZDROJ (A1, B11) na hlavním nebo dálkovém ovladači vyberte režim AUX, ikona „AUX“ se rozsvítí, na displeji se zobrazí zpráva „AUX“.

5. Hlasitost lze nyní ovládat prostřednictvím hlavní jednotky. Všechny ostatní funkce pomocného zařízení ovládejte obvyklým způsobem.

Poznámka:

- Pokud připojíte toto zařízení k zásuvce Line-Out na externím zařízení, stačí upravit nastavení hlasitosti tohoto zařízení. Pokud připojíte konektor sluchátek vašeho externího zařízení, možná budete muset upravit ovladače hlasitosti vašeho externího zařízení i tohoto přístroje, abyste získali požadované nastavení hlasitosti.

PRESET EQ (POUZE DÁLKOVÉ OVLÁDÁNÍ)

Tato jednotka poskytuje 4 různé režimy ekvalizéru, které vylepšují váš zážitek z poslechu. Požadovaný efekt můžete vybrat opakovaným stisknutím tlačítka EQ (B5) na dálkovém ovladači v následujícím pořadí:

ROCK POP JAZZ CLASSIC OFF

TLAČÍTKO MUTE (POUZE DÁLKOVÉ OVLÁDÁNÍ)

- Stisknutím tlačítka MUTE (B21) na dálkovém ovladači dočasně vypnete zvuk z reproduktoru. Na displeji se zobrazí „V 00“.
- Stisknutím tlačítka MUTE (B21) nebo VOLUME CONTROL (B23, A12) obnovíte normální přehrávání reproduktorů.

OPERACE SPÁNKU (POUZE DÁLKOVÉ OVLÁDÁNÍ)

Časovač vypnutí umožňuje vypnout přístroj po dosažení stanoveného času.

1. Chcete-li aktivovat časovač vypnutí, zapněte přístroj a poklepejte na tlačítko ZDROJ (A1, B11), abyste vybrali rádio FM, CD, USB, Bluetooth nebo poslouchali hudbu přes AUX IN.
2. Klepněte na tlačítko SLEEP (B14) na dálkovém ovladači, na displeji se zobrazí ikona režimu spánku „SLEEP“.
3. Opakovaným klepnutím na tlačítko SLEEP (B14) vyberte dobu spánku. Jednotka se vypne po 10, 20, 30, 40, 50, 60, 70, 80 nebo 90 minutách. Po výběru počkejte 3 sekundy, než jednotka potvrdí výběr, jednotka bude hrát po zvolenou dobu a poté se automaticky vypne.
4. Chcete-li časovač vypnutí zrušit, opakovaně poklepejte na tlačítko SLEEP (B14), dokud se na displeji nezobrazí „OFF“, na displeji zmizí ikona „SLEEP“.
5. Chcete-li jednotku vypnout před zvolenou dobou, stiskněte kdykoli tlačítko POWER / STANDBY (A1, B1).

Poznámky:

- 1.) Chcete-li zkontrolovat zbývajícím čas spánku, klepněte jednou na tlačítko SLEEP (B14).
- 2.) Pokud usínáte z hudby z externího zařízení připojeného ke vstupu AUX, časovač vypnutí vypne napájení tohoto systému, ale nevypne externí zařízení.

POUŽITÍ SLUCHÁTKŮ (NEZAHRNUTÉ)

Zasunutím konektoru sluchátek do stereofoonního konektoru pro sluchátka (A17) budete moci soukromě poslouchat hudbu na CD nebo rádiu. Při použití sluchátek budou vestavěné reproduktory odpojeny.

PŘED POUŽITÍM SLEDOVAČÍCH SLUCHŮ si přečtěte tyto důležité informace

1. Vyhnete se prodloužené hře při velmi vysoké hlasitosti, protože by to mohlo zhoršit váš sluch.
2. Pokud ucítíte zvonění v uších, snižte hlasitost nebo vypněte jednotku.
3. Udržujte hlasitost na rozumné úrovni, i když je náhlavní souprava pod širým nebem navržena tak, aby vám umožňovala slyšet vnější zvuky. Pamatujte, že příliš vysoká hlasitost může stále blokovat vnější zvuky.

RESETOVÁNÍ

Pokud systém nereaguje nebo má nepravidelný provoz, pravděpodobně došlo k elektrostatickému výboji (ESD) nebo k přepětí, které spustilo interní počítač, aby se automaticky vypnul. Pokud k tomu dojde, odpojte napájecí kabel ze zdroje napájení, počkejte 60 sekund a potom znovu připojte napájecí kabel ke zdroji napájení. Jednotka bude resetována, musíte nastavit hodiny, budík a přednastavené

rozhlasové kanály.

ПЕЧЕ А ÚDRŽBA

1. Nevystavujte jednotku nadměrným silám, nárazům, prachu ani extrémním teplotám (nad 40 ° C).
2. Neupravujte vnitřní součásti jednotky.
3. Vyčistěte jednotku suchým hadříkem. Rozpouštědlo nebo saponát by se nikdy neměl používat.
4. Nenechávejte jednotku na přímém slunci ani na horkých, vlhkých nebo prašných místech.
5. Udržujte jednotku mimo dosah topných zařízení a zdrojů elektrického šumu, jako jsou zářivky nebo motory.
6. Pokud během přehrávání CD dojde k vypadkům nebo přerušení hudby nebo pokud se disk CD vůbec nepřehrává, jeho spodní povrch může vyžadovat vyčištění. Před přehráváním otřete disk ze středu ven pomocí měkkého čistícího hadříku.

ČIŠTĚNÍ JEDNOTKY

- Aby nedošlo k požáru nebo úrazu elektrickým proudem, při čištění odpojte zařízení od zdroje střídavého proudu.
- Povrchová úprava jednotky může být očištěna prachovým hadříkem a ošetřována jako další nábytek. Při čištění a stírání plastových částí postupujte opatrně.
- Pokud je skříň zaprášená, otřete ji měkkým suchým hadříkem. Na skříň nepoužívejte žádný vosk ani polské spreje.
- Pokud dojde k zašpinění nebo rozmazání předního panelu otisky prstů, lze jej vyčistit měkkým hadříkem navlhčeným jemným mýdlem a vodou. Nikdy nepoužívejte abrazivní látky ani leštidla, protože by mohly poškodit povrchovou úpravu jednotky.

UPOZORNĚNÍ: Během čištění nikdy nedovolte, aby se do jednotky dostala voda nebo jiné tekutiny

Technická data:

Požadavky na napájení:

Hlavní jednotka: 230 V ~ 50 Hz

Dálkový ovladač: CR2025 3V

Sekce přehrávače DISC

Systém: Kompaktní disk a digitální audio systém Laser Diode Properties

Emisní doba: Nepřetržitá

Laserový výstup: méně než 44,6 mW (Tento výstup je měření hodnoty ve vzdálenosti 200 mm od povrchu objektivu objektivu na optickém snímacím bloku s clonou 7 mm.)

Rozsah frekvencí

Sekce FM tuneru:

Rozsah ladění: 87,5 MHz - 108,0 MHz (krok 50 kHz.)

Výkon reproduktoru: 2x 5 W

Max: 28W



Ochrana životního prostředí. Kartón odevzdejte do sběru. Polyetylénové sáčky (PE) vyhazujte do kontejneru na plasty. Vysloužilý přístroj odevzdejte do příslušného sběrného dvoru, protože některé části zařízení mohou představovat pro životní prostředí nebezpečí. Elektrický přístroj odevzdejte tak, aby se omezilo jeho opětovné používání. Pokud jsou v přístroji baterie, vyjměte je a odevzdejte do příslušného sběrného místa zvlášť. Přístroj nevyhazujte do popelnic ani kontejneru na směsný odpad!!

(RU) РУССКИЙ

УСЛОВИЯ БЕЗОПАСНОСТИ ВАЖНЫЕ ИНСТРУКЦИИ ПО БЕЗОПАСНОСТИ ИСПОЛЬЗОВАНИЯ, ПОЖАЛУЙСТА, ВНИМАТЕЛЬНО ПРОЧИТАЙТЕ И СОХРАНИТЕ БУДУЩУЮ ССЫЛКУ

Условия гарантии отличаются, если устройство используется в коммерческих целях.

1. Перед использованием продукта, пожалуйста, внимательно прочитайте и всегда соблюдайте следующие инструкции. Производитель не несет ответственности за любой ущерб, вызванный неправильным использованием.
2. Продукт предназначен только для использования в помещении. Не используйте продукт для каких-либо целей, которые не совместимы с его применением.
3. Применяемое напряжение 230 В, ~ 50 Гц. В целях безопасности нецелесообразно подключать несколько устройств к одной розетке.
4. Пожалуйста, будьте осторожны при использовании вокруг детей. Не позволяйте детям играть с продуктом. Не позволяйте детям или людям, которые не знают устройство, использовать его без присмотра.
5. ПРЕДУПРЕЖДЕНИЕ. Данное устройство может использоваться детьми старше 8 лет и лицами с ограниченными физическими, сенсорными или умственными способностями или лицами, не имеющими опыта или знаний об устройстве, только под наблюдением лица, ответственного за их безопасность, или если они были проинструктированы о безопасном использовании устройства и знают об опасностях,

связанных с его эксплуатацией. Дети не должны играть с устройством. Чистка и техническое обслуживание устройства не должны выполняться детьми, за исключением случаев, когда им исполнилось 8 лет, и эти действия выполняются под наблюдением.

6. После того, как вы закончили пользоваться продуктом, всегда не забывайте аккуратно вынимать вилку из розетки, держащую розетку рукой. Никогда не тяните за кабель питания!

7. Никогда не кладите кабель питания, вилку или все устройство в воду. Никогда не подвергайте изделие воздействию атмосферных условий, таких как прямой солнечный свет, дождь и т. Д. Никогда не используйте изделие во влажных условиях.

8. Периодически проверяйте состояние кабеля питания. Если кабель питания поврежден, изделие следует заменить в месте профессионального обслуживания для замены во избежание опасных ситуаций.

9. Никогда не используйте изделие с поврежденным кабелем питания, или если оно упало или повреждено каким-либо иным способом, или если оно не работает должным образом. Не пытайтесь отремонтировать неисправное изделие самостоятельно, так как это может привести к поражению электрическим током. Всегда обращайтесь поврежденное устройство в место профессионального обслуживания, чтобы отремонтировать его. Все ремонтные работы могут быть выполнены только авторизованными специалистами по обслуживанию. Неправильный ремонт может привести к опасным ситуациям для пользователя.

10. Никогда не кладите изделие на горячие или теплые поверхности или кухонные приборы, такие как электрическая духовка или газовая горелка, или рядом с ними.

11. Никогда не используйте продукт, близкий к горючим.

12. Не допускайте, чтобы шнур свисал с края стойки и не касался горячих поверхностей.

13. Никогда не оставляйте изделие подключенным к источнику питания без присмотра. Даже если использование на короткое время прерывается, отключите его от сети и отключите питание.

14. Для обеспечения дополнительной защиты рекомендуется устанавливать в цепи питания устройство защитного отключения (УЗО) с номинальным током не более 30 мА. Свяжитесь с профессиональным электриком по этому вопросу.

15. Избегайте попадания влаги на радио.

16. Радио следует протирать только сухой тканью. Не используйте воду или чистящие жидкости.

17. Радио должно храниться в сухом помещении.

DEVICE:

1. ИНДИКАТОР РЕЖИМА ВКЛЮЧЕНИЯ / ВЫКЛЮЧЕНИЯ ПИТАНИЯ
2. ИСТОЧНИК
3. УСТАНОВКА ВРЕМЕНИ / КНОПКА ПАМЯТИ
4. ТЮНЕРНЫЙ КАНАЛ - 5. AUX IN 6. USB 7. ТЮНЕРНЫЙ КАНАЛ +
8. КНОПКА СТОП-КОМПАКТ-ДИСКА / ПАРНАЯ КНОПКА BLUETOOTH
9. CD / BLUETOOTH PLAY / PAUSE / РАДИО АВТО КНОПКА ПОИСКА
10. CD / BLUETOOTH SKIP ПРЕДЫДУЩАЯ / TUNE - КНОПКА
11. CD / BLUETOOTH SKIP NEXT / TUNE + КНОПКА
12. Ручка управления громкостью
13. ЖК-дисплей
14. CD DOOR OPEN / CLOSE BUTTON
15. CD DOOR
16. FM АНТЕННА
17. НАУШНИК В НАУШНИКЕ
18. РАЗЪЕМ ПРАВОГО ДИНАМИКА
19. РАЗЪЕМ ПРАВОГО СПИКЕРА
20. АДАПТЕР ПИТАНИЯ ПОСТОЯННОГО ТОКА
21. ДВЕРЬ ОТДЕЛА БАТАРЕИ

ДИСТАНЦИОННОЕ УПРАВЛЕНИЕ:

1. ИНДИКАТОР РЕЖИМА ВКЛЮЧЕНИЯ / ВЫКЛЮЧЕНИЯ ПИТАНИЯ
2. КНОПКА ПРЯМОГО ПОИСКА
3. ПРОГ. - КНОПКА
4. КНОПКА CD / USB TRACK DOWN ИЛИ ВРЕМЯ ВНИЗ, КНОПКА TUNER ВНИЗ.
5. КНОПКА УРАВНИТЕЛЯ
6. КНОПКА СОВЕРШЕНИЯ
7. КНОПКА X-BASE
8. КНОПКА ОТКЛЮЧЕНИЯ
9. CD / BLUETOOTH PLAY / PAUSE / РАДИО АВТО КНОПКА ПОИСКА
10. CD / BLUETOOTH SKIP ПРЕДЫДУЩАЯ / TUNE - КНОПКА
11. CD / BLUETOOTH SKIP NEXT / TUNE + КНОПКА
12. ЧАСЫ НАБОР
13. ЖК-ДИСПЛЕЙ
14. CD ДВЕРЬ ОТКРЫТЬ / ЗАКРЫТЬ КНОПКУ

15. CD DOOR 16. FM ANTENNA 17. Разъем для наушников
18. ПРАВЫЙ РАЗЪЕМ СПИКЕРА 19. ЛЕВОЙ РАЗЪЕМ СПИКЕРА
20. СЛУЧАЙНАЯ КНОПКА И ВВОДНАЯ КНОПКА 21. ДВЕРЬ ОТДЕЛКИ АККУМУЛЯТОРА
22. BT PLAY / PAUSE КНОПКА 23. ГРОМКОСТЬ ВНИЗ КНОПКИ
24. КНОПКА ВОСПРОИЗВЕДЕНИЯ / ПАУЗЫ CD 25. КНОПКА ОСТАНОВКИ CD

СИСТЕМНЫЕ СОЕДИНЕНИЯ

Перед выполнением любых подключений обязательно отсоединяйте шнур питания переменного тока от электрической розетки. Подключение к сети переменного тока
Подключите шнур питания переменного тока к доступной розетке переменного тока 230 В ~ 50 Гц. Убедитесь, что вилка надежно вставлена в розетку переменного тока.

Установка аккумуляторов для резервного аккумулятора

1. Снимите крышку батарейного отсека, расположенную в нижней части основного блока.
2. Следуйте маркировке полярности внутри батарейного отсека и вставьте 2 батарейки AAA (не входят в комплект) в два батарейных отсека, расположенных в батарейном отсеке.
3. Установите крышку батарейного отсека.

ЗАМЕТКИ:

- При замене резервных батарей не отсоединяйте шнур питания переменного тока от сетевой розетки. Если вы это сделаете, все текущие настройки даты и времени будут удалены.
- Если устройство не будет подключено к электросети в течение длительного периода времени, извлеките батареи, чтобы избежать любого повреждения, которое может произойти, если батареи протекут и вызовут коррозию.

Дистанционное управление

Пульт дистанционного управления работает от одной литиевой батареи CR2025 3V (входит в комплект поставки пульта). Чтобы активировать пульт дистанционного управления, удалите язычок изолятора, вставленный в батарейный отсек.

Если дистанционное управление становится прерывистым или неудовлетворительным, замените оригинальную батарею новой литиевой батареей CR2025 3V.

1. Нажмите на крышку отсека, вытащите держатель батареи из корпуса пульта дистанционного управления.
2. Замените батарею, убедившись, что батарея установлена правильно. Пульт не будет работать, если батарея установлена с неправильной полярностью.

ВНИМАНИЕ:

- 1.) Опасность взрыва при неправильной замене батареи.
- 2.) Заменяйте только батарею того же или эквивалентного типа.
- 3.) Вставьте держатель батареи обратно в отсек для батареи.

ВКЛЮЧЕНИЕ / ВЫКЛЮЧЕНИЕ БЛОКА

1. В режиме выключения (ожидания) нажмите кнопку POWER / STANDBY (A1, B1) на основном устройстве или пульте дистанционного управления, чтобы включить устройство. Устройство включится, на ЖК-дисплее отобразится значок последнего выбранного режима ввода.
2. Чтобы выключить устройство (режим ожидания), снова нажмите кнопку включения / выключения питания (A1, B1) на основном устройстве или пульте дистанционного управления. ЖК-дисплей погаснет и покажет текущее время. Загорается индикатор режима ожидания.

УСТАНОВКА ЧАСОВ

После подключения к сети переменного тока на ЖК-дисплее появится сообщение «00:00» и начнет мигать.

1. В режиме отключения питания (в режиме ожидания) нажмите и удерживайте кнопку CLOCK SET (B13) на пульте дистанционного управления или основном устройстве, на дисплее отобразится 24-часовой формат «24H».
2. Нажмите кнопку «Предыдущая / Следующая» (B4, B18) на пульте дистанционного управления или основном устройстве, чтобы выбрать 24-часовой формат, если это необходимо. В противном случае нажмите кнопку CLOCK SET (B12), чтобы подтвердить формат 12-часовых часов и войти в режим настройки часов, цифры часов будут мигать.
3. Нажмите кнопку «Предыдущая / Следующая» (B4, B18) на пульте дистанционного управления или основном устройстве, чтобы настроить время. Нажмите и удерживайте кнопку для быстрой установки вперед / назад.
Примечание. Убедитесь, что часы установлены так, чтобы индикатор PM отображался правильно.
4. Нажмите кнопку CLOCK SET (B12) на пульте дистанционного управления, чтобы подтвердить настройку часа, цифры минут будут мигать, чтобы запросить ввод.
5. Нажмите кнопку «Предыдущая / Следующая» (B4, B18) на пульте дистанционного управления или основном устройстве, чтобы настроить минуты. Нажмите и удерживайте кнопку для быстрой установки вперед / назад.
6. Еще раз нажмите кнопку CLOCK SET (B12) на пульте дистанционного управления, чтобы завершить настройку.

ПРИМЕЧАНИЕ. Предварительные установки часов и радиостанции необходимо будет сбросить в случае сбоя питания или в случае сбоя питания. На ЖК-дисплее появится «00:00» и начнет мигать, чтобы уведомить вас о том, что питание было прервано, и часы необходимо будет сбросить. Пожалуйста, выполните шаги 1-6 выше для сброса часов.

ПРОВЕРКА ЧАСОВ

Устройство покажет текущее время в режиме ожидания. Чтобы проверить текущее время в режиме включения питания, нажмите и удерживайте кнопку CLOCK SET (B12) на основном блоке или пульте дистанционного управления в течение 3 секунд, текущее время будет отображаться в течение 5 секунд, а затем вернется к предыдущему экрану.

РАБОТА ТРЕВОГИ (ТОЛЬКО ДИСТАНЦИОННОЕ УПРАВЛЕНИЕ) УСТАНОВКА ЧАСОВ ТРЕВОГИ

Эта функция позволяет системе автоматически включаться и разбудить вас с помощью звукового сигнала, CD, USB или BU-RADIO.

1. Нажмите и удерживайте кнопку ТИМЕР (B13) на пульте дистанционного управления, пока на дисплее не появится надпись «Вкл», и цифры часа не начнут мигать.
2. Нажимайте кнопки «Предыдущая / Следующая» (B4, B18), чтобы настроить цифры часа, а затем нажмите кнопку TIMER для подтверждения. Цифры минут будут мигать на дисплее.
3. Нажимайте кнопки «Предыдущая / Следующая» (B4, B18), чтобы отрегулировать цифры минут, а затем нажмите кнопку TIMER (B13) для подтверждения.
4. Когда установлена кнопка включения таймера «Предыдущая / Следующая» (B4, B18), на дисплее будет отображаться «OFF», а цифры часов будут мигать.
5. Нажимайте кнопки «Предыдущая / Следующая» (B4, B18), чтобы отрегулировать цифры часа, а затем нажмите кнопку TIMER (B13) для подтверждения. Цифры минут будут мигать на дисплее.
6. Нажимайте кнопки «Предыдущая / Следующая» (B4, B18) на пульте дистанционного управления, чтобы отрегулировать цифры минут, а затем нажмите кнопку TIMER для подтверждения.
7. С помощью кнопок выберите режим CD, USB, BT или FM, затем нажмите кнопку TIMER (B13) для подтверждения. Дисплей покажет «VOL #» и начнет мигать.

Нажмите кнопки «Предыдущая / Следующая» (B4, B18), чтобы отрегулировать громкость, а затем нажмите кнопку TIMER для подтверждения.

8. Нажмите кнопку TIMER (B13), чтобы выбрать «Timer On», и таймер теперь поставил.
9. В режиме ожидания на дисплее отобразится значок таймера, указывающий, что таймер включен.

NOTA:

- 1.) Если выбрано «Wake to CD, USB», но компакт-диск не вставлен, по умолчанию будильник автоматически подает звуковой сигнал при достижении времени пробуждения будильника.
- 2.) Для «Wake to Radio» система по умолчанию будет использовать последнюю FM-радиостанцию, прослушиваемую перед выключением.
- 3.) Тревога crescendo увеличится до установленного вами уровня громкости.

АКТИВНАЯ / ДЕ-АКТИВНАЯ ФУНКЦИЯ ТРЕВОГИ

1. Чтобы активировать ALARM, один раз нажмите кнопку TIMER (B13), и на дисплее отобразится значок будильника.
2. Отмените функцию ALARM, снова нажав кнопку TIMER (B13). Значок будильника погаснет.

Будильник на радио, CD, USB или BUZZER Alarm

- Когда время будильника достигнуто, звуковой сигнал CD, USB или радио будет звучать в течение 60 минут, затем он отключается и перезагружается на следующий день (без нажатия кнопки повтора).
- Чтобы немедленно отключить сигнал будильника, коснитесь кнопки POWER / STANDBY (A1, B1) на пульте дистанционного управления или на основном устройстве один раз. Сбрасывает себя на следующий день.
- Чтобы отменить будильник следующего дня, один раз нажмите КНОПКУ ТИМЕРА (B13), значок ALARM погаснет.

РАДИО-ОПЕРАЦИЯ

1. Нажмите кнопку POWER / STANDBY (A1, B1) на основном устройстве или пульте дистанционного управления, чтобы включить устройство.
2. Нажмите кнопку SOURCE (A1, B11) на основном устройстве или пульте дистанционного управления, чтобы выбрать режим FM, на дисплее отобразится частота FM-радио.
3. Чтобы вручную настроиться на определенную радиостанцию, несколько раз коснитесь Track Down, Track up (A10, A11, B8, B18) на основном устройстве или пульте дистанционного управления. Используйте метод ручной настройки для настройки на более слабые станции, которые обойдены во время автоматической настройки.
4. Чтобы автоматически настроиться на следующую доступную радиостанцию, нажмите и удерживайте кнопку «Track Down» (A10, A11, B8, B18) на основном устройстве или пульте дистанционного управления в течение 1-2 секунд, пока не начнется сканирование показаний частоты на дисплее, а затем отпустите кнопку. Тюнер прекратит сканирование, когда получит следующую радиостанцию с достаточным уровнем сигнала.
5. Нажмите регулятор громкости на основном блоке или пульте дистанционного управления, чтобы отрегулировать громкость до желаемого уровня громкости.

FM / FM стерео прием

При прослушивании FM-радио нажмите кнопку ST / MONO (B16) на пульте дистанционного управления, чтобы переключиться между стереофоническим и монофоническим режимами. Значок стерео FM «ST» появится на дисплее, если устройство находится в режиме стерео. Желательно получать программу в моно, когда вы принимаете слабую станцию.

СОВЕТЫ ДЛЯ ЛУЧШЕГО ПОЛУЧЕНИЯ:

FM - Для лучшего приема FM, антенна провода FM, расположенная на задней панели устройства должен быть полностью развернут и расширен.

ПРИМЕЧАНИЕ. Автоматическая настройка зависит от уровня сигнала вещательной станции, поэтому слабые станции могут быть пропущены. Вы можете вручную настроить слабые станции, если станция пропускается. При наличии сильных сигналов тюнер может остановиться до того, как он достигнет фактической частоты вещания, поэтому может потребоваться ручная настройка для лучшего приема.

PRESET РАДИОСТАНЦИИ

1. Нажмите кнопку POWER / STANDBY (A1, B1) на основном устройстве или пульте дистанционного управления, чтобы включить устройство.

2. Нажмите кнопку SOURCE (A1, B11) на основном устройстве или пульте дистанционного управления, чтобы выбрать режим FM-радио.
3. Нажмите и удерживайте нажатой кнопку Track Down, Track Up (A10, A11, B8, B18) на основном блоке или пульте дистанционного управления, пока показания частоты на дисплее не начнут сканироваться, а затем отпустите кнопку для автоматического поиска и программирования предварительно настроенных каналов. « PROG » появляется на дисплее и мигает. Автоматический поиск и программа останавливаются на P01 после завершения сканирования, на дисплее постоянно отображается « PROG ».
- Примечание. Если каналы, сохраненные во время автоматического поиска и запрограммированной предустановки, не являются теми, которые вы хотите сохранить, используйте метод, указанный ниже, для ручного сохранения предустановок радиостанции.
4. Настройтесь на нужную радиостанцию «ручную» или «автоматически» методом настройки.
5. Нажмите ПРОГ . (B3) на пульте дистанционного управления, следующий доступный номер памяти предустановок и мигающий ПРОГ . (B3) значок появится на ЖК-дисплее. (Примечание: «P01» будет отображаться на дисплее, если вы программируете пресет в первый раз)
6. Нажмите PRE. Кнопка (B15, B19) на основном устройстве или пульте дистанционного управления, чтобы выбрать номер предустановки, которому вы хотите назначить станцию.
7. Нажмите ПРОГ . (B3) Кнопка для подтверждения настройки.
8. Повторите вышеуказанные шаги 4 - 8 для предварительной настройки до 30 FM-станций.

НАПОМИНАНИЕ ПРЕДВАРИТЕЛЬНЫХ КАНАЛОВ ПАМЯТИ

В режиме радио вызовите предварительно настроенные каналы, нажав кнопку PRE. Кнопка (B15, B19) на пульте дистанционного управления несколько раз.

CD плеер

Замечания:

1. Этот проигрыватель компакт-дисков будет воспроизводить не только коммерческие компакт-диски, но также и самостоятельно скопированные CD-R / RW, MP3-диски. Не пытайтесь воспроизводить CD-ROM, CDI, VCD, DVD или компьютерные CD.
2. MP3 - это форма сжатия. Это аббревиатура, обозначающая MPEG Audio Layer 3. MP3 - это тип аудиокода, который обрабатывается путем значительного сжатия исходного аудиосигнала с минимальными потерями в качестве звука.
 - Эта система поддерживает файлы MPEG 1 Layer 3 и VBR .
 - Во время воспроизведения файла VBR счетчик времени на дисплее может отличаться от его фактического времени воспроизведения.
 - Битрейт, поддерживаемый MP3, составляет 32 ~ 320 кбит / с.

ПОЖАЛУЙСТА, ПРОЧИТАЙТЕ ЭТУ ВАЖНУЮ ИНФОРМАЦИЮ:

Механизмы CD, используемые в подобных устройствах, предназначены для чтения всех коммерческих CD. Он также будет читать самостоятельно скопированные CD-R / CD-RW, MP3-диски, но для начала фактического воспроизведения может потребоваться до 10 секунд. Если воспроизведение не начинается, это, вероятно, связано с качеством CD-R / RW, диска MP3 и / или совместимостью программного обеспечения для компиляции CD. Производитель не несет ответственности за качество воспроизведения CD-R / RW, MP3-дисков.

Не прикрепляйте наклейку или печать ни на одну из сторон диска CD-R / RW, MP3. Это может привести к неисправности.

ВОСПРОИЗВЕДЕНИЕ CD

1. Нажмите кнопку POWER / STANDBY (A1, B1) на основном устройстве или пульте дистанционного управления, чтобы включить устройство.
2. Нажмите кнопку SOURCE (A1, B11) на пульте дистанционного управления или основном устройстве, чтобы выбрать режим CD, а затем нажмите кнопку Открыть отделение для диска.
3. Поместите аудио-CD на центральный шпиндель так, чтобы сторона с этикеткой была обращена к CD DOOR. Закройте отделение для диска.
4. Устройство начинает читать диск, на дисплее отображается «---» и мигает. Через несколько секунд общее количество треков будет отображаться в течение одной секунды, а затем на ЖК-дисплее отобразится общее время CD.
5. Нажмите кнопку PLAY / PAUSE (A9, B22) на основном устройстве или пульте дистанционного управления, на дисплее отобразится индикатор PLAY, CD начнет воспроизведение с первой дорожки.
6. Нажмите регулятор громкости. Отрегулируйте громкость на основном блоке или пульте дистанционного управления, чтобы настроить желаемый уровень громкости.
7. Чтобы приостановить воспроизведение, нажмите кнопку PLAY / PAUSE (A9, B22) на основном устройстве или пульте дистанционного управления. Время дорожки будет приостановлено, и на дисплее отобразится индикатор PAUSE. Чтобы возобновить воспроизведение, снова нажмите кнопку CD PLAY / PAUSE (A9, B22).
8. Вы можете воспроизвести свою любимую дорожку напрямую, нажав «Track Down», «Track up» (A10, A11, B8, B18). На ЖК-дисплее отобразится правильный номер выбранной дорожки.
9. Чтобы найти определенную секцию в дорожке, нажмите и удерживайте «Track Down, Track up» (A10, A11, B8, B18), пока секция не будет найдена. Отпустите кнопку, чтобы продолжить воспроизведение вашего выбора.
10. Чтобы остановить воспроизведение, нажмите кнопку STOP (A8, B25).

ПРОЦЕДУРА ВОСПРОИЗВЕДЕНИЯ MP3 ДИСКА

Для воспроизведения CD-R / RW, Mp3

1. Нажмите кнопку SOURCE (A1, B11) на пульте дистанционного управления и загрузите диск Mp3.
 2. Нажмите кнопку FOLDER (B15, B19), чтобы выбрать нужную папку для воспроизведения.
 3. Выберите нужный файл для воспроизведения, нажав кнопку Track Down, Track Up (A10, A11, B8, B18).
 4. Нажмите кнопку PLAY / PAUSE (A9, B22). Начнется воспроизведение, и отобразится имя файла.
- s В случае воспроизведения при включенном режиме папки, нажмите кнопку FOLDER (B15, B19), и папку можно будет выбрать, даже если она находится в режиме воспроизведения / паузы. Он продолжит режим воспроизведения / паузы в первой дорожке выбранной папки.

ИГРАТЬ НАЗАД USB / MP3-ПЛЕЕР С ПАПКОЙ

1. Нажмите кнопку SOURCE (A1, B11) на пульте дистанционного управления или кнопку SOURCE (A1, B11) на основном устройстве, чтобы выбрать функцию USB. Подключите запоминающее устройство USB с файлами формата MP3 на устройстве. Когда USB-накопитель подключен к основному блоку, будет отображаться информация об устройстве.
2. Нажмите кнопку FOLDER (B15, B19), чтобы выбрать нужную папку для воспроизведения. Чтобы начать воспроизведение с включенным режимом папки, перейдите к шагу.
3. Выберите нужный файл для воспроизведения, нажав кнопку Track Down, Track Up (A10, A11, B8, B18).
4. Нажмите кнопку PLAY / PAUSE (A9, B22). Начнется воспроизведение, и отобразится имя файла.

НОТА:

- Этот продукт несовместим с файловыми системами MTP и AAC с запоминающего устройства USB или MP3-плеера.
- Данное устройство поддерживает FAT16 и FAT32, но некоторые носители USB могут не поддерживать обе файловые системы. Подробнее см. В руководстве по эксплуатации соответствующего запоминающего устройства USB или обратитесь к производителю.

Пропустить и искать режим

1. В режиме воспроизведения или паузы нажмите кнопку «Track Down, Track Up (A10, A11, B8, B18)», чтобы перейти к следующей дорожке или вернуться к началу текущей дорожки.
2. Во время воспроизведения нажмите и удерживайте «Track Down», «Track up» (A10, A11, B8, B18) для поиска в текущей дорожке со слышимым высокоскоростным воспроизведением.

РАЗНЫЕ РЕЖИМЫ ИГРА (ТОЛЬКО ДИСТАНЦИОННОЕ УПРАВЛЕНИЕ)

Несколько раз нажмите кнопку REPEAT (B6) на пульте дистанционного управления, чтобы выбрать различные режимы воспроизведения во время воспроизведения CD.

При воспроизведении CD режимы воспроизведения отображаются следующим образом:

- Повторение
- Повторить все
- Обычный

REPEAT 1 - воспроизводимая дорожка и будет повторяться непрерывно. Повторите один значок «REPEAT 1» отображается на дисплее.

REPEAT ALL - все дорожки будут повторяться непрерывно. Значок повтора всех «REPEAT ALL» отображается на дисплее.

СЛУЧАЙНАЯ ИГРА

Когда кнопка RANDOM (B20) нажата на ЖК-дисплее загорится индикатор «RDM». Дорожки на диске могут воспроизводиться в случайном порядке автоматически.

Чтобы отменить произвольное воспроизведение:

Нажмите кнопку RANDOM (B20) еще раз. Индикатор «RDM» исчезнет.

НОТА:

Если вы нажмете кнопку во время произвольного воспроизведения, вы сможете перейти к дорожке, выбранной следующей случайной операцией. С другой стороны, кнопка не позволяет перейти к предыдущему треку. Начало воспроизводимой дорожки будет найдено.

При произвольном воспроизведении устройство будет выбирать и воспроизводить дорожки автоматически. (Вы не можете выбрать порядок дорожек.)

INTRO ВОСПРОИЗВЕДЕНИЕ

1. Нажмите INTRO (B20) на пульте дистанционного управления. На дисплее отобразится индикатор «INTRO (B20)».

Устройство будет воспроизводить первые 10 секунд каждой дорожки.

2. Нажмите INTRO (B20) на пульте дистанционного управления еще раз, чтобы возобновить нормальное воспроизведение.

ПРОГРАММИРОВАНИЕ ПОСЛЕДОВАТЕЛЬНОСТИ

Эта функция позволяет воспроизводить треки в запрограммированной последовательности. Пользователь может запрограммировать до 8 треков в режиме CD или до 99 треков в MP3 в любом

ПРИМЕЧАНИЕ. Программу можно установить только в режиме STOP.

1. Нажмите PROG . Кнопка (B3) на пульте дистанционного управления, номер программы «1» отображается на дисплее, значок «PROG» и номер дорожки CD «-» также мигают на ЖК-дисплее. (Примечание: «1 -» будет отображаться на дисплее, если вы программируете впервые).

2. Используйте Track Down, Track Up (A10, A11, B8, B18) на основном устройстве или пульте дистанционного управления, чтобы выбрать желаемую дорожку. Номер дорожки будет показан на дисплее.

3. Нажмите PROG . Кнопка (B3) на основном блоке или пульте дистанционного управления для сохранения выбранной дорожки в памяти, номер следующей программы будет переведен на единицу (т. Е. «2») на ЖК-дисплее.

4. Повторите шаги 2–3, чтобы сохранить больше дорожек в памяти. Вы можете хранить до 32 треков CD, MP3 до 99 треков. Дисплей покажет «FUL» после того, как треки были запрограммированы.
 5. Нажмите на ВОСПРОИЗВЕДЕНИЕ / ПАУЗА (A9, B22), на основном устройстве или пульте дистанционного управления, чтобы начать воспроизведение компакт-диска в запрограммированной последовательности.
 6. Нажмите кнопку «REPEAT» (B6) на пульте дистанционного управления, чтобы выбрать «Repeat 1 / All», если необходимо.
 7. Чтобы остановить воспроизведение, нажмите кнопку STOP (A8, B25) на основном устройстве или пульте дистанционного управления.
- Чтобы отменить воспроизведение программы, дважды нажмите кнопку STOP (A8, B25) на основном устройстве или пульте дистанционного управления, значок «PROG» исчезнет с дисплея.

BLUETOOTH ОПЕРАЦИЯ

Нажмите кнопку POWER / STANDBY (A1, B1), чтобы включить устройство, и следуйте приведенным ниже инструкциям для подключения через Bluetooth.

СОЕДИНЕНИЕ (подключение) сотового телефона с поддержкой BLUETOOTH или другого устройства с поддержкой BLUETOOTH к устройству

Если CR 1173 никогда не был связан с устройством Bluetooth раньше. Чтобы связать устройство с устройством Bluetooth, необходимо следовать приведенным ниже инструкциям по сопряжению.

1. Нажмите кнопку POWER / STANDBY (A1, B1) на основном устройстве или пульте дистанционного управления, чтобы включить устройство.
2. Нажмите кнопку SOURCE (A1, B11) на основном или пульте дистанционного управления, чтобы выбрать режим Bluetooth, на дисплее появится сообщение Bluetooth «bt», которое начнет мигать.
3. Если CR 1173 никогда не был сопряжен с устройством Bluetooth ранее или не может найти последнее сопряженное устройство, мигающий «bt» на ЖК-дисплее укажет, что XXX находится в режиме поиска. Чтобы связать устройство с устройством Bluetooth, необходимо следовать приведенным ниже инструкциям по сопряжению.
 - Включите функцию Bluetooth вашего устройства Bluetooth и включите функцию поиска или сканирования, чтобы найти CR 1173.
 - Выберите «CR 1173» из списка устройств, когда он появится на экране вашего устройства. При необходимости введите код доступа «0000» для сопряжения (связи) CR 1173 с вашим устройством.
4. После успешного сопряжения (связывания) дисплей изменится и будет постоянно показывать «bt», на дисплее также будет отображаться значок Bluetooth. Вы можете начать воспроизведение музыки с вашего устройства Bluetooth по беспроводной связи на динамик.
5. После выбора вашей любимой песни нажмите кнопку PLAY PAUSE (B22, A9) на устройстве или пульте дистанционного управления, чтобы воспроизвести или приостановить песню.
6. Нажмите регулятор громкости на основном блоке или пульте дистанционного управления, чтобы настроить нужный уровень громкости.
7. Нажмите кнопку Track Down, Track up (B8, B9) на основном устройстве или пульте дистанционного управления, чтобы перейти к предыдущей или следующей песне.
8. Если вы хотите связать устройство с другим Bluetooth-совместимым устройством, нажмите и удерживайте кнопку PAIR (B10) в течение 3 секунд или выключите функцию Bluetooth устройства, в настоящее время сопряженного с устройством, затем повторите шаг 3 выше.

Заметки:

- 1.) Инструкции по работе с Bluetooth см. в руководстве к вашему мобильному телефону, планшетному ПК, компьютеру или другим устройствам с поддержкой Bluetooth, поскольку оно может различаться в зависимости от модели.
- 2.) Если ваше Bluetooth-совместимое устройство не поддерживает профиль A2DP, оно не будет воспроизводить музыку через динамик, даже если оно сопряжено (связано).
- 3.) Если вы подключаете (связываете) компьютер к устройству с помощью Bluetooth, вам может потребоваться установить динамик в качестве звукового устройства по умолчанию для вашего компьютера.

ВСПОМОГАТЕЛЬНАЯ ВХОДНАЯ ОПЕРАЦИЯ

Данное устройство оснащено дополнительным входным гнездом аудиосигнала для подключения внешних аудиоустройств, таких как MP3-плееры, Цифровое аудиоустройство, и прослушивания их через динамики данного устройства.

1. Используйте аудиокабель (не входит в комплект) с одним 3,5-мм стереоразъемом на каждом конце кабеля.
2. Подключите один конец к разъему AUX IN (A5) на основном устройстве, а другой конец кабеля к разъему линейного выхода или разъему для наушников на внешнем аудиоустройстве.
3. Включите устройство и внешнее аудиоустройство.
4. Нажмите кнопку SOURCE (A1, B11) на главном или пульте дистанционного управления, чтобы выбрать режим AUX, включится значок «AUX», на дисплее отобразится сообщение «AUX».
5. Уровень громкости теперь можно контролировать через основной блок. Управляйте всеми другими функциями на вспомогательном устройстве как обычно.

Замечания:

· Если вы подключаете этот аппарат к разъему линейного выхода вашего внешнего устройства, вам нужно только отрегулировать громкость этого устройства. Если вы подключите разъем для наушников к внешнему устройству, вам может потребоваться отрегулировать как регуляторы громкости внешнего устройства, так и данного устройства, чтобы получить желаемую настройку громкости.

PRESET EQ (ТОЛЬКО ДИСТАНЦИОННОЕ УПРАВЛЕНИЕ)

Это устройство предоставляет 4 различных режима эквалайзера для улучшения вашего прослушивания. Вы можете выбрать нужный эффект, несколько раз нажав кнопку EQ (B5) на пульте дистанционного управления в следующей последовательности:

ROCK POP JAZZ CLASSIC OFF

КНОПКА MUTE (ТОЛЬКО ДИСТАНЦИОННОЕ УПРАВЛЕНИЕ)

- Нажмите кнопку MUTE (B21) на пульте дистанционного управления, чтобы временно отключить звук, выводимый через динамик. На дисплее появится «V 00».
- Нажмите кнопку MUTE (B21) еще раз или кнопку VOLUME CONTROL (B23, A12), чтобы возобновить нормальное воспроизведение динамика.

СОННЫЕ ОПЕРАЦИИ (ТОЛЬКО ДИСТАНЦИОННОЕ УПРАВЛЕНИЕ)

Таймер отключения позволяет выключить устройство после достижения назначенного времени.

1. Чтобы активировать таймер сна, включите устройство и нажмите кнопку SOURCE (A1, B11), чтобы выбрать FM-радио, CD, USB, Bluetooth или прослушивание музыки через AUX IN.
2. Нажмите кнопку SLEEP (B14) на пульте дистанционного управления, на дисплее появится значок времени ожидания «SLEEP».
3. Несколько раз нажмите кнопку SLEEP (B14), чтобы выбрать время ожидания. Устройство выключится через 10, 20, 30, 40, 50, 60, 70, 80 или 90 минут. Подождите 3 секунды после выбора устройства, чтобы подтвердить выбор, устройство будет воспроизводиться в течение выбранного промежутка времени, а затем автоматически выключится.
4. Чтобы отменить таймер сна, нажимайте кнопку SLEEP (B14) несколько раз, пока таймер не покажет «OFF», на дисплее не исчезнет значок времени сна «SLEEP».
5. Чтобы выключить устройство до истечения заданного промежутка времени, в любое время нажмите кнопку POWER / STANDBY (A1, B1).

Заметки:

- 1.) Чтобы проверить оставшееся время сна, один раз нажмите кнопку SLEEP (B14).
- 2.) Если вы засыпаете под музыку с внешнего устройства, подключенного к входу AUX, таймер отключения отключит питание этой системы, но не отключит внешнее устройство.

ИСПОЛЬЗОВАНИЕ НАУШНИКОВ (НЕ ВКЛЮЧЕНО)

Вставив штекер наушников в гнездо для стереонаушников (A17), вы сможете слушать музыку на компакт-диске или радио в одиночку. При использовании наушников встроенные динамики будут отключены.

ПРОЧИТАЙТЕ ЭТУ ВАЖНУЮ ИНФОРМАЦИЮ ПЕРЕД ИСПОЛЬЗОВАНИЕМ ВАШИХ НАУШНИКОВ

1. Избегайте продолжительной игры на очень высокой громкости, так как это может ухудшить ваш слух.
2. Если вы слышите звон в ушах, уменьшите громкость или выключите устройство.
3. Поддерживайте громкость на разумном уровне, даже если ваша гарнитура является устройством открытого типа, разработанным для того, чтобы вы могли слышать внешние звуки. Обратите внимание, что чрезмерно высокая громкость может по-прежнему блокировать внешние звуки.

ПЕРЕНАСТРОЙКА

Если система не отвечает или работает с ошибками, возможно, вы столкнулись с электростатическим разрядом (ESD) или скачком напряжения, который вызвал автоматическое отключение внутреннего компьютера. В этом случае отсоедините шнур питания от источника питания, подождите 60 секунд, затем снова подключите шнур питания к источнику питания. Устройство будет сброшено, вам необходимо настроить часы, будильник и предварительно настроенные радиоканалы.

УХОД И ОБСЛУЖИВАНИЕ

1. Не подвергайте устройство воздействию чрезмерных сил, ударов, пыли или экстремальных температур (выше 40C).
2. Не вешивайтесь во внутренние компоненты устройства.
3. Протрите устройство сухой тканью. Растворитель или моющее средство никогда не должны использоваться.
4. Не оставляйте устройство под прямыми солнечными лучами или в жарких, влажных или пыльных местах.
5. Держите устройство вдали от нагревательных приборов и источников электрических помех, таких как люминесцентные лампы или двигатели.
6. Если во время воспроизведения компакт-диска возникают пропуски или прерывания музыки или если компакт-диск вообще не воспроизводится, его нижняя поверхность может потребовать очистки. Перед воспроизведением протрите диск от центра наружу хорошей мягкой тканью для очистки.

ОЧИСТКА БЛОКА

- Во избежание возгорания или поражения электрическим током отсоединяйте устройство от источника переменного тока во время очистки.
- Отделка устройства может быть очищена с помощью тряпки для пыли и для ухода за ней, как и для другой мебели. Соблюдайте осторожность при чистке и протирании пластиковых деталей.
- Если корпус пылится, протрите его мягкой сухой тряпкой. Не используйте воск или лаки для ногтей на корпусе.
- Если передняя панель загрязнена или испачкана отпечатками пальцев, ее можно очистить мягкой тканью, слегка смоченной в слабом мыльном и водном растворе. Никогда не используйте абразивные ткани или полироли, так как они могут повредить отделку вашего устройства.

ВНИМАНИЕ: Никогда не допускайте попадания воды или других жидкостей внутрь устройства во время чистки.

Требования к питанию:

Основной блок: 230 В ~ 50 Гц

Удаленный: CR2025 3V

Раздел проигрывателя дисков

Система: компакт-диск и цифровая аудиосистема Laser Diode Properties

Продолжительность эмиссии: непрерывный

Выходная мощность лазера: менее 44,6 М (Этот выход представляет величину, измеренную на расстоянии 200 мм от поверхности объектива на оптической улавливающей до блока с отверстием 7 мм) ш

Диапазон частот

Раздел FM-тюнера:

Диапазон настройки: 87,5 МГц - 108,0 МГц (шаг 50 кГц).

Мощность динамика: 2x 5 Вт

Max: 28W



Заботясь об окружающей среде.. Упаковку из картона передайте, пожалуйста, на макулатуру. Полиэтиленовые мешки (PE) выкидать в резервуар для пластмассы. Изношенное устройство надо передать в соответствующую точку хранения, так как находящиеся в устройстве опасные составляющие могут являться угрозой для окружающей среды. Электрическое устройство надо передать таким образом, чтобы ограничить его повторное употребление и использование. Если в устройстве находятся батареи, их надо вытянуть и передать в точку хранения отдельно. Устройство не выкидать в резервуар для коммунальных отходов!

(NL) NEDERLANDS

VEILIGHEIDSVOORWAARDEN BELANGRIJKE AANWIJZINGEN VOOR DE VEILIGHEID VAN HET GEBRUIK GELIEVE ZORGVULDIG TE LEZEN EN VOOR TOEKOMSTIGE REFERENTIE TE HOUDEN

De garantievoorwaarden zijn anders als het apparaat voor commerciële doeleinden wordt gebruikt.

1. Lees het product zorgvuldig door voordat u het gebruikt en houd u altijd aan de volgende instructies. De fabrikant is niet verantwoordelijk voor schade als gevolg van verkeerd gebruik.

2. Het product mag alleen binnenshuis worden gebruikt. Gebruik het product niet voor doeleinden die niet compatibel zijn met de toepassing.

3. De van toepassing zijnde spanning is 230V, ~ 50Hz. Om veiligheidsredenen is het niet raadzaam om meerdere apparaten op één stopcontact aan te sluiten.

4. Let op met voorzichtig omgaan met kinderen. Laat de kinderen niet met het product spelen. Laat kinderen of mensen die het apparaat niet kennen, het niet zonder toezicht gebruiken.

5. **WAARSCHUWING:** Dit apparaat kan worden gebruikt door kinderen vanaf 8 jaar en personen met verminderde fysieke, sensorische of mentale capaciteiten, of personen zonder ervaring of kennis van het apparaat, alleen onder toezicht van een persoon die verantwoordelijk is voor hun veiligheid, of als zij werden geïnstrueerd over het veilige gebruik van het apparaat en zich bewust zijn van de gevaren die verband houden met de werking ervan. Kinderen mogen niet met het apparaat spelen. Reiniging en onderhoud van het apparaat mogen niet door kinderen worden uitgevoerd, tenzij ze ouder zijn dan 8 jaar en deze activiteiten onder toezicht worden uitgevoerd.

6. Nadat u klaar bent met het gebruik van het product, vergeet dan niet voorzichtig de stekker uit het stopcontact te verwijderen terwijl u het stopcontact vasthoudt met uw hand. Trek nooit aan het netsnoer !!!

7. Steek de voedingskabel, de stekker of het hele apparaat nooit in het water. Stel het product nooit bloot aan atmosferische omstandigheden zoals direct zonlicht of regen, enz. Gebruik het product nooit in vochtige omstandigheden.

8. Controleer periodiek de toestand van de voedingskabel. Als het netsnoer is beschadigd, moet het product worden vervangen door een professionele servicelocatie om te worden vervangen om gevaarlijke situaties te voorkomen.

9. Gebruik het product nooit met een beschadigd netsnoer of als het op een andere manier is gevallen of beschadigd of als het niet goed werkt. Probeer het defecte product niet zelf te repareren omdat dit tot een elektrische schok kan leiden. Schakel het beschadigde apparaat altijd naar een professionele servicelocatie om het te repareren. Alle reparaties kunnen

alleen worden uitgevoerd door geautoriseerde serviceprofessionals. De reparatie die verkeerd is uitgevoerd, kan gevaarlijke situaties voor de gebruiker veroorzaken.

10. Plaats het product nooit op of dichtbij de hete of warme oppervlakken of de keukenapparatuur zoals de elektrische oven of gasbrander.

11. Gebruik het product nooit in de buurt van brandbare stoffen.

12. Laat het snoer niet over de rand van het aanrecht hangen of in aanraking komen met hete oppervlakken.

13. Laat het product nooit zonder toezicht op de stroombron aangesloten. Zelfs wanneer het gebruik voor een korte tijd wordt onderbroken, schakelt u het uit van het netwerk, ontkoppel de stroom.

14. Om extra bescherming te bieden, wordt het aanbevolen om een reststroomapparaat (RCD) in het stroomcircuit te installeren, met een reststroomvermogen van niet meer dan 30 mA. Neem in dit geval contact op met een professionele elektricien.

15. Zorg dat de radio niet nat wordt.

16. De radio mag alleen worden afgeveegd met een droge doek. Gebruik geen water of schoonmaakmiddelen.

17. De radio moet in een droge ruimte worden bewaard.

APPARAAT:

1. AAN / UIT STAND-BY-INDICATOR
2. BRON
3. TIJDINSTELLING / GEHEUGENTOETS
4. TUNER KANAAL -
5. AUX IN
6. USB
7. TUNER KANAAL +
8. CD STOP KNOP / BLUETOOTH PAAR KNOP
9. CD / BLUETOOTH PLAY / PAUSE / RADIO AUTO ZOEKKNOP
10. CD / BLUETOOTH SKIP VORIGE / TUNE - KNOP
11. CD / BLUETOOTH SKIP VOLGENDE / TUNE + KNOP
12. VOLUMEREGELKNOP
13. LCD-WEERGAVE
14. CD-DEUR OPEN / SLUIT-KNOP
15. CD-DEUR
16. FM-ANTENNE
17. HEADPHONE JACK
18. RECHTER LUIDSPREKER CONNECTOR
19. LINKER LUIDSPREKER CONNECTOR
20. DC-VOEDINGSADAPTER
21. DEUR VAN DE ACCU-COMPARTMENT

AFSTANDSBEDIENING:

1. AAN / UIT STAND-BY-INDICATOR
2. SCHIJF DIRECT ZOEKEN
3. PROG. KNOP
4. CD / USB TRACK DOWN OF TIME DOWN KNOP, TUNER DOWN KNOP.
5. EQUALIZER-KNOP
6. HERHAAL-KNOP
7. X-BASS-KNOP
8. TRACK DOWN-KNOP
9. CD / BLUETOOTH PLAY / PAUSE / RADIO AUTO ZOEKKNOP
10. CD / BLUETOOTH SKIP VORIGE / TUNE - KNOP
11. CD / BLUETOOTH SKIP VOLGENDE / TUNE + KNOP
12. KLOKINSTELLING
13. LCD-WEERGAVE
14. CD-DEUR OPEN / SLUIT-KNOP
15. CD-DEUR
16. FM-ANTENNE
17. KOPELEFOON
18. RECHTER LUIDSPREKERAANSLUITING
19. LINKER LUIDSPREKERAANSLUITING
20. WILLEKEURIGE KNOP EN INTRO-KNOP
21. DEUR VAN DE ACCU-COMPARTMENT
22. BT PLAY / PAUSE KNOP
23. VOLM OMHOOG EEN OMLAAG-KNOP
24. KNOP CD-AFSPLEN / PAUZE
25. STOP-KNOP CD

SYSTEEMAANSLUITINGEN

Zorg ervoor dat u de stekker van het netsnoer uit het stopcontact haalt voordat u aansluitingen maakt.

Wisselstroomaansluiting

Sluit het netsnoer aan op een beschikbaar 230V ~ 50Hz stopcontact. Zorg ervoor dat de stekker stevig in het stopcontact zit.

De batterijen plaatsen voor de batterijback-up

1. Verwijder de klep van het batterijvak aan de onderkant van het hoofdtoestel.

2. Volg de polariteitsmarkeringen in het batterijvak en plaats 2 x AAA-batterijen (niet meegeleverd) in de twee batterijsleuven in het batterijvak.

3. Plaats de batterijklep terug.

OPMERKINGEN:

· Trek bij het vervangen van de back-up batterijen het netsnoer niet uit het stopcontact. Als u dit doet, worden alle huidige datum- en alarminstellingen gewist.

· Als het apparaat gedurende lange tijd niet aangesloten blijft, verwijder dan de batterijen om schade te voorkomen die kan ontstaan als de batterijen lekken en corrosie veroorzaken.

Afstandsbediening

De afstandsbediening werkt op één CR2025 3V lithiumbatterij (meegeleverd in de afstandsbediening). Om de afstandsbediening te activeren, verwijdert u het isolatielipje dat in het batterijvak zit.

Vervang de originele batterij door een nieuwe CR2025 3V lithiumbatterij als de afstandsbediening met tussenpozen of onvoldoende wordt.
1. Druk op het deksel van het compartiment en schuif de batterijhouder uit de behuizing van de afstandsbediening.
Vervang de batterij en zorg ervoor dat de batterij correct is geplaatst. De afstandsbediening werkt niet als de batterij met de verkeerde polariteit is geplaatst.

VOORZICHTIGHEID:

- 1.) Explosiegevaar als de batterij onjuist wordt vervangen.
- 2.) Vervang alleen door een batterij van hetzelfde of een gelijkwaardig type.
- 3.) Plaats de batterijhouder terug in de batterij sleuf.

DE UNIT AAN / UIT SCHAKELLEN

1. Tik in de stand Uit (stand-by) op de AAN / UIT-knop (A1, B1) op het hoofdtoestel of de afstandsbediening om het toestel AAN te zetten. Het apparaat wordt ingeschakeld en het laatst geselecteerde invoermodus pictogram wordt weergegeven op het LCD-scherm.
2. Om het toestel UIT (stand-by) te zetten, tikt u nogmaals op de AAN / UIT / STAND-BY-knop (A1, B1) op het hoofdtoestel of de afstandsbediening. De LCD-DISPLAY wordt gedimd en toont de huidige tijd. De stand-by modus indicator licht op.

DE KLOK INSTELLEN

Nadat u de wisselstroom hebt aangesloten, verschijnt "00:00" en begint te knipperen op het LCD-scherm.

1. Houd in de Power Off (Standby) -modus de CLOCK SET-knop (B13) op de afstandsbediening of het hoofdtoestel ingedrukt, het 24-uurs formaat "24H" zal op het display verschijnen.
2. Tik op de knop Vorige / Volgende (B4, B18) op de afstandsbediening of het hoofdtoestel om indien nodig het 24-uurs formaat te selecteren. Druk anders op de KLOKINSTELLING (B12) -knop om het 12-uurs klokformaat te bevestigen en de klokinstellingsmodus te openen, de uren cijfers zullen knipperen.
3. Tik op de knop Vorige / Volgende (B4, B18) op de afstandsbediening of het hoofdtoestel om het uur aan te passen. Houd de knop ingedrukt om snel vooruit / achteruit in te stellen.
Opmerking: zorg ervoor dat het uur zo is ingesteld dat de PM-indicator correct wordt weergegeven.
4. Druk op de CLOCK SET (B12) -knop op de afstandsbediening om de uurinstelling te bevestigen. De minuutcijfers zullen knipperen om invoer te vragen.
5. Tik op de knop Vorige / Volgende (B4, B18) op de afstandsbediening of het hoofdtoestel om de minuten aan te passen. Houd de knop ingedrukt om snel vooruit / achteruit in te stellen.
6. Druk nogmaals op de CLOCK SET (B12) -knop op de afstandsbediening om de instelling te voltooien.

OPMERKING: De voorinstellingen van de klok en het radiostation moeten worden gereset als de stroom wordt onderbroken of als de stroom uitvalt. "00:00" verschijnt en begint te knipperen op het LCD-scherm om u te laten weten dat de stroom is onderbroken en dat de klok opnieuw moet worden ingesteld. Volg bovenstaande stappen 1-6 om de klok opnieuw in te stellen.

DE KLOK CONTROLEREN

Het toestel toont de huidige tijd in de standby-modus. Om de huidige tijd in Power ON-modus te controleren, houdt u de CLOCK SET (B12) -knop op het hoofdtoestel of de afstandsbediening 3 seconden ingedrukt, de huidige tijd wordt 5 seconden weergegeven en keert dan terug naar het vorige scherm.

WERKING ALARM (ALLEEN AFSTANDSBEDIENING)

DE ALARMKLOK INSTELLEN

Met deze functie kan het systeem automatisch worden ingeschakeld en wordt u gewekt met een piepalarm, de cd, USB of BU de RADIO.

1. Houd de TIMER (B13) -toets op de afstandsbediening ingedrukt totdat het display "On" weergeeft en de uren cijfers knipperen.
2. Druk op de knoppen Vorige / Volgende (B4, B18) om de uren cijfers aan te passen en druk vervolgens op de TIMER-knop om te bevestigen. De minuutcijfers knipperen op het display.
3. Druk op de knoppen Vorige / Volgende (B4, B18) om de minutencijfers aan te passen en druk vervolgens op de TIMER (B13) -knop om te bevestigen.
4. Als de Vorige / Volgende-knop (B4, B18) op de timerklok ingesteld is, zal het display "OFF" tonen en zullen de uren cijfers knipperen.
5. Druk op de knoppen Vorige / Volgende (B4, B18) om de uren cijfers aan te passen en druk vervolgens op de TIMER (B13) -knop om te bevestigen. De minuutcijfers knipperen op het display.
6. Druk op de knoppen Vorige / Volgende (B4, B18) op de afstandsbediening om de minutencijfers aan te passen en druk vervolgens op de TIMER-knop om te bevestigen.
7. Druk op de knoppen om de CD-, USB-, BT- of FM-modus te selecteren en druk vervolgens op de TIMER (B13) -knop om te bevestigen. Het display toont "VOL #" en knippert.
8. Druk op de knoppen Vorige / Volgende (B4, B18) om het volume aan te passen en druk vervolgens op de TIMER-knop om te bevestigen.
8. Druk op de TIMER (B13) -toets om "Timer On" te selecteren, en de Timer is nu ingesteld.
9. In de standby-modus wordt het timerpictogram op het display weergegeven om aan te geven dat de timer is ingeschakeld.

NOTITIE:

- 1.) Als "Wake to CD, USB" is geselecteerd maar er geen cd is geplaatst, wordt het alarm automatisch ingesteld op het piepalarm wanneer de wektijd van het alarm is bereikt.
- 2.) Voor "Wake to Radio" zal het systeem standaard naar het laatste FM-radiostation luisteren waarnaar wordt geluisterd voordat het wordt uitgeschakeld.
- 3.) Het crescendo-alarm wordt verhoogd tot het volumeniveau dat u hebt ingesteld.

ACTIEVE / DEACTIEVE ALARMFUNCTIE

1. Om ALARM te activeren, tikt u eenmaal op de TIMER (B13) -knop en het alarmpictogram verschijnt op het LCD-scherm.
2. Annuleer de ALARM-functie door nogmaals op de TIMER (B13) -knop te tikken. Het alarmpictogram gaat uit.

Wakker worden met radio, cd, USB of zoernalarm

- Wanneer de alarmtijd is bereikt, klinkt het piepalarm van de cd, USB of radio gedurende 60 minuten, schakelt vervolgens uit en reset zichzelf voor de volgende dag (zonder op de snooze-knop te drukken).
- Om het alarm onmiddellijk te stoppen nadat het klinkt, tikt u eenmaal op de AAN / UIT-knop (A1, B1) op de afstandsbediening of op het hoofdtoestel. Het reset zichzelf voor de volgende dag.
- Om het alarm voor de volgende dag te annuleren, tikt u eenmaal op de TIMER (B13) KNOOP, het ALARM-pictogram gaat uit.

RADIO BEDIENING

1. Tik op de POWER / STANDBY-knop (A1, B1) op het hoofdtoestel of de afstandsbediening om het toestel aan te zetten.
2. Tik op de SOURCE-knop (A1, B11) op het hoofdtoestel of de afstandsbediening om de FM-modus te selecteren, de FM-radiofrequentie verschijnt op het scherm.
3. Om handmatig af te stemmen op een specifiek radiostation, tik je herhaaldelijk op Track Down, Track up (A10, A11, B8, B18) op het hoofdtoestel of de afstandsbediening. Gebruik de handmatige afstemmingsmethode om af te stemmen op zwakkere stations die worden overgeslagen tijdens automatisch afstemmen.
4. Om automatisch af te stemmen op het volgende beschikbare radiostation, houdt u de Track Down-knop (A10, A11, B8, B18) op het hoofdtoestel of de afstandsbediening 1-2 seconden ingedrukt totdat de frequentie-uitlizing op het display begint te scannen en vervolgens laat de knop los. De tuner stopt met scannen wanneer hij de volgende zender met voldoende signaalsterkte ontvangt.
5. Druk op de volumeregeling op het hoofdtoestel of de afstandsbediening om de volumeregeling aan te passen aan het gewenste volumeniveau.

FM / FM stereo-ontvangst

Druk tijdens het luisteren naar de FM-radio op de ST / MONO-knop (B16) op de afstandsbediening om te schakelen tussen stereomodus en monomodus. Het FM-stereopictogram "ST" verschijnt op het display als het apparaat in stereomodus staat. Bij voorkeur ontvangt u het programma in mono wanneer u een zwak station ontvangt.

TIPS VOOR DE BESTE RECEPTIE:

FM - Voor de beste FM-ontvangst, de FM-draadantenne aan de achterkant van het apparaat moet volledig worden uitgepakt en verlengd.

OPMERKING: Automatische afstemming is afhankelijk van de signaalsterkte van de zender, dus zwakke zenders kunnen worden overgeslagen. U kunt handmatig afstemmen om de zwakke stations te vinden als een station wordt overgeslagen. Bij sterke signalen kan de tuner stoppen voordat deze de daadwerkelijke uitzendfrequentie bereikt, dus het kan nodig zijn om handmatig af te stemmen voor de beste ontvangst.

VOORAF INGESTELDE RADIOSTATIONS

1. Druk op de POWER / STANDBY-knop (A1, B1) op het hoofdtoestel of de afstandsbediening om het toestel aan te zetten.
2. Tik op de SOURCE-knop (A1, B11) op het hoofdtoestel of de afstandsbediening om de FM-radiomodus te selecteren.
3. Houd de knop Track Down, Track up (A10, A11, B8, B18) op het hoofdtoestel of de afstandsbediening ingedrukt totdat de frequentie-uitlizing op het display begint te scannen en laat de knop vervolgens los voor automatisch zoeken en programmeren van vooraf ingestelde kanalen. "PROG" verschijnt in het display en knippert. Het automatisch zoeken en het programma stoppen bij P01 nadat de scan is voltooid; "PROG" wordt gestaag op het display weergegeven.
- Opmerking: als de kanalen die zijn opgeslagen tijdens het automatisch zoeken en de geprogrammeerde preset niet degene zijn die u wilt opslaan, gebruikt u de onderstaande methode voor het handmatig opslaan van radio-presets.
4. Stem af op de gewenste radiozender door "handmatig" of "automatisch" af te stemmen.
5. Tik op de PROG . (B3) op de afstandsbediening, het eerstvolgende beschikbare geheugennummer en een knipperende PROG . Het pictogram (B3) wordt weergegeven op het LCD-scherm. (Opmerking: "P01" wordt op het display weergegeven als u de eerste keer een preset programmeert)
6. Tik op de PRE. Knop (B15, B19) op het hoofdtoestel of afstandsbediening om het presetnummer te selecteren waaraan u de zender wilt toewijzen.
7. Tik op de PROG . (B3) Knop om de instelling te bevestigen.
8. Herhaal bovenstaande stappen 4 - 8 om maximaal 30 FM-zenders in te stellen.

OPROEPEN VAN VOORAF INGESTELDE GEHEUGENKANALEN

Roep in de radiomodus de vooraf ingestelde kanalen op door op PRE te drukken. Knop (B15, B19) op de afstandsbediening herhaaldelijk.

BEDIENING CD-SPELER

Notitie:

1. Deze cd-speler kan niet alleen commerciële cd's afspelen, maar ook zelf samengestelde cd-r / rw-, mp3-schijven. Probeer geen cd-rom-, cdi-, vcd-, dvd- of computer-cd's af te spelen.
2. MP3 is een vorm van compressie. Het is een acroniem dat staat voor MPEG Audio Layer 3. MP3 is een type audiocode die wordt verwerkt door aanzienlijke compressie van de originele audiobron met zeer weinig verlies in geluidskwaliteit.
 - Dit systeem ondersteunt MPEG 1 Layer 3- en VBR- bestanden.
 - Tijdens het afspelen van een VBR- bestand kan de tijdteller op het scherm afwijken van de werkelijke afspeeltijd.
 - Bitrate die wordt ondersteund door MP3 is 32 - 320 kbps

LEES DEZE BELANGRIJKE INFORMATIE:

CD-mechanismen die in dergelijke apparaten worden gebruikt, zijn ontworpen om alle commerciële CD's te lezen. Het leest ook zelf samengestelde CD-R / CD-RW, MP3-schijven, maar het kan tot 10 seconden duren voordat het daadwerkelijke afspelen begint. Als het afspelen niet start, is dit waarschijnlijk te wijten aan de kwaliteit van de cd-r / rw , mp3-schijf en / of de compatibiliteit van de cd-compilatiesoftware. De fabrikant is niet verantwoordelijk voor de afspeelkwaliteit van CD-R / RW , MP3-schijven. Plak geen etiket of zegel op beide zijden van de CD-R / RW, MP3-schijf. Dit kan een storing veroorzaken.

EEN CD AFSPLENEN

1. Druk op de POWER / STANDBY-knop (A1, B1) op het hoofdtoestel of de afstandsbediening om het toestel aan te zetten.
2. Tik op de SOURCE-knop (A1, B11) op de afstandsbediening of het hoofdtoestel om de cd-modus te selecteren en druk vervolgens op Open het schijfcompartiment.
3. Plaats een audio-cd op de middenas met het label naar buiten gericht in de richting van de cd-deur. Sluit het schijfcompartiment.
4. Het apparaat begint de schijf te lezen, "----" verschijnt op het display en knippert. Na enkele seconden wordt het totale aantal nummers één seconde weergegeven en vervolgens wordt de totale tijd van de cd weergegeven op het LCD-SCHERM.
5. Druk op de PLAY / PAUSE (A9, B22) -knop op het hoofdtoestel of de afstandsbediening, de PLAY-indicator verschijnt op het display, de CD begint te spelen vanaf het eerste nummer.
6. Druk op de volumeregeling Pas het volume aan. op het hoofdtoestel of de afstandsbediening om aan te passen aan het gewenste volumeniveau.
7. Druk op de PLAY / PAUSE (A9, B22) -knop op het hoofdtoestel of de afstandsbediening om het afspelen te pauzeren. De tracttijd wordt gepauzeerd en de PAUSE-indicator verschijnt op het display. Druk nogmaals op de CD PLAY / PAUSE (A9, B22) -knop om het afspelen te hervatten.
8. U kunt ervoor kiezen om uw favoriete track direct af te spelen door op Track Down, Track up (A10, A11, B8, B18) te drukken. Het LCD-scherm geeft het juiste geselecteerde tracknummer aan.
9. Om een bepaalde sectie binnen een track te lokaliseren, houdt u Track Down, Track up (A10, A11, B8, B18) ingedrukt totdat de sectie is gevonden. Laat de knop los om uw selectie verder te spelen.
10. Druk op de STOP (A8, B25) -knop om het afspelen te stoppen.

PROCEDURE VOOR HET AFSPLENEN VAN MP3-DISC

Om CD-R / RW, MP3 af te spelen

1. Druk op de SOURCE-knop (A1, B11) op de afstandsbediening en plaats een MP3-disc.
 2. Druk op de FOLDER-knop (B15, B19) om de gewenste afspeelmap te selecteren.
 3. Selecteer het gewenste bestand dat u wilt afspelen door op de knop Track omlaag, Track omhoog (A10, A11, B8, B18) te drukken.
 4. Druk op PLAY / PAUSE (A9, B22). Het afspelen begint en de bestandsnaam wordt weergegeven.
- s Als u afspeelt terwijl de mapmodus is ingeschakeld, drukt u op de FOLDER (B15, B19) -toets en de map kan worden geselecteerd, ook al bevindt deze zich in de afspelen- / pauzmodus. Het zal de afspelen- / pauzmodus voortzetten in het eerste nummer van de geselecteerde map.

USB / MP3-SPELER MET MAP AFSPLENEN

1. Druk herhaaldelijk op de SOURCE-knop (A1, B11) op de afstandsbediening of de SOURCE-knop (A1, B11) op het hoofdtoestel om de USB-functie te selecteren. Sluit het USB-geheugenapparaat met MP3-bestanden op het apparaat aan. Wanneer het USB-geheugen is aangesloten op het hoofdtoestel, wordt de apparaatinformatie weergegeven.
2. Druk op de FOLDER-knop (B15, B19) om de gewenste afspeelmap te selecteren. Ga naar stap om het afspelen te starten terwijl de mapmodus is ingeschakeld.
3. Selecteer het gewenste bestand dat u wilt afspelen door op de knop Track omlaag, Track omhoog (A10, A11, B8, B18) te drukken.
4. Druk op PLAY / PAUSE (A9, B22). Het afspelen begint en de bestandsnaam wordt weergegeven.

NOTITIE:

- Dit product is niet compatibel met MTP- en AAC- bestandssystemen van een USB-apparaat voor massaopslag of een mp3-speler.
 - Dit toestel ondersteunt FAT16 en FAT32, maar sommige USB-opslagmedia ondersteunen mogelijk niet beide bestandssystemen.
- Raadpleeg voor details de gebruiksaanwijzing van het betreffende USB-opslagapparaat of neem contact op met de fabrikant.

OVERSLAAN EN ZOEKMODUS

1. Tik tijdens de afspelen- of pauzmodus op de knop Track omlaag, Track omhoog (A10, A11, B8, B18) om naar het volgende nummer te gaan of terug te gaan naar het begin van het huidige nummer.
2. Houd tijdens het afspelen Track Down, Track up (A10, A11, B8, B18) ingedrukt om binnen de huidige track te zoeken met hoorbare weergave op hoge snelheid.

VERSCHILLENDE SPEELSTANDEN (ALLEEN AFSTANDSBEDIENING)

Druk herhaaldelijk op de REPEAT-knop (B6) op de afstandsbediening om verschillende afspeelmodi te selecteren tijdens het afspelen van een cd.

Bij het afspelen van een cd worden de afspeelmodi hieronder weergegeven:

- Herhaling
- Herhaal alles
- Normaal

REPEAT 1 - het nummer dat wordt afgespeeld en wordt continu herhaald. Herhaal een pictogram "REPEAT 1" verschijnt op het display. ALLES HERHALEN - alle nummers worden continu herhaald. Het pictogram Alles herhalen "ALLES HERHALEN" verschijnt op het scherm.

AFSPLENEN IN WILLEKEURIGE VOLGORDE

Wanneer de RANDOM (B20) -toets drie keer wordt ingedrukt, zal de "RDM" -indicator oplichten op het LCD-scherm. De nummers op de schijf kunnen automatisch in willekeurige volgorde worden afgespeeld.

Willekeurig afspelen annuleren:

Druk nogmaals op de RANDOM (B20) -knop. De "RDM" -indicator verdwijnt.

NOTITIE:

Als u tijdens willekeurig afspelen op de knop drukt, kunt u naar de volgende track gaan die door de willekeurige bewerking is geselecteerd. Aan de andere kant kunt u met de knop niet naar het vorige nummer gaan. Het begin van het nummer dat wordt afgespeeld, wordt gelokaliseerd.

Bij willekeurig afspelen zal het apparaat automatisch tracks selecteren en afspelen. (U kunt de volgorde van de tracks niet selecteren.)

INTRO-WEERGAVE

1. Druk op INTRO (B20) op de afstandsbediening. De "INTRO (B20)" indicator zal op het scherm verschijnen.
Het apparaat speelt de eerste 10 seconden van elk nummer.
2. Druk nogmaals op INTRO (B20) op de afstandsbediening om de normale weergave te hervatten.

SPEEL TRACK SEQUENCE PROGRAMMERING

Met deze functie kunnen de nummers in een geprogrammeerde volgorde worden afgespeeld. De gebruiker kan maximaal 32 nummers in cd-modus of 99 nummers in mp3 programmeren

OPMERKING: Programma kan alleen worden ingesteld in de STOP-modus.

1. Tik op de PROG - Knop (B3) op de afstandsbediening, het programmanummer "1" verschijnt op het display, het " PROG " -pictogram en het CD-tracknummer " - " knipperen ook op het LCD-scherm. (Opmerking: "1 -" zal op het display verschijnen als u de eerste keer programmeert).
2. Gebruik Track Down, Track up (A10, A11, B8, B18) op het hoofdtoestel of de afstandsbediening om de gewenste track te selecteren. Het tracknummer wordt op het display weergegeven.
3. Tik op de PROG - Knop (B3) op het hoofdtoestel of de afstandsbediening om de geselecteerde track in het geheugen op te slaan, het volgende programmanummer gaat één (dwz "2") vooruit op het LCD-scherm.
4. Herhaal stap 2 en 3 om meer tracks in het geheugen op te slaan. U kunt maximaal CD 32-nummers en MP3 99-nummers opslaan. Het display zal "FUL" tonen nadat tracks zijn geprogrammeerd.
5. Tik op de PLAY / PAUSE (A9, B22), op het hoofdtoestel of de afstandsbediening om de cd in de geprogrammeerde volgorde af te spelen.
6. Druk op de REPEAT-knop (B6) op de afstandsbediening om indien nodig Herhaal 1 / Alles te selecteren.
7. Druk op de STOP-knop (A8, B25) op het hoofdtoestel of de afstandsbediening om het afspelen te stoppen.
Om het afspelen van het programma te annuleren, drukt u tweemaal op de STOP-knop (A8, B25) op het hoofdtoestel of de afstandsbediening, het " PROG " -pictogram verdwijnt van het scherm.

BLUETOOTH-WERKING

Druk op de POWER / STANDBY-knop (A1, B1) om het apparaat AAN te zetten en volg de onderstaande instructies om verbinding te maken via Bluetooth.

EEN BLUETOOTH-GECONTROLEERDE mobiele telefoon OF EEN ANDER BLUETOOTH-GECONTROLEERD APPARAAT KOPPELEN aan het apparaat

Als de CR 1173 nog nooit eerder is gekoppeld aan een Bluetooth-apparaat. U moet de onderstaande koppelinstructies volgen om het apparaat aan uw Bluetooth-apparaat te koppelen.

1. Druk op de POWER / STANDBY-knop (A1, B1) op het hoofdtoestel of de afstandsbediening om het toestel aan te zetten.
2. Tik op de SOURCE-knop (A1, B11) op de hoofd- of afstandsbediening om de Bluetooth-modus te selecteren, het Bluetooth " bt " -bericht verschijnt op het display en knippert.
3. Als de CR 1173 nog nooit eerder is gekoppeld met een Bluetooth-apparaat of het laatst gekoppelde apparaat niet kan vinden, geeft het knipperende " bt " op het LCD-scherm aan dat XXX in zoekmodus is. U moet de onderstaande koppelinstructies volgen om het apparaat aan uw Bluetooth-apparaat te koppelen.
 - Schakel de Bluetooth-functie van uw Bluetooth-apparaat in en schakel de zoek- of scanfunctie in om de CR 1173 te vinden.
 - Selecteer "CR 1173" in de apparatenlijst wanneer deze op het scherm van uw apparaat verschijnt. Voer indien nodig de toegangscode "0000" in om de CR 1173 te koppelen (koppelen) met uw apparaat.
4. Nadat het koppelen is gelukt (koppelen), zal het scherm veranderen om " bt " gestaag weer te geven, het Bluetooth-pictogram zal ook op het scherm worden weergegeven. U kunt draadloos beginnen met het afspelen van muziek van uw Bluetooth-apparaat naar de luidspreker.
5. Nadat je je favoriete nummer hebt geselecteerd, druk je op de knop PLAY PAUSE (B22, A9) op het apparaat of de afstandsbediening om het nummer af te spelen of te pauzeren.
6. Druk op de volumeregeling op het hoofdtoestel of de afstandsbediening om het aan te passen aan het gewenste volumeniveau.
7. Druk op de knop Track Down, Track up (B8, B9) op het hoofdtoestel of de afstandsbediening om naar het vorige of volgende nummer te gaan.
8. Als u het apparaat met een ander Bluetooth-apparaat wilt koppelen, houdt u de PAIR (B10) -knop 3 seconden ingedrukt of schakelt u de Bluetooth-functie uit van het apparaat dat momenteel is gekoppeld met het apparaat en herhaalt u stap 3 hierboven.

Opmerkingen:

- 1.) Raadpleeg de handleiding van uw mobiele telefoon, tablet-pc, computer of andere Bluetooth-apparaten voor Bluetooth-bediening, aangezien deze van model tot model kan verschillen.
- 2.) Als uw Bluetooth-apparaat het A2DP-profiel niet ondersteunt, speelt het de muziek niet af via de luidspreker, zelfs niet als het is gekoppeld (gekoppeld).
- 3.) Als u uw computer koppelt (koppelt) met het toestel via Bluetooth, moet u mogelijk de luidspreker instellen als het standaard geluidsapparaat van uw computer.

EXTRA INVOERBEDIENING

Dit toestel heeft een extra audio-ingangsaansluiting voor het aansluiten van externe audio-apparaten zoals mp3-spelers, digitale audio-apparaten en om ernaar te luisteren via de luidsprekers van dit toestel.

1. Gebruik een audiokabel (niet meegeleverd) met één 3,5 mm stereoconnector aan elk uiteinde van de kabel.
2. Steek het ene uiteinde in de AUX IN JACK (A5) op het hoofdtoestel en het andere uiteinde van de kabel in de Line-out Jack of Headphone Jack van uw externe audioapparaat.
3. Schakel het toestel en het externe audioapparaat in.
4. Tik op de SOURCE-knop (A1, B11) op de hoofd- of afstandsbediening om de AUX-modus te selecteren, het "AUX" -pictogram gaat aan, het display toont het "AUX" -bericht.
5. Het volumeniveau kan nu worden geregeld via het hoofdtoestel. Bedien alle andere functies op het hulpapparaat zoals gewoonlijk.

Notitie:

· Als u dit toestel aansluit op de lijnuitgang van uw externe apparaat, hoeft u alleen de volumeregeling van dit toestel aan te passen. Als u de hoofdtelefoonaansluiting van uw externe apparaat aansluit, moet u mogelijk zowel de volumeregelaars van uw externe apparaat als dit toestel aanpassen om de gewenste volume-instelling te verkrijgen.

PRESET EQ (ALLEEN AFSTANDBEDIENING)

Dit toestel biedt 4 verschillende EQ-modi om uw luisterervaring te verbeteren. U kunt het gewenste effect selecteren door herhaaldelijk op de EQ-knop (B5) op de afstandsbediening te drukken in de volgende volgorde:

ROCK POP JAZZ CLASSIC UIT

MUTE-KNOP (ALLEEN AFSTANDSBEDIENING)

- Druk op de MUTE-knop (B21) op de afstandsbediening om het geluid van de luidspreker tijdelijk te dempen. De "V 00" zal op het scherm verschijnen.
- Druk nogmaals op de MUTE-knop (B21) of VOLUME CONTROL (B23, A12) om de normale weergave van de luidsprekers te hervatten.

SLAAPWERKINGEN (ALLEEN AFSTANDSBEDIENING)

Met de slaaptimer kunt u het apparaat uitschakelen nadat een bepaalde tijd is bereikt.

1. Om de slaaptimer te activeren, zet u het apparaat aan en tikt u op de SOURCE-knop (A1, B11) om FM-radio, CD, USB, Bluetooth te selecteren of naar muziek te luisteren via AUX IN.
2. Tik op de SLEEP-toets (B14) op de afstandsbediening, het slaaptijd-pictogram "SLEEP" verschijnt op het display.
3. Tik herhaaldelijk op de SLEEP-toets (B14) om een slaaptijd te selecteren. Het apparaat wordt na 10, 20, 30, 40, 50, 60, 70, 80 of 90 minuten uitgeschakeld. Wacht 3 seconden na uw selectie totdat het apparaat de selectie bevestigt, het apparaat zal gedurende de geselecteerde tijdsduur spelen en vervolgens automatisch uitschakelen.
4. Om de slaaptimer te annuleren, tikt u herhaaldelijk op de SLEEP-toets (B14) totdat de timer "OFF" weergeeft, het slaaptijd-pictogram "SLEEP" verdwijnt op het display.
5. Om het apparaat vóór de geselecteerde tijdsduur uit te schakelen, kunt u op elk moment op de AAN / UIT / STAND-BY-knop (A1, B1) drukken.

Opmerkingen:

- 1.) Tik eenmaal op de SLEEP-toets (B14) om de resterende slaaptijd te controleren.
- 2.) Als u in slaap valt met muziek van een extern apparaat dat is aangesloten op de AUX-ingang, zal de slaaptimer de stroom naar dit systeem uitschakelen, maar het externe apparaat niet uitschakelen.

HOOFDTELEFOONS GEBRUIKEN (NIET INBEGREPEN)

Als u de stekker van uw hoofdtelefoon in de stereo hoofdtelefoonaansluiting (A17) steekt, kunt u privé naar de cd- of radiomuziek luisteren. Bij gebruik van een hoofdtelefoon worden de ingebouwde luidsprekers losgekoppeld.

LEES DEZE BELANGRIJKE INFORMATIE VOORDAT U UW HOOFDTELEFOON GEBRUIKT

1. Vermijd langdurig spelen op een zeer hoog volume omdat dit uw gehoor kan schaden.
2. Als u oorsuizen ervaart, verlaag dan het volume of schakel uw apparaat uit.
3. Houd het volume op een redelijk niveau, zelfs als uw headset van het openluchttype is, zodat u geluiden van buiten kunt horen. Houd er rekening mee dat een te hoog volume nog steeds geluiden van buitenaf kan blokkeren.

RESETTEN

Als het systeem niet reageert of onregelmatig werkt, hebt u mogelijk een elektrostatische ontlading (ESD) of een stroomstoot gehad waardoor de interne computer automatisch werd uitgeschakeld. Als dit gebeurt, haal dan de stekker uit het stopcontact, wacht 60 seconden en steek de stekker vervolgens weer in het stopcontact. Het apparaat wordt gereset, u moet de klok, het alarm en de vooraf ingestelde radiokanalen instellen.

VERZORGING EN ONDERHOUD

1. Stel het apparaat niet bloot aan overmatige kracht, schokken, stof of extreme temperaturen (boven 40C).
2. Knoei niet met de interne componenten van het apparaat.
3. Reinig uw apparaat met een droge doek. Oplosmiddel of wasmiddel mag nooit worden gebruikt.
4. Laat uw apparaat niet achter in direct zonlicht of op hete, vochtige of stoffige plaatsen.
5. Houd uw apparaat uit de buurt van verwarmingsapparatuur en bronnen van elektrische ruis zoals fluorescentielampen of motoren.
6. Als de muziek tijdens het afspelen van de cd wegvált of wordt onderbroken of als de cd helemaal niet wordt afgespeeld, moet de onderkant mogelijk worden schoongemaakt. Veeg voor het afspelen de disc van binnen naar buiten schoon met een goede, zachte reinigingsdoek.


DE EENHEID REINIGEN

- Om brand of schokken te voorkomen, koppelt u uw apparaat los van de wisselstroombron tijdens het reinigen.
- De afwerking van het apparaat kan worden schoongemaakt met een stofdoek en kan net als andere meubels worden onderhouden. Wees voorzichtig bij het reinigen en afvegen van de plastic onderdelen.
- Als de behuizing stoffig wordt, veegt u deze af met een zachte, droge stofdoek. Gebruik geen was- of polijstsprays op de kast.
- Als het voorpaneel vuil of vlekkerig wordt met vingerafdrukken, kan het worden schoongemaakt met een zachte doek die lichtjes is bevochtigd met een milde zeep- en wateroplossing. Gebruik nooit schurende doeken of poetsmiddelen, omdat deze de afwerking van uw apparaat beschadigen.

LET OP: Zorg ervoor dat er tijdens het schoonmaken nooit water of andere vloeistoffen in het apparaat komen

Technische data:

Energiebehoefte:
Hoofdeenheid: 230V ~ 50Hz
Afstandsbediening: CR2025 3V
DISC speler sectie
Systeem: Compact disc en digitaal audiosysteem Laserdiode-eigenschappen
Emissieduur: continu
Laseroutput: minder dan 44,6 mW (deze output is de waardemeting op een afstand van 200 mm van het objectieflensoppervlak op het optische opnameblok met een diafragma van 7 mm.)
Frequentiebereik
FM tuner sectie:
Afstembereik: 87,5 MHz-108,0 MHz (stap van 50 kHz)
Luidsprekervermogen: 2x 5W
Max: 28W

 We geven om het milieu. We vragen u om de kartonnen verpakkingen te storten bij het oud papier. Polyethyleen zakken (PE) storten in de container voor plastic. Versleten apparatuur afgeven bij het juiste verzamelpunt, als in het apparaat gevaarlijke elementen zitten kan dat een bedreiging zijn voor het milieu. Elektrisch apparaat moet worden geretourneerd om het hergebruik te verminderen. Als in het apparaat batterijen zitten, horen die verwijderd te worden en apart af te worden gegeven bij het juiste verzamelpunt.

(SL) SLOVENŠČINA

VARNOSTNI POGOJI POMEMBNA NAVODILA ZA VARNOST UPORABE PROSIMO, PREBERITE IN POGLEDAJTE ZA PRIHODNOST

Garancijski pogoji se razlikujejo, če se naprava uporablja v komercialne namene.

1. Pred uporabo izdelka natančno preberite in upoštevajte naslednja navodila. Proizvajalec ne odgovarja za kakršno koli škodo zaradi napačne uporabe.
2. Proizvod se sme uporabljati samo v zaprtih prostorih. Izdelka ne uporabljajte za noben namen, ki ni združljiv z njegovo uporabo.
3. primerna napetost je 230V, ~ 50Hz. Iz varnostnih razlogov ni primerno priključiti več naprav na eno vtičnico.
4. Bodite previdni pri uporabi otrok. Otrokom ne dovolite, da se igrajo z izdelkom. Otrokom ali osebam, ki ne poznajo naprave, ne dovolite, da jih uporabljajo brez nadzora.
5. **OPOZORILO:** To napravo lahko uporabljajo otroci, starejši od 8 let, in osebe z zmanjšanimi fizičnimi, čutnimi ali duševnimi sposobnostmi ali osebe brez izkušenj ali znanja o napravi, samo pod nadzorom osebe, odgovorne za njihovo varnost, ali če so bili poučeni o varni uporabi naprave in se zavedajo nevarnosti, povezanih z delovanjem naprave. Otroci se ne smejo igrati z napravo. Čiščenje in vzdrževanje naprave ne smejo izvajati otroci, razen če so starejši od 8 let in se te dejavnosti izvajajo pod nadzorom.
6. Ko končate z uporabo izdelka, ne pozabite nežno odstraniti vtiča iz vtičnice, ki drži vtičnico z roko. Nikoli ne vlecite napajalnega kabla !!!
7. Nikoli ne vstavljajte napajalnega kabla, vtiča ali celotne naprave v vodo. Izdelka nikoli ne izpostavljajte atmosferskim pogojem, kot so neposredna sončna svetloba ali dež, itd. Nikoli ne uporabljajte izdelka v vlažnih pogojih.
8. Periodično preverite stanje napajalnega kabla. Če je napajalni kabel poškodovan, morate izdelek obrniti na strokovno servisno mesto, ki ga je treba zamenjati, da se izognete nevarnim situacijam.
9. Ne uporabljajte izdelka s poškodovanim napajalnim kablom ali če je padel ali je kako drugače poškodovan ali če ne deluje pravilno. Ne poskušajte popraviti poškodovanega izdelka, ker lahko povzroči električni udar. Poškodovano napravo vedno obrnite na strokovno

- servisno mesto, da jo popravite. Vsa popravila lahko opravijo samo pooblašteni serviserji. Nepravilno izvedeno popravilo lahko povzroči nevarne situacije za uporabnika.
10. Ne postavljajte izdelka na vroče ali tople površine ali v kuhinjske aparate, kot je električna pečica ali plinski gorilnik.
 11. Ne uporabljajte izdelka blizu gorljivih snovi.
 12. Ne dovolite, da kabel visi nad robom števca ali dotika vročih površin.
 13. Nikoli ne pustite izdelka, ki je priključen na vir energije, brez nadzora. Tudi če se uporaba prekine za kratek čas, jo izklopite iz omrežja, odklopite napajanje.
 14. Da bi zagotovili dodatno zaščito, je priporočljivo v napajalni tokokrog vgraditi napravo za zadrževanje toka (RCD) s preostalo tokovno močjo največ 30 mA. V zvezi s tem se obrnite na profesionalnega električarja.
 15. Izogibajte se vlažnosti radia.
 16. Radio lahko obrišete samo s suho krpo. Ne uporabljajte vode ali čistilnih tekočin.
 17. Radijski sprejemnik naj bo v suhem prostoru.

NAPRAVA:

1. KAZALNIK ZA VKLOP / IZKLOP NAPAJANJA 2. STIKALNIK 3. ČAS / NASTAVITEV Gumb
4. TUNERSKI KANAL - 5.AUX V 6.USB 7.TUNER CHANNEL +
8. CD STOP BUTTON / BLUETOOTH PAIR Gumb
9. CD / BLUETOOTH PLAY / PAUSE / RADIO AUTO ISKANJE Gumb
10. CD / BLUETOOTH SKIP PREDHODNO / TUNE - Gumb
11. CD / BLUETOOTH SKIP NEXT / TUNE + Gumb
12. ZNAK ZA OBVLADNJO VOLJA 13.LCD PRIKAZ
14. CD VRATA ODPRTO / ZAPRTO Gumb 15.CD.VRATA 16.FM ANTENA
17. GLAVNA JAKNA 18. PRAVI POVEZAVA ZVOČNIKA 19.LEFT SPOJNIK ZA ZVOČNIKE
20. DC NAPAVALNIK 21. Vrata za baterijo

DALJINEC:

1. KAZALNIK ZA VKLOP / IZKLOP NAPAJANJA 2. NAVODILO ZA NEPOSREDNO ISKANJE
3. PROG . Gumb 4. Gumb za zasledovanje CD / USB ali čas premakni gumb, gumb za pomikanje navzdol.
5. Gumb za izenačenje 6.REPEAT Gumb 7.X-BASS Gumb 8.TRACK DOWN Gumb
9. CD / BLUETOOTH PLAY / PAUSE / RADIO AUTO ISKANJE Gumb
10. CD / BLUETOOTH SKIP PREDHODNO / TUNE - Gumb
11. CD / BLUETOOTH SKIP NEXT / TUNE + Gumb
- 12.KLIKNI SET 13.LCD DISPLAY 14.CD VRAT ODPRTI / ZAPORI
15. CD VRATA 16.FM ANTENE 17. Vtikač slušalk
18. PRAVI POVEZAVA ZVOČNIKA 19.LEFT ZAVORNIK ZA ZVOČNIKE
20. VREČKA RANDOM IN INTRO KLJUČNA vrata
22. BT PLAY / PAUSE Gumb 23. VOLUM GOR
24. CD PLAY / PAUSE Gumb 25.CD STOP Gumb

POVEZAVE SISTEMA

Prepričajte se, da odklopite napajalni kabel iz vtičnice.

AC napajalna povezava

Napajalni kabel priključite v razpoložljivo omrežno vtičnico 230 V ~ 50 Hz. Prepričajte se, da je vtič pravilno vstavljen v električno vtičnico.

Nameščanje baterij za varnostno kopiranje baterije

1. Odstranite vrata predalčka za baterije, ki se nahajajo na dnu glavne enote.
2. Sledite oznakam polarnosti in prostoru za baterije in vstavite 2 x AAA baterije (niso priložene) v dve reži za baterije, ki sta nameščeni v prostoru za baterije.
3. Ponovno namestite vrata akumulatorja.

OPOMBE:

- Pri zamenjavi rezervnih baterij ne izključujte napajalnega kabla iz vtičnice. V tem primeru bodo izbrisane vse trenutne nastavitve časa in nastavitve alarma.
- Če bo enota dalj časa brez vtičnice, jo odstranite, da ne pride do poškodb, ki bi nastale, če baterije puščajo in povzročijo korozijo.

Daljinec

Daljinski upravljalnik deluje na eni 3-litrski bateriji CR2025 (vključena v daljinski upravljalnik). Če želite aktivirati daljinski upravljalnik, odstranite jeziček izolatorja, ki je vstavljen v predal za baterijo.

Če delovanje na daljavo postane občasno ali nezadovoljivo, prvotno baterijo zamenjajte z novo litijevo baterijo CR2025 3V.

1. Pritisnite pokrov predalčka, izlecite držalo baterije iz ohišja daljinskega upravljalnika.
2. Ponovno namestite baterijo in se prepričajte, da je baterija pravilno nameščena. Daljinec ne bo deloval, če je baterija nameščena z napačno polarnostjo.

POZOR:

- 1.) Če napačno zamenjate baterijo, lahko pride do eksplozije.
- 2.) Zamenjajte samo z baterijo istega ali enakovrednega tipa.
- 3.) Držalo baterije vstavite nazaj v režo za baterijo.

VKLOP / IZKLOP ENOTE

1. V načinu izklop (stanje pripravljenosti) tapnite gumb POWER / STANDBY (A1, B1) na glavni enoti ali daljinskem upravljalniku, da enoto vklopite. Enota se vklopi, na LCD zaslonu se prikaže zadnja izbrana ikona načina vnosa.
2. Če želite izklopiti enoto (stanje pripravljenosti), se na glavni enoti ali daljinskem upravljalniku znova dotaknete gumba za vklop / izklop POWER / STANDBY (A1, B1). LCD-zaslon se zatemni in prikaže trenutni čas. Indikator stanja pripravljenosti zasveti

NASTAVITEV URA

Po priključitvi napajalnika se na LCD zaslonu prikaže »00:00« in začne utripale.

1. V načinu izklopa (pripravljenosti) na daljinskem upravljalniku ali glavni enoti pridržite gumb CLOCK SET (B13), na zaslonu se prikaže format 24HUR "24H".
2. Tapnite gumb Prejšnji / Naslednji (B4, B18) na daljinskem upravljalniku ali glavni enoti, da izberete obliko 24 ur, če je potrebno. V nasprotnem primeru s tipko CLOCK SET (B12) potrdite 12-urno obliko ure in vstopite v način nastavitve ure. Številke ur bodo utripale.
3. Tapnite tipko Prejšnji / Naslednji (B4, B18) na daljinskem upravljalniku ali glavni enoti, da prilagodite uro. Pritisnite in zadržite gumb za hitro nastavev naprej / nazaj.
- Opomba: Prepričajte se, da je ura nastavljena tako, da je indikator PM pravilno prikazan.
4. Pritisnite tipko CLOCK SET (B12) na daljinskem upravljalniku, da potrdite nastavev ure, minutne številke bodo utripale, da se bo pozval k vnosu.
5. Tapnite gumb Prejšnji / Naslednji (B4, B18) na daljinskem upravljalniku ali glavni enoti, da prilagodite minuto. Pritisnite in zadržite gumb za hitro nastavev naprej / nazaj.
6. Za dokončanje nastavitve ponovno pritisnite gumb CLOCK SET (B12) na daljinskem upravljalniku.

OPOMBA: Če je napajanje prekinjeno ali če pride do izpada električne energije, morate ponastaviti nastavitve ure in radijskih postaj. Na zaslonu LCD se prikaže »00:00« in začne utripale, da vas obvesti, da je bilo napajanje prekinjeno in uro bo treba ponastaviti. Za ponastavev ure sledite zgornjim korakom 1-6.

PREVERJANJE URA

Naprava prikazuje trenutni čas v stanju pripravljenosti. Če želite preveriti trenutni čas v načinu napajanja, pritisnite in zadržite tipko CLOCK SET (B12) na glavni enoti ali daljinskem upravljalniku 3 sekunde, trenutni čas se prikaže 5 sekund, nato pa se vrnete na prejšnji zaslon.

DELOVANJE ALARMOV (SAMO DALJINSKI NADZOR)

NASTAVITEV URE

Ta funkcija omogoča, da se sistem samodejno vklopi in vas zbudi z zvočnim alarmom, CD-jem, USB-om ali BU RADIJO.

1. Pritisnite in držite gumb TIMER (B13) na daljinskem upravljalniku, dokler se na prikazovalniku ne prikaže »Vključeno« in časi utripajo.
2. Pritisnite gumba za prejšnji / naslednji gumb (B4, B18), da prilagodite številke ur, nato pa za potrditev pritisnite gumb TIMER. Številke minut bodo na zaslonu utripale.
3. Pritisnite gumba za prejšnji / naslednji gumb (B4, B18), da prilagodite minutne številke, nato pa za potrditev pritisnite gumb TIMER (B13).
4. Ko je nastavljen gumb Prejšnji / Naslednji (B4, B18) na uro, se na prikazovalniku prikaže "OFF" in utripajo se urne številke.
5. Pritisnite gumba za prejšnji / naslednji gumb (B4, B18), da prilagodite številke ur, nato pa za potrditev pritisnite gumb TIMER (B13). Številke minut bodo na zaslonu utripale.
6. Pritisnite gumba za prejšnji / naslednji gumb (B4, B18) na daljinskem upravljalniku, da prilagodite minutne številke, nato pa za potrditev pritisnite gumb TIMER.
7. Pritisnite gumba za izbiro načina CD, USB, BT ali FM, nato za potrditev pritisnite gumb TIMER (B13). Na prikazovalniku se prikaže »VOL #« in utripa.
- Pritisnite gumba za prejšnji / naslednji gumb (B4, B18), da prilagodite glasnost, nato pa za potrditev pritisnite gumb TIMER.
8. Pritisnite gumb TIMER (B13), da izberete "Časovnik vključen", in Timer je zdaj nabor.
9. V pripravljenosti se na zaslonu prikaže ikona Timer, ki označuje, da je Timer On vključen.

OPOMBA:

- 1.) Če je izbran »Wake to CD, USB«, vendar CD ni vstavljen, bo alarm privzeto nastavljen na Beeper Alarm, ko doseže čas bujenja alarma.
- 2.) Pri »Wake to Radio« bo sistem pred izklopom privzel zadnjo poslušano FM radijsko postajo.
- 3.) Alarm crescendo se bo povečal na nastavljeno glasnost.

AKTIVNO / DEAKTIVNO FUNKCIJO ALARMA

1. Če želite aktivirati ALARM, se enkrat dotaknete gumba TIMER (B13) in na LCD zaslonu se prikaže ikona alarma.
2. Funkcijo ALARM prekličite tako, da znova tapnete gumb TIMER (B13). Ikona alarma se ugasne.

Zbudi se za radio, CD, USB ali BUZZER Alarm

- Ko doseže čas alarma, se bo zvok alarma CD, USB ali radia sprožil 60 minut, nato se izklopil in ponastavlil za naslednji dan (ne da bi pritisnil gumb za dremež).
- Za zaustavev alarma takoj, ko se oglasi, enkrat na dotik ali na glavni enoti tapnite gumb POWER / STANDBY (A1, B1). Naslednji dan se resetira.
- Če želite naslednji dan preklicati alarm, se enkrat dotaknete gumba TIMER (B13), ikona ALARM ugasne.

RADIJSKO DELOVANJE

1. Tapnite gumb POWER / STANDBY (A1, B1) na glavni enoti ali daljinskem upravljalniku, da vklopite enoto.
2. Tapnite gumb SOURCE (A1, B11) na glavni enoti ali daljinskem upravljalniku, da izberete način FM, na prikazovalniku se prikaže frekvenca FM.
3. Če želite ročno nastaviti določeno radijsko postajo, se večkrat dotaknete možnosti sledenja, sledenja (A10, A11, B8, B18) na glavni enoti ali daljinskem upravljalniku. Za nastavev šibkejših postaj, ki jih obidete med samodejnim nastavljanjem, uporabite način ročne nastavitve.
4. Če želite samodejno nastaviti naslednjo radijsko postajo, pritisnite in držite gumb za sledenje (A10, A11, B8, B18) na glavni enoti ali daljinskem upravljalniku za 1-2 sekunde, dokler se odčitavanje frekvence na zaslonu ne začne skenirati in nato spustite gumb. Tuner bo prenehal skenirati, ko prejme naslednjo radiodifuzno postajo ustreznosti jakosti signala.
5. Pritisnite gumb za glasnost na glavni enoti ali daljinskem upravljalniku, da nastavite glasnost na zeleno glasnost.

FM / FM stereo sprejem

Ko poslušate FM radio, na daljinskem upravljalniku pritisnite gumb ST./ MONO (B16), da preklopite med stereo način in mono način. Če je enota v stereo načinu, se na prikazovalniku prikaže FM stereo ikona "ST". Bolje je, da program prejmete mono, ko sprejemate šibko postajo.

NASVETI ZA NAJBOLJŠE PRIJEM:

FM - Za najboljši sprejem FM je FM svinčena antena na zadnji strani enote
je treba popolnoma odvit in podaljšati.

OPOMBA: Samodejno ugaševanje je odvisno od jakosti signala radiodifuzne postaje, zato lahko šibke postaje preskočite. Če je postaja preskočena, lahko ročno nastavite in poiščete šibke postaje. Z močnim signalom se lahko sprejemnik ustavi, preden doseže dejansko frekvenco oddajanja, zato boste morda morali za najboljši sprejem ročno nastaviti.

PRESET RADIO STANKE

1. Pritisnite gumb POWER / STANDBY (A1, B1) na glavni enoti ali daljinskem upravljalniku, da vklopite enoto.
2. Tapnite gumb SOURCE (A1, B11) na glavni enoti ali daljinskem upravljalniku, da izberete način FM radia.
3. Pritisnite in pridržite tapni gumb Track Down, Track up (A10, A11, B8, B18) na glavni enoti ali daljinskem upravljalniku, dokler se odčitavanje frekvence na zaslonu ne začne skenirati, nato pa sprostite gumb za samodejno iskanje in programiranje prednastavljenih kanalov. Na prikazovalniku utripa napis " PROG ". Samodejno iskanje in program se ustavi na P01 po končanem skeniranju, na zaslonu pa se stalno prikazuje " PROG ".
- Opomba: Če kanali, shranjeni med samodejnim iskanjem in programiranim prednastavitvam, niso tisti, ki jih želite shraniti, za ročno shranjevanje radijskih prednastavitev uporabite spodnji način.
4. Nastavite želeno radijsko postajo bodisi z ročno ali z avtomatsko nastavitvijo.
5. Tapnite PROG . (B3) na daljinskem upravljalniku, naslednja prednastavljena številka pomnilnika in utripajoči PROG . (B3) se na LCD zaslonu prikaže ikona. (Opomba: "P01" se prikaže, če prvič programirate prednastavitve)
6. Tapnite PRE. Gumb (B15, B19) na glavni enoti ali daljinskem upravljalniku, da izberete prednastavljeno številko, ki ji želite dodeliti postajo.
7. Tapnite PROG . (B3) Gumb za potrditev nastavitve.
8. Ponovite zgornje korake 4 - 8, da nastavite do 30 FM postaj.

PRIJAVA PRESETNIH SPOMINSKIH KANALOV

V radijskem načinu priključite prednastavljene kanale s pritiskom na PRE. Gumb (B15, B19) večkrat na daljinskem upravljalniku.

DELOVANJE CD predvajalnika

Opomba:

- 1. Ta CD predvajalnik ne bo predvajal samo komercialnih CD-jev, temveč tudi samostojno sestavljene CD-R / RW, MP3 diske. Ne poskušajte predvajati CD-ROM, CDI, VCD, DVD ali računalniških CD-jev.
- 2. MP3 je oblika stiskanja. To je kratica, ki pomeni MPEG Audio Layer 3. MP3 je vrsta zvočne kode, ki se obdeluje z občutnim stiskanjem iz prvotnega vira zvoka z zelo malo izgube v kakovosti zvoka.
- Ta sistem podpira datoteke MPEG 1 Layer 3 in VBR.
- Med predvajanjem datoteke VBR se lahko števec časa na zaslonu razlikuje od dejanskega časa predvajanja.
- Bitka, ki jo podpira MP3, je 32 ~ 320 kbps

PROSIMO PREBERITE TE POMEMBNE INFORMACIJE:

CD mehanizmi, ki se uporabljajo v napravah, kot je ta, so zasnovani za branje vseh komercialnih CD-jev. Prav tako bo prebral samozbrane CD-R / CD-RW, MP3 diske, vendar lahko traja do 10 sekund, da se dejansko predvajanje začne. Če se predvajanje ne začne, je to verjetno posledica kakovosti CD-R / RW, MP3 diska in / ali združljivosti programske opreme za zbiranje CD-jev. Proizvajalec ni odgovoren za kakovost predvajanja CD-R / RW, MP3 plošč.

Ne pritrđite nalepke ali pečata na nobeno stran CD-R / RW, MP3 diska. Lahko povzroči okvaro.

Predvajanje CD-ja

1. Pritisnite gumb POWER / STANDBY (A1, B1) na glavni enoti ali daljinskem upravljalniku, da vklopite enoto.
2. Tapnite gumb SOURCE (A1, B11) na daljinskem upravljalniku ali glavni enoti, da izberete način CD, nato pritisnite Odpri predel za disk.
3. Na sredinsko vreteno namestite zvočni CD tako, da je njegova nalepka obrnjena navzven proti vratom CD. Zaprite predel za diske.
4. Enota začne brati disk, na prikazovalniku utripa „---“. Po nekaj sekundah se skupno število posnetkov prikaže eno sekundo in nato skupni čas CD-ja se prikaže na LCD-prikazovalniku.
5. Pritisnite gumb PLAY / PAUSE (A9, B22) na glavni enoti ali daljinskem upravljalniku, na zaslonu se prikaže indikator PLAY, CD pa se začne predvajati iz prve skladbe.
6. Pritisnite regulator glasnosti Prilagodite glasnost. na glavni enoti ali daljinskem upravljalniku, da se prilagodite željeni glasnosti.
7. Za zaustavitev predvajanja pritisnite gumb PLAY / PAUSE (A9, B22) na glavni enoti ali daljinskem upravljalniku. Čas posnetka bo začasno zaustavljen in na prikazovalniku se prikaže indikator PAUSE. Če želite nadaljevati s predvajanjem, znova pritisnite tipko CD PLAY / PAUSE (A9, B22).
8. Svojo najljubšo skladbo lahko izberete neposredno tako, da pritisnete Track Down, Track up (A10, A11, B8, B18). LCD zaslon bo prikazal pravilno izbrano številko posnetka.
9. Če želite določen odsek najti znotraj skladbe, pridrđite tipko Track Down, Track up (A10, A11, B8, B18), dokler ne najdete odseka. Sprostite gumb za nadaljevanje predvajanja.
10. Za prekinitev predvajanja pritisnite gumb STOP (A8, B25).

POSTOPEK PREDELAVE MP3 DISC-a

Predvajanje CD-R / RW, Mp3

1. Pritisnite gumb SOURCE (A1, B11) na daljinskem upravljalniku in naložite MP3 Mp3.
 2. Pritisnite gumb FOLDER (B15, B19) in izberite želeno mapo za predvajanje.
 3. Izberite želeno datoteko, ki jo želite predvajati, s pritiskom na gumb Track Down, Track up (A10, A11, B8, B18).
 4. Pritisnite PLAY / PAUSE (A9, B22). Začelo se bo predvajanje in prikazano bo ime datoteke.
- s V primeru predvajanja z vklopljenim načinom mape pritisnite gumb FOLDER (B15, B19) in mapo lahko izberete, čeprav je v načinu predvajanja / prekinitve. Nadzor nadaljuje z načinom predvajanja / pavze v 1. posnetku izbrane mape.

ZA PREDVAJANJE POVEZAVE USB /MP3 predvajalnik s mapico

1. Pritisnite tipko SOURCE (A1, B1) na daljinskem upravljalniku ali gumb SOURCE (A1, B1) na glavni enoti, da izberete funkcijo USB. Priključite pomnilniško napravo USB, ki ima na enoti datoteke v formatu MP3. Ko je USB pomnilnik priključen na glavno enoto, se prikažejo podatki o napravi.
2. Pritisnite gumb FOLDER (B15, B19) in izberite želeno mapo za predvajanje. Če želite začeti predvajanje z vklopljenim načinom mape, pojdite na korak.
3. Izberite želeno datoteko, ki jo želite predvajati, s pritiskom na gumb Track Down, Track up (A10, A11, B8, B18).
4. Pritisnite PLAY / PAUSE (A9, B22). Predvajanje se bo začelo in prikazano bo ime datoteke.

OPOMBA:

- Ta izdelek ni združljiv z datotečnimi sistemi MTP in AAC iz pomnilniške naprave USB ali predvajalnika Mp3.
- Ta enota podpira FAT16 in FAT32, vendar nekateri pomnilniški USB morda ne podpirajo obeh datotečnih sistemov. Podrobnosti si oglejte v priručniku za uporabo zadevne pomnilniške naprave USB ali se obrnite na proizvajalca.

NAČIN SKIPA IN ISKANJA

1. V načinu Predvajanja ali zaustavitve tapnite gumb Track Down, Track up (A10, A11, B8, B18), da se premaknete na naslednjo skladbo ali se vrnete na začetek trenutne skladbe.
2. Med predvajanjem pridržite tipko Track Down, Track up (A10, A11, B8, B18), če želite iskati po trenutni skladbi z zvočnim predvajanjem visoke hitrosti.

RAZLIČNI NAČINI PREDVAJANJA (SAMO DALJINSKI NADZOR)

Večkrat pritisnite gumb REPEAT (B6) na daljinskem upravljalniku, da izberete različne načine predvajanja, ko se predvaja CD.

Med predvajanjem CD-jev so načini predvajanja prikazani kot spodaj:

- Ponovite
- Ponovi vse
- Običajno

REPEAT 1 - predvajana skladba se bo neprestano ponavljala. Ponovite eno ikono "REPEAT 1" se prikaže na zaslonu.
PONOVITI VSE - vsi posnetki se bodo ponavljali nenehno. Ponovite vse ikone Na prikazovalniku se prikaže "REPEAT ALL".

RANDOM PLAY

Ko pritisnete tipko RANDOM (B20) tri, se na LCD zaslonu zasveti indikator " RDM ". Skladbe na disku se lahko samodejno predvajajo v naključnem vrstnem redu.

Če želite preklicati naključno predvajanje:

Ponovno pritisnite gumb RANDOM (B20). Indikator " RDM " izgine.

OPOMBA:

Če med naključnim predvajanjem pritisnete tipko, se lahko premaknete na sled, ki ga izberete naslednji naključni postopek. Po drugi strani pa gumb ne omogoča premika na prejšnjo skladbo. Našel se bo začetek skladbe, ki se predvaja.

V naključnem predvajanju enota samodejno izbere in predvaja skladbe. (Ne morete izbrati vrstnega reda skladb.)

INTRO PLAYBACK

1. Na daljinskem upravljalniku pritisnite INTRO (B20). Na prikazovalniku se prikaže indikator "INTRO (B20)". Enota bo predvajala prvih 10 sekund vsake skladbe.
2. Znova pritisnite INTRO (B20) na daljinskem upravljalniku, če želite nadaljevati normalno predvajanje.

PREDSTAVI PROGRAMIRANJE Sledenja

Ta funkcija omogoča predvajanje skladb v programiranem zaporedju. Uporabnik lahko programira do 32 skladb v načinu CD ali 99 skladb v MP3 v katerem koli

OPOMBA: Program lahko nastavite samo v načinu STOP.

1. Tapnite PROG . Gumb (B3) na daljinskem upravljalniku prikazuje številka programa "1" na zaslonu, na LCD zaslonu utripa tudi ikona " PROG " in številka posnetka CD-ja "-". (Opomba: "1 -" se prikaže, če prvič programirate).

2. Uporabite funkcijo Track Down, Track up (A10, A11, B8, B18) na glavni enoti ali daljinskem upravljalniku, da izberete zeleni posnetek. Številka skladbe bo prikazana na zaslonu.

3. Tapnite PROG . Gumb (B3) na glavni enoti ali daljinskem upravljalniku za shranjevanje izbranega posnetka v pomnilnik, naslednja številka programa bo eno (tj. "2") v LCD zaslonu.

4. Ponovite korake od 2 do 3, da shranite več skladb v pomnilnik. Lahko shranite do CD 32 skladb, MP3 99 skladb. Na zaslonu se prikaže "FUL ", potem ko so programirani programi.

5. Tapnite IGRI / PAZE (A9, B22). na glavni enoti ali daljinskem upravljalniku za začetek predvajanja CD-ja v programiranem zaporedju.

6. Pritisnite gumb REPEAT (B6) na daljinskem upravljalniku, da izberete Ponovi 1 / Vse, če je potrebno.

7. Za prenehanje predvajanja pritisnite gumb STOP (A8, B25) na glavni enoti ali daljinskem upravljalniku.

Če želite preklicati predvajanje programa, dvakrat pritisnite gumb STOP (A8, B25) na glavni enoti ali daljinskem upravljalniku, na zaslonu izgine ikona " PROG ".

DELOVANJE BLUETOOTHA

Pritisnite gumb POWER / STANDBY (A1, B1), da vklopite enoto in sledite spodnjim navodilom za povezavo prek Bluetooth.

POROČANJE (povezovanje) mobilnega telefona z BLUETOOTH ALI DRUGE BLAGOVNE NAPRAVE na napravo

Če CR 1173 še nikoli ni bil seznanjen z napravo Bluetooth. Če želite povezati napravo z napravo Bluetooth, morate slediti spodnjim navodilom za seznanjanje.

1. Pritisnite gumb POWER / STANDBY (A1, B1) na glavni enoti ali daljinskem upravljalniku, da vklopite enoto.

2. Tapnite gumb SOURCE (A1, B1) na glavnem ali daljinskem upravljalniku, da izberete način Bluetooth, na zaslonu in utripa se prikaže sporočilo Bluetooth " bt ".

3. Če CR 1173 še nikoli ni bil seznanjen z napravo Bluetooth ali ne more najti zadnje seznanjene naprave, utripajoča " bt " na LCD-u označi, da je XXX v iskalnem načinu. Če želite povezati napravo z napravo Bluetooth, morate slediti spodnjim navodilom za seznanjanje.

· Vključite funkcijo Bluetooth naprave Bluetooth in omogočite funkciji iskanja ali skeniranja, da poišče CR 1173.

· Na seznamu naprav izberite "CR 1173", ko se prikaže na zaslonu naprave. Po potrebi vnesite kodo "0000", če želite povezati CR 1173 s svojo napravo.

- Po uspešno združevanju (povezovanju) se bo zaslon spremenil tako, da bo stalno prikazal " bt ", na zaslonu pa se bo prikazala tudi ikona Bluetooth. Glasbo lahko začnete predvajati iz naprave Bluetooth brezžično do zvočnika.
- Ko izberete svojo najljubšo skladbo, pritisnite gumb PLAY PAUSE (B22, A9) na enoti ali daljinskem upravljalniku, če želite predvajati ali začasno ustaviti skladbo.
- Pritisnite gumb za glasnost na glavni enoti ali daljinskem upravljalniku, da nastavite želeno glasnost.
- Pritisnite gumb Track Down, Track up (B8, B9) na glavni enoti ali daljinskem upravljalniku, da preidete na prejšnjo ali naslednjo skladbo.
- Ce želite napravo seznaniti z drugo napravo, ki podpira Bluetooth, pritisnite in držite gumb PAIR (B10) 3 sekunde ali izklopite funkcijo Bluetooth naprave, ki je trenutno seznanjena z napravo, nato ponovite korak 3 zgoraj.

Opombe:

- 1.) Za delovanje Bluetooth glejte priročnik svojega mobilnega telefona, tabličnega računalnika, računalnika ali drugih naprav, ki podpirajo Bluetooth, saj se lahko razlikujejo od modela do modela.
- 2.) Če naprava, ki podpira Bluetooth, ne podpira profila A2DP, glasba ne bo predvajala skozi zvočnik, čeprav je seznanjena (povezana).
- 3.) Če združite (povežete) računalnik z enoto prek Bluetooth, boste morda morali zvočnik nastaviti kot privzeto zvočno napravo vašega računalnika.

POMOŽNO DELOVANJE VHODA

Ta enota vsebuje pomožni vhodni vhod za zvočni signal za povezovanje zunanjih avdio naprav, kot so MP3 predvajalniki, digitalna avdio naprava in jih poslušate prek zvočnikov te enote.

1. Uporabite zvočni kabel (ni priložen) z enim 3,5 mm stereo vtičem na vsakem koncu kabla.
2. Priključite en konec v AUX IN JACK (A5) na glavni enoti, drugi konec kabla pa v Line-out priključek ali vtičnico za slušalke vaše zunanje avdio naprave.
3. Vključite enoto in zunanjo zvočno napravo.
4. Tapnite gumb SOURCE (A1, B11) na glavnem ali daljinskem upravljalniku, da izberete način AUX, vklopi se ikona "AUX", na zaslonu se prikaže sporočilo "AUX".
5. Raven glasnosti lahko zdaj nadzorujete prek glavne enote. Vse druge funkcije pomožne naprave izvajajte kot običajno.

Opomba:

Če to enoto priključite na linijski vhod zunanje naprave, morate prilagoditi le glasnost te enote. Če priključite priključek za slušalke svoje zunanje naprave, boste morda morali prilagoditi tako glasnost zunanje naprave kot te enote, da dobite želeno nastavitve glasnosti.

PRESET EQ (SAMO DALJINSKI NADZOR)

Ta enota ponuja 4 različne načine EQ za izboljšanje vaše izkušnje poslušanja. Želeni učinek lahko izberete s pritiskom gumba EQ (B5) na daljinskem upravljalniku v naslednjem zaporedju:

ROCK POP JAZZ CLASSIC OFF

Gumb MUTE (SAMO DALJINSKI NADZOR)

- Pritisnite tipko MUTE (B21) na daljinskem upravljalniku, da začasno izključite zvok iz zvočnika. Na zaslonu se prikaže "V 00".
- Ponovno pritisnite tipko MUTE (B21) ali VOLUME CONTROL (B23, A12), da nadaljujete normalno predvajanje zvočnikov.

SLEEP DELOVANJE (SAMO DALJINSKI NADZOR)

Merilnik časa mirovanja vam omogoča, da enoto izklopite po določenem času.

1. Za aktiviranje časovnika za spanje vklopite enoto in tapnite gumb SOURCE (A1, B11), da izberete FM radio, CD, USB, Bluetooth ali poslušanje glasbe prek AUX IN.
2. Tapnite gumb SLEEP (B14) na daljinskem upravljalniku, na zaslonu se prikaže ikona za čas mirovanja »SLEEP«.
3. Večkrat tapnite gumb SLEEP (B14), da izberete čas spanja. Enota se izklopi po 10, 20, 30, 40, 50, 60, 70, 80 ali 90 minutah. Po potrditvi izbire enote počakajte 3 sekunde, da se enota predvaja za izbrano časovno obdobje in se nato samodejno izklopi.
4. Če želite preklicati časovnik mirovanja, večkrat tapnite tipko SLEEP (B14), dokler ne prikaže »OFF«, na zaslonu izgine ikona za čas mirovanja »SLEEP«.
5. Če želite enoto izklopiti pred izbranim časom, kadar koli pritisnite gumb POWER / STANDBY (A1, B1).

Opombe:

- 1.) Če želite preveriti preostali čas spanja, se enkrat dotaknite gumba SLEEP (B14).
- 2.) Če zaspite ob glasbi z zunanje naprave, povezane na AUX vhod, izklopni časovnik napajanje tega sistema, zunanje naprave pa ne izklopi.

UPORABA naglavnih glavic (niso vključene)

Če vstavite vtič svojih slušalk v vhod za stereo slušalke (A17), boste lahko zasebno poslušali glasbo s CD-ja ali radia. Pri uporabi slušalk bodo vgrajeni zvočniki izključeni.

PREBERITE TE POMEMBNE INFORMACIJE PRED UPORABO SVOJIH TELEFONOV

1. Izogibajte se predolgi igri pri zelo visoki glasnosti, saj lahko poslabša sluh.
2. Če v ušesih zazvonijo zvoki, zmanjšajte glasnost ali izklopite enoto.
3. Glasnost naj bo na primeren ravn, tudi če je vaša slušalka na prostem, zasnovana tako, da lahko slišite zunanje zvoke. Upoštevajte, da lahko pretirano velika glasnost še vedno blokira zunanje zvoke.

RESETTING

Če se sistem ne odzove ali ima napako v delovanju, ste morda opazili elektrostatični izpust (ESD) ali prenapetost, ki je sprožil notranji računalnik, da se samodejno izklopi. Če se to zgodi, odklopite napajalni kabel iz vira napajanja, počakajte 60 sekund in nato znova priključite napajalni kabel na vir napajanja. Enota se bo ponastavila, nastavitve morate uro, budilko in prednastavljene radijske kanale.

NEGA IN VZDRŽEVANJE

1. Naprave ne izpostavljajte preveliki sili, udarcem, prahu ali ekstremnim temperaturam (nad 40 ° C).

2. Ne posegajte v notranje komponente enote.
3. Očistite svojo enoto s suho krpo. Topila ali detergenta nikoli ne uporabljajte.
4. Izogibajte se puščanju naprave na neposredni sončni svetlobi ali v vročih, vlažnih ali prašnih prostorih.
5. Hranite napravo stran od grelnih naprav in virov električnega hrupa, kot so fluorescenčne sijalke ali motorji.
6. Če se med predvajanjem CD-ja v glasbi pojavijo osipi ali prekinitve ali če CD sploh ne predvaja, bo morda potrebno očistiti njegovo spodnjo površino. Pred igranjem obrišite disk od sredine navzven z dobro mehko krpo za čiščenje.

ČIŠČENJE ENOTE

- Da preprečite nevarnost požara ali šoka, med čiščenjem izključite enoto iz vira napajanja.
- Končni del naprave je mogoče očistiti s prašno krpo in skrbeti za drugo pohištvo. Bodite previdni pri čiščenju in brisanju plastičnih delov.
- Če omara postane prašna, jo obrišite z mehko krpo za suh prah. Na omaro ne uporabljajte nobenih voska ali laka.
- Če je sprednja plošča umazana ali zamazana s prstnimi odtisi, jo lahko očistite z mehko krpo, ki je rahlo navlažena z blago raztopino vode in mila. Nikoli ne uporabljajte abrazivnih krp ali lakov, ker lahko to poškoduje zaključek vaše enote.

POZOR: Med čiščenjem nikoli ne dovolite, da bi voda ali druge tekočine vstopile v enoto

Tehnični podatki:

Zahteve po moči:

Glavna enota: 230V ~ 50Hz

Daljinec: CR2025 3V

Odsek predvajalnika DISC

Sistem: Kompaktni disk in digitalni avdio sistem Lastnosti laserske diode

Trajanje emisij: Nenehno

Laserski izhod: Manj kot 44,6 mW (Ta izhod je meritev vrednosti na razdalji 200 mm od objektivne površine leče na optičnem sprejemnem bloku z 7 mm odprtino).

Frekvenčni razpon

Oddelek za FM sprejemnik:

Obseg uglaševanja: 87,5 MHz-108,0 MHz (korak 50 kHz)

Moč zvočnika: 2x 5W

Max: 28W



Skrbimo za okolje. Kartonska embalaža, prosim darovati na odpadni papir. Polietilenske vreče (PE) mečite v posoda za plastiko. Dotrajane naprave je treba vrniti na ustrezno zbirno mesto, ker vsebovane v napravo nevarne elemente lahko predstavljajo nevarnost za okolje. Električna naprava je treba vrniti kakor, da se omeji njegovo ponovno uporabo in izkoriščenost. Če naprava vsebuje baterio, je treba odstraniti in ločeno dati nazaj na mesta skladiščenja.

SIGURNOSNI UVJETI VAŽNE UPUTE O SIGURNOSTI UPORABE MOLIMO VAS DA PROCITAJTE I ČUVAJTE ZA BUDUĆE REFERENCE

Uvjeti jamstva se razlikuju, ako se uređaj koristi u komercijalne svrhe.

1. Prije uporabe proizvoda pažljivo pročitajte i uvijek se pridržavajte sljedećih uputa. Proizvođač nije odgovoran za bilo kakvu štetu nastalu zbog zlouporabe.
2. Proizvod se smije koristiti samo u zatvorenom prostoru. Nemojte koristiti proizvod za bilo koju svrhu koja nije kompatibilna s njegovom primjenom.
3. Primjenjivi napon je 230V, ~ 50Hz. Iz sigurnosnih razloga nije prikladno priključiti više uređaja na jednu utičnicu.
4. Budite oprezni prilikom korištenja oko djece. Nemojte dopustiti djeci da se igraju s proizvodom. Ne dopustite djeci ili osobama koje ne poznaju uređaj da je koriste bez nadzora.
5. UPOZORENJE: Ovaj uređaj mogu koristiti djeca starija od 8 godina i osobe sa smanjenim fizičkim, osjetilnim ili mentalnim sposobnostima, ili osobe bez iskustva ili znanja o uređaju, samo pod nadzorom osobe odgovorne za njihovu sigurnost, ili ako su poučeni o sigurnom korištenju uređaja i koji su svjesni opasnosti povezanih s njegovim radom. Djeca se ne smiju igrati s uređajem. Čišćenje i održavanje uređaja ne smiju izvoditi djeca, osim ako su starija od 8 godina i te se aktivnosti obavljaju pod nadzorom.
6. Nakon što završite s korištenjem proizvoda, uvijek imajte na umu da lagano izvadite utikač iz utičnice koja drži utičnicu rukom. Nikada ne vucite kabel za napajanje !!
7. Nikada ne stavljajte kabel za napajanje, utikač ili cijeli uređaj u vodu. Nikada ne izlažite proizvod atmosferskim uvjetima kao što su izravna sunčeva svjetlost ili kiša itd. Nikada ne koristite proizvod u vlažnim uvjetima.
8. Periodično provjerite stanje kabela za napajanje. Ako je kabel za napajanje oštećen, proizvod treba okrenuti u profesionalni servisni prostor koji treba zamijeniti kako bi se izbjegle opasne situacije.
9. Nikad nemojte koristiti proizvod s oštećenim kablom za napajanje ili ako je ispušten ili oštećen na bilo koji drugi način ili ako ne radi ispravno. Ne pokušavajte sami popraviti oštećeni proizvod jer to može dovesti do strujnog udara. Oštećeni uređaj uvijek okrećite na mjesto profesionalnog servisiranja kako biste ga popravili. Sve popravke mogu obaviti samo ovlašteni serviseri. Neispravan popravak može uzrokovati opasne situacije za korisnika.
10. Nikad ne stavljajte proizvod na vruće ili tople površine ili u kuhinjske uređaje kao što je električna pećnica ili plinski plamenik.
11. Nikada nemojte koristiti proizvod blizu zapaljivih tvari.
12. Ne dopustite da kabel visi preko ruba pulta ili dodira s vrućim površinama.
13. Nikad ne ostavljajte proizvod spojen na izvor napajanja bez nadzora. Čak i kada je uporaba prekinuta na kratko, isključite je iz mreže, isključite napajanje.
14. Da bi se osigurala dodatna zaštita, preporučuje se u strujni krug instalirati uređaj za zadržavanje struje (RCD) s preostalom strujnom snagom ne većom od 30 mA. Obratite se profesionalnom električaru u vezi s tim.
15. Izbjegavajte da mokri radio.
16. Radio se može brisati samo suhom krpom. Nemojte koristiti vodu ili tekućine za čišćenje.
17. Radio treba čuvati u suhom prostoru.

UREDAJ:

1. ULAZNA / ISKLJUČENA SNAGA NAPAJANJA 2.SOURCE 3. VREMENSKI SET / MEMORY Gumb
4. KANAL TUNERA - 5.AUX U 6.USB 7.TUNER CHANNEL +
8. CD STOP BUTTON / BLUETOOTH PAIR BUTTON
9. CD / BLUETOOTH PLAY / PAUSE / RADIO AUTO PRETRAŽI Gumb
10. CD / BLUETOOTH SKIP PRETHODNI / TUNE - Gumb
11. CD / BLUETOOTH SKIP SLJEDEĆE / TUNE + Gumb

12. VOLUME CONTROL KNOB 13.LCD DISPLAY
14. CD VRATA OTVORENA / ZATVORENA TIPKA 15.CD VRATA 16.FM ANTENA
17. PRIKLJUČAK ZA GLAVU
20. DC-ADAPTER 21 BATTERY COMPARTMENT VRATA

DALJINSKI UPRAVLJAČ:

1. ULAZNA / ISKLJUČENA SNAGA NAPONA 2.DISCNO TRAJNO PRETRAŽIVO Gumb
3. PROG . Gumb 4. CD / USB TRACK DOWN ILI TIME DOWN Gumb, TUNER DOWN Gumb.
5. GUMBA EKVALIZATORA 6.REPEAT Gumb 7.X-BASS Gumb 8.TRACK DOWN Gumb
9. CD / BLUETOOTH PLAY / PAUSE / RADIO AUTO PRETRAŽI Gumb
10. CD / BLUETOOTH SKIP PRETHODNI / TUNE - Gumb
11. CD / BLUETOOTH SKIP SLJEDEĆE / TUNE + Gumb
- 12.CLOCK SET 13.LCD DISPLAY 14.CD VRATA OTVORENA / ZATVORENA
15. CD VRATA 16.FM ANTENA 17. slušalice
18. DESNI ZVUČNIK ZA ZVUČNIK 19.LEFT ZVUČNIK ZVUČNIKA
20. VRATA RANDOM I INTRO KLJUČA VRATA ZA KOMPANIJU BATERIJA 21.BATTERY
22. BT PLAY / PAUSE Gumb 23.VOLUM UPOW DOWN Gumb
24. CD PLAY / PAUSE Gumb 25.CD STOP BUTTON

POVEZAVE SUSTAVA

Prije uspostavljanja veze, isključite mrežni kabel iz zidne utičnice.

Izmenična strujna veza

Uključite mrežni kabel u dostupnu utičnicu od 230 V ~ 50Hz. Provjerite je li utikač pravilno umetnut u zidnu utičnicu.

Ugradnja baterija za izradu sigurnosnih kopija baterije

1. Uklonite vrata odjeljka za baterije koja se nalaze na dnu glavne jedinice.
2. Slijedite oznake polariteta unutar odjeljka za baterije i umetnite 2 x AAA baterije (nisu uključene) u dva utora za baterije koja se nalaze u odjeljku za baterije.
3. Vratite vrata baterije.

BILJEŠKE:

- Prilikom zamjene rezervnih baterija, ne isključujte mrežni kabel iz zidne utičnice. Ako to učinite, izbrisat će se sve trenutačne datumske postavke i postavke alarma.
- U slučaju da uređaj ostane bez napajanja dulje vrijeme, izvadite baterije kako biste izbjegli oštećenja koja mogu nastati ako baterije iscuru i prouzrokuju koroziju.

Daljinski upravljač

Daljinski upravljač radi na jednoj CR2025 3V litij bateriji (uključenoj na daljinskom upravljaču). Da biste aktivirali daljinski upravljač, uklonite izolacijski jezičak umetnut u odjeljak za baterije.

Ako daljinski rad postane isprekidan ili nezadovoljavajući, zamijenite originalnu bateriju novom litijumskom baterijom CR2025 3V.

1. Pritisnite poklopac pretinca, izvadite držač baterije iz kućišta daljinskog upravljača.

2. Zamijenite bateriju pazеći da je baterija pravilno postavljena. Daljinski upravljač neće raditi ako je baterija instalirana s pogrešnom polarnošću.

OPREZ:

- 1.) Opasnost od eksplozije ako je baterija neispravno zamijenjena.
- 2.) Zamijenite samo baterije istog ili jednakog tipa.
- 3.) Umetnite držač baterije natrag u utor za bateriju.

Uključivanje / isključivanje jedinice

1. U načinu isključivanja (u stanju pripravnosti) dodirnite tipku POWER / STANDBY (A1, B1) na glavnoj jedinici ili daljinskom upravljaču da biste uključili jedinicu. Uređaj će se uključiti, na LCD zaslonu će se prikazati zadnja odabrana ikona načina unosa.

2. Da biste isključili jedinicu (stanje pripravnosti), ponovo pritisnite tipku za uključivanje / uključenje (A1, B1) na glavnoj jedinici ili daljinskom upravljaču. LCD DISPLAY će se prigušiti i prikazivati trenutno vrijeme. Indikator stanja pripravnosti svijetli.

Postavljanje sata

Nakon priključivanja izmjeničnog napajanja, pojavit će se "00:00" i početi treptati na LCD zaslonu.

1. U načinu isključivanja (pripravnosti) pritisnite i držite tipku CLOCK SET (B13) na daljinskom upravljaču ili glavnoj jedinici, na zaslonu će se prikazati format 24HUR "24H".
2. Taknite prethodni / sljedeći gumb (B4, B18) na daljinskom upravljaču ili glavnoj jedinici za odabir formata 24 sata ako je potrebno. U suprotnom, pritisnite tipku CLOCK SET (B12) za potvrdu 12 sata sata i uđite u način podešavanja sata, brojke sata će bljeskati.
3. Dodirnite gumb Prethodno / Sljedeće (B4, B18) na daljinskom upravljaču ili glavnoj jedinici za podešavanje sata. Pritisnite i držite tipku za brzo podešavanje unaprijed / unazad.

Napomena: Provjerite je li sat postavljen tako da se pokazivač PM ispravno prikazuje.

4. Pritisnite tipku CLOCK SET (B12) na daljinskom upravljaču za potvrdu podešenja sata, a brojke minuta će bljeskati da biste zatražili unos.

5. Dodirnite gumb Prethodno / Sljedeće (B4, B18) na daljinskom upravljaču ili glavnoj jedinici za podešavanje minuta. Pritisnite i držite tipku za brzo podešavanje unaprijed / unazad.

6. Ponovno pritisnite tipku CLOCK SET (B12) na daljinskom upravljaču da biste dovršili postavku.

NAPOMENA: Unaprijed postavljene postavke sata i radio stanica morat će se resetirati ako je struja prekinuta ili u slučaju prekida

napajanja. Na LCD zaslonu će se prikazati "00:00" i obavijestiti vas da je napajanje bilo prekinuto, a sat će trebati resetirati. Sljedite gore navedene korake 1-6 da biste resetirali sat.

PROVJERA ČASA

Uređaj će prikazati trenutno vrijeme u stanju čekanja. Za provjeru trenutnog vremena u načinu napajanja, pritisnite i zadržite tipku CLOCK SET (B12) na glavnoj jedinici ili daljinskom upravljaču 3 sekunde, trenutno vrijeme prikazuje se 5 sekundi, a zatim se vratite na prethodni zaslon.

RAD ALARME (SAMO DALJINSKI UPRAVLJAČ)

POSTAVLJANJE ALARMNOG SATIKA

Ova funkcija omogućuje sustavu da se automatski uključi i probudi vas koristeći zvučni signal, CD, USB ili BU RADIO.

1. Pritisnite i držite tipku TIMER (B13) na daljinskom upravljaču dok se na zaslonu ne prikaže "On", a brojke sata bljeskaju.
2. Pritisnite tipke za prethodni / sljedeći gumb (B4, B18) za podešavanje znamenki sata, a zatim pritisnite gumb TIMER za potvrdu. Brojke će treptati na zaslonu.
3. Pritisnite tipke za prethodni / sljedeći gumb (B4, B18) za podešavanje minuta, a zatim pritisnite tipku TIMER (B13) za potvrdu.
4. Kada je postavljen prethodni / sljedeći gumb (B4, B18) na vremenskom satu, na zaslonu će se prikazati "OFF", a brojke sata će bljeskati.
5. Pritisnite tipke za prethodni / sljedeći gumb (B4, B18) za podešavanje znamenki sata, a zatim pritisnite gumb TIMER (B13) za potvrdu. Brojke će treptati na zaslonu.
6. Pritisnite tipke za prethodni / sljedeći gumb (B4, B18) na daljinskom upravljaču za podešavanje znamenki minuta, a zatim pritisnite gumb TIMER za potvrdu.
7. Pritisnite tipke za odabir načina CD, USB, BT ili FM, a zatim pritisnite gumb TIMER (B13) za potvrdu. Na zaslonu će se prikazati "VOL #" i bljeskati.
8. Pritisnite tipke Prethodni / Sljedeći gumb (B4, B18) za podešavanje glasnoće, a zatim pritisnite gumb TIMER za potvrdu.
8. Pritisnite tipku TIMER (B13) da biste odabrali "Uključen tajmer", a Timer je sada set.
9. U stanju čekanja na zaslonu će se prikazati ikona Timer koja označava da je Timer uključen.

BILJEŠKA:

- 1.) Ako je odabrano "Wake to CD, USB", ali CD nije umetnut, alarm će se automatski postaviti na Beeping Alarm kad dosegne vrijeme buđenja alarma.
- 2.) Za "Wake to Radio" sustav će zadati zadnju preslušanu FM radio stanicu prije isključivanja.
- 3.) Alarm crescendo će se povećati na postavljenu glasnoću.

AKTIVNO / DE-AKTIVNO FUNKCIJA ALARMA

1. Da biste aktivirali ALARM, dodirnite gumb TIMER (B13) jednom, a ikona alarma pojaviti će se na LCD zaslonu.
2. Isključite funkciju ALARM pritiskom na tipku TIMER (B13) ponovo. Ikona alarma će se ugasiti.

Probudite se za radio, CD, USB ili BUZZER Alarm

- Kada se dostigne vrijeme alarma, CD, USB ili radio beeping alarm će se za 60 minuta, a zatim isključiti i resetirati za sljedeći dan (bez pritiska na tipku odgode).
- Za zaustavljanje alarma odmah nakon što se oglasi, jednom pritisnite tipku POWER / STANDBY (A1, B1) na daljinskom upravljaču ili glavnoj jedinici. To se resetira za sljedeći dan.
- Za otkazivanje alarma sljedećeg dana, dodirnite tipku TIMER (B13) jednom, ikona ALARM se isključuje.

RADIO RAD

1. Taknite tipku POWER / STANDBY (A1, B1) na glavnoj jedinici ili daljinskom upravljaču da biste uključili jedinicu.
2. Dodirnite tipku IZVOR (A1, B11) na glavnoj jedinici ili daljinskom upravljaču za odabir načina rada FM, na radiju se pojavljuje frekvencija FM-a.
3. Za ručno podešavanje određene radio stanice dodirnite Track Down, Track up (A10, A11, B8, B18) na bilo kojoj glavnoj jedinici ili daljinskom upravljaču više puta. Upotrijebite metodu ručne prilagodbe za podešavanje slabijih postaja koje se zaobilaze za vrijeme automatskog podešavanja.
4. Da biste se automatski prilagodili sljedećoj dostupnoj radio stanici, pritisnite i držite tipku za praćenje (A10, A11, B8, B18) na glavnoj jedinici ili daljinskom upravljaču 1-2 sekunde dok se očitavanje frekvencije na zaslonu ne počne skenirati, a zatim otpustite gumb. Prilagoditelj će zaustaviti skeniranje kad primi sljedeću radio postaju odgovarajuće jačine signala.
5. Pritisnite regulator glasnoće na glavnoj jedinici ili daljinskom upravljaču za podešavanje glasnoće na željenu razinu glasnoće.

FM / FM stereo prijem

Kada slušate FM radio, pritisnite tipku ST./ MONO (B16) na daljinskom upravljaču za prebacivanje između stereo načina i mono načina. FM stereo ikona "ST" pojaviti će se na zaslonu ako je jedinica u stereo načinu. Poželjno je da primite program mono kada primete slabu postaju.

SAVJETI ZA NAJBOLJI PRIJEM:

FM - Za najbolji prijem FM-a, FM vodiča antena nalazi se na stražnjoj strani uređaja treba u potpunosti odmotati i produžiti.

NAPOMENA: Automatsko podešavanje ovisi o jačini signala radiodifuzne stanice, tako da slabije stanice mogu biti preskočene. Možete ručno prilagoditi pronalaženje slabih postaja ako ih preskoči. S jakim signalima, tuner se može zaustaviti prije nego što dosegne stvarnu frekvenciju emisije, tako da ćete možda trebati ručno podešavanje za najbolji prijem.

PRESET RADIO STANICE

1. Pritisnite tipku **POWER / STANDBY** (A1, B1) na glavnoj jedinici ili daljinskom upravljaču za uključenje jedinice.
2. Taknite tipku **IZVOR** (A1, B11) na glavnoj jedinici ili daljinskom upravljaču za odabir načina rada FM radija.
3. Pritisnite i držite dodirnite gumb **Traženje dolje**, **Praćenje** (A10, A11, B8, B18) na glavnoj jedinici ili daljinskom upravljaču dok se očitavanje frekvencije na zaslonu ne počne skenirati, a zatim otpustite gumb za automatsko pretraživanje i programiranje unaprijed postavljenih kanala. Na zaslonu se trepće "PROG". Automatsko pretraživanje i program zaustavit će se na P01 nakon završetka skeniranja, na zaslonu se stalno prikazuje "PROG".
4. Napomena: Ako kanali pohranjeni tijekom automatskog pretraživanja i programiranja unaprijed nisu oni koji želite spremite, upotrijebite donju metodu za ručno spremanje radiopostaja.
5. Namjestite željenu radio stanicu bilo ručno ili automatski.
6. Dodirnite **PROG** . (B3) na daljinskom upravljaču, sljedeći dostupni memorijski broj i treperi **PROG** . (B3) ikona će se prikazati na LCD zaslonu. (Napomena: "P01" će se prikazati na zaslonu ako prvi put programirate unaprijed postavljeno)
7. Kucnite **PRE**. Gumb (B15, B19) na glavnoj jedinici ili daljinskom upravljaču za odabir unaprijed postavljenog broja kojem želite dodijeliti stanicu.
8. Kucnite **PROG** . (B3) Tipka za potvrdu postavke.
9. Ponovite gornje korake 4 - 8 da biste postavili do 30 FM postaja.

PRIJAVLJUJU PRESET POMENSKE KANALE

U radio modu prisjetite unaprijed podešene kanale pritiskom na **PRE**. Gumb (B15, B19) na daljinskom upravljaču više puta.

RAD CD-PLAYER-a

Bilješka:

1. Ovaj CD uređaj neće reproducirati samo komercijalne CD-ove, nego će i samostalno sastaviti CD-R / RW, MP3 diskove. Ne pokušavajte reproducirati CD-ROM, CDi, VCD, DVD ili računalne CD-ove.
2. MP3 je oblik kompresije. To je kratica koja označava MPEG Audio Layer 3. MP3 je vrsta audio koda koji se obrađuje značajnom kompresijom iz izvornog izvora zvuka uz vrlo mali gubitak u kvaliteti zvuka.
- Ovaj sustav podržava MPEG 1 Layer 3 i VBR datoteke.
- Tijekom reprodukcije VBR datoteke, brojač vremena na zaslonu može se razlikovati od stvarnog vremena reprodukcije.
- Brzina koju MP3 podržava je 32 ~ 320 kbps

MOLIMO PROČITAJTE TE VAŽNE INFORMACIJE:

CD mehanizmi koji se koriste na uređajima poput ovog dizajnirani su za čitanje svih komercijalnih CD-ova. Također će čitati samostalno sastavljene CD-R / CD-RW, MP3 diskove, ali početak stvarna reprodukcija možda do 10 sekundi. Ako se reprodukcija ne započne, to je vjerojatno zbog kvalitete CD-R / RW, MP3 diska i / ili kompatibilnosti softvera za kompilaciju CD-a. Proizvođač nije odgovoran za kvalitetu reprodukcije CD-R / RW, MP3 diskova.

Né liježite naljepnicu ili pečat na obje strane CD-R / RW, MP3 diska. To može uzrokovati kvar.

IGRANJE CD-a

1. Pritisnite tipku **POWER / STANDBY** (A1, B1) na glavnoj jedinici ili daljinskom upravljaču za uključenje jedinice.
2. Dodirnite tipku **IZVOR** (A1, B11) na daljinskom upravljaču ili glavnoj jedinici za odabir moda CD-a, a zatim pritisnite **Otvorite pretinac** za disk.
3. Postavite audio CD na središnje vreteno s naljepnicom okrenutom prema ulazu CD DOOR. Zatvorite pretinac za disk.
4. Jedinica počinje čitati disk, a na displeju se prikazuje "----". Nakon nekoliko sekundi, na ukupnom broju zapisa prikazuje se jedna sekunda, a tada će ukupno vrijeme CD-a biti prikazano na LCD displeju.
5. Pritisnite tipku **PLAY / PAUSE** (A9, B22) na glavnoj jedinici ili daljinskom upravljaču, na zaslonu se pojavi indikator **PLAY**, CD će započeti reprodukciju s prvog zapisa.
6. Pritisnite kontrolu glasnoće **Podesite glasnoću**. na glavnoj jedinici ili daljinskom upravljaču za podešavanje na željenu razinu glasnoće.
7. Za zaustavljanje reprodukcije pritisnite tipku **PLAY / PAUSE** (A9, B22) na glavnoj jedinici ili daljinskom upravljaču. Vrijeme zapisa pauzirat će se i na zaslonu će se prikazati indikator **PAUSE**. Za nastavak reprodukcije, ponovo pritisnite tipku **CD PLAY / PAUSE** (A9, B22).
8. Možete odabrati reprodukciju svoje omiljene pjesme izravno pritiskom na **Track Down**, **Track up** (A10, A11, B8, B18). LCD zaslon će naznačiti odabrani ispravn broj zapisa.
9. Da biste pronašli određeni odjeljak unutar zapisa, pritisnite i držite **Trag down**, **Track up** (A10, A11, B8, B18) dok odjeljak ne bude pronađen. Otpustite gumb za nastavak reprodukcije odabira.
10. Za zaustavljanje reprodukcije pritisnite gumb **STOP** (A8, B25).

POSTUPAK PREDBAVE MP3 DISC-a

Za reprodukciju CD-R / RW, Mp3

1. Pritisnite tipku **SOURCE** (A1, B11) na daljinskom upravljaču i umetnite MP3 disk.
2. Pritisnite tipku **FOLDER** (B15, B19) za odabir željene mape za reprodukciju.

3. Odaberite tipku za reprodukciju pritiskom na tipku Track Down, Track up (A10, A11, B8, B18).
 4. Pritisnite PLAY / PAUSE (A9, B22). Reprodukcija će započeti i prikazat će se naziv datoteke.
- s U slučaju reprodukcije s uključenim načinom mape, pritisnite tipku FOLDER (B15, B19) i mapa se može odabrati iako je u načinu reprodukcije / pauze. Nastavit će se način reprodukcije / pauze u 1. zapisu odabrane mape.

ZA reprodukciju USB / MP3 playera sa mapom

1. Pritisnite tipku SOURCE (A1, B11) na daljinskom upravljaču ili tipku SOURCE (A1, B11) više puta na glavnoj jedinici za odabir USB funkcije. Spojite USB memorijski uređaj koji na uređaju ima datoteke MP3 formata. Kad se USB memorija spoji na glavnu jedinicu, prikazat će se informacije o uređaju.
2. Pritisnite tipku FOLDER (B15, B19) za odabir željene mape za reprodukciju. Da biste započeli reprodukciju s uključenim načinom mape, idite na korak.
3. Odaberite željenu datoteku za reprodukciju pritiskom na tipku Track Down, Track up (A10, A11, B8, B18).
4. Pritisnite PLAY / PAUSE (A9, B22). Reprodukcija će započeti i prikazat će se naziv datoteke.

BILJEŠKA:

- Ovaj proizvod nije kompatibilan s MTP i AAC datotečnim sustavima s USB uređaja za pohranu podataka ili MP3 playera.
- Ovaj uređaj podržava FAT16 i FAT32, ali neki USB memorijski medij možda ne podržavaju oba datotečna sustava. Pojedini potražite u priručniku za uporabu dotičnog USB uređaja za pohranu ili kontaktirajte proizvođača.

SKLOP I PRETRAŽIVANJE

1. Tijekom načina reprodukcije ili pauze dodirnite gumb Traženje dolje, Praćenje (A10, A11, B8, B18) za prijelaz na sljedeći zapis ili povratak na početak trenutne pjesme.
2. Tijekom reprodukcije pritisnite i držite Track Down, Track up (A10, A11, B8, B18) za pretraživanje unutar trenutne pjesme s zvučnom reprodukcijom velike brzine.

RAZLIČITI NAČINI IGRANJA (SAMO DALJE UPRAVLJANJE)

Pritisnite tipku REPEAT (B6) na daljinskom upravljaču za odabir različitih načina reprodukcije tijekom reprodukcije CD-a.

Tijekom reprodukcije CD-a, načini reprodukcije prikazani su u nastavku:

Ponoviti
Ponovite sve
normalan

REPEAT 1 - zapis koji se reproducira i ponavlja će se kontinuirano. Ponovite jednu ikonu "REPEAT 1" se prikazuje na zaslonu. Ponovite sve - svi se zapisi ponavljaju u kontinuitetu. Ponovite sve ikone "REPEAT ALL" prikazuje se na zaslonu.

RANDOM PLAY

Kad se tipka RANDOM (B20) pritisne tri, na LCD zaslonu će zasvijetliti indikator "RDM". Zapisi na disku mogu se automatski reproducirati nasumičnim redoslijedom.

Za otkazivanje nasumične reprodukcije:

Ponovno pritisnite tipku RANDOM (B20). Indikator "RDM" će nestati.

BILJEŠKA:

Ako tijekom nasumične reprodukcije pritisnete tipku, možete se kretati do odabranog zapisa nasumičnim postupkom. S druge strane, gumb vam ne dopušta prijelaz na prethodni zapis. Bit će smješten početak pjesme koja se reproducira.

Kod nasumične reprodukcije jedinica će automatski odabrati i reproducirati zapise. (Ne možete odabrati redoslijed pjesama.)

INTRO PLAYBACK

1. Pritisnite INTRO (B20) na daljinskom upravljaču. Na zaslonu će se prikazati indikator "INTRO (B20)". Jedinica će reproducirati prvih 10 sekundi svakog zapisa.
2. Ponovno pritisnite INTRO (B20) na daljinskom upravljaču za nastavak normalne reprodukcije.

PREDSTAVITE PROGRAMIRANJE Sljedećih zapisa

Ova funkcija omogućuje reprodukciju zapisa u programiranom slijedu. Korisnik može programirati do 32 zapisa u CD načinu ili 99 zapisa u MP3 formatu u bilo kojem

NAPOMENA: Program se može postaviti samo u načinu STOP.

1. Kucnite PROG . Gumb (B3) na daljinskom upravljaču, na programu se prikazuje broj programa "1", ikona " PROG " i broj CD-a "- -" koji također treperi na LCD zaslonu. (Napomena: "1 -" će biti na zaslonu ako programirate prvi put).
 2. Koristite Track Down, Track up (A10, A11, B8, B18) na glavnoj jedinici ili daljinskom upravljaču za odabir željenog zapisa. Broj zapisa bit će prikazan na zaslonu.
 3. Kucnite PROG . Gumb (B3) na glavnoj jedinici ili daljinskom upravljaču za pohranjivanje odabrane zapisa u memoriju, sljedeći programski broj pomaknut će jedan (tj. "2") na LCD zaslonu.
 4. Ponovite korake 2 do 3 da biste pohranili više zapisa u memoriju. Možete pohraniti na CD 32 zapis, MP3 99 zapise. Na zaslonu će se prikazati "FUL" nakon programiranja zapisa.
 5. Kucnite IGRI / PAUZU (A9, B22), na glavnoj jedinici ili daljinskom upravljaču za početak reprodukcije CD-a u programiranom slijedu.
 6. Pritisnite tipku REPEAT (B6) na daljinskom upravljaču za odabir Ponovi 1 / All ako je potrebno.
 7. Za zaustavljanje reprodukcije pritisnite gumb STOP (A8, B25) na glavnoj jedinici ili daljinskom upravljaču.
- Za otkazivanje reprodukcije programa dvaput pritisnite tipku STOP (A8, B25) na glavnoj jedinici ili daljinskom upravljaču, ikona " PROG " nestaje sa zaslona.

RAD BLUETOOTH-a

Pritisnite tipku POWER / STANDBY (A1, B1) da biste uključili jedinicu i slijedite dolje navedene upute za povezivanje putem Bluetooth-a. **PORUČIVANJE (povezivanje) BLUETOOTH UBOJENOG mobitela ILI OSTALI BLUETOOTH UDARAN UREĐAJ** na uređaj Ako CR 1173 nikad prije nije bio uparen s Bluetooth uređajem. Trebate slijediti dolje navedene upute za uparivanje da biste povezali uređaj s Bluetooth uređajem.

1. Pritisnite tipku POWER / STANDBY (A1, B1) na glavnoj jedinici ili daljinskom upravljaču za uključivanje jedinice.
2. Kucnite tipku IZVOR (A1, B11) na glavnom ili daljinskom upravljaču za odabir načina rada Bluetooth, na zaslonu će treptati poruka Bluetooth bt.
3. Ako CR 1173 nikada nije bio uparen s Bluetooth uređajem prije ili ne može pronaći zadnji upareni uređaj, treperi "bt" na LCD-u označava da je XXX u načinu pretraživanja. Trebate slijediti dolje navedene upute za uparivanje da biste povezali uređaj s Bluetooth uređajem.
- Uključite Bluetooth funkciju Bluetooth uređaja i omogućiti pretraživanje ili funkciju skeniranja pronaći CR 1173.
- Odaberite "CR 1173" s popisa uređaja kad se pojavi na zaslonu uređaja. Ako je potrebno, unesite šifru "0000" da biste uparili (povezali) CR 1173 sa svojim uređajem.
4. Nakon uspješnog uparivanja (povezivanja), zaslon će se promijeniti tako da stalno pokazuje "bt", a ikona Bluetooth također će se prikazati na zaslonu. Možete započeti reprodukciju glazbe s Bluetooth uređaja bežično na zvučnik.
5. Nakon odabira omiljene pjesme, pritisnite tipku PLAY PAUSE (B22, A9) na uređaju ili daljinskom upravljaču za reprodukciju ili pauziranje pjesme.
6. Pritisnite regulator glasnoće na glavnoj jedinici ili daljinskom upravljaču za podešavanje na željenu razinu glasnoće.
7. Pritisnite tipku Track Down, Track up (B8, B9) na glavnoj jedinici ili daljinskom upravljaču za preskakanje na prethodnu ili sljedeću pjesmu.
8. Ako želite upariti uređaj s drugim Bluetooth uređajem, pritisnite i držite tipku PAIR (B10) 3 sekunde ili isključite Bluetooth funkciju uređaja koji je trenutno uparen s uređajem, a zatim ponovite korak 3 gore.

Bilješke:

- 1.) Pogledajte upute za svoj mobilni telefon, tablet računalo, računalo ili druge Bluetooth uređaje za Bluetooth rad jer može varirati od modela do modela.
- 2.) Ako vaš uređaj koji podržava Bluetooth ne podržava A2DP profil, neće reproducirati glazbu kroz zvučnik, čak i ako je uparen (povezan).
- 3.) Ako uparujete (povezujete) svoje računalo s uređajem putem Bluetooth-a, možda ćete trebati postaviti zvučnik kao zadani zvučni uređaj vašeg računala.

POMOĆNI RAD ULAZA

Ovaj uređaj sadrži pomoćni ulazni priključak za audio signal za spajanje vanjskih audio uređaja poput MP3 playera, digitalnog audio uređaja i slušati ih putem zvučnika ovog uređaja.

1. Koristite audio kabl (nije uključen) sa jednim 3,5 mm stereo utikačem na svakom kraju kabla.
2. Uključite jedan kraj u AUX IN JACK (A5) na glavnoj jedinici, a drugi kraj kabla u Line-out ili priključak za slušalice vašeg vanjskog audio uređaja.
3. Uključite jedinicu i vanjski audio uređaj.
4. Dodirnite tipku IZVOR (A1, B11) na glavnom ili daljinskom upravljaču za odabir AUX moda, ikona "AUX" se uključuje, na zaslonu se prikazuje poruka "AUX".
5. Razina glasnoće sada se može kontrolirati putem glavne jedinice. Ostale funkcije na pomoćnom uređaju obavljajte kao i obično.

Bilješka:

· Ako povežete ovaj uređaj s Line-Out priključkom vanjskog uređaja, tada samo trebate podesiti kontrolu glasnoće ovog uređaja. Ako spojite utičnicu za slušalice na svom vanjskom uređaju, možda ćete trebati podesiti i kontrolu glasnoće vašeg vanjskog uređaja i ovog uređaja da biste dobili željenu postavku glasnoće.

PRESET EQ (SAMO DALJE UPRAVLJANJE)

Ovaj uređaj nudi 4 različita EQ načina za poboljšanje vašeg doživljaja slušanja. Možete odabrati željeni efekt pritiskom na tipku EQ (B5) na daljinskom upravljaču u sljedećim redoslijedima:

ROCK POP JAZZ CLASSIC OFF

Gumb za isključivanje (SAMO DALJE UPRAVLJANJE)

· Pritisnite tipku MUTE (B21) na daljinskom upravljaču da biste privremeno isključili izlaz zvuka iz zvučnika. Na zaslonu će se pojaviti "V 00".

· Ponovno pritisnite tipku MUTE (B21) ili VOLUME CONTROL (B23, A12) za nastavak normalne reprodukcije zvučnika.

SLEEP RADI (SAMO DALJINSKI UPRAVLJAČ)

Mjerač vremena mirovanja omogućava isključivanje jedinice nakon određenog vremena.

1. Da biste aktivirali mjerač mirovanja, uključite jedinicu i dodirnite tipku IZVOR (A1, B11) da biste odabrali FM radio, CD, USB, Bluetooth ili slušanje glazbe putem AUX IN-a.

2. Dodirnite tipku SLEEP (B14) na daljinskom upravljaču, na zaslonu se pojavi ikona vremena mirovanja "SLEEP".

3. Više puta dodirnite SLEEP tipku (B14) za odabir vremena spavanja. Uređaj će se isključiti nakon 10, 20, 30, 40, 50, 60, 70, 80 ili 90 minuta. Pričekajte 3 sekunde nakon odabira jedinice za potvrdu odabira, jedinica će reproducirati odabrano vrijeme, a zatim se automatski isključiti.

4. Da biste otkazali tajmer mirovanja, nekoliko puta taknite tipku SLEEP (B14) dok tajmer ne pokaže "OFF", ikona vremena mirovanja "SLEEP" nestane na zaslonu

5. Da biste isključili jedinicu prije odabranog vremenskog razdoblja, u bilo kojem trenutku pritisnite tipku POWER / STANDBY (A1, B1).

Bilješke:

- 1.) Da biste provjerili preostalo vrijeme mirovanja, jednom pritisnite tipku SLEEP (B14).
- 2.) Ako zaspete uz glazbu s vanjskog uređaja spojenog na AUX ulaz, mjerač mirovanja isključit će napajanje ovog sustava, ali neće isključiti vanjski uređaj.

KORIŠTENJE SLUŠALICA (NIJE UKLJUČENO)

Umetanje utikača slušalica u stereo slušalice (A17) omogućit će vam privatno slušanje CD-a ili radio glazbe. Kad koristite slušalice, ugrađeni zvučnici bit će isključeni.

PROČITAJTE OVOJ VAŽNE INFORMACIJE PRIJE UPOTREBE SVOJIH RADNICA

1. Izbjegavajte produženu igru pri vrlo visokoj glasnoći jer može oštetiti sluh.
2. Ako osjetite zvonjenje u ušima, smanjite glasnoću ili isključite jedinicu.
3. Održavajte glasnoću na prihvatljivoj razini, čak i ako su vaše slušalice otvorenog tipa dizajnirane tako da mogu čuti vanjske zvukove. Imajte na umu da prekomjerno velika jačina zvuka i dalje može blokirati vanjske zvukove.

resetovanje

Ako sustav ne reagira ili ima neispravan rad, možda ste doživjeli elektrostatičko pražnjenje (ESD) ili napon koji je pokrenuo automatsko isključivanje internog računala. Ako se to dogodi, odspojite mrežni kabel iz izvora napajanja, pričekajte 60 sekundi, a zatim ponovo uključite AC kabel u izvor napajanja. Jedinica će se resetirati, trebate postaviti sat, alarm i unaprijed postaviti radio stanice.

NJEGA I ODRŽAVANJE

1. Ne izlažite uređaj pretjeranim silama, udarcima, prašinom ili ekstremnim temperaturama (iznad 40 ° C).
2. Ne dirajte unutarnje dijelove jedinice.
3. Očistite uređaj suhom krpom. Otapalo ili deterdžent nikada se ne smiju koristiti.
4. Izbjegavajte ostavljanje uređaja na izravnom suncu ili na vrućim, vlažnim ili praljavim mjestima.
5. Držite uređaj dalje od grijaćih uređaja i izvora električne buke poput fluorescentnih svjetiljki ili motora.
6. Ako se tijekom reprodukcije CD-a pojave ispadi ili prekidi u glazbi ili ako se CD uopće ne reproducira, njegova dna površina može zahtijevati čišćenje. Prije reprodukcije, obrišite disk s sredine prema van dobrom mekom krpom za čišćenje.

ČIŠĆENJE JEDINICE

- Kako biste spriječili opasnost od požara ili udara, prilikom čišćenja isključite uređaj iz napajanja.
- Obrada na jedinici može se očistiti krpom od prašine i nježiti kao ostali namještaj. Budite oprezni pri čišćenju i brisanju plastičnih dijelova.
- Ako kabinat postane prašnjav, obrišite ga mekom krpom za suhu prašinu. Ne koristite nikakav vosak ili lak za poliranje na omaru.
- Ako prednja ploča postane prljava ili zaprljana otiscima prstiju, očistite je mekom krpom blago navlaženom blagom otopinom sapuna i vode. Nikada ne koristite abrazivne krpe ili polirke jer to oštećuje završnu obradu uređaja.

OPREZ: Nikad ne dopustite da voda ili druge tekućine uđu u uređaj dok čistite

Tehnički podaci:

Zahtjevi napajanja:

Glavna jedinica: 230V ~ 50Hz

Daljinski: CR2025 3V

Odjeljak igrača za DISC

Sustav: Kompaktni disk i digitalni audio sustav Svojstva laserske diode

Trajanje emisije: kontinuirano

Laserski izlaz: Manje od 44,6 mW (ovaj izlaz je mjerenje vrijednosti na udaljenosti od 200 mm od objektivne površine leće na optičkom prijemnom bloku s otvorom 7 mm.)

Raspon frekvencija

Odjeljak FM tunera:

Opseg podešavanja: 87,5 MHz-108,0 MHz (korak 50 kHz)

Snaga zvučnika: 2x 5W

Max: 28W



Vodimo brigu o prirodnom okolišu. Kartonsku ambalažu molimo prenijeti na otpadni papir. Polietilen (PE) vreće bacati u kontejner za plastiku. Istražena oprema treba biti premještena na prikladno mjesto za pohranu, jer sadrže u uređaju opasne tvari mogu predstavljati opasnost za okoliš. Električni uređaj mora biti predat u takvom stanju da se smanji mogućnost njegove ponovne upotrebe. Ako vaš uređaj ima baterije, treba njih ukloniti i predati na mjesto za pohranu odvojeno.

(F) SUOMI

TURVALLISUUSOLOSUHTEET TÄRKEITÄ KÄYTTÖOHJEITA KÄYTTÖOHJEET LUE HUOLELLISESTI JA SÄILYTTÄMISEKSI TULEVAISUUDESTA.

Takuehdot ovat erilaiset, jos laitetta käytetään kaupalliseen tarkoitukseen.

1. Lue ennen tuotteen käyttöä huolellisesti ja noudata aina seuraavia ohjeita. Valmistaja ei ole vastuussa vahingoista, jotka johtuvat väärinkäytöstä.
2. Tuotetta saa käyttää vain sisätiloissa. Älä käytä tuotetta mihinkään tarkoitukseen, joka ei ole yhteensopiva sen kanssa.
3. Sovellettava jännite on 230 V, ~ 50 Hz. Turvallisuussyistä ei ole tarkoituksenmukaista kytkeä useita laitteita yhteen pistorasiiaan.
4. Ole varovainen, kun käytät lapsia. Älä anna lasten leikkiä tuotteen kanssa. Älä anna lasten tai henkilöiden, jotka eivät tunne laitetta, käyttää sitä ilman valvontaa.

5. VAROITUS: Tätä laitetta voivat käyttää yli 8-vuotiaat lapset ja henkilöt, joilla on heikentynyt fyysinen, aistillinen tai henkinen kyky, tai henkilöt, joilla ei ole kokemusta tai tietoa laitteesta, vain heidän turvallisuudestaan vastaavan henkilön valvonnassa, tai jos heille annettiin ohjeita laitteen turvallisesta käytöstä ja ovat tietoisia sen käyttöön liittyvistä vaaroista. Lapset eivät saa leikkiä laitteen kanssa. Lapset eivät saa puhdistaa ja huoltaa laitetta, elleivät ne ole yli 8-vuotiaita, ja nämä toimet toteutetaan valvonnan alaisina.
6. Kun olet lopettanut tuotteen käytön, muista aina irrottaa pistoke varovasti pistorasiasta, jossa pistorasia on kädellä. Älä koskaan vedä virtajohtoa !!!
7. Älä koskaan aseta virtajohtoa, pistoketta tai koko laitetta veteen. Älä koskaan altista tuotetta ilmakehän olosuhteille, kuten suoralle auringonvalolle tai sateelle, jne. Älä koskaan käytä tuotetta kosteissa olosuhteissa.
8. Tarkista säännöllisesti virtajohdon kunto. Jos virtajohto on vaurioitunut, tuote tulee vaihtaa ammattikäyttöön, jotta se voidaan vaihtaa vaarallisten tilanteiden välttämiseksi.
9. Älä koskaan käytä tuotetta vaurioituneella virtakaapelilla tai jos se on pudonnut tai vahingoittunut muulla tavalla tai jos se ei toimi kunnolla. Älä yritä korjata viallista tuotetta itse, koska se voi aiheuttaa sähköiskun. Käännä vaurioitunut laite aina ammattikäyttöön, jotta se voidaan korjata. Kaikki korjaukset voivat tehdä vain valtuutetut huoltoalan ammattilaiset. Väärin tehty korjaus voi aiheuttaa käyttäjälle vaarallisia tilanteita.
10. Älä koskaan laita tuotetta kuumiin tai lämpimiin pintoihin tai keittiökoneisiin, kuten uuniin tai kaasupolttimeen.
11. Älä koskaan käytä tuotetta lähellä palavia aineita.
12. Älä anna kaapelin roikkua laskurin reunan yli tai kosketa kuumia pintoja.
13. Älä koskaan jätä laitetta virtalähteeseen ilman valvontaa. Vaikka käyttö keskeytetään lyhyeksi ajaksi, katkaise se verkosta, irrota virtajohto.
14. Lisää suojausta varten on suositeltavaa asentaa virtapiiriin jäännösvirtauslaite (RCD), jonka jäännösvirta on enintään 30 mA. Ota yhteyttä ammattilaiseen sähköasentajaan tässä asiassa.
15. Vältä radion kastumista.
16. Radio voidaan pyyhkiä vain kuivalla liinalla. Älä käytä vettä tai puhdistusnesteitä.
17. Radio on säilytettävä kuivassa huoneessa.

LAITE:

1. VIRRAN PYSÄYTYS / POIS PYSYVYYSVALMISTAJA 2. LÄHDE 3. AIKA-ASETUS / MUISTIPALLIN
4. TUNER CHANNEL - 5. AUX IN 6. USB 7. TUNER CHANNEL +
8. CD-STOP-PAINIKE / BLUETOOTH PAIR-PAINIKE
9. CD / BLUETOOTH PLAY / PAUSE / RADIO AUTO SEARCH PAINIKE
10. CD / BLUETOOTH SKIP EDELLINEN / TUNE - PAINIKE
11. CD / BLUETOOTH SKIP NEXT / TUNE + PAINIKE
12. Äänenvoimakkuuden hallintalaite 13. LCD-NÄYTTÖ
14. CD-OVEN AVAIN / SULJE PAINIKE 15. CD-OVEN 16. FM ANTENNA
17. KUULOKKEEN TAKA 18. OIKEA KAIUTTIMEN LIITTIMET 19. LEFT SPEAKER CONNECT
20. DC-VIRTASOVITIN 21. AKKUPAKKO-OVI

KAUKOSÄÄDIN:

1. VIRTA PÄÄLLÄ / POIS PYSÄYTYSVALMISTE 2. DISC-SUORA HAKU-PAINIKE
3. PROG. PAINIKE 4. CD / USB-TRACK DOWN- TAI TIME DOWN-PAINIKE, TUNER DOWN-painike.
5. Tasapainotuspainike 6. toistopainike 7. x-bassopainike 8. track alapainike
9. CD / BLUETOOTH PLAY / PAUSE / RADIO AUTO SEARCH PAINIKE
10. CD / BLUETOOTH SKIP EDELLINEN / TUNE - PAINIKE
11. CD / BLUETOOTH SKIP NEXT / TUNE + PAINIKE
12. CLOCK SET 13. LCD-NÄYTTÖ 14. CD OVEN AVAIN / SULJE PAINIKE
15. CD OVI 16. FM ANTENNA 17. KUULOKELIITÄNTÄ
18. OIKEA KAIUTTIMEN LIITIN 19. VASEN KAIUTTIMEN LIITIN
20. RANDOM-PAINIKE JA INTRO-PAINIKE 21. AKKAKORTTI
22. BT PLAY / PAUSE PAINIKE 23. PELAA YLÖS ALASTA
24. CD-PLAY / PAUSE Button 25. CD STOP Button

JÄRJESTELMÄN YHTEYDET

Varmista, että virtajohto on irrotettu pistorasiasta ennen minkään liitännän tekemistä.

AC-virtaliitäntä

Kytke virtajohto käytettävissä olevaan 230 V ~ 50 Hz: n pistorasiaan. Varmista, että pistoke on kunnolla kiinni pistorasiassa.

Paristojen asentaminen akkuvarmuutta varten

1. Poista paristokotelon kansi, joka sijaitsee pääyksikön pohjassa.
2. Seuraa paristokotelon napaisuusmerkkejä ja aseta 2 x AAA-paristoa (ei mukana) paristokotelon kahdessa paristokotelossa.
3. Asenna paristokotelon kansi.

HUOM:

- Kun vaihdat varaparistoja, älä irrota virtajohtoa pistorasiasta. Jos teet niin, kaikki nykyiset päivämäärä- ja hälytysasetukset poistetaan.
- Jos yksikkö jätetään pistorasiaan pitkäksi ajaksi, poista paristot, jotta vältetään vauriot, joita voi syntyä, jos paristot vuotavat ja aiheuttavat korroosiota.

Kaukosäädin

Kaukosäädin toimii yhdellä CR2025 3V litiumparistolla (kaukosäätimen mukana). Voit aktivoida kaukosäätimen poistamalla paristolokeroon asetetun eristimen kielekkeen.

Jos etätoiminnasta tulee ajoittaisia tai epätydyttäviä, vaihda alkuperäinen akku uuteen CR2025 3V litiumparistoon.

1. Paina lokeron kansi alas ja liu'uta paristokotelo kaukosäätimen kotelosta.
2. Aseta akku ja varmista, että akku on asennettu oikein. Kaukosäädin ei toimi, jos akku on asennettu väärään napaisuuteen.

VAROITUS:

- 1.) Räjähdysvaara, jos paristo vaihdetaan väärin.
- 2.) Vaihda vain saman tyyppiisiin tai vastaaviin akkuihin.
- 3.) Aseta paristolateline takaisin akkupaikkaan.

LAITTEEN KYTKEMINEN PÄÄLLE / POIS

1. Napauta pois päältä (valmiustilassa) päälaitteen tai kaukosäätimen POWER / STANDBY-painiketta (A1, B1) kytkeäksesi laitteen päälle. Laite käynnistyy, viimeksi valittu syöttötavan kuvake näkyy nestekidenäytössä.
2. Kytke laite pois päältä (valmiustila) napauttamalla päälaitteen tai kaukosäätimen virtapainiketta (STANDBY) virtapainiketta (A1, B1) uudelleen. LCD DISPLAY himmenee ja näyttää nykyisen ajan. Valmiustilan merkkivalo syttyy.

KELLON ASETTAMINEN

Kun verkkovirta on kytketty, "00:00" ilmestyy ja alkaa vilkkua nestekidenäytössä.

1. Pidä kaukosäätimen tai päälaitteen CLOCK SET -painiketta (B13) virrankatkaisutilassa (valmiustilassa) ja pidä sitä painettuna, näytöllä näkyy 24 HOUR -muoto "24H".

2. Napauta kauko-ohjaimen tai pääyksikön Edellinen / Seuraava-painiketta (B4, B18) ja valitse tarvittaessa 24 tunnin muoto. Muussa tapauksessa paina CLOCK SET (B12) -painiketta 12 tunnin kellomuodon vahvistamiseksi ja siirry kellon asetustilaan. Tunninumerot vilkkuvat.

3. Napauta kauko-ohjaimen tai pääyksikön Edellinen / Seuraava-painiketta (B4, B18) säätääksesi tuntia. Pidä -painiketta painettuna, kun haluat siirtyä nopeasti eteen- / taaksepäin.

Huomaa: Varmista, että tunti on asetettu siten, että PM-ilmaisnäyttö näkyy oikein.

4. Vahvista tunnin asetus painamalla kaukosäätimen CLOCK SET (B12) -painiketta. Minuutinumerot vilkkuvat, kun kysytään syöttämistä.

5. Napauta kauko-ohjaimen tai pääyksikön Edellinen / Seuraava-painiketta (B4, B18) säätääksesi minuutteja. Pidä -painiketta painettuna, kun haluat siirtyä nopeasti eteen- / taaksepäin.

6. Suorita asetus loppuun painamalla kaukosäätimen CLOCK SET (B12) -painiketta uudelleen.

HUOMAUTUS: Kellon ja radioaseman esiasetukset on nollattava, jos virta katkaistaan tai jos sähkökatkos tapahtuu. "00:00" ilmestyy ja alkaa vilkkua nestekidenäytössä ilmoittaaksesi, että virta katkesi ja kello on asetettava uudelleen. Noudata yllä olevia vaiheita 1-6 nollataksesi kellon.

KELLON TARKASTUS

Laite näyttää nykyisen ajan valmiustilassa. Voit tarkistaa nykyisen ajan Power ON -tilassa pitämällä päälaitteen tai kaukosäätimen CLOCK SET (B12) -painiketta painettuna 3 sekunnin ajan. Nykyinen aika näkyy viiden sekunnin ajan ja palaa sitten edelliseen näyttöön.

HÄLYTYSTOIMINTA (VAIN KAUKOSÄÄTÖ)

HÄLYTYSKELLON ASETTAMINEN

Tämän toiminnon avulla järjestelmä voi käynnistyä automaattisesti ja herättää sinut äänimerkillä, CD: llä, USB: llä tai BU RADIO: lla.

1. Pidä kaukosäätimen TIMER (B13) -painiketta painettuna, kunnes näytössä näkyy "Päällä" ja tuntinumerot vilkkuvat.

2. Säädä tuntinumeroita painamalla Edellinen / Seuraava-painiketta (B4, B18) ja vahvista sitten TIMER-painike. Minuutin numerot vilkkuvat näytössä.

3. Säädä minuuttinumeroita painamalla Edellinen / Seuraava-painiketta (B4, B18) ja vahvista sitten painamalla TIMER (B13) -painiketta.

4. Kun Edellinen / Seuraava-painike (B4, B18) Ajastimen kello on asetettu, näytössä näkyy "POIS" ja tuntilukemat vilkkuvat.

5. Säädä tuntinumeroita painamalla Edellinen / Seuraava-painiketta (B4, B18) ja vahvista sitten painamalla TIMER (B13) -painiketta.

Minuutin numerot vilkkuvat näytössä.

6. Säädä minuuttinumerot painamalla kaukosäätimen Edellinen / Seuraava-painiketta (B4, B18) ja vahvista sitten painamalla TIMER-painiketta.

7. Valitse painikkeilla CD-, USB-, BT- tai FM-tila ja vahvista sitten TIMER (B13) -painike. Näytössä näkyy "VOL #" ja vilkkuu.

Säädä äänenvoimakkuus painamalla Edellinen / Seuraava-painiketta (B4, B18) ja vahvista sitten TIMER-painike.

8. Paina TIMER (B13) -painiketta valitaksesi "Timer On", ja ajastin on nyt aseta.

9. Valmiustilassa ajastinkuvake näkyy näytössä osoittaen, että ajastin on päällä.

MERKINTÄ:

- 1.) Jos "Wake to CD, USB" on valittu, mutta CD-levyä ei ole asetettu, hälytyksen oletusarvo on Piippaushälytys automaattisesti, kun hälytyksen herätysaika saavutetaan.
- 2.) "Wake to Radio" -järjestelmässä järjestelmä käyttää oletusarvoisesti viimeksi kuunneltua FM-radioasemaa ennen virran katkaisua.
- 3.) Crescendo-hälytys nousee asettamasi äänenvoimakkuuden tasoon.

AKTIIVINEN / EI AKTIIVINEN HÄLYTYSTOIMINTO

1. Aktivoidaksesi HÄLYTYS, napauta TIMER (B13) -painiketta kerran, hälytyskuvake näkyy nestekidenäytössä.
2. Peruuta HÄLYTYS-toiminto napsauttamalla uudelleen AJASTIN (B13) -painiketta. Hälytyskuvake sammuu.

Herää radio-, CD-, USB- tai BUZZER-hälytykseen

· Kun hälytysaika saavutetaan, CD-, USB- tai radion äänimerkki kuuluu 60 minuutin ajan. Sammutetaan ja palautetaan seuraavalle päivälle (painamatta torkkupainiketta).

· Voit pysäyttää hälytyksen heti sen kuulostamisen jälkeen napauttamalla kaukosäätimen tai päälaitteen POWER / STANDBY-painiketta (A1, B1) kerran. Se nolautuu seuraavalle päivälle.

· Peruuaksesi seuraavan päivän hälytyksen, napauta TIMER (B13) PAINIKETTA kerran, HÄLYTYS-kuvake sammuu.

RADIOKÄYTTÖ

1. Napauta POWER / STANDBY-painiketta (A1, B1) pääyksikössä tai kaukosäätimessä kytkäksesi yksikön päälle.
2. Napauta päälaitteen tai kaukosäätimen SOURCE-painiketta (A1, B11) valitaksesi FM-tilan, FM-radiotaajuus tulee näyttöön.
3. Jos haluat virittää manuaalisesti tiettyyn radioasemaan, napauta toistuvasti joko jäljitä, seurata (A10, A11, B8, B18) joko pääyksikössä tai kaukosäätimessä. Käytä manuaalista viritysmenetelmää virittää heikommät asemat, jotka ohitetaan automaattisen virityksen aikana.
4. Jos haluat virittää automaattisesti seuraavaan käytettävissä olevaan radioasemaan, pidä päälaitteen tai kaukosäätimen Track Down -painiketta (A10, A11, B8, B18) painettuna 1-2 sekunnin ajan, kunnes näytön taajuuslukema alkaa skannata ja sitten vapauta painike. Viritin lopettaa skannauksen, kun se vastaanottaa seuraavan lähetysaseman, jolla on riittävä signaalin voimakkuus.
5. Paina pääyksikön tai kaukosäätimen äänenvoimakkuuden säädintä säätääksesi äänenvoimakkuuden säädin halutulle äänenvoimakkuudelle.

FM / FM-stereovastaanotto

Kun kuuntelet FM-radiota, paina kaukosäätimen ST/ MONO-painiketta (B16) vaihtaaksesi stereotilan ja monotilan välillä. FM-stereokuvake "ST" ilmestyy näytölle, jos laite on stereotilassa. On parempi vastaanottaa ohjelma yksivärisenä, kun vastaanotat heikon aseman.

PARHAAN VASTAANOTTAMISEN VIHJEITÄ:

FM - Parhaan FM-vastaanoton saamiseksi laitteen takana oleva FM-johtoantenni tulisi kääriä kokonaan ja laajentaa.

HUOMAUTUS: Automaattinen viritys riippuu lähetysaseman signaalin voimakkuudesta, joten heikot asemat voidaan ohittaa. Voit virittää manuaalisesti löytääksesi heikot asemat, jos asema ohitetaan. Vahvoilla signaaleilla viritin voi pysähtyä ennen kuin se saavuttaa todellisen lähetystaajuuden, joten saatat joutua virittämään manuaalisesti parhaan mahdollisen vastaanoton.

ESITTELY RADIOASEMAT

1. Kytke laite päälle painamalla POWER / STANDBY-painiketta (A1, B1) pääyksikössä tai kaukosäätimessä.
2. Napauta SOURCE-painiketta (A1, B11) pääyksikössä tai kaukosäätimessä valitaksesi FM-radiotilan.
3. Pidä painettuna napauta Seuraava, Seuraa (A10, A11, B8, B18) -painiketta pääyksikössä tai kaukosäätimessä, kunnes näytön taajuuslukema alkaa skannata, ja vapauta sitten automaattisen haun ja ohjelmoidun kanavan painike. Näyttöön tulee " PROG " ja vilkkuu. Automaattinen haku ja ohjelma pysähtyvät kohtaan P01 skannauksen päätyttyä, " PROG " näkyy näytössä tasaisesti. Huomaa: Jos automaattisen haun ja ohjelmoidun esiasetuksen aikana tallennetut kanavat eivät ole niitä, jotka haluat tallentaa, käytä alla olevaa menetelmää radioasetusten manuaaliseen tallentamiseen
4. Viritä haluttu radioasema joko "manuaalisesti" tai "automaattisesti" virittämällä.
5. Napauta PROG . (B3) kaukosäätimellä, seuraava käytettävissä oleva esiasetun muistin numero ja vilkkuva PROG . (B3) -kuvake näkyy nestekidenäytössä. (Huomaa: "P01" tulee näyttöön, jos ohjelmoit esiasetusta ensimmäistä kertaa)
6. Napauta PRE. Painike (B15, B19) pääyksikössä tai kaukosäätimessä valitaksesi esivirityksen numeron, jolle haluat määrittää aseman.
7. Napauta PROG . (B3) Painike asetuksen vahvistamiseksi.
8. Toista vaiheet 4 - 8, kun haluat asettaa enintään 30 FM-asemaa.

PRESET-MUISTIKANAVELIEN PALAUTTAMINEN

Radiotilassa, palauta esiasetetut kanavat painamalla PRE-painiketta. Painike (B15, B19) kaukosäätimessä toistuvasti.

CD-TOISTIMEN KÄYTTÖ

merkintä:

1. Tämä CD-soitin ei toista vain kaupallisia CD-levyjä, vaan myös itse koottuja CD-R / RW-, MP3-levyjä. Älä yritä toistaa CD-ROM-, CDI-, VCD-, DVD- tai tietokone-CD-levyjä.

2. MP3 on pakkauksen muoto. Se on lyhenne, joka tarkoittaa MPEG Audio Layer 3. MP3 on äänityyppi, jota prosessoidaan merkittävällä pakkauksella alkuperäisestä äänilähteestä äänenlaadun heikentyessä vain vähän.

- Tämä järjestelmä tukee MPEG 1 Layer 3- ja VBR- tiedostoja.
- VBR- tiedoston toiston aikana näytön aikalaskuri voi poiketa todellisesta toistoajasta.
- MP3: n tukema bittinopeus on 32 ~ 320 kbps

LUE TÄTÄ TÄRKEITÄ TIETOA:

Tällaisissa laitteissa käytetyt CD-mekanismit on suunniteltu lukemaan kaikki kaupalliset CD-levyt. Se lukee myös itse koottuja CD-R / CD-RW-, MP3-levyjä, mutta todellinen toisto voi alkaa 10 sekuntia. Jos toisto ei käynnisty, johtuu todennäköisesti CD-R / RW-levyn, MP3-levyn ja / tai CD-kokoelmaohjelmiston yhteensopivuudesta. Valmistaja ei ole vastuussa CD-R / RW-, MP3-levyjen toistolaadusta. Älä kiinnitä etikettiä tai sinettiä CD-R / RW, MP3-levyn kummallekin puolelle. Se voi aiheuttaa toimintahäiriön.

CD-levyn toisto

1. Kytke laite päälle painamalla POWER / STANDBY-painiketta (A1, B1) pääyksikössä tai kaukosäätimessä.
2. Napauta kauko-ohjaimen tai päälaitteen SOURCE-painiketta (A1, B11) valitaksesi CD-tilan ja paina sitten Avaa levykesä.
3. Aseta audio-CD keskikaraan etikettipuoli ulospäin kohti CD-OVAA. Sulje levykesä.
4. Yksikkö alkaa lukea levyä, "---" näkyy näytössä ja vilkkuu. Muutaman sekunnin kuluttua kappaleiden kokonaismäärä näyttää yhden sekunnin ja sitten CD-levyn kokonaisuus näkyy LCD-näytöllä.
5. Paina pääyksikön tai kaukosäätimen PLAY / PAUSE (A9, B22) -painiketta, PLAY-ilmaisain näkyy näytössä, CD-levy alkaa toistaa ensimmäisestä kappaleesta.
6. Paina äänenvoimakkuuden säädintä Säädä äänenvoimakkuus. päälaitteessa tai kaukosäätimessä säätääksesi halutulle äänenvoimakkuudelle.
7. Voit keskeyttää toiston painamalla PLAY / PAUSE (A9, B22) -painiketta pääyksikössä tai kaukosäätimessä. Raidan aika keskeytetään ja PAUSE-ilmaisain tulee näkyviin. Voit jatkaa toistoa painamalla uudelleen CD PLAY / PAUSE (A9, B22) -painiketta.
8. Voit halutessasi toistaa suosikkiraidan suoraan painamalla joko Track Down, Track up (A10, A11, B8, B18). LCD-näyttö näyttää oikean valitun raidan numeron.
9. Jos haluat etsiä tietyn osan raidasta, pidä painettuna Seuraa alas, Seuraa (A10, A11, B8, B18), kunnes osa löytyy. Vapauta painike jatkaaksesi valintasi toistamista.
10. Voit lopettaa toiston painamalla STOP (A8, B25) -painiketta.

MP3-LEVYN TOISTOIMENPITEET

CD-R / RW, MP3-levyjen toisto

1. Paina kaukosäätimen SOURCE-painiketta (A1, B11) ja lataa MP3-levy.
 2. Valitse haluamasi toistokansio painamalla FOLDER (B15, B19) -painiketta.
 3. Valitse toistettava tiedosto painamalla Track Down, Track up (A10, A11, B8, B18) -painiketta.
 4. Paina PLAY / PAUSE (A9, B22). Toisto alkaa ja tiedostonimi tulee näkyviin.
- s Jos toisto on kansiotilassa, paina FOLDER (B15, B19) -painiketta, jolloin kansio voidaan valita, vaikka se olisi toistotilassa / taukotilassa. Se jatkaa toisto- / taukotilaa valitun kansion ensimmäisessä kappaleessa.

USB / MP3-NÄYTTÖJEN TOISTAMINEN KANSSA

1. Valitse kauko-ohjaimen SOURCE-painike (A1, B11) tai päälaitteen SOURCE-painike (A1, B11) toistuvasti valitaksesi USB-toiminnon. Kytke USB-muisti, jonka yksikössä on MP3-tiedostot. Kun USB-muisti on kytketty pääyksikköön, laitetiedot näytetään.
2. Valitse haluamasi toistokansio painamalla FOLDER (B15, B19) -painiketta. Aloita toisto kansiotilan ollessa päällä siirtymällä vaiheeseen.
3. Valitse toistettava tiedosto painamalla Track Down, Track up (A10, A11, B8, B18) -painiketta.
4. Paina PLAY / PAUSE (A9, B22). Toisto alkaa ja tiedostonimi tulee näkyviin.

MERKINTÄ:

- Tämä tuote ei ole yhteensopiva USB-massamuistilaitteen tai MP3-soittimen MTP- ja AAC- tiedostojärjestelmien kanssa.
 - Tämä laite tukee FAT16 ja FAT32, mutta jotkut USB-tallennusvälineet eivät välttämättä tue molempia tiedostojärjestelmiä. Lisätietoja on kyseisen USB-tallennuslaitteen käyttöoppaassa tai ota yhteyttä valmistajaan.
- Ohitus- ja hakutoiminto

1. Napauta toisto- tai taukotilan aikana Track Down, Track up (A10, A11, B8, B18) -painiketta siirtyäksesi seuraavaan kappaleeseen tai palataksesi nykyisen kappaleen alkuun.
2. Pidä toiston aikana Track Down, Track up (A10, A11, B8, B18) -painiketta painettuna, kun haluat etsiä nykyisestä kappaleesta kuuluvalla nopealla toistolla.

ERITTELYT pelitilat (VAIN KAUKOSÄÄTÖ)

Paina kauko-ohjaimen REPEAT-painiketta (B6) toistuvasti valitaksesi eri toistotilat CD-levyä toistettaessa.

CD-levyä toistettaessa toistotilat esitetään seuraavasti:

Toistaa
Toista kaikki
normaali

REPEAT 1 - toistettava kappale toistuu jatkuvasti. Toista yksi kuvake "REPEAT 1" näkyy näytössä.
REPEAT ALL - kaikki raidat toistuvat jatkuvasti. Repeat All -kuvake "REPEAT ALL" näkyy näytössä.

RANDOM PLAY

Kun RANDOM (B20) -painiketta painetaan kolme kertaa, "RDM" -merkkivalo syttyy nestekidenäytössä. Levyn kappaleet voidaan toistaa automaattisesti satunnaisessa järjestyksessä.

Satunnaistoiston peruuttaminen:

Paina RANDOM (B20) -painiketta uudelleen. "RDM" -ilmaisain katoaa.

MERKINTÄ:

Jos painat painiketta satunnaistoiston aikana, voit siirtyä raidalle, jonka satunnaistoiminto valitsee seuraavaksi. Toisaalta painike ei anna sinun siirtyä edelliselle kappaleelle. Soitetun kappaleen alkupaikka löytyy.

Satunnaisessa toistossa yksikkö valitsee ja toistaa raidat automaattisesti. (Et voi valita kappaleiden järjestystä.)

INTRO TOISTO

1. Paina kaukosäätimen INTRO (B20) -painiketta. Näytössä näkyy "INTRO (B20)" -ilmaisain. Yksikkö soittaa kunkin kappaleen ensimmäiset 10 sekuntia.

2. Jatka normaalia toistoa painamalla kaukosäätimen INTRO (B20) -painiketta uudelleen.

PELAA JÄRJESTELMÄN OHJELMOINTI

Tämän toiminnon avulla raitoja voidaan toistaa ohjelmoidussa järjestyksessä. Käyttäjä voi ohjelmoida jopa 32 raitaa CD-tilassa tai 99 raitaa MP3-muodossa missä tahansa

HUOMAUTUS: Ohjelma voidaan asettaa vain STOP-tilassa.

1. Napauta PROG . Kaukosäätimen painike (B3), ohjelmanumero "1" näkyy näytössä, " PROG " -kuvake ja CD-kappaleen numero " - " vilkkuvat myös LCD-näytössä. (Huomaa: "1 -" tulee näyttöön, jos ohjelmoit ensimmäistä kertaa).

2. Käytä Jäljittä, Seuraa (A10, A11, B8, B18) pääyksikössä tai kaukosäätimessä valitaksesi haluamasi kappale. Kappaleen numero näkyy näytössä.

3. Napauta PROG . Painike (B3) pääyksikössä tai kaukosäätimessä valitun kappaleen tallentamiseksi muistiin, seuraava ohjelmanumero etenee yhden (eli "2") nestekidenäyttöön.

4. Toista vaiheet 2-3, jos haluat tallentaa lisää raitoja muistiin. Voit tallentaa jopa CD 32-, MP3 99 -raitoja. Näytössä näkyy "FUL", kun raidat on ohjelmoitu.

5. Napauta PLAY / PAUSE (A9, B22) päälaitteessa tai kaukosäätimessä CD-levyn toiston aloittamiseksi ohjelmoidussa järjestyksessä.

6. Paina REPEAT-painiketta (B6) kaukosäätimessä valitaksesi Toista 1 / Kaikki tarvittaessa.

7. Lopeta toista painamalla pääyksikön tai kaukosäätimen STOP-painiketta (A8, B25).

Ohjelmatoiston peruuttamiseksi paina pääosan tai kaukosäätimen STOP-painiketta (A8, B25) kahdesti, " PROG " -kuvake katoaa näytöstä.

BLUETOOTH-TOIMINTA

Kytke virta laitteeseen painamalla POWER / STANDBY-painiketta (A1, B1) ja muodosta yhteys Bluetoothin kautta noudattamalla alla olevia ohjeita.

BLUETOOTH-KÄYTETTÄVÄT matkapuhelimen TAI MUIDEN BLUETOOTH-KÄYTETTYJEN LAITTEIDEN KUVAMINEN

Jos CR 1173: ta ei ole koskaan muodostettu pariksi Bluetooth-laitteen kanssa. Sinun on noudatettava alla olevia pariliitosohjeita yhdistääksesi laite Bluetooth-laitteesi kanssa

1. Kytke laite päälle painamalla POWER / STANDBY-painiketta (A1, B1) pääyksikössä tai kaukosäätimessä.

2. Napauta SOURCE-painiketta (A1, B11) pää- tai kaukosäätimessä valitaksesi Bluetooth-tilan. Bluetooth " bt " -viesti tulee näkyviin ja vilkkuu.

3. Jos CR 1173: ta ei ole koskaan pariksi muodostettu pariksi Bluetooth-laitteen kanssa ennen tai et löydä viimeistä pariksi liitettyä laitetta, nestekidenäytön vilkkuva " bt " osoittaa, että XXX on haku tilassa. Sinun on noudatettava alla olevia pariliitosohjeita yhdistääksesi laite Bluetooth-laitteesi kanssa.

· Kytke Bluetooth-laitteen Bluetooth-toiminto päälle ja ota haku- tai skannaustoiminto käyttöön CR 1173: n löytämiseksi.

· Valitse "CR 1173" laiteluettelosta, kun se tulee näkyviin laitteen näytölle. Kirjoita tarvittaessa salasana "0000" CR 1173: n yhdistämiseksi (linkittämiseen) laitteesi kanssa.

4. Pariliitoksen onnistuneen yhdistämisen (linkittämisen) jälkeen näyttö muuttuu näytöksi " bt " tasaisesti, myös Bluetooth-kuvake tulee näkyviin. Voit aloittaa musiikin toistamisen Bluetooth-laitteesta langattomasti kaiuttimeen.

5. Kun olet valinnut suosikkikappaleesi, paina PLAY PAUSE (B22, A9) -painiketta yksikössä tai kaukosäätimessä toistaaksesi tai keskeyttääksesi kappaleen.

6. Paina päälaitteen tai kaukosäätimen äänenvoimakkuuden säädintä säätääksesi halutun äänenvoimakkuuden.

7. Siirry edelliseen tai seuraavaan kappaleeseen painamalla Seuraava, Seuraa (B8, B9) -painiketta pääyksikössä tai kaukosäätimessä.

8. Jos haluat yhdistää laitteen toiseen Bluetooth-yhteensopivaan laitteeseen, pidä PAIR (B10) -painiketta painettuna 3 sekunnin ajan tai kytke laitteesta pariiksi kytketyn laitteen Bluetooth-toiminto pois päältä ja toista vaihe 3 yllä.

Huomautuksia:

1.) Katso matkapuhelimesi, taulutietokoneesi, tietokoneesi tai muiden Bluetooth-yhteensopivien laitteiden käyttöohjeita Bluetooth-käytöstä, koska se voi vaihdella malleittain.

2.) Jos Bluetooth-yhteensopiva laite ei tue A2DP-profiilia, se ei toista musiikkia kaiuttimen kautta, vaikka se olisi muodostettu pariksi (linkitettyinä).

3.) Jos muodostat pariliitoksen (linkität) tietokoneesi laitteeseen Bluetoothin avulla, saatat joutua asettamaan kaiuttimen tietokoneen oletusäänentoistolaitteeksi.

LISÄTULON TOIMINTA

Tämä yksikkö sisältää lisääänisignaalioliitännän ulkoisten audiolaitteiden, kuten MP3-soittimen, digitaalisen äänentoistolaitteen, kytkemistä ja kuuntelemista varten tämän laitteen kaiuttimien kautta.

1. Käytä äänikaapelia (ei sisälly toimitukseen), jossa on yksi 3,5 mm: n stereoliitin johdon molemmissa päissä.

2. Kytke toinen pää pääyksikön AUX IN JACK (A5) -laitteeseen ja toinen kaapelin pää ulkoisen äänilaitteen Line-out-liitäntään tai kuulokeliitäntään.

3. Käynnistä yksikkö ja ulkoinen äänilaite.

4. Napauta SOURCE-painiketta (A1, B11) pää- tai kaukosäätimessä valitaksesi AUX-tilan, "AUX" -kuvake syttyy, näytössä näkyy "AUX" -viesti.

5. Äänenvoimakkuutta voidaan nyt hallita pääyksikön kautta. Käytä apulaitteen kaikkia muita toimintoja tavalliseen tapaan.

merkintä:

· Jos liität tämän laitteen ulkoisen laitteen Line-Out-liittimeen, sinun on vain säädeltävä tämän laitteen äänenvoimakkuuden säätöä. Jos liität ulkoisen laitteen kuulokeliittimen, joudut ehkä säätämään sekä ulkoisen laitteen että tämän laitteen äänenvoimakkuuden säätimiä halutun äänenvoimakkuusasetuksen saavuttamiseksi.

PRESET EQ (VAIN KAUKO-OHJAUS)

Tämä yksikkö tarjoaa 4 erilaista taajuuskorjaustilaa parantamaan kuuntelukokemustasi. Voit valita haluamasi tehosteen painamalla kaukosäätimen EQ-painiketta (B5) toistuvasti seuraavassa järjestyksessä:

ROCK POP JAZZ CLASSIC POPS

ÄLÄ PAINIKE (VAIN KAUKOSÄÄTÖ)

· Vaimenna kaiuttimen äänentoisto väliaikaisesti painamalla kaukosäätimen MUTE-painiketta (B21). Näyttöön tulee "V 00".

· Paina MUTE-painiketta (B21) uudelleen tai VOLUME CONTROL (B23, A12) jatkaaksesi normaalia kaiutintoistoa.

Nukkumistoiminnot (VAIN KAUKO-OHJAUS)

Uniajastimen avulla voit sammuttaa laitteen, kun määritetty aika on saavutettu.

1. Aktivoida uniajastin kytkemällä laite päälle ja napauttamalla SOURCE-painiketta (A1, B11) valitaksesi FM-radio, CD, USB, Bluetooth tai musiikin kuuntelu AUX IN: n kautta.
2. Napauta kaukosäätimen SLEEP-painiketta (B14) uniajastoskuvake "SLEEP" ilmestyy näytölle.
3. Napauta toistuvasti SLEEP-painiketta (B14) uniajastimen valitsemiseksi. Laite sammuu 10, 20, 30, 40, 50, 60, 70, 80 tai 90 minuutin kuluttua. Odota 3 sekuntia valintasi jälkeen, jotta yksikkö vahvistaa valinnan, laite soittaa valitun ajanjakson ja sammuu sitten automaattisesti.
4. Voit perua uniajastimen napauttamalla SLEEP-painiketta (B14) toistuvasti, kunnes ajastin näyttää "POIS", uniajastumakuvake "SLEEP" katoaa näytöstä
5. Kytke laite pois päältä ennen valittua ajanjaksoa painamalla POWER / STANDBY-painiketta (A1, B1) milloin tahansa.

Huomautuksia:

1.) Voit tarkistaa jäljellä olevan nukkumisajan napauttamalla kerran SLEEP-painiketta (B14).

2.) Jos nukaat musiikkia AUX-tuloon kytketystä ulkoisesta laitteesta, uniajastin katkaisee järjestelmän virran, mutta se ei sammua ulkoista laitetta.

KUULOKKEIDEN KÄYTTÖ (Ei sisälly)

Kun asetat kuulokkeiden pistoke stereokuulokeliitäntään (A17), voit kuunnella CD- tai radiomusiikkia yksityisesti. Kuulokkeita käytettäessä sisäänrakennetut kaiuttimet irrotetaan.

LUE TÄTÄ TÄRKEITÄ TIETOJA ENNEN KUULOKKEIDEN KÄYTTÖÄ

1. Vältä pitkittynyttä toistoa erittäin suurella äänenvoimakkuudella, koska se voi heikentää kuuloa.

2. Jos korvissa soi, vähennä äänenvoimakkuutta tai sammuta yksikkö.

3. Pidä äänenvoimakkuus kohtuullisella tasolla, vaikka kuulokkeesi olisi ulkoilmatyypin, joka on suunniteltu kuulemaan ulkopuolisia ääniä.

Huomaa, että liian suuri äänenvoimakkuus voi silti estää ulkopuoliset äänet.

NOLLAUS

Jos järjestelmä ei reagoi tai se toimii virheellisesti, saatat olla kokenut sähköstaattista purkausta (ESD) tai virtapiiriä, joka laukaisi sisäisen tietokoneen sammumaa automaattisesti. Jos näin käy, irrota virtajohto pistorasiasta, odota 60 sekuntia ja kytke sitten virtajohto uudelleen virtalähteeseen. Laite nollataan, sinun on asetettava kello, herätys ja esiviritetyt radiokanavat.

HOITO JA HUOLTO

1. Älä altista laitetta liialliselle voimalle, iskuille, pölylle tai ääriämpötiloille (yli 40 ° C).

2. Älä peukalo laitteen sisäisiä osia.

3. Puhdista yksikkö kuivalla liinalla. Liuotinta tai pesuainetta ei tule koskaan käyttää.

4. Älä jätä laitetta suoraan auringonvaloon tai kuumaan, kosteaan tai pölyiseen paikkaan.

5. Pidä yksikkö poissa lämmityslaitteista ja sähkömelun lähteistä, kuten loistelampuista tai moottoreista.

6. Jos musiikki katkeaa tai katkeaa CD-levyn toiston aikana tai jos CD ei soi ollenkaan, sen pohjapinta saattaa tarvita puhdistamista. Pyyhi levy ennen toistoa keskeltä ulospäin hyvällä pehmeällä puhdistusliinalla.

LAITTEEN PUHDISTUS

· Tulipalo- tai sähköiskuvaaran estämiseksi irrota yksikkö verkkolaitteesta puhdistaessasi.

· Laitteen viimeistely voidaan puhdistaa pölyliinalla ja hoitaa kuin muut huonekalut. Ole varovainen puhdistaessasi ja pyyhkimällä muoviosia.

· Jos kotelosta tulee pölyistä, pyyhi se pehmeällä, kuivalla pölyliinalla. Älä käytä vaha- tai kiillotussuihkuja kaapissa.

· Jos etupaneeli likaantuu tai tahrii sormenjäljet, se voidaan puhdistaa pehmeällä kankaalla, joka on kostutettu miedolla saippua- ja vesiliuoksella. Älä koskaan käytä hankaavia liinoja tai kiillotusaineita, koska ne vahingoittavat laitteen viimeistelyä.

VAROITUS: Älä koskaan päästä vettä tai muita nesteitä laitteen sisään puhdistuksen aikana

Tekniset tiedot:

Tehovaatimukset:

Pääyksikkö: 230 V ~ 50 Hz

Kaukosäädin: CR2025 3V

DISC-soitin

Järjestelmä: CD-levy ja digitaalinen äänijärjestelmä Laser Diode Properties

Päästöjen kesto: Jatkuva

Laserlähde: Alle 44,6 mW (Tämä lähde on arvon mittausta 200 mm: n etäisyydellä objektiivin pinnasta optisella poimintolohkolla, jonka aukko on 7 mm.)

Taajuusalue

FM-viritinosa:

Viritysalue: 87,5 MHz - 108,0 MHz (50 kHz askel.)

Kaiuttimen teho: 2x 5W

Max: 28W



Kantakaamme huolta ympäristöstä. Pahvipakkauksen pyydämme laittamaan paperikierrätykseen. Polyeteenipussit (PE) tulee laittaa muovien kierrätysastiaan. Loppuun käytetyt laitteet tulee toimittaa asianmukaiseen keräyspisteeseen, koska laitteen sisältämät vaaralliset aineosat voivat olla ympäristölle vahingollisia. Sähkölaite tulee toimittaa siten, että sen uudelleenkäyttö on estetty. Jos laitteessa on paristo, paristo tulee poistaa ja toimittaa erillisesti keräyspisteeseen.

SÄKERHETSVILLKOR VIKTIGA INSTRUKTIONER FÖR ANVÄNDNINGSAKERHET LÄS SÄKERHET LAGGANDE OCH HÅLL FÖR FRAMTIDA REFERENS

Garantivillkoren är olika, om enheten används för kommersiellt ändamål.

1. Innan du använder produkten läs noggrant och följ alltid följande instruktioner. Tillverkaren ansvarar inte för skador på grund av felaktig användning.
2. Produkten får endast användas inomhus. Använd inte produkten för något ändamål som inte är kompatibelt med dess tillämpning.
3. Den aktuella spänningen är 230V, ~ 50Hz. Av säkerhetsskäl är det inte lämpligt att ansluta flera enheter till ett vägguttag.
4. Var försiktig när du använder runt barn. Låt inte barnen leka med produkten. Låt inte barn eller personer som inte känner till enheten använda den utan tillsyn.
5. **WARNING:** Den här enheten kan användas av barn över 8 år och personer med nedsatt fysisk, sensorisk eller mental förmåga, eller personer utan erfarenhet eller kunskap om enheten, endast under överinseende av en person som ansvarar för deras säkerhet, eller om de fick instruktioner om säker användning av enheten och är medvetna om de faror som är förknippade med dess funktion. Barn ska inte leka med enheten. Rengöring och underhåll av apparaten ska inte utföras av barn, såvida de inte är över 8 år och dessa aktiviteter utförs under tillsyn.
6. När du är färdig med att använda produkten, kom alltid ihåg att försiktigt ta bort kontakten från eluttaget som håller uttaget med handen. Dra aldrig strömkabeln !!!
7. Anslut aldrig strömkabeln, kontakten eller hela enheten i vattnet. Utsätt aldrig produkten för atmosfäriska förhållanden som direkt solljus eller regn etc. Använd aldrig produkten under fuktiga förhållanden.
8. Kontrollera alltid strömkabelns tillstånd. Om strömkabeln är skadad ska produkten vändas till en professionell serviceplats som ska bytas ut för att undvika farliga situationer.
9. Använd aldrig produkten med en skadad strömkabel eller om den tappades eller skadades på något annat sätt eller om det inte fungerar ordentligt. Försök inte reparera den defekta produkten själv eftersom det kan leda till elektrisk stöt. Vänd alltid den skadade enheten till en professionell serviceplats för att reparera den. Alla reparationer kan endast utföras av auktoriserade servicepersonal. Den reparation som gjordes felaktigt kan orsaka farliga situationer för användaren.
10. Använd aldrig produkten på eller nära de varma eller varma ytorna eller köksutrustning som den elektriska ugnen eller gasbrännaren.
11. Använd aldrig produkten nära brännbara ämnen.
12. Låt inte ledningen hänga över kanten av räknaren eller vidröra heta ytor.
13. Lämna aldrig produkten ansluten till strömkällan utan tillsyn. Även om användningen avbryts under en kort stund, stäng av den från nätverket, koppla ur strömmen.
14. För att ge ytterligare skydd rekommenderas att man installerar återstartsströmsenhet (RCD) i strömkretsen, med återstående strömstyrka inte över 30 mA. Kontakta professionell elektriker i denna fråga.
15. Undvik att få radion våt.
16. Radion får bara torkas med en torr trasa. Använd inte vatten eller rengöringsmedel.
17. Radion ska hållas i ett torrt rum.

ENHET:

1. KRAFT PÅ / AV STANDBY-INDIKATOR 2. KÄLLA 3.TID SET / MEMORY KNAPP
4. TUNER CHANNEL - 5.AUX IN 6.USB 7.TUNER CHANNEL +

8. CD STOPPKNAPP / BLUETOOTH PIRKNAPP
9. CD / BLUETOOTH PLAY / PAUSE / RADIO AUTO SÖK KNAPP
10. CD / BLUETOOTH Hopp FÖREGÅENDE / TUNE - KNAPP
11. CD / BLUETOOTH SKIP NEXT / TUNE + KNAPP
12. VOLYMKONTROLLKNAPP 13.LCD- VISNING
14. CD DÖRR ÖPPEN / STANG KNAPP 15. CD DÖR 16.FM ANTENNA
17. HÖGTelefonjack 18.RIGHT SPEAKER CONNECTOR 19.LEFT SPEAKER CONNECTOR
20. DC-STROMADAPTER 21.BATTERY COMPARTMENT DOOR

FJÄRRKONTROLL:

1. STRÖM PÅ / AV STANDBY-INDIKATOR 2.DISK DIREKT SÖKKNAPP
3. PROG. KNAPP 4. CD / USB-SPÅR NED ELLER TID NED-KNAPP. UNER NED-KNAPP.
5. JUSTERINGSKNAPP 6. REPEAT KNUT 7.X-BASS KNAPP 8.TRACK NED KNAF
9. CD / BLUETOOTH PLAY / PAUSE / RADIO AUTO SÖK KNAPP
10. CD / BLUETOOTH Hopp FÖREGÅENDE / TUNE - KNAPP
11. CD / BLUETOOTH SKIP NEXT / TUNE + KNAPP
12. LOCK SET 13.LCD DISPLAY 14.CD DÖRR ÖPPEN / STÅNG KNAPP
15. CD DÖR 16.FM ANTENNA 17. HEADPHONE JACK
18. HÖG HÖGTALARE ANSLUTNING 19. VÄNSTER HÖGTALARE
20. RANDOMKNAPP OCH INTROKNAPP 21.DÖRNING AV BATTERIER
22. BT PLAY / PAUSE KNAPP 23.VOLUM UPP EN NED KNAPP
24. CD PLAY / PAUSE KNAPP 25. CD STOP KNAPP

SYSTEMANSLUTNINGAR

Se till att koppla ur nätkabeln ur stickkontakten från vägguttaget innan du gör några anslutningar.

Nätanslutning

Anslut nätkabeln till ett tillgängligt 230V ~ 50Hz AC-uttag. Se till att kontakten sitter ordentligt i nätuttaget.

Installera batterierna för batteriets säkerhetskopiering

1. Ta bort batterifackets lucka som ligger på undersidan av huvudenheten.
2. Följ polaritetsmarkeringarna inuti batterifacket och sätt i 2 x AAA-batterier (ingår ej) i de två batterifack som finns i batterifacket.
3. Sätt tillbaka batteriluckan.

OBS:

- Ta inte bort nätkabeln från vägguttaget när du byter ut batterierna. Om du gör det kommer alla aktuella datum och larminställningar att raderas.
- Om enheten kommer att lämnas utan koppling under en lång tid, ta bort batterierna för att undvika skador som kan uppstå om batterierna läcker och orsakar korrosion.

Fjärrkontroll

Fjärrkontrollen fungerar på ett CR2025 3V litiumbatteri (ingår i fjärrkontrollen). För att aktivera fjärrkontrollen tar du bort isolatorfliken som sitter i batterifacket.

Om fjärrkontrollen blir intermitterent eller otillfredsställande, byt ut det ursprungliga batteriet med ett nytt CR2025 3V litiumbatteri.

1. Tryck ned på facksåpan, skjut ut batterihållaren från fjärrkontrollfodralet.
2. Byt ut batteriet och se till att batteriet är korrekt installerat. Fjärrkontrollen fungerar inte om batteriet är installerat med fel polaritet.

WARNING:

- 1.) Explosionsrisk om batteriet byts ut felaktigt.
- 2.) Byt endast ut med samma eller motsvarande batteri.
- 3.) Sätt tillbaka batterihållaren i batterifacket.

STÅR ENHETEN PÅ / AV

1. I av (standby) -läge, tryck på POWER / STANDBY-knappen (A1, B1) på huvudenheten eller fjärrkontrollen för att slå på enheten.

Enheten slås på, den senast valda inmatningslägesikonen visas på LCD-skärmen.

2. För att stänga av enheten (vänteläge) trycker du på Power POWER / STANDBY-knappen (A1, B1) på huvudenheten eller fjärrkontrollen igen. LCD-displayen blir svag och visar aktuell tid. Indikatorn för vänteläge tänds.

INSTÄLLNING AV KLOCKAN

Efter att ha anslutit nätströmmen visas "00:00" och börjar blinka på LCD-skärmen.

1. Tryck och håll in CLOCK SET-knappen (B13) på fjärrkontrollen eller huvudenheten i strömavstängningsläge (standby). 24 HOURformatet "24H" visas i displayen.
2. Tryck på knappen Föregående / Nästa (B4, B18) på fjärrkontrollen eller huvudenheten för att välja 24-timmarsformat om det behövs. I annat fall, tryck på CLOCK SET (B12) -knappen för att bekräfta 12-timmars klockformat och gå in i klockinställningsläge, timtalsiffrorna blinkar.
3. Tryck på knappen Föregående / Nästa (B4, B18) på fjärrkontrollen eller huvudenheten för att justera timmen. Tryck och håll ned knappen för snabb inställning av framåt / bakåt.
- Obs: Se till att timmen är inställd så att PM-indikatorn visas korrekt.
4. Tryck på CLOCK SET (B12) -knappen på fjärrkontrollen för att bekräfta timinställningen, minutsiffrorna kommer att blinka för att be om inmatning.
5. Tryck på knappen Föregående / Nästa (B4, B18) på fjärrkontrollen eller huvudenheten för att justera minuten. Tryck och håll ned knappen för snabb inställning av framåt / bakåt.
6. Tryck på CLOCK SET (B12) -knappen på fjärrkontrollen igen för att slutföra inställningen.

OBS! Förinställningar av klocka och radiostation måste återställas om strömmen avbryts eller vid strömavbrott. "00:00" visas och börjar blinka på LCD-skärmen för att meddela dig att strömmen avbröts och att klockan måste återställas. Följ steg 1-6 ovan för att återställa klockan.

KONTROLLERERA KLOCKAN

Enheten visar aktuell tid i vänteläge. För att kontrollera aktuell tid i Power ON-läge, håll in och håll inne CLOCK SET (B12) -knappen på huvudenheten eller fjärrkontrollen i 3 sekunder, den aktuella tiden visas i 5 sekunder och återgår sedan till föregående skärm.

ALARM DRIFT (ENDAST FJÄRRKONTROLL)

Ställa in alarmklockan

Den här funktionen gör att systemet kan slå på sig automatiskt och väcka dig med ett pipalarm, CD, USB eller BU RADIO.

1. Tryck och håll in TIMER (B13) -knappen på fjärrkontrollen tills displayen visar "På" och timtalsiffrorna blinkar.
5. Tryck på knappen Föregående / Nästa (B4, B18) för att justera timsiffrorna och tryck sedan på TIMER-knappen för att bekräfta. Minussiffrorna blinkar på displayen.
3. Tryck på knappen Föregående / Nästa knapp (B4, B18) för att justera minutsiffrorna och tryck sedan på TIMER (B13) -knappen för att bekräfta.
4. När föregående / nästa knapp (B4, B18) på timerklockan är inställd, kommer displayen att visa "AV" och timssiffrorna blinkar.
5. Tryck på knappen Föregående / Nästa (B4, B18) för att justera timsiffrorna och tryck sedan på TIMER (B13) -knappen för att bekräfta. Minussiffrorna blinkar på displayen.
6. Tryck på knappen Föregående / Nästa knapp (B4, B18) på fjärrkontrollen för att justera minutsiffrorna och tryck sedan på TIMER-knappen för att bekräfta.
7. Tryck på knapparna för att välja CD-, USB-, BT- eller FM-läge, och tryck sedan på TIMER (B13) -knappen för att bekräfta. Displayen visar "VOL #" och blixt.
- Tryck på knappen Föregående / Nästa (B4, B18) för att justera volymen och tryck sedan på TIMER-knappen för att bekräfta.
8. Tryck på TIMER (B13) -knappen för att välja "Timer On", och timern är nu uppsättning.
9. I standby-läge visas timerikonen på displayen för att indikera att timern är på.

NOTERA:

- 1.) Om "Vakna till CD, USB" väljs men en CD inte är insatt kommer standardlarmet att ljudsignalen automatiskt när larmets vaketid uppnås.
- 2.) För "Wake to Radio" kommer systemet att vara den sista FM-radiostationen som lyssnat på innan den stängs av.
- 3.) Crescendo-larmet kommer att öka till den volymnivå du har ställt in.

AKTIV / DEAKTIV ALARMFUNKTION

1. För att aktivera ALARM, tryck på TIMER (B13) -knappen en gång så kommer larmsymbolen att visas på LCD-skärmen.
2. Avbryt ALARM-funktionen genom att trycka på TIMER (B13) -knappen igen. Larmikonen slocknar.

Vakna till radio, CD, USB eller BUZZER-larm

- När larmtiden har nåtts kommer ljudsignalen från CD, USB eller radio att ljuda i 60 minuter och stäng sedan av och återställa sig själv följande dag (utan att trycka på snooze-knappen).
- Tryck på POWER / STANDBY-knappen (A1, B1) på fjärrkontrollen eller på huvudenheten en gång för att stoppa larmet omedelbart efter det hörs. Den återställer sig själv nästa dag.
- För att avbryta följande dagslarm trycker du på knappen TIMER (B13) en gång, ALARM-ikonen slocknar.

RADIOOPERATION

1. Tryck på POWER / STANDBY-knappen (A1, B1) på huvudenheten eller fjärrkontrollen för att slå på enheten.
2. Tryck på SOURCE-knappen (A1, B11) på huvudenheten eller fjärrkontrollen för att välja FM-läge, FM-radiofrekvensen visas i displayen.
3. För att manuellt ställa in en specifik radiostation trycker du på Track Down, Track up (A10, A11, B8, B18) på antingen huvudenheten eller fjärrkontrollen upprepade gånger. Använd den manuella inställningsmetoden för att ställa in svagare stationer som förbigås under automatisk inställning.
4. För att automatiskt ställa in på nästa tillgängliga radiostation håller du ned spåringsknappen (A10, A11, B8, B18) på huvudenheten eller fjärrkontrollen i 1-2 sekunder tills frekvensavläsningen på skärmen börjar skanna och sedan släpp knappen. Tunaren slutar skanna när den tar emot nästa sändningsstation med tillräcklig signalstyrka.
5. Tryck på volymkontrollen på huvudenheten eller fjärrkontrollen för att justera volymkontrollen till önskad volymnivå.

FM / FM stereomottagning

När du lyssnar på FM-radion trycker du på ST./ MONO-knappen (B16) på fjärrkontrollen för att växla mellan stereoläge och monoläge. FM-stereoikonen "ST" visas på displayen om enheten är i stereoläge. Det är att föredra att ta emot programmet i mono när du får en svag station.

Tips för bästa mottagning:

FM - För bästa FM-mottagning, FM-ledningsantennen på baksidan av enheten borde vara fullständigt uppackad och förlängd.

OBS: Automatisk inställning beror på signalstyrkan för sändningsstationen, så svaga stationer kan hoppas över. Du kan ställa in manuellt för att hitta de svaga stationerna om en station hoppas över. Med starka signaler kan tunern stanna innan den når den faktiska sändningsfrekvensen, så du kan behöva manuellt ställa in för bästa mottagning.

PRESET RADIOSTATIONER

1. Tryck på POWER / STANDBY-knappen (A1, B1) på huvudenheten eller fjärrkontrollen för att slå på enheten.
 2. Tryck på SOURCE-knappen (A1, B11) på huvudenheten eller fjärrkontrollen för att välja FM-radialäge.
 3. Tryck och håll ner knappen Spåra ned. Spåra upp (A10, A11, B8, B18) på huvudenheten eller fjärrkontrollen tills frekvensavläsningen på skärmen börjar skanna och släpp sedan knappen för automatisk sökning och programmera förinställda kanaler. "PROG" visas i displayen och blinkar. Autosökning och program stannar vid P01 efter skanningen är klar. "PROG" visas på displayen stadigt.
- Obs! Om kanalerna som lagras under automatisk sökning och programmerad förinställning inte är de du vill spara använder du metoden nedan för att manuellt spara radioförinställningar.

4. Ställ in önskad radiostation antingen med "manuell" eller "automatiskt" inställningsmetod.
5. Klicka på PROG . (B3) på fjärrkontroll, nästa tillgängliga förinställda minnesnummer och ett blinkande PROG . (B3) -ikonen visas på LCD-skärmen. (Obs: "P01" visas på displayen om du programmerar förinställd för första gången)
6. Tryck på PRE. Knappen (B15, B19) på huvudenheten eller fjärrkontrollen för att välja det förinställda numret du vill tilldela stationen till.
7. Tryck på PROG . (B3) Knapp för att bekräfta inställningen.
8. Upprepa ovanstående steg 4 - 8 för att förinställa upp till 30 FM-stationer.

ÅTERINSTÄLLNING AV PRESET MEMORY CHANNELS

I radioläge, återkalla de förinställda kanalerna genom att trycka på PRE. Knapp (B15, B19) på fjärrkontrollen upprepade gånger.

DRIFT AV CD-SPELARE

Notera:

1. Denna CD-spelare spelar inte bara kommersiella CD-skivor, utan också självkompilerade CD-R / RW, MP3-skivor. Försök inte spela CD-ROM, CDI, VCD , DVD eller dator CD-skivor.
2. MP3 är en form av komprimering. Det är en akronym som står för MPEG Audio Layer 3. MP3 är en typ av ljudkod som behandlas av betydande komprimering från den ursprungliga ljudkällan med mycket liten förlust i ljudkvalitet.
 - Det här systemet stöder MPEG 1-lager 3 och VBR- filer.
 - Under VBR -filuppspelning kan tidräknare på displayen skilja sig från dess faktiska uppspelningstid.
 - Bitrate som stöds av MP3 är 32 ~ 320 kbp

LÄS DENNA VIKTIG INFORMATION:

CD-mekanismer som används i enheter som denna är utformade för att läsa alla kommersiella CD-skivor. Den kommer också att läsa självkompilerad CD-R / CD-RW, MP3-skivor, men det kan ta upp till 10 sekunder innan den faktiska uppspelningen börjar. Om uppspelningen inte startar beror det troligt på kvaliteten på CD-R / RW , MP3-skivan och / eller kompatibiliteten för CD-kompilationsprogramvaran. Tillverkaren ansvarar inte för uppselningskvaliteten på CD-R / RW , MP3-skivor. Fäst inte en etikett eller tätning på någon sida av CD-R / RW, MP3-skivan. Det kan orsaka fel.

SPELA EN CD

1. Tryck på POWER / STANDBY-knappen (A1, B1) på huvudenheten eller fjärrkontrollen för att slå på enheten.
2. Tryck på SOURCE-knappen (A1, B11) på fjärrkontrollen eller huvudenheten för att välja CD-läge och tryck sedan på Öppna skivfacket.
3. Placera en ljud-CD på mittspindeln med etikettens sida vänd ut mot CD-DORREN. Stäng skivfacket.
4. Enheten börjar läsa skivan, "--" visas i displayen och blinkar. Efter några sekunder visar det totala antalet spår en sekund och sedan visas den totala tiden för CD på LCD-DISPLAY.
5. Tryck på PLAY / PAUSE (A9, B22) -knappen på huvudenheten eller fjärrkontrollen, PLAY-indikatorn visas i displayen, CD-skivan börjar spela från första spåret.
6. Tryck på volymkontrollen Justera volymen. på huvudenheten eller fjärrkontrollen för att justera till önskad volymnivå.
7. För att pausa uppspelningen, tryck på PLAY / PAUSE (A9, B22) -knappen på huvudenheten eller fjärrkontrollen. Spårtiden pausas och PAUSE-indikatorn visas i displayen. Tryck på CD PLAY / PAUSE (A9, B22) -knappen igen för att återuppta uppspelningen.
8. Du kan välja att spela ditt favoritspår direkt genom att trycka på antingen Track Down, Track up (A10, A11, B8, B18). LCD-displayen visar det rätta spårnumret som valts.
9. För att hitta en viss sektion i ett spår, håll ner spåret nedåt, spåra upp (A10, A11, B8, B18) tills avsnittet hittas. Släpp knappen för att fortsätta spela ditt val.
10. För att sluta spela, tryck på STOPP (A8, B25) -knappen.

FÖRFARANDE FÖR ATT SPELA UPP MP3-DISC

För att spela upp CD-R / RW, Mp3

1. Tryck på SOURCE-knappen (A1, B11) på fjärrkontrollen och ladda en MP3-skiva.
2. Tryck på knappen FOLDER (B15, B19) för att välja önskad uppselningsmapp.
3. Välj önskad fil som ska spelas upp genom att trycka på knappen Spela ner, Spåra upp (A10, A11, B8, B18).
4. Tryck på PLAY / PAUSE (A9, B22). Uppspelningen startar och filnamnet visas.
s I fallet med uppspelning med mappläggning på, tryck på MAPP (B15, B19) -knappen, och mappen kan väljas även om det är i uppselnings / pausläget. Det fortsätter uppspelning / pausläge i det första spåret i den valda mappen.

ATT SPELA TILLBAKA USB / MP3-SPELARE MED. MAPPAR

1. Tryck på SOURCE-knappen (A1, B11) på fjärrkontrollen eller SOURCE-knappen (A1, B11) upprepade gånger på huvudenheten för att välja USB-funktion. Anslut USB-minnesenheten som har MP3-formatfiler på enheten. När USB-minnet är anslutet till huvudenheten visas enhetsinformationen.
2. Tryck på knappen FOLDER (B15, B19) för att välja önskad uppselningsmapp. Gå till steg för att starta uppspelningen med mappläggning på.
3. Välj önskad fil som ska spelas upp genom att trycka på knappen Spela ner, Spåra upp (A10, A11, B8, B18).
4. Tryck på PLAY / PAUSE (A9, B22). Uppspelningen startar och filnamnet visas.

NOTERA:

- Den här produkten är inte kompatibel med MTP- och AAC- filsystem från USB-masslagringsenhet eller MP3-spelare.
 - Den här enheten stöder FAT16 och FAT32, men vissa USB-lagringsmedier stöder kanske inte båda filsystemen. Mer information finns i bruksanvisningen för USB-lagringsenheten i fråga eller kontakta tillverkaren.
- Hoppa och söka läge

1. Tryck på Track Down, Track up (A10, A11, B8, B18) -knappen under uppspelning eller pausläge för att gå till nästa spår eller gå tillbaka till början på det aktuella spåret.
2. Under uppspelning, tryck och håll ned Track Down, Track up (A10, A11, B8, B18) för att söka inom det aktuella spåret med hörbar höghastighetsuppspelning.

Olika spelsätt (ENDAST FJÄRRKONTROLL)

Tryck på REPEAT-knappen (B6) på fjärrkontrollen upprepade gånger för att välja olika spellägen när CD spelas.

Vid uppspelning av CD visas uppspelningslägen enligt nedan:

Upprepa
Upprepa alla
Vanligt

REPEAT 1 - spåret som spelas och kommer att upprepas kontinuerligt. Upprepa en ikon "REPEAT 1" visas i displayen.
REPEAT ALL - alla spår upprepas kontinuerligt. Upprepa alla ikonerna "REPEAT ALL" visas i displayen.

RANDOM SPELA

När RANDOM (B20) -knappen trycks ned tre, tänds "RDM" -indikatorn på LCD-skärmen. Spåren på skivan kan spelas automatiskt i slumpmässig ordning.

Så här avbryter du slumpmässig uppspelning:

Tryck på RANDOM (B20) -knappen igen. "RDM" -indikatorn försvinner.

NOTERA:

Om du trycker på knappen under slumpmässig uppspelning kan du flytta till det spår som valts nästa med slumpmässig operation. Å andra sidan tillåter inte knappen att gå till föregående spår. Början av spåret som spelas kommer att finnas.
Vid slumpmässig uppspelning kommer enheten att välja och spela spår automatiskt. (Du kan inte välja spårets ordning.)

INTRO SPELNING

1. Tryck på INTRO (B20) på fjärrkontrollen. Indikatorn "INTRO (B20)" kommer att visas på displayen.
Enheten spelar de första 10 sekunderna av varje spår.
2. Tryck på INTRO (B20) på fjärrkontrollen igen för att återuppta normal uppspelning.

SPELA SPÅRSEKVENSPROGRAMMERING

Denna funktion gör det möjligt att spela spåren i en programmerad sekvens. Användaren kan programmera upp till 32 spår i CD-läge eller 99 spår i MP3 i valfritt

OBS! Program kan endast ställas in i STOPP-läge.

1. Klicka på PROG - Knapp (B3) på fjärrkontrollen, programnumret "1" visas i displayen, "PROG" -ikonerna och CD-spårnummer "-" blinkar också på LCD-skärmen. (Obs: "1" kommer att visas på displayen om du programmerar första gången).
2. Använd Track Down, Track up (A10, A11, B8, B18) på huvudenheten eller fjärrkontrollen för att välja önskat spår. Spårnumret visas i displayen.
3. Klicka på PROG - Knapp (B3) på huvudenheten eller fjärrkontrollen för att lagra det valda spåret i minnet, nästa programnummer kommer att förflytta ett (dvs. "2") i LCD-display.
4. Upprepa steg 2 till 3 för att lagra fler spår i minnet. Du kan lagra upp till CD 32-spår, MP3 99-spår. Displayen visar "FUL" efter att spår har programmerats.
5. Tryck på PLAY / PAUSE (A9, B22) på huvudenheten eller fjärrkontrollen för att börja spela CD: n i den programmerade sekvensen.
6. Tryck på REPEAT-knappen (B6) på fjärrkontrollen för att välja Repeat 1 / All om det behövs.
7. Tryck på STOPP-knappen (A8, B25) på huvudenheten eller fjärrkontrollen för att sluta spela.
För att avbryta programuppspelningen, tryck på STOPP-knappen (A8, B25) på huvudenheten eller fjärrkontrollen två gånger, "PROG" -ikonerna försvinner från displayen.

BLUETOOTH VERKSAMHET

Tryck på POWER / STANDBY-knappen (A1, B1) för att slå PÅ enheten och följ anvisningarna nedan för att ansluta via Bluetooth.

PAIRING (länkning) av en BLUETOOTH-aktiverad mobiltelefon ELLER ANDRA BLUETOOTH-aktiverad enhet till enheten

Om CR 1173 aldrig har kopplats ihop med en Bluetooth-enhet tidigare. Du måste följa parningsinstruktionerna nedan för att länka enheten till din Bluetooth-enhet.

1. Tryck på POWER / STANDBY-knappen (A1, B1) på huvudenheten eller fjärrkontrollen för att slå på enheten.
2. Tryck på SOURCE-knappen (A1, B11) på huvud- eller fjärrkontrollen för att välja Bluetooth-läge, Bluetooth "bt" -meddelande visas i displayen och blinkar.
3. Om CR 1173 aldrig har kopplats ihop med en Bluetooth-enhet förut eller inte hittar den senaste parade enheten, kommer den blinkande "bt" på LCD att indikera att XXX är i sökläge. Du måste följa parningsinstruktionerna nedan för att länka enheten till din Bluetooth-enhet.
- Slå på Bluetooth-funktionen på din Bluetooth-enhet och aktivera sök- eller skanningsfunktionen för att hitta CR 1173.
- Välj "CR 1173" från enhetslistan när den visas på enhetens skärm. Ange om nödvändigt lösenordskoden "0000" för att para (länka) CR 1173 med din enhet.
4. Efter att ha lyckats para ihop (länka) kommer displayen att ändras för att visa "bt" stadigt, Bluetooth-ikonen visas också i displayen. Du kan börja spela musik från din Bluetooth-enhet trådlöst till högtalaren.
5. När du har valt din favoritlåt trycker du på PLAY PAUSE (B22, A9) -knappen på enheten eller fjärrkontrollen för att spela eller pausa låten.
6. Tryck på volymkontrollen på huvudenheten eller fjärrkontrollen för att justera till önskad volymnivå.
7. Tryck på Track Down, Track up (B8, B9) -knappen på huvudenheten eller fjärrkontrollen för att hoppa till föregående eller nästa låt.
8. Om du vill koppla ihop enheten med en annan Bluetooth-aktiverad enhet trycker du på och håller in knappen PAIR (B10) i 3 sekunder eller stänger av Bluetooth-funktionen för den enhet som för närvarande är i par med enheten, upprepa sedan steg 3 ovan.

Anmärkingar:

- 1.) Se bruksanvisningen för din mobiltelefon, surfplatta, dator eller andra Bluetooth-aktiverade enheter för Bluetooth-funktion eftersom det kan variera från modell till modell.
- 2.) Om din Bluetooth-aktiverade enhet inte har A2DP-profil kommer den inte att spela musiken via högtalaren, även om den är ihopkopplad (länkad).
- 3.) Om du parar (kopplar) din dator till enheten med Bluetooth kan du behöva ställa in högtalaren som din dators standardljudenhet.

AUXILIARY INPUT OPERATION

Denna enhet har en extra ljudsignalingång för anslutning av externa ljudenheter som MP3-spelare, digital ljudenhet och lyssna på dem via enhetens högtalare.

1. Använd en ljudkabel (ingår inte) med en 3,5 mm stereokontakt i varje ände av kabeln.
2. Anslut den ena änden till AUX IN JACK (A5) på huvudenheten och den andra änden av kabeln i Line-out Jack eller Headphone Jack på din externa ljudenhet.
3. Slå på enheten och den externa ljudenheten.
4. Tryck på SOURCE-knappen (A1, B11) på huvud- eller fjärrkontrollen för att välja AUX-läge, "AUX" -ikonen slås på, displayen visar "AUX" -meddelande.
5. Volymnivån kan nu styras via huvudenheten. Använd alla andra funktioner på extrautrustningen som vanligt.

Notera:

· Om du ansluter den här enheten till Line-Out Jack på din externa enhet behöver du bara justera volymkontrollen för denna enhet. Om du ansluter hörlursuttaget på din externa enhet kan du behöva justera både volymkontrollerna på din externa enhet och denna enhet för att få önskad volyminställning.

PRESET EQ (ENDAST FJÄRRKONTROLL)

Den här enheten har fyra olika EQ-lägen för att förbättra din lyssningsupplevelse. Du kan välja önskad effekt genom att trycka på EQ-knappen (B5) på fjärrkontrollen upprepade gånger i följande sekvens:

ROCK POP JAZZ CLASSIC OFF

MUTE KNAPP (ENDAST FJÄRRKONTROLL)

- Tryck på MUTE-knappen (B21) på fjärrkontrollen för att stänga av ljudet från högtalaren tillfälligt. "V 00" visas i displayen.
- Tryck på MUTE-knappen (B21) igen eller VOLUME CONTROL (B23, A12) för att återuppta normal högtalaruppspelning.

SOVA DRIFT (ENDAST FJÄRRKONTROLL)

Vilketimer låter dig stänga av enheten efter en angiven tid.

1. För att aktivera vilotimern, slå på enheten och knacka på SOURCE-knappen (A1, B11) för att välja FM-radio, CD, USB, Bluetooth eller lyssna på musik via AUX IN.
2. Tryck på SLEEP-knappen (B14) på fjärrkontrollen, vilotidsikonen "SLEEP" visas på displayen.
3. Tryck upprepade gånger på SLEEP-knappen (B14) för att välja vilotid. Enheten stängs av efter 10, 20, 30, 40, 50, 60, 70, 80 eller 90 minuter. Vänta i 3 sekunder efter att du valt för att enheten ska bekräfta valet, enheten spelas under den valda tiden och stängs automatiskt av.
4. För att avbryta sömntimern trycker du på SLEEP-knappen (B14) upprepade gånger tills timern visar "OFF", vilotidsikonen "SLEEP" försvinner på skärmen.
5. För att stänga av enheten innan den valda tiden trycker du på POWER / STANDBY-knappen (A1, B1) när som helst.

Anmärkningar:

- 1.) För att kontrollera återstående vilotid, tryck på SLEEP-knappen (B14) en gång.
- 2.) Om du somnar till musik från en extern enhet ansluten till AUX-ingången stänger vilotimern av strömmen till det här systemet men det stänger inte av den externa enheten.

ANVÄNDER HÖGTelefoner (INTE INKLUDERADE)

Om du sätter i hörlurarna i stereo hörlurarna (A17) kan du lyssna på cd- eller radiomusiken privat. När du använder hörlurar kopplas de inbyggda högtalarna bort.

LÄS DENNA VIKTIG INFORMATION FÖR DU ANVÄNDER DIN HÖRTelefoner

1. Undvik utökad spel med mycket hög volym eftersom det kan försämra din hörsel.
2. Om du upplever att ringa i öronen, minska volymen eller stäng av enheten.
3. Håll volymen på en rimlig nivå även om headsetet är en utomhus typ som är utformad så att du kan höra ljud utanför. Observera att alltför hög volym fortfarande kan blockera ljud utanför.

NOLLSTÄLLNING

Om systemet inte svarar eller har felaktig funktion kan du ha upplevt en elektrostatisk urladdning (ESD) eller ett strömbrott som utlöste den interna datorn att stängas av automatiskt. Om detta inträffar, koppla ur nätkabeln från strömkällan, vänta i 60 sekunder och anslut sedan nätkabeln till strömkällan igen. Enheten återställs, du måste ställa in klocka, larm och förinställda radiokanaler.

VÅRD OCH UNDERHÅLL

1. Utsätt inte enheten för kraft, stöt, damm eller extrem temperatur (ovan 40C).
2. Manipulera inte enhetens interna komponenter.
3. Rengör enheten med en torr trasa. Lösningssmedel eller tvättmedel ska aldrig användas.
4. Undvik att lämna enheten i direkt solljus eller på heta, fuktiga eller dammiga platser.
5. Håll din enhet borta från värmeapparater och källor till elektriskt ljud som lysrör eller motorer.
6. Om bortfall eller avbrott inträffar i musiken under CD-uppspelning, eller om CD-skivan inte alls spelas, kan dess bottenyta krävas rengöring. Torka av skivan från mitten utåt med en god mjuk rengöringsduk innan du spelar.

RENGÖRING AV ENHETEN

- Koppla bort enheten från nätströmkällan när du rengör det för att förhindra brand- eller chockrisk.
- Finishen på enheten kan rengöras med en dammduk och vårdas som andra möbler. Var försiktig när du rengör och torker av plastdelarna.
- Om skåpet blir dammig, torka av det med en mjuk torr dammduk. Använd inte vax eller poleringssprej på skåpet.
- Om frontpanelen blir smutsig eller fläckig rengör den med en mjuk trasa lätt fuktad med en mild tvål- och vattenlösning. Använd aldrig slipdukar eller slipmedel, eftersom dessa kommer att skada ytan på ytan.

FÖRSIKTIGHET: Låt aldrig vatten eller andra vätskor komma in i enheten under rengöring

Teknisk data:

Kraftbehov:

Huvudenhet: 230V ~ 50Hz

Fjärrkontroll: CR2025 3V

DISC-spelarsektion

System: Kompakt skiva och digitalt ljudsystem Laserdiodeegenskaper

Utsläppstid: Kontinuerlig

Laserutgång: Mindre än 44,6 mW (Denna utgång är värdemätningen på ett avstånd av 200 mm från objektivlinsytan på det optiska pick-upblocket med 7 mm bländare.)

Frekvensomfång

FM-tunersektion:

Inställningsområde: 87,5 MHz-108,0 MHz (steg om 50 kHz)

Högtalareffekt: 2x 5W

Max: 28W



Vi sköter om miljön. Överlämna förpackningar i kartong till pappersavfall. Polyetylensäckar (PE) slängs i avfallsbehållare för plast. Man bör lämna en gammal apparat till en riktig återvinningscentral, eftersom farliga komponenter i apparaten kan orsaka fara till miljön. En elektrisk apparat bör lämnas för att minska förnyad användning av denna. Om apparaten innehåller batterier, bör man ta bort dem och lämna dem separat till återvinningscentraler.

(SK) SLOVENSKÝ

BEZPEČNOSTNÉ PODMIENKY DÔLEŽITÉ POKYNY PRE BEZPEČNOSŤ POUŽITIA SI PREČÍTAJTE POZORNE A UCHOVÁVAJTE PRE BUDÚCNOSŤ

Podmienky záruky sú odlišné, ak sa zariadenie používa na komerčné účely.

1. Pred použitím výrobku pozorne prečítajte a dodržujte nasledujúce pokyny. Výrobca nezodpovedá za žiadne škody spôsobené zneužitím.

2. Produkt sa má používať iba v interiéri. Nepoužívajte výrobok na žiadny účel, ktorý nie je kompatibilný s jeho aplikáciou.

3. Použitelné napätie je 230V, ~ 50Hz. Z bezpečnostných dôvodov nie je vhodné pripojiť viacero zariadení do jednej elektrickej zásuvky.

4. Prosím buďte opatrní pri používaní okolo detí. Nedovoľte deťom hrať s produktom.

Nedovoľte deťom alebo ľuďom, ktorí zariadenie nepoznajú, aby ich používali bez dozoru.

5. VÝSTRAHA: Toto zariadenie môže používať deti staršie ako 8 rokov a osoby so zníženými fyzickými, zmyslovými alebo duševnými schopnosťami alebo osoby bez skúseností alebo znalostí prístroja iba pod dohľadom osoby zodpovednej za ich bezpečnosť alebo ak boli poučení o bezpečnom používaní prístroja a sú si vedomí nebezpečenstva spojeného s jeho prevádzkou. Deti by sa nemali hrať so zariadením. Čistenie a údržbu zariadenia by nemali vykonávať deti, pokiaľ nie sú staršie ako 8 rokov a tieto činnosti sa vykonávajú pod dohľadom.

6. Po skončení používania výrobku vždy nezabudnite jemne vytiahnuť zástrčku z elektrickej zásuvky, ktorá drží zástrčku rukou. Nikdy nevyťahujte napájací kábel!

7. Nikdy nekladajte napájací kábel, zástrčku alebo celé zariadenie do vody. Nikdy nevystavujte výrobok atmosférickým podmienkam, ako je priame slnečné žiarenie alebo dážď atď. Nikdy nepoužívajte výrobok vo vlhkých podmienkach.

8. Periodicky skontrolujte stav napájacieho kábla. Ak dôjde k poškodeniu napájacieho kábla, produkt by mal byť otočený na profesionálne servisné miesto, ktoré sa má vymeniť, aby sa predišlo nebezpečným situáciám.

9. Nikdy nepoužívajte výrobok s poškodeným napájacím káblom alebo ak bol iný spôsob spadnutia alebo poškodený alebo ak nefunguje správne. Nepokúšajte sa opraviť poškodený produkt sami, pretože môže viesť k úrazu elektrickým prúdom. Poškodené zariadenie vždy odpojte od profesionálneho servisu, aby ste ho mohli opraviť. Všetky opravy môžu vykonávať len autorizovaní servisní pracovníci. Oprava, ktorá bola vykonaná nesprávne, môže spôsobiť používateľovi nebezpečnú situáciu.

10. Nikdy neumiestňujte výrobok na horúce alebo teplé povrchy alebo do blízkosti takých

spotrebičov, ako je elektrická rúra alebo plynový horák.

11. Nikdy nepoužívajte výrobok v blízkosti horľavín.

12. Nemovajte kábel visieť nad hranou počítača alebo dotýkajte sa horúcich plôch.

13. Nikdy nenechávajte výrobok pripojený k napájaciemu zdroju bez dohľadu. Aj pri krátkom prerušení používania vypnite sieť zo siete, odpojte napájanie.

14. Aby sa zabezpečila dodatočná ochrana, odporúča sa nainštalovať reziduálny prúd (RCD) v napájacom okruhu, pričom zvyškový prúd nesmie byť väčší ako 30 mA. V tejto záležitosti kontaktujte profesionálneho elektrikára.

15. Vyhnite sa vlhkému rámu.

16. Rádio sa smie otrieť iba suchou handričkou. Nepoužívajte vodu ani čistiace kvapaliny.

17. Rádio by sa malo uchovávať v suchej miestnosti.

ZARIADENIE:

1. INDIKÁTOR NAPÁJANIA / VYPNUTIA STANDBY 2. ZDROJ 3. TLAČIDLO NASTAVENIA / PAMÄTE
4. TUNER CHANNEL - 5.AUX V 6.USB 7. TUNER CHANNEL +
8. TLAČIDLO TLAČIDLA CD STOP / BLUETOOTH PAIR
9. TLAČIDLO PREHRÁVANIA / PAUZY / RÁDIA AUTOMATICKÉHO VYHLADÁVANIA CD / BLUETOOTH
10. TLAČIDLO PREVIOUS / TUNE CD / BLUETOOTH SKIP
11. TLAČIDLO CD / BLUETOOTH SKIP NEXT / TUNE +
12. OVLÁDAČ HLASITOSTI 13. ZOBRAZENIE CD
14. TLAČIDLO OTVORENIA / ZATVORENIA CD DVERÍ 15. CD DVERE 16.FM ANTÉNA
17. KONEKTOR HLAVNÉHO REPRODUKTORA 18. PRIPOJNÝ REPRODUKTOR REPRODUKTORA
20. DC ADAPTER 21. DVEROVÉ PRIESTORY DVERÍ

DIALKOVÉ OVLÁDANIE:

1. INDIKÁTOR NAPÁJANIA / VYPNUTIA STANDBY 2. TLAČIDLO PRIAMEHO VYHLADÁVANIA VYHLADÁVANIA
3. PROG . TLAČIDLO 4. TLAČIDLO TLAČIDLA TLAČIDLA TUNER DOWN alebo CD / USB TRACK DOWN alebo TIME DOWN.
5. TLAČIDLO EQUALIZÁTORA TLAČIDLO 6.REPEAT 7. TLAČIDLO X-BASS 8. TLAČIDLO DOLE
9. TLAČIDLO PREHRÁVANIA / PAUZY / RÁDIA AUTOMATICKÉHO VYHLADÁVANIA CD / BLUETOOTH
10. TLAČIDLO PREVIOUS / TUNE CD / BLUETOOTH SKIP
11. TLAČIDLO CD / BLUETOOTH SKIP NEXT / TUNE +
12. ZOBRAZENIE ZARIADENIA 13. ZOBRAZENIE ZARIADENIA 14. TLAČIDLO OTVORENIA / ZATVORENIA DVERÍ DVERÍ
15. CD DVERE 16.FM ANTÉNY 17. ZVUKOVÁ SLÚCHADLA
18. KONEKTOR PRAVÉHO REPRODUKTORA 19.LEFT KONEKTOR REPRODUKTORA
20. TLAČIDLO NAHODNÉHO A ZAKLADNÉHO TLAČIDLA 21. DVIERKA PRIESTOROVÉHO PRIESTORU
22. TLAČIDLO BT PREHRÁVANIE / PAUZA 23.VOLUM UP A DOWN TLAČIDLO
24. TLAČIDLO PREHRÁVANIA / PAUZY CD 25. TLAČIDLO STOP CD

PRIPOJENIA SYSTÉMU

Pred akýmkoľvek pripojením odpojte sieťovú šnúru.

Pripojenie striedavého prúdu

Zapojte sieťový kábel striedavého prúdu do dostupného sieťového výstupu 230 V ~ 50 Hz. Uistite sa, že je zástrčka bezpečne zapojená do sieťovej zásuvky.

Inštalácia batérií na zálohovanie batérií

1. Odstráňte dvierka priestoru pre batérie umiestnené na spodnej časti hlavnej jednotky.

2. Postupujte podľa značiek polaritu vo vnútri priestoru pre batérie a vložte 2 x AAA batérie (nie sú súčasťou dodávky) do dvoch otvorov pre batérie umiestnených v priestore pre batérie.

3. Namontujte späť kryt priestoru pre batérie.

Poznámky:

· Pri výmene záložných batérií neodpájajte napájací kábel striedavého prúdu zo zásuvky. Ak tak urobíte, všetky nastavenia aktuálneho dátumu a budíka sa vymažú.

· Ak necháte prístroj dlhšiu dobu odpojený, vyberte batérie, aby ste predišli akémukoľvek poškodeniu, ktoré môže vzniknúť, ak batérie vytečú a spôsobia koróziu.

Dialkové ovládanie

Dialkové ovládanie pracuje s jednou lítiovou batériou CR2025 3V (súčasťou dodávky). Ak chcete aktivovať dialkové ovládanie, odstráňte jazyček izolátora vložený do priestoru pre batérie.

Ak je vzdialená prevádzka prerušovaná alebo nevyhovujúca, vymeňte pôvodnú batériu za novú lítiovú batériu Cr2025.

1. Stlačte kryt priestoru pre batériu a vysuňte držiak batérie z puzdra dialkového ovládania.

2.Vložte batériu, aby ste sa uistili, že je správne vložená. Dialkové ovládanie nebude fungovať, ak je batéria vložená s nesprávnou polaritou.

POZOR:

1.) Pri nesprávnej výmene batérie hrozí nebezpečenstvo výbuchu.

- 2.) Vymeňte iba za batériu rovnakého alebo ekvivalentného typu.
- 3.) Vložte držiak batérie späť do otvoru pre batériu.

ZAPNUTIE / VYPNUTIE ZARIADENIA

1. V režime Off (pohotovostný režim) klepnutím na tlačidlo POWER / STANDBY (A1, B1) na hlavnej jednotke alebo diaľkovom ovládači jednotku zapnete. Jednotka sa zapne, na LCD displeji sa zobrazí ikona naposledy zvoleného režimu vstupu.
2. Ak chcete jednotku vypnúť (pohotovostný režim), znova klepnite na tlačidlo ZAPNÚT / VYPNÚT / STANDBY (A1, B1) na hlavnej jednotke alebo na diaľkovom ovládači. LCD DISPLAY zhasne a ukáže aktuálny čas. Rozsvieti sa indikátor pohotovostného režimu

NASTAVENIE HODÍN

Po pripojení sieťového napájania sa na displeji LCD zobrazí „00:00“ a začne blikať.

1. V režime vypnutia (pohotovostný režim) stlačte a podržte tlačidlo CLOCK SET (B13) na diaľkovom ovládači alebo hlavnej jednotke, na displeji sa zobrazí 24-hodinový formát „24H“.
2. Klepnite na tlačidlo Predchádzajúci / Nasledujúci (B4, B18) na diaľkovom ovládači alebo na hlavnej jednotke av prípade potreby vyberte formát 24 hodín. V opačnom prípade stlačte tlačidlo CLOCK SET (B12), aby ste potvrdili 12-hodinový formát hodín a vstúpili do režimu nastavenia hodín, číslice hodín budú blikať.
3. Hodiny upravíte klepnutím na tlačidlo Previous / Next (B4, B18) na diaľkovom ovládači alebo hlavnej jednotke. Stlačte a podržte tlačidlo pre rýchle nastavenie dopredu / dozadu.
Poznámka: Uistite sa, že je nastavená hodina tak, aby sa indikátor PM zobrazoval správne.
4. Stlačením tlačidla CLOCK SET (B12) na diaľkovom ovládači potvrdíte nastavenie hodín, číslice minút budú blikať a zobrazí sa výzva na zadanie.
5. Poklepaním na tlačidlo Previous / Next (B4, B18) na diaľkovom ovládači alebo hlavnej jednotke upravte minúty. Stlačte a podržte tlačidlo pre rýchle nastavenie dopredu / dozadu.
6. Nastavenie dokončíte opätovným stlačením tlačidla CLOCK SET (B12) na diaľkovom ovládači.

POZNÁMKA: Predvoľby hodín a rozhlasových staníc bude potrebné resetovať, ak dôjde k prerušeniu napájania alebo v prípade výpadku napájania. Na displeji LCD sa zobrazí „00:00“ a začne blikať, aby vás upozornilo, že bolo prerušené napájanie a budete musieť hodiny resetovať. Postupujte podľa krokov 1-6 vyššie a hodiny sa vynulujú.

KONTROLA HODÍN

Pristroj zobrazí v pohotovostnom režime aktuálny čas. Ak chcete skontrolovať aktuálny čas v režime zapnutia, stlačte a podržte tlačidlo CLOCK SET (B12) na hlavnej jednotke alebo diaľkovom ovládači po dobu 3 sekúnd, aktuálny čas sa zobrazí na 5 sekúnd a potom sa vráti na predchádzajúcu obrazovku.

PREVÁDZKA ALARMU (LEN DIAĽKOVÉ OVLÁDANIE)

NASTAVENIE ALARMOVÝCH HODÍN

- Táto funkcia umožňuje systému automaticky sa zapnúť a prebudiť pomocou zvukového signálu, CD, USB alebo BU RADIO.
1. Stlačte a podržte tlačidlo TIMER (B13) na diaľkovom ovládači, kým sa na displeji nezobrazí „On“ a číslice hodín nezačnú blikať.
 2. Stlačením tlačidiel Previous / Next (B4, B18) upravte číslice hodín a potom stlačením tlačidla TIMER voľbu potvrdíte. Na displeji blíkajú číslice minút.
 3. Stlačením tlačidiel Previous / Next (B4, B18) upravte číslice minút a potom stlačením tlačidla TIMER (B13) výber potvrdíte.
 4. Keď je nastavené tlačidlo Predchádzajúce / Nasledujúce (B4, B18) Časovač zapnutia hodín, na displeji sa zobrazí „VYP“ a číslice hodín budú blikať
 5. Stlačením tlačidiel Previous / Next (B4, B18) upravte číslice hodín a potom stlačením tlačidla TIMER (B13) výber potvrdíte. Na displeji blíkajú číslice minút.
 6. Stlačením tlačidiel Previous / Next (B4, B18) na diaľkovom ovládači upravte číslice minút a potom stlačením tlačidla TIMER výber potvrdíte.
 7. Stlačením tlačidiel vyberte režim CD, USB, BT alebo FM a potom stlačením tlačidla TIMER (B13) výber potvrdíte. Na displeji sa zobrazí „VOL #“ a bude blikať.
 8. Stlačením tlačidiel Previous / Next (B4, B18) upravte hlasitosť a potom stlačením tlačidla TIMER voľbu potvrdíte.
 8. Stlačením tlačidla TIMER (B13) vyberte „Časovač zapnutý“ a časovač je teraz set.
 9. V pohotovostnom režime sa na displeji zobrazí ikona časovača, ktorá označuje, že je časovač zapnutý.

POZNÁMKA:

- 1.) Ak vyberiete možnosť „Wake to CD, USB“ (Prebudiť na CD, USB), ale disk CD nie je vložený, po uplynutí času budenia sa alarm automaticky nastaví na zvukový signál.
 - 2.) V prípade funkcie „Wake to Radio“ sa systém pred vypnutím predvolene nastaví na poslednú rozhlasovú stanicu v pásme FM.
 - 3.) Alarm crescendo sa zvýši na nastavenú úroveň hlasitosti.
- AKTÍVNA / Neaktívna funkcia alarmu

1. Ak chcete aktivovať ALARM, klepnite raz na tlačidlo ČASOVAČ (B13) a na displeji LCD sa zobrazí ikona budíka.
 2. Zrušte funkciu ALARM opätovným poklepaním na tlačidlo ČASOVAČ (B13). Ikona budíka zhasne.
- Budenie budením rádia, CD, USB alebo BUZZER

- Po dosiahnutí času budíka zaznie zvukový signál CD, USB alebo rádiodudík 60 minút, potom sa vypne a nastaví sa na nasledujúci deň (bez stlačenia tlačidla odloženia).
- Ak chcete budík zastaviť okamžite po jeho zaznení, poklepte na tlačidlo POWER / STANDBY (A1, B1) na diaľkovom ovládači alebo na hlavnej jednotke. Obnoví sa nasledujúci deň.
- Ak chcete zrušiť budík na nasledujúci deň, klepnite raz na TLAČIDLO ČASOVAČA (B13), ikona ALARM zhasne.

PREVÁDZKA RÁDIA

1. Zapnite jednotku klepnutím na tlačidlo POWER / STANDBY (A1, B1) na hlavnej jednotke alebo na diaľkovom ovládači.
2. Klepnite na tlačidlo ZDROJ (A1, B11) na hlavnej jednotke alebo na diaľkovom ovládači, aby ste vybrali režim FM, na displeji sa zobrazí FM frekvencia.
3. Ak chcete manuálne naladiť konkrétnu rozhlasovú stanicu, opakovane ťuknite na tlačidlo Trasa nadol, Trasa hore (A10, A11, B8, B18) na hlavnej jednotke alebo na diaľkovom ovládači. Naladíte slabšie stanice, ktoré sú vynechané počas automatického ladenia, pomocou metódy manuálneho ladenia.
4. Ak chcete automaticky naladiť nasledujúcu dostupnú rozhlasovú stanicu, stlačte a podržte tlačidlo Track Down (A10, A11, B8, B18) na hlavnej jednotke alebo na diaľkovom ovládači po dobu 1 - 2 sekúnd, až kým sa na displeji nezačne skenovať údaj o frekvencii, a potom tlačidlo uvoľnite. Tuner zastaví vyhľadávanie, keď prijme ďalšiu vysielaciu stanicu s primeranou intenzitou signálu.
5. Stlačením ovládača hlasitosti na hlavnej jednotke alebo diaľkovom ovládači nastavíte ovládač hlasitosti na požadovanú úroveň hlasitosti.

FM / FM stereofónny príjem

Pri počúvaní rádia FM stlačte prepínač ST/ MONO (B16) na diaľkovom ovládači, aby ste prepli medzi režimom stereo a mono. Ak je jednotka v stereofónnom režime, na displeji sa zobrazí ikona ST stereo. Ak prijímate slabú stanicu, je lepšie program prijímať mono.

TIPY NA NAJLEPŠÍ PRIJÍMAČ:

FM - Na dosiahnutie najlepšieho príjmu v pásme FM je drôtová anténa FM umiestnená na zadnej strane zariadenia by mali byť úplne nerozbalené a rozšírené.

POZNÁMKA: Automatické ladenie závisí od sily signálu vysielacej stanice, takže slabé stanice môžu byť preskočené. Ak je stanica preskočená, môžete manuálne naladiť vyhľadávanie slabých staníc. Pri silných signáloch sa môže tuner zastaviť skôr, ako dosiahne skutočnú vysielaciu frekvenciu, takže pre najlepší príjem budete možno musieť ručne naladiť.

PRESETOVÉ RÁDIOVÉ STANICE

1. Jednotku zapnite stlačením tlačidla POWER / STANDBY (A1, B1) na hlavnej jednotke alebo na diaľkovom ovládači.
2. Klepnutím na tlačidlo ZDROJ (A1, B11) na hlavnej jednotke alebo na diaľkovom ovládači vyberte režim rádia FM.
3. Stlačte a podržte klepnuté na tlačidlo Trasa nadol, Trasa hore (A10, A11, B8, B18) na hlavnej jednotke alebo na diaľkovom ovládači, až kým sa na displeji nezačne skenovať údaj o frekvencii, a potom tlačidlo uvoľnite pre automatické vyhľadávanie a naprogramujte predvolené kanály. Na displeji sa zobrazí „PROG“ a bliká. Po dokončení skenovania sa automatické vyhľadávanie a program zastavia na P01, na displeji sa stále zobrazuje „PROG“.
4. Poznámka: Ak kanály uložené počas automatického vyhľadávania a naprogramované predvolby nie sú kanály, ktoré chcete uložiť, použite nižšie uvedený postup na manuálne uloženie predvolieb rádia.
5. Naladíte požadovanú rozhlasovú stanicu buď manuálne alebo automaticky.
6. Klepnite na PROG . (B3) na diaľkovom ovládači ďalšie dostupné predvolené číslo pamäte a blikajúce PROG . Na LCD displeji sa zobrazí ikona (B3). (Poznámka: Ak programujete predvolené nastavenie prvýkrát, na displeji sa zobrazí „P01“).
7. Klepnite na PRE. Tlačidlom (B15, B19) na hlavnej jednotke alebo diaľkovom ovládači vyberte číslo predvolby, ktorému chcete priradiť stanicu.
8. Klepnite na PROG . (B3) Tlačidlo na potvrdenie nastavenia.
8. Opakovaním krokov 4 - 8 uložte až 30 staníc FM.

PRIPOMÍNAJÚCE PAMÄŤOVÉ KANÁLY

V režime rádia vyvolajte prednastavené kanály stlačením tlačidla PRE. Tlačidlo (B15, B19) na diaľkovom ovládači opakovane.

PREVÁDZKA PREHRÁVAČA CD

- Poznámka:**
1. Tento prehrávač diskov CD bude prehrávať nielen komerčné disky CD, ale aj samostatne zostavené disky CD-R / RW a MP3.
 2. Nepokúšajte sa prehrávať disky CD-ROM, CDI, VCD, DVD alebo počítače.
 3. MP3 je forma kompresie. Je to skratka, ktorá znamená MPEG Audio Layer 3. MP3 je typ zvukového kódu, ktorý sa spracováva výraznou kompresiou z pôvodného zdroja zvuku s veľmi malou stratou kvality zvuku.
 - Tento systém podporuje súbory MPEG 1 Layer 3 a VBR .
 - Počas prehrávania súboru VBR sa počítadlo času na displeji môže líšiť od skutočného času prehrávania.
 - Bitrát, ktorý podporuje MP3, je 32 ~ 320 kbps

PREČÍTAJTE SI TOTO DÔLEŽITÉ INFORMÁCIE:

Mechanizmy CD používané v podobných zariadeniach sú navrhnuté tak, aby čítali všetky komerčné disky CD. Číta tiež samo kompilované disky CD-R / CD-RW, MP3, ale skutočné prehrávanie môže začať až 10 sekúnd. Ak sa prehrávanie nezačne, je to pravdepodobne kvôli kvalite CD-R / RW, MP3 disku a / alebo kompatibilitate kompilačného softvéru CD. Výrobca nezodpovedá za kvalitu prehrávania diskov CD-R / RW, Mp3.

Na disk CD-R / RW alebo MP3 neprilepujte štítko ani pečať. Môže to spôsobiť poruchu.

PREHRÁVANIE CD

1. Jednotku zapnite stlačením tlačidla POWER / STANDBY (A1, B1) na hlavnej jednotke alebo na diaľkovom ovládači.
2. Klepnite na tlačidlo ZDROJ (A1, B11) na diaľkovom ovládači alebo na hlavnej jednotke, aby ste vybrali režim CD, a potom stlačte otvorenie priestoru pre disk.
3. Zvukový disk CD umiestnite na stredové vreteno tak, aby jeho strana so štítkom smerovala von k CD DVERE. Zatvorte priehradku na disk.
4. Jednotka začne čítať disk, na displeji sa zobrazí „--“ a bude blikáť. Po niekoľkých sekundách sa celkový počet stôp zobrazí jednu sekundu a potom sa na LCD DISPLAY zobrazí celkový čas CD.
5. Stlačte tlačidlo PLAY / PAUSE (A9, B22) na hlavnej jednotke alebo na diaľkovom ovládači, na displeji sa zobrazí indikátor PLAY, CD sa začne prehrávať od prvej skladby.

6. Stlačte ovládač hlasitosti. Nastavte hlasitosť. Na hlavnej jednotke alebo na diaľkovom ovládači, aby ste nastavili požadovanú úroveň hlasitosti.
7. Na pozastavenie prehrávania stlačte tlačidlo PLAY / PAUSE (A9, B22) na hlavnej jednotke alebo na diaľkovom ovládači. Čas skladby sa pozastaví a na displeji sa zobrazí indikátor PAUSE. Ak chcete obnoviť prehrávanie, znova stlačte tlačidlo CD PLAY / PAUSE (A9, B22).
8. Svoju obľúbenú skladbu si môžete priamo prehrať stlačením tlačidla Track Down, Track up (A10, A11, B8, B18). Na LCD displeji sa zobrazí správne číslo zvolenej skladby.
9. Ak chcete vyhľadať určitú časť v rámci stopy, stlačte a podržte tlačidlo Trasa nadol, Trasa hore (A10, A11, B8, B18), kým sa nenájdete časť. Uvoľnením tlačidla pokračujte v výbere.
10. Na zastavenie prehrávania stlačte tlačidlo STOP (A8, B25).

POSTUP PREHRÁVANIA MP3 DISKOV

Prehrávanie diskov CD-R / RW, Mp3

1. Stlačte tlačidlo SOURCE (A1, B11) na diaľkovom ovládači a vložte disk Mp3.
 2. Stlačením tlačidla FOLDER (B15, B19) vyberte požadovaný priečinok na prehrávanie.
 3. Stlačením tlačidla Track Down, Track up (A10, A11, B8, B18) vyberte požadovaný súbor, ktorý chcete prehrať.
 4. Stlačte PLAY / PAUSE (A9, B22). Spustí sa prehrávanie a zobrazí sa názov súboru.
- s V prípade prehrávania so zapnutým režimom priečinka stlačte tlačidlo FOLDER (B15, B19) a priečinok je možné zvoliť, aj keď je v režime prehrávania / pozastavenia. Bude pokračovať v režime prehrávania / pozastavenia v 1. skladbe zvoleného priečinka.

PREHRÁVANIE PREHRÁVAČA USB / MP3 S FOLDER

1. Opakovaným stlačením tlačidla SOURCE (A1, B11) na diaľkovom ovládači alebo tlačidla SOURCE (A1, B11) na hlavnej jednotke vyberte funkciu USB. Pripojte pamäťové zariadenie USB, ktoré obsahuje súbory formátu MP3 na jednotku. Po pripojení pamäte USB k hlavnej jednotke sa zobrazia informácie o zariadení.
2. Stlačením tlačidla FOLDER (B15, B19) vyberte požadovaný priečinok na prehrávanie. Ak chcete spustiť prehrávanie so zapnutým režimom priečinka, prejdite na krok.
3. Stlačením tlačidla Track Down, Track up (A10, A11, B8, B18) vyberte požadovaný súbor, ktorý chcete prehrať.
4. Stlačte PLAY / PAUSE (A9, B22). Spustí sa prehrávanie a zobrazí sa názov súboru.

POZNAMKA:

- Tento produkt nie je kompatibilný so systémami súborov MTP a AAC z veľkokapacitného úložného zariadenia USB alebo prehrávača Mp3.
- Toto zariadenie podporuje FAT16 a FAT32, ale niektoré úložné médiá USB nemusia podporovať oba systémy súborov. Podrobné informácie nájdete v prevádzkovej príručke príslušného úložného zariadenia USB alebo sa obráťte na výrobcu.

REŽIM SKIPU A VYHLADÁVANIA

1. V režime prehrávania alebo pozastavenia klepnite na tlačidlo Trasa nadol, Trasa hore (A10, A11, B8, B18), aby ste prešli na nasledujúcu skladbu alebo sa vrátili na začiatok aktuálnej stopy.
2. Počas prehrávania stlačte a podržte tlačidlo Track Down, Track Up (A10, A11, B8, B18) a vyhľadajte v rámci aktuálnej skladby počuteľné vysokorychlostné prehrávanie.

RÔZNE REŽIMY PLAY (LEN DIALKOVÉ OVLÁDANIE)

Opakovaným stlačením tlačidla REPEAT (B6) na diaľkovom ovládači môžete zvoliť rôzne režimy prehrávania pri prehrávaní CD.

Pri prehrávaní CD sú režimy prehrávania zobrazené nižšie:

opakovať
Opakujte všetko
normálne

REPEAT 1 - prehrávaná skladba a bude sa opakovať nepretržite. Opakujte jednu ikonu Na displeji sa zobrazí „REPEAT 1“.
REPEAT ALL - všetky skladby sa budú opakovať nepretržite. Na displeji sa zobrazí ikona „REPEAT ALL“.

NÁHODNÉ PREHRÁVANIE

Ak stlačíte tlačidlo RANDOM (B20) tri, na LCD displeji sa rozsvieti indikátor „ RDM “. Skladby na disku je možné prehrávať v náhodnom poradí automaticky.

Zrušenie náhodného prehrávania:

Znova stlačte tlačidlo RANDOM (B20). Indikátor „ RDM “ zmizne.

POZNAMKA:

Ak počas náhodného prehrávania stlačíte tlačidlo, môžete sa presunúť na skladbu vybranú náhodnou operáciou. Na druhej strane vám tlačidlo neumožňuje prejsť na predchádzajúcu skladbu. Bude umiestnený začiatok prehrávanej skladby.
Pri náhodnom prehrávaní jednotka vyberie a prehra skladby automaticky. (Poradie skladieb nie je možné zvoliť.)

ÚVODNÉ PREHRÁVANIE

1. Stlačte INTRO (B20) na diaľkovom ovládači. Na displeji sa zobrazí indikátor „INTRO (B20)“.
Prístroj prehra prvých 10 sekúnd každej stopy.
2. Opätovným stlačením tlačidla INTRO (B20) na diaľkovom ovládači obnovíte normálne prehrávanie.

PREHRÁVANIE PROGRAMOVANIA SEKVENCE TRACK

Táto funkcia umožňuje prehrávanie skladieb v naprogramovanej sekvencii. Užívateľ môže naprogramovať až 32 skladieb v režime CD alebo 99 skladieb vo formáte MP3 v ľubovoľnom formáte

POZNAMKA: Program je možné nastaviť iba v režime STOP.

1. Klepnite na PROG . Tlačidlo (B3) na diaľkovom ovládači zobrazuje na displeji číslo programu „1“, na displeji LCD bliká ikona „ PROG “ a číslo skladby CD „-“ . (Poznámka: Ak programujete prvýkrát, na displeji sa zobrazí „1“) .
 2. Požadovanú skladbu vyberte pomocou funkcie Track Down, Track up (A10, A11, B8, B18) na hlavnej jednotke alebo na diaľkovom ovládači. Na displeji sa zobrazí číslo skladby.
 3. Klepnite na PROG . Tlačidlo (B3) na hlavnej jednotke alebo na diaľkovom ovládači na uloženie zvolenej skladby do pamäte, nasledujúce číslo programu postúpi o jednu (tj. „2“) na LCD displeji.
 4. Opakovaním krokov 2 až 3 uložte do pamäte ďalšie skladby. Môžete uložiť až 32 skladieb CD, 99 skladieb MP3. Po naprogramovaní stôp sa na displeji zobrazia „FUL“ .
 5. Klepnite na PLAY / PAUSE (A9, B22) . na hlavnej jednotke alebo na diaľkovom ovládači na spustenie prehrávania CD v naprogramovanej sekvencii.
 6. V prípade potreby stlačte tlačidlo REPEAT (B6) na diaľkovom ovládači a vyberte možnosť Repeat 1 / All.
 7. Na zastavenie prehrávania stlačte tlačidlo STOP (A8, B25) na hlavnej jednotke alebo na diaľkovom ovládači.
- Ak chcete zrušiť prehrávanie programu, stlačte dvakrát tlačidlo STOP (A8, B25) na hlavnej jednotke alebo na diaľkovom ovládači, z displeja zmizne ikona „ PROG “ .

PREVÁDZKA BLUETOOTH

Stlačením tlačidla POWER / STANDBY (A1, B1) zapnite jednotku a postupujte podľa pokynov uvedených nižšie pre pripojenie cez Bluetooth.

PAIRING (Prepojenie) BLUETOOTH POVOLENÝ mobilný telefón ALEBO INÉ ZARIADENIE POVOLENÉ BLUETOOTH do zariadenia Ak CR 1173 ešte nikdy nebol spárovaný so zariadením Bluetooth. Ak chcete prepojiť zariadenie so zariadením Bluetooth, musíte postupovať podľa pokynov na párovanie uvedených nižšie.

1. Jednotku zapnite stlačením tlačidla POWER / STANDBY (A1, B1) na hlavnej jednotke alebo na diaľkovom ovládači.
2. Klepnutím na tlačidlo ZDROJ (A1, B11) na hlavnom alebo diaľkovom ovládači vyberte režim Bluetooth, na displeji sa zobrazí a bliká správa „ bt “ Bluetooth .
3. Ak CR 1173 nebol nikdy spárovaný so zariadením Bluetooth predtým alebo nedokáže nájsť posledne spárované zariadenie, blikajúce „ bt “ na LCD displeji indikuje, že XXX je v režime vyhľadávania. Ak chcete prepojiť zariadenie so zariadením Bluetooth, musíte postupovať podľa pokynov na párovanie uvedených nižšie.
- Zapnite funkciu Bluetooth zariadenia Bluetooth a povoľte funkciu vyhľadávania alebo skenovania na nájdenie modelu CR 1173.
- Keď sa na obrazovke vášho zariadenia zobrazí, vyberte zo zoznamu zariadení položku „CR 1173“ . V prípade potreby zadajte prístupový kód „0000“ , aby ste CR 1173 spárovali (prepojili) so svojim zariadením.
4. Po úspešnom spárovaní (prepájaní) sa displej zmení tak, aby sa neustále zobrazoval „ bt “ , na displeji sa zobrazí aj ikona Bluetooth. Môžete začať prehrávať hudbu z vášho zariadenia Bluetooth bezdrôtovo do reproduktora.
5. Po vybere obľúbenej skladby stlačte tlačidlo PLAY PAUSE (B22, A9) na jednotke alebo na diaľkovom ovládači, aby ste prehrávali alebo pozastavili skladbu.
6. Stlačením ovládača hlasitosti na hlavnej jednotke alebo diaľkovom ovládači nastavte požadovanú úroveň hlasitosti.
7. Stlačením tlačidla Track Down, Track up (B8, B9) na hlavnej jednotke alebo diaľkovom ovládači prejdete na predchádzajúcu alebo nasledujúcu skladbu.
8. Ak chcete zariadenie spárovať s iným zariadením s podporou Bluetooth, stlačte a podržte tlačidlo PAIR (B10) na 3 sekundy alebo vypnite funkciu Bluetooth zariadenia, ktoré je práve spárované so zariadením, a potom zopakujte krok 3 vyššie.

Poznámky:

- 1.) Informácie o prevádzke Bluetooth nájdete v príručke k mobilnému telefónu, tablet PC, počítaču alebo iným zariadeniam s podporou Bluetooth, pretože sa môžu líšiť od modelu k modelu.
- 2.) Ak vaše zariadenie s podporou Bluetooth nepodporuje profil A2DP, nebude prehrávať hudbu cez reproduktor, aj keď je spárovaný (prepojený).
- 3.) Ak spárujete (prepájate) svoj počítač s jednotkou pomocou Bluetooth, možno budete musieť nastaviť reproduktor ako predvolené zvukové zariadenie vášho počítača.

PREVÁDZKA POMOCNÉHO VSTUPU

Táto jednotka je vybavená vstupným konektorom pre zvukový signál na pripojenie externých zvukových zariadení, ako sú MP3 prehrávače, digitálne zvukové zariadenia a ich počúvanie cez reproduktory tohto zariadenia.

1. Používajte zvukový kábel (nie je súčasťou dodávky) s jedným 3,5 mm stereofónnym konektorom na každom konci kábla.
2. Jeden koniec zapojte do AUX IN JACK (A5) na hlavnej jednotke a druhý koniec kábla do konektora Line-out Jack alebo Headphone na externom zvukovom zariadení.
3. Zapnite zariadenie a externé zvukové zariadenie.
4. Klepnite na tlačidlo ZDROJ (A1, B11) na hlavnom alebo diaľkovom ovládači a vyberte režim AUX. Ikona „AUX“ sa rozsvieti, na displeji sa zobrazí správa „AUX“ .
5. Úroveň hlasitosti sa teraz dá ovládať prostredníctvom hlavnej jednotky. Všetky ostatné funkcie pomocného zariadenia ovládajte obvyklým spôsobom.

Poznámka:

· Ak pripojíte toto zariadenie k zásuvke Line-Out na externom zariadení, stačí iba nastaviť ovládanie hlasitosti tohto zariadenia. Ak pripojíte konektor slúchadiel k externému zariadeniu, možno bude potrebné upraviť ovládače hlasitosti externého zariadenia aj tohto zariadenia, aby sa dosiahlo požadované nastavenie hlasitosti.

PRESET EQ (LEN DIALKOVÉ OVLÁDANIE)

Táto jednotka poskytuje 4 rôzne režimy ekvalizéra na vylepšenie zážitku z počúvania. Požadovaný efekt môžete zvoliť opakovaným stlačením tlačidla EQ (B5) na diaľkovom ovládači v nasledujúcom poradí:

ROCK POP JAZZ CLASSIC OFF

TLAČIDLO MUTE (LEN DIALKOVÉ OVLÁDANIE)

- Stlačením tlačidla MUTE (B21) na diaľkovom ovládaní dočasne vypnete zvuk z reproduktora. Na displeji sa zobrazí „V 00“.
- Opätovným stlačením tlačidla MUTE (B21) alebo VOLUME CONTROL (B23, A12) obnovíte normálne prehrávanie reproduktorov

OPERÁCIE SLEEP (LEN DIALKOVÉ OVLÁDANIE)

Časovač vypnutia umožňuje vypnúť prístroj po dosiahnutí určeného času.

1. Ak chcete aktivovať časovač vypnutia, zapnite prístroj a klepnite na tlačidlo ZDROJ (A1, B11), aby ste vybrali FM rádio, CD, USB, Bluetooth alebo počúvanie hudby cez AUX IN.
2. Klepnite na tlačidlo SLEEP (B14) na diaľkovom ovládači, na displeji sa zobrazí ikona režimu spánku „SLEEP“.
3. Opakovaným ťuknutím na tlačidlo SLEEP (B14) vyberte čas spánku. Jednotka sa vypne po 10, 20, 30, 40, 50, 60, 70, 80 alebo 90 minútach. Po výbere počkajte 3 sekundy, kým jednotka potvrdí výber, jednotka bude hrať zvolenú dobu a potom sa automaticky vypne.
4. Ak chcete zrušiť časovač vypnutia, opakovane ťuknite na tlačidlo SLEEP (B14), kým sa na displeji nezobrazí „OFF“, na displeji zmizne ikona „SLEEP“.
5. Ak chcete prístroj vypnúť pred zvoleným časom, kedykoľvek stlačte tlačidlo POWER / STANDBY (A1, B1).

Poznámky:

- 1.) Ak chcete skontrolovať zostávajúci čas spánku, klepnite raz na tlačidlo SLEEP (B14).
- 2.) Ak zaspávate hudbu z externého zariadenia pripojeného k vstupu AUX, časovač vypnutia vypne napájanie tohto systému, ale nevypne externé zariadenie

POUŽITIE SLÚCHADLOV (NEZAHRNUTÉ)

Zasunutím konektora vašich slúchadiel do stereofónneho konektora pre slúchadlá (A17) budete môcť súkromne počúvať hudbu na CD alebo rádiu. Pri používaní slúchadiel sa vstavané reproduktory odpoja.

PREČÍTAJTE SI TOTO DÔLEŽITÉ INFORMÁCIE PRED POUŽITÍM VÁŠCH SLÚCHADLOV

1. Vyhňte sa predĺženej hre pri veľmi vysokej hlasitosti, pretože by to mohlo zhoršiť váš sluch.
2. Ak máte uši zvonenie, znížte hlasitosť alebo vypnite prístroj.
3. Udržujte hlasitosť na rozumnej úrovni, aj keď je vaša náhlavná súprava pod holým nebom navrhnutá tak, aby vám umožňovala počuť vonkajšie zvuky. Upozorňujeme, že príliš vysoká hlasitosť môže stále blokovať vonkajšie zvuky.

NAVRÁTENIE

Ak systém nereaguje alebo má nepravidelnú prevádzku, možno ste zažili elektrostatický výboj (ESD) alebo prúdový výboj, ktorý spôsobil automatické vypnutie interného počítača. Ak k tomu dôjde, odpojte sieťový kábel od zdroja napájania, počkajte 60 sekúnd a potom znova zapojte sieťový kábel k zdroju napájania. Jednotka sa vynuluje, musíte nastaviť hodiny, budík a predvolené rozhlasové kanály.

STAROSTLIVOSŤ A ÚDRŽBA

1. Nevystavujte jednotku nadmernej sile, nárazom, prachu ani extrémnym teplotám (nad 40 ° C).
2. Neporušujte vnútorné komponenty jednotky.
3. Vyčistite jednotku suchou handričkou. Rozpušťadlo alebo čistiaci prostriedok by sa nikdy nemali používať.
4. Nenechávajte jednotku na priamom slnku alebo na horúcich, vlhkých alebo prašných miestach.
5. Udržujte jednotku mimo dosahu vykurovacích zariadení a zdrojov elektrického hluku, ako sú žiarivky alebo motory.
6. Ak počas prehrávania CD dôjde k vypadkom alebo prerušeniam hudby alebo ak sa disk CD vôbec neprehrá, jeho spodný povrch môže vyžadovať čistenie. Pred prehrávaním utrite disk zo stredu smerom von pomocou jemnej mäkkej handričky.

ČISTENIE JEDNOTKY

- Aby ste predišli riziku požiaru alebo úrazu elektrickým prúdom, pri čistení odpojte zariadenie od zdroja striedavého prúdu.
 - Povrchová úprava jednotky sa môže čistiť prachovou handrou a ošetrovať ako iný nábytok. Pri čistení a utieraní plastových častí postupujte opatrne.
 - Ak je skrinka zaprášená, utrite ju mäkkou suchou handrou. Na skrinku nepoužívajte žiadne vosky ani poľské spreje.
 - Ak je predný panel zašpinený alebo rozmazaný odtlačkami prstov, môžete ho vyčistiť mäkkou handričkou mierne navlhčenou slabým roztokom mydla a vody. Nikdy nepoužívajte drsné utierky ani leštiadla, pretože by mohli poškodiť povrchovú úpravu vašej jednotky.
- UPOZORNENIE: Počas čistenia nikdy nedovoľte, aby sa do jednotky dostala voda alebo iné tekutiny

Technické dáta:

Požiadavky na napájanie:

Hlavná jednotka: 230 V ~ 50 Hz

Diaľkové ovládanie: CR2025 3V

Prehrávač DISC

Systém: Kompaktný disk a digitálny audio systém Vlastnosti laserovej diódy

Trvanie emisie: nepretržité

Laserový výstup: menej ako 44,6 mW (Tento výstup predstavuje meranie hodnoty vo vzdialenosti 200 mm od povrchu objektívu objektívu)

optického snímacieho bloku so 7 mm clonou.)
Frekvenčný rozsah
Časť tunera FM:
Rozsah ladenia: 87,5 MHz - 108,0 MHz (krok 50 kHz.)
Výkon reproduktora: 2x 5 W
Max: 28W



Starostlivosť o životné prostredie. Kartónový obal odovzdajte do zberných surovín. Polyetylénové vrecká (PE) vyhodte do kontajnera na plast. Ospotrebič spotrebič odovzdajte na príslušný zberný dvor, nebezpečné látky spotrebiča môžu predstavovať riziko pre životné prostredie. Elektrospotrebič odstráňte tak, aby nedochádzalo k jeho ďalšiemu použitiu. Ak sa v spotrebiči nachádzajú batérie, vyberte ich a odovzdajte ich na zberné miesto osobitne. Spotrebič nevyhadzujte do kontajnera na komunálny odpad!

(IT) ITALIANO

CONDIZIONI DI SICUREZZA ISTRUZIONI IMPORTANTI SULLA SICUREZZA DELL'USO LEGGERE ATTENTAMENTE E CONSERVARE PER FUTURE RIFERIMENTI

Le condizioni di garanzia sono diverse se il dispositivo viene utilizzato per scopi commerciali.

1. Prima di utilizzare il prodotto, leggere attentamente e rispettare sempre le seguenti istruzioni. Il produttore non è responsabile per eventuali danni dovuti a qualsiasi uso improprio.
2. Il prodotto deve essere utilizzato solo al chiuso. Non utilizzare il prodotto per scopi non compatibili con la sua applicazione.
3. La tensione applicabile è 230 V, ~ 50 Hz. Per motivi di sicurezza non è opportuno collegare più dispositivi a una presa di corrente.
4. si prega di essere prudenti quando si utilizza in giro per i bambini. Non lasciare che i bambini giochino con il prodotto. Non permettere a bambini o persone che non conoscono il dispositivo di usarlo senza supervisione.
5. **AVVERTENZA:** questo dispositivo può essere utilizzato da bambini di età superiore agli 8 anni e persone con ridotte capacità fisiche, sensoriali o mentali o persone senza esperienza o conoscenza del dispositivo, solo sotto la supervisione di una persona responsabile della loro sicurezza, o se sono stati istruiti sull'uso sicuro del dispositivo e sono consapevoli dei pericoli associati al suo funzionamento. I bambini non dovrebbero giocare con il dispositivo. La pulizia e la manutenzione del dispositivo non devono essere eseguite dai bambini, a meno che non abbiano superato gli 8 anni di età e queste attività siano svolte sotto supervisione.
6. Dopo aver terminato di utilizzare il prodotto, ricordarsi sempre di rimuovere delicatamente la spina dalla presa di corrente tenendo la presa con la mano. Non tirare mai il cavo di alimentazione !!!
7. Non mettere mai il cavo di alimentazione, la spina o l'intero dispositivo nell'acqua. Non esporre mai il prodotto a condizioni atmosferiche quali luce diretta del sole o pioggia, ecc. Non utilizzare mai il prodotto in condizioni di umidità.
8. Controllare periodicamente le condizioni del cavo di alimentazione. Se il cavo di alimentazione è danneggiato, il prodotto deve essere girato in un luogo di assistenza professionale da sostituire per evitare situazioni pericolose.
9. Non utilizzare mai il prodotto con un cavo di alimentazione danneggiato o se è stato fatto cadere o danneggiato in altro modo o se non funziona correttamente. Non tentare di riparare da soli il prodotto difettoso perché può provocare scosse elettriche. Trasformare sempre il dispositivo danneggiato in un luogo di assistenza professionale per ripararlo. Tutte le riparazioni possono essere eseguite solo da professionisti autorizzati. La riparazione eseguita in modo errato può causare situazioni pericolose per l'utente.
10. Non mettere mai il prodotto sopra o vicino alle superfici calde o calde o agli elettrodomestici della cucina come il forno elettrico o il bruciatore a gas.
11. Non utilizzare mai il prodotto vicino a combustibili.
12. Non lasciare che il cavo penda dal bordo del contatore o tocchi superfici calde.

13. Non lasciare mai il prodotto collegato alla fonte di alimentazione senza supervisione. Anche quando l'uso viene interrotto per un breve periodo, spegnerlo dalla rete, scollegare l'alimentazione.
14. Per fornire una protezione aggiuntiva, si consiglia di installare un dispositivo di corrente residua (RCD) nel circuito di potenza, con una corrente residua non superiore a 30 mA. Contattare l'elettricista professionista in questa materia.
15. Evita di bagnare la radio.
16. La radio può essere pulita solo con un panno asciutto. Non usare acqua o detergente.
17. La radio dovrebbe essere tenuta in una stanza asciutta.

DISPOSITIVO:

1. ACCENSIONE / SPEGNIMENTO INDICATORE DI STANDBY 2.SOURCE 3. PULSANTE IMPOSTAZIONE / MEMORIA TEMPI
4. CANALE SINTONIZZATORE - 5.AUX IN 6.USB 7.CANALE SINTONIZZATORE +
8. PULSANTE STOP CD / PULSANTE COPPIA BLUETOOTH
9. PULSANTE DI RICERCA AUTOMATICA CD / BLUETOOTH PLAY / PAUSE / RADIO
10. CD / BLUETOOTH SKIP PRECEDENTE / TUNE - PULSANTE
11. CD / BLUETOOTH SKIP NEXT / TUNE + PULSANTE
12. MANOPOLA CONTROLLO VOLUME 13. DISPLAY LCD
14. PULSANTE APRI / CHIUDI PORTA CD 15. PORTA CD 16. ANTENNA FM
17. PRESA PER CUFFIE 18. CONNETTORE ALTOPARLANTE DESTRA 19. CONNETTORE ALTOPARLANTE SINISTRA
20. ADATTATORE DI ALIMENTAZIONE CC 21. PORTA SCOMPARTO

TELECOMANDO:

1. SPIA ACCENSIONE / SPEGNIMENTO INDICATORE 2. PULSANTE DI RICERCA DIRETTA DISCESA
3. PROG . PULSANTE 4. PULSANTE CD / USB DOWN DOWN O TIME DOWN, PULSANTE DOWN DOWN.
5. PULSANTE EQUALIZZATORE 6. PULSANTE RIPETIZIONE 7. PULSANTE X-BASSO 8. PULSANTE GIÙ
9. PULSANTE DI RICERCA AUTOMATICA CD / BLUETOOTH PLAY / PAUSE / RADIO
10. CD / BLUETOOTH SKIP PRECEDENTE / TUNE - PULSANTE
11. CD / BLUETOOTH SKIP NEXT / TUNE + PULSANTE
12. SET DI BLOCCO 13. DISPLAY LCD 14. PULSANTE APERTURA / CHIUSURA PORTA CD
15. PORTA CD 16. ANTENNA FM 17. PRESA CUFFIA
18. CONNETTORE ALTOPARLANTE DESTRA 19. CONNETTORE ALTOPARLANTE SINISTRO
20. PULSANTE CASUALE E PULSANTE INTRO 21. PORTA SCOMPARTO BATTERIA
22. BT PULSANTE PLAY / PAUSE 23. VOLUME SU UN PULSANTE GIÙ
24. PULSANTE CD PLAY / PAUSE 25. PULSANTE STOP CD

COLLEGAMENTI DEL SISTEMA

Assicurarsi di scollegare il cavo di alimentazione CA dalla presa a muro prima di effettuare qualsiasi collegamento.

Collegamento all'alimentazione CA.

Collegare il cavo di alimentazione CA a una presa CA disponibile da 230 V ~ 50 Hz. Assicurarsi che la spina sia inserita correttamente nella presa CA.

Installazione delle batterie per il backup della batteria

1. Rimuovere lo sportello del vano batteria situato nella parte inferiore dell'unità principale.
2. Seguire le indicazioni di polarità all'interno del vano batteria e inserire 2 batterie AAA (on include) nei due slot delle batterie situati nel vano batteria.
3. Sostituire lo sportello della batteria.

APPUNTI:

- Quando si sostituiscono le batterie di backup, non scollegare il cavo di alimentazione CA dalla presa a muro. In tal caso, tutte le impostazioni di data e ora correnti verranno cancellate.
- Se l'unità verrà lasciata scollegata per un lungo periodo di tempo, rimuovere le batterie per evitare danni che potrebbero verificarsi se le batterie perdono e causano corrosione.

Telecomando

Il telecomando funziona con una batteria al litio CR2025 da 3 V (inclusa nel telecomando). Per attivare il telecomando, rimuovere la linguetta dell'isolante inserita nel vano batteria.

Se il funzionamento a distanza diventa intermittente o insoddisfacente, sostituire la batteria originale con una nuova batteria al litio CR2025 3V.

1.Premere verso il basso sul coperchio del vano, estrarre il portabatteria dalla custodia del telecomando.

2. Sostituire la batteria assicurandosi che la batteria sia installata correttamente. Il telecomando non funzionerà se la batteria è installata con la polarità errata.

ATTENZIONE:

- 1.) Pericolo di esplosione se la batteria viene sostituita in modo errato.
- 2.) Sostituire solo con una batteria dello stesso tipo o equivalente.
- 3.) Reinserire il portabatteria nell'apposito slot.

ACCENSIONE / SPEGNIMENTO DELL'UNITÀ

1. In modalità Off (standby), toccare il pulsante POWER / STANDBY (A1, B1) sull'unità principale o sul telecomando per accendere l'unità. L'unità si accenderà, l'icona dell'ultima modalità di ingresso selezionata verrà visualizzata sul display LCD.

2. Per spegnere l'unità (standby), toccare nuovamente il pulsante di accensione / STANDBY (A1, B1) sull'unità principale o sul telecomando. Il DISPLAY LCD si oscura e mostra l'ora corrente. L'indicatore della modalità standby si illumina.

IMPOSTAZIONE DELL'OROLOGIO

Dopo aver collegato l'alimentazione CA, apparirà "00:00" e inizierà a lampeggiare sul display LCD.

1. In modalità Spegnimento (Standby), tenere premuto il pulsante CLOCK SET (B13) sul telecomando o sull'unità principale, sul display verrà visualizzato il formato 24 ORE "24H".
2. Toccare il pulsante Precedente / Successivo (B4, B18) sul telecomando o sull'unità principale per selezionare il formato 24 ore, se necessario. Altrimenti, premere il pulsante CLOCK SET (B12) per confermare il formato dell'orologio a 12 ore e accedere alla modalità di impostazione dell'orologio, le cifre dell'ora lampeggiano.
3. Toccare il pulsante Precedente / Successivo (B4, B18) sul telecomando o sull'unità principale per regolare l'ora. Tenere premuto il pulsante per un'impostazione di avanzamento / riavvolgimento rapido.
Nota: assicurarsi che l'ora sia impostata in modo che l'indicatore PM sia visualizzato correttamente.
4. Premere il pulsante CLOCK SET (B12) sul telecomando per confermare l'impostazione dell'ora, le cifre dei minuti lampeggeranno per richiedere l'immissione.
5. Toccare il pulsante Precedente / Successivo (B4, B18) sul telecomando o sull'unità principale per regolare i minuti. Tenere premuto il pulsante per un'impostazione di avanzamento / riavvolgimento rapido.
6. Premere nuovamente il pulsante CLOCK SET (B12) sul telecomando per completare l'impostazione.

NOTA: Le preselezioni dell'orologio e della stazione radio dovranno essere ripristinate se l'alimentazione viene interrotta o in caso di interruzione di corrente. Apparirà "00:00" e inizierà a lampeggiare sul display LCD per avvisare che l'alimentazione è stata interrotta e che l'orologio dovrà essere ripristinato. Seguire i passaggi 1-6 precedenti per ripristinare l'orologio.

CONTROLLO DELL'OROLOGIO

L'unità mostrerà l'ora corrente in modalità standby. Per controllare l'ora corrente in modalità ACCENSIONE, tenere premuto il pulsante CLOCK SET (B12) sull'unità principale o sul telecomando per 3 secondi, l'ora corrente verrà visualizzata per 5 secondi e quindi tornare alla schermata precedente.

FUNZIONAMENTO ALLARME (SOLO TELECOMANDO)

IMPOSTAZIONE DELL'OROLOGIO DI ALLARME

Questa funzione consente al sistema di accendersi automaticamente e svegliarti utilizzando un segnale acustico, il CD, USB o BU la RADIO.

1. Premere e tenere premuto il pulsante TIMER (B13) sul telecomando fino a quando il display mostra "On" e le cifre dell'ora lampeggiano.
2. Premere i pulsanti Precedente / Successivo (B4, B18) per regolare le cifre dell'ora, quindi premere il pulsante TIMER per confermare. Le cifre dei minuti lampeggeranno sul display.
3. Premere i pulsanti Precedente / Successivo (B4, B18) per regolare le cifre dei minuti, quindi premere il pulsante TIMER (B13) per confermare.
4. Quando è impostato il pulsante Precedente / Successivo (B4, B18) su Orologio programmato, il display mostrerà "OFF" e le cifre dell'ora lampeggeranno.
5. Premere i pulsanti Precedente / Successivo (B4, B18) per regolare le cifre dell'ora, quindi premere il pulsante TIMER (B13) per confermare. Le cifre dei minuti lampeggeranno sul display.
6. Premere i pulsanti Precedente / Successivo (B4, B18) sul telecomando per regolare le cifre dei minuti, quindi premere il pulsante TIMER per confermare.
7. Premere i pulsanti per selezionare la modalità CD, USB, BT o FM, quindi premere il pulsante TIMER (B13) per confermare. Il display mostrerà "VOL #" e lampeggerà.
8. Premere i pulsanti Precedente / Successivo (B4, B18) per regolare il volume, quindi premere il pulsante TIMER per confermare.

8. Premere il pulsante TIMER (B13) per selezionare "Timer attivo" e il timer è ora impostato.
9. In modalità standby, l'icona del timer apparirà sul display per indicare che il timer è attivo.

NOTA:

- 1.) Se è selezionato "Wake to CD, USB" ma non è stato inserito un CD, la sveglia passerà automaticamente alla sveglia acustica quando viene raggiunta l'ora di sveglia.
- 2.) Per "Wake to Radio", il sistema passerà automaticamente all'ultima stazione radio FM ascoltata prima di spegnersi.
- 3.) L'allarme di crescendo aumenterà al livello di volume impostato.

FUNZIONE DI ALLARME ATTIVO / DISATTIVO

1. Per attivare l'ALLARME, toccare una volta il pulsante TIMER (B13) e l'icona della sveglia verrà visualizzata sul display LCD.

2. Annullare la funzione ALARM toccando nuovamente il pulsante TIMER (B13). L'icona della sveglia si spegnerà.

Wake to Radio, CD, USB o BUZZER Alarm

· Quando viene raggiunta l'ora della sveglia, la sveglia con segnale acustico CD, USB o radio suonerà per 60 minuti, quindi si spegnerà e si ripristinerà per il giorno successivo (senza premere il pulsante snooze).

· Per interrompere la sveglia immediatamente dopo che suona, toccare una volta il pulsante POWER / STANDBY (A1, B1) sul telecomando o sull'unità principale. Si ripristina per il giorno seguente.

· Per annullare l'allarme del giorno seguente, toccare una volta il pulsante TIMER (B13), l'icona ALARM si spegne.

FUNZIONAMENTO RADIO

1. Toccare il pulsante POWER / STANDBY (A1, B1) sull'unità principale o sul telecomando per accendere l'unità.
2. Toccare il pulsante SOURCE (A1, B11) sull'unità principale o sul telecomando per selezionare la modalità FM, la frequenza radio FM appare sul display.
3. Per sintonizzarsi manualmente su una stazione radio specifica, toccare ripetutamente Track down, Track up (A10, A11, B8, B18) sull'unità principale o sul telecomando. Utilizzare il metodo di sintonizzazione manuale per sintonizzare le stazioni più deboli che vengono escluse durante la sintonizzazione automatica.
4. Per sintonizzarsi automaticamente sulla successiva stazione radio disponibile, tenere premuto il pulsante Track Down (A10, A11, B8, B18) sull'unità principale o sul telecomando per 1-2 secondi fino a quando la lettura della frequenza sul display inizia a scansionare e quindi rilasciare il pulsante. Il sintonizzatore interromperà la scansione quando riceve la stazione di trasmissione successiva con un'intensità del

segnale adeguata.

5. Premere il controllo del volume sull'unità principale o sul telecomando per regolare il controllo del volume al livello di volume desiderato.

Ricezione stereo FM / FM

Quando si ascolta la radio FM, premere il pulsante ST/ MONO (B16) sul telecomando per passare dalla modalità stereo alla modalità mono. L'icona stereo FM "ST" apparirà sul display se l'unità è in modalità stereo. È preferibile ricevere il programma in mono quando si riceve una stazione debole.

CONSIGLI PER LA MIGLIORE RICEVIMENTO:

FM - Per una migliore ricezione FM, l'antenna a filo FM situata sul retro dell'unità dovrebbe essere completamente scartato ed esteso.

NOTA: la sintonizzazione automatica dipende dalla potenza del segnale della stazione di trasmissione, pertanto è possibile saltare le stazioni deboli. È possibile sintonizzarsi manualmente per trovare le stazioni deboli se una stazione viene saltata. Con segnali forti, il sintonizzatore potrebbe arrestarsi prima di raggiungere la frequenza di trasmissione effettiva, quindi potrebbe essere necessario sintonizzarsi manualmente per la migliore ricezione.

STAZIONI RADIO PRESET

1. Premere il pulsante POWER / STANDBY (A1, B1) sull'unità principale o sul telecomando per accendere l'unità.
2. Toccare il pulsante SOURCE (A1, B11) sull'unità principale o sul telecomando per selezionare la modalità radio FM.
3. Tenere premuto toccare il pulsante Traccia giù, Traccia su (A10, A11, B8, B18) sull'unità principale o sul telecomando fino a quando la lettura della frequenza sul display inizia a scansionare e quindi rilasciare il pulsante per la ricerca automatica e programmare i canali preimpostati. "PROG" appare sul display e lampeggia. La ricerca automatica e il programma si fermeranno a P01 al termine della scansione, "PROG" viene visualizzato sul display in modo fisso.
- Nota: se i canali memorizzati durante la ricerca automatica e la preselezione programmata non sono quelli che si desidera salvare, utilizzare il metodo seguente per salvare manualmente le preselezioni radio.
4. Sintonizzarsi sulla stazione radio desiderata tramite il metodo di sintonizzazione "manuale" o "automaticamente".
5. Toccare PROG . (B3) sul telecomando, il successivo numero di memoria di preselezione disponibile e un PROG lampeggiante . L'icona (B3) verrà visualizzata sul display LCD. (Nota: "P01" verrà visualizzato sul display se si sta programmando la preselezione per la prima volta)
6. Toccare PRE. Tasto (B15, B19) sull'unità principale o sul telecomando per selezionare il numero di preselezione a cui si desidera assegnare la stazione.
7. Toccare PROG . (B3) Pulsante per confermare l'impostazione.
8. Ripetere i precedenti passaggi da 4 a 8 per preselezionare fino a 30 stazioni FM.

RICHIAMO DEI CANALI DI MEMORIA PRESELEZIONATI

In modalità radio, richiamare i canali preimpostati premendo PRE. Pulsante (B15, B19) sul telecomando ripetutamente.

FUNZIONAMENTO DEL LETTORE CD

Nota:

1. Questo lettore CD non riprodurrà solo CD commerciali, ma anche dischi CD-R / RW, MP3 autocompilati. Non tentare di riprodurre CD-ROM, CDI, VCD , DVD o CD di computer.
2. MP3 è una forma di compressione. È un acronimo che sta per MPEG Audio Layer 3. MP3 è un tipo di codice audio che viene elaborato da una compressione significativa dalla sorgente audio originale con una perdita minima nella qualità del suono.
- Questo sistema supporta file MPEG 1 Layer 3 e VBR .
- Durante la riproduzione di file VBR , il contatore del tempo sul display potrebbe differire dal tempo di riproduzione effettivo.
- Il bitrate supportato da MP3 è 32 ~ 320 kbps

LEGGERE QUESTE IMPORTANTI INFORMAZIONI:

I meccanismi CD utilizzati in dispositivi come questo sono progettati per leggere tutti i CD commerciali. Leggerà anche CD-R / CD-RW, dischi MP3 autocompilati, ma potrebbero essere necessari fino a 10 secondi per l'avvio della riproduzione effettiva. Se la riproduzione non si avvia, è probabilmente dovuto alla qualità del CD-R / RW , del disco MP3 e / o alla compatibilità del software di compilazione del CD. Il produttore non è responsabile per la qualità di riproduzione di dischi CD-R / RW , MP3.

Non applicare un'etichetta o un sigillo su entrambi i lati del disco CD-R / RW, MP3. Potrebbe causare un malfunzionamento.

RIPRODUZIONE DI UN CD

1. Premere il pulsante POWER / STANDBY (A1, B1) sull'unità principale o sul telecomando per accendere l'unità.
2. Toccare il pulsante SOURCE (A1, B11) sul telecomando o sull'unità principale per selezionare la modalità CD, quindi premere Apri il vano disco.
3. Collocare un CD audio sul perno centrale con il lato dell'etichetta rivolto verso la PORTA CD. Chiudere il vano disco.
4. L'unità inizia a leggere il disco, "—" appare sul display e lampeggia. Dopo alcuni secondi, il numero totale di tracce mostra un secondo e quindi il tempo totale del CD verrà visualizzato sul DISPLAY LCD.
5. Premere il pulsante PLAY / PAUSE (A9, B22) sull'unità principale o sul telecomando, l'indicatore PLAY viene visualizzato sul display, la riproduzione del CD inizierà dalla prima traccia.
6. Premere il controllo del volume Regolare il volume. sull'unità principale o sul telecomando per regolare il livello del volume desiderato.
7. Per mettere in pausa la riproduzione, premere il pulsante PLAY / PAUSE (A9, B22) sull'unità principale o sul telecomando. Il tempo della traccia verrà messo in pausa e l'indicatore PAUSE verrà visualizzato sul display. Per riprendere la riproduzione, premere di nuovo il tasto CD PLAY / PAUSE (A9, B22).
8. Puoi scegliere di riprodurre direttamente la tua traccia preferita premendo Track Down, Track up (A10, A11, B8, B18). Il display LCD indicherà il numero di traccia corretto selezionato.
9. Per individuare una sezione particolare all'interno di una traccia, tenere premuto il pulsante Traccia giù, Traccia su (A10, A11, B8, B18) fino a quando non viene trovata la sezione. Rilascia il pulsante per continuare a riprodurre la selezione.
10. Per interrompere la riproduzione, premere il pulsante STOP (A8, B25).

PROCEDURA PER LA RIPRODUZIONE DI DISCO Mp3

Per riprodurre CD-R / RW, Mp3

1. Premere il pulsante SOURCE (A1, B11) sul telecomando e caricare un disco Mp3.
 2. Premere il tasto FOLDER (B15, B19) per selezionare la cartella di riproduzione desiderata.
 3. Selezionare il file desiderato da riprodurre premendo il pulsante Track Down, Track up (A10, A11, B8, B18).
 4. Premere PLAY / PAUSE (A9, B22). La riproduzione avrà inizio e verrà visualizzato il nome del file.
- s In caso di riproduzione con la modalità cartella attiva, premere il pulsante FOLDER (B15, B19) e la cartella può essere selezionata anche se è in modalità riproduzione / pausa. Continuerà la modalità di riproduzione / pausa nella prima traccia della cartella selezionata.

PER RIPRODURRE LETTORE USB / MP3 CON CARTELLA

1. Premere ripetutamente il pulsante SOURCE (A1, B11) sul telecomando o il pulsante SOURCE (A1, B11) sull'unità principale per selezionare la funzione USB. Collegare il dispositivo di memoria USB che ha file in formato MP3 sull'unità. Quando la memoria USB è collegata all'unità principale, verranno visualizzate le informazioni sul dispositivo.
2. Premere il tasto FOLDER (B15, B19) per selezionare la cartella di riproduzione desiderata. Per avviare la riproduzione con la modalità cartella attiva, andare al. passaggio
3. Selezionare il file desiderato da riprodurre premendo il pulsante Track Down, Track up (A10, A11, B8, B18).
4. Premere PLAY / PAUSE (A9, B22). La riproduzione avrà inizio e verrà visualizzato il nome del file.

NOTA:

- Questo prodotto non è compatibile con i file system MTP e AAC del dispositivo di archiviazione di massa USB o del lettore Mp3.
- Questa unità supporta FAT16 e FAT32, ma alcuni supporti di archiviazione USB potrebbero non supportare entrambi i file system. Per i dettagli, consultare il manuale operativo del dispositivo di archiviazione USB in questione o contattare il produttore.

SALTÀ E MODALITÀ RICERCA

1. Durante la modalità di riproduzione o pausa, toccare il pulsante Traccia giù, Traccia su (A10, A11, B8, B18) per passare alla traccia successiva o tornare all'inizio della traccia corrente.
2. Durante la riproduzione, tenere premuto Track Down, Track up (A10, A11, B8, B18) per cercare all'interno della traccia corrente con la riproduzione sonora ad alta velocità.

DIVERSE MODALITÀ DI GIOCO (SOLO TELECOMANDO)

Premere ripetutamente il pulsante REPEAT (B6) sul telecomando per selezionare diverse modalità di riproduzione durante la riproduzione del CD.

Durante la riproduzione di CD, le modalità di riproduzione sono mostrate di seguito:

Ripetere
Ripeti tutto
Normale

REPEAT 1 - il brano in riproduzione e si ripeterà continuamente. Ripetere un'icona "REPEAT 1" appare sul display.

RIPETI TUTTO - tutte le tracce si ripetono continuamente. Icona Ripeti tutto "REPEAT ALL" viene visualizzato sul display.

GIOCO CASUALE

Quando il pulsante RANDOM (B20) viene premuto tre, l'indicatore " RDM " si illuminerà sul display LCD. I brani sul disco possono essere riprodotti automaticamente in ordine casuale.

Per annullare la riproduzione casuale:

Premere di nuovo il tasto RANDOM (B20). L'indicatore " RDM " scomparirà.

NOTA:

Se si preme il pulsante durante la riproduzione casuale, è possibile spostarsi sulla traccia selezionata successivamente dall'operazione casuale. D'altra parte, il pulsante non consente di passare alla traccia precedente. Verrà individuato l'inizio del brano riprodotto. Nella riproduzione casuale, l'unità selezionerà e riprodurrà automaticamente le tracce. (Non è possibile selezionare l'ordine delle tracce.)

RIPRODUZIONE INTRO

1. Premere INTRO (B20) sul telecomando. L'indicatore "INTRO (B20)" apparirà sul display. L'unità riprodurrà i primi 10 secondi di ciascuna traccia.
2. Premere di nuovo INTRO (B20) sul telecomando per riprendere la riproduzione normale.

GIOCARE ALLA PROGRAMMAZIONE DELLA SEQUENZA DELLA PISTA

Questa funzione consente di riprodurre i brani in una sequenza programmata. L'utente può programmare fino a 32 tracce in modalità CD o 99 tracce in MP3 in qualsiasi

NOTA: il programma può essere impostato solo in modalità STOP.

1. Toccare PROG . Tasto (B3) sul telecomando, sul display appare il numero di programma "1", l'icona " PROG " e il numero della traccia CD "-." lampeggiano sul display LCD. (Nota: "1 -" sarà visualizzato sul display se si sta programmando per la prima volta).
2. Utilizzare Track Down, Track up (A10, A11, B8, B18) sull'unità principale o sul telecomando per selezionare la traccia desiderata. Il numero del brano verrà visualizzato sul display.
3. Toccare PROG . Tasto (B3) sull'unità principale o sul telecomando per memorizzare la traccia selezionata nella memoria, il numero di programma successivo avanzerà di uno (cioè "2") sul display LCD.
4. Ripetere i passaggi da 2 a 3 per memorizzare più tracce in memoria. È possibile memorizzare fino a 32 tracce CD, tracce MP3 99. Il display mostrerà " FUL " dopo che i brani sono stati programmati.
5. Toccare PLAY / PAUSE (A9, B22). sull'unità principale o sul telecomando per avviare la riproduzione del CD nella sequenza programmata.

6. Premere il pulsante REPEAT (B6) sul telecomando per selezionare Ripeti 1/Tutto, se necessario.
7. Per interrompere la riproduzione, premere il pulsante STOP (A8, B25) sull'unità principale o sul telecomando.
Per annullare la riproduzione programmata, premere due volte il pulsante STOP (A8, B25) sull'unità principale o sul telecomando, l'icona "PROG" scompare dal display.

FUNZIONAMENTO BLUETOOTH

Premere il pulsante POWER / STANDBY (A1, B1) per accendere l'unità e seguire le istruzioni riportate di seguito per connettersi tramite Bluetooth.

ASSOCIAZIONE (collegamento) di un telefono cellulare BLUETOOTH ABILITATO O ALTRI DISPOSITIVI BLUETOOTH ABILITATI al dispositivo

Se il CR 1173 non è mai stato associato a un dispositivo Bluetooth prima. È necessario seguire le istruzioni di associazione seguenti per collegare il dispositivo con il dispositivo Bluetooth.

1. Premere il pulsante POWER / STANDBY (A1, B1) sull'unità principale o sul telecomando per accendere l'unità.
2. Toccare il pulsante SOURCE (A1, B11) sul telecomando principale o per selezionare la modalità Bluetooth, il messaggio Bluetooth " bt " appare sul display e lampeggia.
3. Se il CR 1173 non è mai stato associato a un dispositivo Bluetooth prima o non riesce a trovare l'ultimo dispositivo associato, il lampeggiante " bt " sul display LCD indica che XXX è in modalità di ricerca. È necessario seguire le istruzioni di associazione seguenti per collegare il dispositivo con il dispositivo Bluetooth.
- Attivare la funzione Bluetooth del dispositivo Bluetooth e abilitare la funzione di ricerca o scansione per trovare CR 1173.
- Selezionare "CR 1173" dall'elenco dei dispositivi quando appare sullo schermo del dispositivo. Se richiesto, immettere il codice di accesso "0000" per associare (collegare) il CR 1173 al dispositivo.
4. Dopo aver eseguito correttamente l'accoppiamento (collegamento), il display cambierà per mostrare costantemente " bt ", sul display comparirà anche l'icona Bluetooth. Puoi iniziare a riprodurre musica dal tuo dispositivo Bluetooth in modalità wireless all'altoparlante.
5. Dopo aver selezionato il brano preferito, premere il pulsante PLAY PAUSE (B22, A9) sull'unità o sul telecomando per riprodurre o mettere in pausa il brano.
6. Premere il controllo del volume sull'unità principale o sul telecomando per regolare al livello di volume desiderato.
7. Premere il pulsante Track Down, Track up (B8, B9) sull'unità principale o sul telecomando per saltare al brano precedente o successivo.
8. Se si desidera associare il dispositivo a un altro dispositivo abilitato Bluetooth, tenere premuto il pulsante PAIR (B10) per 3 secondi o disattivare la funzione Bluetooth del dispositivo attualmente associato al dispositivo, quindi ripetere il passaggio 3 sopra.

Appunti:

- 1.) Consultare il manuale del telefono cellulare, tablet PC, computer o altri dispositivi abilitati Bluetooth per il funzionamento Bluetooth poiché può variare da modello a modello.
- 2.) Se il tuo dispositivo abilitato Bluetooth non supporta il profilo A2DP, non riprodurrà la musica attraverso l'altoparlante, anche se associato (collegato).
- 3.) Se si sta accoppiando (collegando) il computer all'unità tramite Bluetooth, potrebbe essere necessario impostare l'altoparlante come dispositivo audio predefinito del computer.

FUNZIONAMENTO AUSILIARIO DELL'INGRESSO

Questa unità dispone di un jack di ingresso del segnale audio ausiliario per il collegamento di dispositivi audio esterni come lettori MP3, dispositivi audio digitali e ascoltarli attraverso gli altoparlanti di questa unità.

1. Utilizzare un cavo audio (non incluso) con una presa stereo da 3,5 mm su ciascuna estremità del cavo.
2. Inserire un'estremità nel jack AUX IN (A5) sull'unità principale e l'altra estremità del cavo nel jack di uscita linea o nelle cuffie del dispositivo audio esterno.
3. Accendere l'unità e il dispositivo audio esterno.
4. Toccare il pulsante SOURCE (A1, B11) sul telecomando principale o per selezionare la modalità AUX, l'icona "AUX" si accende, il display mostra il messaggio "AUX".
5. Ora è possibile controllare il livello del volume tramite l'unità principale. Azionare tutte le altre funzioni sul dispositivo ausiliario come al solito.

Nota:

· Se si collega questa unità alla presa di uscita del dispositivo esterno, è sufficiente regolare il controllo del volume di questa unità. Se si collega la presa delle cuffie del dispositivo esterno, potrebbe essere necessario regolare sia i controlli del volume del dispositivo esterno sia questa unità per ottenere l'impostazione del volume desiderata.

PRESET EQ (SOLO TELECOMANDO)

Questa unità offre 4 diverse modalità EQ per migliorare la tua esperienza di ascolto. È possibile selezionare l'effetto desiderato premendo ripetutamente il pulsante EQ (B5) sul telecomando nella sequenza seguente:

ROCK POP JAZZ CLASSIC OFF

PULSANTE MUTE (SOLO TELECOMANDO)

- Premere il pulsante MUTE (B21) sul telecomando per silenziare temporaneamente l'audio emesso dall'altoparlante. "V 00" apparirà sul display.
- Premere nuovamente il pulsante MUTE (B21) o VOLUME CONTROL (B23, A12) per riprendere la normale riproduzione degli altoparlanti.

OPERAZIONI SONNO (SOLO TELECOMANDO)

Il timer di spegnimento consente di spegnere l'unità dopo aver raggiunto un tempo prestabilito.

1. Per attivare il timer di spegnimento, accendere l'unità e toccare il pulsante SOURCE (A1, B11) per selezionare radio FM, CD, USB, Bluetooth o ascoltare la musica tramite AUX IN.
2. Toccare il pulsante SLEEP (B14) sul telecomando, l'icona del tempo di sospensione "SLEEP" appare sul display.
3. Toccare ripetutamente il tasto SLEEP (B14) per selezionare un periodo di sospensione. L'unità si spegne dopo 10, 20, 30, 40, 50, 60, 70, 80 o 90 minuti. Attendere 3 secondi dopo aver selezionato l'unità per confermare la selezione, l'unità suonerà per il periodo di tempo selezionato, quindi si spegnerà automaticamente.
4. Per annullare il timer di spegnimento, toccare ripetutamente il tasto SLEEP (B14) fino a quando il timer non mostra "OFF", l'icona del tempo di spegnimento "SLEEP" scompare sul display

5. Per spegnere l'unità prima del periodo di tempo selezionato, premere il pulsante POWER / STANDBY (A1, B1) in qualsiasi momento.

Appunti:

- 1.) Per controllare il tempo di sonno rimanente, toccare una volta il tasto SLEEP (B14).
- 2.) Se ti stai addormentando con la musica da un dispositivo esterno collegato all'ingresso AUX, il timer di spegnimento spegnerà il sistema ma non spegnerà il dispositivo esterno.

USO DELLE CUFFIE (NON INCLUDE)

L'inserimento della spina delle cuffie nel jack per cuffie stereo (A17) consente di ascoltare la musica del CD o della radio in privato. Quando si usano le cuffie, gli altoparlanti integrati verranno disconnessi.

LEGGI QUESTE IMPORTANTI INFORMAZIONI PRIMA DI UTILIZZARE LE CUFFIE

1. Evitare il gioco prolungato a volume molto elevato in quanto potrebbe compromettere l'udito.
2. Se si avverte un ronzio nelle orecchie, ridurre il volume o spegnere l'unità.
3. Mantenere il volume a un livello ragionevole anche se l'auricolare è un tipo a cielo aperto progettato per consentire di ascoltare suoni esterni. Si noti che un volume eccessivamente elevato può ancora bloccare i suoni esterni.

AZZERAMENTO

Se il sistema non risponde o ha un funzionamento irregolare, è possibile che si sia verificata una scarica elettrostatica (ESD) o un sovraccarico che ha causato l'arresto automatico del computer interno. In questo caso, scollegare il cavo CA dalla fonte di alimentazione, attendere 60 secondi, quindi ricollegare il cavo CA alla fonte di alimentazione. L'unità verrà ripristinata, è necessario impostare l'orologio, la sveglia e i canali radio preimpostati.

CURA E MANUTENZIONE

1. Non sottoporre l'unità a forza eccessiva, urti, polvere o temperature estreme (oltre 40 ° C).
2. Non manomettere i componenti interni dell'unità.
3. Pulire l'unità con un panno asciutto. Non utilizzare solventi o detergenti.
4. Evitare di lasciare l'unità alla luce solare diretta o in luoghi caldi, umidi o polverosi.
5. Tenere l'unità lontana da apparecchi di riscaldamento e fonti di rumore elettrico come lampade o motori fluorescenti.
6. In caso di interruzioni o interruzioni della musica durante la riproduzione del CD o la mancata riproduzione del CD, potrebbe essere necessario pulirne la superficie inferiore. Prima di riprodurre, pulire il disco dal centro verso l'esterno con un buon panno morbido e pulito.

PULIZIA DELL'UNITÀ

- Per prevenire il rischio di incendi o scosse elettriche, scollegare l'unità dall'alimentazione CA durante la pulizia.
- La finitura dell'unità può essere pulita con un panno per la polvere e curata come altri mobili. Prestare attenzione quando si puliscono e si puliscono le parti in plastica.
- Se il mobile diventa polveroso, pulirlo con un panno morbido e asciutto. Non utilizzare spray per cera o smalto sul mobile.
- Se il pannello frontale si sporca o presenta delle impronte digitali, può essere pulito con un panno morbido leggermente inumidito con una soluzione di acqua e sapone neutro. Non utilizzare mai panni o lucidi abrasivi in quanto potrebbero danneggiare la finitura dell'unità.

ATTENZIONE: non consentire mai all'acqua o ad altri liquidi di penetrare all'interno dell'unità durante la pulizia

Dati tecnici:

Requisiti di alimentazione:

Unità principale: 230 V ~ 50 Hz

Telecomando: CR2025 3V

Sezione lettore DISCO

Sistema: Compact disc e sistema audio digitale Proprietà dei diodi laser

Durata dell'emissione: continua

Uscita laser: meno di 44,6 mW (Questa uscita è la misurazione del valore a una distanza di 200 mm dalla superficie dell'obiettivo sul blocco di raccolta ottica con apertura di 7 mm.)

Intervallo di frequenze

Sezione sintonizzatore FM:

Gamma di sintonia: 87,5 MHz-108,0 MHz (passo 50 kHz)

Potenza dell'altoparlante: 2x 5 W.

Max: 28W

Prendersi cura dell'ambiente

Gli imballi di cartone devono essere smaltiti nel contenitore per la carta. I sacchetti di polietilene (PE) vanno gettati nel contenitore per la plastica. L'apparecchio usato deve essere rottamato presso un centro di raccolta autorizzato, poiché contiene elementi pericolosi che potrebbero costituire una minaccia per l'ambiente. I dispositivi elettrici devono essere resi al fine di evitare il loro riutilizzo. Se il dispositivo contiene una batteria, deve essere rimossa e smaltita separatamente in un punto di raccolta.

Non gettare l'apparecchio nei contenitori dei rifiuti urbani!



УВЈЕТИ ЗА СИГУРНОСТ ВАЖНЕ УПУТЕ О СИГУРНОСТИ УПОТРЕБЕ МОЛИМО ВАС ДА ПРОЧИТАЈТЕ И ПОГЛЕДАЈТЕ ЗА БУДУЋЕ РЕФЕРЕНЦЕ

Услови гаранције су различити, ако се уређај користи у комерцијалне сврхе.

1. Пре употребе производа пажљиво прочитајте и увек се придржавајте следећих упутстава. Произвођач није одговоран за било какву штету насталу због злоупотребе.
2. Производ се користи само у затвореном простору. Немојте користити производ за било коју сврху која није компатибилна са њеном примјеном.
3. Важећи напон је 230В, ~ 50Хз. Из сигурносних разлога није прикладно повезати више уређаја на једну утичницу.
4. Будите опрезни када користите око деце. Не дозволите деци да се играју са производом. Не дозволите деци или особама које не познају уређај да је користе без надзора.
5. УПОЗОРЕЊЕ: Овај уређај могу користити дјеца старија од 8 година и особе са смањеним физичким, осјетилним или менталним способностима, или особе без искуства или знања о уређају, само под надзором особе одговорне за њихову сигурност, или ако су добили инструкције о безбедном коришћењу уређаја и да су свесни опасности које су повезане са његовим радом. Деца не би требало да се играју са уређајем. Чишћење и одржавање уређаја не би требало да се врши од стране деце, осим ако су старији од 8 година и ове активности се спроводе под надзором.
6. Након што завршите са коришћењем производа, увек запамтите да пажљиво извадите утикач из утичнице која држи утичницу руком. Никада не вуците кабл за напајање !!!
7. Никада не стављајте кабл за напајање, утикач или читав уређај у воду. Никада не излажите производ атмосферским условима као што су директна сунчева светлост или киша итд. Никада не користите производ у влажним условима.
8. Периодично проверите стање кабла за напајање. Ако је кабл за напајање оштећен, производ треба окренути на професионалну сервисну локацију која ће се заменити како би се избегле опасне ситуације.
9. Никад не користите производ са оштећеним каблом за напајање или ако је испуштен или оштећен на неки други начин или ако не ради исправно. Не покушавајте сами поправити оштећени производ јер то може довести до електричног удара. Оштећени уређај увек окрећите на професионалну сервисну локацију како бисте га поправили. Све поправке могу обавити само овлашћени сервисери. Неисправна поправка може проузроковати опасне ситуације за корисника.
10. Никад не стављајте производ у близину топлих или топлих површина или кухињских уређаја као што су електрична пећница или плински пламеник.
11. Никада немојте користити производ близу запаљивих материја.
12. Не дозволите да кабл виси преко ивице бројача или додирује вруће површине. Никада не остављајте производ прикључен на извор напајања без надзора. Чак и када је употреба прекинута на кратко, искључите је из мреже, искључите напајање.
14. Да би се обезбиједила додатна заштита, препоручује се уградити уређај за задржавање струје (РЦД) у струјни круг, са преосталом струјом не већом од 30 мА. Обратите се професионалном електричару по овом питању.
15. Избегавајте да мокри радио.
16. Радио се може обрисати само сувом крпом. Не користите воду или течности за чишћење.
17. Радио треба чувати у сувом простору.

1. ПОВЕР ОН / ОФФ СТАНДБИ ИНДИКАТОР 2.СОУРЦЕ 3.ТИМЕ СЕТ / МЕМОРИ БУНТОН
4. КАНАЛ ТУНЕРА - 5.АУКС У 6.УСБ 7.ТУНЕР ЦХАННЕЛ +
8. ЦД СТОП БУТТОН / БЛУЕТООТХ ПАИР БУТТОН
9. ЦД / БЛУЕТООТХ ПЛАИ / ПАУСЕ / РАДИО АУТО ПРЕТРАЖИ Гумб
10. ЦД / БЛУЕТООТХ СКИП ПРЕТХОДНИ / ТУНЕ - Гумб
11. ЦД / БЛУЕТООТХ СКИП НЕКСТ / ТУНЕ + Гумб
12. ВОЛУМЕ ЦОНТРОЛ КНОБ 13.ЛЦД ДИСПЛАИ
14. ЦД-ВРАТА ОТВОРЕНА / ЗАТВОРЕНА 15.ЦД ВРАТА 16.ФМ АНТЕННА
17. ПРИКЉУЧАК ЗА ГЛАВУ
20. ДЦ ПОВЕР АДАПТЕР 21. БАТТЕРИ ЦОМПАРТМЕНТ ВРАТА

ДАЉИНСКО УПРАВЉАЊЕ:

1. УЛАЗНА / ИСКЉУЧЕНА СНАГА СТАНДБИ 2.ДИСЦ ДРЕКТНА ТРАЖЕНА Гумб
3. ПРОГ . Гумб 4. ЦД / УСБ ТРАЦК ДОВН ИЛИ ТИМЕ ДОВН Гумб, ТУНЕР ДОВН Гумб.
5. Гумб ЗА ЕКВАЛИЗАТОР 6.РЕПЕАТ БУТТОН 7.Кс-БАСС Гумб 8.ТРАЦК ДОВН БУТТОН
9. ЦД / БЛУЕТООТХ ПЛАИ / ПАУСЕ / РАДИО АУТО ПРЕТРАЖИ Гумб
10. ЦД / БЛУЕТООТХ СКИП ПРЕТХОДНИ / ТУНЕ - Гумб
11. ЦД / БЛУЕТООТХ СКИП НЕКСТ / ТУНЕ + Гумб
- 12.ЦЛОЦК СЕТ 13.ЛЦД ДИСПЛАИ 14.ЦД ГОРЊА ОТВОРЕНА / ЗАТВОРЕНА
15. ЦД-ВРАТА 16.ФМ АНТЕНА 17. прикључак за слушалице
18. ДЕСНИ ЗВУЧНИК ЗА ЗВУЧЕЊЕ 19.ЛЕФТ ЗВУЧНИК ЗВУЧНИКА
20. ВЕНТИЛ КЉУЧА И УЛАЗНА ВРАТА 21. БАТТЕРИ ВРАТА КОМЕНТАРА
22. БТ ПЛАИ / ПАУСЕ Гумб 23.ВОЛУМ ГОРНОМ ГУМБУ
24. ЦД ПЛАИ / ПАУСЕ БУТТОН 25.ЦД СТОП БУТТОН

ПОВЕЗАВЕ СИСТЕМА

Обавезно искључите мрежни кабл из зидне утичнице пре успостављања било које везе.

АЦ напајање

Укључите мрежни кабл у доступну утичницу од 230 В ~ 50Хз. Провјерите је ли утикач правилно уметнут у зидну утичницу.

Инсталирање батерија за резервно копирање батерије

1. Уклоните врата одјељка за батерије која се налазе на дну главне јединице.
2. Слједите ознаке поларитета унутар одјељка за батерије и уметните 2 к ААА батерије (нису укључене) у два утора за батерије која се налазе у одјељку за батерије.
3. Вратите врата батерије.

НАПОМЕНЕ:

- Приликом замене резервних батерија, не искључујте исправљач из зидне утичнице. Ако то учините, сва тренутна времена и поставке аларма биће избрисани.
- Ако уређај остане без напајања током дужег времена, извадите батерије да не би дошло до оштећења ако батерије истекну и проузрокују корозију

Даљинско управљање

Даљински управљач ради на једној ЦР2025 3В литијумској батерији (која је укључена у даљинац). Да бисте активирали даљински управљач, уклоните изолацијски језичак уметнут у одељак за батерије.

Ако даљински рад постане испрекидан или незадовољавајући, замените оригиналну батерију новом литијумском батеријом ЦР2025 3В.

1. Притисните поклопац претинца, извучите држач батерије из кућишта даљинског управљача.
2. Замените батерију пажећи да је батерија правилно постављена. Даљински управљач неће радити ако је батерија постављена погрешном поларношћу.

ОПРЕЗ:

- 1.) Опасност од експлозије ако се батерија погрешно замени.
- 2.) Замените само батерије истог или еквивалентног типа.
- 3.) Вратите држач батерије у утор за батерију.

Укључивање / искључивање јединице

1. У режиму искључења (у стању приправности) тапните на тастер ПОВЕР / СТАНДБИ (А1, Б1) на главној јединици или даљинском управљачу да бисте укључили јединицу. Уређај ће се укључити, на ЛЦД екрану ће се приказати последња изабрана икона режима уноса.

2. Да бисте искључили јединицу (у стању приправности), поново додирните дугме за укључивање / укључивање / искључивање (А1, Б1) на главној јединици или даљинском управљачу. ЛЦД ДИСПЛАИ ће се пригушити и приказати тренутно време. Индикатор стања приправности светли.

Подешавање сата

Након прикључивања наизменичног напајања, појавиће се "00:00" и почиње трептати на ЛЦД екрану.

1. У режиму искључења (приправности) притисните и држите тастер ЦЛОЦК СЕТ (Б13) на даљинском управљачу или главној јединици, на екрану ће се приказати формат 24ХУР "24Х".
2. Күцните на дугме Претходно / Следеће (Б4, Б18) на даљинском управљачу или главној јединици да бисте одабрали формат 24 часа. У супротном, притисните тастер ЦЛОЦК СЕТ (Б12) да потврдите формат 12-часовног сата и уђете у режим подешавања сата, цифре сата ће трептати.
3. Додирните дугме Претходно / Следеће (Б4, Б18) на даљинском управљачу или главној јединици да бисте подесили сат. Притисните и држите дугме за брзо подешавање унапред / уназад.

Напомена: Проверите да ли је сат подешен тако да се индикатор ПМ приказује правилно.

4. Притисните дугме ЦЛОЦК СЕТ (Б12) на даљинском управљачу да бисте потврдили подешавање сата, цифре минута ће блескати да бисте затражили унос.

5. Додирните дугме Претходно / Следеће (Б4, Б18) на даљинском управљачу или главној јединици да бисте подесили минуту. Притисните и држите дугме за брзо подешавање унапред / уназад.
6. Притисните тастер ЦЛОЦК СЕТ (Б12) на даљинском управљачу поново да бисте довршили подешавање.

НАПОМЕНА: Потребно је ресетовати претходно подешене сате и радио станице ако је дошло до прекида напајања или у случају прекида напајања. Појавиће се „00:00“ и почеће трептати на ЛЦД екрану како би вас обавестио да је струја прекинута и да ће сат морати да ресетује. Слједите горе наведене кораке 1-6 да бисте ресетирали сат.

ПРОВЈЕРА САТИ

Уређај ће приказати тренутно време у стању приправности. Да бисте проверили тренутно време у режиму напајања, притисните и задржите тастер ЦЛОЦК СЕТ (Б12) на главној јединици или даљинском управљачу 3 секунде, тренутно време ће се приказати 5 секунди, а затим се вратите на претходни екран.

УПРАВЉАЊЕ АЛАРМОМ (САМО ДАЉИНА УПРАВЉАЊЕ)

Подешавање аларма

Ова функција омогућава систему да се аутоматски укључи и пробуди вас користећи звучни сигнал, ЦД, УСБ или БУ РАДИО.

1. Притисните и држите дугме ТИМЕР (Б13) на даљинском управљачу док се на екрану не прикаже „Он“, а цифре сата блескају.
2. Притисните дугме Претходно / Следеће (Б4, Б18) да подесите цифре сата, а затим притисните тастер ТИМЕР за потврду. На екрану ће трептати бројеви минута.
3. Притисните тастере Претходно / Следеће (Б4, Б18) да подесите минутне цифре, а затим притисните тастер ТИМЕР (Б13) да бисте потврдили.
4. Када је постављен претходно / следећи тастер (Б4, Б18) на часовнику са сатом, на екрану ће се приказати "ОФФ" и цифре сата ће трептати.
5. Притисните дугме Претходно / Следеће (Б4, Б18) да подесите цифре сата, а затим притисните тастер ТИМЕР (Б13) за потврду. На екрану ће трептати бројеви минута.
6. Притисните дугме Претходно / Следеће (Б4, Б18) на даљинском управљачу да подесите цифре минута, а затим притисните тастер ТИМЕР за потврду.
7. Притисните тастере да бисте одабрали ЦД, УСБ, БТ или ФМ режим, а затим притисните тастер ТИМЕР (Б13) да бисте потврдили. На екрану ће се појавити „ВОЛ #“ и блескати.
8. Притисните дугме Претходно / Следеће (Б4, Б18) да подесите јачину звука, а затим притисните тастер ТИМЕР за потврду.
9. Притисните дугме ТИМЕР (Б13) да бисте одабрали „Укључен тајмер“, а Тајмер је сада комплет.
9. У стању приправности на екрану ће се приказати икона мерача времена која означава да је тајмер укључен.

БЕЛЕШКА:

- 1.) Ако је одабрано „Ваке то ЦД, УСБ“, али ЦД није убачен, аларм ће се аутоматски поставити на Беепер Аларм када достигне време буђења аларма.
- 2.) За „Ваке то Радио“, систем ће подразумевано задњу ФМ радио станицу која је преслушавана пре искључења.
- 3.) Цресцендо аларм ће се повећати на ниво јачине звука који сте поставили.

АКТИВНА / ДЕ-АКТИВНА ФУНКЦИЈА АЛАРМА

1. Да активирате АЛАРМ, додирните дугме ТИМЕР (Б13) једном, а икона аларма ће се приказати на ЛЦД екрану.
2. Откажи функцију АЛАРМ тако да поново додирнете дугме ТИМЕР (Б13). Икона аларма ће се угасити.

Будите се за радио, ЦД, УСБ или БУЗЗЕР Аларм

- Када дође време аларма, аларм за звук ЦД-а, УСБ-а или радија ће се огласити 60 минута, а затим се искључити и ресетовати за следећи дан (без притиска на дугме за одлагање).
- Да бисте зауставили аларм одмах након што се огласи, једном додирните тастер ПОВЕР / СТАНДБИ (А1, Б1) на даљинском управљачу или на главној јединици. Поново се ресетује за наредни дан.
- Да бисте отказали аларм следећег дана, додирните дугме ТИМЕР (Б13) једном, икона АЛАРМ се искључује.

РАДИО РАД

1. Куцните типку ПОВЕР / СТАНДБИ (А1, Б1) на главној јединици или даљинском управљачу да бисте је укључили.
2. Додирните дугме СОУРЦЕ (А1, Б11) на главној јединици или даљинском управљачу да бисте изабрали режим ФМ, на екрану ће се појавити ФМ радио фреквенција.
3. Да бисте ручно прилагодили одређену радио станицу, додирните Трацк Довн, Трацк уп (А10, А11, Б8, Б18) на било којој главној јединици или даљинском управљачу више пута. Користите метод ручне подешавања за подешавање слабијих станица које се заобилазе током аутоматског подешавања.
4. Да бисте се аутоматски прилагодили следећој доступној радио станици, притисните и држите дугме за праћење (А10, А11, Б8, Б18) на главној јединици или даљинском управљачу 1-2 секунде док се очитавање фреквенције на екрану не почне скенирати, а затим отпустите дугме. Тјунер ће престати да скенира када прими следећу радиодифузну станицу одговарајуће јачине сигнала.
5. Притисните контролу јачине звука на главној јединици или даљинском управљачу да бисте подесили контролу јачине звука на жељени ниво јачине.

ФМ / ФМ стерео пријем

Када слушате ФМ радио, притисните дугме СТ./МОНО (Б16) на даљинском управљачу да бисте пребацили између стерео режима и моно режима. ФМ стерео икона "СТ" појавиће се на екрану ако је јединица у стерео режиму. Пожељно је да програм примате моно када примате слабу станицу.

САВЕТИ ЗА НАЈБОЉИ ПРИЈЕМ:

ФМ - За најбољи ФМ пријем ФМ антена антена налази се на стражњој страни уређаја треба у потпуности да се одвије и продужи.

НАПОМЕНА: Аутоматско подешавање зависи од јачине сигнала радиодифузне станице, тако да слабе станице могу бити прескочене. Можете ручно подесити да пронађете слабе станице ако их станица прескочи. С јаким сигналимa, тјунер се може зауставити прије него што достигне стварну фреквенцију емитовања, тако да ћете можда морати да ручно подесите за најбољи пријем.

ПРЕСЕТ РАДИО СТАНИЦЕ

1. Притисните тастер ПОВЕР / СТАНДБИ (А1, Б1) на главној јединици или даљинском управљачу да бисте га укључили.
2. Додирните дугме СОУРЦЕ (А1, Б11) на главној јединици или даљинском управљачу да бисте изабрали режим ФМ радија.
3. Притисните и задржите додирните дугме Трацк Довн, Трацк уп (А10, А11, Б8, Б18) на главној јединици или даљинском управљачу док се читавање фреквенције на екрану не почне скенирати, а затим отпустите тастер за аутоматску претрагу и програмирање унапред постављених канала. На екрану се појављује „ПРОГ“ и трепери. Аутоматско претраживање и програм зауставит ће се на П01 након завршетка скенирања, на екрану се стално приказује "ПРОГ".
Напомена: Ако канали сачувани током аутоматске претраге и програмиране унапред нису оне које желите да сачувате, за ручно чување радио подешавања претходно користите методу испод.
4. Подесите жељену радио станицу било „ручно“ или „аутоматски“ методом подешавања.
5. Куцните на ПРОГ . (Б3) на даљинском управљачу, следећи доступни меморијски број и трепери ПРОГ . (Б3) икона ће се приказати на ЛЦД екрану. (Напомена: „П01“ ће се приказати на екрану ако први пут програмираете претходно подешену вредност).
6. Куцните на ПРЕ. Дугме (Б15, Б19) на главној јединици или даљинском управљачу да бисте одабрали претходно подешени број коме желите да доделите станицу.
7. Куцните на ПРОГ . (Б3) Дугме за потврду подешавања.
8. Поновите горе наведене кораке 4 - 8 да бисте поставили до 30 ФМ станица.

ОБАВИЈЕСТ ПРЕСЕТ ПОМЕНИ КАНАЛИ

У радио режиму подсетите унапред подешене канале притиском на ПРЕ. Гумб (Б15, Б19) на даљинском управљачу више пута.

РАД ЦД-ИГРАЧА

Белешка:

- Овај ЦД плејер неће репродуковати само комерцијалне ЦД-ове, већ ће и самостално саставити ЦД-Р / РВ, МП3 дискове. Не покушавајте да репродукујете ЦД-РОМ, ЦДИ, ВЦД , ДВД или компјутерске ЦД-ове.
- МП3 је облик компресије. То је кратица која означава МПЕГ Аудио Лаиер 3. МП3 је врста аудио кода која се обрађује значајном компресијом из оригиналног извора звука са врло мало губитка у квалитету звука.
- Овај систем подржава МПЕГ 1 ниво 3 и ВБР датотеке.
- Током репродукције датотеке ВБР , бројач времена на дисплеју може се разликовати од стварног времена репродукције.
- Брзина коју МП3 подржава је 32 ~ 320 кбпс

МОЛИМО ПРОЧИТАЈТЕ ТЕ ВАЖНЕ ИНФОРМАЦИЈЕ:

ЦД механизми који се користе на уређајима попут овог дизајнирани су за читање свих комерцијалних ЦД-ова. Такође ће читати ЦД-Р / ЦД-РВ ЦД-ове који су сами саставили МП3 датотеке, али може потрајати и до 10 секунди да би се стварна репродукција започела. Ако се репродукција не започне, то је вероватно последица квалитета ЦД-Р / РВ , МП3 диска и / или компатибилности софтвера за компилацију ЦД-а. Произвођач није одговоран за квалитету репродукције ЦД-Р / РВ , МП3 дискова. Не лијепите наљепницу или печат на обје стране ЦД-Р / РВ, МП3 диска. Може проузроковати квар.

ИГРАЊЕ ЦД-а

1. Притисните тастер ПОВЕР / СТАНДБИ (А1, Б1) на главној јединици или даљинском управљачу да бисте га укључили.
2. Додирните дугме СОУРЦЕ (А1, Б11) на даљинском управљачу или главној јединици да бисте изабрали режим ЦД-а, а затим притисните Отворите одељак за диск.
3. Поставите аудио ЦД на средишње вретено тако да његова наљепница буде окренута према Врата ЦД-а. Затворите претинац за диск.
4. Јединица почиње читати диск, на дисплеју се приказује „--“ . Након неколико секунди, на укупном броју записа приказује се једна секунда, а затим укупно време ЦД-а ће бити приказано на ЛЦД дисплеју.
5. Притисните дугме ПЛАИ / ПАУСЕ (А9, Б22) на главној јединици или даљинском управљачу, на екрану се појави индикатор ПЛАИ, ЦД ће почети са репродукцијом из прве нумере.
6. Притисните контролу јачине звука Подесите јачину звука. на главној јединици или даљинском управљачу да бисте се прилагодили жељеном нивоу јачине звука.
7. Да бисте зауставили репродукцију, притисните дугме ПЛАИ / ПАУСЕ (А9, Б22) на главној јединици или даљинском управљачу. Вријеме снимања ће бити паузирано, а на екрану ће се приказати индикатор ПАУСЕ. Да бисте наставили са репродукцијом, поново притисните тастер ЦД ПЛАИ / ПАУСЕ (А9, Б22).
8. Можете одабрати да репродукујете вашу омиљену нумеру директно притиском на Трацк Довн, Трацк уп (А10, А11, Б8, Б18). ЛЦД екран ће означити изабрани број нумере.
9. Да бисте пронашли одређени одсек унутар нумере, притисните и држите Трацк Довн, Трацк уп (А10, А11, Б8, Б18) док се одсек не нађе. Отпустите дугме да бисте наставили репродукцију свог одабира.
10. Да бисте престали са играњем, притисните дугме СТОП (А8, Б25).

ПОСТУПАК ПРЕВОЗА МП3 ДИСЦ-а

За репродукцију ЦД-Р / РВ, МП3

1. Притисните дугме СОУРЦЕ (А1, Б11) на даљинском управљачу и уметните МП3 диск.
2. Притисните дугме ФОЛДЕР (Б15, Б19) да бисте одабрали жељену фасциклу за репродукцију.
3. Изаберите жељену датотеку која ће се репродуковати притиском на дугме Трацк Довн, Трацк уп (А10, А11, Б8, Б18).
4. Притисните ПЛАИ / ПАУСЕ (А9, Б22). Репродукција ће почети и приказат ће се назив датотеке.
- с У случају репродукције са укљученим режимом мапе, притисните дугме ФОЛДЕР (Б15, Б19) и мапа се може изабрати иако је у режиму репродукције / паузе. Настављаће режим репродукције / паузе у 1. запису изабране мапе.

ЗА РЕПРОДУКЦИЈУ УСБ / МП3 ПЛЕЈЕРА СА МАПОМ

1. Притисните тастер СОУРЦЕ (А1, Б11) на даљинском управљачу или тастер СОУРЦЕ (А1, Б11) више пута на главној јединици да бисте одабрали УСБ функцију. Спојите УСБ меморијски уређај који на уређају има датотеке формата МП3. Када се УСБ меморија прикључи на главну јединицу, биће приказане информације о уређају.
2. Притисните дугме ФОЛДЕР (Б15, Б19) да бисте одабрали жељену фасциклу за репродукцију. Да бисте започели репродукцију са укљученим режимом фолдера, идите на корак.
3. Изаберите жељену датотеку која ће се репродуковати притиском на дугме Трацк Довн, Трацк уп (А10, А11, Б8, Б18).

БЕЛЕШКА:

- Овај производ није компатибилан са МТП и ААЦ системима датотека са УСБ уређаја за масовну меморију или МПЗ плејера.
- Овај уређај подржава FAT16 и FAT32, али неки УСБ меморијски медији можда не подржавају оба датотечна система. Детаље потражите у упутству за употребу дотичног УСБ уређаја за складиштење или контактирајте произвођача.

КОРИШТЕЊЕ И ПРЕТРАЖИВАЊЕ

1. За време репродукције или паузе додирните дугме Трацк Довн, Трацк уп (А10, А11, Б8, Б18) да бисте прешли на следећу нумеру или се вратили на почетак тренутне нумере.
2. Током репродукције притисните и држите Трацк Довн, Трацк уп (А10, А11, Б8, Б18) да бисте претраживали унутар тренутне нумере са звучном репродукцијом велике брзине.

РАЗЛИЧИТИ НАЧИНИ ИГРАЊА (САМО ДАЉИНСКА КОНТРОЛА)

Притисните тилку РЕПЕАТ (Б6) на даљинском управљачу да бисте изабрали различите начине репродукције када се ЦД репродукује.

Приликом репродукције ЦД-а режими репродукције приказани су на следећи начин:

- Понављање
- Поновите све
- Нормално

РЕПЕАТ 1 - нумера која се репродукује и понављаће се непрекидно. Поновите једну икону на екрану се приказује „РЕПЕАТ 1“.

РЕПЕАТ АЛЛ - све се пјесме непрекидно понављају. Поновите све иконе "РЕПЕАТ АЛЛ" се приказује на екрану.

РАНДОМ ПЛАИ

Када се тастер РАНДОМ (Б20) притисне три, на ЛЦД екрану ће се упалити индикатор „ РДМ “. Записи на диску могу се аутоматски репродуковати насумичним редоследом.

Да бисте отказали случајну репродукцију:

Поновите притисните дугме РАНДОМ (Б20). Индикатор „ РДМ “ ће нестати.

БЕЛЕШКА:

Ако притиснете дугме током случајне репродукције, можете се пребацити на нумеру изабрану следећом случајном операцијом. Са друге стране, тастер вам не омогућава да пређете на претходну нумеру. Биће лоциран почетак нумере.

У случајном извођењу, јединица ће аутоматски одабрати и репродуковати нумере. (Не можете да изаберете редослед нумера.)

ИНТРО ПЛАИБАЦК

1. Притисните ИНТРО (Б20) на даљинском управљачу. На екрану ће се приказати индикатор "ИНТРО (Б20)".

Јединица ће репродуковати првих 10 секунди сваке нумере.

2. Притисните ИНТРО (Б20) на даљинском управљачу поново да наставите нормално репродуковање.

ИГРАЈТЕ ПРОГРАМИРАЊЕ Следења

Ова функција омогућава репродукцију записа у програмираном редоследу. Корисник може програмирати до 32 записа у режиму ЦД-а или 99 записа у МПЗ формату у било којем

НАПОМЕНА: Програм се може подесити само у режиму СТОП.

1. Куцните на ПРОГ . Дугме (Б3) на даљинском управљачу, на екрану се приказује број програма „1“, икона „ ПРОГ “ и број ЦД записа „-“, који такође трепери на ЛЦД екрану. (Напомена: "1 -" ће бити на екрану ако први пут програмираете).

2. Користите Трацк Довн, Трацк уп (А10, А11, Б8, Б18) на главној јединици или даљинском управљачу за одабир жељеног записа.

Број записа биће приказан на екрану.

3. Куцните на ПРОГ . Дугме (Б3) на главној јединици или даљинском управљачу за смештање одабране нумере у меморију, наредни број програма померит ће једну (тј. „2“) на ЛЦД екрану.

4. Поновите кораке 2 до 3 да бисте сачували више нумера у меморији. Можете да сместите до ЦД 32 записа, МПЗ 99 записа.

Дисплеј ће приказати „ ФУЛ “ након што су програмиране нумере.

5. Куцните на ПДАИ / ПАУСЕ (А9, Б22), на главној јединици или даљинском управљачу за почетак репродукције ЦД-а у програмираном редоследу.

6. Притисните дугме РЕПЕАТ (Б6) на даљинском управљачу да бисте изабрали Поновите 1 / Све ако је потребно.

7. Да бисте престали са играњем, притисните дугме СТОП (А8, Б25) на главној јединици или даљинском управљачу.

Да бисте отказали репродукцију програма, два пута притисните дугме СТОП (А8, Б25) на главној јединици или даљинском управљачу, икона „ ПРОГ “ нестане са екрана.

РАД БЛУЕТООТХ-а

Притисните тастер ПОВЕР / СТАНДБИ (А1, Б1) да бисте укључили јединицу и следите доленаведена упутства за повезивање путем Блуетоотх-а.

ПОРУЧИВАЊЕ (повезивање) БЛУЕТООТХ УБОЈЕНОГ мобитела ИЛИ ОСТАЛИ БЛУЕТООТХ УРЕЂЕНИ УРЕЂАЈ на уређај
Ако ЦР 1173 никада раније није био упарен са Блуетоотх уређајем. Морате да следите доленаведена упутства за упаривање да бисте повезали уређај са Блуетоотх уређајем.

1. Притисните тастер ПОВЕР / СТАНДБИ (А1, Б1) на главној јединици или даљинском управљачу да бисте га укључили.

2. Куцните на тилку ИЗВОР (А1, Б11) на главном или даљинском управљачу за одабир режима Блуетоотх, на екрану се појављује и бт- порука Блуетоотх .

3. Ако ЦР 1173 никада није био упарен са Блуетоотх уређајем пре или не може да нађе последњи упарени уређај, трепери „ бт “ на ЛЦД-у ће назначити да је КСКСКС у режиму претраге. Морате да следите доленаведена упутства за упаривање да бисте повезали уређај са Блуетоотх уређајем.

· Укључите Блуетоотх функцију свог Блуетоотх уређаја и омогућите функцији претраге или скенирања да нађе ЦР 1173.

- Изaberите ЦР 1173“ са листе уређаја када се појави на екрану вашег уређаја. Ако је потребно, унесите код за пролаз „0000“ да бисте упарили (повезали) ЦР 1173 са својим уређајем.
- 4. Након успешно упаривања (повезивања), екран ће се променити у стални „ бт “, на екрану ће се такође приказати и икона Блуецоотх. Можете да репродукујете музику са свог Блуецоотх уређаја бежично до звучника.
- 5. Након одабира омиљене песме, притисните дугме ПЛАИ ПАУСЕ (Б22, А9) на уређају или даљинском управљачу да бисте репродуковали или паузирали песму.
- 6. Притисните контролу јачине звука на главној јединици или даљинском управљачу да бисте се прилагодили жељеном нивоу јачине звука.
- 7. Притисните дугме Трацк Доун, Трацк уп (Б8, Б9) на главној јединици или даљинском управљачу да бисте прешли на претходну или следећу песму.
- 8. Ако желите упарити уређај са другим уређајем који подржава Блуецоотх, притисните и држите дугме ПАИР (Б10) 3 секунде или искључите Блуецоотх функцију уређаја који је тренутно упарен са уређајем, а затим поновите корак 3 горе.

Напомене:

- 1.) Погледајте приручник за свој мобилни телефон, таблет рачунар, рачунар или друге уређаје са Блуецоотх функцијом за Блуецоотх употребу јер се може разликовати од модела до модела.
- 2.) Ако ваш уређај који подржава Блуецоотх не подржава А2ДП профил, неће репродуковати музику кроз звучник, чак и ако је упарен (повезан).
- 3.) Ако упарујете (повезујете) рачунар са уређајем помоћу Блуецоотх-а, можда ћете морати да поставите звучник као подразумевани звучни уређај вашег рачунара.

ПОМОЋНИ УЛАЗНИ РАД

Овај уређај поседује помоћни улазни прикључак за аудио сигнал за повезивање спољних аудио уређаја као што су МП3 плејери, дигитални аудио уређај и слуша их преко звучника овог уређаја.

1. Користите аудио кабл (није у комплекту) са једним 3,5 мм стерео утикачем на сваком крају кабла.
2. Укључите један крај у АУКС ИН ЈАЦК (А5) на главној јединици, а други крај кабла у Лине-оут или прикључак за слушалице вашег спољног аудио уређаја.
3. Укључите јединицу и спољни аудио уређај.
4. Додирните дугме СОУРЦЕ (А1, Б11) на главном или даљинском управљачу да бисте изабрали АУКС режим, икона „АУКС“ се укључује, на екрану се приказује порука „АУКС“.
5. Ниво јачине звука сада се може контролисати преко главне јединице. Остале функције на помоћном уређају обављајте као и обично.

Белешка:

· Ако повежете овај уређај на Лине-Оут утичницу свог спољног уређаја, тада требате само да подесите контролу јачине звука овог уређаја. Ако прикључите утичницу за слушалице свог спољног уређаја, можда ће вам требати да подесите и контролу јачине звука свог спољног уређаја и овог уређаја да бисте постигли жељено подешавање јачине звука.

ПРЕСЕТ ЕК (САМО ДАЉИНСКА КОНТРОЛА)

Овај уређај нуди 4 различита ЕК начина за побољшање вашег слушања. Можете одабрати жељени ефекат притиском на дугме ЕК (Б5) на даљинском управљачу у следећем редоследу:

РОЦК ПОП ЈАЗЗ ЦЛАСИЦ ОФФ

Гумб за искључивање (САМО ДАЉИНСКИ УПРАВЉАЧ)

- Притисните типку МУТЕ (Б21) на даљинском управљачу да привремено искључите звук из звучника. На екрану ће се појавити „В 00“.
- Притисните тастер МУТЕ (Б21) поново или ВОЛУМЕ ЦОНТРОЛ (Б23, А12) да бисте наставили нормално репродуковање звучника.

СЛЕЕП ОПЕРАЦИЈЕ (САМО ДАЉИНСКИ УПРАВЉАЧ)

Тајмер спавања омогућава искључење јединице након што је достигнуто одређено време.

1. Да бисте активирали тајмер спавања, укључите јединицу и додирните дугме СОУРЦЕ (А1, Б11) да бисте изабрали ФМ радио, ЦД, УСБ, Блуецоотх или слушање музике преко АУКС ИН.
2. Додирните дугме СЛЕЕП (Б14) на даљинском управљачу, на екрану се појављује икона времена спавања „СЛЕЕП“.
3. Више пута додирните дугме СЛЕЕП (Б14) да бисте изабрали време спавања. Јединица ће се искључити након 10, 20, 30, 40, 50, 60, 70, 80 или 90 минута. Сачекајте 3 секунде након што ваш избор за јединицу потврди избор, јединица ће се репродуковати током одабраног временског периода, а затим се аутоматски искључити.
4. Да бисте отказали тајмер спавања, додирните дугме СЛЕЕП (Б14) неколико пута док тајмер не покаже „ОФФ“, икона времена спавања „СЛЕЕП“ нестане на екрану
5. Да бисте искључили јединицу пре одабраног временског периода, притисните тастер ПОВЕР / СТАНДБИ (А1, Б1) у било које време.

Напомене:

- 1.) Да бисте проверили преостало време спавања, додирните дугме СЛЕЕП (Б14) једном.
- 2.) Ако заспите уз музику са спољног уређаја спојеног на АУКС улаз, тајмер за искључивање ће искључити напајање овог система, али неће искључити спољни уређај.

КОРИШТЕЊЕ СЛУШАЛИЦА (НИЈЕ УКЉУЧЕНО)

Уметање утикача слушалица у стерео слушалице (А17) омогућиће вам да приватно слушате ЦД или Радио музику. Када користите слушалице, уграђени звучници ће бити искључени.

ПРОЧИТАЈТЕ ОВОЈ ВАЖНЕ ИНФОРМАЦИЈЕ ПРЕ УПОТРЕБЕ СВОЈИХ ТЕЛЕФОНА

1. Избегавајте продужену свирку при веома високој јачини, јер може оштетити ваш слух.
2. Ако осјетите звоњење у ушима, смањите јачину звука или искључите јединицу.
3. Држите јачину звука на разумном нивоу чак и ако су ваше слушалице на отвореном, дизајниране тако да вам омогућавају да чујете спољне звукове. Имајте на уму да прекомерно велика јачина звука и даље може блокирати спољне звукове.

РЕСЕТТИНГ

Ако систем не реагује или има неисправан рад, можда сте имали електростатичко пражњење (ЕСД) или налет струје који је покренуо да се унутрашњи рачунар аутоматски искључи. Ако се то догоди, ископчајте АЦ кабл из извора напајања, причекајте 60 секунди, а затим поново прикључите АЦ кабл на извор напајања. Јединица ће се ресетовати, потребно је да подесите сат, аларм и унапред постављене радио станице.

НЕГА И ОДРЖАВАЊЕ

1. Не излажите уређај великим силама, ударцима, прашином или екстремним температурама (изнад 40Ц).
2. Не дирајте унутрашње компоненте јединице.
3. Очистите уређај сувом крпом. Растварач или детерџент никада не треба користити.
4. Избегавајте да остављате уређај на директном сунцу или на врућим, влажним или прашњавим местима.
5. Држите уређај даље од грејних уређаја и извора електричне буке попут флуоресцентних сијалица или мотора.
6. Ако се током репродукције ЦД-а појаве испадања или прекиди у музици или ако ЦД уопште не успе, његова дна површина ће можда требати чишћење. Пре репродукције, обришите диск добром меком крпом за чишћење према средини.

ЧИШЋЕЊЕ ЈЕДИНИЦЕ

- Да бисте спречили опасност од пожара или удара, приликом чишћења искључите уређај из извора напајања.
- Завршни слој на уређају може се очистити крпом од прашине и неговати као други намештај. Будите опрезни приликом чишћења и брисања пластичних делова.
- Ако кабинет постане прашњав, обришите га меком крпом за суву прашину. Не користите никакав восак или лак за полирање на ормару.
- Ако предња плоча постане прљава или заплгана отисцима прстију, може се очистити меком крпом благо навлаженом благим раствором сапуна и воде. Никада не користите абразивне крпе или лакове јер ће то оштетити завршну обраду уређаја.

ОПРЕЗ: Никада не дозволите да вода или друге течности уђу у уређај док чистите

Технички подаци:

Захтеви за напајање:

Главна јединица: 230В ~ 50Хз

Даљински управљач: ЦР2025 3В

Одељак ДИСЦ плејера

Систем: Компактни диск и дигитални аудио систем Својства ласерске диоде

Трајање емисије: континуирано

Ласерски излаз: Мање од 44,6 мВ (овај излаз је мерење вредности на удаљености од 200 мм од објективне површине сочива на оптичком пријемном блоку са отвором од 7 мм.)

Фреквенцијски опсег

Одељак ФМ тјунера:

Опсег подешавања: 87.5 МХз-108.0 МХз (корак 50 кХз)

Снага звучника: 2к 5В

Мах: 28W



За заштиту животне средине: молимо вас да одвојите картонске кутије и пластичне кесе и одложите их у одговарајуће канте за смеће. Коришћени уређај треба да буде испоручен на наменске сакупљане тачке због оштрих компоненти, што може утицати на животну средину. Немојте одлагати овај уређај у заједничку корпу за отпатке.

SIKKERHEDSBETINGELSER VIGTIGE INSTRUKTIONER VEDRØRENDE

SIKKERHEDSVEJLEDNING Læs venligst omhyggeligt og hold dig til fremtidige referencer
Garantibetingelserne er forskellige, hvis enheden bruges til kommercielt formål.

1. Ved at bruge produktet skal du læse omhyggeligt og altid overholde følgende instruktioner. Producenten er ikke ansvarlig for eventuelle skader på grund af misbrug.
2. Produktet må kun bruges indendørs. Brug ikke produktet til noget formål, der ikke er kompatibelt med dets anvendelse.
3. Den gældende spænding er 230V, ~ 50Hz. Af sikkerhedsmæssige grunde er det ikke hensigtsmæssigt at tilslutte flere enheder til et stikkontakt.
4. Vær forsigtig, når du bruger omkring børn. Lad ikke børnene lege med produktet. Lad ikke børn eller personer, der ikke kender enheden, bruge den uden tilsyn.
5. **ADVARSEL:** Denne enhed kan anvendes af børn over 8 år og personer med nedsat fysisk, sensorisk eller mental kapacitet eller personer uden erfaring eller kendskab til enheden, kun under tilsyn af en person, der er ansvarlig for deres sikkerhed, eller hvis de blev instrueret om sikker brug af enheden og er opmærksomme på de farer, der er forbundet med dens drift. Børn bør ikke lege med enheden. Rengøring og vedligeholdelse af apparatet bør ikke udføres af børn, medmindre de er over 8 år, og disse aktiviteter udføres under tilsyn.
6. Hvis du er færdig med at bruge produktet, skal du altid huske at tage forsigtigt stikket ud af stikkontakten, der holder stikket ud med hånden. Træk aldrig strømkablet !!!
7. Sæt aldrig strømkablet, stikket eller hele enheden i vandet. Udsæt aldrig produktet under de atmosfæriske forhold som direkte sollys eller regn osv. Brug aldrig produktet under fugtige forhold.
8. Kontrollér strømkabelens tilstand. Hvis strømkablet er beskadiget, skal produktet drejes til et professionelt servicested, der skal udskiftes for at undgå farlige situationer.
9. Brug aldrig produktet med et beskadiget strømkabel, eller hvis det blev tabt eller beskadiget på nogen anden måde, eller hvis det ikke fungerer korrekt. Forsøg ikke at reparere det defekte produkt selv, da det kan føre til elektrisk stød. Skift altid den beskadigede enhed til et professionelt servicested for at reparere det. Alle reparationer kan kun udføres af autoriserede servicepersonale. Den reparation, der blev udført forkert, kan medføre farlige situationer for brugeren.
10. Udsæt aldrig produktet på eller tæt på de varme eller varme overflader eller køkkenudstyr som den elektriske ovn eller gasbrænder.
11. Brug aldrig produktet tæt på brændbare stoffer.
12. Lad ikke ledningen hænge over kanten af tælleren eller røre varme overflader.
13. Lad aldrig produktet forbinde til strømkilden uden tilsyn. Selv når brugen afbrydes i en kort periode, skal du slukke for det fra netværket, tag stikket ud af stikkontakten.
14. Ved at give yderligere beskyttelse anbefales det at installere resterende strømforsyning (RCD) i strømkredsløbet, med reststrøm ikke mere end 30 mA. Kontakt professionel elektriker i denne sag.
15. Undgå at få radioen våd.
16. Radioen må kun tørres af med en tør klud. Brug ikke vand eller rengøringsvæsker.
17. Radioen skal opbevares i et tørt rum.

APPARAT:

1. TÆND / SLUK STANDBY-INDIKATOR 2.KILDE 3.TID SET / HEMME-KNAP
4. TUNER CHANNEL - 5.AUX IN 6.USB 7.TUNER CHANNEL +
8. CD STOP KNAP / BLUETOOTH PAIR KNAP
9. CD / BLUETOOTH AFSPIL / PAUSE / RADIO AUTO SØG KNAP
10. CD / BLUETOOTH SKIP TIDLIGERE / TUNE - KNAP
11. CD / BLUETOOTH SKIP NÆSTE / TUNE + KNAP
12. VOLUME KONTROLNAP 13.LCD DISPLAY

14. CD-DØR Åbn / LUKK KNAP 15. CD DOOR 16. FM ANTENNA
17. HØVEDTELEJACK 18. HØJTALERSKONNEKTOR 19. VENDE HØJTALERSKOBLING
20. Jævnstrømsadapter 21. DATER TIL BATTERIERUM

FJERNBETJENING:

1. TÆND / SLUK STANDBY-INDIKATOR 2. DISC DIREKT SØG-KNAPP
3. PROG . KNAP 4. CD / USB-SPOR NED ELLER TID NED-KNAP, TUNER NED-KNAP.
5. EQUALIZER KNAP 6. REPEAT KNAP 7. X-BASS KNAP 8. RET NED KNAP
9. CD / BLUETOOTH AFSPIL / PAUSE / RADIO AUTO SØG KNAP
10. CD / BLUETOOTH SKIP TIDLIGERE / TUNE - KNAP
11. CD / BLUETOOTH SKIP NÆSTE / TUNE + KNAP
12. LOCK SET 13. LCD DISPLAY 14. CD DØREN Åbn / LUKK KNAPPEN
15. CD DOOR 16. FM ANTENNA 17. Hovedtelefonjække
18. HØJRE SPEAKER CONNECTOR 19. LEFT SPEAKER CONNECTOR
20. RANDOM KNAP OG INTRO KNAP 21. BATTERI RUMDØR
22. BT PLAY / PAUSE KNAPP 23. VOLUM OP EN NED KNAP
24. CD PLAY / PAUSE KNAPP 25. CD STOP KNAPPEN

SYSTEM TILSLUTNINGER

Sørg for at tage netledningen ud af stikkontakten, før stikket tages ud af stikkontakten.

AC strømtilslutning

Sæt netledningen i et tilgængeligt 230V ~ 50Hz AC-stik. Sørg for, at stikket er sat korrekt i stikkontakten.

Installation af batterier til batteri-sikkerhedskopiering

1. Fjern batterirummet, der er placeret i bunden af hovedenheden.
2. Følg polaritetsmarkeringerne inde i batterirummet, og indsæt 2 x AAA-batterier (ikke inkluderet) i de to batterispalter, der er placeret i batterirummet.
3. Sæt batteridækslet på igen.

NOTER:

- Når du udskifter sikkerhedskopieringsbatterier, skal du ikke tage netledningen ud af stikkontakten. Hvis du gør det, slettes alle de aktuelle dato- og alarmindstillinger.
- Hvis enheden ikke bliver tilsluttet stikket i lang tid, skal du fjerne batterierne for at undgå enhver skade, der kan opstå, hvis batterierne lækker og forårsager korrosion.

Fjernbetjening

Fjernbetjeningen fungerer på et CR2025 3V lithiumbatteri (inkluderet i fjernbetjeningen). For at aktivere fjernbetjeningen skal du fjerne isolatorfilanen, der er indsat i batterirummet.

Hvis fjernbetjeningen bliver intermitterende eller utilfredsstillende, skal du udskifte det originale batteri med et nyt CR2025 3V lithiumbatteri.

1. Tryk ned på rumdækslet, skub batteriholderen ud af fjernbetjeningshuset.
2. Udskift batteriet, og sørg for, at batteriet er korrekt installeret. Fjernbetjeningen fungerer ikke, hvis batteriet er installeret med forkert polaritet.

ADVARSEL:

- 1.) Eksplosionsfare, hvis batteriet udskiftes forkert.
- 2.) Udskift kun med det samme eller tilsvarende batteri.
- 3.) Sæt batteriholderen tilbage i batterispalten.

TURNING AF ENHEDET TIL / FRA

1. Tryk på POWER / STANDBY-knappen (A1, B1) på hovedenheden eller fjernbetjeningen i Off (standby) -tilstand for at tænde enheden. Enheden tændes, det sidst valgte ikonetilstand-ikon vises på LCD-display.
2. For at slukke for enheden (standby) skal du trykke på tænd / sluk-knappen POWER / STANDBY (A1, B1) på hovedenheden eller fjernbetjeningen igen. LCD-displayet bliver svagt og viser det aktuelle klokkeslæt. Indikatoren for standbytilstand lyser.

INDSTILLING AF UREN

Efter tilslutning af vekselstrømmen, vises "00:00" og begynder at blinke på LCD-displayet.

1. Tryk på CLOCK SET-knappen (B13) på fjernbetjeningen eller hovedenheden, og hold 24 timer-format "24H" i display.
2. Tryk på knappen Forrige / Næste (B4, B18) på fjernbetjeningen eller hovedenheden for at vælge 24-timers format om nødvendigt. Ellers skal du trykke på CLOCK SET (B12) -knappen for at bekræfte 12 timers urformat og gå ind i uropsætningstilstand, timecifrene vil blinke.
3. Tryk på knappen Forrige / Næste (B4, B18) på fjernbetjeningen eller hovedenheden for at justere timen. Tryk på knappen og hold den nede for hurtig indstilling af frem / tilbage.

Bemærk: Sørg for, at timen er indstillet, så PM-indikatoren vises korrekt.

4. Tryk på CLOCK SET (B12) -knappen på fjernbetjeningen for at bekræfte timeindstillingen, minutcifrene vil blinke for at bede om input.
5. Tryk på knappen Forrige / Næste (B4, B18) på fjernbetjeningen eller hovedenheden for at justere minuttet. Tryk på knappen og hold den nede for hurtig indstilling af frem / tilbage.
6. Tryk på CLOCK SET (B12) -knappen på fjernbetjeningen igen for at afslutte indstillingen.

BEMÆRK: Forudindstillinger af ur og radiostation skal nulstilles, hvis strømmen afbrydes eller i tilfælde af strømafbrydelse. "00:00" vises og begynder at blinke på LCD-displayet for at give dig besked om, at strømmen blev afbrudt, og uret skal nulstilles. Følg trin 1-6 ovenfor for at

nulstille uret

Tjekning af uret

Enheden viser det aktuelle klokkeslæt i standbytilstand. For at kontrollere det aktuelle klokkeslæt i Power ON-tilstand skal du trykke på CLOCK SET (B12) -knappen på hovedenheden eller fjernbetjeningen i 3 sekunder, den aktuelle tid vises i 5 sekunder og vende derefter tilbage til den forrige skærm.

ALARMFUNKTION (KUN FJERNKONTROL)

INDSTILLING af alarmen

Denne funktion giver systemet mulighed for at tænde automatisk og vække dig ved hjælp af en bialarm, cd, USB eller BU RADIO.

1. Tryk på TIMER (B13) -knappen på fjernbetjeningen, og hold den nede, indtil displayet viser "Til", og timecifrene blinker.
2. Tryk på knappen Forrige / Næste (B4, B18) for at justere timecifrene, og tryk derefter på TIMER-knappen for at bekræfte. Minutcifrene vil blinke på displayet.
3. Tryk på knappen Forrige / Næste (B4, B18) for at justere minutsifrene, og tryk derefter på knappen TIMER (B13) for at bekræfte.
4. Når den forrige / næste knap (B4, B18) er indstillet til timerur, vises displayet "OFF" og timecifrene blinker.
5. Tryk på knappen Forrige / Næste (B4, B18) for at justere timecifrene, og tryk derefter på knappen TIMER (B13) for at bekræfte. Minutcifrene vil blinke på displayet.
6. Tryk på knappen Forrige / Næste (B4, B18) på fjernbetjeningen for at justere minutsifrene, og tryk derefter på TIMER-knappen for at bekræfte.
7. Tryk på knapperne for at vælge CD-, USB-, BT- eller FM-tilstand, og tryk derefter på knappen TIMER (B13) for at bekræfte. Displayet viser "VOL #" og blinker.
8. Tryk på knappen Forrige / Næste (B4, B18) for at justere lydstyrken, og tryk derefter på TIMER-knappen for at bekræfte.
9. Tryk på TIMER (B13) -knappen for at vælge "Timer On", og timeren er nu sæt.
9. I standbytilstand vises timerikonet på displayet for at indikere, at timeren er tændt.

BEMÆRK:

- 1.) Hvis "Våg til CD, USB" er valgt, men en cd ikke er indsat, vil alarmen automatisk bippe alarmen, når alarmens vågentid er nået.
- 2.) For 'Wake to Radio' vil systemet som standard være den sidste FM-radiostation, der blev lyttet til, før den slukkes.
- 3.) Crescendo-alarmen stiger til det lydstyrkeniveau, du har indstillet.

AKTIV / DEAKTIV ALARMFUNKTION

1. Tryk på TIMER (B13) -knappen én gang for at aktivere ALARM, og alarmikonet vises på LCD-display.
2. Annuller ALARM-funktionen ved at trykke på TIMER (B13) -knappen igen. Alarmikonet slukkes.

Våg til Radio, CD, USB eller BUZZER Alarm

- Når alarmtiden er nået, lyder cd-, USB- eller radiobip-alarmen i 60 minutter, lukkes derefter og nulstilles for den følgende dag (uden at trykke på snooze-knappen).
- Tryk på POWER / STANDBY-knappen (A1, B1) på fjernbetjeningen eller på hovedenheden en gang for at stoppe alarmen umiddelbart efter, at den lyder. Den nulstiller sig selv den følgende dag.
- For at annullere den følgende dags alarm skal du trykke på TIMER (B13) KNAPEEN en gang, ALARM-ikonet slukker.

RADIO-BETJENING

1. Tryk på POWER / STANDBY-knappen (A1, B1) på hovedenheden eller fjernbetjeningen for at tænde for enheden.
2. Tryk på SOURCE-knappen (A1, B11) på hovedenheden eller fjernbetjeningen for at vælge FM-tilstand, FM-radiofrekvens vises på displayet.
3. Tryk gentagne gange på Track Down, Track up (A10, A11, B8, B18) på enten hovedenheden eller fjernbetjeningen for manuelt at indstille til en bestemt radiostation. Brug den manuelle indstillingsmetode til at indstille svagere stationer, der omgås under automatisk tuning.
4. For automatisk at stille ind på den næste tilgængelige radiostation skal du trykke på Track Down-knappen (A10, A11, B8, B18) på hovedenheden eller fjernbetjeningen i 1-2 sekunder, indtil frekvensudlæsning på displayet begynder at scanne og derefter slip knappen. Tuneren stopper scanningen, når den modtager den næste radiostation med tilstrækkelig signalstyrke.
5. Tryk på lydstyrken på hovedenheden eller fjernbetjeningen for at justere lydstyrken til det ønskede lydstyrkeniveau.

FM / FM stereomodtagelse

Når du lytter til FM-radioen, skal du trykke på ST./ MONO-knappen (B16) på fjernbetjeningen for at skifte mellem stereotilstand og monotilstand. FM-stereoikonet "ST" vises på displayet, hvis enheden er i stereotilstand. Det foretrækkes at modtage programmet i mono, når du modtager en svag station.

HINTS FOR BEDSTE MODTAGELSE:

FM - For den bedste FM-modtagelse er FM-ledningsantennen placeret på bagsiden af enheden skal pakkes helt ud og udvides.

BEMÆRK: Automatisk indstilling afhænger af signalstyrken på radiostationen, så svage stationer kan springes over. Du kan indstille manuelt for at finde de svage stationer, hvis en station bliver sprunget over. Med stærke signaler stopper tuneren muligvis, før den når den faktiske udsendelsesfrekvens, så du skal muligvis manuelt indstille for den bedste modtagelse.

PRESET RADIOSTATIONER

1. Tryk på POWER / STANDBY-knappen (A1, B1) på hovedenheden eller fjernbetjeningen for at tænde for enheden.

2. Tryk på SOURCE-knappen (A1, B11) på hovedenheden eller fjernbetjeningen for at vælge FM-radiotilstand.
3. Tryk og hold nedet for at trykke på knappen Spor ned, Spor op (A10, A11, B8, B18) på hovedenheden eller fjernbetjeningen, indtil frekvensudlæsning på skærmen begynder at scanne, og slip derefter knappen til automatisk søgning og programmering af forudindstillede kanaler. "PROG" vises på displayet og blinker. Autosøgning og program stopper ved P01, når scanningen er afsluttet, "PROG" vises jævnlige på displayet.
- Bemærk: Hvis kanalerne, der er gemt under den automatiske søgning og den programmerede forudindstilling, ikke er dem, du vil gemme, skal du bruge metoden herunder til manuelt at gemme radioforudindstillinger.
4. Indstil den ønskede radiostation enten ved "manuelt" eller "automatisk" indstillingsmetode.
5. Tryk på PROG . (B3) på fjernbetjening, det næste tilgængelige forudindstillede hukommelsesnummer og et blinkende PROG . (B3) -ikonet vises på LCD-displayet. (Bemærk: "P01" vises på displayet, hvis du programmerer forudindstillet første gang)
6. Tryk på PRE. Knappen (B15, B19) på hovedenheden eller fjernbetjeningen for at vælge det forudindstillede nummer, du vil tildele stationen til.
7. Tryk på PROG . (B3) Knap for at bekræfte indstillingen.
8. Gentag ovenstående trin 4 - 8 for at forudindstille op til 30 FM-stationer.

HENSTILLING AF PRESET HEMMELSE KANALER

1 radiotilstand skal du huske de forudindstillede kanaler ved at trykke på PRE. Knap (B15, B19) på fjernbetjening gentagne gange.

BETJENING AF CD-AFSPILLER

Bemærk:

1. Denne CD-afspiller afspiller ikke kun kommercielle cd'er, men også selvkompilede CD-R / RW, MP3-diske. Forsøg ikke at afspille CD-ROM, CDI, VCD , DVD eller computer CD'er.
2. MP3 er en form for komprimering. Det er et akronym, der står for MPEG Audio Layer 3. MP3 er en type lydkode, der behandles ved betydelig komprimering fra den originale lydkilde med meget lidt tab i lyd kvalitet.
- Dette system understøtter MPEG 1-lag 3 og VBR- filer.
- Under VBR -filafspilning kan tidsstøtteren i displayet afvige fra dens faktiske afspilningstid.
- Bitrate, der understøttes af MP3, er 32 ~ 320 kbps

LÆS DENNE VIGTIGE OPLYSNINGER:

CD-mekanismer, der bruges i enheder som dette, er designet til at læse alle kommercielle cd'er. Den vil også læse selvkompilet CD-R / CD-RW, MP3-diske, men det kan tage op til 10 sekunder, før den faktiske afspilning begynder. Hvis afspilningen ikke starter, skyldes det sandsynligvis kvaliteten af CD-R / RW , MP3-disken og / eller kompatibiliteten af CD-kompilationssoftwaren. Producenten er ikke ansvarlig for afspilningskvaliteten på CD-R / RW , MP3-diske.

Sæt ikke en etiket eller forsegling på hver side af CD-R / RW, MP3-disken. Det kan forårsage en funktionsfejl.

SPIKLING AF EN CD

1. Tryk på POWER / STANDBY-knappen (A1, B1) på hovedenheden eller fjernbetjeningen for at tænde for enheden.
2. Tryk på SOURCE-knappen (A1, B11) på fjernbetjeningen eller hovedenheden for at vælge CD-tilstand, og tryk derefter på Åbn diskrummet.
3. Placer en lyd-cd på den midterste spindel med etiketsiden udad mod cd-døren. Luk diskrummet.
4. Enheden begynder at læse disken, "----" vises på displayet og blinker. Efter få sekunder viser det samlede antal numre et sekund, og derefter vises den samlede tid på cd'en på LCD-DISPLAY.
5. Tryk på PLAY / PAUSE (A9, B22) -knappen på hovedenheden eller fjernbetjeningen, PLAY-indikatoren vises på displayet, CD'en begynder at afspille fra første spor.
6. Tryk på lydstyrkekontrol Juster lydstyrken. på hovedenheden eller fjernbetjeningen for at justere til det ønskede lydstyrkeniveau.
7. Tryk på PLAY / PAUSE (A9, B22) -knappen på hovedenheden eller fjernbetjeningen for at sætte afspilningen på pause. Spor tid stoppes og PAUSE indikator vises på displayet. For at genoptage afspilningen skal du trykke på CD PLAY / PAUSE (A9, B22) -knappen igen.
8. Du kan vælge at afspille dit yndlingsspor direkte ved at trykke på enten Track Down, Track up (A10, A11, B8, B18). LCD-displayet viser det valgte spornummer.
9. Hvis du vil finde et bestemt afsnit i et spor, skal du trykke på og holde sporet nede, spore op (A10, A11, B8, B18), indtil sektionen findes. Slip knappen for at fortsætte med at afspille dit valg.
10. For at stoppe afspilningen skal du trykke på STOP (A8, B25) -knappen.

PROCEDURE TIL AFSPILNING AF MP3-DISC

Sådan afspilles CD-R / RW, Mp3

1. Tryk på SOURCE-knappen (A1, B11) på fjernbetjeningen, og ilæg en MP3-disk.
 2. Tryk på knappen FOLDER (B15, B19) for at vælge den ønskede afspilningsmappe.
 3. Vælg den ønskede fil, der skal afspilles, ved at trykke på knappen Track Down, Track up (A10, A11, B8, B18).
 4. Tryk på PLAY / PAUSE (A9, B22). Afspilningen starter, og filnavnet vises.
- s I tilfælde af afspilning med mappetilstand aktiveret, skal du trykke på knappen FOLDER (B15, B19), og mappen kan vælges, selvom den er i afspilnings- / pausetilstand. Det fortsætter afspilning / pausetilstand i det første spor i den valgte mappe.

AT SPIL TILBAGE USB / MP3-AFSPILLER MED. MAPPEL

1. Tryk gentagne gange på SOURCE-knappen (A1, B11) på fjernbetjeningen eller SOURCE-knappen (A1, B11) på hovedenheden for at vælge USB-funktion. Tilslut USB-hukommelsesenheden, der har MP3-formatfiler på enheden. Når USB-hukommelsen er tilsluttet hovedenheden, vises enhedsinformationen.
 2. Tryk på knappen FOLDER (B15, B19) for at vælge den ønskede afspilningsmappe. Gå til trin for at starte afspilning med mappetilstand aktiveret.
 3. Vælg den ønskede fil, der skal afspilles ved at trykke på knappen Spor ned, Spor op (A10, A11, B8, B18).
 4. Tryk på PLAY / PAUSE (A9, B22). Afspilningen starter, og filnavnet vises.
- BEMÆRK:**

- Dette produkt er ikke kompatibelt med MTP- og AAC- filsystemer fra USB-masselagringsenhed eller MP3-afspiller.
- Denne enhed understøtter FAT16 og FAT32, men nogle USB-lagringsmedier understøtter muligvis ikke begge filsystemer. Se betjeningsvejledningen til den pågældende USB-lagerenhed for at få flere oplysninger, eller kontakt producenten.

Spring over og søge tilstand

1. Tryk på Track Down, Track up (A10, A11, B8, B18) -knap under Play eller Pause-tilstand for at gå til det næste spor eller gå tilbage til begyndelsen af det aktuelle spor.
2. Under afspilning skal du trykke og holde på Track Down, Track up (A10, A11, B8, B18) for at søge inden for det aktuelle spor med hørbar højhastighedsafspilning.

FORSKELLIGE AFSPILNINGSTILSTAND (KUN FJERNKONTROL)

Tryk gentagne gange på REPEAT-knappen (B6) på fjernbetjeningen for at vælge forskellige afspilningstilstande, når CD afspilles.

Når du afspiller CD, vises afspilningstilstande som nedenfor:

Gentage
Gentag alle
Normal

REPEAT 1 - det nummer, der afspilles og gentages kontinuerligt. Gentag et ikon "REPEAT 1" vises på displayet.

REPEAT ALL - alle spor gentages kontinuerligt. Gentag alt ikonet "REPEAT ALL" vises på displayet.

RANDOM SPIL

Når der trykkes på RANDOM (B20) -knappen tre, lyser "RDM" -indikatoren på LCD-displayet. Sporene på disken kan automatisk afspilles i tilfældig rækkefølge.

Sådan annulleres tilfældigt spil:

Tryk på RANDOM (B20) -knappen igen. "RDM" -indikator forsvinder.

BEMÆRK:

Hvis du trykker på knappen under tilfældig afspilning, kan du flytte til det spor, der er valgt næste ved den tilfældige handling. På den anden side tillader knappen ikke, at du flytter til det forrige spor. Begyndelsen på det nummer, der afspilles, vil blive placeret.

I tilfældig afspilning vil enheden vælge og afspille spor automatisk. (Du kan ikke vælge rækkefølgen af sporene.)

INTRO AFSPILNING

1. Tryk på INTRO (B20) på fjernbetjeningen. "INTRO (B20)" -indikatoren vises på displayet.

Enheden spiller de første 10 sekunder af hvert spor.

2. Tryk på INTRO (B20) på fjernbetjeningen igen for at genoptage normal afspilning

SPIL SPORSEKVENSPROGRAMMERING

Denne funktion gør det muligt at afspille sporene i en programmeret sekvens. Brugeren kan programmere op til 32 numre i CD-tilstand eller 99 spor i MP3 i ethvert

BEMÆRK: Program kan kun indstilles i STOP-tilstand.

1. Tryk på PROG . Knap (B3) på fjernbetjening, programnummeret "1" vises på displayet. " PROG " -ikonet og CD-spornummer "-" blinker også på LCD-displayet. (Bemærk: "1-" vises på displayet, hvis du programmerer første gang).

2. Brug Track Down, Track up (A10, A11, B8, B18) på hovedenheden eller fjernbetjeningen til at vælge det ønskede spor. Spornummeret vises på displayet.

3. Tryk på PROG . Knap (B3) på hovedenheden eller fjernbetjeningen for at gemme det valgte spor i hukommelsen, det næste programnummer fremføres et (dvs. "2") i LCD-display.

4. Gentag trin 2 til 3 for at gemme flere spor i hukommelsen. Du kan gemme op til CD 32-spor, MP3 99-spor. Displayet viser "FUL", når spor er blevet programmeret.

5. Tryk på PLAY / PAUSE (A9, B22). på hovedenheden eller fjernbetjeningen for at starte afspilningen af cd'en i den programmerede rækkefølge.

6. Tryk på REPEAT-knappen (B6) på fjernbetjeningen for at vælge Gentag 1 / Alle om nødvendigt.

7. Tryk på STOP-knappen (A8, B25) på hovedenheden eller fjernbetjeningen for at stoppe afspilningen.

For at annullere programafspilningen skal du trykke på STOP-knappen (A8, B25) på hovedenheden eller fjernbetjeningen to gange, " PROG " -ikonet forsvinder fra displayet.

BLUETOOTH BETJENING

Tryk på POWER / STANDBY-knappen (A1, B1) for at tænde for enheden og følg anvisningerne nedenfor for at oprette forbindelse via Bluetooth.

PAIRING (sammenkobling) af en BLUETOOTH-aktiveret mobiltelefon ELLER ANDRE BLUETOOTH-aktiveret enhed til enheden
Hvis CR 1173 aldrig før er parret med en Bluetooth-enhed. Du skal følge parringsinstruktionerne nedenfor for at linke enheden med din Bluetooth-enhed.

1. Tryk på POWER / STANDBY-knappen (A1, B1) på hovedenheden eller fjernbetjeningen for at tænde for enheden.

2. Tryk på SOURCE-knappen (A1, B11) på hoved- eller fjernbetjeningen for at vælge Bluetooth-tilstand, Bluetooth "bt" -meddelelse vises på displayet og blinker.

3. Hvis CR 1173 aldrig er blevet parret med en Bluetooth-enhed før eller ikke kan finde den sidst parrede enhed, vil den blinkende "bt" på LCD indikere, at XXX er i søgetilstand. Du skal følge parringsinstruktionerne nedenfor for at linke enheden med din Bluetooth-enhed.

· Tænd for din Bluetooth-enheds Bluetooth-funktion, og aktiver søg- eller scanningsfunktionen for at finde CR 1173.

· Vælg "CR 1173" fra enhedslisten, når den vises på din enhedsskærm. Indtast om nødvendigt adgangskoden "0000" for at parre (linke) CR 1173 med din enhed.

4. Efter at have parret (linket) med succes, ændres displayet til at vise "bt" jævnligt, Bluetooth-ikonet vises også på displayet. Du kan begynde at afspille musik fra din Bluetooth-enhed trådløst til højttaleren.

5. Når du har valgt din yndlingsang, skal du trykke på PLAY PAUSE (B22, A9) -knappen på enheden eller fjernbetjeningen for at afspille

eller sætte sangen på pause.

6. Tryk på lydstyrken på hovedenheden eller fjernbetjeningen for at justere det ønskede lydstyrkeniveau.

7. Tryk på Track Down, Track up (B8, B9) -knappen på hovedenheden eller fjernbetjeningen for at springe til forrige eller næste sang.

8. Hvis du vil parre enheden med en anden Bluetooth-aktiveret enhed, skal du trykke på og holde knappen PAIR (B10) nede i 3 sekunder eller slukke for Bluetooth-funktionen for enheden, der i øjeblikket er parret med enheden, og gentag derefter trin 3 ovenfor.

Bemærkninger:

- 1.) Se manualen på din mobiltelefon, tablet-pc, computer eller andre Bluetooth-aktiverede enheder til Bluetooth-drift, da det kan variere fra model til model.
- 2.) Hvis din Bluetooth-aktiverede enhed ikke understøtter A2DP-profil, afspiller den ikke musikken gennem højttaleren, selvom den er parret (knyttet).
- 3.) Hvis du parrer (forbinder) din computer med enheden ved hjælp af Bluetooth, skal du muligvis indstille højttaleren som din computers standardlydenhed.

AUXILIÆR INPUTBETJENING

Denne enhed har et ekstra lydsignalindgangsstik til tilslutning af eksterne lydenheder som MP3-afspillere, digital lydenhed og lyt til dem gennem højttalerne på denne enhed.

1. Brug et lyd kabel (medfølger ikke) med et 3,5 mm stereo stik i hver ende af kablet.

2. Sæt den ene ende i AUX IN JACK (A5) på hovedenheden og den anden ende af kablet i Line-out-stikket eller hovedtelefonstikket på din eksterne lydenhed.

3. Tænd for enheden og den eksterne lydenhed.

4. Tryk på SOURCE-knappen (A1, B11) på hoved- eller fjernbetjeningen for at vælge AUX-tilstand, "AUX" -ikonet tændes, displayet viser "AUX" -meddelelse.

5. Lydstyrkeniveauet kan nu styres gennem hovedenheden. Betjen alle andre funktioner på hjælpeenheden som sædvanligt.

Bemærk:

· Hvis du slutter denne enhed til Line-Out-stikket på din eksterne enhed, skal du kun justere lydstyrkekontrollen på denne enhed. Hvis du tilslutter hovedtelefonkontakten på din eksterne enhed, skal du muligvis justere både lydstyrkekontrollerne på din eksterne enhed og denne enhed for at få den ønskede lydstyrkeindstilling.

PRESET EQ (KUN FJERNKONTROL)

Denne enhed giver 4 forskellige EQ-tilstande for at forbedre din lytteoplevelse. Du kan vælge den ønskede effekt ved at trykke gentagne gange på EQ-knappen (B5) på fjernbetjeningen i følgende rækkefølge:

ROCK POP JAZZ CLASSIC OFF

SLUK KNUT (KUN FJERNKONTROL)

· Tryk på MUTE-knappen (B21) på fjernbetjeningen for at dæmpe lydudgangen fra højttaleren midlertidigt. "V 00" vises på displayet.

· Tryk på MUTE-knappen (B21) igen eller VOLUME CONTROL (B23, A12) for at genoptage den normale højttalerafspilning.

SOVEBETINGELSER (KUN FJERNKONTROL)

Sovetimeren giver dig mulighed for at slukke for enheden, når det angivne tidspunkt er nået.

1. For at aktivere sleep-timeren skal du tænde for enheden og trykke på SOURCE-knappen (A1, B11) for at vælge FM-radio, CD, USB, Bluetooth eller lytte til musik via AUX IN.

2. Tryk på SLEEP-knappen (B14) på fjernbetjeningen, dvaletidsikonet "SLEEP" vises på displayet.

3. Tryk gentagne gange på SLEEP-knappen (B14) for at vælge en hviletid. Enheden slukkes efter 10, 20, 30, 40, 50, 60, 70, 80 eller 90 minutter. Vent i 3 sekunder efter dit valg for enheden for at bekræfte valget, enheden spiller i det valgte tidsrum og slukker automatisk.

4. For at annullere sleep-timeren skal du trykke gentagne gange på SLEEP-knappen (B14), indtil timeren viser "OFF", hviletidsikonet "SLEEP" forsvinder på displayet

5. Tryk på POWER / STANDBY-knappen (A1, B1) når som helst for at slukke for enheden inden det valgte tidsrum.

Bemærkninger:

1.) For at kontrollere den resterende hviletid, skal du trykke på SLEEP-knappen (B14) en gang.

2.) Hvis du falder i søvn til musik fra en ekstern enhed, der er tilsluttet AUX-indgangen, slukker sleep-timeren for strømmen til dette system, men det slukker ikke den eksterne enhed.

BRUG AF Hovedtelefoner (ikke inkluderet)

Indsættelse af stikket til dine hovedtelefoner i stereo hovedtelefonstik (A17) giver dig mulighed for at lytte til cd'en eller radiomusikken privat. Når du bruger hovedtelefoner, kobles de indbyggede højttalere fra.

LÆS DETTE VIGTIGE OPLYSNINGER, FØR DU BEGYNDER DIN HOVEDTELEFONER

1. Undgå udvidet spil ved meget høj volumen, da det kan forringe din hørelse.

2. Hvis du oplever øresus, skal du reducere lydstyrken eller slukke for enheden.

3. Hold lydstyrken på et rimeligt niveau, selvom dit headset er en udendørs type, der er designet til at give dig mulighed for at høre lyde udenfor. Bemærk, at alt for høj lydstyrke stadig kan blokere lyde udefra.

NULSTILLING

Hvis systemet ikke reagerer eller har uregelmæssig drift, kan du have oplevet en elektrostatisk afladning (ESD) eller en strømstød, der udløste den interne computer til at lukke ned automatisk. Hvis dette sker, skal du tage stikket til netledningen ud af strømkilden, vente i 60

sekunder, og sæt derefter ledningen i stikkontakten igen. Enheden nulstilles, du skal indstille ur, alarm og forudindstillede radiokanaler.

PLEJE OG VEDLIGEHOLDELSE

1. Udsæt ikke enheden for stor kraft, stød, støv eller ekstrem temperatur (Over 40C).
2. Undgå at manipulere enhedens interne komponenter.
3. Rengør din enhed med en tør klud. Opløsningsmiddel eller vaskemiddel bør aldrig bruges.
4. Undgå at forlade enheden i direkte sollys eller på varme, fugtige eller støvede steder.
5. Hold enheden væk fra varmeapparater og kilder til elektrisk støj, f.eks. Lysstofrør eller motorer.
6. Hvis drop-outs eller afbrydelser forekommer i musikken under cd-afspilning, eller hvis cd'en overhovedet ikke afspilles, kan det være nødvendigt at rengøre dens bundflade. Før du spiller, skal du tørre disken ud fra midten med en god, blød rengørings klud.

RENGØRING AF ENHEDET

- For at forhindre fare for brand eller stød, skal du afbryde enheden fra vekselstrømskilden, når du rengør.
- Overfladen på enheden kan rengøres med en støvklud og plejes som andre møbler. Vær forsigtig, når du rengør og aftørrer plastdelene.
- Hvis kabinettet bliver støvet, tør det af med en blød, tør støvklud. Brug ikke voks eller poleringsspray på skabet.
- Hvis frontpanelet bliver beskidt eller udtværet med fingeraftryk, kan det rengøres med en blød klud let fugtet med en mild sæbe- og vandopløsning. Brug aldrig slibende klude eller lakker, da disse vil beskadige finishen på din enhed.

FORSIGTIG: Lad aldrig vand eller andre væsker komme ind i enheden under rengøring

Teknisk data:

Strømkrav:
Hovedenhed: 230V ~ 50Hz
Fjernbetjening: CR2025 3V
DISC-afspillerafdeling
System: Kompakt disk- og digitalt lydssystem Laserdiodeegenskaber
Emission Varighed: Kontinuerlig
Laserudgang: Mindre end 44,6 mW (Dette output er værdimåling i en afstand af 200 mm fra objektivlinsens overflade på den optiske pick-upblok med 7 mm blænde.)
Frekvensområde
FM-tunersektion:
Indstillingsområde: 87,5 MHz-108,0 MHz (50 kHz trin.)

Højtalereffekt: 2x 5W

Max: 28W



Af hensyn til miljøet . Venligst overfør papemballage til affaldspapir. Hæld polyethylenposer (PE) i plastbeholderen Slidt enhed skal returneres til det relevante punkt opbevaring, fordi det er farligt i enheden ingredienser kan udgøre en trussel for miljøet. Den elektriske enhed skal overleveres for at begrænse dets genanvendelse og brug. Hvis i enheden der er batterier, fjern dem og vende tilbage til punktet opbevares separat.

УМОВИ БЕЗПЕКИ ВАЖЛИВІ ІНСТРУКЦІЇ З ТЕХНІКИ БЕЗПЕКИ ВИКОРИСТАННЯ ПОЖАЛУЙСТА ПРОЧИТАЙТЕ ВНИМАТЕЛЬНО І ЗБЕРЕЖІТЬСЯ ДЛЯ БУДІВЛІ

Умови гарантії відрізняються, якщо пристрій використовується в комерційних цілях.

1. Перед використанням продукту уважно прочитайте та завжди дотримуйтесь наступних інструкцій. Виробник не несе відповідальності за будь-які збитки, спричинені будь-яким неправильним використанням.
2. Продукт можна використовувати тільки в приміщенні. Не використовуйте виріб для будь-яких цілей, які не сумісні з його застосуванням.
3. Використовується напруга 230В, ~ 50Гц. З міркувань безпеки не варто підключати кілька пристроїв до однієї розетки.
4. Будьте обережні під час використання дітей. Не дозволяйте дітям грати з продуктом. Не дозволяйте дітям або людям, які не знають пристрій, використовувати його без нагляду.
5. **УВАГА:** Цей пристрій може використовуватися дітьми старше 8 років та особами зі зниженими фізичними, сенсорними або розумовими можливостями або особами, які не мають досвіду або знань про пристрій, тільки під наглядом особи, відповідальної за їх безпеку, або якщо вони проінструктовані про безпечне використання пристрою і знають про небезпеки, пов'язані з його експлуатацією. Діти не повинні грати з пристроєм. Прибирання та технічне обслуговування пристрою не повинні здійснюватися дітьми, якщо вони не досягли 8-річного віку, і ці заходи здійснюються під наглядом.
6. Після завершення використання виробу завжди пам'ятайте, що обережно вийміть вилку з розетки, що тримає розетку рукою. Ніколи не тягніть силовий кабель !!!
7. Ніколи не кладіть кабель живлення, штепсель або весь пристрій у воду. Ніколи не піддавайте виріб атмосферним умовам, таким як пряме сонячне світло або дощ, і т.д. Ніколи не використовуйте виріб у вологих умовах.
8. Періодично перевірте стан кабелю живлення. Якщо кабель живлення пошкоджено, виріб необхідно повернути у професійне місце для заміни, щоб уникнути небезпечних ситуацій.
9. Не використовуйте виріб із пошкодженим кабелем живлення або якщо він випав або пошкоджений іншим способом або якщо він не працює належним чином. Не намагайтеся самостійно відремонтувати несправний виріб, оскільки це може призвести до ураження електричним струмом. Завжди перевертайте пошкоджений пристрій у професійне місце для обслуговування. Усі ремонтні роботи можуть виконувати лише авторизовані спеціалісти служби технічного обслуговування. Неправильно виконаний ремонт може спричинити небезпечні ситуації для користувача.
10. Ніколи не кладіть виріб на гарячу або теплу поверхню або поблизу нею, а також на прилади кухні, такі як електрична піч або електрична плита або газовий пальник.
11. Ніколи не використовуйте продукт близький до горючих речовин.
12. Не дозволяйте шнуру повісити на край лічильника або торкнутися гарячих поверхонь.
13. Не залишайте пристрій підключеним до джерела живлення без нагляду. Навіть у випадку короточасного використання, вимкніть його з мережі, відключіть живлення.
14. Щоб забезпечити додатковий захист, рекомендується встановити в силовому контурі пристрій відключення струму (RCD) з залишковим струмом не більше 30 мА. Зверніться до професійного електрика з цього питання.
15. Уникайте намокнення радіо.
16. Радіо можна витирати тільки сухою тканиною. Не використовуйте воду або рідини для чищення.
17. Радіоприймач слід зберігати в сухому приміщенні. Опис пристрою:

ПРИСТРІЙ:

1. ВИМКНЕННЯ / ВИМКНЕННЯ СИСТЕМИ ПОСТАВКИ 2. СИСТЕМА 3. НАСТРОЙКА ВРЕМЯ / КАМΠΑНІЯ ПАМ'ЯТІ
4. КАНАЛ ТУНЕРУ - 5.AUX IN 6.USB 7.TUNER CHANNEL +
8. Кнопка зупинки компакт-дисків / КЛЮЧ БЛЮТООТНОГО ПАРА
9. CD / BLUETOOTH PLAY / PAUSE / RADIO AUTO ПОШУК Кнопка
10. CD / BLUETOOTH SKIP ПОПЕРЕДНЯ / ТУН - Кнопка
11. CD / BLUETOOTH SKIP NEXT / TUNE + Кнопка
12. КОНТРОЛЬНИЙ КОНТРОЛЬНИЙ КОНТРОЛЬ 13. Дисплей LCD
14. CD ДВЕРІ ВІДКРИТИ / ЗАКРИТИ Кнопку 15.CD ДВЕРІ 16.FM ANTENNA
17. Гніздо для навушників 18. ПРАВИЛЬНИЙ СПІКЕР
20. Адаптер живлення постійного струму 21

ПУЛЬТ:

1. ПОКАЗНИК ВКЛЮЧЕННЯ / ВИМКНЕННЯ СТАНДАРТНОГО ПОКАЗНИКА
3. ПРОГ . Кнопка 4. Кнопка відслідковування CD / USB або кнопка вниз, вниз кнопка, кнопка вниз.
5. КНОПКА ЕКВАЛІЗАЦІЇ 6. КУПІТКА РЕАКЦІЇ 7. Кнопка 7.X-BASS 8.TRACK DOWN Кнопка
9. CD / BLUETOOTH PLAY / PAUSE / RADIO AUTO ПОШУК Кнопка
10. CD / BLUETOOTH SKIP ПОПЕРЕДНЯ / ТУН - Кнопка
11. CD / BLUETOOTH SKIP NEXT / TUNE + Кнопка
12. НАСТРОЙКА ЗАКРІВЛЕННЯ 13.LCD DISPLAY 14.CD ДВЕРІ ВІДКРИТЬ / ЗАКРИТИ
15. CD DOOR 16.FM ANTENNA 17. Роз'єм для навушників
18. ПРАВИЛЬНИЙ СПІКЕРНИЙ СПІКНІР 19.LEFT SPEAKER CONNECTOR
20. ДВЕРІ КУПЛЕННЯ І ВНУТРЕННЯ ДВЕРІ 21
22. BT PLAY / PAUSE Кнопка 23.ВІДКЛЮЧИТИ КОРОТКУ Вниз
24. Кнопка відтворення CD / PAUSE 25.CD Кнопка зупинки

ПІДСУМКИ СИСТЕМИ

Переконайтесь, що вимкнено шнур живлення змінного струму з розетки, перш ніж здійснювати з'єднання.

Підключення до змінного струму

Підключіть шнур живлення змінного струму до наявної розетки змінного струму 230 В ~ 50 Гц. Переконайтесь, що штепсель надійно вставлений у розетку змінного струму.

Встановлення батарей для резервного копіювання акумулятора

1. Зніміть кришку батарейного відсіку, розташовану в нижній частині основного пристрою.
2. Дотримуйтесь позначок полярності всередині відсіку для акумуляторів і вставте 2 x батареї AAA (не входять у комплект) у два гнізда акумулятора, розташовані в батарейному відсіку.
3. Замініть дверцята акумулятора.

ПРИМІТКИ:

- Під час заміни резервних акумуляторів не відключайте шнур живлення змінного струму від розетки. Якщо це зробити, всі поточні дати та налаштування тривоги буде стерто.
- Якщо пристрій тривалий час залишатиметься вимкненим від вилки, вийміть батареї, щоб уникнути будь-яких пошкоджень, які можуть виникнути, якщо батареї просочуються та спричинять корозію.

Пульт

Пульт дистанційного керування працює на одному літєвому акумуляторі CR2025 3V (в комплекті - пульт). Щоб активувати пульт дистанційного керування, зніміть вкладку ізолятора, вставлену в батарейний відсік.

Якщо віддалене управління стає переривчастим або незадовільним, замініть оригінальний акумулятор новим літєвим акумулятором CR2025 3V.

1. Натисніть на кришку відділення, висуньте тримач акумулятора з корпусу пульту дистанційного керування.
- 2.Замініть акумулятор, переконавшись, що акумулятор встановлено правильно. Пульт не працюватиме, якщо батарея встановлена з неправильною полярністю.

ОБЕРЕЖНО:

- 1.) Небезпечна заміна акумулятора при небезпеці вибуху.
- 2.) Замінійте лише акумулятор того ж або аналогічного типу.
- 3.) Вставте держатель акумулятора назад в гніздо для акумулятора.

ВИМКНЕННЯ / ВИКЛ. ВИМКНЕННЯ ВИМОГИ

1. У режимі вимкнення (в режимі очікування) натисніть кнопку POWER / STANDBY (A1, B1) на головному блоці або на пульті дистанційного керування, щоб увімкнути пристрій. Пристрій увімкнеться, на РК-дисплеї з'явиться останній вибраний значок режиму введення.
2. Щоб вимкнути пристрій (режим очікування), знову натисніть кнопку включення живлення / режиму очікування (A1, B1) на головному блоці або на пульті дистанційного керування. РК-дисплей затьмариться та відобразить поточний час. Індикатор режиму очікування горить.

Встановлення годинника

Після підключення живлення змінного струму на РК-дисплеї з'явиться "00:00" і почне блимати.

1. У режимі вимкнення живлення (в режимі очікування) натисніть і утримуйте кнопку «БІЛЬШИЙ НАСТРОЙКА» (B13) на пульті

- дистанційного керування або на головному блоці, на дисплеї відобразиться формат «24Н» 24 години.
2. Торкніться кнопки Попередня / Наступна (B4, B18) на пульті дистанційного керування або основного блоку, щоб вибрати необхідний формат 24 години В іншому випадку натисніть кнопку CLOCK SET (B12), щоб підтвердити формат годинника 12 годин і перейти в режим настройки годинника, цифри години будуть блимати.
 3. Торкніться кнопки «Попередній / Наступний» (B4, B18) на пульті дистанційного керування або основного блоку, щоб налаштувати годину. Натисніть та утримуйте кнопку для швидкого налаштування вперед / назад.
- Примітка. Переконайтесь, що година встановлена таким чином, щоб індикатор PM відображався правильно.
4. Натисніть кнопку CLOCK SET (B12) на пульті дистанційного керування, щоб підтвердити встановлення години, цифри хвилин будуть блимати, щоб запросити введення.
 5. Торкніться кнопки «Попередній / Наступний» (B4, B18) на пульті дистанційного керування або основного блоку, щоб регулювати хвилину. Натисніть та утримуйте кнопку для швидкого налаштування вперед / назад.
 6. Знову натисніть кнопку дистанційного керування CLOCK SET (B12) для завершення налаштування.

ПРИМІТКА. Якщо попередні налаштування годинника та радіостанції потрібно буде скинути, якщо живлення перервано або в разі відключення живлення. На РК-дисплеї з'явиться повідомлення «00:00», яке сповістить про те, що живлення було перервано, і годинник потрібно буде скинути. Для скидання годинника виконайте кроки 1-6 вище.

ПЕРЕВІРКА ЧАСУ

Пристрій відобразить поточний час у режимі очікування. Щоб перевірити поточний час у режимі живлення, натисніть і утримуйте кнопку CLOCK SET (B12) на головному блоці або на пульті 3 секунди, поточний час відобразиться протягом 5 секунд, а потім повернеться до попереднього екрану.

ЕКСПЛУАТАЦІЯ БЕЗКОШТОВНОГО ЗАБЕЗПЕЧЕННЯ (ТІЛЬКИ ДИСТАНЦІЙНИЙ КОНТРОЛЬ)

Встановлення будильника

Ця функція дозволяє системі вмикатися автоматично і будить вас за допомогою звукового сигналу, компакт-диска, USB або BU RADIO.

1. Натисніть і утримуйте кнопку TIMER (B13) на пульті дистанційного керування, поки на дисплеї не з'явиться "On", і цифри години спалахнуть.
 2. Натисніть кнопки «Попередня / Наступна» (B4, B18) для регулювання цифр за годину, а потім натисніть кнопку TIMER для підтвердження. На дисплеї спалахнуть цифри хвилин.
 3. Натисніть кнопки "Попередня / Наступна" (B4, B18), щоб відрегулювати цифри хвилин, а потім натисніть кнопку TIMER (B13) для підтвердження.
 4. Коли встановлено набір попереднього / наступного (B4, B18) режиму таймер, на дисплеї з'явиться "OFF", а цифри годин почнуть блимати.
 5. Натисніть кнопки «Попередня / Наступна» (B4, B18) для регулювання цифр за годину, а потім натисніть кнопку TIMER (B13) для підтвердження. На дисплеї спалахнуть цифри хвилин.
 6. Натисніть кнопки «Попередня / Наступна» (B4, B18) на пульті дистанційного керування, щоб відрегулювати цифри хвилин, а потім натисніть кнопку TIMER для підтвердження.
 7. Натисніть кнопки, щоб вибрати режим CD, USB, BT або FM, а потім натисніть кнопку TIMER (B13) для підтвердження. На дисплеї з'явиться "VOL #" і спалахне.
- Для регулювання гучності натисніть кнопки «попередній / наступний» (B4, B18), а потім натисніть кнопку TIMER для підтвердження.
8. Натисніть кнопку TIMER (B13), щоб вибрати "Таймер увімкнено", і Таймер зараз набір.
 9. У режимі очікування на дисплеї з'явиться піктограма таймера, щоб вказати, що таймер увімкнено.

ПРИМІТКА:

- 1.) Якщо вибрано "Wake to CD, USB", але компакт-диск не вставлений, то сигналізація за замовчуванням автоматично надходить до сигналу Veeping Alarm, коли буде досягнуто час пробудження тривоги.
- 2.) У режимі "Прокидання до радіо" система за замовчуванням прослуховує останню FM-радіостанцію, яку слухали перед вимиканням.
- 3.) Сигналізація про кресендо збільшиться до встановленого рівня гучності.

ФУНКЦІЯ АКТИВНОЇ / БЕЗ-АКТИВНОЇ АЛАРМИ

1. Щоб активувати АЛАРМУ, торкніться кнопки TIMER (B13) один раз, і піктограма будильника з'явиться на РК-дисплеї.
2. Скасуйте функцію ALARM, знову натиснувши кнопку TIMER (B13). Піктограма тривоги згасне.

Прокидайтеся до радіо, компакт-дисків, USB або будильника тривоги

- Коли настане час тривоги, будильник CD, USB або радіозвуку пролунає протягом 60 хвилин, після чого вимкнеться та скинеться на наступний день (без натискання кнопки затримки).
- Щоб зупинити будильник одразу після його звучання, торкніться кнопки POWER / STANDBY (A1, B1) на пульті дистанційного керування або на головному пристрої один раз. Він скидає себе на наступний день.
- Щоб скасувати будильник на наступний день, торкніться кнопки TIMER (B13) один раз, піктограма ALARM вимикається.

РАДІО ОПЕРАЦІЯ

1. Натисніть кнопку POWER / STANDBY (A1, B1) на головному блоці або на пульті дистанційного керування, щоб увімкнути пристрій.
2. Натисніть кнопку SOURCE (A1, B11) на головному пристрої або на пульті дистанційного керування, щоб вибрати режим FM, на дисплеї з'явиться частота FM-радіо.
3. Щоб налаштувати вручну певну радіостанцію, кілька разів торкніться відстеження, відстеження (A10, A11, B8, B18) або на головному пристрої, або на пульті дистанційного керування. Використовуйте метод ручної настройки для налаштування слабкіших станцій, які обходять під час автоматичної настройки.
4. Щоб автоматично налаштувати наступну радіостанцію, натисніть і утримуйте кнопку відстеження (A10, A11, B8, B18) на головному пристрої або пульті протягом 1-2 секунд, поки зчитування частоти на дисплеї не почне сканувати, а потім відпустіть кнопку. Тюнер припинить сканування, коли отримає наступну радіостанцію відповідної потужності сигналу.

5. Натисніть регулятор гучності на головному пристрої або на пульті дистанційного керування, щоб регулювати рівень гучності до потрібного рівня гучності.

FM / FM стереоприйом

Під час прослуховування FM-радіо натисніть кнопку ST./ MONO (B16) на пульті дистанційного керування, щоб переключитися між стереорежимом та монорежимом. Якщо стереотип перебуває у режимі стереорежиму, на дисплеї з'явиться значок стерео FM. Переважно отримувати програму одночасно, коли ви отримуєте слабку станцію.

ПІДСУМКИ ДЛЯ найкращого прийому:

FM - для найкращого прийому FM, провідна антена FM, розташована на задній панелі пристрою повинні бути повністю розгорнуті та розширені.

ПРИМІТКА: Автоматична настройка залежить від сили сигналу радіостанції, тому слабкі станції можуть бути пропущені. Ви можете налаштувати вручну, щоб знайти слабкі станції, якщо станцію пропускають. При сильних сигналах тюнер може зупинитися до досягнення фактичної частоти трансляції, тому для кращого прийому вам може знадобитися налаштування вручну.

ПРЕСЕТ РАДІО СТАНЦІЙ

1. Натисніть кнопку POWER / STANDBY (A1, B1) на головному блоці або на пульті дистанційного керування, щоб увімкнути пристрій.
2. Торкніться кнопки ДЖЕРЕЛ (A1, B11) на головному пристрої або на пульті дистанційного керування, щоб вибрати режим FM-радіо.
3. Натисніть і утримуйте натисніть кнопку «Відстежувати», «Відстежувати» (A10, A11, B8, B18) на головному блоці або на пульті дистанційного керування, поки зчитування частоти на дисплеї не почне сканувати, а потім відпустіть кнопку для автоматичного пошуку та програмування попередньо встановлених каналів. На дисплеї та блимає індикація " PROG ". Автоматичний пошук і програма зупиняться на P01 після завершення сканування, на дисплеї постійно відображається " PROG ".
Примітка: Якщо канали, що зберігаються під час автоматичного пошуку та запрограмованих попередніх налаштувань, не є такими, які ви хочете зберегти, скористайтеся поданим нижче способом для збереження радіостанцій вручну.
4. Налаштуйте потрібну радіостанцію методом настройки «вручну» або «автоматично».
5. Натисніть PROG . (B3) на пульті дистанційного керування, наступний наявний попередньо встановлений номер пам'яті та миготливий PROG . (B3) значок з'явиться на РК-дисплеї. (Примітка: "P01" відобразиться на дисплеї, якщо ви програмуєте попередньо встановлені налаштування)
6. Торкніться PRE. Кнопка (B15, B19) на головному пристрої або на пульті дистанційного керування, щоб вибрати номер попереднього налаштування, якому ви хочете призначити станцію.
7. Натисніть PROG . (B3) Кнопка для підтвердження налаштування.
8. Повторіть вище кроки 4 - 8, щоб встановити до 30 FM-станцій.

ЗНАЙНЕННЯ ПЕРЕГЛЯДУВАННЯ ПЕРЕМОГИ КАНАЛІВ

У режимі радіо нагадуйте попередньо встановлені канали, натиснувши кнопку PRE. Кнопка (B15, B19) на пульті управління кілька разів.

ЕКСПЛУАТАЦІЯ ПРОГРАМУВАННЯ CD

Примітка:

1. Цей програвач компакт-дисків не тільки відтворюватиме комерційні компакт-диски, але й самостійно складені CD-R / RW, MP3-диски. Не намагайтеся відтворювати компакт-диски CD-ROM, CDI, VCD , DVD або комп'ютери.
2. MP3 - це форма стиснення. Це аббревіатура, яка розшифровується як MPEG Audio Layer 3. MP3 - це тип аудіо-коду, який обробляється значним стисненням від вихідного джерела звуку з дуже невеликою втратою якості звуку.
 - Ця система підтримує файли MPEG 1 рівня 3 та VBR .
 - Під час відтворення файлів VBR лічильник часу на дисплеї може відрізнятися від фактичного часу відтворення.
 - Біт, який підтримується MP3, становить 32 ~ 320 кбіт / с

ПРОЧИТАЙТЕ ЦЕ ВАЖЛИВУ ІНФОРМАЦІЮ:

Механізми CD, які використовуються на таких пристроях, призначені для читання всіх комерційних компакт-дисків. Він також буде читати самостійно складені CD-R / CD-RW, MP3-диски, але для початку фактичного відтворення може знадобитися до 10 секунд. Якщо відтворення не починається, це, мабуть, пов'язано з якістю CD-R / RW , MP3-диска та / або сумісністю програмного забезпечення для збирання компакт-дисків. Виробник не несе відповідальності за якість відтворення CD-R / RW , MP3-дисків. Не прикріплюйте етикетку чи печатку в обидві сторони CD-R / RW, MP3-диска. Це може призвести до несправності.

Відтворення CD

1. Натисніть кнопку POWER / STANDBY (A1, B1) на головному блоці або на пульті дистанційного керування, щоб увімкнути пристрій.
2. Натисніть кнопку ДЖЕРЕЛ (A1, B11) на пульті дистанційного керування або основний блок, щоб вибрати режим CD, а потім натисніть кнопку Відкрити відділення для дисків.
3. Помістіть аудіо компакт-диск на центральний шпіндель, його сторона етикетки спрямована назовні до дверей CD. Закрийте відділення для дисків.
4. Пристрій починає читати диск, на дисплеї та блимає індикатор "----". Через кілька секунд загальна кількість записів покаже одну секунду, а потім загальний час компакт-диска відобразиться на РК-дисплеї.
5. Натисніть кнопку PLAY / PAUSE (A9, B22) на головному пристрої або на пульті дистанційного керування, на дисплеї відобразиться індикатор PLAY, CD почне відтворювати з першого треку.
6. Натисніть регулятор гучності Настройка гучність, на головному пристрої або на пульті дистанційного керування, щоб налаштувати бажаний рівень гучності.
7. Щоб призупинити відтворення, натисніть кнопку PLAY / PAUSE (A9, B22) на головному пристрої або на пульті дистанційного керування. Час треку буде призупинено, і на дисплеї відобразиться індикатор PAUSE. Щоб відновити програвання, знову натисніть кнопку CD PLAY / PAUSE (A9, B22).
8. Ви можете обрати пряму улюблену композицію безпосередньо, натиснувши кнопку "Відстежувати", "Відстежувати" (A10, A11, B8, B18). На РК-дисплеї буде вказано вибраний правильний номер доріжки.
9. Щоб знайти певний розділ у межах доріжки, натисніть і потримайте Track Down, Track up (A10, A11, B8, B18), поки розділ не знайдеться. Відпустіть кнопку, щоб продовжувати програвати вибір.

10. Для припинення відтворення натисніть кнопку STOP (A8, B25).

ПРОЦЕДУРА ПІДГОТОВКИ MP3 DISC

Для відтворення CD-R / RW, Mp3

1. Натисніть кнопку SOURCE (A1, B11) на пульті дистанційного керування та завантажте диск Mp3.
 2. Натисніть кнопку FOLDER (B15, B19), щоб вибрати потрібну папку відтворення.
 3. Виберіть потрібний файл для відтворення, натиснувши кнопку «Відстежувати», «Відстежувати» (A10, A11, B8, B18).
 4. Натисніть PLAY / PAUSE (A9, B22). Почнеється відтворення, а також буде показано ім'я файлу.
- s У разі відтворення при включеному режимі папки натисніть кнопку FOLDER (B15, B19), і папку можна вибрати, навіть якщо вона знаходиться в режимі відтворення / паузи. Він продовжить режим відтворення / паузи в 1-й доріжці вибраної папки.

ГРАТИ ВЗАЄМОГО ПЛЮСА USB / MP3 З СТАРОЮ

1. Натисніть кнопку SOURCE (A1, B11) на пульті дистанційного керування або кнопку SOURCE (A1, B11) на головному пристрої, щоб вибрати функцію USB. Підключіть USB-пристрій пам'яті, у якому на пристрої є файли формату MP3. Коли USB-пам'ять підключена до основного блоку, відобразиться інформація про пристрій.
2. Натисніть кнопку FOLDER (B15, B19), щоб вибрати потрібну папку відтворення. Щоб розпочати відтворення з увімкненим режимом папок, перейдіть до кроку.
3. Виберіть потрібний файл для відтворення, натиснувши кнопку «Відстежувати», «Відстежувати» (A10, A11, B8, B18).
4. Натисніть PLAY / PAUSE (A9, B22). Почнеється відтворення, і відобразиться ім'я файлу.

ПРИМІТКА:

- Цей продукт не сумісний з файловими системами MTP та AAC з USB-накопичувача або MP3-програвача.
- Цей пристрій підтримує FAT16 і FAT32, але деякі носії USB можуть не підтримувати обидві файлові системи. Детальніше див. У посібнику з експлуатації відповідного USB-накопичувача або зверніться до виробника.

РЕЖИМ ПОСАДКИ ТА ПОШУКУ

1. У режимі "Відтворення" або "Пауза" торкніться кнопки "Відстежувати", "Відстежувати" (A10, A11, B8, B18), щоб перейти до наступного треку або повернутися до початку поточного треку.
2. Під час відтворення натисніть і утримуйте Track Down, Track up (A10, A11, B8, B18) для пошуку в межах поточної доріжки зі звуковим швидкісним відтворенням.

РІЗНІ РЕЖИМИ ВІДГУКУ

Натисніть кнопку REPEAT (B6) на пульті дистанційного керування, щоб вибрати різні режими відтворення під час відтворення CD.

Під час відтворення компакт-дисків режими відтворення відображаються нижче:

- Повторіть
- Повторіть усі
- Нормальний

REPEAT 1 - трек, який відтворюється, і буде повторюватися постійно. Повторіть одну піктограму "REPEAT 1" на дисплеї.
ПОВТОРИТИ ВСІ - усі треки будуть повторюватися постійно. Повторити всі піктограми "REPEAT ALL" відображається на дисплеї.

РЕЙДИНСЬКА ІГРА

Якщо кнопку RANDOM (B20) натиснути три, на РК-дисплеї загориться індикатор "RDM". Доріжки на диску можуть відтворюватися у випадковому порядку автоматично.

Щоб скасувати випадкову гру:

Знову натисніть кнопку RANDOM (B20). Індикатор « RDM » зникне.

ПРИМІТКА:

Якщо натиснути кнопку під час випадкового відтворення, ви можете перейти до доріжки, вибраної наступним шляхом випадкової операції. З іншого боку, кнопка не дозволяє вам перейти до попередньої доріжки. Початок відтворюваного треку буде розміщено. У випадковому відтворенні блок автоматично вибирає та відтворює доріжки. (Ви не можете вибрати порядок композицій.)

ВВЕДЕННЯ ПІДГОТОВКИ

1. Натисніть INTRO (B20) на пульті дистанційного керування. На дисплеї з'явиться індикатор "INTRO (B20)".

Пристрій відтворюватиме перші 10 секунд кожного треку.

2. Знову натисніть INTRO (B20) на пульті дистанційного керування, щоб відновити нормальне відтворення.

ІГРУЙТЕ ПРОГРАМУВАННЯ ПОСЛІДКУ

Ця функція дозволяє відтворювати треки в запрограмованій послідовності. Користувач може програмувати до 32 треків у режимі CD або 99 треків у форматі MP3 у будь-якому

ПРИМІТКА. Програму можна встановлювати лише в режимі STOP.

1. Натисніть PROG . Кнопка (B3) на пульті дистанційного керування на дисплеї відображається номер програми "1", значок " PROG " та номер доріжки CD "- -", що також блимає на РК-дисплеї. (Примітка: "1 -" з'явиться на дисплеї, якщо ви програмуєте вперше).
2. Використовуйте функцію Track Down, Track up (A10, A11, B8, B18) на головному пристрої або на пульті дистанційного керування, щоб вибрати бажану композицію. На дисплеї відобразиться номер доріжки.
3. Натисніть PROG . Кнопка (B3) на головному пристрої або на пульті дистанційного керування, щоб зберегти вибрану доріжку в

пам'яті, наступний номер програми просуне одну (тобто "2") на РК-дисплеї.

4. Повторіть кроки 2 - 3, щоб зберегти більше записів у пам'яті. Ви можете зберегти до CD 32 доріжок, MP3 99 доріжок. На дисплеї з'явиться "FUL" після запрограмованих треків.

5. Торкніться кнопки PLAY / PAUSE (A9, B22), на головному пристрої або на пульті дистанційного керування, щоб почати відтворювати компакт-диск у запрограмованій послідовності.

6. Натисніть кнопку REPEAT (B6) на пульті дистанційного керування, щоб вибрати, якщо потрібно, повторити 1 / All.

7. Для припинення відтворення натисніть кнопку STOP (A8, B25) на головному пристрої або на пульті дистанційного керування. Щоб скасувати програму, двічі натисніть кнопку STOP (A8, B25) на головному пристрої або на пульті дистанційного керування, піктограма "PROG" зникає з дисплея.

ЕКСПЛУАТАЦІЯ BLUETOOTH

Натисніть кнопку POWER / STANDBY (A1, B1), щоб увімкнути пристрій, і дотримуйтесь вказівок нижче для підключення через Bluetooth.

ПАРАП'ЯТЬСЯ (Зв'язуючи) мобільний мобільний телефон BLUETOOTH АБО ІНШИЙ БЛУЕТУТНИЙ ЗАБЕЗПЕЧЕНИЙ ПРИСТРОЙ на пристрій

Якщо CR 1173 ніколи раніше не був сполучений з пристроєм Bluetooth. Вам потрібно дотримуватися інструкцій щодо сполучення нижче, щоб зв'язати Пристрій зі своїм пристроєм Bluetooth.

1. Натисніть кнопку POWER / STANDBY (A1, B1) на головному блоці або на пульті дистанційного керування, щоб увімкнути пристрій.

2. Торкніться кнопки ДЖЕРЕЛ (A1, B11) на головному або пульті дистанційного керування, щоб вибрати режим Bluetooth, на дисплеї та блимає повідомлення "bt" Bluetooth.

3. Якщо CR 1173 ніколи не був з'єднаний з пристроєм Bluetooth раніше або не вдається знайти останній парний пристрій, мигаюча "bt" на РК-екрані вказує, що XXX знаходиться в режимі пошуку. Вам потрібно дотримуватися інструкцій щодо сполучення нижче, щоб зв'язати Пристрій зі своїм пристроєм Bluetooth.

· Увімкніть функцію Bluetooth вашого пристрою Bluetooth і увімкніть функцію пошуку або сканування для пошуку CR 1173.

· Виберіть "CR 1173" зі списку пристроїв, коли він з'явиться на екрані вашого пристрою. Якщо потрібно, введіть код пропуску "0000", щоб з'єднати (зв'язати) CR 1173 зі своїм пристроєм.

4. Після успішного сполучення (з'єднання), дисплей зміниться, щоб постійно відображався "bt", на дисплеї також з'явиться значок Bluetooth. Ви можете починаючи відтворювати музику зі свого пристрою Bluetooth бездротово до динаміка.

5. Вибравши улюблену пісню, натисніть кнопку PLAY PAUSE (B22, A9) на пристрої або на пульті дистанційного керування, щоб відтворити або призупинити пісню.

6. Натисніть регулятор гучності на головному пристрої або на пульті дистанційного керування, щоб налаштувати бажаний рівень гучності.

7. Натисніть кнопку Track Down, Track up (B8, B9) на головному пристрої або на пульті дистанційного керування, щоб перейти до попередньої або наступної пісні.

8. Якщо ви хочете з'єднати Пристрій з іншим пристроєм з підтримкою Bluetooth, натисніть і потримайте кнопку PAIR (B10) протягом 3 секунд або вимкніть функцію Bluetooth пристрою, який зараз з'єднаний з пристроєм, потім повторіть крок 3 вище.

Примітки:

1.) Перегляньте посібник свого мобільного телефону, планшетного ПК, комп'ютера чи інших пристроїв з підтримкою Bluetooth для роботи Bluetooth, оскільки він може відрізнятися від моделі до моделі.

2.) Якщо ваш пристрій з підтримкою Bluetooth не підтримує профіль A2DP, він не відтворюватиме музику через динамік, навіть якщо він є в парі (пов'язаний).

3.) Якщо ви з'єднуєте (підключаєте) комп'ютер до пристрою за допомогою Bluetooth, можливо, вам потрібно буде встановити динамік як звуковий пристрій за замовчуванням вашого комп'ютера.

ДОПОМОГА ВПУСКУВАННЯ

Цей пристрій має допоміжний вихідний аудіосигнал для підключення зовнішніх аудіопристроїв, таких як MP3-програвачі, цифровий аудіопристрій та прослуховування їх через динаміки цього пристрою.

1. Використовуйте аудіокабель (не входить у комплект) з одним 3,5-мм стерео штекером на кожному кінці кабелю.

2. Підключіть один кінець до роз'єму AUX IN (A5) на головному пристрої, а другий кінець кабелю - до роз'єму для роз'єму або навушників зовнішнього аудіопристрою.

3. Увімкніть пристрій та зовнішній аудіопристрій.

4. Натисніть кнопку SOURCE (A1, B11) на головному або пульті дистанційного керування, щоб вибрати режим AUX, увімкнено піктограму «AUX», на дисплеї відобразиться повідомлення «AUX».

5. Рівень гучності тепер можна контролювати через основний блок. Виконуйте всі інші функції на допоміжному пристрої як завжди.

Примітка:

· Якщо ви підключите цей пристрій до роз'єму для зовнішнього пристрою вашого зовнішнього пристрою, вам потрібно буде лише регулювати гучність цього пристрою. Якщо ви підключите роз'єм для навушників зовнішнього пристрою, можливо, вам знадобиться відрегулювати як регулятор гучності вашого зовнішнього пристрою, так і цього пристрою, щоб отримати бажану настройку гучності.

PRESET EQ (ВИДАЛЕНО КОНТРОЛЬ)

Цей пристрій пропонує 4 різні режими еквалайзера, щоб покращити ваше прослуховування. Ви можете вибрати бажаний ефект, натискаючи кнопку EQ (B5) на пульті дистанційного керування кілька разів у такій послідовності:

ROCK POP JAZZ CLASSIC OFF

Кнопка відключення звуку (ТОЛЬКО ВИДАЛЕНО КОНТРОЛЬ)

· Натисніть кнопку MUTE (B21) на пульті дистанційного керування, щоб тимчасово вимкнути вихідний звук із динаміка. На дисплеї з'явиться "V 00".

· Знову натисніть кнопку MUTE (B21) або регулювання гучності (B23, A12), щоб відновити нормальне відтворення динаміків.

СПЕЦІАЛЬНІ ЕКСПЛУАТАЦІЇ (ТОЛЬКО ВИДАЛИТИ КОНТРОЛЬ)

Таймер сну дозволяє вимкнути прилад після досягнення визначеного часу.

1. Щоб активувати таймер сну, увімкніть пристрій і натисніть кнопку SOURCE (A1, B11), щоб вибрати FM-радіо, компакт-диск, USB, Bluetooth або прослуховування музики через AUX IN.

2. Натисніть кнопку SLEEP (B14) на пульті дистанційного керування, на дисплеї з'явиться значок часу сну "SLEEP".

3. Неодноразово натискайте кнопку SLEEP (B14), щоб вибрати час сну. Прилад вимкнеться через 10, 20, 30, 40, 50, 60, 70, 80 або

90 хвилин. Зачекайте 3 секунди після вибору апарату для підтвердження вибору, пристрій відтворить вибраний проміжок часу, а потім автоматично вимкнеться.

4. Щоб скасувати таймер сну, кілька разів торкніться кнопки SLEEP (B14), поки таймер не покаже "OFF", на дисплеї не зникне значок часу сну "SLEEP".
5. Щоб вимкнути пристрій до вибраного проміжку часу, будь-коли натисніть кнопку POWER / STANDBY (A1, B1).

Примітки:

- 1.) Щоб перевірити залишився час сну, натисніть кнопку SLEEP (B14) один раз.
- 2.) Якщо ви засинаєте під музику із зовнішнього пристрою, підключеного до входу AUX, таймер сну відключить живлення цієї системи, але він не вимкне зовнішній пристрій.

ВИКОРИСТАННЯ ШАФКІВ (НЕ ВКЛЮЧЕНО)

Якщо вставити вилку навушників у стерео роз'єм для навушників (A17), ви зможете приватно слухати музику з компакт-диска чи радіо. Під час використання навушників вбудовані динаміки будуть відключені.

ЧИТАЙТЕ ЦЬЙ ВАЖЛИВУ ІНФОРМАЦІЮ ДО ВИКОРИСТАННЯ ВАШИХ ШАФ

1. Уникайте тривалої гри при дуже великій гучності, оскільки це може погіршити ваш слух.
2. Якщо у вас виникає дзвін у вухах, зменшіть гучність або вимкніть пристрій.
3. Зберігайте гучність на розумному рівні, навіть якщо ваша гарнітура типу під відкритим небом, створена для того, щоб ви могли чути зовнішні звуки. Зверніть увагу, що надмірно висока гучність все ще може блокувати зовнішні звуки.

ПОВЕРНЕННЯ

Якщо система не реагує або має нестабільну роботу, можливо, у вас виникли електростатичний розряд (ESD) або перенапруга, що призвело до автоматичного вимикання внутрішнього комп'ютера. Якщо це сталося, від'єднайте кабель змінного струму від джерела живлення, зачекайте 60 секунд, а потім знову підключіть кабель змінного струму до джерела живлення. Пристрій буде скинуто, вам потрібно встановити годинник, будильник і встановити радіоканали.

ДОГЛЯД І ОБСЛУГОВУВАННЯ

1. Не піддавайте пристрій надмірній силі, удару, пилу чи надзвичайній температурі (вище 40C).
2. Не підробляйте внутрішні компоненти пристрою.
3. Очистіть пристрій сухою ганчіркою. Розчинник або миючий засіб ніколи не слід використовувати.
4. Уникайте залишати пристрій під прямими сонячними променями або в жарких, вологих або запилених місцях.
5. Не тримайте прилад подалі від опалювальних приладів та джерел електричного шуму, таких як люмінесцентні лампи або двигуни.
6. Якщо під час відтворення компакт-диска у музиці трапляються випадки або переривання або якщо компакт-диск взагалі не спрацьовує, його нижня поверхня може потребувати очищення. Перш ніж грати, протріть диск добре від центру назовні гарною м'якою чистячою серветкою.

ОЧИЩЕННЯ ОДИНИ

- Щоб запобігти небезпеці пожежі або удару, відключіть пристрій від джерела живлення змінного струму під час чищення.
- Обробку пристрою можна очищати пиловою тканиною та дотримуватися за іншими меблями. Будьте обережні при чищенні та витиранні пластикових деталей.
- Якщо шафа стає запиленою, витріть її м'якою сухою пиловою тканиною. Не використовуйте на шафі ніяких воскових або полірувальних спреїв.
- Якщо передня панель забруднилася або затьмарилася відбитками пальців, її можна очистити м'якою тканиною, злегка змоченою м'яким розчином мила та води. Ніколи не використовуйте абразивні тканини або полірувальні матеріали, оскільки це може пошкодити обробку пристрою.

ОБЕРЕЖНО: Ніколи не допускайте потрапляння води або інших рідин всередину пристрою під час чищення

Технічні дані:

Вимоги до живлення:

Основний блок: 230 В ~ 50 Гц

Пульт дистанційного керування: CR2025 3V

Розділ програвача DISC

Система: Компактний диск та цифрова аудіосистема Властивості лазерного діода

Тривалість викидів: безперервно

Лазерний вихід: менше 44,6 мВ (Цей вихід - це вимірювання величини на відстані 200 мм від поверхні об'єкта на оптичному блоці зіймки з діафрагмою 7 мм.)

Діапазон частот

Розділ FM-тюнера:

Діапазон настройки: 87,5 МГц-108,0 МГц (крок 50 кГц)

Потужність динаміка: 2x 5W

Max: 28W

У інтересах навколишнього середовища.



Будь ласка, віддайте картонну упаковку в місце збору мукулатури. Поліетиленові мішки (PE) викинути в смітник для пластику. Відпрацьований пристрій повинен бути відправлений у відповідну точку зберігання, тому що в пристрої є небезпечні інгредієнти, які можуть становити загрозу навколишньому середовищу. Електричний пристрій потрібно повернути так, щоб обмежити його повторне використання. Якщо у пристрої є батарейки, то потрібно їх витягнути і віддати до відповідного пункту.

- شروط السلامة تعليمات مهمة حول سلامة الاستخدام ، يرجى القراءة بعناية والاحتفاظ بها للرجوع إليها في المستقبل
- 1- قبل استخدام المنتج ، يرجى القراءة بعناية والامتثال دائماً للإرشادات التالية. الشركة المصنعة ليست مسؤولة عن أي أضرار ناتجة عن أي سوء استخدام.
 - 2- المنتج يستخدم فقط في الداخل. لا تستخدم المنتج لأي غرض لا يتوافق مع تطبيقه.
 - 3 الجهد المطبق هو ٢٣٠ فولت ، ~ ٥٠ هرتز. لأسباب تتعلق بالسلامة ، ليس من المناسب توصيل أجهزة متعددة بأخذ طاقة واحد.
 ٤. يرجى توخي الحذر عند الاستخدام حول الأطفال. لا تدع الأطفال يلعبون بالمنتج. لا تدع الأطفال أو الأشخاص الذين لا يعرفون الجهاز لاستخدامه دون إشراف.
 - ٥- تحذير: يمكن استخدام هذا الجهاز من قبل الأطفال الذين تزيد أعمارهم عن ٨ سنوات والأشخاص الذين يعانون من ضعف القدرات البدنية أو الحسية أو العقلية ، أو الأشخاص الذين ليس لديهم خبرة أو معرفة بالجهاز ، فقط تحت إشراف شخص مسؤول عن سلامتهم ، أو إذا تم إرشادهم بشأن الاستخدام الآمن للجهاز وكانوا على دراية بالمخاطر المرتبطة بتشغيله. يجب ألا يلعب الأطفال بالجهاز. لا ينبغي أن يقوم الأطفال بتنظيف الجهاز وصيانته ، إلا إذا كان عمرهم أكبر من ٨ سنوات ويتم تنفيذ هذه الأنشطة تحت إشراف.
 ٦. بعد الانتهاء من استخدام المنتج ، تذكر دائماً إزالة القابس برفق من مأخذ التيار الكهربائي الذي يمسك المنفذ بيدك. لا تسحب كابل الطاقة أبداً !!!
 - ٧- لا تضع كابل الطاقة أو القابس أو الجهاز بأكمله في الماء أبداً. لا تعرض المنتج أبداً للظروف الجوية مثل ضوء الشمس المباشر أو المطر وما إلى ذلك. لا تستخدم المنتج أبداً في الظروف الرطبة.
 - ٨ افحص حالة كبل الطاقة بشكل دوري. في حالة تلف كبل الطاقة ، يجب تحويل المنتج إلى موقع خدمة احترافي لاستبداله لتجنب المواقف الخطرة.
 - ٩- لا تستخدم المنتج أبداً مع كبل طاقة تالف أو في حالة سقوطه أو تلفه بأي طريقة أخرى أو إذا كان لا يعمل بشكل صحيح. لا تحاول إصلاح المنتج المعيب بنفسك لأنه قد يؤدي إلى حدوث صدمة كهربائية. قم دائماً بتحويل الجهاز التالف إلى موقع خدمة احترافي لإصلاحه. لا يمكن إجراء جميع الإصلاحات إلا بواسطة متخصصي الخدمة المعتمدين. يمكن أن يتسبب الإصلاح الذي تم بشكل غير صحيح في حدوث مواقف خطيرة للمستخدم.
 - ١٠- لا تضع المنتج على أو بالقرب من الأسطح الساخنة أو الدافئة أو أدوات المطبخ مثل الفرن الكهربائي أو الموقد الغازي.
 ١١. لا تستخدم المنتج قريباً من المواد القابلة للاحتراق.
 ١٢. لا تدع السلك يتدلى على حافة العداد أو تلمس الأسطح الساخنة.
 ١٣. لا تترك المنتج متصلاً بمصدر الطاقة دون إشراف. حتى عند انقطاع الاستخدام لفترة قصيرة ، قم بإيقاف تشغيله من الشبكة ، وافصل الطاقة.
 ١٤. في دائرة الطاقة ، مع (RCD) من أجل توفير حماية إضافية ، يوصى بتثبيت جهاز بقايا التيار تصنيف التيار المتبقي لا يزيد عن ٣٠ مللي أمبير. اتصل كهربائياً محترفاً في هذا الشأن.
 ١٥. تجنب بلل الجهاز.
 ١٦. لا يجوز مسح الجهاز إلا بقطعة قماش جافة. لا تستخدم الماء أو سائل التنظيف.
 ١٧. يجب حفظ الجهاز في غرفة جافة.

8. BLUETOOTH زوج زر / إيقاف زر .CD
9. CD / BLUETOOTH PLAY / PAUSE / RADIO AUTO SEARCH BUTTON
10. الزر - اللحن / السابق البلوتوث / المضغوط القرص تخطي .
11. CD / BLUETOOTH SKIP NEXT / TUNE + زر
12. LCD DISPLAY 13. الصوت مستوى في التحكم مقبض
14. FM هوائي 16. المضغوط القرص باب 15. المضغوط القرص إغلاق / فتح زر .
17. الأيسر الصوت مكبر موصل 19. الأيمن الصوت مكبر موصل 18. الرأس سماعة مقبض
٢٠. البطارية حجرة باب ٢١ محول التيار المستمر

التحكم جهاز:

1. المباشر البحث زر 2. الاستعداد وضع مؤشر تشغيل إيقاف / تشغيل
3. لأسفل موالف زر ، للوقت لأسفل زر أو لأسفل CD / USB زر 4. الزر . PROG
- للمسار لأسفل زر 8. X-BASS زر 7. التشغيل إعادة زر 6. المعادل زر
9. CD / BLUETOOTH PLAY / PAUSE / RADIO AUTO SEARCH BUTTON
10. الزر - اللحن / السابق البلوتوث / المضغوط القرص تخطي
11. CD / BLUETOOTH SKIP NEXT / TUNE + زر
12. CLOCK SET 13. LCD DISPLAY 14. CD فتح الباب زر إغلاق /
- الرأس سماعة مقبض 17. FM هوائي 16. المضغوط القرص فتحة
18. الأيسر الصوت مكبر موصل 19. الأيمن المتحدث موصل
20. البطارية مقصورة باب 21. إدخال وزر عشوائي زر
22. BT PLAY / PAUSE BUTTON 23. VOLUM UP لأسفل زر أي
24. CD PLAY / PAUSE BUTTON 25. CD STOP BUTTON

النظام اتصالات

توصيلات أي إجراء قبل الحائط مأخذ من المتردد التيار طاقة سلك فصل من تأكد

المتردد التيار طاقة توصيل

المتردد التيار مأخذ في بإحكام القابس إدخال من تأكد .هرتز 50 ~ فولت 230 متاح متردد تيار بمأخذ المتردد التيار طاقة سلك بتوصيل قم

الاحتياطية بالبطارية الخاصة بالبطاريات تركيب

الرئيسية الوحدة من السفلي الجزء في الموجود البطارية حجرة باب بإزالة قم .

1. البطارية حجرة في الموجود للبطارية فتحتين في (مدرجة غير) AAA بطاريات x 2 وأدخل ، البطارية حجرة داخل القبطية علامات اتبع
2. البطارية باب استبدال .

ملاحظات:

- الحالي التاريخ ووقت التنبيه إعدادات جميع مسح فسيتم ، بذلك قمت إذا الحائط مقبض من المتردد التيار طاقة سلك تفصل لا ، الاحتياطية البطاريات استبدال عند
- التآكل وتسبب البطاريات تسرب حالة في يحدث قد تلف أي لتجنب البطاريات بإزالة قم ، الوقت من طويلة لفترة موصلة غير الوحدة ترك حالة في .

التحكم جهاز

المثبت العازل لسان بإزالة قم ، بُدع عن التحكم جهاز لتشيط .(بعد عن التحكم جهاز في مضمنة) CR2025 3V ليثيوم بطارية على بعد عن التحكم جهاز يعمل

البطارية حجرة في .

جديدة فولت 3 CR2025 ليثيوم ببطارية الأصلية البطارية فاستبدل ، مرضية غير أو منقطعة بُدع عن العملية أصبحت إذا

بعد عن التحكم جهاز غلبة من للخارج البطارية حامل اسحب ثم ، لأسفل الحجرة غطاء على اضغط .

خاطئة بقطبية البطارية تركيب تم إذا بعد عن التحكم جهاز يعمل لن .صحيح بشكل تركيبها من وتأكد البطارية استبدال -

الحدز:

1. صحيح غير بشكل البطارية استبدال تم إذا الانفجار خطر .)
2. المكافئ النوع من أو النوع نفس من ببطارية فقط استبدالها .)
3. البطارية فتحة في أخرى مرة البطارية حامل أدخل .)

الوحدة تشغيل إيقاف / تشغيل

تشغيل سيتم .الوحدة لتشغيل بُدع عن التحكم وحدة أو الرئيسية الوحدة في (B1 ، A1) الاستعداد / الطاقة زر فوق انقر ، (الاستعداد) التشغيل إيقاف وضع في .

LCD شاشة على المحدد الإدخال لوضع رمز آخر وسيظهر ، الوحدة

بُدع عن التحكم وحدة أو الرئيسية الوحدة في (B1 ، A1) Power On POWER / STANDBY زر فوق انقر ، (الاستعداد) وضع الوحدة تشغيل لإيقاف

الاستعداد وضع مؤشر يضيء .الحالي الوقت وتعرض خافتة LCD شاشة ستصبح .أخرى مرة

الساعة ضبط

LCD شاشة على الموميض في ويبدأ "00:00" سيظهر ، المتردد التيار طاقة توصيل بعد

وسيطظهر ، الرئيسية الوحدة أو بعد عن التحكم جهاز في (B13) CLOCK SET زر على الاستمرار مع اضغط ، (الاستعداد) التشغيل إيقاف وضع في .

الشاشة على "24H" ساعة 24 تنسيق

على اضغط ، ذلك خلاف الأمر لزم إذا ساعة 24 تنسيق لتحديد الرئيسية الوحدة أو بعد عن التحكم جهاز في (B18 ، B4) التالي / السابق زر على اضغط

الساعة أرقام تومض وسوف ، الساعة إعداد وضع في والدخول ساعة 12 ساعة تنسيق لتأكيد (B12) CLOCK SET زر

/ السريع للتقدم الزر على الاستمرار مع اضغط .الساعة لضبط الرئيسية الوحدة أو بعد عن التحكم جهاز في (B18 ، B4) التالي / السابق زر على اضغط

العكسي الإعداد

تم إذا الضعيفة المحطات على للعثور يدويًا الضبط يمكنك. الضعيفة المحطات تخطي يتم قد لذلك، البث محطة إشارة قوة على التلقائي الضبط يعتمد: ملاحظة أفضل على للحصول يدوي ضبط إلى تحتاج قد لذلك، الفعلي البث تردد إلى يصل أن قبل الموالم يتوقف قد، القوة الإشارات مع، المحطات إحدى تخطي استقبال.

مسبقًا معدة راديو محطات

- الوحدة لتشغيل بعد عن التحكم وحدة أو الرئيسية الوحدة في (A1 ، B1) POWER / STANDBY زر على اضغط.
- FM راديو وضع لتحديد بعد عن التحكم جهاز أو الرئيسية الوحدة على (A1 ، B11) المصدر زر على اضغط.
- تبدأ حتى بعد عن التحكم جهاز أو الرئيسية الوحدة على الموجود (A10، A11، B8، B18) Track up و Track Down زر على الاستمرار مع اضغط.
- التلقائي البحث سيتوقف. وامن العرض في "يظهر PROG" ، للبرنامج مسبقًا المحددة والقنوات التلقائي البحث زر حرر ثم المسح في الشاشة على التردد قراءة.
- بثبات العرض في "PROG" و يظهر ، الفحص انتهاء بعد P01 عند والبرنامج المسبقة الإعدادات لحفظ أدناه الطريقة فاستخدم ، حفظها تريد التي القنوات من المبرمج المسبق والإعداد التلقائي البحث أثناء المخزنة القنوات تكن لم إذا: ملاحظة يدويًا للراديو.
- "تلقائيًا" أو "يدويًا" الضبط بطريقة إما المطلوبة الراديو محطة بموافقة قم.
- شاشة على (B3) أيقونة ستظهر . وامن PROG والمتوفر التالي مسبقًا المضبوط الذاكرة ورقم ، بعد عن التحكم بجهاز (B3) . PROG على اضغط.
- مرة لأول المسبق الإعداد ببرمجة تقوم كنت إذا الشاشة على "P01" سيظهر: ملاحظة) LCD.
- له المحطة تخصيص تريد الذي المسبق الضبط رقم لاختيار بعد عن التحكم جهاز أو الرئيسية الوحدة على (B15 ، B19) زر . PRE على اضغط.
- الإعداد لتأكيد زر (B3) . PROG على اضغط.
- FM محطة 30 إلى يصل لما المسبق للإعداد 8 إلى 4 من أعلاه المذكورة الخطوات كرر .

مسبقًا المحددة الذاكرة قنوات استدعاء

متكرر بشكل بعد عن التحكم جهاز في (B15 ، B19) زر . PRE زر على بالضغط مسبقًا المحددة القنوات باستدعاء قم ، الراديو وضع في

المضغوط القرص مشغل تشغيل

ملاحظة:

- ذاتيًا المجمع CD-R / RW أقراص بتشغيل أيضًا سيقوم بل ، فحسب التجارية المضغوطة الأقراص بتشغيل هذا المضغوطة الأقراص مشغل يقوم لن . المضغوطة الكمبيوتر أقراص أو DVD أو VCD أو CDI أو المضغوطة الأقراص تشغيل تحاول لا MP3 وأقراص من كبير بضغط معالجته تتم الذي الصوت كود من نوع هو MP3 . MPEG Audio Layer 3 . MP3 الصوت جودة في جدًا قليل فقد مع الأصلي الصوت مصدر . VBR و MPEG 1 Layer 3 ملفات النظام هذا يدعم .
- الفعلي التشغيل وقت عن الشاشة في الوقت عداد يختلف قد ، VBR ملف تشغيل أثناء.
- الثانية في بت كيلو 320 ~ 32 هو MP3 يدعمه الذي البت معدل

المهمة: المعلومات هذه قراءة يرجى:

- المجمعة CD-R / CD-RW أقراص أيضًا سيقراً . التجارية المضغوطة الأقراص جميع لقراءة هذه مثل أجهزة في المستخدمة المضغوط القرص الآليات تصميم تم قرص جودة بسبب ذلك يكون أن المحتمل فمن ، التشغيل يبدأ لم إذا ، الفعلي التشغيل لبدء ثوان 10 إلى يصل ما الأمر يستغرق قد ولكن ، MP3 وأقراص ذاتيًا CD-R / RW أقراص تشغيل جودة عن مسؤولة غير المصنعة الشركة . المضغوطة الأقراص تجميع برنامج توافق أو / و MP3 قرص أو / و MP3 وأقراص .
- خلل حدوث في ذلك يتسبب فقد . MP3 أو CD-R / RW قرص جانبي من أي على ختم أو ملصق بارافق تم لا

مضغوط قرص تشغيل

- الوحدة لتشغيل بعد عن التحكم وحدة أو الرئيسية الوحدة في (A1 ، B1) POWER / STANDBY زر على اضغط.
- القرص حجرة فتح على اضغط ثم المضغوط القرص وضع لتحديد الرئيسية الوحدة أو بعد عن التحكم جهاز في (A1 ، B11) المصدر زر على اضغط.
- القرص حجرة ألق ، المضغوط القرص باب باتجاه للخارج للملصق جانب توجيه مع المركزي المحور على مضغوط صوتيًا قرصاً ضع .
- الإجمالي الوقت عرض يتم ثم واحدة ثانية للمسارات الإجمالي العدد يظهر ، ثوانٍ يضع بعد . ويومض الشاشة على "----" و يظهر ، القرص قراءة في الوحدة تبدأ .
- القرص تشغيل سيبدأ ، الشاشة على PLAY / PAUSE مؤشر يظهر ، بعد عن التحكم جهاز أو الرئيسية الوحدة على (A9، B22) PLAY / PAUSE زر على اضغط . الأول المسار من المضغوط .
- المطلوب الصوت مستوى لضبط بعد عن التحكم جهاز أو الرئيسية الوحدة على . الصوت مستوى اضبط الصوت مستوى في التحكم على اضغط . مؤقتًا المسار وقت إيقاف سيتم بعد عن التحكم جهاز أو الرئيسية الوحدة على (A9 ، B22) PLAY / PAUSE زر على اضغط ، مؤقتًا التشغيل لإيقاف .
- أخرى مرة (A9، B22) CD PLAY / PAUSE زر على اضغط ، التشغيل لاستئناف . PAUSE مؤشر وسيظهر .
- رقم إلى LCD شاشة ستشير . (A10، A11، B8، B18) Track up أو Track Down على بالضغط مباشرة لديك المفضل المسار تشغيل اختيار يمكنك . المحدد الصحيح المسار .
- القسم على العثور يتم حتى (A10 ، A11 ، B8 ، B18) Track up ، Track Down على الاستمرار مع اضغط ، المسار داخل معين قسم موقع لتحديد . اختيارك تشغيل لمواصلة الزر حرر .
- STOP زر على اضغط ، اللعب لإيقاف (A8 ، B25).

Mp3 قرص بتشغيل الخاص الإجراء

CD-R / RW ، Mp3 لتشغيل

- Mp3 قرص بتحميل رقم ، بعد عن التحكم جهاز في (A1 ، B11) SOURCE زر على اضغط.
- المطلوبة التشغيل مجلد لتحديد (B15، B19) المجلد زر على اضغط.
- (A10، A11، B8، B18) Track up و Track Down زر على بالضغط لتشغيله المطلوب الملف حدد .
- الملف اسم وسيظهر التشغيل سيبدأ . (A9، B22) PLAY / PAUSE زر على اضغط .
- الإيقاف / التشغيل وضع في كان لو حتى المجلد تحديد ويمكن ، (B15 ، B19) FOLDER الزر على اضغط ، المجلد وضع تشغيل مع التشغيل حالة في s

المحدد للمجلد الأول المسار في المؤقت الإيقاف / التشغيل وضع في سيستم. المؤقت.

مجلد مع أخرى مرة USB / MP3 مشغل لتشغيل

وظيفة لتحديد الرئيسية الوحدة على متكرر بشكل SOURCE زر أو بعد عن التحكم جهاز في (A1 ، B11) زر على اضغط. معلومات عرض سيتم ، الرئيسية بالوحدة USB ذاكرة توصيل عند. الوحدة على MP3 بتنسيق ملفات على يحتوي الذي USB ذاكرة جهاز بتوصيل قم. USB الجهاز.

الخطوة إلى انتقل ، المجلد وضع تشغيل مع التشغيل لبدء. المطلوب التشغيل مجلد لتحديد (B15 ، B19) FOLDER زر على اضغط.

Track up (A10 ، A11 ، B8 ، B18) و Track Down زر على بالضغط لتشغيله المطلوب الملف حدد.

الملف اسم عرض وسيتم التشغيل سيبدأ. (A9 ، B22) PLAY / PAUSE زر على اضغط.

ملحوظة:

MP3 مشغل أو السعة كبير USB تخزين جهاز من AAC و MTP ملفات أنظمة مع متوافق غير المنتج هذا .

الخاص التشغيل دليل راجع ، التفاصيل على للحصول. الملفات نظامي كلا تدعم لا قد USB تخزين وسائط بعض لكن ، FAT32 و FAT16 الوحدة هذه تدعم .
المصنعة بالشركة اتصل أو المعنى USB تخزين بجهاز.

والبحث التخطي وضع

العودة أو التالي المسار إلى للانتقال (A10 ، A11 ، B8 ، B18) Track Down ، Track up الزر فوق انقر ، المؤقت الإيقاف أو التشغيل وضع أثناء . 1. الحالي المسار بداية إلى

عالي مسموع تشغيل مع الحالي المسار ضمن للبحث (A10 ، A11 ، B8 ، B18) Track up و Track Down على الاستمرار مع اضغط ، التشغيل أثناء . 2. السرعة.

(فقط بعد عن التحكم) المختلفة للعب أوضاع

المضغوط القرص تشغيل عند مختلفة تشغيل أوضاع لتحديد متكرر بشكل بعد عن التحكم بجهاز الموجود (B6) REPEAT زر على اضغط

التالي النحو على التشغيل أوضاع تظهر ، المضغوط القرص تشغيل عند:

كرر

الكل ككرر

عادي

الشاشة على "REPEAT 1" واحد رمز تكرر يظهر. باستمرار يتكرر وسوف تشغيله الجاري المسار - REPEAT 1

الشاشة على "REPEAT ALL" الكل ككرر رمز يظهر. باستمرار المسارات جميع ستتكرر - الكل ككرر

عشوائي لعب

بترتيب القرص على الموجودة المسارات تشغيل يمكن. LCD شاشة في "RDM" مؤشر سيضيء ، مرات ثلاث (B20) RANDOM الزر على الضغط عند تلقائيًا عشوائي

العشوائي التشغيل لإلغاء:

تختفي سوف مؤشر "RDM" . أخرى مرة (B20) RANDOM الزر على اضغط

ملحوظة:

الزر لك يسمح لا ، أخرى ناحية من. العشوائي التشغيل خلال من ذلك بعد المحدد المسار إلى الانتقال يمكنك ، العشوائي التشغيل أثناء الزر على بالضغط تمت إذا تشغيله الجاري المسار بداية موقع تحديد سيتم. السابق المسار إلى بالانتقال

(.المسارات ترتيب تحديد يمكنك لا). تلقائيًا المسارات وتشغيل باختبار الوحدة سنقوم ، العشوائي التشغيل في

مقدمة تشغيل

الشاشة على "(B20) INTRO" مؤشر سيظهر. بعد عن التحكم جهاز في (B20) INTRO اضغط . 1.

مسار كل من ثوان 10 أول الوحدة ستلعب

العادي التشغيل لاستئناف أخرى مرة بعد عن التحكم جهاز في (B20) INTRO على اضغط . 2.

البرمجة PLAY TRACK SEQUENCE

في MP3 بتنسيق مسارًا 99 أو المضغوط القرص وضع في مسارًا 32 إلى يصل ما برمجة للمستخدم يمكن. مبرمج بتسلسل المسارات تشغيل الوظيفة هذه تتيج مكان أي

STOP. وضع في إلا البرنامج ضبط يمكن لا :ملاحظة

القرص مسار ورقم "PROG" رمز ويومض ، الشاشة على "1" البرنامج رقم يظهر ، بعد عن التحكم جهاز في (B3) زر . PROG على اضغط . 1. (مرة لأول بالبرمجة تقوم كنت إذا "1" عرض سيتم :ملاحظة) LCD شاشة في أيضًا " - " المضغوط

رقم سيظهر . المطلوب المسار لتحديد بعد عن التحكم جهاز أو الرئيسية الوحدة على (A10 ، A11 ، B8 ، B18) Track Down ، Track up استخدم . 2. الشاشة على المسار

(أي) واحدًا التالي البرنامج رقم وسيقدم ، الذاكرة في المحدد المسار لتخزين بعد عن التحكم جهاز أو الرئيسية الوحدة على (B3) زر . PROG على اضغط . 3. LCD شاشة في "2"

على سيظهر . مسار 99 MP3 ، مسار 32 مضغوط قرص إلى يصل ما تخزين يمكنك. الذاكرة في المسارات من المزيد لتخزين 3 إلى 2 من الخطوات ككرر . 4. المسارات برمجة بعد "FUL" الشاشة

المبرمج بالتسلسل المضغوط القرص تشغيل لبدء بعد عن التحكم جهاز أو الرئيسية الوحدة على (A9 ، B22) PLAY / PAUSE زر على اضغط . 5.

الأمر لزم إذا Repeat 1 / All لتحديد بعد عن التحكم جهاز في (B6) REPEAT زر على اضغط .

بعد عن التحكم جهاز أو الرئيسية الوحدة في (A8 ، B25) STOP زر على اضغط ، اللعب لإيقاف . 7.

العرض من "PROG" رمز ويختفي ، مرتين بعد عن التحكم جهاز أو الرئيسية الوحدة في (A8 ، B25) STOP زر على اضغط ، البرنامج تشغيل لإلغاء

تفعيل BLUETOOTH

Bluetooth عبر للاتصال أذناه الإرشادات واتبع الوحدة لتشغيل (A1 ، B1) POWER / STANDBY زر على اضغط.

الجهاز مع BLUETOOTH بتقنية يعمل آخر جهاز أو BLUETOOTH بتقنية يعمل خلوي هاتف (ربط) إقران

بك الخاص Bluetooth بجهاز الجهاز لربط أذناه الإقران إرشادات اتباع إلى تحتاج. قبل من Bluetooth بجهاز CR 1173 إقران يتم لم إذا

الوحدة لتشغيل بعد عن التحكم وحدة أو الرئيسية الوحدة في (A1 ، B1) POWER / STANDBY زر على اضغط.

الشاشة على " bt " Bluetooth رسالة تظهر ، Bluetooth وضع لتحديد بعد عن أو الرئيسي التحكم جهاز في (A1 ، B11) المصدر زر على اضغط. وتومض

أن إلى يشير LCD شاشة على " bt " وامض فإين ، مقترن جهاز آخر على العثور من يتمكن لم أو قبل من Bluetooth بجهاز CR 1173 إقران يتم لم إذا. بك الخاص Bluetooth بجهاز الجهاز لربط أذناه الإقران إرشادات اتباع إلى تحتاج. البحث وضع في XXX

CR 1173 على للعثور المسح أو البحث وظيفة وتمكين Bluetooth بجهاز الخاصة Bluetooth وظيفة تشغيل قم .

جهازك CR 1173 (رابط) لإقران "0000" المرور رمز أدخل ، الأمر لزم إذا. جهازك شاشة على يظهر عندما الأجهزة قائمة من "CR 1173" حدد .

جهاز من الموسيقى تشغيل بدء يمكنك. الشاشة على البلوتوث أيقونة ستظهر كما ، مطرد بشكل " bt " لتظهر الشاشة ستغير ، (الربط) الإقران نجاح بعد. Bluetooth السماعة إلى لاسلكيًا

إيقافها أو الأغنية لتشغيل بعد عن التحكم جهاز أو الوحدة على الموجود (B22، A9) PLAY PAUSE زر على اضغط ، لديك المفضلة الأغنية اختيار بعد. مؤقتًا

المطلوب الصوت مستوى لضبط بعد عن التحكم جهاز أو الرئيسية الوحدة في الصوت مستوى في التحكم مفتاح على اضغط.

التالية أو السابقة الأغنية إلى للتخطي بعد عن التحكم جهاز أو الرئيسية الوحدة على (B9 ، B8) ، التعقب ، التعقب زر على اضغط.

وظيفة تشغيل أوقف أو ثوانٍ 3 لمدة (B10) PAIR زر على الاستمرار مع فاضغط ، Bluetooth بتقنية مزود آخر بجهاز الإقران في ترغب كنت إذا. Bluetooth أعلاه 3 الخطوة كرر ثم بالجهاز حاليًا المقترن للجهاز Bluetooth

ملاحظات:

1. من يختلف قد حيث Bluetooth لتشغيل Bluetooth تقنية تدعم التي الأخرى الأجهزة أو الكمبيوتر أو اللوحى الكمبيوتر أو الخلوي الهاتف دليل راجع (.) إقرانه تم إذا حتى ، الصوت مكبر خلال من الموسيقى بتشغيل يقوم فلن ، A2DP تعريف ملف يدعم لا Bluetooth بتقنية يعمل الذي جهازك كان إذا (2.)

(مرتبط).

3. الافتراضي الصوت كجهاز الصوت مكبر تعيين إلى تحتاج فقد ، Bluetooth باستخدام بالوحدة بك الخاص الكمبيوتر جهاز (ربط) بإقران تقوم كنت إذا (3.) بك الخاص الكمبيوتر لجهاز

الإضافية المدخلات تشغيل

خلال من إليها والاستماع الرقمي الصوت وجهاز MP3 مشغلات مثل الخارجية الصوت أجهزة لتوصيل الإضافي الصوت إشارة إدخال بمقيس الوحدة هذه تتميز الوحدة هذه في الصوت مكبرات

الكابل طرفي من طرف كل على مم 3.5 مقاس استريو قابس مع (مضمن غير) صوت كبل استخدم.

جهاز الرأس سماعة مقيس أو الخط خرج بمقيس الكبل من الأخرى والطرف الرئيسية بالوحدة (A5) AUX IN JACK بمقيس الطرفين أحد بتوصيل قم. الخارجي الصوت

3. الخارجي الصوت وجهاز الوحدة بتشغيل قم.

4. رسالة الشاشة وتعرض ، "AUX" رمز تشغيل يتم ، AUX وضع لتحديد بعد عن أو الرئيسي التحكم جهاز على (A1 ، B11) المصدر زر على اضغط. "AUX".

5. كالمعتاد الإضافي بالجهاز الأخرى الوظائف جميع بتشغيل قم. الرئيسية الوحدة خلال من الصوت مستوى في التحكم الآن يمكن .

ملاحظة :

مقيس بتوصيل قمت إذا. الوحدة لهذه الصوت مستوى في التحكم ضبط إلى فقط تحتاج فانت ، الخارجي بجهازك الخط خرج بمقيس الوحدة هذه بتوصيل قمت إذا . مستوى إعداد على للحصول الوحدة وهذه الخارجي لجهازك الصوت مستوى في التحكم عناصر من كل ضبط إلى تحتاج فقد ، الخارجي بجهازك الرأس سماعة فيه المرغوب الصوت

PRESET EQ (فقط بعد عن التحكم)

بشكل يُعد عن التحكم جهاز في (B5) EQ زر على بالضغط المطلوب التأثير تحديد يمكنك. لديك الاستماع تجربة لتحسين مختلفة EQ أوضاع 4 الوحدة هذه توفر التالي بالتسلسل متكرر:

أوف كلاسيك جاز بوب روك

(فقط بعد عن التحكم) الصوت كتم زر

الشاشة على "V 00" سيظهر. مؤقت بشكل السماعة من الصوت خرج صوت لكتم بعد عن التحكم جهاز في (B21) MUTE زر على اضغط.

العادي الصوت مكبر تشغيل لاستئناف (A12 ، B23) VOLUME CONTROL أو أخرى مرة (B21) MUTE زر على اضغط .

(فقط بعد عن التحكم) النوم عمليات

المحدد الوقت إلى الوصول بعد الوحدة تشغيل بإيقاف السكن مؤقت لك يسمح.

1. الاستماع أو Bluetooth أو USB أو مضغوط قرص أو FM راديو لتحديد (A1 ، B11) المصدر زر على واضغط الوحدة بتشغيل قم ، النوم مؤقت لتشغيل.

AUX IN عبر الموسيقى إلى

2. الشاشة على "SLEEP" النوم وقت أيقونة وستظهر ، بعد عن التحكم جهاز في (B14) SLEEP زر على اضغط.

أو 80 أو 70 أو 60 أو 50 أو 40 أو 30 أو 20 أو 10 بعد الوحدة تشغيل إيقاف سيتم. النوم وقت لتحديد (B14) SLEEP زر على متكرر بشكل اضغط. تلقائيًا تشغيلها إيقاف يتم ثم المحددة الزمنية للمدة الوحدة تشغيل يتم وسوف ، التحديد لتأكيد للوحدة اختيارك بعد ثوانٍ 3 لمدة تنتظر. دقيقة 90

الشاشة على "SLEEP" النوم وقت رمز ويختفي ، "OFF" المؤقت يظهر حتى متكرر بشكل (B14) SLEEP زر على انقر ، النوم مؤقت لإلغاء.

3. وقت أي في (A1 ، B1) POWER / STANDBY زر على اضغط ، المحددة الزمنية المدة قبل الوحدة تشغيل لإيقاف.

ملاحظات:

1. واحدة مرة (B14) SLEEP زر فوق انقر ، المتبقي النوم وقت من للتحقق .
2. الجهاز تشغيل بإيقاف يقوم لن ولكنه النظام هذا عن الطاقة بإيقاف السكن مؤقت فسيقوم ، AUX بمدخل متصل خارجي جهاز من الموسيقى على تمام كنت إذا .
الخارجي.

استخدام عند .انفراد على الراديو موسيقى أو المضغوط القرص إلى الاستماع من (A17) الاستريو الرأس سماعة مقبس في الرأس سماعات قابس إدخال سيمكثك المدمجة الصوت مكبرات فصل سبيتم ، الرأس سماعات .

الرأس سماعات استخدام قبل المهمة المعلومات هذه أقرأ

1. سمعك يضعف قد لأنه للغاية مرتفع صوت بمستوى المطول اللعب تجنب .
2. وحدتك أعلق أو الصوت مستوى بخفض فقم ، أذنيك في بطنين شعرت إذا .
3. ملاحظة يرجى .الخارجية الأصوات بسماع لك للسماح المصمم المفتوح النوع من الرأس سماعة كانت إذا حتى معقول مستوى عند الصوت مستوى على حافظ .
3. الخارجية الأصوات بحجب قد مفرط بشكل الصوت ارتفاع أن .

ضبط إعادة الكمبيوتر تشغيل إيقاف إلى أدت الطاقة في زيادة أو (ESD) الإلكترونيات تفرغاً واجهت قد تكون فرما ، منتظمة غير عملية لديه أو يستجيب لا النظام كان إذا مرة الطاقة بمصدر المتردد التيار سلك بتوصيل قم تم ، ثانية 60 لمدة وانتظر ، الطاقة مصدر من المتردد التيار سلك افضل ، ذلك حدوث حالة في تلقائياً الداخلي مسبقاً المحددة الراديو وقنوات والمنبه الساعة إعداد إلى ستحتاج ، الوحدة ضبط إعادة ستتم .أخرى

والصيانة الرعاية

1. (مئوية درجة 40 فوق) عالية حرارة درجة أو الغبار أو الصدمات أو المفرطة للقوة للوحدة تعرض لا .
 2. للوحدة الداخلية بالمكونات العيب لا .
 3. المنظفات أو المذيب استخدام أبدا ينبغي لا .جافة قماش بقطعة وحدتك نظف .
 4. المتربة أو الرطبة أو الحرارة الأماكن في أو المباشر الشمس ضوء في وحدتك ترك تجنب .
 5. المحركات أو الفلورسنت مصابيح مثل الكهربائية الضوضاء ومصادر التدفئة أجهزة عن بعيداً وحدتك احتفظ .
 6. سطحه يتطلب فقد ، الإطلاق على المضغوط القرص تشغيل فشل إذا أو ، المضغوط القرص تشغيل أثناء الموسيقى في انقطاع أو انقطاع حالات حدوث حالة في .
- جيدة ناعمة تنظيف قماش بقطعة الخارج إلى المنتصف من القرص امسح ، اللعب قبل .التنظيف السفلي

الوحدة تنظيف

- التنظيف عند المتردد التيار طاقة مصدر من وحدتك افضل ، كهربائية صدمة حدوث خطر أو حريق نشوب لمنع .
- البلاستيكية الأجزاء ومسح تنظيف عند الحذر توخ ، آخر كآثاب به والعناية الغبار من قماش بقطعة للوحدة الخارجي السطح تنظيف يمكن .
- الخزائنة على تلميع بخاخات أو شمع أي تستخدم لا .وجافة ناعمة قماش بقطعة امسحها ، مغبرة الحاوية أصبح إذا .
- مطلقاً تستخدم لا .ماني ومحلول لطيف بصابون قليلاً مبللة ناعمة قماش بقطعة تنظيفها يتم فقد ، الأصابع ببصمات ملطخة أو منسخة الأمامية اللوحة أصبحت إذا .
- للوحدة نهائية طبقة ستضر لأنها التلميع مواد أو الكاشطة الأقمشة .

التنظيف أثناء الوحدة إلى بالدخول أخرى سوائل أو ماء لأي مطلقاً تسمح لا :تنبيه

تقنية معلومات:

الطاقة متطلبات:

هرتز ~ 50 فولت 230 :الرئيسية الوحدة

CR2025 3V :بعد عن التحكم جهاز

القرص مشغل قسم

ديود ليزر خصائص رقمي صوتي ونظام مضغوط قرص :النظام

مستمر :الانبعاث مدة

(مم 7 بفتحة البصري الالتقاط قالب على الموضوعية العدسة سطح من مم 200 مسافة على القيمة قياس هو الإخراج هذا) واط M 44.6 من أقل :الليزر إخراج

الترددات نطاق

FM: موالف قسم

(خطوة هرتز كيلو 50) هرتز ميجا 108.0 - هرتز ميجا 87.5 :الموالفة نطاق

واط 5 2x :الصوت مكبر قوة

يرجى نقل عبوات الورق المقوى إلى نفايات الورق. اسكب أكياس البولي إيثيلين في الحاوية البلاستيكية يجب إعادة الجهاز البالي إلى نقطة تخزين مناسبة لأنه خطير في الجهاز قد تشكل المكونات تهديداً للبيئة. يجب تسليم الجهاز الكهربائي للحد فليك إن إخراجها وإعطائها إلى النقطة المخزنة بشكل منفصل، إعادة استخدامها واستخدامها. إذا كان هناك بطاريات في الجهاز



KARTA GWARANCYJNA

WARUNKI GWARANCJI obowiązują na terenie Rzeczypospolitej Polskiej

Adler Sp. z o.o. ul. Ordon 2a 01-237 Warszawa zapewnia Użytkownika o dobrej jakości sprzętu, na który wydana jest niniejsza karta gwarancyjna i udziela 24 miesięcznej gwarancji, która liczy się od daty zakupu sprzętu. Usługi gwarancyjne świadczone są po okazaniu prawidłowo wypełnionej karty gwarancyjnej i dowodu zakupu (kopii paragonu lub faktury VAT). Wady lub uszkodzenia sprzętu ujawnione w okresie gwarancji usuwane będą bezpłatnie przez Serwis Centralny. W przypadku zakupu sprzętu przez przedsiębiorcę (faktura VAT) okres gwarancji wynosi 12 miesięcy.

W przypadku wymiany rzeczy na nową, albo po dokonaniu istotnej naprawy, okres gwarancji biegnie na nowo od chwili dostarczenia klientowi rzeczy wolnej od wad, lub zwrócenia rzeczy naprawionej. Jeżeli gwarant wymienił część rzeczy, przepis powyższy stosuje się odpowiednio do części wymienionej. Gwarant zobowiązuje się pokryć koszty dostarczenia rzeczy do serwisu na adres wskazany w karcie gwarancyjnej. Jednakże uprawniony z gwarancji powinien zachować rozsądek, wybierając środek transportu. Uprawnionemu z gwarancji nie przysługuje od gwaranta zwrot kosztów dostarczenia towaru – rzeczy do naprawy gwarancyjnej, przekraczający ekonomicznie uzasadnione koszty przewozu.

UWAGA: Sprzęt przeznaczony jest wyłącznie do użytku domowego. Naprawami gwarancyjnymi nie są objęte czynności związane z odkamienianiem, konserwacją, czyszczeniem urządzenia oraz części i akcesoria ulegające zużyciu przy normalnym użytkowaniu. Gwarancja nie obejmuje mechanicznych uszkodzeń sprzętu oraz wad i uszkodzeń wynikłych wskutek:

- niewłaściwego lub niezgodnego z instrukcją użytkowania, przechowywania i konserwacji;
 - ingerencji nieautoryzowanego serwisu, samowolnych napraw, przeróbek i zmian konstrukcyjnych;
 - użycia niewłaściwych materiałów eksploatacyjnych.
 - uszkodzeń mechanicznych, termicznych, chemicznych i powstałych na skutek przepięcia w sieci.
- karta gwarancyjna jest nieważna bez daty zakupu, pieczęci sprzedającego i kopii dokumentu zakupu.
- gwarancją nie są objęte elementy eksploatacyjne i akcesoria w tym: elementy szklane (np. dzbanki, talerze), sznury przyłączeniowe, sieciowe, żarówki, baterie, nożyki i folie do urządzeń tnących, nasadki miksujące, trzepaki, mieszaki, ssawkoszczotki, rury, węże, kubki miksujące, głowice tnące i sita.

Reklamowany sprzęt jest dostarczany do Serwisu Centralnego przez Klienta w stanie kompletnym i odpowiednio zabezpieczony na czas transportu. Po dokonanej naprawie reklamowany sprzęt odbierany jest z Serwisu Centralnego przez Klienta.

Termin usunięcia wady może zostać wydłużony o czas potrzebny do importu niezbędnych części, nie dłuższy niż 30 dni roboczych. W każdym takim przypadku warsztat serwisowy powiadomi klienta o wydłużeniu terminu naprawy gwarancyjnej. W związku z koniecznością sprowadzenia części zamiennych i poinformuje o nowym terminie usunięcia wady.

W przypadku stwierdzenia usterki należy ją zgłosić w punkcie sprzedaży lub w Serwisie Centralnym, ul. Ordon 2A, 01-237 Warszawa, tel. 728-595-006 lub e-mail: serwis@adler.com.pl.

W zgłoszeniu proszę podać swój adres, nr telefonu i opis usterki. Do reklamacji konieczne jest dołączenie kopii dokumentu zakupu.

Gwarancja nie wyłącza ani nie ogranicza oraz nie zawiesza uprawnień kupującego wynikających z przepisów o rękojmi za wady rzeczy sprzedanej.

SERWIS CENTRALNY

01-237 Warszawa ul.Ordon 2A

tel. 728 - 595 - 006

serwis@adler.com.pl www.adler.com.pl

.....
(data sprzedaży)

.....
(pieczętka sklepu i podpis sprzedawcy)

adnotacje serwisu:



W trosce o środowisko..

Opakowania kartonowe prosimy przekazać na makulaturę. Worki polietylenowe (PE) wrzucać do pojemnika na plastik Zużyte urządzenie należy oddać do odpowiedniego punktu składowania, gdyż znajdujące się w urządzeniu niebezpieczne składniki mogą stanowić zagrożenie dla środowiska. Urządzenie elektryczne należy oddać tak aby ograniczyć jego ponowne użycie i wykorzystanie. Jeżeli w urządzeniu znajdują się baterie należy je wyjąć i oddać do punktu składowania osobno.



Urządzenia nie wyrzucać do pojemnika na odpady komunalne!

OGÓLNE WARUNKI BEZPIECZEŃSTWA
WAŻNE INSTRUKCJE DOTYCZĄCE BEZPIECZEŃSTWA UŻYTKOWANIA
PRZECZYTAJ UWAGNIE I ZACHOWAJ NA PRZYSZŁOŚĆ

1. Przed rozpoczęciem użytkowania urządzenia przeczytać instrukcję obsługi i postępować według wskazówek w niej zawartych. Producent nie odpowiada za szkody spowodowane użytkowaniem urządzenia niezgodnie z jego przeznaczeniem lub niewłaściwą jego obsługą.
2. Urządzenie służy wyłącznie do użytku domowego. Nie używać do innych celów, niezgodnych z jego przeznaczeniem.
3. Urządzenie należy podłączyć wyłącznie do gniazdka z uziemieniem 230 V ~ 50 Hz. W celu zwiększenia bezpieczeństwa użytkowania do jednego obwodu prądu nie należy równocześnie włączać wielu urządzeń elektrycznych.
4. Należy zachować szczególną ostrożność podczas korzystania z urządzenia, gdy w pobliżu przebywają dzieci. Nie należy dopuszczać dzieci do zabawy urządzeniem nie pozwól dzieciom ani osobom nie zaznajomionym z urządzeniem na jego użytkowanie.
5. **OSTRZEŻENIE:** Niniejszy sprzęt może być użytkowany przez dzieci powyżej 8 roku życia oraz osoby o ograniczonej zdolności fizycznej, czuciowej lub psychicznej, lub osoby nie mające doświadczenia lub znajomości sprzętu, jeśli odbywa się to pod nadzorem osoby odpowiadającej za ich bezpieczeństwo lub zostały im udzielone wskazówki na temat bezpiecznego użytkowania urządzenia i mają świadomość niebezpieczeństwa związanego z jego użytkowaniem. Dzieci nie powinny bawić się sprzętem. Czyszczenie i konserwacja urządzenia nie powinna być wykonywana przez dzieci, chyba że są powyżej 8 roku życia a czynności te są wykonywane pod nadzorem.
6. Zawsze po zakończeniu używania, wyjmij wtyczkę z gniazda zasilającego poprzez przytrzymanie gniazdka ręką. **NIE** ciągnąć za sznur sieciowy.
7. Nie zanurzać kabla, wtyczki oraz całego urządzenia w wodzie lub innej cieczy. Nie wystawiaj urządzenia na działanie warunków atmosferycznych (deszczu, słońca, etc.) ani nie używaj w warunkach podwyższonej wilgotności (łazienki, wilgotne domki kempingowe).
8. Okresowo sprawdzaj stan przewodu zasilającego. Jeżeli przewód zasilający jest uszkodzony, to powinien on być wymieniony przez specjalistyczny zakład naprawczy w celu uniknięcia zagrożenia.
9. Nie używaj urządzenia z uszkodzonym przewodem zasilającym lub jeśli zostało upuszczone lub uszkodzone w jakikolwiek inny sposób lub nieprawidłowo pracuje. Nie naprawiaj urządzenia samodzielnie, gdyż grozi to porażeniem. Uszkodzone urządzenie oddaj do właściwego punktu serwisowego w celu sprawdzenia lub dokonania naprawy. Wszelkich napraw mogą dokonywać wyłącznie uprawnione punkty serwisowe. Nieprawidłowo wykonana naprawa może spowodować poważne zagrożenie dla użytkownika.
10. Należy stawiać urządzenie na chłodnej stabilnej, równej powierzchni, z dala od nagrzewających się urządzeń kuchennych jak: kuchenka elektryczna, palnik gazowy, itp....
11. Nie korzystać z urządzenia w pobliżu materiałów łatwopalnych.
12. Przewód zasilania nie może zwisać poza krawędź stołu lub dotykać gorących powierzchni.
13. Nie wolno pozostawiać włączonego urządzenia ani zasilacza do gniazdka bez nadzoru.
14. Do zapewnienia dodatkowej ochrony, wskazane jest zainstalowanie w obwodzie elektrycznym, urządzenia różnicowoprądowego (RCD) o znamionowym prądzie różnicowym nie przekraczającym 30 mA. W tym zakresie należy zwrócić się do specjalisty elektryka.
15. Nie dopuszczać do zamoczenia radia.
16. Można przecierać radio jedynie suchą szmatką. Nie używać wody ani płynów do

czyszczenia.

17. Należy regularnie używać specjalnych płyt do czyszczenia odtwarzacza CD.

18. Radio należy przechowywać w suchym pomieszczeniu.

Opis urządzenia:

URZĄDZENIE:

1. WŁĄCZANIE / WYŁĄCZANIE WSKAŹNIKA GOTOWOŚCI
2. ŹRÓDŁO
3. PRZYCIŚK USTAWIANIA CZASU / PAMIĘCI
4. KANAŁ TUNERA - 5. AUX IN
6. USB
7. KANAŁ TUNERA +
8. PRZYCIŚK ZATRZYMANIA CD / PRZYCIŚKU BLUETOOTH PAIR
9. PRZYCIŚK CD / BLUETOOTH PLAY / PAUSE / RADIO AUTO SEARCH
10. CD / BLUETOOTH SKIP POPRZEDNI / TUNE - PRZYCIŚK
11. CD / BLUETOOTH SKIP NEXT / TUNE + BUTTON
12. POKRĘTŁO REGULACJI GŁOŚNOCI
13. WYŚWIETLACZ LCD
14. PRZYCIŚK OTWIERANIA / ZAMYKANIA DRZWI CD
15. DRZWI CD
16. ANTENA FM
17. GNIAZDO SŁUCHAWEK
18. PRAWY ZŁĄCZE GŁOŚNIKA
19. ZŁĄCZE GŁOŚNIKA W LEWO
20. ZASILACZ DC
21. DRZWI PRZEDZIAŁU BATERII

PILOT:

1. WŁĄCZANIE / WYŁĄCZANIE WSKAŹNIKA GOTOWOŚCI
2. PRZYCIŚK BEZPOŚREDNIEGO WYSZUKIWANIA
3. PROG. PRZYCIŚK
4. PRZYCIŚK SCIEZKI CD / USB LUB PRZYCIŚK CZASU W DÓŁ, PRZYCIŚK TUNERA W DÓŁ.
5. PRZYCIŚK EQUALIZER
6. PRZYCIŚK POWTARZANIA
7. PRZYCIŚK X-BASS
8. PRZYCIŚK ŚLEDZENIA
9. PRZYCIŚK CD / BLUETOOTH PLAY / PAUSE / RADIO AUTO SEARCH
10. CD / BLUETOOTH SKIP POPRZEDNI / TUNE - PRZYCIŚK
11. CD / BLUETOOTH SKIP NEXT / TUNE + BUTTON
12. ZEGAR ZEGARA
13. WYŚWIETLACZ LCD
14. PRZYCIŚK OTWIERANIA / ZAMYKANIA DRZWI CD
15. DRZWI CD
16. ANTENA FM
17. GNIAZDO SŁUCHAWEK
18. PRAWY ZŁĄCZE GŁOŚNIKA
19. LEWE ZŁĄCZE GŁOŚNIKA
20. PRZYCIŚK LOSOWY I PRZYCIŚK INTRO
21. DRZWI PRZEDZIAŁU BATERII
22. PRZYCIŚK BT PLAY / PAUSE
23. PRZYCIŚK VOLUM UP THE DOWN DOWN
24. PRZYCIŚK ODTWARZANIA CD / PAUZY
25. PRZYCIŚK STOP CD

POŁĄCZENIA SYSTEMOWE

Przed wykonaniem jakichkolwiek połączeń upewnij się, że przewód zasilający jest odłączony od gniazdka ściennego.

Podłączenie zasilania sieciowego

Podłącz przewód zasilający do dostępnego gniazdka sieciowego 230 V ~ 50 Hz. Upewnij się, że wtyczka jest dobrze włożona do gniazdka elektrycznego.

Instalowanie baterii do podtrzymania pamięci:

1. Zdejmij drzwiczki komory baterii znajdujące się w dolnej części urządzenia.
2. Postępuj zgodnie z oznaczeniami biegunów w komorze baterii i włóż 2 baterie AAA (brak w zestawie) do dwóch gniazd baterii w komorze baterii.
3. Zamknij komorę baterii.

UWAGI:

- Podczas wymiany baterii zapasowych nie odłączaj przewodu zasilającego z gniazdka elektrycznego. Jeśli to zrobisz, wszystkie bieżące ustawienia daty i godziny alarmu zostaną usunięte.
- Jeśli urządzenie pozostanie odłączone od zasilania przez dłuższy czas, wyjmij baterie, aby uniknąć uszkodzeń, które mogą wystąpić w przypadku wycieku z baterii i spowodowania korozji.

Pilot

Pilot działa na jednej baterii litowej CR2025 3V (zawartej w pilocie). Aby aktywować pilota, wyjmij taśmę zabezpieczającą włożoną do komory baterii.

Jeśli zdalne sterowanie będzie przerywać lub niezadowolające, wymień oryginalną baterię na nową baterię litową CR2025 3 V.

1. Naciśnij pokrywę komory, wysuń uchwyt baterii z obudowy pilota.

2. Wymień baterię, upewniając się, że bateria jest poprawnie zainstalowana. Pilot nie będzie działał, jeśli bateria zostanie zainstalowana z niewłaściwą polaryzacją.

UWAGA:

- 1.) Niebezpieczeństwo wybuchu w przypadku nieprawidłowej wymiany baterii.
- 2.) Wymień tylko na akumulator tego samego lub równoważnego typu.
- 3.) Włóż uchwyt baterii z powrotem do gniazda baterii

WŁĄCZANIE / WYŁĄCZANIE URZĄDZENIA

1. W trybie wyłączenia (gotowości) dotknij przycisku POWER / STANDBY (A1, B1) na urządzeniu głównym lub pilocie, aby włączyć urządzenie. Urządzenie włączy się, ikona ostatnio wybranego trybu wprowadzania pojawi się na wyświetlaczu LCD.

2. Aby WYŁĄCZYĆ urządzenie (tryb gotowości), dotknij ponownie przycisku POWER ON / STANDBY (A1, B1) na urządzeniu głównym lub pilocie. WYŚWIETLACZ LCD zgaśnie i pokaże aktualny czas. Wskaźnik trybu gotowości zaświeci się.

USTAWIANIE ZEGARA

Po podłączeniu zasilania pojawi się „00:00” i zacznie migać na wyświetlaczu LCD.

1. W trybie wyłączenia zasilania (czuwania) naciśnij i przytrzymaj przycisk CLOCK SET (B13) na pilocie lub urządzeniu głównym, na wyświetlaczu pojawi się format 24-GODZINNY „24H”.
2. Naciśnij przycisk Poprzedni / Następny (B4, B18) na pilocie lub urządzeniu głównym, aby w razie potrzeby wybrać format 24-godzinny. W przeciwnym razie naciśnij przycisk CLOCK SET (B12), aby potwierdzić format zegara 12-godzinnego i przejść do trybu ustawiania zegara, cyfry godziny będą migać.
3. Stuknij przycisk Poprzedni / Następny (B4, B18) na pilocie lub urządzeniu głównym, aby ustawić godzinę. Naciśnij i przytrzymaj przycisk, aby ustawić szybkie przewijanie do przodu / do tyłu.
Uwaga: Upewnij się, że godzina jest ustawiona tak, aby wskaźnik PM był wyświetlany poprawnie.
4. Naciśnij przycisk CLOCK SET (B12) na pilocie, aby potwierdzić ustawienie godziny, cyfry minut będą migać, aby poprosić o wprowadzenie.
5. Naciśnij przycisk Poprzedni / Następny (B4, B18) na pilocie lub urządzeniu głównym, aby ustawić minuty. Naciśnij i przytrzymaj przycisk, aby ustawić szybkie przewijanie do przodu / do tyłu.
6. Naciśnij ponownie przycisk CLOCK SET (B12) na pilocie, aby zakończyć ustawianie.

UWAGA: Ustawienia zegara i stacji radiowej zresetuje się, jeśli nastąpi przerwa w zasilaniu lub przerwa w dostawie prądu. Pojawi się „00:00” i zacznie migać na wyświetlaczu LCD, aby poinformować cię, że nastąpiło przerwanie zasilania i konieczne będzie zresetowanie zegara. Wykonaj kroki 1-6 powyżej, aby zresetować zegar.

SPRAWDZANIE ZEGARA

Urządzenie wyświetli bieżącą godzinę w trybie gotowości. Aby sprawdzić bieżący czas w trybie WŁĄCZENIA, naciśnij i przytrzymaj przycisk ZEGARA (B12) na urządzeniu głównym lub pilocie przez 3 sekundy, aktualny czas wyświetli się przez 5 sekund, a następnie powróci do poprzedniego ekranu.

DZIAŁANIE ALARMU (TYLKO ZDALNE STEROWANIE)

USTAWIANIE ZEGARA ALARMOWEGO

Ta funkcja umożliwia automatyczne włączenie systemu i wybudzenie za pomocą sygnału dźwiękowego, płyty CD, USB lub BU RADIO.

1. Naciśnij i przytrzymaj przycisk TIMER (B13) na pilocie, aż na wyświetlaczu pojawi się „On”, a cyfry godziny zaczną migać.
2. Naciśnij przycisk Wstecz / Dalej (B4, B18), aby ustawić cyfry godziny, a następnie naciśnij przycisk TIMER, aby potwierdzić. Cyfry minut będą migać na wyświetlaczu.
3. Naciśnij przycisk Poprzedni / Następny przycisk (B4, B18), aby ustawić cyfry minut, a następnie naciśnij przycisk TIMER (B13), aby potwierdzić.
4. Po ustawieniu przycisku Wstecz / Dalej (B4, B18) On Timer Zegar, wyświetlacz pokaże „Wyl.” I cyfry godziny będą migać.
5. Naciśnij przycisk Wstecz / Dalej (B4, B18), aby ustawić cyfry godziny, a następnie naciśnij przycisk TIMER (B13), aby potwierdzić. Cyfry minut będą migać na wyświetlaczu.
6. Naciśnij przycisk Wstecz / Dalej (B4, B18) na pilocie, aby ustawić cyfry minut, a następnie naciśnij przycisk TIMER, aby potwierdzić.
7. Naciśnij przyciski, aby wybrać tryb CD, USB, BT lub FM, a następnie naciśnij przycisk TIMER (B13), aby potwierdzić. Na wyświetlaczu pojawi się „VOL #” i zacznie migać.
8. Naciśnij przycisk Wstecz / Dalej (B4, B18), aby wyregulować głośność, a następnie naciśnij przycisk TIMER, aby potwierdzić.
8. Naciśnij przycisk TIMER (B13), aby wybrać „Timer włączony”, Timer jest teraz ustawiony.
9. W trybie gotowości ikona Timera pojawi się na wyświetlaczu, wskazując, że Timer jest włączony.

UWAGA:

- 1.) Jeśli zostanie wybrana opcja „Obudź się na CD, USB”, ale płyta CD nie jest włożona, alarm automatycznie przełączy się w Alarm dźwiękowy automatycznie po osiągnięciu czasu budzenia alarmu.
- 2.) W przypadku „Wake to Radio”, system wyłączy domyślnie ostatnią stację radiową FM słuchaną przed wyłączeniem.
- 3.) Alarm crescendo wzrośnie do ustawionego poziomu głośności.

AKTYWNA / DEZAKTYWNA FUNKCJA ALARMU

1. Aby aktywować ALARM, naciśnij przycisk TIMERA (B13) jeden raz, a ikona alarmu pojawi się na wyświetlaczu LCD.
2. Anuluj funkcję ALARM, dotykając ponownie przycisku TIMER (B13). Ikona alarmu zgaśnie

Obudź się do radia, CD, USB lub buzera

- Po osiągnięciu czasu budzenia przez 60 minut rozlegnie się sygnał dźwiękowy CD, USB lub radia, a następnie wyłączy się i wyzeruje na następnym dzień (bez naciśnięcia przycisku drzemki).
- Aby zatrzymać alarm natychmiast po jego usłyszeniu, stuknij raz przycisk POWER / STANDBY (A1, B1) na pilocie lub urządzeniu głównym. Resetuje się na następny dzień.
- Aby anulować alarm następnego dnia, dotknij PRZYCIISK TIMERA (B13) jeden raz, ikona ALARM gaśnie.

DZIAŁANIE RADIA

1. Naciśnij przycisk POWER / STANDBY (A1, B1) na urządzeniu głównym lub pilocie, aby włączyć urządzenie.
2. Naciśnij przycisk ZRODŁO (A1, B11) na urządzeniu głównym lub pilocie, aby wybrać tryb FM, częstotliwość radiowa FM pojawi się na wyświetlaczu.
3. Aby ręcznie dobrać do określonej stacji radiowej, naciśnij kilkakrotnie opcję Track Down, Track up (A10, A11, B8, B18) na jednostce głównej lub pilocie. Użyj metody ręcznego strojenia, aby dobrać słabsze stacje, które są omijane podczas strojenia automatycznego.
4. Aby automatycznie dobrać się do następnej dostępnej stacji radiowej, naciśnij i przytrzymaj przycisk śledzenia w dół (A10, A11, B8, B18) na urządzeniu głównym lub pilocie przez 1-2 sekundy, aż odczyt częstotliwości na wyświetlaczu rozpocznie skanowanie, a następnie zwolnij przycisk. Tuner przestanie przeszukiwać, gdy odbierze następną stację nadawczą o odpowiedniej sile sygnału.
5. Przekręć gałkę na jednostce głównej lub wciśnij regulację głośności na pilocie, aby wyregulować regulację głośności dożądanego poziomu głośności.

Odbiór FM / FM Stereo

Podczas słuchania radia FM naciśnij przycisk ST/MONO (B16) na pilocie, aby przełączać między trybem stereo a trybem mono. Ikona stereo FM „ST” pojawi się na wyświetlaczu, jeśli urządzenie jest w trybie stereo. Najlepiej jest odbierać program mono, gdy odbierasz słabą stację.

WSKAZÓWKI NAJLEPSZEJ RECEPCJI:

FM - Aby uzyskać najlepszy odbiór FM, antena przewodowa FM znajduje się z tyłu urządzenia i powinna być całkowicie rozpakowana i rozszerzona.

UWAGA: Automatyczne strojenie zależy od siły sygnału stacji nadawczej, więc słabe stacje mogą zostać pominięte. Możesz ręcznie dobrać, aby znaleźć słabe stacje, jeśli stacja zostanie pominięta. W przypadku silnych sygnałów tuner może zatrzymać się, zanim osiągnie rzeczywistą częstotliwość nadawania, więc może być konieczne ręczne dostrójenie w celu uzyskania najlepszego odbioru.

USTAWIANIE STACJI RADIOWYCH

1. Naciśnij przycisk POWER / STANDBY (A1, B1) na urządzeniu głównym lub pilocie, aby włączyć urządzenie.

2. Naciśnij przycisk ŹRÓDŁO (A1, B11) na urządzeniu głównym lub pilocie, aby wybrać tryb radia FM.

3. Naciśnij i przytrzymaj przycisk Track Track, Track up (A10, A11, B8, B18) na urządzeniu głównym lub pilocie, aż odczyt częstotliwości na wyświetlaczu zacznie skanować, a następnie zwolnij przycisk automatycznego wyszukiwania i zaprogramuj zaprogramowane kanały. „PROG” pojawia się na wyświetlaczu i miga. Automatyczne wyszukiwanie i program zatrzyma się na P01 po zakończeniu skanowania. „PROG” będzie stale wyświetlany na ekranie.

Uwaga: Jeśli kanały zapisane podczas automatycznego wyszukiwania i zaprogramowanego ustawienia wstępnego nie są kanałami, które chcesz zapisać, skorzystaj z poniższej metody, aby ręcznie zapisać ustawienia wstępne radia.

4. Dostrój do żądanej stacji radiowej albo metodą „ręcznie”, albo „automatycznie”.

5. Stuknij PROG . (B3) na pilocie, następny dostępny numer pamięci i migający PROG . Ikona (B3) pojawi się na wyświetlaczu LCD.

(Uwaga: „P01” pojawi się na wyświetlaczu, jeśli programujesz programowanie po raz pierwszy)

6. Stuknij PRE. Przycisk (B15, B19) na jednostce głównej lub pilocie, aby wybrać numer pamięci, do której chcesz przypisać stację.

7. Stuknij PROG . (B3) Przycisk do potwierdzenia ustawienia.

8. Powtórz powyższe kroki 4–8, aby zaprogramować do 30 stacji FM.

PRZYWOŁANIE WSTĘPNIE KANAŁÓW PAMIĘCI

W trybie radia przywołaj zaprogramowane kanały, naciskając PRE. Przycisk (B15, B19) na pilocie kilkakrotnie.

OBSŁUGA ODTWARZACZA CD

Uwaga:

1. Ten odtwarzacz CD będzie odtwarzał nie tylko komercyjne płyty CD, ale także samodzielnie skompilowane płyty CD-R / RW, MP3. Nie próbuj odtwarzać dysków CD-ROM, CDI, VCD, DVD lub CD z komputerem.

2. MP3 jest formą kompresji. Jest to akronim oznaczający MPEG Audio Layer 3. MP3 to rodzaj kodu audio, który jest przetwarzany przez znaczną kompresję z oryginalnego źródła audio przy bardzo niewielkiej utracie jakości dźwięku.

• Ten system obsługuje pliki MPEG 1 Layer 3 i VBR.

• Podczas odtwarzania pliku VBR licznik czasu na wyświetlaczu może różnić się od faktycznego czasu odtwarzania.

• Szybkość transmisji obsługiwana przez MP3 wynosi 32 ~ 320 kb / s

PRZECZYTAJ TE WAŻNE INFORMACJE:

Mechanizmy CD stosowane w takich urządzeniach są przeznaczone do odczytu wszystkich komercyjnych płyt CD. Odczyta również samodzielnie skompilowane płyty CD-R / CD-RW, MP3, ale rozpoczęcie odtwarzania może potrwać do 10 sekund. Jeśli odtwarzanie się nie rozpocznie, jest to prawdopodobnie spowodowane jakością płyty CD-R / RW, płyty MP3 i / lub zgodnością oprogramowania do kompilacji płyt CD. Producent nie ponosi odpowiedzialności za jakość odtwarzania płyt CD-R / RW, Mp3.

Nie należy przyklejać etykiet ani plomb po żadnej stronie płyty CD-R / RW, MP3. Może to spowodować awarię.

ODTWARZANIE CD

1. Naciśnij przycisk POWER / STANDBY (A1, B1) na urządzeniu głównym lub pilocie, aby włączyć urządzenie.

2. Naciśnij przycisk ŹRÓDŁO (A1, B11) na pilocie lub urządzeniu głównym, aby wybrać tryb CD, a następnie naciśnij przycisk Otwórz kieszeń na płytę.

3. Umieść płytę CD audio na środkowym wcięciu etykieta skierowaną do Góry. Zamknij kieszeń na płytę.

4. Urządzenie zaczyna odczytywać płytę, na wyświetlaczu pojawia się „----” i miga. Po kilku sekundach łączna liczba utworów pokazuje się przez jedną sekundę, a następnie całkowity czas płyty CD zostanie wyświetlony na WYŚWIETLACZU LCD.

5. Naciśnij przycisk PLAY / PAUSE (A9, B22) na urządzeniu głównym lub pilocie, na wyświetlaczu pojawi się wskaźnik PLAY, odtwarzanie płyty CD rozpocznie się od pierwszego utworu.

6. Naciśnij regulator głośności Wyreguluj głośność. na jednostce głównej lub pilocie, aby ustawić żądany poziom głośności.

7. Aby wstrzymać odtwarzanie, naciśnij przycisk PLAY / PAUSE (A9, B22) na urządzeniu głównym lub pilocie. Czas utworu zostanie wstrzymany, a na wyświetlaczu pojawi się wskaźnik PAUZA. Aby wznowić odtwarzanie, ponownie naciśnij przycisk CD PLAY / PAUSE (A9, B22).

8. Możesz wybrać odtwarzanie ulubionego utworu bezpośrednio, naciskając przycisk Track Down, Track up (A10, A11, B8, B18).

Wyświetlacz LCD wskazuje prawidłowy wybrany numer ścieżki.

9. Aby zlokalizować określoną sekcję na ścieżce, naciśnij i przytrzymaj przycisk Track Down, Track up (A10, A11, B8, B18), aż sekcja zostanie znaleziona. Zwolnij przycisk, aby kontynuować odtwarzanie swojego wyboru.

10. Aby zatrzymać odtwarzanie, naciśnij przycisk STOP (A8, B25).

PROCEDURA ODTWARZANIA PŁYTY Mp3

Aby odtwarzać płyty CD-R / RW, Mp3

1. Naciśnij przycisk SOURCE (A1, B11) na pilocie i załaduj płytę Mp3.

2. Naciśnij przycisk FOLDER (B15, B19), aby wybrać żądany folder odtwarzania.

3. Wybierz żądany plik do odtworzenia, naciskając przycisk Track Down, Track up (A10, A11, B8, B18).

4. Naciśnij PLAY / PAUSE (A9, B22). Rozpocznie się odtwarzanie i wyświetli się nazwa pliku.

5. W przypadku odtwarzania z wybranym trybem folderów naciśnij przycisk FOLDER (B15, B19), a folder można wybrać, nawet jeśli jest on w trybie odtwarzania / pauzy. Będzie kontynuował tryb odtwarzania / pauzy na 1. ścieżce wybranego folderu.

ODTWARZANIE ODTWARZACZA USB / MP3 Z FOLDEREM

1. Naciśnij kilkakrotnie przycisk SOURCE (A1, B11) na pilocie lub przycisk SOURCE (A1, B11) na urządzeniu głównym, aby wybrać funkcję USB. Podłącz urządzenie pamięci USB, które ma pliki w formacie MP3 na urządzeniu. Gdy pamięć USB jest podłączona do jednostki głównej, wyświetlane są informacje o urządzeniu.
2. Naciśnij przycisk FOLDER (B15, B19), aby wybrać żądany folder odtwarzania. Aby rozpocząć odtwarzanie przy włączonym trybie folderów, przejdź do kroku.
3. Wybierz żądany plik do odtworzenia, naciskając przycisk Track Down, Track up (A10, A11, B8, B18).
4. Naciśnij PLAY / PAUSE (A9, B22). Rozpocznie się odtwarzanie i wyświetli się nazwa pliku.

UWAGA:

- Ten produkt nie jest zgodny z systemami plików MTP i AAC z urządzenia pamięci masowej USB lub odtwarzacza Mp3.
- To urządzenie obsługuje FAT16 i FAT32, ale niektóre nośniki pamięci USB mogą nie obsługiwać obu systemów plików. Szczegółowe informacje można znaleźć w instrukcji obsługi danego urządzenia pamięci USB lub skontaktować się z producentem.

TRYB POMIŃ I WYSZUKIWANIA

1. W trybie odtwarzania lub pauzy dotknij przycisku Track Down, Track up (A10, A11, B8, B18), aby przejść do następnego utworu lub wrócić do początku bieżącego utworu.
2. Podczas odtwarzania naciśnij i przytrzymaj przycisk Track Down, Track up (A10, A11, B8, B18), aby wyszukać bieżący utwór za pomocą słyszalnego szybkiego odtwarzania.

RÓŻNE TRYBY ODTWARZANIA (TYLKO PILOT)

Naciśnij kilkakrotnie przycisk REPEAT (B6) na pilocie, aby wybrać inny tryb odtwarzania podczas odtwarzania płyty CD.

Podczas odtwarzania płyty CD tryby odtwarzania są pokazane poniżej:

Powtarzać
Powtórz wszystko
Normalna

REPEAT 1 - utwór jest odtwarzany i będzie się powtarzał w sposób ciągły. Powtórz jedną ikonę „REPEAT 1” pojawia się na wyświetlaczu.

REPEAT ALL - wszystkie ścieżki będą powtarzane w sposób ciągły. Powtórz wszystkie ikony „REPEAT ALL” pojawia się na wyświetlaczu.

LOSOWA GRA

Po naciśnięciu przycisku RANDOM (B20) trzy wskaźnik „RDM” zaświeci się na wyświetlaczu LCD. Utwory na płycie można automatycznie odtwarzać w losowej kolejności.

Aby anulować odtwarzanie losowe:

Naciśnij ponownie przycisk RANDOM (B20). Wskaźnik „RDM” zniknie.

UWAGA:

Jeśli naciśniesz przycisk podczas odtwarzania losowego, możesz przejść do ścieżki wybranej następnie w wyniku losowej operacji. Z drugiej strony przycisk nie pozwala przejść do poprzedniego utworu. Początek odtwarzanego utworu zostanie zlokalizowany.

W trybie odtwarzania losowego urządzenie automatycznie wybierze i odtworzy utwory. (Nie można wybrać kolejności ścieżek.)

ODTWARZANIE WSTĘPNE

1. Naciśnij INTRO (B20) na pilocie zdalnego sterowania. Wskaźnik „INTRO (B20)” pojawi się na wyświetlaczu.

Urządzenie odtworzy pierwsze 10 sekund każdego utworu.

2. Naciśnij ponownie INTRO (B20) na pilocie, aby wznowić normalne odtwarzanie.

PROGRAMOWANIE SEKWENCJI ODTWARZANIA ŚCIEŻEK

Ta funkcja umożliwia odtwarzanie utworów w zaprogramowanej sekwencji. Użytkownik może zaprogramować do 32 utworów w trybie CD lub 99 utworów w formacie MP3 w dowolnym

UWAGA: Program można ustawić tylko w trybie STOP.

1. Wybierz PROG . Przycisk (B3) na pilocie, na wyświetlaczu pojawia się numer programu „1”, ikona „PROG” i numer utworu CD „-” migają również na wyświetlaczu LCD. (Uwaga: „1” pojawi się na wyświetlaczu, jeśli programujesz po raz pierwszy).
2. Użyj opcji Track DOWN, Track up (A10, A11, B8, B18) na urządzeniu głównym lub pilocie, aby wybrać żądaną ścieżkę. Numer utworu zostanie wyświetlony na wyświetlaczu.
3. Stuknij PROG . Przycisk (B3) na jednostce głównej lub pilocie, aby zapisać wybraną ścieżkę w pamięci, następny numer programu przesunie się o jeden (tj. „2”) na wyświetlaczu LCD.
4. Powtórz kroki od 2 do 3, aby zapisać więcej ścieżek w pamięci. Możesz zapisać do 32 ścieżek CD, MP3 99 ścieżek. Wyświetlacz pokaże „FUL” po zaprogramowaniu utworów.
5. Stuknij ODTWÓRZ / PAUZA (A9, B22), na urządzeniu głównym lub pilocie, aby rozpocząć odtwarzanie płyty CD w zaprogramowanej kolejności.
6. Naciśnij przycisk REPEAT (B6) na pilocie, aby wybrać Powtórz 1 / Wszystkie, jeśli to konieczne.
7. Aby zatrzymać odtwarzanie, naciśnij przycisk STOP (A8, B25) na urządzeniu głównym lub pilocie.

Aby anulować odtwarzanie programu, naciśnij dwukrotnie przycisk STOP (A8, B25) na urządzeniu głównym lub pilocie, ikona „PROG” zniknie z wyświetlacza.

OBŚLUGA BLUETOOTH

Naciśnij przycisk POWER / STANDBY (A1, B1), aby WŁĄCZYĆ urządzenie i postępuj zgodnie z instrukcjami poniżej, aby połączyć się przez Bluetooth.

PAROWANIE (Łączenie) telefonu komórkowego z włączonym BLUETOOTH LUB INNYM URZĄDZENIEM BLUETOOTH z urządzeniem. Jeśli CR 1173 nigdy wcześniej nie był sparowany z urządzeniem Bluetooth. Aby połączyć urządzenie z urządzeniem Bluetooth, postępuj zgodnie z instrukcjami poniżej.

1. Naciśnij przycisk POWER / STANDBY (A1, B1) na urządzeniu głównym lub pilocie, aby włączyć urządzenie.
2. Naciśnij przycisk ŹRÓDŁO (A1, B11) na pilocie głównym lub na pilocie, aby wybrać tryb Bluetooth, komunikat Bluetooth „bt” pojawi się na wyświetlaczu i będzie migał.
3. Jeśli CR 1173 nigdy wcześniej nie był sparowany z urządzeniem Bluetooth lub nie może znaleźć ostatniego sparowanego urządzenia, migające „bt” na wyświetlaczu LCD wskazuje, że CR 1173 jest w trybie wyszukiwania. Aby połączyć urządzenie z urządzeniem Bluetooth, postępuj zgodnie z instrukcjami poniżej.

- Włącz funkcję Bluetooth urządzenia Bluetooth i włącz funkcję wyszukiwania lub skanowania, aby znaleźć CR 1173.
- Wybierz „CR 1173” z listy urządzeń, gdy pojawi się na ekranie urządzenia. W razie potrzeby wprowadź kod dostępu „0000”, aby sparować (połączyć) CR 1173 z urządzeniem.
- 4. Po pomyślnym sparowaniu (połączeniu), ekran zmieni się na stałe wyświetlanie „bt”, na wyświetlaczu pojawi się również ikona Bluetooth. Możesz rozpocząć odtwarzanie muzyki z urządzenia Bluetooth bezprzewodowo do głośnika.
- 5. Po wybraniu ulubionego utworu naciśnij przycisk PLAY PAUSE (B22, A9) na urządzeniu lub pilocie, aby odtworzyć lub zatrzymać utwór.
- 6. Naciśnij regulator głośności na urządzeniu głównym lub pilocie, aby ustawić żądany poziom głośności.
- 7. Naciśnij przycisk Track Track, Track up (B8, B9) na urządzeniu głównym lub pilocie, aby przejść do poprzedniego lub następnego utworu.
- 8. Jeśli chcesz sparować urządzenie z innym urządzeniem obsługującym technologię Bluetooth, naciśnij i przytrzymaj przycisk PAIR (B10) przez 3 sekundy lub wyłącz funkcję Bluetooth urządzenia sparowanego z urządzeniem, a następnie powtórz krok 3 powyżej.

Uwagi:

- 1.) Informacje na temat obsługi Bluetooth można znaleźć w instrukcji obsługi telefonu komórkowego, tabletu PC, komputera lub innych urządzeń obsługujących technologię Bluetooth, ponieważ mogą one różnić się w zależności od modelu.
- 2.) Jeśli urządzenie obsługujące technologię Bluetooth nie obsługuje profilu A2DP, nie będzie odtwarzać muzyki przez głośnik, nawet jeśli zostanie sparowane (połączone).
- 3.) W przypadku parowania (łączenia) komputera z urządzeniem za pomocą Bluetooth może być konieczne ustawienie głośnika jako domyślnego urządzenia dźwiękowego komputera.

OPERACJA WEJŚCIA AUX

To urządzenie jest wyposażone w pomocnicze gniazdo wejściowe sygnału audio do podłączania zewnętrznych urządzeń audio, takich jak odtwarzacz MP3, cyfrowe urządzenie audio i słuchania ich przez głośniki tego urządzenia.

1. Użyj kabla audio (brak w zestawie) z jedną wtyczką stereo 3,5 mm na każdym końcu kabla.
2. Podłącz jeden koniec do gniazda AUX IN JACK (A5) na jednostce głównej, a drugi koniec kabla do gniazda Line-out lub słuchawkowego zewnętrznego urządzenia audio.
3. Włącz urządzenie i zewnętrzne urządzenie audio.
4. Naciśnij przycisk SOURCE (A1, B11) na urządzeniu głównym lub na pilocie, aby wybrać tryb AUX, ikona „AUX” zaświeci się, na wyświetlaczu pojawi się komunikat „AUX”.
5. Poziom głośności można teraz kontrolować za pomocą jednostki głównej. Obsługuj wszystkie pozostałe funkcje na urządzeniu pomocniczym jak zwykle.

Uwaga:

· Po podłączeniu tego urządzenia do gniazda wyjścia liniowego urządzenia zewnętrznego wystarczy regulować głośność tego urządzenia. Jeśli podłączysz gniazdo słuchawkowe urządzenia zewnętrznego, może być konieczne wyregulowanie zarówno poziomu głośności urządzenia zewnętrznego, jak i tego urządzenia, aby uzyskać pożądane ustawienie głośności.

PRESET EQ (TYLKO PILOT)

To urządzenie oferuje 4 różne tryby EQ, aby poprawić wrażenia słuchowe. Możesz wybrać żądany efekt, naciskając kilkakrotnie przycisk EQ (B5) na pilocie w następującej kolejności:

ROCK POP JAZZ CLASSIC OFF

PRZYCISK WYCISZENIA (TYLKO ZDALNE STEROWANIE)

- Naciśnij przycisk MUTE (B21) na pilocie, aby tymczasowo wyciszyć dźwięk z głośnika. Na wyświetlaczu pojawi się „V 00”.
- Naciśnij ponownie przycisk MUTE (B21) lub REGULACJA GŁOŚNOCI (B23, A12), aby wznowić normalne odtwarzanie głośników.

OPERACJE UŚPIENIA (TYLKO ZDALNE STEROWANIE)

Timer uśpienia umożliwi wyłączenie urządzenia po upływie wyznaczonego czasu.

1. Aby aktywować wyłącznik czasowy, włącz urządzenie i dotknij przycisku ŹRÓDŁO (A1, B11), aby wybrać radio FM, CD, USB, Bluetooth lub słuchać muzyki przez AUX IN.
2. Naciśnij przycisk SLEEP (B14) na pilocie zdalnego sterowania, na wyświetlaczu pojawi się ikona czasu uśpienia „SLEEP”.
3. Naciśnij przycisk SLEEP (B14), aby wybrać czas snu. Urządzenie włączy się po 10, 20, 30, 40, 50, 60, 70, 80 lub 90 minutach. Poczekaj 3 sekundy po dokonaniu wyboru, aby urządzenie potwierdziło wybór, urządzenie będzie grać przez wybrany czas, a następnie automatycznie się wyłączy.
4. Aby anulować wyłącznik czasowy, naciśnij kilkakrotnie przycisk SLEEP (B14), aż timer pokaże „OFF”, ikona czasu uśpienia „SLEEP” zniknie z wyświetlacza.
5. Aby wyłączyć urządzenie przed wybranym czasem, naciśnij przycisk POWER / STANDBY (A1, B1) w dowolnym momencie.

Uwagi

- 1.) Aby sprawdzić pozostały czas snu, naciśnij przycisk SLEEP (B14) jeden raz.
- 2.) Jeśli zasypiesz przy muzyce z urządzenia zewnętrznego podłączonego do wejścia AUX, wyłącznik czasowy wyłączy zasilanie tego systemu, ale nie wyłączy urządzenia zewnętrznego.

KORZYSTANIE Z SŁUCHAWEK (NIE DOŁĄCZONE)

Włożenie wtyczki słuchawek do stereofonicznego gniazda słuchawkowego (A17) umożliwi prywatne słuchanie muzyki z płyty CD lub radia. Podczas korzystania ze słuchawek wbudowane głośniki zostaną odłączone.

PRZED UŻYCIEM SŁUCHAWEK PRZECZYTAJ TE WAŻNE INFORMACJE

1. Unikaj przedłużonej gry przy bardzo dużej głośności, ponieważ może to upośledzić słuch.
2. Jeśli poczujesz dzwonienie w uszach, zmniejsz głośność lub wyłącz urządzenie.
3. Utrzymuj głośność na rozsądnym poziomie, nawet jeśli zestaw słuchawkowy jest typu „open air”, który pozwala słyszeć dźwięki z zewnątrz. Pamiętaj, że zbyt wysoki poziom głośności może nadal blokować dźwięki z zewnątrz.

RESETOWANIE

Jeśli system nie reaguje lub działa nieprawidłowo, być może doszło do wyładowania elektrostatycznego (ESD) lub skoku zasilania, który spowodował automatyczne zamknięcie komputera wewnętrznego. W takim przypadku odłącz przewód zasilający od źródła zasilania, odczekaj 60 sekund, a następnie ponownie podłącz przewód zasilający do źródła zasilania. Urządzenie zostanie zresetowane, należy ustawić zegar, budzik i zaprogramowane kanały radiowe.

OPIEKA I UTRZYMANIE

1. Nie narażaj urządzenia na nadmierną siłę, wstrząsy, kurz lub ekstremalne temperatury (powyżej 40 ° C).
2. Nie manipuluj wewnętrznymi elementami urządzenia.
3. Wyczyść urządzenie suchą szmatką. Nigdy nie należy używać rozpuszczalnika lub detergentu.
4. Unikaj pozostawiania urządzenia w bezpośrednim świetle słonecznym lub w gorących, wilgotnych lub zakurzonych miejscach.
5. Trzymaj urządzenie z dala od urządzeń grzewczych i źródeł hałasu elektrycznego, takich jak świetlówki lub silniki.
6. Jeśli podczas odtwarzania płyty CD wystąpią przerwy lub przerwy w odtwarzaniu muzyki lub jeśli płyta CD w ogóle nie będzie odtwarzana, jej dolna powierzchnia może wymagać czyszczenia. Przed rozpoczęciem odtwarzania wytrzyj płytę od środka na zewnątrz dobrą miękką ściereczką do czyszczenia.

CZYSZCZENIE URZĄDZENIA

- Aby zapobiec ryzyku pożaru lub porażenia prądem, podczas czyszczenia odłącz urządzenie od źródła prądu przemiennego.
- Wykończenie urządzenia można czyścić ściereczką do kurzu i pielęgnować jak inne meble. Zachowaj ostrożność podczas czyszczenia i wycierania plastikowych części.
- Jeśli obudowa ulegnie zakurzeniu, wytrzyj ją miękką suchą ściereczką do kurzu. Nie używaj żadnych sprayów woskowych ani polskich na obudowie.
- Jeśli przedni panel zostanie zabrudzony lub zabrudzony odciskami palców, można go wyczyścić miękką szmatką lekko zwilżoną łagodnym roztworem mydła i wody. Nigdy nie używaj ściernych ściereczek ani środków do polerowania, ponieważ mogą one uszkodzić wykończenie urządzenia.

PRZESTROGA: Nigdy nie dopuścić do przedostania się wody lub innych płynów do wnętrza urządzenia podczas czyszczenia

Dane techniczne:

Wymagania dotyczące zasilania:

Jednostka główna: 230 V ~ 50 Hz

Zdalne: CR2025 3 V.

Sekcja odtwarzacza DISC

System: płyta kompaktowa i cyfrowy system audio

Właściwości diody laserowej:

Czas trwania emisji: ciągły

Wyjście lasera: mniej niż 44,6 mW (To wyjście jest pomiarem wartości w odległości 200 mm od powierzchni soczewki obiektywu na optycznym bloku zbierającym o aperturze 7 mm.)

Zakres częstotliwości

Sekcja tunera FM:

Zakres strojenia: 87,5 MHz - 108,0 MHz (krok 50 kHz).

Moc głośników: 2x 5 W.

Max: 28W

УСЛОВИЯ ЗА БЕЗОПАСНОСТ ВАЖНИ ИНСТРУКЦИИ ЗА БЕЗОПАСНОСТ НА ИЗПОЛЗВАНЕ, МОЛЯ, ПРОЧЕТЕТЕ ВНИМАТЕЛНО И ПАЗЕТЕ ЗА БЪДЕЩА РЕФЕРЕНЦИЯ

Гаранционните условия са различни, ако устройството се използва с търговска цел.

1. Преди да използвате продукта, моля, прочетете внимателно и винаги спазвайте следните инструкции. Производителят не носи отговорност за щети, причинени от злоупотреба.
2. Продуктът трябва да се използва само на закрито. Не използвайте продукта за цели, които не са съвместими с приложението му.
3. Приложимото напрежение е 230V, ~ 50Hz. От съображения за безопасност не е подходящо да свързвате множество устройства към един контакт.
4. Моля, бъдете внимателни, когато използвате около деца. Не позволявайте на децата да си играят с продукта. Не позволявайте на деца или хора, които не познават устройството, да го използват без надзор.
5. **ПРЕДУПРЕЖДЕНИЕ:** Това устройство може да се използва от деца на възраст над 8 години и лица с намалени физически, сензорни или умствени способности или лица без опит или познания за устройството, само под наблюдението на лице, отговорно за тяхната безопасност, или ако са били инструктирани за безопасното използване на устройството и са наясно с опасностите, свързани с работата му. Децата не трябва да играят с устройството. Почистването и поддръжката на устройството не трябва да се извършват от деца, освен ако не са на възраст над 8 години и тези дейности се извършват под наблюдение.
6. След като приключите с използването на продукта, винаги не забравяйте внимателно да извадите щепсела от контакта, който държи контакта с ръка. Никога не дърпайте охранващия кабел !!!
7. Никога не поставяйте охранващия кабел, щепсела или цялото устройство във водата. Никога не излагайте продукта на атмосферни условия като пряка слънчева светлина или дъжд и др. Никога не използвайте продукта във влажни условия.
8. Периодично проверявайте състоянието на охранващия кабел. Ако охранващият кабел е повреден, продуктът трябва да бъде обърнат на място за професионално обслужване, което да бъде заменено, за да се избегнат опасни ситуации.
9. Никога не използвайте продукта с повреден охранващ кабел или ако той е изпуснат или повреден по някакъв друг начин или ако не работи правилно. Не се опитвайте сами да поправяте дефектирания продукт, защото това може да доведе до токов удар. Винаги обръщайте повреденото устройство на място за професионално обслужване, за да го поправите. Всички ремонти могат да се извършват само от оторизирани сервизни специалисти. Ремонтът, който е извършен неправилно, може да доведе до опасни ситуации за потребителя.
10. Никога не поставяйте продукта върху или близо до горещите или топли повърхности или кухненските уреди като електрическата фурна или газовата горелка.
11. Никога не използвайте продукта близо до горими вещества.

12. Не позволявайте кабелът да виси над ръба на плота или да докосва горещи повърхности.
13. Никога не оставяйте продукта свързан към източника на захранване без надзор. Дори когато употребата е прекъсната за кратко, изключете я от мрежата и изключете захранването.
14. За да се осигури допълнителна защита, се препоръчва да се монтира устройство за остатъчен ток (RCD) в силовата верига с номинален остатъчен ток не повече от 30 mA. По този въпрос се свържете с професионален електротехник.
15. Избягвайте да намокряте устройството.
16. Устройството може да се избърсва само със суха кърпа. Не използвайте вода или почистващи течности.
17. Устройството трябва да се съхранява в сухо помещение.

УСТРОЙСТВО:

1. ИНДИКАТОР ЗА ВКЛЮЧВАНЕ / ИЗКЛЮЧВАНЕ НА МОЩНОСТТА
2. ИЗТОЧНИК
3. ВРЕМЕ ЗАДАВАНЕ / БУТОН ЗА ПАМЕТ
4. ТУНЕР КАНАЛ - 5.AUX IN 6.USB 7. ТУНЕР КАНАЛ +
8. Бутон за спиране на CD / бутон за двойка BLUETOOTH
9. CD / BLUETOOTH PLAY / PAUSE / RADIO AUTO ТЪРСЕНЕ БУТОН
10. CD / BLUETOOTH SKIP ПРЕДИШЕН / НАСТРОЙКА - БУТОН
11. CD / BLUETOOTH SKIP NEXT / TUNE + БУТОН
12. КОПЧЕ ЗА КОНТРОЛ НА ОБЕМА
13. LCD дисплей
14. Бутон за отваряне / затваряне на CD врати
15. CD врати
- 16.FM АНТЕНА
17. КАНАЛ ЗА СЛУШАЛКИ
18. ДЯСЕН КОНЕКТОР ЗА ТОЧНИК
20. DC АДАПТЕР ЗА МОЩНОСТ
21. ВРАТА НА АКУМУЛАТОРНОТО ОТДЕЛЕНИЕ

ДИСТАНЦИОННО:

1. ИНДИКАТОР ЗА ВКЛЮЧВАНЕ / ИЗКЛЮЧВАНЕ НА МОЩНОСТТА
3. ПРОГ. БУТОН
4. CD / USB ТРАНС НАДОЛУ ИЛИ ВРЕМЕ НАДОЛУ, БУТОН НА ТУНЕР НАДОЛУ
5. БУТОН ЗА ЕКВАЛИЗАТОР
6. БУТОН ЗА ПОВТОРЯНЕ
- 7.X-BASS БУТОН
8. ТУК НАДОЛУ
9. CD / BLUETOOTH PLAY / PAUSE / RADIO AUTO ТЪРСЕНЕ БУТОН
10. CD / BLUETOOTH SKIP ПРЕДИШЕН / НАСТРОЙКА - БУТОН
11. CD / BLUETOOTH SKIP NEXT / TUNE + БУТОН
12. КОМПЛЕКТ ЗА БЛОКИРАНЕ
13. LCD дисплей
14. Бутон за отваряне / затваряне на врати на CD
15. ВРАТА ЗА CD
- 16.FM АНТЕНА
17. ДЖАК ЗА СЛУШАЛКИ
18. ДЯСЕН КОНЕКТОР ЗА ГОВОРИ
19. ЛЕВ КОНЕКТОР ЗА ГОВОРИ
20. СЛУЧАЙНО БУТОН И ИНТРО БУТОН
21. ВРАТА НА АКУМУЛАТОРНОТО ОТДЕЛЕНИЕ
22. БУТОН ЗА ПУСКАНЕ / ПАУЗА BT
23. ОБЕМ НАДОЛУ БУТОН
24. Бутон за възпроизвеждане на CD / пауза
25. Бутон за спиране на CD

СВЪРЗАНИЯ НА СИСТЕМАТА

Уверете се, че изключвате променливотоковия кабел от контакта, преди да направите каквито и да е връзки.

Променливотоково свързване

Включете променливотоковия кабел в наличния 230V ~ 50Hz AC контакт. Уверете се, че щепселът е здраво поставен в контакта.

Инсталиране на батериите за архивиране на батерията

1. Отстранете вратичката на отделението за батерии, разположена в долната част на основното устройство.
2. Следвайте маркировките за полярност в отделението за батерии и поставете 2 батерии AAA (не са включени) в двата слота за батерии, разположени в отделението за батерии.
3. Сменете капака на батерията.

ЗАБЕЛЕЖКИ:

- Когато подмените резервните батерии, не изключвайте променливотоковия кабел от контакта. Ако го направите, всички текущи дата и настройки на алармата ще бъдат изтрети.
- Ако устройството ще остане изключено за дълъг период от време, извадете батериите, за да избегнете повреда, която може да възникне, ако батериите изтекат и причинят корозия.

Дистанционно

Дистанционното управление работи с една литиева батерия CR2025 3V (включена в дистанционното). За да активирате дистанционното управление, отстранете изолационния фиксатор, поставен в отделението за батерии.

Ако дистанционната работа стане периодична или незадоволителна, заменете оригиналната батерия с нова литиева батерия CR2025 3V.

- 1.) Натиснете надолу капака на отделението, издърпайте държача на батерията от кутията на дистанционното управление.
- 2.) Сменете батерията, като се уверите, че батерията е инсталирана правилно. Дистанционното няма да работи, ако батерията е инсталирана с грешна полярност.

ВНИМАНИЕ:

- 1.) Опасност от експлозия, ако батерията е сменена неправилно.
- 2.) Сменяйте само със същия или еквивалентен тип батерия.
- 3.) Поставете държача на батерията обратно в слота за батерията.

Включване / изключване на модула

1. В режим Off (режим на готовност) докоснете бутона POWER / STANDBY (A1, B1) на основното устройство или дистанционното управление, за да включите устройството. Устройството ще се включи, последната избрана икона за режим на въвеждане ще се покаже на LCD дисплея.
2. За да изключите устройството (в режим на готовност), докоснете отново бутона за включване POWER / STANDBY (A1, B1) на основното устройство или дистанционното управление. LCD дисплеят ще потъмнее и ще покаже текущото време. Индикаторът за режим на готовност свети.

НАСТРОЙКА НА ЧАСОВНИКА

След включване на променливотоковото захранване на LCD дисплея ще се появи „00:00“ и ще започне да мига.

1. В режим на изключване (режим на готовност) натиснете и задръжте бутона CLOCK SET (B13) на дистанционното управление или основното устройство, 24-часовият формат „24H“ ще се покаже на дисплея.
2. Докоснете бутона Предишен / Следващ (B4, B18) на дистанционното управление или основното устройство, за да изберете 24-часов формат, ако е необходимо. В противен случай натиснете бутона CLOCK SET (B12), за да потвърдите 12-часов формат на часовника и да влезете в режим за настройка на часовника, цифрите за час ще мигат.
3. Докоснете бутона за предишен / следващ (B4, B18) на дистанционното управление или основното устройство, за да регулирате часа. Натиснете и задръжте бутона за бърза настройка напред / назад.
- Забележка: Уверете се, че часът е настроен така, че индикаторът PM да се показва правилно.
4. Натиснете бутона CLOCK SET (B12) на дистанционното управление, за да потвърдите настройката на часа, минутните цифри ще мигат, за да поискате въвеждане.
5. Докоснете бутона Предишен / Следващ (B4, B18) на дистанционното управление или основното устройство, за да регулирате минутите. Натиснете и задръжте бутона за бърза настройка напред / назад.
6. Натиснете отново бутона CLOCK SET (B12) на дистанционното управление, за да завършите настройката.

ЗАБЕЛЕЖКА: Предварителните настройки на часовника и радиостанцията ще трябва да бъдат нулирани, ако прекъснете захранването или в случай на прекъсване на електрозахранването. На LCD дисплея ще се появи „00:00“ и ще започне да мига, за да ви уведоми, че захранването е прекъснато и часовникът ще трябва да бъде нулиран. Моля, следвайте стъпки 1-6 по-горе, за да нулирате часовника.

ПРОВЕРКА НА ЧАСОВНИКА

Устройството ще показва текущото време в режим на готовност. За да проверите текущото време в режим на включване, натиснете и задръжте бутона CLOCK SET (B12) на основното устройство или дистанционното управление за 3 секунди, текущото време ще се покаже за 5 секунди и след това ще се върнете към предишния екран.

АЛАРМЕНА РАБОТА (САМО ДИСТАНЦИОНЕН КОНТРОЛ)

НАСТРОЙКА НА БУДИЛНИК

Тази функция позволява на системата да се включи автоматично и да ви събуди с помощта на звуков сигнал, CD, USB или BU RADIO.

1. Натиснете и задръжте бутона ТАЙМЕР (B13) на дистанционното управление, докато на дисплея се покаже „On“ и цифрите за часа мигат.
2. Натиснете бутоните предходен / следващ (B4, B18), за да настроите цифрите на часовете, след което натиснете бутона TIMER, за да потвърдите. На дисплея ще мигат цифрите за минутите.
3. Натиснете бутоните предходен / следващ (B4, B18), за да регулирате минутните цифри, след което натиснете бутона TIMER (B13), за да потвърдите.
4. Когато е зададен предходният / следващият бутон (B4, B18) на таймера с таймер, дисплеят ще покаже „OFF“ и цифрите за часа ще мигат.
5. Натиснете бутоните Предишен / Следващ (B4, B18), за да регулирате цифрите на часовете, и след това натиснете бутона TIMER (B13), за да потвърдите. На дисплея ще мигат цифрите за минутите.
6. Натиснете бутоните предходен / следващ (B4, B18) на дистанционното управление, за да регулирате минутните цифри, след което натиснете бутона TIMER, за да потвърдите.

7. Натиснете бутоните, за да изберете режим CD, USB, BT или FM, след което натиснете бутона TIMER (B13), за да потвърдите. Дисплеят ще покаже "VOL #" и ще мига.
Натиснете бутоните предходен / следващ (B4, B18), за да регулирате силата на звука, след което натиснете бутона TIMER, за да потвърдите.
8. Натиснете бутона TIMER (B13), за да изберете „Timer On“ (Включен таймер) и таймерът вече е включен комплект.
9. В режим на готовност иконата на таймера ще се покаже на дисплея, за да покаже, че таймерът е включен.

ЗАБЕЛЕЖКА:

- 1.) Ако е избрано „Wake to CD, USB“, но не е поставен CD, алармата ще се включи автоматично по време на събуждане на алармата.
- 2.) За „Wake to Radio“ системата ще зададе последната FM радио станция, прослушана преди изключване.
- 3.) Алармата за крещендо ще се увеличи до нивото на силата на звука, което сте задали.

АКТИВНА / ДЕАКТИВНА ФУНКЦИЯ НА АЛАРМА

1. За да активирате АЛАРМА, докоснете веднъж бутона ТАЙМЕР (B13) и иконата на алармата ще се покаже на LCD дисплея.
2. Отменете функцията ALARM, като докоснете отново бутона TIMER (B13). Иконата на алармата ще изгасне.

Wake to Radio, CD, USB или BUZZER Аларма

- Когато времето за аларма бъде достигнато, алармата за CD, USB или радио бипкане ще звучи в продължение на 60 минути, след което ще се изключи и нулира за следващия ден (без да натискате бутона за отлагане).
- За да спрете алармата веднага след звука, докоснете еднократно бутона POWER / STANDBY (A1, B1) на дистанционното управление или на основното устройство. Нулира се за следващия ден.
- За да отмените алармата за следващия ден, докоснете бутон ТАЙМЕР (B13) веднъж, иконата ALARM изгасва.

РАДИО РАБОТА

1. Докоснете бутона POWER / STANDBY (A1, B1) на основното устройство или дистанционното управление, за да включите устройството.
2. Докоснете бутона SOURCE (A1, B11) на основното устройство или дистанционното управление, за да изберете FM режим, FM радио честотата се появява на дисплея.
3. За да настроите ръчно на определена радиостанция, докоснете многократно Track Down, Track up (A10, A11, B8, B18) на основното устройство или дистанционното управление. Използвайте метода за ръчна настройка, за да настроите по-слаби станции, които се заобикалят по време на автоматична настройка.
4. За да настроите автоматично следващата налична радиостанция, натиснете и задръжте бутона за проследяване (A10, A11, B8, B18) на основното устройство или дистанционното управление за 1-2 секунди, докато отчитането на честотата на дисплея започне да сканира и след това отпуснете бутона. Тунерът ще спре сканирането, когато получи следващата излъчваща станция с адекватна сила на сигнала.
5. Натиснете контрола на силата на звука на основното устройство или дистанционното управление, за да регулирате силата на звука до желаното ниво на звука.

FM / FM стерео приемане

Когато слушате FM радио, натиснете бутона ST./ MONO (B16) на дистанционното управление, за да превключвате между стерео режим и моно режим. FM стерео иконата "ST" ще се появи на дисплея, ако устройството е в стерео режим. За предпочитане е програмата да се получава моно, когато получавате слаба станция.

СЪВЕТИ ЗА НАЙ-ДОБРИЯ ПРИЕМ:

FM - за най-добро FM приемане, FM водещата антена, разположена на гърба на устройството трябва да бъде напълно разгънат и удължен.

ЗАБЕЛЕЖКА: Автоматичната настройка зависи от силата на сигнала на излъчващата станция, така че слабите станции могат да бъдат пропуснати. Можете да настроите ръчно, за да намерите слабите станции, ако дадена станция бъде пропусната. При силни сигнали тунерът може да спре, преди да достигне действителната честота на излъчване, така че може да се наложи да настроите ръчно за най-добро приемане.

ПРЕДВАРИТЕЛНИ РАДИОСТАНЦИИ

1. Натиснете бутона POWER / STANDBY (A1, B1) на основното устройство или дистанционното управление, за да включите устройството.
2. Докоснете бутона SOURCE (A1, B11) на основното устройство или дистанционното управление, за да изберете режим на FM радио.
3. Натиснете и задръжте натиснете бутона Track Down, Track up (A10, A11, B8, B18) на основното устройство или дистанционното управление, докато отчитането на честотата на дисплея започне да сканира и след това освободете бутона за автоматично търсене и програмиране на предварително зададени канали. "PROG" се появява на дисплея и мига. Автоматичното търсене и

програмата ще спрат на P01 след завършване на сканирането, на дисплея постоянно се показва "PROG".

Забележка: Ако каналите, съхранени по време на автоматично търсене и програмирана предварителна настройка, не са тези, които искате да бъдат запазени, използвайте метода по-долу за ръчно запамяване на радиопредустановки.

4. Натиснете се на желаната радиостанция чрез метод на ръчно или автоматично настройване.

5. Докоснете PROG. (B3) на дистанционно управление, следващия наличен предварително зададен номер на паметта и мигащ PROG. Иконата (B3) ще се покаже на LCD дисплея. (Забележка: „P01“ ще се покаже на дисплея, ако програмирате предварително зададени настройки)

6. Докоснете PRE. Бутон (B15, B19) на основното устройство или дистанционното управление, за да изберете предварително зададения номер, на който искате да присвоите станцията.

7. Докоснете PROG. (B3) Бутон за потвърждение на настройката.

8. Повторете горните стъпки 4 - 8, за да запазите до 30 FM станции.

ПРИПОМНЯНЕ НА ПРЕДВАРИТЕЛНИ КАНАЛИ ЗА ПАМЕТ

В радио режим извикайте предварително зададените канали, като натиснете PRE. Бутон (B15, B19) на дистанционното управление неколкократно.

РАБОТА С CD ПЛЕЙЪРА

Забележка:

1. Този CD плейър ще възпроизвежда не само търговски компактдискове, но и самокомпилирани CD-R / RW, MP3 дискове. Не се опитвайте да възпроизвеждате CD-ROM, CDI, VCD, DVD или компютърни CD-та.

2. MP3 е форма на компресия. Това е съкращение, което означава MPEG Audio Layer 3. MP3 е вид аудио код, който се обработва чрез значително компресиране от оригиналния аудио източник с много малка загуба в качеството на звука.

● Тази система поддържа MPEG 1 Layer 3 и VBR файлове.

● По време на възпроизвеждане на VBR файл, броячът на времето на дисплея може да се различава от действителното му време за възпроизвеждане.

● Битрейтът, който се поддържа от MP3, е 32 ~ 320 kbps

МОЛЯ, ПРОЧЕТЕТЕ ТАЗИ ВАЖНА ИНФОРМАЦИЯ:

CD механизмите, използвани в устройствата като това, са предназначени да четат всички търговски компактдискове. Той ще чете и самокомпилирани CD-R / CD-RW, MP3 дискове, но може да отнеме до 10 секунди, за да започне действителното възпроизвеждане. Ако възпроизвеждането не започне, това вероятно се дължи на качеството на CD-R / RW, MP3 диска и / или съвместимостта на софтуера за компилиране на CD. Производителят не носи отговорност за качеството на възпроизвеждане на CD-R / RW, MP3 дискове.

Не поставяйте етикет или печат от двете страни на CD-R / RW, MP3 диска. Това може да причини неизправност.

ВЪЗПРОИЗВЕЖДАНЕ НА CD

1. Натиснете бутон POWER / STANDBY (A1, B1) на основното устройство или дистанционното управление, за да включите устройството.

2. Докоснете бутона SOURCE (A1, B11) на дистанционното управление или основното устройство, за да изберете режим на CD и след това натиснете Отворете отделението за диска.

3. Поставете аудио компактдиск върху централния шпиндел, така че етикетната му страна да е обърната към вратичката на CD. Затворете отделението за дискове.

4. Устройството започва да чете диска, на дисплея се показва и мига "----". След няколко секунди общият брой на песните показва една секунда и след това общото време на CD ще се покаже на LCD дисплея.

5. Натиснете бутона PLAY / PAUSE (A9, B22) на основното устройство или дистанционното управление, индикаторът PLAY се показва на дисплея, CD ще започне да се възпроизвежда от първата песен.

6. Натиснете контрола на силата на звука Регулирайте силата на звука. на основното устройство или дистанционното управление, за да настроите желаното ниво на силата на звука.

7. За да спрете възпроизвеждането на пауза, натиснете бутона PLAY / PAUSE (A9, B22) на основното устройство или дистанционното управление. Времето на записа ще бъде поставено на пауза и индикаторът PAUSE ще се покаже на дисплея. За да продължите възпроизвеждането, натиснете отново бутона PLAY / PAUSE (A9, B22).

8. Можете да изберете да възпроизвеждате любимата си песен директно, като натиснете или Track Down, Track up (A10, A11, B8, B18). LCD дисплеят ще покаже правилно избрания номер на песента.

9. За да намерите конкретна секция в дадена песен, натиснете и задръжте Track Down, Track up (A10, A11, B8, B18), докато секцията бъде намерена. Отпуснете бутона, за да продължите да възпроизвеждате своя избор.

10. За да спрете възпроизвеждането, натиснете бутона STOP (A8, B25).

ПРОЦЕДУРА ЗА ВЪЗПРОИЗВЕЖДАНЕ НА MP3 ДИСК

За възпроизвеждане на CD-R / RW, Mp3

1 Натиснете бутона SOURCE (A1, B11) на дистанционното управление и заредете MP3 диск.

2 Натиснете бутона FOLDER (B15, B19), за да изберете желаната папка за възпроизвеждане.

3 Изберете желания файл за възпроизвеждане, като натиснете бутона Track Down, Track up (A10, A11, B8, B18).

4 Натиснете PLAY / PAUSE (A9, B22). Възпроизвеждането ще започне и името на файла ще се покаже.

с В случай на възпроизвеждане с включен режим на папка, натиснете бутона FOLDER (B15, B19) и папката може да бъде избрана, въпреки че е в режим на възпроизвеждане / пауза. Той ще продължи режима на възпроизвеждане / пауза в 1-ви запис на избраната папка.

ЗА ВЪЗПРОИЗВЕЖДАНЕ USB / MP3 ПЛЕЙЪР С ПАПКА

1. Натиснете многократно бутона SOURCE (A1, B11) на дистанционното управление или бутона SOURCE (A1, B11) на основното устройство, за да изберете USB функция. Свържете USB устройството с памет, което има файлове с MP3 формат на устройството. Когато USB паметта е свързана към основното устройство, ще се покаже информацията за устройството.
2. Натиснете бутона FOLDER (B15, B19), за да изберете желаната папка за възпроизвеждане. За да започнете възпроизвеждане с включен режим на папка, преминете към стъпка.
3. Изберете желания файл за възпроизвеждане, като натиснете бутона Track Down, Track up (A10, A11, B8, B18).
4. Натиснете PLAY / PAUSE (A9, B22). Възпроизвеждането ще започне и името на файла ще се покаже.

ЗАБЕЛЕЖКА:

- Този продукт не е съвместим с MTP и AAC файлови системи от USB устройство за съхранение или MP3 плейър.
- Това устройство поддържа FAT16 и FAT32, но някои USB носители за съхранение може да не поддържат и двете файлови системи. За подробности вижте ръководството за експлоатация на въпросното USB устройство за съхранение или се свържете с производителя.

СКИП И РЕЖИМ НА ТЪРСЕНЕ

1. По време на режим Възпроизвеждане или Пауза докоснете бутона Track Down, Track up (A10, A11, B8, B18), за да преминете към следващата песен или да се върнете към началото на текущата песен.
2. По време на възпроизвеждане натиснете и задръжте Track Down, Track up (A10, A11, B8, B18), за да търсите в текущата песен със звуково високоскоростно възпроизвеждане.

РАЗЛИЧНИ РЕЖИМИ НА ИГРА (САМО ДИСТАНЦИОНЕН КОНТРОЛ)

Натиснете неколккратно бутона REPEAT (B6) на дистанционното управление, за да изберете различни режими на възпроизвеждане, когато CD се възпроизвежда.

Когато възпроизвеждате CD, режимите на възпроизвеждане са показани по-долу:

- Повторете
- Повторете всички
- Нормално

REPEAT 1 - възпроизвежданата песен и ще се повтаря непрекъснато. Повторете една икона „REPEAT 1“ се показва на дисплея.
REPEAT ALL - всички записи ще се повтарят непрекъснато. Повторете всичко иконата “REPEAT ALL” се показва на дисплея.

СЛУЧАЙНА ИГРА

Когато бутонът RANDOM (B20) бъде натиснат три, индикаторът „RDM“ ще светне на LCD дисплея. Записите на диска могат да се възпроизведат автоматично в произволен ред.

За да отмените произволно възпроизвеждане:

Натиснете отново бутона RANDOM (B20). Индикаторът “RDM” ще изчезне.

ЗАБЕЛЕЖКА:

Ако натиснете бутона по време на произволно възпроизвеждане, можете да се придвижите до следващата песен, избрана от произволната операция. От друга страна, бутонът не ви позволява да преминете към предишната песен. Ще бъде разположено началото на възпроизвежданата песен.

При произволно възпроизвеждане устройството автоматично избира и възпроизвежда песни. (Не можете да изберете реда на песните.)

ВЪВЕДЕНИЕ ВЪЗПРОИЗВЕЖДАНЕ

1. Натиснете INTRO (B20) на дистанционното управление. Индикаторът “INTRO (B20)” ще се покаже на дисплея.

Устройството ще възпроизведе първите 10 секунди от всяка песен.

2. Натиснете отново INTRO (B20) на дистанционното управление, за да възобновите нормалното възпроизвеждане.

ИГРАЙТЕ ПРОГРАМИРАНЕ НА ПОСЛЕДОВАТА ПОСТОЯННОСТ

Тази функция позволява възпроизвеждането на песните в програмирана последователност. Потребителят може да програмира до 32 песни в режим CD или 99 песни в MP3 във всеки

ЗАБЕЛЕЖКА: Програмата може да бъде настроена само в режим СТОП.

1. Докоснете PROG. Бутон (B3) на дистанционното управление, номерът на програмата „1“ се показва на дисплея, иконата „PROG“ и номерът на CD записа „-“ също мигат на LCD дисплея. (Забележка: “1-” ще се появи на дисплея, ако програмирате за първи път).
2. Използвайте Track Down, Track up (A10, A11, B8, B18) на основното устройство или дистанционното управление, за да изберете желаната песен. Номерът на записа ще се покаже на дисплея.
3. Докоснете PROG. Бутон (B3) на основното устройство или дистанционното управление, за да съхраните избраната песен в паметта, следващият номер на програмата ще изведе един (т.е. “2”) на LCD дисплей.

- Повторете стъпки 2 до 3, за да съхраните още записи в паметта. Можете да съхранявате до CD 32 песни, MP3 99 песни. Дисплеят ще покаже "FUL" след програмиране на записи.
- Докоснете PLAY / PAUSE (A9, B22), на основното устройство или дистанционното управление, за да започне възпроизвеждането на компактдиска в програмираната последователност.
- Натиснете бутона REPEAT (B6) на дистанционното управление, за да изберете Repeat 1 / All, ако е необходимо.
- За да спрете възпроизвеждането, натиснете бутона STOP (A8, B25) на основното устройство или дистанционното управление. За да отмените програмата, натиснете бутона STOP (A8, B25) на основното устройство или дистанционното управление два пъти, иконата "PROG" изчезва от дисплея.

BLUETOOTH ОПЕРАЦИЯ

Натиснете бутона POWER / STANDBY (A1, B1), за да включите устройството и следвайте указанията по-долу, за да се свържете чрез Bluetooth.

Сдвояване (свързване) на активиран с BLUETOOTH мобилен телефон ИЛИ ДРУГО УСТРОЙСТВО, АКТИВИРАНО С BLUETOOTH към устройството

Ако CR 1173 никога преди не е бил сдвоен с Bluetooth устройство. Трябва да следвате инструкциите за сдвояване по-долу, за да свържете Устройството с вашето Bluetooth устройство.

- Натиснете бутона POWER / STANDBY (A1, B1) на основното устройство или дистанционното управление, за да включите устройството.
 - Докоснете бутона SOURCE (A1, B11) на главното или дистанционното управление, за да изберете Bluetooth режим, на дисплея се появява и мига съобщението "bt" на Bluetooth.
 - Ако CR 1173 никога не е бил сдвоен с Bluetooth устройство преди или не може да намери последното сдвоено устройство, мигащото "bt" на LCD ще покаже, че XXX е в режим на търсене. Трябва да следвате инструкциите за сдвояване по-долу, за да свържете Устройството с вашето Bluetooth устройство.
 - Включете функцията Bluetooth на вашето Bluetooth устройство и активирайте функцията за търсене или сканиране, за да намерите CR 1173.
 - Изберете „CR 1173“ от списъка с устройства, когато се появи на екрана на вашето устройство. Ако е необходимо, въведете пропусъкния код „0000“, за да сдвоите (свържете) CR 1173 с вашето устройство.
 - След успешно сдвояване (свързване), дисплеят ще се промени, за да показва постоянно "bt", иконата Bluetooth също ще се покаже на дисплея. Можете да започнете да възпроизвеждате музика от вашето Bluetooth устройство безжично към високоговорителя.
 - След като изберете любимата си песен, натиснете бутона PLAY PAUSE (B22, A9) на устройството или дистанционното управление, за да пуснете или поставите на пауза песента.
 - Натиснете контрола на силата на звука на основното устройство или дистанционното управление, за да настроите желаното ниво на звука.
 - Натиснете бутона Track Down, Track up (B8, B9) на основното устройство или дистанционното управление, за да преминете към предишна или следваща песен.
 - Ако искате да сдвоите Устройството с друго устройство, поддържащо Bluetooth, натиснете и задръжте бутона PAIR (B10) за 3 секунди или изключете функцията Bluetooth на устройство, което в момента е сдвоено с Device, след това повторете стъпка 3 по-горе.
- Бележки:
- Обърнете се към ръководството на вашия мобилен телефон, таблетен компютър, компютър или други Bluetooth устройства за работа с Bluetooth, тъй като това може да варира в зависимост от модел.
 - Ако вашето устройство с Bluetooth не поддържа профил A2DP, то няма да възпроизведе музиката през високоговорителя, дори ако е сдвоено (свързано).
 - Ако сдвоявате (свързвате) компютъра си с устройството чрез Bluetooth, може да се наложи да настроите високоговорителя като звуково устройство по подразбиране на компютъра.

СПОСОБНА ВХОДНА ОПЕРАЦИЯ

Това устройство разполага с допълнителен жак за входен аудио сигнал за свързване на външни аудио устройства като MP3 плейъри, цифрово аудио устройство и да ги слушате през високоговорителите на това устройство.

- Използвайте аудио кабел (не е включен в комплекта) с един 3,5 мм стерео щепсел на всеки край на кабела.
- Включете единия край в AUX IN JACK (A5) на основното устройство, а другия край на кабела в линейния изход или жака за слушалки на вашето външно аудио устройство.
- Включете устройството и външното аудио устройство.
- Докоснете бутона SOURCE (A1, B11) на главното или дистанционното управление, за да изберете AUX режим, иконата "AUX" се включва, дисплеят показва съобщение "AUX".
- Нивото на силата на звука вече може да се контролира чрез основното устройство. Работете с всички останали функции на спомагателното устройство, както обикновено.

Забележка:

Ако свържете това устройство към гнездото Line-Out на вашето външно устройство, трябва само да регулирате силата на звука на това устройство. Ако свържете жака за слушалки на вашето външно устройство, може да се наложи да регулирате както

контролите за сила на звука на вашето външно устройство, така и това устройство, за да получите желаната настройка на силата на звука.

PRESET EQ (САМО ДИСТАНЦИОНЕН КОНТРОЛ)

Това устройство осигурява 4 различни режима на еквалайзер, за да подобри вашето изживяване при слушане. Можете да изберете желания ефект чрез многократно натискане на бутона EQ (B5) на дистанционното управление в следната последователност:

ROCK POP JAZZ CLASSIC OFF

БУТОН ЗА ГЛУКАНЕ (САМО ДИСТАНЦИОНЕН КОНТРОЛ)

· Натиснете бутона MUTE (B21) на дистанционното управление, за да заглушите временно звука от високоговорителя. На дисплея ще се появи "V 00".

· Натиснете отново бутона MUTE (B21) или VOLUME CONTROL (B23, A12), за да възобновите нормалното възпроизвеждане на високоговорителите.

СПАЛНИ ОПЕРАЦИИ (САМО ДИСТАНЦИОНЕН КОНТРОЛ)

Таймерът за заспиване ви позволява да изключите устройството след достигане на определено време.

1. За да активирате таймера за заспиване, включете устройството и докоснете бутона SOURCE (A1, B11), за да изберете FM радио, CD, USB, Bluetooth или слушане на музика чрез AUX IN.

2. Докоснете бутона SLEEP (B14) на дистанционното управление, иконата за времето за заспиване "SLEEP" се появява на дисплея.

3. Многократно докоснете бутона SLEEP (B14), за да изберете време за заспиване. Устройството ще се изключи след 10, 20, 30, 40, 50, 60, 70, 80 или 90 минути. Изчакайте 3 секунди след вашия избор, за да потвърдите избора, устройството ще се възпроизведе за избрания период от време, след което автоматично ще се изключи.

4. За да отмените таймера за заспиване, докоснете бутона SLEEP (B14) неколккратно, докато таймерът покаже „OFF“, иконата за времето за заспиване „SLEEP“ изчезне на дисплея

5. За да изключите устройството преди избрания период от време, натиснете бутона POWER / STANDBY (A1, B1) по всяко време.

Бележки:

1.) За да проверите оставащото време за заспиване, докоснете веднъж бутона SLEEP (B14).

2.) Ако заспите с музика от външно устройство, свързано към AUX входа, таймерът за заспиване ще изключи захранването на тази система, но няма да изключи външното устройство.

ИЗПОЛЗВАНЕ НА СЛУШАЛКИ (НЕ ВКЛЮЧЕНИ)

Поставянето на щепсела на вашите слушалки в стерео жака за слушалки (A17) ще ви позволи да слушате CD или радио музика насаме. Когато използвате слушалки, вградените високоговорители ще бъдат изключени.

ПРОЧЕТЕТЕ ТАЗИ ВАЖНА ИНФОРМАЦИЯ ПРЕДИ ИЗПОЛЗВАНЕ НА СВОИТЕ СЛУШАЛКИ

1. Избягвайте продължително възпроизвеждане при много силен звук, тъй като това може да увреди слуха ви.

2. Ако усетите звънене в ушите, намалете силата на звука или изключете устройството.

3. Поддържайте силата на звука на разумно ниво, дори ако слушалките ви са от открит тип, създадени да ви позволят да чувате външни звуци. Моля, обърнете внимание, че прекалено високият звук може да блокира външните звуци.

ВРЪЩАНЕ

Ако системата не реагира или има нестабилна работа, може да сте имали електростатичен разряд (ESD) или пренапрежение, което е предизвикало автоматичното изключване на вътрешния компютър. Ако това се случи, изключете променливотоковия кабел от източника на захранване, изчакайте 60 секунди, след това включете отново променливотоковия кабел към източника на захранване. Устройството ще бъде нулирано, трябва да настроите часовника, алармата и предварително зададените радио канали.

ГРИЖИ И ПОДДРЪЖКА

1. Не излагайте устройството на прекомерна сила, удар, прах или екстремни температури (над 40 ° C).

2. Не подправяйте вътрешните компоненти на устройството.

3. Почистете устройството със суха кърпа. Никога не трябва да се използва разтворител или препарат.

4. Избягвайте да оставяте устройството на пряка слънчева светлина или на горещи, влажни или прашни места.

5. Пазете устройството си далеч от отоплителни уреди и източници на електрически шум като флуоресцентни лампи или двигатели.

6. Ако в музиката по време на възпроизвеждане на CD се появят отпадания или прекъсвания или ако CD изобщо не успее да се възпроизведе, долната му повърхност може да изисква почистване. Преди възпроизвеждане избършете диска от центъра навън с добра мека кърпа за почистване.

ПОЧИСТВАНЕ НА УСТРОЙСТВОТО

- За да предотвратите опасност от пожар или удар, изключете устройството от източника на променлив ток, когато почиствате.
- Покритието на уреда може да се почиства с прахообразна кърпа и да се грижи за него като останалите мебели. Внимавайте при почистване и избърсване на пластмасовите части.
- Ако шкафът стане пращен, избършете го с мека суха кърпа от прах. Не използвайте восък или лак спрейове върху шкафа.
- Ако предният панел се замърси или размаже с пръстови отпечатащи, той може да се почисти с мека кърпа, леко навлажнена с мек сапунен и воден разтвор. Никога не използвайте абразивни кърпи или лакове, тъй като те могат да повредят покритието на вашето устройство.

ВНИМАНИЕ: Никога не позволявайте на вода или други течности да влизат вътре в уреда, докато почиствате

Технически данни:

Изисквания към захранването:

Основно устройство: 230V ~ 50Hz

Дистанционно: CR2025 3V

Раздел DISC плейър

Система: Компакт диск и цифрова аудио система Laser Diode Properties

Продължителност на излъчването: Непрекъснато

Лазерен изход: По-малко от 44,6mW (Този изход е измерването на стойността на разстояние 200 мм от повърхността на обектива на обектива на оптичния пикап със 7 мм отвор.)

Честотен обхват

Секция за FM тунер:

Обхват на настройка: 87,5 MHz-108,0 MHz (стъпка 50 kHz.)

Мощност на високоговорителите: 2x 5W

Макс: 28W

PL: Adler Sp. z o.o., Orдона 2а, 01-237 Warszawa, Polska niniejszym oświadcza, że CR 1173 jest zgodny z dyrektywą 2014/53/UE. Pełny tekst deklaracji zgodności UE jest dostępny pod następującym adresem internetowym: <https://www.adler.com.pl/dane/deklaracje/CE/>

EN: Hereby, Adler Sp. z o.o., Orдона 2а, 01-237 Warsaw, Poland declares that the radio equipment type CR 1173 is in compliance with Directive 2014/53/EU. The full text of the EU declaration of conformity is available at the following internet address: <https://www.adler.com.pl/dane/deklaracje/CE/>

DE: Hiermit wird Adler Sp. z o.o., Orдона 2а, 01-237 Warschau, Polen erklärt, dass der Funkanlagentyp CR 1173 der Richtlinie 2014/53/EU entspricht. Der vollständige Text der EU-Konformitätserklärung ist unter folgender Internetadresse verfügbar: <https://www.adler.com.pl/dane/deklaracje/CE/>

FR: Par la présente, Adler Sp. z o.o., Orдона 2а, 01-237 Varsovie, Pologne déclare que l'équipement radio de type CR 1173 est conforme à la directive 2014/53/UE. Le texte intégral de la déclaration UE de conformité est disponible à l'adresse Internet suivante : <https://www.adler.com.pl/dane/deklaracje/CE/>

ES: Por la presente, Adler Sp. z o.o., Orдона 2а, 01-237 Varsovia, Polonia declara que el tipo de equipo radioeléctrico CR 1173 cumple con la Directiva 2014/53 / UE. El texto completo de la declaración de conformidad de la UE está disponible en la siguiente dirección de Internet: <https://www.adler.com.pl/dane/deklaracje/CE/>

PT: Por meio deste, Adler Sp. z o.o., Orдона 2а, 01-237 Varsóvia, Polónia declara que o tipo de equipamento de rádio CR 1173 está em conformidade com a Diretiva 2014/53 / UE. O texto completo da declaração de conformidade da UE está disponível no seguinte endereço da Internet: <https://www.adler.com.pl/dane/deklaracje/CE/>

LT: Šiuo dokumentu Adler Sp. z o.o., Orдона 2а, 01-237 Varšuva, Lenkija pareiškia, kad CR 1173 tipo radijo įranga atitinka Direktyvą 2014/53 / ES. Visą ES atitikties deklaracijos tekstą galima rasti šiuo interneto adresu: <https://www.adler.com.pl/dane/deklaracje/CE/>

LV: Ar šo Adler Sp. z o.o., Orдона 2а, 01-237 Varšava, Polija paziņo, ka CR 1173 tipa radioiekārta atbilst Direktīvai 2014/53 / ES. Pilns ES atbilstības deklarācijas teksts ir pieejams šādā interneta adresē: <https://www.adler.com.pl/dane/deklaracje/CE/>

EST: Käesoleva on Adler Sp. z o.o., Orдона 2а, 01-237 Varssavi, Poola deklareerib, et raadioseadmetüüp CR 1173 vastab direktiivile 2014/53 / EL. ELi vastavusdeklaratsiooni täistekst on saadaval järgmisel interneti-aadressil: <https://www.adler.com.pl/dane/deklaracje/CE/>

RU: Prin prezenta, Adler Sp. z o.o., Orдона 2а, 01-237 Varšovia, Polonia declară că echipamentul radio de tip CR 1173 este în conformitate cu Directiva 2014/53 / UE. Textul integral al declarației de conformitate UE este disponibil la următoarea adresă de internet: <https://www.adler.com.pl/dane/deklaracje/CE/>

HU: Az Adler Sp. z o.o., Orдона 2а, 01-237 Varsó, Lengyelország kijelenti, hogy a CR 1173 típusú rádióberendezés megfelel a 2014/53 / EU irányelvnek. Az EU-megfelelőségi nyilatkozat teljes szövege a következő internetes címen érhető el: <https://www.adler.com.pl/dane/deklaracje/CE/>

FIN: Täten Adler Sp. z o.o., Orдона 2а, 01-237 Varsova, Puola vakuuttaa, että radiolaitetyypin CR 1173:n direktiivin 2014/53 / EU mukainen EU-vaatimustenmukaisuusvakuutusken koko teksti on saatavana seuraavasta internet-osoitteesta: <https://www.adler.com.pl/dane/deklaracje/CE/>

CZ: Adler Sp. z o.o., Orдона 2а, 01-237 Varšava, Polsko prohlašuje, že rádiové zařízení typu CR 1173 vyhovuje směrnici 2014/53 / EU. Plné znění EU prohlášení o shodě je k dispozici na následující internetové adrese: <https://www.adler.com.pl/dane/deklaracje/CE/>

МК: Со ова, Адлер Сп. з о.о., Ордона 2а, 01-237 Варшава, Полска изјавува дека радио-опремата од типот CR 1173 е во согласност со Директивата 2014/53 / EU. Целосниот текст на декларацијата за сообразност на ЕУ е достапен на следната интернет-адреса: <https://www.adler.com.pl/dane/deklaracje/CE/>

GR: Δια του παρόντος, Adler Sp. z o.o., Orдона 2а, 01-237 Βαρσοβία, Πολωνία δηλώνει ότι ο τύπος ραδιοεξοπλισμού CR 1173 συμμορφώνεται με την οδηγία 2014/53 / EE. Το πλήρες κείμενο της δήλωσης συμμόρφωσης EE διατίθεται στην ακόλουθη διεύθυνση Διαδικτύου: <https://www.adler.com.pl/dane/deklaracje/CE/>

SLO: Adler Sp. z o.o., Orдона 2а, 01-237 Varšava, Poljska izjavlja, da je vrsta radijske opreme Radio CR 1173 v skladu z Direktivo 2014/53 / EU. Celotno besedilo izjave EU o skladnosti je na voljo na naslednjem internetnem naslovu: <https://www.adler.com.pl/dane/deklaracje/CE/>

NL: Hierbij Adler Sp. z o.o., Orдона 2а, 01-237 Warschau, Polen verklaart dat het type radioapparatuur Radio CR 1173 in overeenstemming is met Richtlijn 2014/53/EU. De volledige tekst van de EU-conformiteitsverklaring is beschikbaar op het volgende internetadres: <https://www.adler.com.pl/dane/deklaracje/CE/>

RUS: Настоящим Adler Sp. z o.o., Orдона 2а, 01-237 Варшава, Польша заявляет, что радиооборудование типа Radio CR 1173 соответствует Директиве 2014/53 / EU. Полный текст декларации соответствия ЕС доступен по следующему адресу в Интернете: <https://www.adler.com.pl/dane/deklaracje/CE/>

HR: Ovim putem Adler Sp. z o.o., Orдона 2а, 01-237 Varšava, Poljska izjavljuje da je vrsta radio opreme CR 1173 u skladu s Direktivom 2014/53 / EU. Cjeloviti tekst EU izjave o skladnosti dostupan je na sljedećoj internetskoj adresi: <https://www.adler.com.pl/dane/deklaracje/CE/>

SV: Härmed Adler Sp. z o.o., Orдона 2а, 01-237 Warszawa, Polen förklarar att radioutrustningstypen CR 1173 överensstämmer med direktiv 2014/53 / EU. Den fullständiga texten till EU-försäkran om överensstämmelse finns på följande internetadress: <https://www.adler.com.pl/dane/deklaracje/CE/>

SK: Týmto spoločnosť Adler Sp. z o.o., Orдона 2а, 01-237 Varšava, Poľsko vyhlasuje, že rádiové zariadenie typu CR 1173 je v súlade so smernicou 2014/53 / EÚ. Plné znenie EÚ vyhlásenia o zhode je k dispozícii na tejto internetovej adrese: <https://www.adler.com.pl/dane/deklaracje/CE/>

IT: Con la presente, Adler Sp. z o.o., Orдона 2а, 01-237 Varsavia, Polonia dichiara che il tipo di apparecchiatura radio CR 1173 è conforme alla Direttiva 2014/53/UE. Il testo completo della dichiarazione di conformità UE è disponibile al seguente indirizzo Internet: <https://www.adler.com.pl/dane/deklaracje/CE/>

SR: Ovim putem, Adler Sp. z o.o., Orдона 2а, 01-237 Varšava, Poljska izjavljuje da je vrsta radio opreme CR 1173 u skladu sa Direktivom 2014/53 / EU. Pun tekst EU izjave o usaglasnosti dostupan je na sledećoj internet adresi: <https://www.adler.com.pl/dane/deklaracje/CE/>

DK: Hermed adler sp. z o.o., Orдона 2а, 01-237 Warszawa, Polen erklærer, at radioudstyrstypen CR 1173 er i overensstemmelse med direktiv 2014/53 / EU. Den fulde tekst til EU-erklæringen om overensstemmelse findes på følgende internetadresse: <https://www.adler.com.pl/dane/deklaracje/CE/>

UA: Цим, Adler Sp. z o.o., Orдона 2а, 01-237, Варшава, Польща, заявляє, що радіобладнання типу CR 1173 відповідає Директиві 2014/53 / ЄС. Повний текст декларації відповідності ЄС доступний за такою Інтернет-адресою: <https://www.adler.com.pl/dane/deklaracje/CE/>

BL: С настоящото Adler Sp. z o.o., Orдона 2а, 01-237 Варшава, Полша декларира, че радиооборудването тип Radio CR 1173 е в съответствие с Директива 2014/53 / ЕС. Пълният текст на ЕС декларацията за съответствие е достъпен на следния интернет адрес: <https://www.adler.com.pl/dane/deklaracje/CE/>

1: AK18WG-0900200V 2: 230 V 3: 50 Hz

4: $\approx 9,0$ V 5: 2,0 A 6: 18,0 W

7: 86,2 % 8: 83,5 % 9: 0,06 W

GB

- 1: Model identifier
- 2: Input voltage
- 3: Input AC frequency
- 4: Output voltage
- 5: Output current
- 6: Output power
- 7: Average active efficiency
- 8: Efficiency at low load (10 %)
- 9: No-load power consumption

DE

- 1: Modellkennung
- 2: Eingangsspannung
- 3: Eingangswchselfrequenz
- 4: Ausgangsspannung
- 5: Ausgangsstrom
- 6: Ausgangsleistung
- 7: Durchschnittliche aktive Effizienz
- 8: Wirkungsgrad bei geringer Last (10%)
- 9: Leerlaufstromverbrauch

FR

- 1: Identifiant du modèle
- 2: Tension d'entrée
- 3: Fréquence CA d'entrée
- 4: Tension de sortie
- 5: courant de sortie
- 6: puissance de sortie
- 7: Rendement actif moyen
- 8: efficacité à faible charge (10%)
- 9: consommation d'énergie à

ES

- 1: identificador de modelo
- 2: voltaje de entrada
- 3: frecuencia de entrada de CA
- 4: voltaje de salida
- 5: corriente de salida
- 6: potencia de salida
- 7: eficiencia activa media
- 8: Eficiencia a baja carga (10%)
- 9: consumo de energía sin carga

PT

- 1: identificador de modelo
- 2: Tensão de entrada
- 3: Frequência CA de entrada
- 4: Tensão de saída
- 5: Corrente de saída
- 6: Potência de saída
- 7: eficiência ativa média
- 8: Eficiência em carga baixa (10%)
- 9: Consumo de energia sem

LT

- 1: modelio identifikatorius
- 2: įvesties įtampa
- 3: įvesties kintamasis dažnis
- 4: Išėjimo įtampa
- 5: Išėjimo srovė
- 6: Išėjimo galia
- 7: Vidutinis aktyvusis efektyvumas
- 8: efektyvumas esant mažai apkrovai (10%)
- 9: energijos suvartojimas be apkrovos

LV

- 1: modeļa identifikators
- 2: ieejas spriegums
- 3: ieejas maiņstrāvas frekvence
- 4: izejas spriegums
- 5: izejas strāva
- 6: izejas jauda
- 7: vidējā aktīvā efektivitāte
- 8: efektivitāte zemā slodzē (10%)
- 9: enerģijas patēriņš bez slodzes

EST

- 1: mudeli identifikaator
- 2: sisendpinge
- 3: sisend vahelduvvoolu sagedus
- 4: väljundpinge
- 5: väljundvool
- 6: väljundvõimsus
- 7: Keskmine aktiivne efektiivsus
- 8: kasutegur madala koormuse korral (10%)
- 9: koormuseta energiatarve

RO

- 1: identificator model
- 2: Tensiune de intrare
- 3: Frecvență de intrare AC
- 4: Tensiune de ieșire
- 5: Curent de ieșire
- 6: Putere de ieșire
- 7: eficiență activă medie
- 8: Eficiență la sarcină mică (10%)
- 9: consum de energie fără

BI

- 1: Identifikator modela
- 2: Ulazni napon
- 3: Ulazna izmjenična frekvencija
- 4: Izlazni napon
- 5: Izlazna struja
- 6: Izlazna snaga
- 7: Prosečna aktivna efikasnost
- 8: Efikasnost pri malom opterećenju (10%)
- 9: Potrošnja električne energije

HR

1. ábra: Modell azonosító
- 2: Bemeneti feszültség
- 3: bemeneti AC frekvencia
- 4: Kimeneti feszültség
- 5: Kimeneti áram
- 6: Kimeneti teljesítmény
- 7: Átlagos aktív hatékonyság
- 8: hatékonyság alacsony terhelésnél (10%)
- 9: terhelés nélküli

GR

- 1: Αναγνωριστικό μοντέλου
- 2: Τάση εισόδου
- 3: Συχνότητα εισόδου AC
- 4: Τάση εξόδου
- 5: Ρεύμα εξόδου
- 6: Ισχύς εξόδου
- 7: Μέση ενεργός απόδοση
- 8: Απόδοση σε χαμηλό φορτίο (10%)
- 9: Κατανάλωση ισχύος χωρίς

BG

- 1: Идентификатор на модела
- 2: Входно напрежение
- 3: Входна AC честота
- 4: Изходно напрежение
- 5: Изходен ток
- 6: Изходна мощност
- 7: Средна активна ефективност
- 8: Ефективност при ниско натоварване (10%)
- 9: Консумация на енергия без товар

MK

- 1: Идентификатор на моделот
- 2: напон на влез
- 3: Влезна фреквенција на влез AC
- 4: Излезен напон
- 5: Излезна струја
- 6: Излезна моќност
- 7: Просечна активна ефикасност
- 8: Ефикасност при слаб товар (10%)
- 9: Потрошувачка на енергија без оптоварување

NL

- 1: Modelidentificatie
- 2: ingangsspanning
- 3: Input AC-frequentie
- 4: Uitgangsspanning
- 5: uitgangsstroom
- 6: uitgangsvermogen
- 7: Gemiddelde actieve efficiëntie
- 8: Rendement bij lage belasting (10%)
- 9: Onbelast stroomverbruik

FIN

- 1: mallitunniste
- 2: Tulojännite
- 3: Tulon vaihtotaajuus
- 4: Lähtöjännite
- 5: Lähtövirta
- 6: Lähtöteho
- 7: Keskimääräinen aktiivinen hyötysuhde
- 8: Tehokkuus pienellä kuormituksella (10%)
- 9: Virrankulutus ilman kuormaa

IT

- 1: identificatore del modello
- 2: tensione di ingresso
- 3: input frequenza AC
- 4: tensione di uscita
- 5: corrente di uscita
- 6: potenza di uscita
- 7: efficienza attiva media
- 8: efficienza a basso carico (10%)
- 9: Consumo energetico a vuoto

UA

- 1: Идентификатор модели
- 2: Вхідна напруга
- 3: Вхідна змінна частота
- 4: Вихідна напруга
- 5: Вихідний струм
- 6: Вихідна потужність
- 7: Середня активна ефективність
- 8: ККД при малому навантаженні (10%)
- 9: Споживання енергії без навантаження

CZ

- 1: Identifikátor modelu
- 2: Vstupní napětí
- 3: Vstupní střídavá frekvence
- 4: Výstupní napětí
- 5: Výstupní proud
- 6: Výstupní výkon
- 7: Průměrná aktivní účinnost
- 8: Účinnost při nízkém zatížení (10%)
- 9: Spotřeba energie bez zatížení

SLO

- 1: Identifikator modela
- 2: Vhodna napetost
- 3: Vhodna frekvencia izmenične napetosti
- 4: Izhodna napetost
- 5: izhodni tok
- 6: Izhodna moč
- 7: Povprečna aktivna učinkovitost
- 8: Učinkovitost pri nizki obremenitvi (10%)
- 9: Poraba energije brez obremenitve

SV

- 1: Modellidentifierare
- 2: Ingångsspänning
- 3: Ingång AC-frekvens
- 4: Utgångsspänning
- 5: Utgångsström
- 6: Utgångseffekt
- 7: Genomsnittlig aktiv effektivitet
- 8: Effektivitet vid låg belastning (10%)
- 9: Strömförbrukning utan belastning

SR

- 1: Идентификатор модела
- 2: Улазни напон
- 3: Улазна АЦ фреквенција
- 4: Излазни напон
- 5: Излазна струја
- 6: Излазна снага
- 7: Просечна активна ефикасност
- 8: Ефикасност при малом оптерећењу (10%)
- 9: Потрошња електричне

RUS

- 1: идентификатор модели
- 2: входное напряжение
- 3: частота переменного тока на входе
- 4: Выходное напряжение
- 5: выходной ток
- 6: Выходная мощность
- 7: средняя активная эффективность
- 8: КПД при низкой нагрузке (10%)
- 9: Потребляемая мощность без нагрузки

HR

- 1: Identifikator modela
- 2: Ulazni napon
- 3: Ulazna izmjenična frekvencija
- 4: Izlazni napon
- 5: Izlazna struja
- 6: Izlazna snaga
- 7: Prosječna aktivna učinkovitost
- 8: Učinkovitost pri malom opterećenju (10%)
- 9: Potrošnja energije bez opterećenja

SK

- 1: Identifikátor modelu
- 2: Vstupné napätie
- 3: Vstupná frekvencia striedavého prúdu
- 4: Výstupné napätie
- 5: Výstupný prúd
- 6: Výstupný výkon
- 7: Priemerná aktívna účinnosť
- 8: Účinnosť pri nízkom zaťažení (10%)
- 9: Spotreba energie bez zaťaženia

DK

- 1: Modelidentifikator
- 2: Indgangsspænding
- 3: Indgang AC-frekvens
- 4: Udgangsspænding
- 5: Udgangsstrøm
- 6: Output power
- 7: Gennemsnitlig aktiv effektivitet
- 8: Effektivitet ved lav belastning (10%)
- 9: Strømforbrug uden belastning

PL

- 1: identyfikator modelu
- 2: napięcie wejściowe
- 3: Wejściowa częstotliwość prądu przemiennego
- 4: Napięcie wyjściowe
- 5: prąd wyjściowy
- 6: Moc wyjściowa
- 7: Średnia wydajność czynna
- 8: Wydajność przy niskim obciążeniu (10%)
- 9: Pobór mocy bez obciążenia

AR

- 1: معرف الطراز
- 2: جهد الإدخال
- 3: مدخلات تردد التيار المتردد
- 4: انتاج التيار الكهربائي
- 5: تيار الإخراج
- 6: انتاج الطاقة
- 7: متوسط الكفاءة النشطة
- 8: الكفاءة عند التحميل المنخفض (10%)
- 9: استهلاك الطاقة بدون حمل