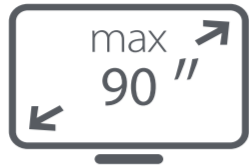
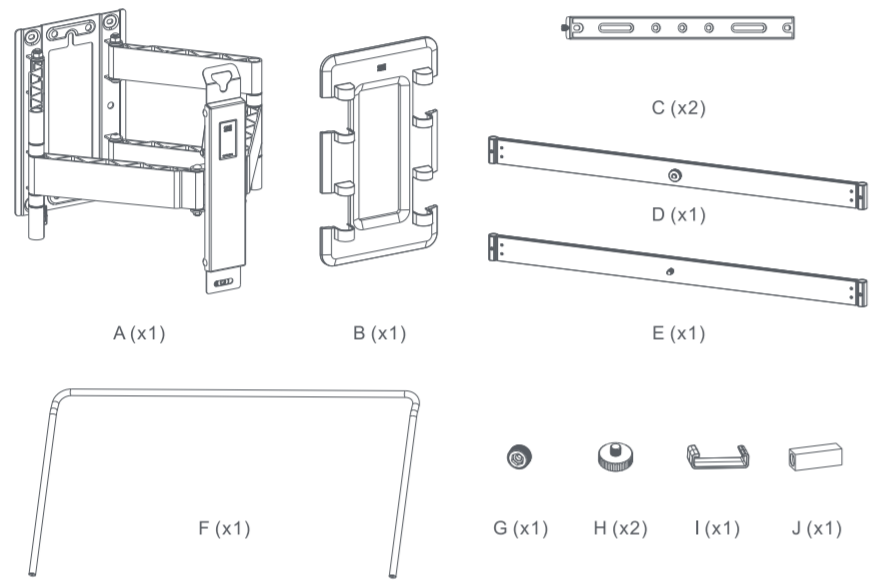


ONE
FOR ALL



Universal
600x400 max



Package M

- | | | |
|------------------------------|----------------------------|------------------------|
| 4 x M5x14mm
M-A | 4 x M6x14mm
M-B | 4 x M6x30mm
M-C |
| 4 x M8x30mm
M-D | 4 x M8x50mm
M-E | 4 x D5mm
M-F |
| 4 x D8mm
M-G | 8 x Ø15xØ8x5mm
M-H | 8 x Ø15xØ8x15mm
M-I |
| 1 x -0.5° degree tilt
M-J | 1 x -1° degree tilt
M-K | |

Package W

- | | | |
|-----------------------|---------------------|-----------------|
| 5 x ST6.3x55mm
W-A | 5 x Ø10x50mm
W-B | 4 x D6mm
W-C |
|-----------------------|---------------------|-----------------|



Download the One For All Toolbox App **Free**

UK Handy installation tools.
 DE Nützliche Unterstützung für die Montage.
 ES Útiles herramientas para el montaje.
 FR Outils d'installation pratiques.
 IT Comodi strumenti per l'installazione.



WM661
 Universal Electronics BV - Europe & International
 RDN-200/1119
 The Netherlands

START

1

OR

2

WARNING

Please verify that the supporting surface will safely support the combined weight of the equipment and all attached hardware and components

60 mm
Ø10mm

55 mm
Ø4.5mm

W-A

3

OR

W-B
W-A

W-A
W-C

W-A
W-C

3a

4

OR

M-A
M-B
M-G

M-C
M-E
M-F
M-G

M-H
M-I

6

F

M-J
M-K

5

D

E

7

M-J
M-K

8

±60°

0°

-15°

+1.5° - 1.5°

FINISH