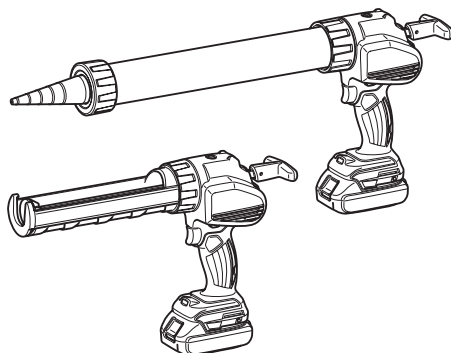


EN	Cordless Caulking Gun	INSTRUCTION MANUAL	5
UK	Акумуляторний шприц для герметика	ІНСТРУКЦІЯ З ЕКСПЛУАТАЦІЇ	11
PL	Bezprzewodowy Pistolet Do Uszczelnień	INSTRUKCJA OBSŁUGI	18
RO	Pistol de ștemuit fără fir	MANUAL DE INSTRUCȚIUNI	25
DE	Akku-Kartuschenpistole	BEDIENUNGSANLEITUNG	31
HU	Vezeték nélküli szigetelőpisztoly	HASZNÁLATI KÉZIKÖNYV	38
SK	Akumulátorová vytlačacia pištoľ	NÁVOD NA OBSLUHU	44
CS	Akumulátorová vytlačovací pistole	NÁVOD K OBSLUZE	50

DCG140 DCG180



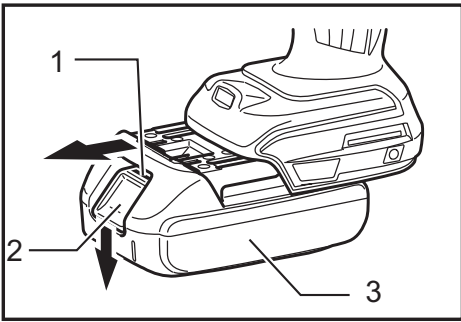


Fig.1

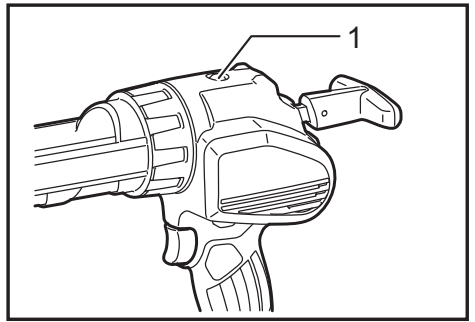


Fig.5

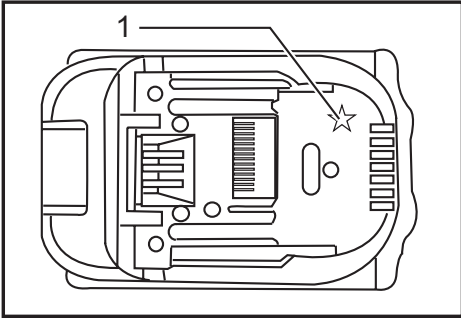


Fig.2

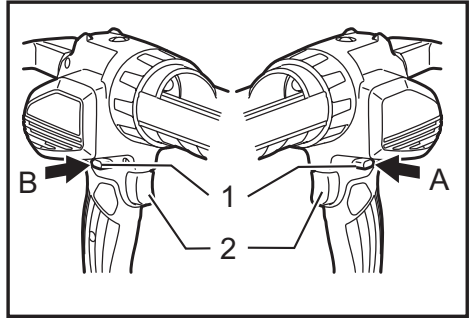


Fig.6

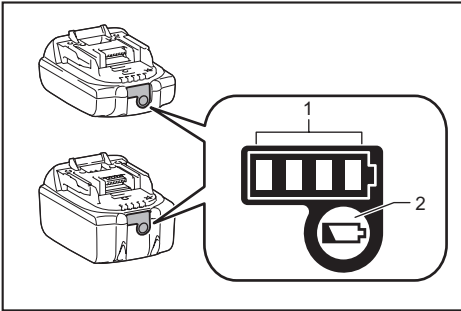


Fig.3

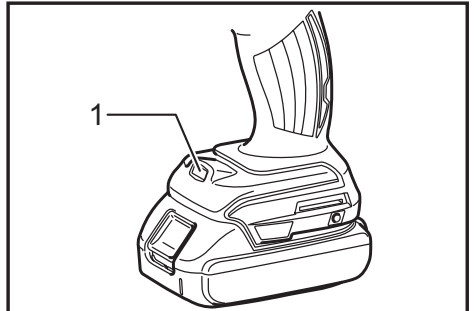


Fig.7

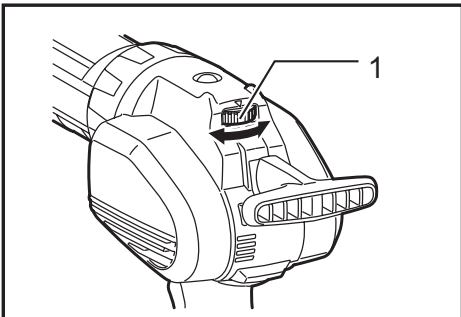


Fig.4

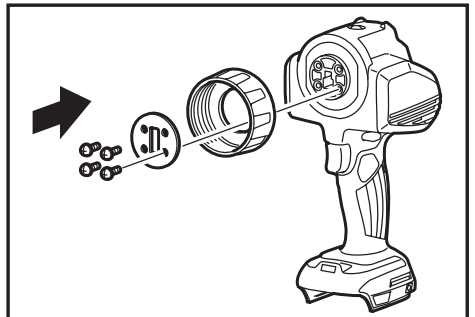


Fig.8

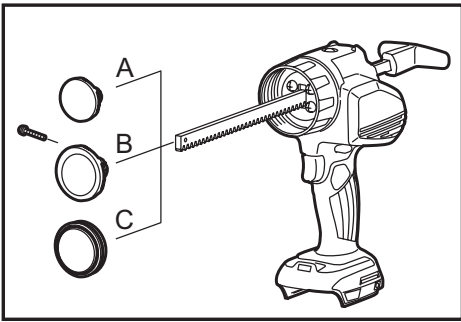


Fig.9

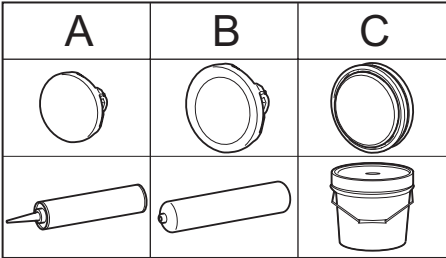


Fig.10

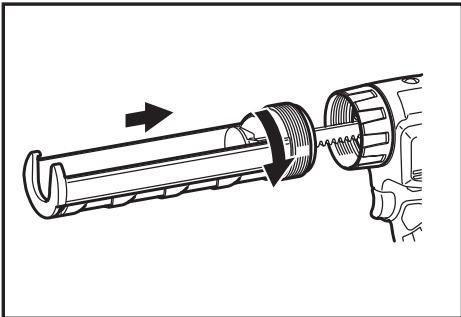


Fig.11

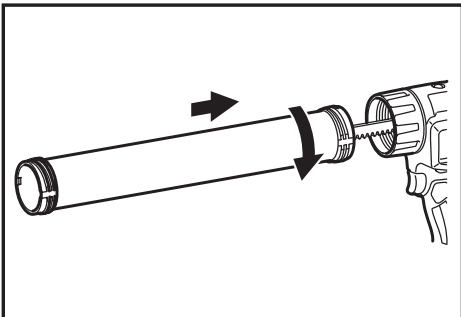


Fig.12

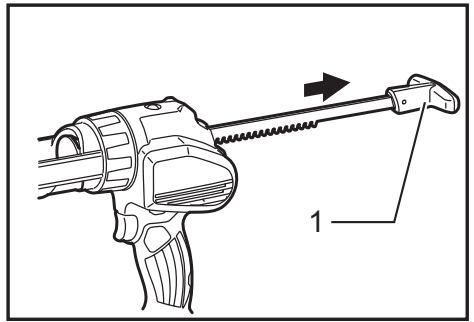


Fig.13

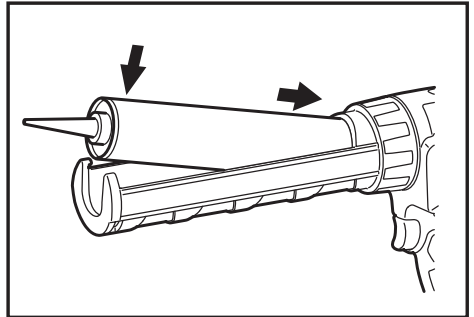


Fig.14

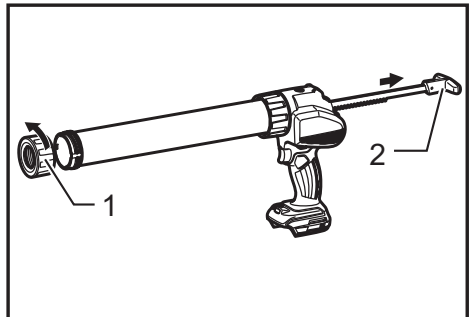


Fig.15

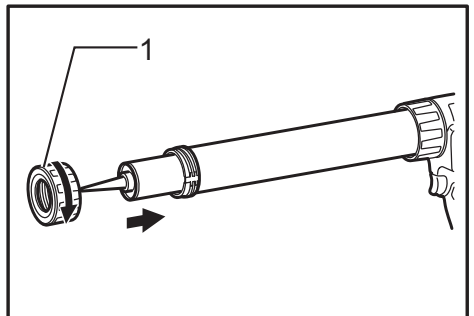


Fig.16

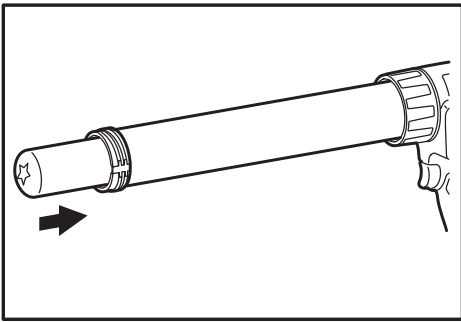


Fig.17

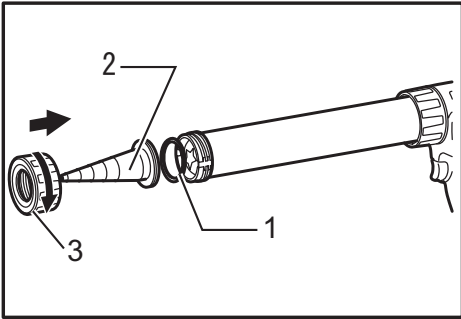


Fig.18

SPECIFICATIONS

Model		DCG140		DCG180	
Max feed force		5,000 N			
Feed speed		0 - 28 mm/s			
Stroke	with short (300 ml) holder	214 mm			
	with long (600 ml) holder	350 mm			
Overall length	with short (300 ml) holder	404 mm			
	with long (600 ml) holder	538 mm			
Standard battery cartridge		BL 1415 / BL 1415N	BL 1430 / BL 1430B / BL 1440 / BL 1450 / BL 1460B	BL 1815 / BL 1815N / BL 1820 / BL 1820B	BL 1830 / BL 1830B / BL 1840 / BL 1840B / BL 1850 / BL 1850B / BL 1860B
Net weight	with short (300 ml) holder	2.0 kg	2.2 kg	2.1 kg	2.3 kg
	with long (600 ml) holder	2.4 kg	2.6 kg	2.5 kg	2.7 kg
Rated voltage		D.C. 14.4 V		D.C. 18 V	

- Due to our continuing program of research and development, the specifications herein are subject to change without notice.
- Specifications and battery cartridge may differ from country to country.
- Weight, with battery cartridge, according to EPTA-Procedure 01/2003

Intended use

This tool is intended for applying caulking material to surface.

Noise

The typical A-weighted noise level determined according to EN60745:

Sound pressure level (L_{pA}) : 70 dB (A) or less

Uncertainty (K) : 3 dB (A)

The noise level under working may exceed 80 dB (A)

Wear ear protection

Vibration

The vibration total value (tri-axial vector sum) determined according to EN60745:

Vibration emission (a_h) : 2.5 m/s² or less

Uncertainty (K) : 1.5 m/s²

NOTE: The declared vibration emission value has been measured in accordance with the standard test method and may be used for comparing one tool with another.

NOTE: The declared vibration emission value may also be used in a preliminary assessment of exposure.

⚠WARNING: The vibration emission during actual use of the power tool can differ from the declared emission value depending on the ways in which the tool is used.

⚠WARNING: Be sure to identify safety measures to protect the operator that are based on an estimation of exposure in the actual conditions of use (taking account of all parts of the operating cycle such as the times when the tool is switched off and when it is running idle in addition to the trigger time).

For European countries only

EC Declaration of Conformity

Makita declares that the following Machine(s):

Designation of Machine:

Cordless Caulking Gun

Model No./ Type: DCG140, DCG180

Conforms to the following European Directives:

2006/42/EC

They are manufactured in accordance with the following standard or standardized documents:

EN60745

The technical file in accordance with 2006/42/EC is available from:

Makita, Jan-Baptist Vinkstraat 2, 3070, Belgium

31.12.2013



Yasushi Fukaya
Director

Makita, Jan-Baptist Vinkstraat 2, 3070, Belgium

General Power Tool Safety Warnings

⚠WARNING Read all safety warnings and all instructions. Failure to follow the warnings and instructions may result in electric shock, fire and/or serious injury.

Save all warnings and instructions for future reference.

CORDLESS CAULKING GUN SAFETY WARNINGS

1. Keep hands and clothes away from the rod and the plunger area. Otherwise your finger or clothes may be pinched.
2. Always be sure you have a firm footing.
3. Hold the tool firmly.
4. Always work in well ventilated area and wear proper protections in accordance with the operation.
5. Read and follow the manufacture's instructions on caulking material or adhesive material before usage.

SAVE THESE INSTRUCTIONS.

⚠WARNING: DO NOT let comfort or familiarity with product (gained from repeated use) replace strict adherence to safety rules for the subject product. MISUSE or failure to follow the safety rules stated in this instruction manual may cause serious personal injury.

Important safety instructions for battery cartridge

1. Before using battery cartridge, read all instructions and cautionary markings on (1) battery charger, (2) battery, and (3) product using battery.
2. Do not disassemble battery cartridge.
3. If operating time has become excessively shorter, stop operating immediately. It may result in a risk of overheating, possible burns and even an explosion.
4. If electrolyte gets into your eyes, rinse them out with clear water and seek medical attention right away. It may result in loss of your eyesight.
5. Do not short the battery cartridge:
 - (1) Do not touch the terminals with any conductive material.
 - (2) Avoid storing battery cartridge in a container with other metal objects such as nails, coins, etc.
 - (3) Do not expose battery cartridge to water or rain.

A battery short can cause a large current flow, overheating, possible burns and even a breakdown.
6. Do not store the tool and battery cartridge in locations where the temperature may reach or exceed 50 °C (122 °F).
7. Do not incinerate the battery cartridge even if it is severely damaged or is completely worn out. The battery cartridge can explode in a fire.
8. Be careful not to drop or strike battery.
9. Do not use a damaged battery.

10. The contained lithium-ion batteries are subject to the Dangerous Goods Legislation requirements.

For commercial transports e.g. by third parties, forwarding agents, special requirement on packaging and labeling must be observed. For preparation of the item being shipped, consulting an expert for hazardous material is required. Please also observe possibly more detailed national regulations.
Tape or mask off open contacts and pack up the battery in such a manner that it cannot move around in the packaging.

11. Follow your local regulations relating to disposal of battery.
12. Use the batteries only with the products specified by Makita. Installing the batteries to non-compliant products may result in a fire, excessive heat, explosion, or leak of electrolyte.

SAVE THESE INSTRUCTIONS.

⚠CAUTION: Only use genuine Makita batteries. Use of non-genuine Makita batteries, or batteries that have been altered, may result in the battery bursting causing fires, personal injury and damage. It will also void the Makita warranty for the Makita tool and charger.

Tips for maintaining maximum battery life

1. Charge the battery cartridge before completely discharged. Always stop tool operation and charge the battery cartridge when you notice less tool power.
2. Never recharge a fully charged battery cartridge. Overcharging shortens the battery service life.
3. Charge the battery cartridge with room temperature at 10 °C - 40 °C (50 °F - 104 °F). Let a hot battery cartridge cool down before charging it.
4. Charge the battery cartridge if you do not use it for a long period (more than six months).

FUNCTIONAL DESCRIPTION

⚠ CAUTION:

- Always be sure that the tool is switched off and the battery cartridge is removed before adjusting or checking function on the tool.

Installing or removing battery cartridge

► Fig.1: 1. Red indicator 2. Button 3. Battery cartridge

⚠ CAUTION:

- Always switch off the tool before installing or removing of the battery cartridge.
- Hold the tool and the battery cartridge firmly when installing or removing battery cartridge. Failure to hold the tool and the battery cartridge firmly may cause them to slip off your hands and result in damage to the tool and battery cartridge and a personal injury.

To remove the battery cartridge, slide it from the tool while sliding the button on the front of the cartridge. To install the battery cartridge, align the tongue on the battery cartridge with the groove in the housing and slide it into place. Insert it all the way until it locks in place with a little click. If you can see the red indicator on the upper side of the button, it is not locked completely.

⚠ CAUTION:

- Always install the battery cartridge fully until the red indicator cannot be seen. If not, it may accidentally fall out of the tool, causing injury to you or someone around you.
- Do not install the battery cartridge forcibly. If the cartridge does not slide in easily, it is not being inserted correctly.

Battery protection system

The tool is equipped with a battery protection system. This system automatically cuts off power to the motor to extend battery life.

The tool will automatically stop during operation if the tool and/ or battery are placed under one of the following conditions:

- Overloaded:**
The tool is operated in a manner that causes it to draw an abnormally high current. In this situation, release the switch trigger on the tool and stop the application that caused the tool to become overloaded. Then pull the switch trigger again to restart. If the tool does not start, the battery is overheated. In this situation, let the battery cool before pulling the switch trigger again.
- Low battery voltage:**
The remaining battery capacity is too low and the tool will not operate. In this situation, remove and recharge the battery.

NOTE: The overheat protection works only with a battery cartridge with a star mark.








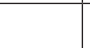










► Fig.2: 1. Star marking

Indicating the remaining battery capacity

Only for battery cartridges with the indicator

► Fig.3: 1. Indicator lamps 2. Check button

Press the check button on the battery cartridge to indicate the remaining battery capacity. The indicator lamps light up for a few seconds.

Indicator lamps			Remaining capacity
 Lighted	 Off	 Blinking	
			75% to 100%
			50% to 75%
			25% to 50%
			0% to 25%
			Charge the battery.
			The battery may have malfunctioned.
			

NOTE: Depending on the conditions of use and the ambient temperature, the indication may differ slightly from the actual capacity.

Speed adjusting dial

► Fig.4: 1. Speed adjusting dial

The tool speed can be adjusted by turning the dial. Higher speed is obtained when the dial is turned in the direction of number 5, lower speed is obtained when it is turned in the direction of number 1.

NOTE:

- The speed adjusting dial can be turned only as far as 5 and back to 1. Do not force it past 5 or 1, or the speed adjusting function may no longer work.
- Depending on the type and conditions of caulking material, it may not be fed at low speed. In this case, set the speed adjusting dial higher.

Overload warning lamp

► Fig.5: 1. Warning lamp

The warning lamp flickers in red when the tool is overloaded. If the load reaches some point, the lamp keeps lighting in red and the tool stops. To restart the tool, release the trigger and pull the trigger again.

NOTE: Check what causes the overload when the lamp flickers or lights up. Change the parameter of the speed adjusting dial lower, or increase the diameter of the nozzle.

Switch action

⚠ CAUTION:

- Before inserting the battery cartridge into the tool, always check to see that the switch trigger actuates properly and returns to the "OFF" position when released.
- When not operating the tool, push the trigger-lock button from A side to lock the switch trigger in the OFF position.

► Fig.6: 1. Lock lever 2. Switch trigger

To prevent the switch trigger from accidentally pulled, the trigger-lock button is provided.

To start the tool, push the trigger-lock button from B side and pull the switch trigger. Tool speed is increased by increasing pressure on the switch trigger. Release the switch trigger to stop.

After use, press in the trigger-lock button from A side.

Lighting up the lamp

⚠ CAUTION:

- Do not look in the light or see the source of light directly.

► Fig.7: 1. Lamp

Pull the switch trigger to light up the lamp. The lamp keeps on lighting while the switch trigger is being pulled. The lamp goes out approximately 10 seconds after the switch trigger is released.

NOTE:

- Use a dry cloth to wipe the dirt off the lens of lamp. Be careful not to scratch the lens of lamp, or it may lower the illumination.
- When the tool is overheated, the lamp flickers. Cool down the tool fully before operating again.

Drip preventive function

The motor keeps running for a short time even after the trigger is released. It releases the pressure of the caulking material and prevents dripping.

ASSEMBLY

⚠ CAUTION:

- Always be sure that the tool is switched off and the battery cartridge is removed before carrying out any work on the tool.
- Always place the tool on the ground or work-bench when carrying out any assembling work. The tool without being held tight may loose balance and cause injury.

Installing holder joint

► Fig.8

Attach the holder joint firmly along the tool, set the plate, and fix them with screws tightly.

To remove the holder joint, follow above procedure in reverse.

NOTE:

- There are two types of holders (optional accessory), short holder (300ml) and long holder (600ml). Use appropriate holder joint accordingly.

Installing rod and piston

► Fig.9

► Fig.10

Insert the rod into the slit of the tool.

Attach the piston and tighten it with a screw.

To remove the rod and piston, follow the installation procedure in reverse.

NOTICE:

- The teeth on the rod must point down.
- There are three types of pistons. Piston A for cartridges. Piston B for film type packs. Piston C for direct filling.
- Choose appropriate piston in accordance with the type of caulking material container. Improper piston may cause leakage or tool breakage.
- There are two types of rods. The short rod for the short holder (300ml), and the long rod for long holder (600ml). Use appropriate rod in accordance with holder type.
- Always keep the rod and piston clean. Adhering caulk may damage the tool.

Installing holder

► Fig.11

► Fig.12

Hold the bottom of the holder and the holder joint, then turn the holder clockwise. Tighten it firmly until it stops. Make sure the holder is tightened firmly. Otherwise the tool may be damaged.

To remove the holder, turn it counter clockwise.

NOTE:

- You can rotate the holder in accordance with required situations to facilitate the operation.
- The short holder (300ml) is intended for the cartridges only. Use only piston A with short holder (300ml), and do not use it with film type packs or direct filling. Also use appropriate rod in accordance with the holder type.

Installing cartridge

NOTICE:

- Make sure the piston A is attached to the rod. Do not use other type of piston for cartridge.

Installing the cartridge into the short holder (300ml)

► **Fig.13:** 1. Rod handle

Pull the rod handle backwards slowly until it stops.

► **Fig.14**

Insert the cartridge into the holder as illustrated.

Push the rod gently until the piston touches the bottom of the cartridge.

To remove the cartridge, pull the rod backwards until it stops, then lift out the cartridge.

Installing the cartridge into the long holder (600ml)

► **Fig.15:** 1. Holder cap 2. Rod handle

Remove the holder cap from the holder.

Pull the rod handle backwards slowly until it stops.

► **Fig.16:** 1. Holder cap

Insert the cartridge into the holder.

Attach the holder cap. Make sure it is tightened firmly.

Push the rod gently until the piston touches the bottom of the cartridge.

To remove the cartridge, remove the holder cap, then take out the cartridge.

NOTICE:

- Always check the cartridge for puncture or damage before installing. Do not use damaged cartridge, otherwise the tool may be damaged.
- When using a partially used cartridge, remove any adhered material on the cartridge.

Installing film type pack

NOTICE:

- Make sure the piston B is attached to the rod. Do not use other type of piston for film type pack.
- Film type pack can be installed in the long holder (600ml) only.

Remove the holder cap, the nozzle and the rubber ring from the holder.

Pull the rod handle backwards slowly until it stops.

► **Fig.17**

Cut off the tip of the film type pack.

Insert the film type pack into the holder.

► **Fig.18:** 1. Rubber ring 2. Nozzle 3. Holder cap

Attach the rubber ring, the nozzle and the holder cap.

Make sure holder cap is tightened firmly.

Push the rod gently until the piston touches the bottom of the film type pack.

NOTE:

- Always check the film type pack for puncture or damage before installing. Do not use damaged pack, otherwise the tool may be damaged.

Direct filling

NOTICE:

- Make sure the piston C is attached to the rod. Do not use other type of piston for direct filling.
- Direct filling can only be performed with the long holder (600ml).

Remove the holder cap, the nozzle and the rubber ring from the holder.

Make sure the rod handle is placed at the most front position.

Dip the mouth of the holder into the caulking material.

Pull the rod handle slowly until required amount of caulking material is filled in the holder.

Attach the rubber ring, the nozzle and the holder cap.

Make sure holder cap is tightened firmly.

NOTICE:

- Clean the holder with appropriate solvent after every day's work. Otherwise adhered caulking material may cause tool breakage.

OPERATION

CAUTION:

- Do not touch the rod during operation. Otherwise your finger may be pinched between the rod and the housing of the tool.
- Always wear goggles during operation.

NOTICE:

- Do not cover vents, or it may cause overheating and damage to the tool.
- If you can not pull out the rod, turn the speed adjusting dial to 1, and pull the switch trigger for a moment, and try to pull the rod out after the motor stopped. If the rod is still clogged, perform the same action until the rod is able to move.

Cut off the tip of the nozzle suitable for individual operation. Be careful how much you cut the nozzle. The diameter of the nozzle affects the amount of caulking material dispensed.

Pull the trigger to dispense caulking material.

The amount of the caulking material dispensed is determined by the trigger, the speed adjusting dial, the diameter of the nozzle opening, caulking material type, and temperature.

It is recommended that the speed adjusting dial is set to '1' and pull the trigger slowly at the first time to test how much amount of caulking material is dispensed.

When the rod reaches front end, the motor starts idling.

Replace the caulking material when it happens.

NOTE: If the caulking material is not dispensed, check the following items:

- Nozzle tip is not cut adequately. Cut the nozzle tip suitable for individual operation.
- Hardened material gets clogged in the nozzle. Remove the hardened material.
- The cartridge is damaged. Replace the cartridge.
- Caulking material is stiff. Warm the material until it becomes soft.
- The wrong piston is used. Use appropriate piston.

MAINTENANCE

⚠ CAUTION:

- Always be sure that the tool is switched off and the battery cartridge is removed before attempting to perform inspection or maintenance except for the following troubleshooting related to the light.
- Never use gasoline, benzine, thinner, alcohol or the like. Discoloration, deformation or cracks may result.
- Clean the holder and the rod after every day's work. Keep them free from the adhesive material. Remove the caulking material before it hardens. Remained adhesive material may cause breakage of the tool.

To maintain product SAFETY and RELIABILITY, repairs, carbon brush inspection and replacement, any other maintenance or adjustment should be performed by Makita Authorized Service Centers, always using Makita replacement parts.

OPTIONAL ACCESSORIES

⚠ CAUTION:

- These accessories or attachments are recommended for use with your Makita tool specified in this manual. The use of any other accessories or attachments might present a risk of injury to persons. Only use accessory or attachment for its stated purpose.

If you need any assistance for more details regarding these accessories, ask your local Makita Service Center.

- Piston A
- Piston B
- Piston C
- Short holder (300ml) set
- Long holder (600ml) set
- Nozzle
- Safety goggles
- Makita genuine battery and charger

NOTE:

- Some items in the list may be included in the tool package as standard accessories. They may differ from country to country.

ТЕХНІЧНІ ХАРАКТЕРИСТИКИ

Модель		DCG140		DCG180	
Макс. сила подачі		5000 Н			
Швидкість подачі		0 - 28 мм/с			
Хід	із коротким тримачем (300 мл)	214 мм			
	із довгим тримачем (600 мл)	350 мм			
Загальна довжина	із коротким тримачем (300 мл)	404 мм			
	із довгим тримачем (600 мл)	538 мм			
Стандартна касета з акумулятором		BL1415 / BL1415N	BL1430 / BL1430B / BL1440 / BL1450 / BL1460B	BL1815 / BL1815N / BL1820 / BL1820B	BL1830 / BL1830B / BL1840 / BL1840B / BL1850 / BL1850B / BL1860B
Чиста вага	із коротким тримачем (300 мл)	2,0 кг	2,2 кг	2,1 кг	2,3 кг
	із довгим тримачем (600 мл)	2,4 кг	2,6 кг	2,5 кг	2,7 кг
Номінальна напруга		14,4 В пост. Тока		18 В пост. Тока	

- Через те, що ми не припиняємо програми досліджень і розвитку, наведені тут технічні характеристики можуть бути змінені без попередження.
- Технічні характеристики приладу та касета з акумулятором можуть відрізнятися в різних країнах.
- Вага разом з касетою з акумулятором відповідно до EPTA-Procedure 01/2003

Призначення

Інструмент призначений для нанесення герметика на оброблювальну поверхню.

Шум

Рівень шуму за шкалою А у типовому виконанні, визначений відповідно до EN60745:

Рівень звукового тиску (L_{pa}): 70 дБ (А) або менше

Похибка (К): 3 дБ (А)

Рівень шуму під час роботи може перевищувати 80 дБ (А).

Користуйтеся засобами захисту слуху

Вібрація

Загальна величина вібрації (сума трьох векторів) визначена згідно з EN60745:

Вібрація (a_h): 2,5 м/с² або менше

Похибка (К): 1,5 м/с²

ПРИМІТКА: Заявлене значення вібрації було виміряно у відповідності до стандартних методів тестування та може використовуватися для порівняння одного інструмента з іншим.

ПРИМІТКА: Заявлене значення вібрації може також використовуватися для попередньої оцінки впливу.

⚠ ПОПЕРЕДЖЕННЯ: Залежно від умов використання вібрація під час фактичної роботи інструмента може відрізнятися від заявленого значення вібрації.

⚠ ПОПЕРЕДЖЕННЯ: Забезпечте належні запобіжні заходи для захисту оператора, що відповідають умовам використання інструмента (слід брати до уваги всі складові робочого циклу, такі як час, коли інструмент вимкнено та коли він починає працювати на холостому ході під час запуску).

Тільки для країн Європи

Декларація про відповідність стандартам ЄС

Компанія Makita наголошує на тому, що обладнання:

Позначення обладнання:

Акумуляторний шприц для герметика

№ моделі/тип: DCG140, DCG180

Відповідає таким Європейським Директивам:
2006/42/EC

Обладнання виготовлене відповідно до таких стандартів або стандартизованих документів:
EN60745

Технічну інформацію відповідно до 2006/42/EC можна отримати:

Makita, Jan-Baptist Vinkstraat 2, 3070, Бельгія



Ясуші Фукайя
Директор

Makita, Jan-Baptist Vinkstraat 2, 3070, Бельгія

Важливі інструкції з безпеки для касети з акумулятором

1. Перед тим як користуватися касетою з акумулятором, слід прочитати всі інструкції та застережні знаки щодо (1) зарядного пристрою акумулятора, (2) акумулятора та (3) виробів, що працюють від акумулятора.
2. Не слід збирати касету з акумулятором.
3. Якщо період роботи дуже покортшав, слід негайно припинити користування. Це може призвести до виникнення ризику перегріву, опіку та навіть вибуху.
4. У разі потрапляння електроліту в очі слід промити їх чистою водою та негайно звернутися до лікаря. Це може призвести до втрати зору.
5. Не закоротіть касету з акумулятором.
 - (1) Не слід торкатися клем будь-яким струмопровідним матеріалом.
 - (2) Не слід зберігати касету з акумулятором у смності з іншими металевими предметами, такими як цвяхи, монети тощо.
 - (3) Не залишайте касету з акумулятором під дощем, запобігайте контакту з водою.

Коротке замикання може призвести до появи значного струму, перегріву, можливих опіків та навіть виходу з ладу.
6. Не слід зберігати інструмент та касету з акумулятором в місцях, де температура може сягнути чи перевищити 50°C (122°F).
7. Не слід спалювати касету з акумулятором, навіть якщо вона була неодноразово пошкоджена або повністю спрацьована. Касета з акумулятором може вибухнути у вогні.
8. Не слід кидати або ударяти акумулятор.
9. Не слід використовувати пошкоджений акумулятор.
10. Літій-іонні акумулятори, що містяться в інструменті, мають відповідати вимогам законів про небезпечні товари.

Під час транспортування за допомогою комерційних перевезень, наприклад із залученням третьої сторони та експедиторів, необхідно дотримуватись особливих вимог, вказаних на пакуванні й у маркуванні.

Під час підготування позиції до відправлення необхідно проконсультуватись зі спеціалістом з небезпечних матеріалів. Крім того, слід виконувати більш докладні національні настанови, якщо такі є.

Заклейте відкриті контакти стрічкою або заховайте їх і запакуйте акумулятор таким чином, щоб він не міг рухатися в пакуванні.
11. Дотримуйтеся норм місцевого законодавства щодо утилізації акумуляторів.
12. Використовуйте акумулятори лише з виробами, указаними компанією Makita. Установлення акумуляторів у невідповідні вироби може призвести до пожежі, надмірного нагрівання, вибуху чи витоку електроліту.

ЗБЕРІГАЙТЕ ЦІ ВКАЗІВКИ.

Застереження стосовно техніки безпеки при роботі з електроприладами

⚠УВАГА! Прочитайте усі застереження стосовно техніки безпеки та всі інструкції. Недотримання даних застережень та інструкцій може призвести до ураження струмом та виникнення пожежі та/або серйозних травм.

Збережіть усі інструкції з техніки безпеки та експлуатації на майбутнє.

ПОПЕРЕДЖЕННЯ ПРО НЕОБХІДНУ ОБЕРЕЖНІСТЬ ПІД ЧАС РОБОТИ З АКУМУЛЯТОРНИМ ШПРИЦОМ ДЛЯ ГЕРМЕТИКА

1. Тримайте руки та одяг подалі від стрижня та поршня. Інакше існує небезпека защемлення одягу або пальців.
2. Завжди перевіряйте надійність опори.
3. Інструмент слід тримати міцно.
4. Завжди працюйте у добре вентильованому місці та користуйтеся захисними засобами відповідно до типу виконуваної роботи.
5. Перед початком використання інструмента ознайомтеся із вказівками виробника щодо герметика або клейких матеріалів і під час роботи дотримуйтеся цих вказівок.

ЗБЕРІГАЙТЕ ЦІ ВКАЗІВКИ.

⚠ПОПЕРЕДЖЕННЯ: НИКОЛИ НЕ СЛІД втрачати пильності та розслаблюватися під час користування виробом (що трапляється при частому використанні); слід завжди строго дотримуватися правил безпеки під час використання цього пристрою. **НЕНАЛЕЖНЕ ВИКОРИСТАННЯ** або недотримання правил безпеки, викладених в цьому документі, може призвести до серйозних травм.

⚠ОБЕРЕЖНО: Використовуйте тільки акумулятори Makita. Використання акумуляторів, інших ніж оригінальні акумулятори Makita, або акумуляторів, конструкцію яких було змінено, може призвести до вибуху акумулятора і спричинити пожежу, травму або пошкодження. У зв'язку з цим також буде анульовано гарантію Makita на інструмент Makita і на зарядний пристрій.

Поради з забезпечення максимального строку експлуатації акумулятора

1. Касету з акумулятором слід заряджати до того, як він розрядиться повністю. Завжди слід зупинити роботу інструмента та зарядити акумулятор, якщо ви помітили зменшення потужності інструмента.
2. Ніколи не слід заряджати повторно повністю заряджену касету з акумулятором. Перезарядження скорочує строк експлуатації акумулятора.
3. Заряджайте касету з акумулятором при кімнатній температурі 10°C—40°C (50°F—104°F). Перед тим як заряджати касету з акумулятором, слід зачекати, доки вона охолоне.
4. Якщо касета з акумулятором не використовувалася тривалий час (понад шість місяців), її слід зарядити.

ІНСТРУКЦІЯ З ВИКОРИСТАННЯ

⚠ОБЕРЕЖНО:

- Завжди перевіряйте, щоб прилад був вимкнений, а касета з акумулятором була знята, перед регулюванням або перевіркою функціонування інструмента.

Встановлення та зняття касети з акумулятором

► **Рис.1:** 1. Червоний індикатор 2. Кнопка 3. Касета з акумулятором

⚠ОБЕРЕЖНО:

- Завжди вимикайте інструмент перед встановленням або зніманням касети з акумулятором.
- Під час встановлення або знімання касети з акумулятором слід міцно тримати інструмент та касету з акумулятором. Якщо Ви утримуєте інструмент та касету з акумулятором недостатньо міцно, вони можуть вислизнути з рук, що може призвести до пошкодження інструмента і касети з акумулятором або може спричинити травми.

Щоб зняти касету з акумулятором, слід витягнути її з інструмента, натиснувши на кнопку в передній частині касети.

Щоб установити касету з акумулятором, слід сумістити шпонку касети з акумулятором із пазом у корпусі та вставити касету на місце. Уставляйте її, доки не почуєте клацання. Якщо на верхній частині кнопки видно червоний індикатор, це означає, що вона заблокована не повністю.

⚠ОБЕРЕЖНО:

- Завжди уставляйте касету повністю, аж поки червоний індикатор стане невидимим. Якщо цього не зробити, касета може випадково випасти з інструмента та завдати травми вам або людям, що знаходяться поруч.
- Не встановлюйте касету з акумулятором із зусиллям. Якщо касета не вставляється легко, то це означає, що Ви її невірною вставляєте.

Система захисту акумулятора

Інструмент оснащено системою захисту акумулятора. Ця система автоматично вимикає живлення двигуна з метою збільшення робочого часу акумулятора.

Інструмент буде автоматично вимкнений під час роботи, якщо він та/або акумулятор знаходиться в таких умовах:

• Перенавантаження:

Інструмент споживає струм занадто високої потужності під час роботи.

У такому разі відпустіть курок вмикача інструмента та зупиніть роботу, яка призвела до перенавантаження інструмента. Потім натисніть на курок вмикача, щоб знову запустити інструмент.

Якщо інструмент запустити неможливо, це означає, що акумулятор перегрівся. У такому разі дайте акумулятору охолонути, перш ніж знову натиснути на курок вмикача.

• Низька напруга акумулятора:

Залишковий заряд акумулятора занадто низький, тому інструмент не буде працювати. У такому разі зніміть та зарядіть акумулятор.

ПРИМІТКА: Захист від перегріву працює тільки у тому випадку, якщо використовується касета акумулятора із символом зірочки.

► Рис.2: 1. Маркувальна зірочка

Відображення залишкового заряду акумулятора

Тільки для касет з акумулятором, які мають індикатори

► Рис.3: 1. Індикаторні лампи 2. Кнопка перевірки
Натисніть кнопку перевірки на касеті з акумулятором для відображення залишкового ресурсу акумулятора. Індикаторні лампи загоряться на кілька секунд.

Індикаторні лампи			Залишковий ресурс
Горить	Вимк.	Блимає	
■	□	▧	від 75 до 100%
■ ■ ■ ■			
■	□	□	від 50 до 75%
■ ■ ■ □			
■	□	□	від 25 до 50%
■ ■ □ □			
■	□	□	від 0 до 25%
■ □ □ □			
▧	□	□	Зарядіть акумулятор.
▧ □ □ □			
■ ■ □ □	□ □	■ ■	Можливо, акумулятор вийшов з ладу.
□ □ ■ ■			

ПРИМІТКА: Залежно від умов використання та температури оточуючого середовища показання можуть незначним чином відрізнятися від дійсного ресурсу.

Коліщатко регулювання швидкості

► Рис.4: 1. Коліщатко регулювання швидкості

Швидкість роботи інструмента можна відрегулювати шляхом обертання диска. Більшу швидкість можна налаштувати, повернувши диск у напрямку цифри 5; меншу – повернувши його до цифри 1.

ПРИМІТКА:

- Коліщатко регулювання швидкості можна повертати тільки від 1 до 5 та назад. Не намагайтесь повернути його силою за межу 1 або 5, бо це може зламати диск регулювання.
- Залежно від типу та стану герметика він може не подаватися під час роботи на низькій швидкості. У такому разі диск регулювання швидкості необхідно встановити на вище значення.

Попереджувальна лампочка, що сигналізує про перевантаження

► Рис.5: 1. Попереджувальна лампа

Коли інструмент перевантажений, попереджувальна лампочка починає мигіти червоним кольором. Якщо навантаження досяє певного рівня, лампочка починає горіти червоним кольором, а інструмент зупиняється. Щоб перезапустити інструмент, відпустіть курок вмикача та натисніть на нього знову.

ПРИМІТКА: Перевірте, що спричиняє перевантаження, коли лампочка починає мигіти або горіти червоним кольором. Установіть диск регулювання швидкості на менше значення або збільште діаметр насадки.

Дія вмикача

⚠ОБЕРЕЖНО:

- Перед тим, як вставляти касету з акумулятором в інструмент, слід перевірити належну роботу курка вмикача, тобто щоб він повертався у положення "ВИМК.", коли його відпускають.
- Коли інструмент не використовується, натисніть на кнопку блокування курка вмикача з боку А, щоб зафіксувати курок вмикача в положенні ВИМК.

► Рис.6: 1. Стопорний важіль 2. Курковий вмикач

Для запобігання раптовому натисканню курка вмикача передбачено кнопку блокування курка вмикача. Для того щоб запустити інструмент, натисніть на кнопку блокування курка вмикача з боку В та натисніть на курок вмикача. Швидкість обертання інструмента збільшується шляхом збільшення тиску на курок вмикача. Щоб зупинити роботу, курок вмикача слід відпустити. Після роботи слід завжди натискати на кнопку блокування курка вмикача з боку А.

Увімкнення підсвічування

⚠ ОБЕРЕЖНО:

- Не дивіться на світло або безпосередньо на джерело світла.

► Рис.7: 1. Ліхтар

Натисніть на курок вмикача, щоб увімкнути переднє підсвічування. Підсвічування горить, поки курок вмикача залишається натиснутим. Підсвічування автоматично гасне приблизно через 10 секунд після того, як курок вмикача було відпущено.

ПРИМІТКА:

- Для видалення бруду з лінзи підсвітки користуйтеся сухою тканиною. Будьте обережні, щоб не подряпати лінзу підсвітки, тому що можна погіршити освітлювання.
- У разі перегріву інструмента починає мигтати лампочка. Дозвольте інструменту повністю охолонути, перш ніж продовжувати роботу.

Функція попередження підтікання герметика

Двигун продовжує працювати протягом короткого часу навіть після того, як курок вмикача був відпущений. Це допомагає знизити тиск герметика та запобігти його підтіканню.

КОМПЛЕКТУВАННЯ

⚠ ОБЕРЕЖНО:

- Завжди перевіряйте, щоб прилад був вимкнений, а касета з акумулятором була знята, перед тим, як проводити будь-які роботи на інструменті.
- Під час комплектування інструмента завжди розміщуйте його на землі або на верстаті. Якщо тримати інструмент недостатньо міцно, це може призвести до травм внаслідок втрати рівноваги інструмента.

Установлення муфти тримача

► Рис.8

Належним чином прикріпіть муфту тримача до інструмента, установіть пластину та надійно зафіксуйте їх за допомогою гвинтів.

Щоб зняти муфту тримача, виконайте зазначену вище процедуру у зворотному порядку.

ПРИМІТКА:

- До комплекту постачання входять тримачі двох типів (додаткове приладдя): короткий (300 мл) та довгий тримач (600 мл). Встановлюйте відповідну муфту, що підходить до використовуваного тримача.

Установлення стрижня та поршня

► Рис.9

► Рис.10

Уставте стрижень у передбачений для нього проріз в інструменті.

Приєднайте поршень та зафіксуйте його за допомогою гвинта.

Для того щоб зняти стрижень та поршень, виконайте процедуру їх встановлення у зворотному порядку.

ПРИМІТКА:

- Зубці на стрижні повинні бути спрямовані вниз.
- Існують три типи поршнів. Поршень А для картриджів. Поршень В для плівкових упаковок. Поршень С для безпосереднього нанесення герметика.
- Обирайте відповідний поршень залежно від типу контейнера для герметика. Використання невідповідного поршня може призвести до витoku герметика або до виходу інструмента з ладу.
- Існують два типи стрижнів. Короткий стрижень призначений для короткого тримача (300 мл), а довгий стрижень – для довгого тримача (600 мл). Встановлюйте відповідний стрижень залежно від типу використовуваного тримача.
- Завжди тримайте стрижень та поршень у чистоті. Налипання герметика може призвести до виходу інструмента з ладу.

Установлення тримача

► Рис.11

► Рис.12

Візьміться за нижню частину тримача та за муфту тримача, а потім поверніть тримач за годинниковою стрілкою. Міцно затягніть його, доки він не зупиниться.

Переконайтеся, що тримач надійно зафіксований. Інакше інструмент може зазнати пошкодження.

Щоб зняти тримач, поверніть його проти годинникової стрілки.

ПРИМІТКА:

- Залежно від здійснюваної операції Ви можете обертати тримач, як того вимагають робочі умови.
- Короткий тримач (300 мл) призначений тільки для картриджів. Із коротким тримачем (300 мл) використовуйте тільки поршень А, проте не використовуйте його із плівковими упаковками або для безпосереднього нанесення герметика. Використовуйте стрижень, який відповідає типу тримача.

Установлення картриджа

ПРИМІТКА:

- Переконайтеся, що на стрижень установлений поршень А. Не використовуйте з картриджем інший тип поршня.

Установлення картриджа у короткий тримач (300 мл)

► **Рис.13:** 1. Рукоятка стрижня

Повільно потягніть рукоятку стрижня назад, доки вона не зупиниться.

► **Рис.14**

Уставте картридж у тримач, як показано на малюнку. Обережно натискайте на стрижень, доки поршень не торкнеться нижньої частини картриджа. Щоб від'єднати картридж, потягніть стрижень назад до кінця, а потім зніміть картридж.

Установлення картриджа у довгий тримач (600 мл)

► **Рис.15:** 1. Наконечник тримача 2. Рукоятка стрижня
Зніміть наконечник із тримача.

Повільно потягніть рукоятку стрижня назад, доки вона не зупиниться.

► **Рис.16:** 1. Наконечник тримача

Уставте картридж у тримач. Приєднайте наконечник тримача. Переконайтеся, що він надійно зафіксований. Обережно натискайте на стрижень, доки поршень не торкнеться нижньої частини картриджа. Щоб від'єднати картридж, зніміть наконечник тримача, а потім зніміть картридж.

ПРИМІТКА:

- Перед установленням завжди перевіряйте картридж на наявність проколів або пошкоджень. Не використовуйте пошкоджені картриджі, інакше це може призвести до пошкодження інструмента.
- Якщо Вам потрібно встановити частково використаний картридж, видаліть з нього наліпли залишки герметика.

Установлення плівкової упаковки

ПРИМІТКА:

- Переконайтеся, що на стрижень установлений поршень В. Не використовуйте з плівковою упаковкою інший тип поршня.
- Плівкову упаковку можна встановити тільки у довгий тримач (600 мл).

Зніміть наконечник тримача, насадку та гумове кільце. Повільно потягніть рукоятку стрижня назад, доки вона не зупиниться.

► **Рис.17**

Зробіть надріз на кінчику плівкової упаковки.

Уставте плівкову упаковку у тримач.

► **Рис.18:** 1. Гумове кільце 2. Штуцер
3. Наконечник тримача

Прикріпіть гумове кільце, насадку та наконечник тримача. Переконайтеся, що наконечник тримача надійно зафіксований.

Обережно натискайте на стрижень, доки поршень не торкнеться нижньої частини плівкової упаковки.

ПРИМІТКА:

- Перед установленням завжди перевіряйте плівкову упаковку на наявність проколів або пошкоджень. Не використовуйте пошкоджену упаковку, інакше це може призвести до пошкодження інструмента.

Безпосереднє нанесення герметика

ПРИМІТКА:

- Переконайтеся, що на стрижень установлений поршень С. Не використовуйте інший тип поршня для безпосереднього нанесення герметика.
- Безпосереднє нанесення герметика можна здійснювати тільки за допомогою довгого тримача (600 мл).

Зніміть наконечник тримача, насадку та гумове кільце. Переконайтеся, що рукоятка стрижня повністю висушена вперед.

Занурте вихідний отвір тримача в герметик.

Повільно потягніть за рукоятку стрижня, доки тримач не наповниться потрібною кількістю герметика.

Прикріпіть гумове кільце, насадку та наконечник тримача. Переконайтеся, що наконечник тримача надійно зафіксований.

ПРИМІТКА:

- Наприкінці кожного робочого дня тримач слід прочищати відповідним розчинником. Інакше налипання герметика може призвести до виходу інструмента з ладу.

ЗАСТОСУВАННЯ

⚠ОБЕРЕЖНО:

- Забороняється торкатися стрижня під час роботи інструмента. Інакше існує небезпека защемлення пальців між стрижнем та корпусом інструмента.
- Під час роботи слід завжди надягати захисні окуляри.

ПРИМІТКА:

- Не закривайте вентиляційні отвори, оскільки це може призвести до перегрівання інструмента та до його пошкодження.

- Якщо Вам не вдається витягнути стрижень, установіть диск регулювання швидкості на значення 1 та на короткий час натисніть на курок вмикача; потім дочекайтеся зупинення двигуна та спробуйте витягнути стрижень. Якщо стрижень все ще заклинений, повторітьте цю дію, доки стрижень не почне пересуватися.

Відріжте кінчик насадки відповідно до здійснюваної операції. Коли Ви робитимете отвір у насадці, будьте обережними. Діаметр насадки впливає на кількість герметика, що вивільняється.

Натисніть на курок вмикача, щоб розпочати вивільнення герметика.

Кількість герметика, що вивільняється, визначається курком вмикача, налаштуванням диска регулювання швидкості, діаметром отвору у насадці, типом герметика та температурою.

Для того щоб з'ясувати, скільки герметика вивільняється, під час першого використання рекомендується встановити коліщатко регулювання швидкості на '1' та повільно натиснути на курок вмикача.

Коли стрижень досягне переднього краю, двигун перейде у режим холостого ходу. У цьому випадку візьміть новий герметик.

ПРИМІТКА: Якщо вивільнення герметика не відбувається, перевірте наступне:

- Кінчик насадки відрізаний неналежним чином. Відріжте кінчик насадки відповідно до здійснюваної операції.
- Затверділий матеріал герметика застрягає у насадці. Видаліть затверділий матеріал.
- Картридж пошкоджений. Замініть картридж.
- Герметик затверділий. Підігрійте герметик, доки він не стане м'яким.
- Використовується неналежний поршень. Скористайтеся відповідним поршнем.

ТЕХНІЧНЕ ОБСЛУГОВУВАННЯ

⚠ОБЕРЕЖНО:

- Завжди перевіряйте, щоб прилад був вимкнений, а касета з акумулятором була знята перед проведенням перевірки або технічного обслуговування, за виключенням нижчезначених операцій з усунення неполадок, пов'язаних з підсвічуванням.
- Ніколи не використовуйте газолін, бензин, розріджувач, спирт та подібні речовини. Їх використання може призвести до зміни кольору, деформації та появи тріщин.
- Наприкінці кожного робочого дня прочищайте тримач та стрижень. На них не має бути налиплого герметика. Видаляйте герметик до того, як він затвердіє. Налиплі залишки герметика можуть призвести до виходу інструмента з ладу.

Для того, щоб підтримувати БЕЗПЕКУ та НАДІЙНІСТЬ, ремонт, огляд та заміну вугільних щіток, будь-яке інше технічне обслуговування або регулювання мають виконувати уповноважені центри обслуговування "Makita", де використовуються лише стандартні запчастини "Makita".

ДОДАТКОВЕ ПРИЛАДДЯ

⚠ОБЕРЕЖНО:

- Це оснащення або приладдя рекомендовано для використання з інструментами "Makita", що описані в інструкції з експлуатації. Використання якогось іншого оснащення або приладдя може спричинити травмування. Оснащення або приладдя слід використовувати лише за призначенням.

У разі необхідності, отримати допомогу в більш детальному ознайомленні з оснащенням звертайтеся до місцевого Сервісного центру "Makita".

- Поршень А
- Поршень В
- Поршень С
- Комплект короткого тримача (300 мл)
- Комплект довгого тримача (600 мл)
- Штуцер
- Захисні окуляри
- Оригінальний акумулятор та заряджаючий пристрій Makita

ПРИМІТКА:

- Деякі елементи списку можуть входити до комплекту інструмента як стандартне приладдя. Вони можуть відрізнятися залежно від країни.

SPECYFIKACJE

Model		DCG140		DCG180	
Maks. siła dozowania		5 000 N			
Prędkość dozowania		0 - 28 mm/s			
Skok	z krótkim uchwytem (300 ml)	214 mm			
	z długim uchwytem (600 ml)	350 mm			
Długość całkowita	z krótkim uchwytem (300 ml)	404 mm			
	z długim uchwytem (600 ml)	538 mm			
Standardowy akumulator		BL 1415 / BL 1415N	BL 1430 / BL 1430B / BL 1440 / BL 1450 / BL 1460B	BL 1815 / BL 1815N / BL 1820 / BL 1820B	BL 1830 / BL 1830B / BL 1840 / BL 1840B / BL 1850 / BL 1850B / BL 1860B
Ciężar netto	z krótkim uchwytem (300 ml)	2,0 kg	2,2 kg	2,1 kg	2,3 kg
	z długim uchwytem (600 ml)	2,4 kg	2,6 kg	2,5 kg	2,7 kg
Napięcie znamionowe		Prąd stały 14,4 V		Prąd stały 18 V	

- W związku ze stałe prowadzonym przez naszą firmę programem badawczo-rozwojowym, niniejsze specyfikacje mogą ulec zmianom bez wcześniejszego powiadomienia.
- W innych krajach urządzenie może mieć odmienne parametry techniczne i może być wyposażone w inny akumulator.
- Waga urządzenia wraz z akumulatorem obliczona zgodnie z procedurą EPTA 01/2003

Przeznaczenie

Narzędzie to jest przeznaczone do nakładania materiału uszczelniającego na powierzchnię.

Poziom hałasu i drgań

Typowy równoważny poziomy dźwięku A określony w oparciu o EN60745:

Poziomy ciśnienia akustycznego (L_{pA}): 70 dB (A)

lub mniej

Niepewność (K): 3 dB (A)

Poziomy hałasu podczas pracy może przekraczać 80 dB (A).

Należy stosować ochroniacze na uszy

Drgania

Całkowita wartość poziomu drgań (suma wektorów w 3 osiach) określona zgodnie z normą EN60745:

Emisja drgań (a_h): 2,5 m/s² lub mniej

Niepewność (K): 1,5 m/s²

WSKAZÓWKA: Deklarowana wartość wytwarzanych drgań została zmierzona zgodnie ze standardową metodą testową i można ją wykorzystać do porównywania narzędzi.

WSKAZÓWKA: Deklarowaną wartość wytwarzanych drgań można także wykorzystać we wstępnej ocenie narażenia.

⚠️ OSTRZEŻENIE: Drgania wytwarzane podczas rzeczywistego użytkowania elektronarzędzia mogą się różnić od wartości deklarowanej, w zależności od sposobu jego użytkowania.

⚠️ OSTRZEŻENIE: W oparciu o szacowane narażenie w rzeczywistych warunkach użytkowania należy określić środki bezpieczeństwa w celu ochrony operatora (uwzględniając wszystkie elementy cyklu działania, tj. czas, kiedy narzędzie jest wyłączone i kiedy pracuje na biegu jałowym, a także czas, kiedy jest włączone).

Dotyczy tylko krajów europejskich

Deklaracja zgodności UE

Firma Makita oświadcza, że poniższe urządzenie/-a:

Oznaczenie maszyny:

Bezprzewodowy Pistolet Do Uszczelnień

Nr modelu / Typ: DCG140, DCG180

Jest zgodne z wymogami określonymi w następujących dyrektywach europejskich:

2006/42/EC

Jest/są produkowane zgodnie z następującymi normami lub dokumentami normalizacyjnymi:

EN60745

Dokumentacja techniczna zgodna w wymaganiami dyrektywy 2006/42/WE jest dostępna w:

Makita, Jan-Baptist Vinkstraat 2, 3070, Belgia



Yasushi Fukaya
Dyrektor

Makita, Jan-Baptist Vinkstraat 2, 3070, Belgia

Ogólne zasady bezpieczeństwa obsługi elektronarzędzi

⚠️ OSTRZEŻENIE Przeczytaj wszystkie ostrzeżenia i instrukcje. Nie przestrzeganie ich może prowadzić do porażenia prądem, pożarów i/lub poważnych obrażeń ciała.

Wszystkie ostrzeżenia i instrukcje należy zachować do późniejszego wykorzystania.

OGÓLNE ZASADY BEZPIECZEŃSTWA OBSŁUGI BEZPRZEWODOWEGO PISTOLETU DO USZCZELNIEŃ

1. Trzymać ręce i odzież z dala od pręta i tłoka. W przeciwnym razie istnieje ryzyko pochwylenia palca lub odzieży przez narzędzie.
2. Podczas pracy należy zadbać o dobre oparcie dła nóg.
3. Narzędzie należy trzymać mocno i pewnie.
4. Prace z narzędziem należy wykonywać w dobrze wentylowanych miejscach. Podczas pracy z narzędziem należy nosić odpowiednie zabezpieczenia zgodnie z wykonywaną czynnością.
5. Przeczytać i postępować zgodnie z zaleceniami producenta materiału uszczelniającego lub klejącego przed ich użyciem.

ZACHOWAĆ INSTRUKCJE.

⚠️ OSTRZEŻENIE: NIE WOLNO pozwolić, aby wygoda lub rutyna (nabyta w wyniku wielokrotnego używania narzędzia) zastąpiły ścisłe przestrzeganie zasad bezpieczeństwa obsługi. **NIEWŁAŚCIWE UŻYTKOWANIE** narzędzia lub niestosowanie się do zasad bezpieczeństwa podanych w niniejszej instrukcji obsługi może prowadzić do poważnych obrażeń ciała.

Ważne zasady bezpieczeństwa dotyczące akumulatora

1. Przed użyciem akumulatora zapoznać się ze wszystkimi instrukcjami i znakami ostrzegawczymi na (1) ładowarce, (2) akumulatorze i (3) produkcie, w którym będzie używany akumulator.
2. Akumulatora nie wolno rozbiierać.
3. Jeśli czas działania uległ znacznemu skróceniu, należy natychmiast przerwać pracę. Może bowiem dojść do przegrzania, ewentualnych poparzeń, a nawet eksplozji.
4. W przypadku przedostania się elektrolitu do oczu, przemyć je czystą wodą i niezwłocznie uzyskać pomoc lekarską. Może on bowiem spowodować utratę wzroku.
5. Nie doprowadzać do zwarcia akumulatora:
 - (1) Nie dotykać styków materiałami przewodzącymi prąd.
 - (2) Unikać przechowywania akumulatora w pojemniku z metalowymi przedmiotami, takimi jak gwoździe, monety itp.
 - (3) Chronić akumulator przed deszczem lub wodą.

Zwarcie prowadzi do przepływu prądu elektrycznego o dużym natężeniu i przegrzania akumulatora, co w konsekwencji może grozić poparzeniami a nawet awarią urządzenia.

6. Narzędzia i akumulatora nie wolno przechowywać w miejscach, w których temperatura osiąga bądź przekracza 50°C (122°F).
7. Akumulatorów nie wolno spalać, również tych poważnie uszkodzonych lub całkowicie zużytych. Akumulator może eksplodować w ogniu.
8. Chronić akumulator przed upadkiem i uderzeniami.
9. Nie wolno używać uszkodzonego akumulatora.
10. Stanowiące wyposażenie akumulatory litowo-jonowe podlegają przepisom dotyczącym produktów niebezpiecznych.

Na potrzeby transportu komercyjnego, np. świadczony przez firmy trzecie czy spedycyjne, należy przestrzegać specjalnych wymagań w zakresie pakowania i oznaczania etykietami. Przygotowanie produktu do wysyłki wymaga skonsultowania się ze specjalistą ds. materiałów niebezpiecznych. Należy także przestrzegać przepisów krajowych, które mogą być bardziej szczegółowe.

Zakleić taśmą lub zaślepić otwarte styki akumulatora oraz zabezpieczyć go, aby nie mógł się przesuwać w opakowaniu.

11. Postępować zgodnie z przepisami lokalnymi dotyczącymi usuwania akumulatorów.
12. Używać akumulatorów tylko z produktami określonymi przez firmę Makita. Zastosowanie akumulatorów w niezgodnych produktach może spowodować pożar, przegrzanie, wybuch lub wyciek elektrolitu.

ZACHOWAĆ NINIEJSZE INSTRUKCJE.

⚠ PRZESTROGA: Używać wyłącznie oryginalnych akumulatorów firmy Makita. Używanie nieoryginalnych akumulatorów firm innych niż Makita lub akumulatorów, które zostały zmodyfikowane, może spowodować wybuch akumulatora i pożar, obrażenia ciała oraz zniszczenie mienia. Stanowi to również naruszenie warunków gwarancji firmy Makita dotyczących narzędzia i ładowarki.

Wskazówki dotyczące zachowania maksymalnej trwałości akumulatora

1. Akumulator należy naładować zanim zostanie do końca rozładowany. Po zauważeniu spadku mocy narzędzia należy przerwać pracę i naładować akumulator.
2. Nie wolno ładować powtórnie w pełni naładowanego akumulatora. Przeładowanie akumulatora skraca jego trwałość.
3. Akumulator należy ładować w temperaturze pokojowej w przedziale 10–40°C (50–104°F). W przypadku gorącego akumulatora przed przystąpieniem do ładowania należy poczekać, aż ostygnie.
4. Akumulatory niklowo-wodorkowe należy naładować po okresie długiego nieużytkowania (dłuższego niż sześć miesięcy).

OPIS DZIAŁANIA

⚠ PRZESTROGA:

- Przed przystąpieniem do regulacji lub przeglądu narzędzia upewnić się, czy jest ono wyłączone i czy został wyjęty akumulator.

Wkładanie i wyjmowanie akumulatora

- Rys.1: 1. Czerwony wskaźnik 2. Przycisk
3. Akumulator

⚠ PRZESTROGA:

- Przed montażem lub demontażem akumulatora należy wyłączyć narzędzie.
- Podczas wkładania lub wyjmowania akumulatora należy mocno trzymać narzędzie i akumulator. W przeciwnym razie mogą one wyslizgnąć się z rąk, powodując uszkodzenie narzędzia lub akumulatora i obrażenia ciała.

Aby wyjąć akumulator, należy przesunąć przycisk znajdujący się w przedniej jego części i wysunąć akumulator.

Aby zamontować akumulator, wystarczy wyrównać występ na akumulatorze z rowkiem w obudowie i wsunąć go na swoje miejsce. Akumulator należy wsuwać do oporu, aż się zablokuje, co jest sygnalizowane delikatnym kliknięciem. Jeśli jest widoczny czerwony wskaźnik w górnej części przycisku, akumulator nie został całkowicie zablokowany.

⚠ PRZESTROGA:

- Należy go zamontować całkowicie, tak aby czerwony wskaźnik nie był widoczny. W przeciwnym razie może przypadkowo wypaść z urządzenia, raniąc operatora lub osoby postronne.
- Nie montować akumulatora na siłę. Jeśli akumulator nie daje się swobodnie wsunąć, prawdopodobnie został włożony nieprawidłowo.

System ochrony akumulatora

Narzędzie jest wyposażone w system ochrony akumulatora. System ten automatycznie odcina dopływ prądu do silnika w celu wydłużenia żywotności akumulatora. Narzędzie zostanie automatycznie zatrzymane podczas pracy w następujących sytuacjach związanych z narzędziem/akumulatorem:

- Przeciążenie:
Narzędzie pracuje w sposób przyczyniający się do niezwykle wysokiego wzrostu napięcia. W takiej sytuacji należy zwolnić język spustowy przełącznika narzędzia i zatrzymać wykonywaną pracę, która doprowadziła do przeciążenia narzędzia. Następnie ponownie pociągnąć język spustowy przełącznika w celu ponownego uruchomienia narzędzia. Jeżeli narzędzie nie włącza się, akumulator uległ przegrzaniu. W takiej sytuacji należy poczekać, aż akumulator ostygnie przed ponownym pociągnięciem za język spustowy przełącznika.

- Niskie napięcie akumulatora:
Za niski poziom naładowania akumulatora, aby narzędzie mogło pracować. W takiej sytuacji należy wyjąć akumulator i go naładować.

WSKAZÓWKA: Zabezpieczenie przed przegrzaniem działa wyłącznie z akumulatorem z symbolem gwiazdy.

► **Rys.2:** 1. Znak gwiazdki

Wskazanie stanu naładowania akumulatora

Tylko w przypadku akumulatorów ze wskaźnikiem

► **Rys.3:** 1. Lampki wskaźnika 2. Przycisk kontrolny

Nacisnąć przycisk kontrolny na akumulatorze w celu wyświetlenia stanu naładowania akumulatora. Lampki wskaźnika zaświecą się przez kilka sekund.

Lampki wskaźnika			Pozostała energia akumulatora
Świeci się	Wyłączony	Miga	
■	□	▧	75–100%
■	■	■	
■	■	□	50–75%
■	□	□	25–50%
■	□	□	0–25%
▧	□	□	Naładować akumulator.
■	■	□	Akumulator może nie działać poprawnie.
□	□	■	

WSKAZÓWKA: Zależnie od warunków użytkowania i temperatury otoczenia, wskazywany poziom może nieznacznie się różnić od rzeczywistego stanu naładowania akumulatora.

Pokrętko regulacji prędkości

► **Rys.4:** 1. Pokrętko regulacji prędkości

Prędkość narzędzia można regulować poprzez obracanie pokrętki. Większą prędkość uzyskuje się, obracając pokrętko w kierunku pozycji 5, a mniejszą, obracając pokrętko w kierunku pozycji 1.

WSKAZÓWKA:

- Pokrętko regulacji prędkości można maksymalnie obrócić do pozycji 5 i z powrotem do pozycji 1. Nie wolno próbować obrócić go na siłę poza pozycję 5 lub 1, gdyż funkcja regulacji prędkości może przestać działać.
- W zależności od rodzaju i stanu materiału uszczelniającego może nie być możliwe wycisnienie z niską prędkością. W takiej sytuacji należy ustawić pokrętko regulacji prędkości na wyższą wartość.

Kontrolka ostrzegawcza przeciążenia

► **Rys.5:** 1. Kontrolka ostrzegawcza

Kontrolka ostrzegawcza miga na czerwono w przypadku przeciążenia narzędzia. Jeżeli przeciążenie osiągnie pewien punkt, kontrolka zaczyna świecić stałym światłem na czerwono, a narzędzie zostanie zatrzymane. W celu ponownego uruchomienia narzędzia należy zwolnić język spustowy i ponownie go pociągnąć.

WSKAZÓWKA: Sprawdzić przyczynę przeciążenia w przypadku migania lub stałego świecenia się kontrolki. Zmniejszyć ustawienie prędkości pokrętkiem regulacji prędkości lub zwiększyć średnicę dyszy.

Włączanie

▲ PRZESTROGA:

- Przed włożeniem akumulatora do narzędzia zawsze sprawdź, czy język spustowy wyłącznika działa prawidłowo i po zwolnieniu powraca do położenia „OFF”.
- Jeżeli narzędzie nie będzie używane, należy nacisnąć przycisk blokady od strony A, aby zablokować język spustowy przełącznika w pozycji OFF.

► **Rys.6:** 1. Dźwignia blokady 2. Spust przełącznika

Narzędzie zostało wyposażone w przycisk blokady, który zapobiega przypadkowemu pociągnięciu za język spustowy przełącznika.

Aby uruchomić narzędzie, wystarczy nacisnąć przycisk blokady od strony B i pociągnąć za język spustowy przełącznika. Prędkość narzędzia rośnie wraz ze zwiększaniem nacisku na język spustowy przełącznika. Aby zatrzymać narzędzie, wystarczy zwolnić język spustowy przełącznika.

Po zakończeniu pracy z narzędziem należy zawsze nacisnąć przycisk blokady od strony A.

Włączanie oświetlenia

▲ PRZESTROGA:

- Nie patrzeć na światło ani bezpośrednio na źródło światła.

► **Rys.7:** 1. Lampka

W celu zapalenia lampki należy pociągnąć za język spustowy przełącznika. Lampka świeci dopóki język spustowy przełącznika jest naciskany. Lampka gaśnie po upływie 10 sekund od momentu zwolnienia języka spustowego przełącznika.

WSKAZÓWKA:

- Użyć suchej tkaniny aby zetrzeć zanieczyszczenia z osłony lampki. Uważać, aby nie zarysować osłony lampki, gdyż może to zmniejszyć natężenie oświetlenia.
- Gdy narzędzie zostanie przegrzane, zacznie migać kontrolka. Przed ponownym użyciem narzędzia należy odczekać do jego ostygnięcia.

Funkcja zapobiegająca kapaniu

Po zwolnieniu języka spustowego silnik będzie nadal pracował przez krótki czas. Funkcja zwalnia nacisk wywierany na materiał uszczelniający, zapobiegając kapaniu.

MONTAŻ

▲ PRZESTROGA:

- Przed przystąpieniem do jakichkolwiek czynności związanych z obsługą narzędzia należy koniecznie upewnić się, czy jest ono wyłączone i czy akumulator został wyjęty.
- Należy zawsze umieszczać narzędzie na ziemi lub stole warsztatowym w celu wykonania prac montażowych. Narzędzie, które nie jest mocno trzymane może stracić równowagę i spowodować obrażenia.

Montaż złącza uchwyty

► Rys.8

Zamontować prawidłowo złącze uchwyty na narzędziu, włożyć płytkę i zamocować ją mocno za pomocą śrub. Aby zdemontować złącze uchwyty, należy wykonać powyższą czynność w odwrotnej kolejności.

WSKAZÓWKA:

- Oferowane są dwa rodzaje uchwytów (akcesoria opcjonalne) – uchwyt krótki (300 ml) oraz uchwyt długi (600 ml). Użyć odpowiedniego złącza uchwyty.

Montaż pręta i tłoka

► Rys.9

► Rys.10

Wsunąć pręt w szczelinę narzędzia.

Zamocować tłok, dokręcając śrubę.

Aby wyjąć pręt i tłok, należy wykonać procedurę montażu w odwrotnej kolejności.

UWAGA!

- Zęby pręta muszą być skierowane do dołu.
- Oferowane są trzy rodzaje tłoków. Tłok A przeznaczony do wkładów. Tłok B przeznaczony do opakowań typu saszetki. Tłok C do bezpośredniego napełniania.
- Wybrać odpowiedni tłok zgodnie z rodzajem opakowania z materiałem uszczelniającym. Nieprawidłowy tłok może spowodować wyciek lub uszkodzenie narzędzia.
- Oferowane są dwa rodzaje prętów. Krótki pręt do krótkiego uchwyty (300 ml) oraz długi pręt do długiego uchwyty (600 ml). Użyć odpowiedniego pręta zgodnie z rodzajem uchwyty.
- Zawsze utrzymywać pręt i tłok w czystości. Przywierający materiał uszczelniający może powodować uszkodzenie narzędzia.

Montaż uchwyty

► Rys.11

► Rys.12

Przytrzymać dolną część uchwyty i złącze uchwyty, a następnie obrócić uchwyt w prawo. Dokręcić mocno do oporu. Upewnić się, że uchwyt jest mocno dokręcony. W przeciwnym razie narzędzie może ulec uszkodzeniu. W celu zdemontowania uchwyty należy obrócić go w lewo.

WSKAZÓWKA:

- Istnieje możliwość obracania uchwyty zgodnie z wymaganą sytuacją w celu umożliwienia wykonania danej czynności.
- Krótki uchwyt (300 ml) jest przeznaczony wyłącznie do wkładów. Z krótkim uchwytem (300 ml) należy stosować wyłącznie tłok A. Nie używać tego tłoka do opakowań typu saszetki lub do bezpośredniego napełniania. Należy również użyć odpowiedniego pręta zgodnie z rodzajem uchwyty.

Montaż wkładu

UWAGA!

- Upewnić się, że tłok A został zamocowany do pręta. Nie stosować żadnych innych rodzajów tłoków do wkładów.

Montaż wkładu w krótkim uchwycie (300 ml)

► Rys.13: 1. Uchwyt pręta

Pociągnąć powoli uchwyt pręta do tyłu do oporu.

► Rys.14

Włożyć wkład w uchwyt, jak pokazano na rysunku.

Pchnąć lekko pręt do momentu dotknięcia tłoka do dna wkładu.

W celu usunięcia wkładu należy pociągnąć pręt do tyłu do oporu, a następnie wyjąć wkład.

Montaż wkładu w długim uchwycie (600 ml)

► Rys.15: 1. Nakrętka uchwyty 2. Uchwyt pręta

Zdjąć nakrętkę uchwyty z uchwyty.

Pociągnąć powoli uchwyt pręta do tyłu do oporu.

► Rys.16: 1. Nakrętka uchwyty

Włożyć wkład w uchwyt.

Zamocować nakrętkę uchwyty. Upewnić się, że jest ona mocno dokręcona.

Pchnąć lekko pręt do momentu dotknięcia tłoka do dna wkładu.

W celu usunięcia wkładu należy zdjąć nakrętkę uchwyty, a następnie wyjąć wkład.

UWAGA!

- Przed zamontowaniem wkładu należy go zawsze sprawdzić pod kątem pęknięć lub ewentualnego uszkodzenia. Nie stosować uszkodzonych wkładów. W przeciwnym razie narzędzie może ulec uszkodzeniu.
- W przypadku korzystania z częściowo już zużytego wkładu należy usunąć z niego cały nagromadzony materiał uszczelniający.

Montaż opakowania typu saszetka

UWAGA!

- Upewnić się, że tłok B został zamocowany do pręta. Nie stosować żadnych innych rodzajów tłoków do opakowań typu saszetki.
- Opakowanie typu saszetka może zostać zamontowane wyłącznie w długim uchwycie (600 ml).

Zdjąć nakrętkę uchwytu, dyszę oraz gumowy pierścień z uchwytu.

Pociągnąć powoli uchwyt pręta do tyłu do oporu.

► Rys.17

Odciąć końcówkę opakowania typu saszetka.

Włożyć opakowanie typu saszetka do uchwytu.

► **Rys.18:** 1. Gumowy pierścień 2. Dysza 3. Nakrętka uchwytu

Zamocować gumowy pierścień, dyszę oraz nakrętkę uchwytu. Upewnić się, że nakrętka uchwytu jest mocno dokręcona.

Pchnąć lekko pręt do momentu dotknięcia tłoka do dna opakowania typu saszetka.

WSKAZÓWKA:

- Przed włożeniem opakowania typu saszetka należy je zawsze sprawdzić pod kątem pęknięć lub ewentualnego uszkodzenia. Nie stosować uszkodzonych opakowań. W przeciwnym razie narzędzie może ulec uszkodzeniu.

Bezpośrednie napełnianie

UWAGA!

- Upewnić się, że tłok C został zamocowany do pręta. Nie stosować żadnych innych rodzajów tłoków do bezpośredniego napełniania.
- Bezpośrednie napełnianie jest możliwe wyłącznie w przypadku zastosowania długiego uchwytu (600 ml).

Zdjąć nakrętkę uchwytu, dyszę oraz gumowy pierścień z uchwytu.

Upewnić się, że uchwyt pręta znajduje maksymalnie z przodu.

Zanurzyć końcówkę uchwytu w materiale uszczelniającym.

Pociągnąć powoli uchwyt pręta do momentu napełnienia uchwytu wymaganą ilością materiału uszczelniającego.

Zamocować gumowy pierścień, dyszę oraz nakrętkę uchwytu. Upewnić się, że nakrętka uchwytu jest mocno dokręcona.

UWAGA!

- Po każdym dniu pracy oczyścić uchwyt za pomocą odpowiedniego rozpuszczalnika. W przeciwnym razie nagromadzony materiał uszczelniający może spowodować uszkodzenie narzędzia.

DZIAŁANIE

PRZESTROGA:

- Nie dotykać pręta w czasie pracy. Istnieje ryzyko zablokowania palca pomiędzy prętem a obudową narzędzia.
- Podczas pracy z narzędziem należy zawsze nosić okulary.

UWAGA!

- Nie zasłaniać otworów wentylacyjnych. W przeciwnym wypadku może to doprowadzić do przegrzania lub uszkodzenia narzędzia.
- W przypadku braku możliwości pociągnięcia pręta należy ustawić pokrętko regulacji prędkości w pozycji 1, a następnie pociągnąć i przytrzymać przez chwilę język spustowy przełącznika. Po zatrzymaniu silnika ponownie spróbować pociągnąć pręt. Jeżeli pręt nadal jest zablokowany, należy wykonać powyższą czynność kilkakrotnie do momentu jego odblokowania.

Odciąć końcówkę dyszy odpowiednio do danej operacji.

Należy zachować ostrożność przy przecinaniu dyszy. Średnica dyszy ma bezpośredni wpływ na ilość dozowanego materiału uszczelniającego.

Pociągnąć język spustowy, aby rozpocząć dozowanie materiału uszczelniającego.

Ilość dozowanego materiału uszczelniającego jest regulowana językiem spustowym, pokrętkiem regulacji prędkości, średnicą otworu dyszy, rodzajem materiału uszczelniającego oraz temperatura.

W przypadku pierwszego użycia zaleca się ustawienie pokrętkła regulacji prędkości w pozycji 1, a następnie powolne pociągnięcie języka spustowego w celu sprawdzenia, jak duża ilość materiału uszczelniającego jest dozowana.

Gdy pręt osiągnie przednią pozycję końcową silnik zacznie pracować w trybie biegu jałowego. W takim przypadku wymienić materiał uszczelniający.

WSKAZÓWKA: Jeżeli materiał uszczelniający nie jest dozowany, należy sprawdzić następujące kwestie:

- Dysza końcówki nie jest prawidłowo odcięta. Odciąć końcówkę dyszy odpowiednio do danej operacji.
- Utwardzony materiał zablokował dyszę. Usunąć utwardzony materiał.
- Wkład jest uszkodzony. Wymienić wkład.
- Materiał uszczelniający jest twardy. Podgrzać materiał do momentu jego zmięknienia.
- Użyto niewłaściwego tłoka. Użyć odpowiedniego tłoka.

KONSERWACJA

PRZESTROGA:

- Przed przystąpieniem do przeglądu narzędzia lub jego konserwacji (za wyjątkiem omówionych niżej rozwiązywania problemów związanych z oświetleniem) upewnij się, czy jest ono wyłączone i czy akumulator został wyjęty.
- Nie wolno używać benzyny, benzenu, rozpuszczalnika, alkoholu itp. Substancje takie mogą spowodować odbarwienia, odkształcenia lub pęknięcia.
- Po każdym dniu pracy oczyścić uchwyt i pręt. Utrzymywać uchwyt i pręt w czystości, nie pozostawiać na nich przywartego materiału. Usunąć materiał uszczelniający przed jego utwardzeniem. Pozostawiony przywierający materiał może spowodować uszkodzenie narzędzia.

Dla zachowania BEZPIECZEŃSTWA i NIEZAWODNOŚCI wyrobu, naprawy, wymiana szczotek węglowych oraz inne prace konserwacyjne i regulacyjne powinny być wykonywane przez Autoryzowane Centra Serwisowe Makita, wyłącznie przy użyciu części zamiennych Makita.

AKCESORIA OPCJONALNE

PRZESTROGA:

- Zaleca się stosowanie wymienionych akcesoriów i dodatków razem z elektronarzędziem Makita opisanym w niniejszej instrukcji. Stosowanie jakichkolwiek innych akcesoriów i dodatków może stanowić ryzyko uszkodzenia ciała. Stosować akcesoria i dodatki w celach wyłącznie zgodnych z ich przeznaczeniem.

W razie potrzeby, wszelkiej pomocy i szczegółowych informacji na temat niniejszych akcesoriów udzielą Państwu lokalne Centra Serwisowe Makita.

- Tłok A
- Tłok B
- Tłok C
- Zestaw z krótkim uchwytem (300 ml)
- Zestaw z długim uchwytem (600 ml)
- Dysza
- Gogle ochronne
- Oryginalny akumulator i ładowarka firmy Makita

WSKAZÓWKA:

- Niektóre pozycje znajdujące się na liście mogą być dołączone do pakietu narzędziowego jako akcesoria standardowe. Mogą to być różne pozycje, w zależności od kraju.

SPECIFICAȚII

Model		DCG140		DCG180	
Forță de avans maximă		5.000 N			
Viteză de avans		0 - 28 mm/s			
Cursă	cu suport scurt (300 ml)	214 mm			
	cu suport lung (600 ml)	350 mm			
Lungime totală	cu suport scurt (300 ml)	404 mm			
	cu suport lung (600 ml)	538 mm			
Cartuș acumulator standard		BL1415 / BL1415N	BL1430 / BL1430B / BL1440 / BL1450 / BL1460B	BL1815 / BL1815N / BL1820 / BL1820B	BL1830 / BL1830B / BL1840 / BL1840B / BL1850 / BL1850B / BL1860B
Greutate netă	cu suport scurt (300 ml)	2,0 kg	2,2 kg	2,1 kg	2,3 kg
	cu suport lung (600 ml)	2,4 kg	2,6 kg	2,5 kg	2,7 kg
Tensiune nominală		14,4 V cc.		18 V cc.	

- Datorită programului nostru continuu de cercetare și dezvoltare, caracteristicile pot fi modificate fără o notificare prealabilă.
- Specificațiile și ansamblul baterie pot diferi de la țară la țară.
- Greutatea, cu ansamblul baterie, conform procedurii EPTA 01/2003

Destinația de utilizare

Această mașină este destinată aplicării materialelor de ștemuire pe suprafețe.

Emisie de zgomot

Nivelul de zgomot normal ponderat A determinat în conformitate cu EN60745:

Nivel de presiune acustică (L_{pA}): 70 dB(A) sau mai puțin
Marjă de eroare (K): 3 dB (A)

Nivelul de zgomot în timpul funcționării poate depăși 80 dB (A).

Purtați mijloace de protecție a auzului

Vibrații

Valoarea totală a vibrațiilor (suma vectorilor tri-axiali) determinată conform EN60745:

Emisie de vibrații (a_{hv}): 2,5 m/s² sau mai puțin
Marjă de eroare (K): 1,5 m/s²

NOTĂ: Nivelul de vibrații declarat a fost măsurat în conformitate cu metoda de test standard și poate fi utilizat pentru compararea unei uneelte cu alta.

NOTĂ: Nivelul de vibrații declarat poate fi, de asemenea, utilizat într-o evaluare preliminară a expunerii.

⚠️ AVERTIZARE: Nivelul de vibrații în timpul utilizării reale a uneeltei electrice poate diferi de valoarea nivelului declarat, în funcție de modul în care unealta este utilizată.

⚠️ AVERTIZARE: Asigurați-vă că identificați măsurile de siguranță pentru a proteja operatorul, acestea fiind bazate pe o estimare a expunerii în condiții reale de utilizare (luând în considerare toate părțile ciclului de operare, precum timpii în care unealta a fost oprită, sau a funcționat în gol, pe lângă timpul de declanșare).

Numai pentru țările europene

Declarație de conformitate CE

Makita declară că următoarea(ele) mașină(i):

Denumirea mașinii:

Pistol de ștemuit fără fir

Model Nr./ Tip: DCG140, DCG180

Este în conformitate cu următoarele directive europene:
2006/42/EC

Sunt fabricate în conformitate cu următorul standard sau documente standardizate:

EN60745

Fișierul tehnic în conformitate cu 2006/42/CE este disponibil de la:

Makita, Jan-Baptist Vinkstraat 2, 3070, Belgia

31.12.2013



Yasushi Fukaya

Director

Makita, Jan-Baptist Vinkstraat 2, 3070, Belgia

Avertismente generale de siguranță pentru unelte electrice

⚠️ AVERTIZARE Citiți toate avertizările de siguranță și toate instrucțiunile. Nerespectarea acestor avertizări și instrucțiuni poate avea ca rezultat electrocutarea, incendiul și/sau rănirea gravă.

Păstrați toate avertismentele și instrucțiunile pentru consultări ulterioare.

AVERTISMENTE DE SIGURANȚĂ PENTRU PISTOLUL DE ȘTEMUIRE FĂRĂ FIR

1. Țineți mâinile și îmbrăcămintea departe de tijă și de zona plonjorului. În caz contrar, vă puteți prinde degetul sau hainele.
2. Asigurați-vă întotdeauna că aveți o poziție stabilă a picioarelor.
3. Țineți unealta ferm.
4. Lucrați întotdeauna în zone bine aerisite și purtați protecție corespunzătoare în conformitate cu utilizarea.
5. Citiți și respectați instrucțiunile producătorului cu privire la materialul de ștemuire sau la materialul adeziv înainte de utilizare.

PĂSTRAȚI ACESTE INSTRUCȚIUNI.

▲AVERTIZARE: NU permiteți comodității și familiarizării cu produsul (obținute prin utilizare repetată) să înlocuiască respectarea strictă a normelor de securitate pentru acest produs. FOLOSIREA INCORECTĂ sau nerespectarea normelor de securitate din acest manual de instrucțiuni poate provoca vătămări corporale grave.

Instrucțiuni importante privind siguranța pentru cartușul acumulatorului

1. Înainte de a folosi cartușul acumulatorului, citiți toate instrucțiunile și atenționările de pe (1) încărcătorul acumulatorului, (2) acumulator și (3) produsul care folosește acumulatorul.
2. Nu dezmembrați cartușul acumulatorului.
3. Dacă timpul de funcționare s-a redus excesiv, întrerupeți imediat funcționarea. Aceasta poate prezenta risc de supraîncălzire, posibile arsuri și chiar explozie.
4. Dacă electrolitul pătrunde în ochi, clătiți bine ochii cu apă curată și consultați imediat un medic. Există risc de orbire.
5. Nu scurtcircuitați cartușul acumulatorului:
 - (1) Nu atingeți bornele cu niciun material conductor.
 - (2) Evitați depozitarea cartușului acumulatorului la un loc cu alte obiecte metalice cum ar fi cuie, monede etc.
 - (3) Nu expuneți cartușul acumulatorului la apă sau ploaie.Un scurtcircuit al acumulatorului poate provoca un flux puternic de curent electric, supraîncălzire, posibile arsuri și chiar defectarea mașinii.
6. Nu depozitați mașina și cartușul acumulatorului în spații în care temperatura poate atinge sau depăși 50 °C (122 °F).

7. Nu incinerati cartușul acumulatorului chiar dacă acesta este grav deteriorat sau complet uzat. Cartușul acumulatorului poate exploda în foc.
8. Aveți grijă să nu scăpați sau să loviți acumulatorul.
9. Nu utilizați un acumulator deteriorat.
10. Acumulatorii Li-Ion încorporați se supun cerințelor Legislației privind substanțele periculoase.
Pentru transporturi comerciale, efectuate de exemplu de către părți terțe, expeditori, trebuie respectate cerințele speciale de ambalare și etichetare.
Pentru pregătirea articolului care urmează să fie expediat, este necesară consultarea unui expert în materiale periculoase. Vă rugăm să respectați, de asemenea, reglementările naționale, care pot fi mai detaliate.
Izolați sau acoperiți contactele deschise și împachetați acumulatorul în așa fel încât să nu se poată mișca în ambalaj.
11. Respectați normele naționale privind eliminarea la deșeurile a acumulatorului.
12. Utilizați acumulatoroale numai cu produsele specificate de Makita. Instalarea acumulatorilor în produse neconforme poate cauza incendii, căldură excesivă, explozii sau scurgeri de electrolit.

PĂSTRAȚI ACESTE INSTRUCȚIUNI.

▲ATENȚIE: Folosiți numai acumulatori Makita originali. Acumulatorii Makita care nu sunt originali și acumulatorii care au suferit modificări se pot aprinde, provocând incendii, leziuni corporale și daune. De asemenea, anulează garanția oferită de Makita pentru unealta și încărcătorul Makita.

Sfaturi pentru obținerea unei durate maxime de exploatare a acumulatorului

1. Încărcați cartușul acumulatorului înainte de a se descărca complet. Întrerupeți întotdeauna funcționarea mașinii și încărcați cartușul acumulatorului când observați o scădere a puterii mașinii.
2. Nu reîncărcați niciodată un acumulator complet încărcat. Supraîncărcarea va scurta durata de exploatare a acumulatorului.
3. Încărcați cartușul acumulatorului la temperatura camerei, între 10 °C - 40 °C (50 °F - 104 °F). Lăsați un acumulator fierbinte să se răcească înainte de a-l încărca.
4. Încărcați cartușul acumulatorului în cazul în care nu a fost utilizat pe o perioadă mai lungă (mai mult de șase luni).

DESCRIERE FUNCȚIONALĂ

⚠️ ATENȚIE:

- Asigurați-vă întotdeauna că mașina este oprită și cartușul acumulatorului este scos înainte de a ajusta sau verifica funcționarea mașinii.

Instalarea sau scoaterea cartușului acumulatorului

- Fig.1: 1. Indicator roșu 2. Buton 3. Cartușul acumulatorului

⚠️ ATENȚIE:

- Opriti întotdeauna unealta înainte de montarea sau demontarea cartușului de acumulator.
- Țineți ferm unealta și cartușul acumulatorului la montarea sau demontarea cartușului de acumulator. În cazul în care nu țineți ferm unealta și cartușul de acumulator, acestea vă pot aluneca din mâini, rezultând defectarea unelei și cartușului de acumulator, precum și accidentări personale.

Pentru a scoate cartușul acumulatorului, glisați-l din unealtă în timp ce glisați butonul de pe partea frontală a cartușului.

Pentru a instala cartușul acumulatorului, aliniați limba de pe cartușul acumulatorului cu canelura din carcasă și introduceți-l în locaș. Introduceți-l complet, până când se înclichetează în locaș. Dacă puteți vedea indicatorul roșu din partea superioară a butonului, acesta nu este blocat complet.

⚠️ ATENȚIE:

- Instalați întotdeauna cartușul acumulatorului complet, până când indicatorul roșu nu mai este vizibil. În caz contrar, acesta poate cădea accidental din mașină provocând rănirea dumneavoastră sau a persoanelor din jur.
- Nu forțați cartușul de acumulator la montare. Dacă acesta nu glisează ușor, înseamnă că a fost introdus incorect.

Sistemul de protecție a acumulatorului

Mașina este prevăzută cu un sistem de protecție a acumulatorului. Sistemul întrerupe automat alimentarea motorului pentru a extinde durata de viață a acumulatorului.

Mașina se va opri automat în timpul funcționării când mașina și/sau acumulatorul se află într-una din situațiile următoare.

- Suprasarcină:

Mașina este operată într-o manieră care determină atragerea unui curent de o intensitate anormal de ridicată.

În acest caz, eliberați butonul declanșator de pe mașină și opriți aplicația care a dus la suprasolicitarea mașinii. Apoi, trageți din nou butonul declanșator pentru a reporni.

Dacă mașina nu pornește, acumulatorul este supraîncălzit. În această situație, lăsați acumulatorul să se răcească înainte de a trage butonul declanșator din nou.

- Tensiune scăzută acumulator:

Capacitatea rămasă a bateriei este prea mică, iar mașina nu va funcționa. În această situație, scoateți și reincărcați acumulatorul.

NOTĂ: Protecția împotriva supraîncălzirii funcționează doar cu un cartuș de acumulator prevăzut cu un marcaj în stea.


















- Fig.2: 1. Marcaj în stea

Indicarea capacității rămase a acumulatorului

Numai pentru cartușe de acumulator cu indicator

- Fig.3: 1. Lămpi indicatoare 2. Buton de verificare

Apăsăți butonul de verificare de pe cartușul acumulatorului, astfel încât să se indice capacitățile rămase ale acumulatorului. Lămpile indicatorului vor lumina timp de câteva secunde.

Lămpi indicatoare			Capacitate rămasă
 Iluminat	 Oprit	 Iluminare intermitentă	
			între 75% și 100%
			între 50% și 75%
			între 25% și 50%
			între 0% și 25%
			Încărcați acumulatorul.
			Este posibil ca acumulatorul să fie defect.
			

NOTĂ: În funcție de condițiile de utilizare și temperatura ambientală, indicația poate fi ușor diferită de capacitatea reală.

Rondelă de reglare a vitezei

- Fig.4: 1. Rondelă de reglare a vitezei

Viteza mașinii poate fi reglată prin rotirea rondelii. Viteza mai mare este obținută atunci când rondela este poziționată în direcția numărului 5, viteza mai mică este obținută prin rotirea rondelii în direcția numărului 1.

NOTĂ:

- Rondela de reglare a vitezei poate fi rotită numai până la poziția 5 și înapoi la poziția 1. Nu forțați rondela peste pozițiile 5 sau 1, deoarece funcția de reglare a vitezei se poate defecta.
- În funcție de tipul și condițiile materialului de ștemuit, este posibil ca acesta să nu fie alimentat la viteză joasă. În acest caz, setați discul rotativ pentru reglarea vitezei la o valoare mai mare.

Lampă de avertizare suprasolicitare► **Fig.5:** 1. Lampă de avertizare

Lampa de avertizare luminează intermitent în culoarea roșie atunci când mașina este suprasolicitată. Dacă sarcina atinge un anumit punct, lampa va continua să lumineze în culoarea roșie, iar mașina se oprește. Pentru a reporni mașina, eliberați declanșatorul și trageți-l din nou.

NOTĂ: Verificați ce cauzează suprasolicitarea atunci când lampa luminează intermitent sau se aprinde. Micșorați parametrul rondelii de reglare a vitezei sau măriți diametrul duzei.

Acționarea întrerupătorului**ATENȚIE:**

- Înainte de a introduce cartușul acumulatorului în mașină, verificați întotdeauna dacă butonul declanșator funcționează corect și revine în poziția "OFF" (oprit) când este eliberat.
- Când nu folosiți mașina, apăsați butonul de blocare a butonului declanșator de pe partea A pentru a bloca butonul declanșator în poziția OFF (oprit).

► **Fig.6:** 1. Levier de blocare 2. Declanșator întrerupător

Pentru a preveni tragerea accidentală a butonului declanșator, este prevăzut butonul de blocare a butonului declanșator. Pentru a porni mașina, apăsați butonul de blocare de pe partea B și trageți de butonul declanșator. Viteza mașinii poate fi crescută prin creșterea forței de apăsare a butonului declanșator. Eliberați butonul declanșator pentru a opri unelea. După utilizare, apăsați butonul de blocare a butonului declanșator de pe partea A.

Aprinderea lămpii**ATENȚIE:**

- Nu priviți direct în raza sau în sursa de lumină.

► **Fig.7:** 1. Lampă

Trageți butonul declanșator pentru a aprinde lampa. Lampa continuă să lumineze atâta timp cât butonul declanșator este tras. Lampa se stinge automat la aproximativ 10 secunde după eliberarea butonului declanșator.

NOTĂ:

- Folosiți o cârpă curată pentru a șterge depunerile de pe lentila lămpii. Aveți grijă să nu zgâriați lentila lămpii, deoarece calitatea iluminării va fi afectată.
- În momentul în care mașina se supraîncăleşte, lampa luminează intermitent. Lăsați mașina să se răcească înainte de a o folosi din nou.

Funcție de prevenire a picurării

Motorul continuă să funcționeze o scurtă perioadă de timp, chiar și după eliberarea butonului declanșator. Acesta eliberează presiunea materialului de ștemuire și previne picurarea.

MONTARE**ATENȚIE:**

- Asigurați-vă întotdeauna că mașina este oprită și cartușul acumulatorului este scos înainte de a executa orice lucrări la mașină.
- Amplasați întotdeauna mașina pe sol sau pe bancul de lucru atunci când realizați lucrări de asamblare. Dacă nu este ținută strâns, mașina poate duce la pierderea echilibrului, cauzând accidentarea.

Instalarea articulației suportului► **Fig.8**

Atașați ferm articulația suportului de-a lungul mașinii, așezați placa și fixați-le strâns cu ajutorul șuruburilor. Pentru a demonta articulația suportului, urmați procedeele de mai sus în ordine inversă.

NOTĂ:

- Există două tipuri de suporturi (accesoriu opțional), suport scurt (300 ml) și suport lung (600 ml). Utilizați corespunzător articulația pentru suport adecvată.

Instalarea tijei și a pistonului► **Fig.9**► **Fig.10**

Introduceți tija în fanta mașinii.

Atașați pistonul și strângeți-l cu un șurub. Pentru a demonta tija și pistonul, executați în ordine inversă procedeele de montare.

NOTĂ:

- Dinții tijei trebuie să fie îndreptați în jos.
- Există trei tipuri de pistoane. Pistonul A pentru cartușe. Pistonul B pentru ambalaje de tip folie. Pistonul C pentru umplere directă.
- Alegeți pistonul corespunzător în conformitate cu tipul de recipient de material de ștemuire. Un piston necorespunzător poate cauza scurgeri sau defectarea mașinii.
- Există două tipuri de tije. Tija scurtă pentru suportul scurt (300 ml) și tija lungă pentru suportul lung (600 ml). Utilizați tija corespunzătoare în funcție de tipul suportului.
- Mențineți întotdeauna tija și pistonul curate. Materialul de ștemuire acumulat poate defecta mașina.

Instalarea suportului

► Fig.11

► Fig.12

Țineți de partea inferioară a suportului și de articulația suportului, apoi rotiți suportul în sensul acelor de ceasornic. Strângeți-l ferm până când se oprește. Asigurați-vă că suportul este strâns bine. În caz contrar, mașina se poate defecta. Pentru a îndepărta suportul, rotiți-l în sens invers acelor de ceasornic.

NOTĂ:

- Puteți roti suportul în conformitate cu situațiile necesare pentru facilitarea operării.
- Suportul scurt (300 ml) este destinat doar cartușelor. Utilizați doar pistonul A împreună cu suportul scurt (300 ml) și nu-l utilizați cu ambalaje de tip folie sau umplere directă. Utilizați de asemenea tija corespunzătoare în funcție de tipul suportului.

Instalarea cartușului

NOTĂ:

- Asigurați-vă că pistonul A este atașat la tijă. Nu utilizați alt tip de piston pentru cartuș.

Instalarea cartușului în suportul scurt (300 ml)

► Fig.13: 1. Mâner tijă

Trageți încet de mânerul tijei înapoi până când se oprește.

► Fig.14

Introduceți cartușul în suport conform ilustrației. Apăsăți ușor tija până când pistonul atinge partea inferioară a cartușului.

Pentru a înlătura cartușul, trageți tija înapoi până se oprește, apoi scoateți cartușul.

Instalarea cartușului în suportul lung (600ml)

► Fig.15: 1. Capac suport 2. Mâner tijă

Îndepărtați capacul suportului de pe suport. Trageți încet de mânerul tijei înapoi până când se oprește.

► Fig.16: 1. Capac suport

Introduceți cartușul în suport. Atașați capacul suportului. Asigurați-vă că este strâns bine.

Apăsăți ușor tija până când pistonul atinge partea inferioară a cartușului.

Pentru a îndepărta cartușul, înlăturați capacul suportului, apoi scoateți cartușul.

NOTĂ:

- Verificați întotdeauna cartușul în privința găurilor sau defecțiunilor înainte de instalare. Nu utilizați un cartuș defect deoarece puteți defecta mașina.
- Când folosiți un cartuș parțial uzat, îndepărtați orice material depus pe cartuș.

Instalarea ambalajului de tip folie

NOTĂ:

- Asigurați-vă că pistonul B este atașat la tijă. Nu utilizați alt tip de piston pentru ambalajul de tip folie.
- Ambalajul de tip folie poate fi instalat doar în suportul lung (600 ml).

Îndepărtați capacul suportului, duza și inelul de cauciuc din suport.

Trageți încet de mânerul tijei înapoi până când se oprește.

► Fig.17

Tăiați vârful ambalajului de tip film.

Introduceți ambalajul de tip folie în suport.

► Fig.18: 1. Inel din cauciuc 2. Duză 3. Capac suport

Atașați inelul de cauciuc, duza și capacul suportului.

Asigurați-vă că ați strâns bine capacul suportului.

Apăsăți ușor tija până când pistonul atinge partea inferioară a ambalajului de tip folie.

NOTĂ:

- Verificați întotdeauna ambalajul de tip folie în privința găurilor sau defecțiunilor înainte de instalare. Nu utilizați un ambalaj defect deoarece puteți defecta mașina.

Umplerea directă

NOTĂ:

- Asigurați-vă că pistonul C este atașat la tijă. Nu utilizați alt tip de piston pentru umplere directă.
- Umplerea directă poate fi efectuată doar cu suportul lung (600 ml).

Îndepărtați capacul suportului, duza și inelul de cauciuc din suport.

Asigurați-vă că mânerul tijei este așezat cât mai în față.

Înmuiiați gura suportului în materialul de ștemuire.

Trageți ușor de mânerul tijei până când suportul este umplut cu cantitatea suficientă de material de ștemuire.

Atașați inelul de cauciuc, duza și capacul suportului.

Asigurați-vă că ați strâns bine capacul suportului.

NOTĂ:

- Curățați suportul cu solvent corespunzător după fiecare zi de lucru. În caz contrar, materialul de ștemuire depus pe mașină poate cauza defectarea acesteia.

FUNCȚIONARE

⚠ATENȚIE:

- Nu atingeți tija în timpul operării. În caz contrar, degetul dumneavoastră ar putea fi prins între tijă și carcasa mașinii.
- Purtați întotdeauna ochelari în timpul operării.

NOTĂ:

- Nu acoperiți orificiile de aerisire, în caz contrar mașina se poate supraîncălzi și defecta.
- Dacă nu puteți scoate tija, rotiți rondela de reglare a vitezei la 1 și trageți de butonul declanșator pentru un timp scurt și apoi încercați să scoateți tija după oprirea motorului. Dacă tija încă este blocată, efectuați aceeași acțiune până când puteți mișca tija.

Tăiați vârful duzei potrivite pentru operația respectivă. Aveți grijă cât de mult tăiați duza. Diametrul duzei afectează cantitatea de material de ștemuire distribuită.

Trageți de butonul declanșator pentru a distribui material de ștemuire.

Cantitatea de material de ștemuire distribuită este determinată de butonul declanșator, de rondela de ajustare a vitezei, de diametrul orificiului duzei, de tipul materialului de ștemuire și de temperatură.

Este recomandat ca rondela de reglare a vitezei să fie setată la "1" și să trageți ușor butonul declanșator prima dată pentru a testa ce cantitate de material de ștemuire este distribuită.

Când tija atinge capătul frontal, motorul intră în stare inactivă. Înlocuiți materialul de ștemuire atunci când se întâmplă acest lucru.

NOTĂ: Dacă nu este distribuit material de ștemuire, verificați următoarele elemente:

- Vârful duzei nu este tăiat corespunzător. Tăiați vârful duzei corespunzător pentru operația respectivă.
- Materialul întărit înfundă duza. Îndepărtați materialul întărit.
- Cartușul este deteriorat. Înlocuiți cartușul.
- Materialul de ștemuire este excesiv de compact. Încălziți materialul până când acesta devine moale.
- Este utilizat pistonul greșit. Utilizați pistonul corespunzător.

ÎNTREȚINERE

ATENȚIE:

- Asigurați-vă întotdeauna că mașina este oprită și cartușul acumulatorului este scos înainte de a executa lucrările de inspecție și întreținere cu excepția următoarelor acțiuni de depanare legate de iluminare.
- Nu utilizați niciodată gazolină, benzină, diluant, alcool sau alte substanțe asemănătoare. În caz contrar, pot rezulta decolorări, deformări sau fisuri.
- Curățați suportul și tija cu solvent după fiecare zi de lucru. Curățați-le de material adeziv. Îndepărtați materialul de ștemuire înainte ca acesta să se întărească. Materialul adeziv rămas poate cauza defectarea mașinii.

Pentru a menține SIGURANȚA și FIABILITATEA mașinii, reparațiile, schimbarea și verificarea periilor de carbon, precum și orice alte operațiuni de întreținere sau reglare trebuie să fie efectuate numai la Centrele de service autorizat Makita, folosindu-se piese de schimb Makita.

ACCESORII OPȚIONALE

ATENȚIE:

- Folosiți accesoriile sau piesele auxiliare recomandate pentru mașina dumneavoastră în acest manual. Utilizarea oricăror alte accesorii sau piese auxiliare poate cauza vătămări. Folosiți accesoriile pentru operațiunea pentru care au fost concepute.

Dacă aveți nevoie de asistență sau de mai multe detalii referitoare la aceste accesorii, adresați-vă centrului local de service Makita.

- Pistonul A
- Pistonul B
- Pistonul C
- Set suport scurt (300 ml)
- Set suport lung (600 ml)
- Duza
- Ochelari de protecție
- Acumulator și încărcător original Makita

NOTĂ:

- Unele articole din listă pot fi incluse ca accesorii standard în ambalajul de scule. Acestea pot diferi în funcție de țară.

TECHNISCHE DATEN

Modell		DCG140		DCG180	
Max. Zuführkraft		5.000 N			
Zuführungsgeschwindigkeit		0 - 28 mm/s			
Hub	mit kurzer Halterung (300 ml)	214 mm			
	mit langer Halterung (600 ml)	350 mm			
Gesamtlänge	mit kurzer Halterung (300 ml)	404 mm			
	mit langer Halterung (600 ml)	538 mm			
Standard-Akkublock		BL 1415 / BL 1415N	BL 1430 / BL 1430B / BL 1440 / BL 1450 / BL 1460B	BL 1815 / BL 1815N / BL 1820 / BL 1820B	BL 1830 / BL 1830B / BL 1840 / BL 1840B / BL 1850 / BL 1850B / BL 1860B
Netto-Gewicht	mit kurzer Halterung (300 ml)	2,0 kg	2,2 kg	2,1 kg	2,3 kg
	mit langer Halterung (600 ml)	2,4 kg	2,6 kg	2,5 kg	2,7 kg
Nennspannung		Gleichspannung 14,4 V		Gleichspannung 18 V	

- Aufgrund der laufenden Forschung und Entwicklung unterliegen die hier aufgeführten technischen Daten Veränderungen ohne Hinweis
- Die Technischen Daten und der Akkublock können in den einzelnen Ländern abweichen.
- Gewicht, mit Akkublock, ermittelt gemäß EPTA-Verfahren 01/2003

Verwendungszweck

Dieses Werkzeug wurde zum Auftragen von Dichtmittel auf eine Fläche entwickelt.

Geräuschpegel

Die typischen A-bewerteten Geräuschpegel, bestimmt gemäß EN60745:

Schalldruckpegel (L_{pA}): 70 dB (A) oder weniger
Abweichung (K): 3 dB (A)

Unter Arbeitsbedingungen kann der Schalldruckpegel 80 dB (A) überschreiten.

Tragen Sie Gehörschutz

Schwingung

Schwingungsgesamtwerte (Vektorsumme dreier Achsen) nach EN60745:

Schwingungsbelastung (a_h): 2,5 m/s² oder weniger
Abweichung (K): 1,5 m/s²

HINWEIS: Die deklarierte Schwingungsbelastung wurde gemäß der Standardtestmethode gemessen und kann für den Vergleich von Werkzeugen untereinander verwendet werden.

HINWEIS: Die deklarierte Schwingungsbelastung kann auch in einer vorläufigen Bewertung der Gefährdung verwendet werden.

⚠️ WARNUNG: Die Schwingungsbelastung während der tatsächlichen Anwendung des Elektrowerkzeugs kann in Abhängigkeit von der Art und Weise der Verwendung des Werkzeugs vom deklarierten Belastungswert abweichen.

⚠️ WARNUNG: Stellen Sie sicher, dass Schutzmaßnahmen für den Bediener getroffen werden, die auf den unter den tatsächlichen Arbeitsbedingungen zu erwartenden Belastungen beruhen (beziehen Sie alle Bestandteile des Arbeitsablaufs ein, also zusätzlich zu den Arbeitszeiten auch Zeiten, in denen das Werkzeug ausgeschaltet ist oder ohne Last läuft).

Nur für europäische Länder

EG-Konformitätserklärung

Makita erklärt, dass die nachfolgende(n) Maschine(n):

Bezeichnung der Maschine(n):

Akku-Kartuschenpistole

Modellnr./ -typ: DCG140, DCG180

Den folgenden EG-Richtlinien entspricht:
2006/42/EC

Sie werden gemäß den folgenden Standards oder Normen gefertigt:

EN60745

Die technischen Unterlagen gemäß 2006/42/EG sind erhältlich von:

Makita, Jan-Baptist Vinkstraat 2, 3070, Belgien



Yasushi Fukaya
Direktor

Makita, Jan-Baptist Vinkstraat 2, 3070, Belgien

Allgemeine Sicherheitshinweise für Elektrowerkzeuge

⚠️ WARNUNG Lesen Sie alle Sicherheitswarnungen und -anweisungen sorgfältig durch. Werden die Warnungen und Anweisungen ignoriert, besteht die Gefahr eines Stromschlags, Brands und/oder schweren Verletzungen.

Bewahren Sie alle Warnhinweise und Anweisungen zur späteren Referenz gut auf.

SICHERHEITSHINWEISE ZUR AKKU-KARTUSCHENPISTOLE

1. Halten Sie Hände und Kleidung vom Bereich der Stange und des Kolbens fern. Andernfalls können Ihre Finger oder Kleidung eingeklemmt werden.
2. Achten Sie jederzeit auf sicheren und festen Stand.
3. Halten Sie das Werkzeug mit festem Griff.
4. Arbeiten Sie stets in einem gut belüfteten Bereich, und tragen Sie dem Vorgang angemessene Schutzkleidung.
5. Lesen Sie vor der Anwendung die Herstelleranleitungen für das Dicht- oder Klebemittel und halten Sie sie ein.

BEWAHREN SIE DIESE ANWEISUNGEN AUF.

⚠️ WARNUNG: Lassen Sie sich **NIE** durch Bequemlichkeit oder (aus fortwährendem Gebrauch gewonnener) Vertrautheit mit dem Werkzeug dazu verleiten, die Sicherheitsregeln für das Werkzeug zu missachten. Bei **MISSBRÄUHLICHER Verwendung des Werkzeugs oder Missachtung der in diesem Handbuch enthaltenen Sicherheitshinweise kann es zu schweren Verletzungen kommen.**

Wichtige Sicherheitsanweisungen für Akku

1. **Lesen Sie vor der Benutzung des Akkus alle Anweisungen und Warnhinweise, die an (1) Ladegerät, (2) Akku und (3) Akkuwerkzeug angebracht sind.**
 2. **Unterlassen Sie ein Zerlegen des Akkus.**
 3. **Falls die Betriebszeit beträchtlich kürzer geworden ist, stellen Sie den Betrieb sofort ein. Anderenfalls besteht die Gefahr von Überhitzung, möglichen Verbrennungen und sogar einer Explosion.**
 4. **Falls Elektrolyt in Ihre Augen gelangt, waschen Sie sie mit sauberem Wasser aus, und begeben Sie sich unverzüglich in ärztliche Behandlung. Anderenfalls können Sie Ihre Sehkraft verlieren.**
 5. **Der Akku darf nicht kurzgeschlossen werden:**
 - (1) **Die Kontakte dürfen nicht mit leitfähigem Material berührt werden.**
 - (2) **Lagern Sie den Akku nicht in einem Behälter zusammen mit anderen Metallgegenständen, wie z. B. Nägel, Münzen usw.**
 - (3) **Setzen Sie den Akku weder Wasser noch Regen aus.**
- Ein Kurzschluss des Akkus verursacht starken Stromfluss, der Überhitzung, mögliche Verbrennungen und einen Defekt zur Folge haben kann.**
6. **Lagern Sie das Werkzeug und den Akku nicht an Orten, an denen die Temperatur 50 °C erreichen oder überschreiten kann.**
 7. **Versuchen Sie niemals, den Akku zu verbrennen, selbst wenn er stark beschädigt oder vollkommen verbraucht ist. Der Akku kann im Feuer explodieren.**
 8. **Achten Sie darauf, dass der Akku nicht fallen gelassen oder Stößen ausgesetzt wird.**
 9. **Benutzen Sie keine beschädigten Akkus.**
 10. **Die enthaltenen Lithium-Ionen-Akkus unterliegen den Anforderungen der Gefahrgut-Gesetzgebung.**

Für kommerzielle Transporte, z. B. durch Dritte oder Spediteure, müssen besondere Anforderungen zu Verpackung und Etikettierung beachtet werden.

Zur Vorbereitung des zu transportierenden Artikels ist eine Beratung durch einen Experten für Gefahrgut erforderlich. Bitte beachten Sie möglicherweise ausführlichere nationale Vorschriften. Überkleben oder verdecken Sie offene Kontakte, und verpacken Sie den Akku so, dass er sich in der Verpackung nicht umher bewegen kann.
 11. **Befolgen Sie die örtlichen Bestimmungen bezüglich der Entsorgung von Akkus.**
 12. **Verwenden Sie die Akkus nur mit den von Makita angegebenen Produkten.** Das Einsetzen der Akkus in nicht konforme Produkte kann zu einem Brand, übermäßiger Hitzebildung, einer Explosion oder Auslaufen von Elektrolyt führen.

DIESE ANWEISUNGEN AUFBEWAHREN.

⚠ VORSICHT: Verwenden Sie nur Original-Makita-Akkus. Die Verwendung von Nicht-Original-Makita-Akkus oder von Akkus, die abgeändert worden sind, kann zum Bersten des Akkus und daraus resultierenden Bränden, Personenschäden und Beschädigung führen. Außerdem wird dadurch die Makita-Garantie für das Makita-Werkzeug und -Ladegerät ungültig.

Hinweise zur Aufrechterhaltung der maximalen Akku-Nutzungsdauer

1. Laden Sie den Akku, bevor er vollkommen erschöpft ist. Schalten Sie das Werkzeug stets aus, und laden Sie den Akku, wenn Sie ein Nachlassen der Werkzeulleistung feststellen.
2. Unterlassen Sie erneutes Laden eines voll aufgeladenen Akkus. Überladen führt zu einer Verkürzung der Nutzungsdauer des Akkus.
3. Laden Sie den Akku bei Raumtemperatur zwischen 10 – 40 °C. Lassen Sie einen heißen Akku abkühlen, bevor Sie ihn laden.
4. Der Akku muss geladen werden, wenn er lange Zeit (länger als sechs Monate) nicht benutzt wird.

FUNKTIONSBESCHREIBUNG

⚠ VORSICHT:

- Schalten Sie das Werkzeug stets aus und entfernen Sie den Akkublock, bevor Sie Einstellungen oder eine Funktionsprüfung des Werkzeugs vornehmen.

Montage und Demontage des Akkublocks

► Abb.1: 1. Rote Anzeige 2. Taste 3. Akkublock

⚠ VORSICHT:

- Schalten Sie das Werkzeug immer aus, bevor Sie den Akkublock einsetzen oder entnehmen.
- Halten Sie das Werkzeug und den Akkublock sicher fest, wenn Sie den Akkublock einsetzen oder herausnehmen. Andernfalls könnte Ihnen das Werkzeug oder der Akkublock aus den Händen fallen, sodass das Werkzeug oder der Akkublock beschädigt werden oder diese Verletzungen verursachen.

Zum Entnehmen des Akkublocks müssen Sie die Taste auf der Vorderseite des Akkublocks schieben und gleichzeitig den Akkublock aus dem Werkzeug herausziehen. Zum Einsetzen des Akkublocks müssen Sie die Zunge des Akkublocks an der Rille im Gehäuse ausrichten und in die gewünschte Position schieben. Setzen Sie den Akkublock ganz ein, bis er mit einem Klick einrastet. Wenn Sie den roten Bereich oben auf der Taste sehen können, ist der Akkublock nicht ganz eingerastet.

⚠ VORSICHT:

- Setzen Sie den Akkublock unbedingt ganz ein, bis der rote Bereich nicht mehr zu sehen ist. Andernfalls kann der Akkublock versehentlich aus dem Werkzeug fallen und Sie oder Personen in Ihrem Umfeld verletzen.
- Setzen Sie den Akkublock nicht mit Gewalt ein. Wenn der Akkublock nicht leicht hineingleitet, ist er nicht richtig angesetzt.

Akku-Schutzsystem

Das Werkzeug ist mit einem Akku-Schutzsystem ausgestattet. Dieses System schaltet die Stromversorgung des Motors automatisch aus, um die Lebensdauer des Akkus zu verlängern. Unter folgenden Bedingungen des Werkzeugs und/oder des Akkus kann das Werkzeug während des Betriebs automatisch stoppen:

- Überlastet:
 - Das Werkzeug wird auf eine Weise betrieben, die zu einer anormal hohen Stromaufnahme führt. Lassen Sie in dieser Situation den Ein/Aus-Schalter des Werkzeugs los und beenden Sie die Arbeiten, die zu der Überlastung des Werkzeugs geführt haben. Betätigen Sie anschließend den Ein/Aus-Schalter wieder, um das Werkzeug wieder in Betrieb zu nehmen. Wenn das Werkzeug nicht startet, ist der Akku überhitzt. Lassen Sie in dieser Situation den Akku erst abkühlen, bevor Sie wieder den Ein/Aus-Schalter betätigen.

- Spannung des Akkus zu niedrig:
Die noch vorhandene Akkuladung ist zu niedrig, und das Werkzeug startet nicht. Entnehmen Sie in dieser Situation den Akku und laden Sie den Akku wieder auf.

HINWEIS: Der Überhitzungsschutz arbeitet nur mit einem mit einem Stern gekennzeichneten Akkublock.

- **Abb.2:** 1. Sternmarkierung

Anzeigen der Akku-Restkapazität

Nur für Akkus mit Anzeige

- **Abb.3:** 1. Anzeigelampen 2. Prüftaste

Drücken Sie die Prüftaste am Akku, um die Akku-Restkapazität anzuzeigen. Die Anzeigelampen leuchten wenige Sekunden lang auf.

Anzeigelampen			Restkapazität
Erleuchtet	Aus	Blinkend	
			75 % bis 100 %
			50% bis 75%
			25% bis 50%
			0% bis 25%
			Den Akku aufladen.
			Möglicherweise liegt eine Funktionsstörung im Akku vor.

HINWEIS: Abhängig von den Benutzungsbedingungen und der Umgebungstemperatur kann die Anzeige geringfügig von der tatsächlichen Kapazität abweichen.

Geschwindigkeitstellrad

- **Abb.4:** 1. Geschwindigkeitsstellrad

Die Werkzeuggeschwindigkeit kann durch Drehen des Stellrads eingestellt werden. Wenn Sie das Stellrad in Richtung 5 drehen, erhöhen Sie die Geschwindigkeit. Niedrigere Geschwindigkeiten erreichen Sie, wenn Sie das Stellrad in Richtung 1 drehen.

HINWEIS:

- Das Drehzahl-Einstellrad lässt sich nur bis 5 und zurück auf 1 drehen. Wird es gewaltsam über 5 oder 1 hinaus gedreht, lässt sich die Drehzahl möglicherweise nicht mehr einstellen.
- Bei niedriger Hubzahl wird die Dichtungsmasse je nach Art und Zustand eventuell nicht zugeführt. Stellen Sie in diesem Fall das Hubzahl-Stellrad auf einen höheren Wert.

Warnlampe Überlastung

- **Abb.5:** 1. Warnlampe

Die Warnlampe blinkt rot, wenn das Werkzeug überlastet wird. Falls die Last einen bestimmten Punkt erreicht, leuchtet die Lampe rot und das Werkzeug stoppt. Zum Neustarten des Werkzeugs lösen Sie den Ein/Aus-Schalter und betätigen Sie ihn erneut.

HINWEIS: Prüfen Sie, wodurch die Überlastung verursacht wird, wenn die Lampe blinkt oder leuchtet. Verringern Sie den Parameter der Geschwindigkeit, oder vergrößern Sie den Durchmesser der Düse.

Einschalten

⚠ VORSICHT:

- Achten Sie vor dem Einsetzen des Akkublocks in das Werkzeug darauf, dass sich der Auslöseschalter korrekt bedienen lässt und beim Loslassen auf die Position "OFF" (AUS) zurückkehrt.
- Wenn das Werkzeug nicht betrieben wird, drücken Sie die Arretiertaste von der Seite A, um den Ein/Aus-Schalter in der Position OFF (AUS) zu verriegeln.

- **Abb.6:** 1. Blockierungshebel 2. Griffschalter

Damit der Ein-/Aus-Schalter nicht versehentlich betätigt wird, befindet sich am Werkzeug eine Arretiertaste. Zum Starten des Werkzeugs drücken Sie zuerst die Arretiertaste von der Seite B, und betätigen Sie den Ein/Aus-Schalter. Die Geschwindigkeit des Werkzeugs wird durch größeren Druck auf den Ein/Aus-Schalter erhöht. Lassen Sie zum Ausschalten des Werkzeugs den Ein/Aus-Schalter los. Drücken Sie die Arretiertaste nach dem Gebrauch von der Seite A.

Einschalten der Lampe

⚠ VORSICHT:

- Schauen Sie nicht direkt ins Licht oder die Lichtquelle.

- **Abb.7:** 1. Lampe

Betätigen Sie zum Einschalten der Lampe den Ein/Aus-Schalter. Solange Sie den Ein/Aus-Schalter auf gedrückt halten, leuchtet die Lampe. Die Lampe erlischt automatisch nach 10 Sekunden nach dem Loslassen des Ein/Aus-Schalters.

HINWEIS:

- Verwenden Sie für das Abwischen der Unreinheiten von der Lichtlinse einen trockenen Lappen. Achten Sie darauf, dass Sie die Lichtlinse nicht zerkratzen, dadurch kann ihre Leuchtkraft verringert werden.
- Wird das Werkzeug überhitzt, flackert die Lampe. Lassen Sie das Werkzeug vor dem weiteren Betrieb ganz abkühlen.

Tropfschutzfunktion

Der Motor bleibt für einen Moment in Betrieb, nachdem Sie den Ein/Aus-Schalter losgelassen haben. Dadurch wird der Druck vom Dichtmittel abgelassen und das Tropfen verhindert.

MONTAGE

⚠ VORSICHT:

- Schalten Sie das Werkzeug stets aus, und entfernen Sie den Akkublock, bevor Sie Arbeiten am Werkzeug ausführen.
- Legen Sie das Werkzeug stets auf dem Boden oder der Werkbank ab, wenn Sie Montagearbeiten verrichten. Wenn Sie das Werkzeug nicht richtig festhalten, können Sie die Balance verlieren und sich verletzen.

Anbringen eines Halterungsgelenks

► Abb.8

Befestigen Sie das Halterungsgelenk fest am Werkzeug, bringen Sie die Platte an und befestigen Sie alles mit den Schrauben.

Zum Entnehmen des Halterungsgelenks befolgen Sie die obige Vorgehensweise in umgekehrter Reihenfolge.

HINWEIS:

- Es gibt zwei Typen an Halterungen (Sonderzubehör: kurze (300 ml) und lang Halterung (600 ml). Verwenden Sie das entsprechende Halterungsgelenk.

Anbringen von Stange und Kolben

► Abb.9

► Abb.10

Setzen Sie die Stange in den Schlitz am Werkzeug ein. Bringen Sie den Kolben an und ziehen Sie diesen mit einer Schraube fest.

Zum Entnehmen der Stange und des Kolbens befolgen Sie die Vorgehensweise zum Einbauen in umgekehrter Reihenfolge.

HINWEIS:

- Der Zahn an der Stange muss nach unten zeigen.
- Es gibt drei Typen an Kolben: Kolben A für Kartuschen, Kolben B für Filmpackungen, Kolben C für direktes Füllen.
- Wählen Sie den entsprechenden Kolben je nach Typ des Dichtmittelbehälters. Ein ungeeigneter Kolben kann zu einem Leck oder Werkzeugbruch führen.
- Es gibt zwei Typen an Stangen. Die kurze Stange für die kurze Halterung (300 ml) und die lange Stange für die lange Halterung (600 ml). Verwenden Sie die entsprechende Stange je nach Halterung.
- Halten Sie die Stange und den Kolben stets sauber. Anhaftendes Dichtmittel kann das Werkzeug beschädigen.

Anbringen einer Halterung

► Abb.11

► Abb.12

Halten Sie die Unterseite der Halterung und des Halterungsgelenks, und drehen Sie anschließend die Halterung im Uhrzeigersinn. Ziehen Sie alles fest an. Stellen Sie sicher, dass die Halterung sicher festgezogen ist. Andernfalls kann das Werkzeug beschädigt werden. Drehen Sie zum Entfernen der Halterung diese entgegen dem Uhrzeigersinn.

HINWEIS:

- Sie können die Halterung entsprechend der jeweiligen Situation drehen, um die Bedienung zu vereinfachen.
- Die kurze Halterung (300 ml) ist nur für Kartuschen vorgesehen. Verwenden Sie mit der kurzen Halterung (300 ml) nur Kolben A und nicht Filmpackungen und kein direktes Füllen. Verwenden Sie auch die entsprechende Stange je nach Halterung.

Einsetzen der Kartusche

HINWEIS:

- Stellen Sie sicher, dass der Kolben A an der Stange befestigt ist. Verwenden Sie für eine Kartusche keinen anderen Kolbentyp.

Befestigen der Kartusche in der kurzen Halterung (300 ml)

► Abb.13: 1. Stangengriff

Ziehen Sie den Stangengriff langsam bis zum Anschlag nach hinten.

► Abb.14

Setzen Sie die Kartusche entsprechend der Abbildung ein. Drücken Sie die Stange sanft, bis der Kolben die Unterseite der Kartusche berührt.

Zum Entnehmen der Kartusche ziehen Sie die Stange bis zum Anschlag zurück und heben Sie anschließend die Kartusche heraus.

Befestigen der Kartusche in der langen Halterung (600 ml)

► Abb.15: 1. Halterungskappe 2. Stangengriff

Entfernen Sie die Halterungskappe von der Halterung. Ziehen Sie den Stangengriff langsam bis zum Anschlag nach hinten.

► Abb.16: 1. Halterungskappe

Setzen Sie die Kartusche in die Halterung ein. Bringen Sie die Halterungskappe an. Stellen Sie sicher, dass diese sicher festgezogen ist. Drücken Sie die Stange sanft, bis der Kolben die Unterseite der Kartusche berührt. Zum Entnehmen der Kartusche entfernen Sie die Halterungskappe und nehmen Sie anschließend die Kartusche heraus.

HINWEIS:

- Überprüfen Sie die Kartusche vor dem Einsetzen stets auf Einstiche oder Beschädigung. Verwenden Sie eine beschädigte Kartusche nicht, andernfalls kann das Werkzeug beschädigt werden.
- Wenn Sie eine angebrochene Kartusche verwenden, entfernen Sie alles an der Kartusche anhaftende Material.

Einsetzen einer Filmpackung

HINWEIS:

- Stellen Sie sicher, dass der Kolben B an der Stange befestigt ist. Verwenden Sie für eine Filmpackung keinen anderen Kolbentyp.
- Eine Filmpackung kann nur in die lange Halterung (600 ml) eingesetzt werden.

Entfernen Sie die Halterungskappe, die Düse und den Gummiring von der Halterung.

Ziehen Sie den Stangengriff langsam bis zum Anschlag nach hinten.

► Abb.17

Schneiden Sie die Spitze der Filmpackung ab. Setzen Sie die Filmpackung in die Halterung ein.

► Abb.18: 1. Gummiring 2. Stutzen 3. Halterungskappe

Bringen Sie den Gummiring, die Düse und die Halterungskappe an. Stellen Sie sicher, dass die Halterungskappe sicher festgezogen ist. Drücken Sie die Stange sanft, bis der Kolben die Unterseite der Filmpackung berührt.

HINWEIS:

- Überprüfen Sie die Filmpackung vor dem Einsetzen stets auf Einstiche oder Beschädigung. Verwenden Sie eine beschädigte Packung nicht, andernfalls kann das Werkzeug beschädigt werden.

Direktes Füllen

HINWEIS:

- Stellen Sie sicher, dass der Kolben C an der Stange befestigt ist. Verwenden Sie für direktes Füllen keinen anderen Kolbentyp.
- Direktes Füllen kann nur mit der langen Halterung (600 ml) ausgeführt werden.

Entfernen Sie die Halterungskappe, die Düse und den Gummiring von der Halterung.

Stellen Sie sicher, dass der Stangengriff sich an der vordersten Position befindet.

Tauchen Sie die Öffnung der Halterung in das Dichtmittel.

Ziehen Sie langsam am Stangengriff, bis die gewünschte Menge Dichtmittel in die Halterung gefüllt wurde.

Bringen Sie den Gummiring, die Düse und die Halterungskappe an. Stellen Sie sicher, dass die Halterungskappe sicher festgezogen ist.

HINWEIS:

- Reinigen Sie die Halterung nach jedem Tagwerk mit einem geeigneten Reinigungsmittel. Andernfalls kann anhaftendes Dichtmittel zum Werkzeugbruch führen.

ARBEIT

▲VORSICHT:

- Berühren Sie die Stange während des Betriebs nicht. Ihre Finger könnten sonst zwischen der Stange und dem Gehäuse des Werkzeugs eingeklemmt werden.
- Tragen Sie während des Betriebs stets eine Schutzbrille.

HINWEIS:

- Achten Sie stets darauf, dass alle Lüftungsschlitze frei sind. Andernfalls kann es zu einer Überhitzung und damit zu einer Beschädigung des Werkzeugs kommen.
- Falls Sie die Stange nicht herausziehen können, drehen Sie das Einstellrad für die Geschwindigkeit auf 1, betätigen Sie den Schalter für einen Moment und versuchen Sie, die Stange nach dem Stoppen des Motors herauszuziehen. Falls die Stange immer noch feststeckt, wiederholen Sie diesen Vorgang, bis sich die Stange bewegen lässt.

Schneiden Sie die Spitze der Düse passend für die Verarbeitung ab. Achten Sie darauf, wie viel Sie von der Düse abschneiden. Der Durchmesser der Düse beeinflusst die abgegebene Dichtmittelmenge.

Betätigen Sie den Schalter, um Dichtmittel abzugeben. Die Menge des abgegebenen Dichtmittels wird über den Schalter, das Einstellrad für die Geschwindigkeit, den Durchmesser der Düsenöffnung, den Dichtmitteltyp und die Temperatur bestimmt.

Es wird empfohlen, das Einstellrad für die Geschwindigkeit auf '1' zu stellen und den Schalter zu Beginn langsam zu betätigen, um zu testen, wie viel Dichtmittel abgegeben wird.

Wenn die Stange das vordere Ende erreicht, wechselt der Motor in den Leerlauf. Tauschen Sie in diesem Fall das Dichtmittel aus.

HINWEIS: Falls kein Dichtmittel abgegeben wird, überprüfen Sie folgendes:

- Die Düsenspitze wurde nicht richtig aufgeschnitten. Schneiden Sie die Spitze der Düse passend für die Verarbeitung ab.
- Ausgehärtetes Material hat die Düse verstopft. Entfernen Sie das ausgehärtete Material.
- Die Kartusche ist beschädigt. Tauschen Sie die Kartusche aus.
- Das Dichtmittel ist steif. Erwärmen Sie das Material, bis es weich wird.
- Der falsche Kolben wird verwendet. Verwenden Sie den geeigneten Kolben.

WARTUNG

⚠ VORSICHT:

- Schalten Sie das Werkzeug stets aus und entfernen Sie den Akkublock, bevor Sie Inspektionen oder Wartungsarbeiten am Werkzeug vornehmen, außer bei der folgenden Maßnahme zur Fehlerbehebung des Lichtes.
- Verwenden Sie zum Reinigen niemals Kraftstoffe, Benzin, Verdünnern, Alkohol oder ähnliches. Dies kann zu Verfärbungen, Verformungen oder Rissen führen.
- Reinigen Sie die Halterung und den Kolben nach jedem Tagwerk. Halten Sie diese frei von Klebemitteln. Entfernen Sie das Dichtmittel, bevor es hart wird. Verbleibendes Klebemittel kann das Werkzeug zerbrechen.

Zur Aufrechterhaltung der SICHERHEIT und ZUVERLÄSSIGKEIT des Produkts müssen die Reparaturen, die Kontrolle und der Wechsel der Kohlen sowie alle Wartungen und Einstellungen von den autorisierten Servicestellen der Firma Makita und unter Verwendung der Ersatzteile von Makita durchgeführt werden.

SONDERZUBEHÖR

⚠ VORSICHT:

- Für Ihr Werkzeug Makita, das in dieser Anleitung beschrieben ist, empfehlen wir folgende Zubehörteile und Aufsätze zu verwenden. Bei der Verwendung anderer Zubehörteile oder Aufsätze kann die Verletzungsgefahr für Personen drohen. Die Zubehörteile und Aufsätze dürfen nur für ihre festgelegten Zwecke verwendet werden.

Wenn Sie nähere Informationen bezüglich dieses Zubehörs benötigen, wenden Sie sich bitte an Ihre örtliche Servicestelle der Firma Makita.

- Kolben A
- Kolben B
- Kolben C
- Kurze Halterung (300 ml)
- Lange Halterung (600 ml)
- Düse
- Schutzbrille
- Originalakku und Ladegerät von Makita

HINWEIS:

- Einige der in der Liste aufgeführten Elemente sind dem Werkzeugpaket als Standardzubehör beigelegt. Diese können in den einzelnen Ländern voneinander abweichen.

RÉSZLETES LEÍRÁS

Modell		DCG140		DCG180	
Maximális felszívási erő		5000 N			
Felszívási sebesség		0 - 28 mm/s			
Löket	rövid (300 ml) dugattyútartóval	214 mm			
	hosszú (600 ml) dugattyútartóval	350 mm			
Teljes hossz	rövid (300 ml) dugattyútartóval	404 mm			
	hosszú (600 ml) dugattyútartóval	538 mm			
Szabványos akkumulátor		BL 1415 / BL 1415N	BL 1430 / BL 1430B / BL 1440 / BL 1450 / BL 1460B	BL 1815 / BL 1815N / BL 1820 / BL 1820B	BL 1830 / BL 1830B / BL 1840 / BL 1840B / BL 1850 / BL 1850B / BL 1860B
Tiszta tömeg	rövid (300 ml) dugattyútartóval	2,0 kg	2,2 kg	2,1 kg	2,3 kg
	hosszú (600 ml) dugattyútartóval	2,4 kg	2,6 kg	2,5 kg	2,7 kg
Névleges feszültség		14,4 V, egyenáram		18 V, egyenáram	

- Folyamatos kutató- és fejlesztőprogramunk eredményeként az itt felsorolt tulajdonságok figyelmeztetés nélkül megváltozhatnak.
- A műszaki adatok és az akkumulátor országokként változhatnak.
- Súly az akkumulátorral, a 01/2003 EPTA eljárás szerint meghatározva

Rendeltetésszerű használat

Ez az eszköz szigetelőanyag felvitelére szolgál.

Zaj

A tipikus A-súlyozású zajszint, a EN60745 szerint meghatározva:

Hangnyomásszint (L_{pA}): 70 dB (A) vagy kevesebb
Tűrés (K): 3 dB (A)

A zajszint a munkavégzés során meghaladhatja a 80 dB (A) értéket.

Viseljen fülvédőt

Vibráció

A vibráció teljes értéke (háromtengelyű vektorösszeg) EN60745 szerint meghatározva:

Rezgéskibocsátás (a_h): 2,5 m/s² vagy kevesebb
Tűrés (K): 1,5 m/s²

MEGJEGYZÉS: A rezgéskibocsátás értéke a szabványos vizsgálati eljárásnak megfelelően lett mérve, és segítségével az elektromos kéziszerszámok összehasonlíthatók egymással.

MEGJEGYZÉS: A rezgéskibocsátás értékének segítségével előzetesen megbecsülhető a rezgésnek való kitettség mértéke.

▲ FIGYELMEZTETÉS: A szerszám rezgéskibocsátása egy adott alkalmazásnál eltérhet a megadott értéktől a használat módjától függően.

▲ FIGYELMEZTETÉS: Határozza meg a kezelő védelmét szolgáló munkavédelmi lépéseket, melyek az adott munkafeltételek melletti vibrációs hatás becslött mértékén alapulnak (figyelembe véve a munkaciklus elemeit, mint például a gép leállításának és üresjáratának mennyiségét az elindítások száma mellett).

Csak európai országokra vonatkozóan

EK Megfelelőségi nyilatkozat

A Makita kijelenti, hogy az alábbi gép(ek):

Gép megnevezése:

Vezeték nélküli szigetelőpisztoly

Típusszám/típus: DCG140, DCG180

Megfelel a következő Európai direktíváknak:

2006/42/EC

Gyártása a következő szabványoknak, valamint szabványosított dokumentumoknak megfelelően történik:
EN60745

A műszaki leírás a 2006/42/EK előírásainak megfelelően elérhető innen:

Makita, Jan-Baptist Vinkstraat 2, 3070, Belgium

31.12.2013



Yasushi Fukaya
Igazgató

Makita, Jan-Baptist Vinkstraat 2, 3070, Belgium

A szerszámgepekre vonatkozó általános biztonsági figyelmeztetések

▲FIGYELEM Olvassa el az összes biztonsági figyelmeztetést és utasítást. Ha nem tartja be a figyelmeztetéseket és utasításokat, akkor áramütést, tüzet és/vagy súlyos sérülést okozhat.

Őrizzen meg minden figyelmeztetést és utasítást a későbbi tájékozódás érdekében.

VEZETÉK NÉLKÜLI SZIGETELŐPISZTOLYRA VONATKOZÓ BIZTONSÁGI FIGYELMEZTETÉSEK

1. Tartsa távol kezét és ruháját a nyomópalcától és munkaterülettől. Ellenkező esetben előfordulhat, hogy az ujjja vagy ruhája becsipődik.
2. Mindig stabil helyzetben dolgozzon.
3. Erősen fogja a szerszámot.
4. Jól szellőztetett helyen dolgozzon, és mindig viseljen a műveletnek megfelelő védőfelszerelést.
5. Használat előtt olvassa el és tartsa be a gyártó szigetelőanyaggal és ragasztóanyaggal kapcsolatos utasításait.

ŐRIZZE MEG EZEKET AZ UTASÍTÁSOKAT.

▲FIGYELMEZTETÉS: NE HAGYJA, hogy a kényelem vagy a termék (többszöri használatból adódó) mind alaposabb ismerete váltsa fel az adott termékre vonatkozó biztonsági előírások szigorú betartását. A **HELYTELEN HASZNÁLAT** és a használati útmutatóban szereplő biztonsági előírások megszegése súlyos személyi sérülésekhez vezethet.

Fontos biztonsági utasítások az akkumulátorra vonatkozóan

1. Az akkumulátor használata előtt tanulmányozza át az akkumulátortöltőn (1), az akkumulátoron (2) és az akkumulátorral működtetett terméken (3) olvasható összes utasítást és figyelmeztető jelzést.
2. Ne szerelje szét az akkumulátort.
3. Ha a működési idő nagyon lerövidült, azonnal hagyja abba a használatot. Ez a túlmelegedés, esetleges égések és akár robbanás veszélyével is járhat.
4. Ha elektrolit kerül a szemébe, mossa ki azt tiszta vízzel és azonnal kérjen orvosi segítséget. Ez a látásának elvesztését okozhatja.
5. Ne zárja rövidre az akkumulátort:
 - (1) Ne érjen az érintkezőkhöz elektromosan vezető anyagokkal.

- (2) Ne tárolja az akkumulátort más fémtárgyakkal, mint pl. szegekkel, érmekkel, stb. egy helyen.
- (3) Ne tegye ki az akkumulátort víznek vagy esőnek.

Az akkumulátor rövidzárlata nagy áramerősséget, túlmelegedést, égéseket, sőt akár meghibásodást is okozhat.

6. Ne tárolja a szerszámot vagy az akkumulátort olyan helyen, ahol a hőmérséklet elérheti vagy meghaladhatja az 50 °C-ot (122 °F).
7. Ne égesse el az akkumulátort még akkor sem, ha az komolyan megsérült vagy teljesen elhasznált. Az akkumulátor a tűzben felrobbanhat.
8. Vigyázzon, nehogy leejtse vagy megüsse az akkumulátort.
9. Ne használjon sérült akkumulátort.
10. A készülékben található lítium-ion akkumulátorokra a veszélyes árukkal kapcsolatos előírások vonatkoznak.

A termék pl. harmadik felek, fuvarozó cégek stb. által történő szállítása esetén minden esetben tartsa szem előtt a csomagoláson és a címkén található speciális követelményeket.

A termék szállításra történő felkészítése esetén vegye fel a kapcsolatot egy veszélyes anyagokkal foglalkozó szakemberrel. Kérjük, hogy az esetlegesen szigorúbb nemzeti előírásokat is vegye figyelembe.

Ragassza le a kiálló érintkezőket, illetve oly módon csomagolja be az akkumulátort, hogy az ne tudjon elmozdulni a csomagolásban.
11. Az akkumulátor ártalmatlanításakor tartsa be a helyi előírásokat.
12. Az akkumulátorokat csak a Makita által megjelölt termékekhez használja. Ha az akkumulátorokat azokkal nem kompatibilis termékekbe helyezi, az tűzhez, túlmelegedéshez, robbanáshoz vagy elektrolízisvízvárgáshoz vezethet.

ŐRIZZE MEG EZEKET AZ UTASÍTÁSOKAT.

▲VIGYÁZAT: Csak eredeti Makita akkumulátorokat használjon. A nem eredeti Makita akkumulátorok vagy módosított akkumulátorok használata esetén az akkumulátor felrobbanhat, ami tüzet, személyi sérülést és anyagi kárt okozhat. A Makita szerszámszámra és töltőre vonatkozó Makita garanciát is érvénytelenítheti.

Tippek az akkumulátor maximális élettartamának eléréséhez

1. Töltse fel az akkumulátort, mielőtt teljesen lemerülne. Állítsa le a gépet, és töltsé fel az akkumulátort, ha a gép erejének csökkenését észleli.
2. Soha ne töltsé újra a teljesen feltöltött akkumulátort. A túltöltés csökkenti az akkumulátor élettartamát.
3. Töltsé az akkumulátort szobahőmérsékleten, 10 °C - 40 °C (50 °F - 104 °F) között. Töltés előtt hagyja lehűlni a főforrósodott akkumulátort.
4. Töltsé fel az akkumulátort, ha hosszabb ideje (több mint hat hónapja) nem használta azt.

MŰKÖDÉSI LEÍRÁS

⚠ VIGYÁZAT:

- Minden esetben ellenőrizze, hogy a szerszám ki van kapcsolva és az akkumulátor eltávolításra került mielőtt beállít vagy ellenőriz valamilyen funkciót a szerszámon.

Az akkumulátor behelyezése és eltávolítása

► **Ábra1:** 1. Piros jelölés 2. Gomb 3. Akkumulátor

⚠ VIGYÁZAT:

- Mindig kapcsolja ki az eszközt, mielőtt behelyezi vagy eltávolítja az akkumulátort.
- Az akkumulátor behelyezésekor vagy eltávolításakor erősen fogja meg a szerszámot és az akkumulátort. Ha nem fogja erősen a szerszámot és az akkumulátort, azok kicsúszhatnak a kezei közül, ami a szerszám és az akkumulátor károsodásához, de akár személyi sérüléshez is vezethet.

Az akkumulátoregység kivételéhez nyomja be az akkumulátoregység elején található gombot, és tolja ki az egységet.

Az akkumulátor beszereléséhez illessze az akkumulátor nyelvét a burkolaton található vágatba és csúsztassa a helyére. Egészen addig tolja be, amíg egy kis kattánással a helyére nem ugrik. Ha látható a piros jelölés a gomb felső oldalán, akkor a gomb nem kattant be teljesen.

⚠ VIGYÁZAT:

- Mindig tolja be teljesen az akkumulátort, amíg a piros jelölés el nem tűnik. Ha ez nem történik meg, akkor az akkumulátor kieshet a szerszámból, és Önnek vagy a környezetében másnak sérülést okozhat.
- Ne erőltesse be az akkumulátort. Ha az akkumulátor nem csúszik be könnyedén, akkor nem megfelelően lett behelyezve.

Akkumulátor védőrendszer

A szerszám akkumulátorvédő rendszerrel van felszerelve. A rendszer automatikusan lekapcsolja a motor áramellátását, így megnöveli az akkumulátor élettartamát.

A szerszám használat közben automatikusan leáll, ha a szerszám és/vagy az akkumulátor a következő helyzetbe kerül:

- Túlterhelés:

A szerszámot úgy működteti, hogy az szokatlanul erős áramot vesz fel. Ilyenkor engedje fel a szerszám kioldókapcsolóját és állítsa le azt az alkalmazást, amelyik a túlterhelést okozza. Ezután húzza meg ismét a kioldókapcsolót, és indítsa újra a szerszámot.

Ha a szerszám nem indul el, az akkumulátor túlhevült. Ilyenkor hagyja kihűlni az akkumulátort, mielőtt ismét meghúzná a kioldókapcsolót.

- Az akkumulátor töltöttsége alacsony:

Az akkumulátor fennmaradó töltöttsége túl alacsony, a szerszámot nem tudja működtetni. Ilyenkor távolítsa el, és töltsse fel az akkumulátort.

MEGJEGYZÉS: A túlmelegedés elleni védelem csak csillag jelzésű akkumulátorral működik.

► **Ábra2:** 1. Csillag jelzés

Az akkumulátor töltöttségének jelzése

Csak állapotjelzős akkumulátorok esetén

► **Ábra3:** 1. Jelzőlámpák 2. Check (ellenőrzés) gomb

Nyomja meg az ellenőrzőgombot, hogy az akkumulátortöltöttség-jelző megmutassa a hátralévő akkumulátor-kapacitást. Ekkor a töltöttség-szint-jelző lámpák néhány másodpercre kigyulladnak.

Jelzőlámpák			Töltöttségi szint
Világító lámpa	KI	Villogó lámpa	
			75%-tól 100%-ig
			50%-tól 75%-ig
			25%-tól 50%-ig
			0%-tól 25%-ig
			Töltsse fel az akkumulátort.
			Lehetséges, hogy az akkumulátor meghibásodott.

MEGJEGYZÉS: Az adott munkafeltételektől és a környezet hőmérsékletétől függően a jelzett töltöttségi szint némileg eltérhet a tényleges töltöttségi szinttől.

Sebességszabályozó tárcsa

► **Ábra4:** 1. Sebességszabályozó tárcsa

A szerszám sebessége a sebességszabályozó tárcsa elforgatásával állítható be. A tárcsát az 5-ös szám irányába fordítva a sebesség nő, az 1-es szám irányába fordítva csökken.

MEGJEGYZÉS:

- A sebességszabályozó tárcsa csak a 5 számmal fordítható el, visszafelé pedig az 1-ig. Ne erőltesse azt a 5 vagy 1 jelzéseken túl, mert a sebességszabályozó funkció nem fog tovább működni.
- A tömítőanyag típusától és állapotától függően előfordulhat, hogy nem lehet lassan kinyomni azt. Ebben az esetben fordítsa a fordulatszám-szabályozó tárcsát magasabb fokozatra.

Túlterheltséget jelző lámpa

► Ábra5: 1. Figyelmeztető lámpa

A jelzőlámpa pirosan villog, ha a szerszám túl van terhelve. Ha a terhelés eléri egy pontot, a lámpa folyamatosan pirosan világít, és a szerszám leáll. A szerszám újraindításához engedje fel, majd húzza meg újra a kioldókapcsolót.

MEGJEGYZÉS: Ellenőrizze, hogy mi okozza a túlterhelést, ha a jelzőlámpa villog vagy felgyullad. Csökkentse a szerszám sebességét lefelé csavarva a sebességszabályozó tárcsát, vagy növelje meg a fűvóka átmérőjét.

A kapcsoló használata

▲ VIGYÁZAT:

- Mielőtt behelyezi az akkumulátort a szerszámba, mindig ellenőrizze, hogy a kioldókapcsoló hibátlanul működik és az "OFF" állásba áll felengedéskor.
- Ha nem használja a szerszámot, nyomja meg a kioldókapcsoló reteszelőgombját az A oldalról a kioldókapcsoló OFF (KI) állásban történő reteszeléséhez.

► Ábra6: 1. Zárretesz 2. Kioldókapcsoló

A kioldókapcsoló véletlen meghúzásának elkerülésére egy reteszelőgomb van felszerelve.

A szerszám bekapcsolásához nyomja meg a kioldókapcsoló reteszelőgombját a B oldalról, majd húzza meg a kioldókapcsolót. A szerszám fordulatszama a kioldókapcsolóra gyakorolt erő növelésével nő. A leállításához engedje fel a kioldókapcsolót.

A használat befejezése után nyomja be a reteszelőgombot az A oldalról.

A lámpa felkapcsolása

▲ VIGYÁZAT:

- Ne tekintsen a fénybe vagy ne nézze egyenesen a fényforrást.

► Ábra7: 1. Lámpa

Húzza meg a kioldókapcsolót a lámpa bekapcsolásához. A lámpa addig világít, amíg a kioldókapcsoló be van húzva. A lámpa a kioldókapcsoló felengedését követően 10 másodperccel elalszik.

MEGJEGYZÉS:

- Használjon száraz rongyot a lámpa lencséin lévő szennyeződés eltávolításához. Ügyeljen arra hogy ne karcolja meg a lámpa lencséit, ez csökkentheti a megvilágítás erősségét.
- Ha a szerszám túlmelegszik, a lámpa elkezd villogni. Teljesen hűtse le a szerszámot mielőtt újrahasználná.

Csepegést megelőző funkció

A motor rövid ideig még jár a kioldókapcsoló felengedése után. Így kiengedi a nyomást a szigetelőanyagról és megakadályozza annak csöpögését.

ÖSSZESZERELÉS

▲ VIGYÁZAT:

- Minden esetben ellenőrizze, hogy a szerszám ki van kapcsolva és az akkumulátor eltávolításra került mielőtt bármilyen műveletet végez a szerszámon.
- Mindig helyezze a szerszámot a földre vagy egy munkapadra, ha bármilyen szerelési munkát végez. Ha nem tartja a szerszámot szorosan, kibillenhet az egyensúlyból és sérülést okozhat.

A dugattyútartó csatlakozójának felszerelése

► Ábra8

Szerelje fel a dugattyútartó csatlakozóját szilárdan a szerszámba, helyezze fel a lemezt és rögzítse szorosan a csavarokkal.

A dugattyútartó csatlakozójának eltávolításához kövesse a felhelyezési eljárást fordított sorrendben.

MEGJEGYZÉS:

- Kétféle dugattyútartó kapható (opcionális kiegészítők), rövid dugattyútartó (300 ml) és hosszú dugattyútartó (600 ml). Használjon a megfelelő dugattyútartó csatlakozót.

A nyomópálca és a dugattyú felszerelése

► Ábra9

► Ábra10

Helyezze a nyomópalcát a szerszámon található nyílásba. Szerelje fel a dugattyút és rögzítse csavarral.

A nyomópálca és a dugattyú eltávolításához kövesse a felszerelési eljárást fordított sorrendben.

MEGJEGYZÉS:

- A nyomópálca fogazatának lefelé kell mutatnia.
- Háromféle típusú dugattyú létezik. A dugattyú a patronok számára. B dugattyú fóliás csomagokhoz. C dugattyú közvetlen feltöltéshez.
- Válassza ki a szigetelőanyag típusának megfelelő dugattyút. A nem megfelelő dugattyú használata szivárgást vagy a szerszám eltörését eredményezheti.
- Kétféle típusú nyomópálca létezik. Rövid nyomópálca a rövid dugattyútartóhoz (300 ml) és hosszú nyomópálca a hosszú dugattyútartóhoz (600 ml). Használjon a dugattyútartó típusának megfelelő nyomópalcát.
- A nyomópalcát és a dugattyút mindig tartsa tisztán. A beszáradt szigetelőanyag a szerszám károsodását okozhatja.

A dugattyútartó felszerelése

► Ábra11

► Ábra12

Illesse össze a dugattyútartó és a csatlakozó alját, majd fordítsa el a dugattyútartót az óramutató járásával egyező irányba. Húzza meg erősen, amíg csak lehetséges.

Győződjön meg róla, hogy a dugattyútartó szilárdan rögzítve van. Különbön a szerszám megsérülhet. A dugattyútartó eltávolításához forgassa el azt az óramutató járásával ellenkező irányba.

MEGJEGYZÉS:

- Elforgathatja a dugattyútartót, ha a helyzet megköveteli a művelet megkönnyítése érdekében.
- A rövid dugattyútartó (300 ml) kizárólag patronokhoz használható. Csak A típusú dugattyút használjon rövid dugattyútartóval (300 ml), és ne használja a fóliás csomagolású anyagokhoz kialakított vagy a közvetlen feltöltésű dugattyút. Használjon a dugattyútartó típusának megfelelő nyomópálcát.

Patron behelyezése

MEGJEGYZÉS:

- Ellenőrizze, hogy az A dugattyú legyen csatlakoztatva a nyomópálcához. Ne használjon más típusú dugattyút patronokhoz.

A patron behelyezése a rövid dugattyútartóba (300 ml)

► **Ábra13:** 1. Nyomópálca fogantyúja

Lassan húzza hátra a nyomópálca fogantyúját, ameddig lehetséges.

► **Ábra14**

Helyezze be a patronra a tartóba az ábra szerint. Nyomja be óvatosan a nyomópálcát, amíg a dugattyú el nem éri a patron alját.

A patron eltávolításához, húzza hátra a nyomórudat, amíg lehetséges, majd emelje ki a patronra.

A patron behelyezése a hosszú dugattyútartóba (600 ml)

► **Ábra15:** 1. Dugattyútartó kupakja 2. Nyomópálca fogantyúja

Távolítsa el a dugattyútartó kupakját.

Lassan húzza hátra a nyomópálca fogantyúját, ameddig lehetséges.

► **Ábra16:** 1. Dugattyútartó kupakja

Helyezze be a patronra a tartóba.

Szerelje fel a kupakot. Ügyeljen arra, hogy szilárdan meg legyen húzva.

Nyomja be óvatosan a nyomópálcát, amíg a dugattyú el nem éri a patron alját.

A patron eltávolításához, távolítsa el a kupakot, majd vegye ki a patronra.

MEGJEGYZÉS:

- Mindig ellenőrizze behelyezése előtt, hogy nem található-e lyuk vagy sérülés a patronon. Ne használjon sérült patronra, mert ez a szerszám károsodásához vezethet.
- Ha használt patronra szeretne behelyezni, távolítson el minden beszáradt anyagot.

Fóliás csomagolású anyagok behelyezése

MEGJEGYZÉS:

- Ellenőrizze, hogy a B dugattyú legyen csatlakoztatva a nyomópálcához. Ne használjon más típusú dugattyút fóliás csomagolású anyagokhoz.
- Fóliás csomagolású anyagok csak a hosszú dugattyútartóba (600 ml) helyezhetők be.

Távolítsa el a kupakot, a fűvókát és a gumigyűrűt a dugattyútartóról.

Lassan húzza hátra a nyomópálca fogantyúját, ameddig lehetséges.

► **Ábra17**

Vágja le a fóliás csomagolás sarkát.

Helyezze be a csomagot a dugattyútartóba.

► **Ábra18:** 1. Gumigyűrű 2. Fűvóka 3. Dugattyútartó kupakja

Szerelje vissza a gumigyűrűt, a fűvókát és a kupakot a dugattyútartóra. Ügyeljen arra, hogy a kupak szilárdan meg legyen húzva.

Nyomja be óvatosan a nyomópálcát, amíg a dugattyú el nem éri a csomagolás alját.

MEGJEGYZÉS:

- Mindig ellenőrizze behelyezés előtt, hogy nem található-e lyuk vagy sérülés a csomagoláson. Ne használjon sérült csomagolású anyagot, mert ez a szerszám károsodásához vezethet.

Közvetlen feltöltés

MEGJEGYZÉS:

- Ellenőrizze, hogy a C dugattyú legyen csatlakoztatva a nyomópálcához. Ne használjon más típusú dugattyút a közvetlen feltöltéshez.
- Közvetlen feltöltés csak hosszú dugattyútartóval (600 ml) lehetséges.

Távolítsa el a kupakot, a fűvókát és a gumigyűrűt a dugattyútartóról.

Győződjön meg róla, hogy a nyomópálca fogantyúja elülső helyzetben van.

Mártsa dugattyútartó száját a szigetelőanyagba.

Húzza ki lassan nyomópálca fogantyúját, amíg a megfelelő mennyiségű szigetelőanyag nem kerül a dugattyútartóba.

Szerelje vissza a gumigyűrűt, a fűvókát és a kupakot a dugattyútartóra. Ügyeljen arra, hogy a kupak szilárdan meg legyen húzva.

MEGJEGYZÉS:

- Munka után mindig tisztítsa meg a dugattyútartót megfelelő oldószerrel. Ellenkező esetben a beszáradt szigetelőanyag a szerszám eltöréséhez vezethet.

ÜZEMELTETÉS

VIGYÁZAT:

- Használat közben ne érjen a nyomópálcahoz. Ellenkező esetben az ujjá beszorulhat a nyomópálca és a szerszám háza közé.
- Használat közben mindig viseljen védőszemüveget.

MEGJEGYZÉS:

- Ne takarja el a szellőzőnyílásokat, mert az a szerszám túlmelegedéséhez és károsodásához vezethet.
- Ha nem tudja kihúzni a nyomórudat, fordítsa el a sebességszabályozó tárcsát az 1-es irányába, és nyomja meg a kioldókapcsolót egy pillanatra, majd próbálja meg kihúzni a nyomórudat miután a motor leállt. Ha a nyomópálca még mindig be van ragadva, végezze el ugyanezt a műveletet, amíg a nyomópálca mozgatható lesz.

A fűvóka végét levágva egyedi igényeknek megfelelően használhatja a szerszámot. Ügyeljen arra, hogy mekkora részt vág le a fűvókából. A fűvóka átmérője befolyásolja az adagolt szigetelőanyag mennyiségét.

Húzza meg a kioldókapcsolót a szigetelőanyag adagolásához.

Az adagolt szigetelőanyag mennyiségét a kioldókapcsoló, a sebességszabályozó tárcsa beállítása, a fűvóka nyílásának átmérője, a szigetelőanyag típusa és a hőmérséklet befolyásolja.

Javasoljuk, hogy első alkalommal a sebességszabályozó tárcsát állítsa 1-esre, és óvatosan húzza meg a kioldókapcsolót, hogy lássa mennyi szigetelőanyagot tud adagolni.

Amikor a nyomópálca eléri a dugattyú elejét a motor üresjáratba vált. Ebben az esetben a szigetelőanyag utántöltése szükséges.

MEGJEGYZÉS: Ha nem tud szigetelőanyagot adagolni, ellenőrizze a következőket:

- A fűvóka hegye megfelelően van levágva. A fűvóka végét levágva egyedi igényeknek megfelelően használhatja a szerszámot.
- A fűvóka eltömődött a beszáradt anyag miatt. Távolítsa el a beszáradt anyagot.
- A patron sérült. Cserélje ki a patron.
- A szigetelőanyag megdermedt. Melegítse fel az anyagot, amíg meglágyul.
- Rossz dugattyút használ. Használjon megfelelő dugattyút.

KARBANTARTÁS

VIGYÁZAT:

- Minden esetben ellenőrizze, hogy a szerszám ki van kapcsolva és az akkumulátor eltávolításra került mielőtt átvizsgálja a szerszámot vagy annak karbantartását végzi, kivéve a következő, a lámpával kapcsolatos hibaelhárítást.
- Soha ne használjon gázolajt, benzint, hígítót, alkoholt vagy hasonló anyagokat. Ezek elszíneződést, alakvesztést vagy repedést okozhatnak.
- Munka után mindig tisztítsa meg a dugattyú-útartót és a nyomópalcát. Ügyeljen rá, hogy ne érintkezzenek ragasztóanyaggal. Távolítsa el a szigetelőanyagot, mielőtt megkeményedik. A visszamaradt ragasztóanyag az eszköz eltérésehez vezethet.

A termék BIZTONSÁGÁNAK és MEGBÍZHATÓSÁGÁNAK fenntartásához, a javításokat, a szénkefék ellenőrzését és cseréjét, bármilyen egyéb karbantartást vagy beszabályozást a Makita Autorizált Szervizközpontoknak kell végrehajtaniuk, mindig Makita pótkatrárszek használatával.

OPCIONÁLIS KIEGÉSZÍTŐK

VIGYÁZAT:

- Ezek a tartozékok vagy kellékek ajánlottak az Önnek ebben a kézikönyvben leírt Makita szerszámához. Bármely más tartozék vagy kellék használata személyes veszélyt vagy sérülést jelenthet. A tartozékot vagy kelléket használja csupán annak kifejezett rendeltetésére.

Ha bármilyen segítségre vagy további információkra van szüksége ezekkel a tartozékokkal kapcsolatban, keresse fel a helyi Makita Szervizközpontot.

- A dugattyú
- B dugattyú
- C dugattyú
- Rövid dugattyúútartó (300 ml) készlet
- Hosszú dugattyúútartó (600 ml) készlet
- Szívófej
- Védőszemüveg
- Eredeti Makita akkumulátor és töltő

MEGJEGYZÉS:

- A listán felsorolt néhány kiegészítő megtalálható az eszköz csomagolásában standard kiegészítőként. Ezek országonként eltérőek lehetnek.

TECHNICKÉ ÚDAJE

Model		DCG140		DCG180	
Maximálna sila vytlačania		5000 N			
Rýchlosť vytlačania		0 - 28 mm/s			
Dĺžka pohybu	s krátkym (300 ml) držiakom	214 mm			
	s dlhým (600 ml) držiakom	350 mm			
Celková dĺžka	s krátkym (300 ml) držiakom	404 mm			
	s dlhým (600 ml) držiakom	538 mm			
Štandardný akumulátor		BL1415 / BL1415N	BL1430 / BL1430B / BL1440 / BL1450 / BL1460B	BL1815 / BL1815N / BL1820 / BL1820B	BL1830 / BL1830B / BL1840 / BL1840B / BL1850 / BL1850B / BL1860B
Hmotnosť netto	s krátkym (300 ml) držiakom	2,0 kg	2,2 kg	2,1 kg	2,3 kg
	s dlhým (600 ml) držiakom	2,4 kg	2,6 kg	2,5 kg	2,7 kg
Menovité napätie		Jednosmerný prúd 14,4 V		Jednosmerný prúd 18 V	

- Vzhľadom k neustálemu výskumu a vývoju tu uvedené technické údaje podliehajú zmenám bez upozornenia.
- Technické špecifikácie a typ akumulátora sa môžu v rámci jednotlivých krajín líšiť.
- Hmotnosť s akumulátorom podľa postupu EPTA 01/2003

Určené použitie

Toto náradie je určené na povrchovú aplikáciu tesniaceho/škárovacieho materiálu.

Hluk

Typická hladina akustického tlaku pri záťaži A určená podľa EN60745:

Hladina akustického tlaku (L_{pA}): 70 dB (A) alebo menej

Odchýlka (K): 3 dB (A)

Úroveň hluku pri práci môže prekročiť 80 dB (A).

Používajte chrániče sluchu

Vibrácie

Celková hodnota vibrácií (trojosový vektorový súčet) určená podľa normy EN60745:

Emisie vibrácií (a_h): 2,5 m/s² alebo menej

Odchýlka (K): 1,5 m/s²

POZNÁMKA: Deklarovaná hodnota emisií vibrácií bola meraná podľa štandardnej skúšobnej metódy a môže sa použiť na porovnanie jedného náradia s druhým.

POZNÁMKA: Deklarovaná hodnota emisií vibrácií sa môže použiť aj na predbežné posúdenie vystavenia ich účinkom.

VAROVANIE: Emisie vibrácií počas skutočného používania elektrického náradia sa môžu odlišovať od deklarovanej hodnoty emisií vibrácií, a to v závislosti na spôsoboch používania náradia.

VAROVANIE: Nezabudnite označiť bezpečnostné opatrenia s cieľom chrániť obsluhu, a to tie, ktoré sa zakladajú na odhade vystavenia účinkom v rámci reálnych podmienok používania (berúc do úvahy všetky súčasti prevádzkového cyklu, ako sú doby, kedy je náradie vypnuté a kedy beží bez záťaženia, ako dodatok k dobe zapnutia).

Len pre európske krajiny

Vyhlasenie o zhode so smernicami Európskeho spoločenstva

Spoločnosť Makita vyhlasuje, že nasledovné strojné zariadenie(a):

Označenie strojného zariadenia:

Akumulátorová vytlačacia pištoľ

Číslo modelu/Typ: DCG140, DCG180

Je v zhode s nasledujúcimi európskymi smernicami:

2006/42/EC

Sú vyrobené podľa nasledovných noriem a standardizovaných dokumentov:

EN60745

Technická dokumentácia podľa smernice 2006/42/ES je k dispozícii na adrese:

Makita, Jan-Baptist Vinkstraat 2, 3070, Belgicko



Yasushi Fukaya
Riaditeľ

Makita, Jan-Baptist Vinkstraat 2, 3070, Belgicko

Všeobecné bezpečnostné predpisy pre elektronáradie

⚠️ UPOZORNENIE Prečítajte si všetky upozornenia a inštrukcie. Nedodržavanie pokynov a inštrukcií môže mať za následok úraz elektrickým prúdom, požiar alebo vážne zranenie.

Všetky pokyny a inštrukcie si odložte pre prípad potreby v budúcnosti.

BEZPEČNOSTNÉ VÝSTRAHY PRE AKUMULÁTOROVÚ VYTLÁČACIU PIŠTOL'

1. Ruky a odev majte v dostatočnej vzdialenosti od tyče a pieta. V opačnom prípade môže dôjsť k zovretiu prsta či odevu.
2. Vždy dbajte na pevný postoj.
3. Náradie držte pevne.
4. Vždy pracujte na dobre vetranom mieste a používajte správnu ochranu podľa vykonávanej práce.
5. Pred použitím si prečítajte a dodržiavajte pokyny výrobcu tesniaceho/škárovacieho materiálu či lepidla.

TIETO POKYNY USCHOVAJTE.

⚠️ VAROVANIE: NIKDY nepripustíte, aby pohodlie a dobrá znalosť výrobku (získané opakovaným používaním) nahradili presné dodržiavanie bezpečnostných pravidiel pre náradie. **NESPRÁVNE POUŽÍVANIE** alebo **nedodržiavanie bezpečnostných pokynov uvedených v tomto návode na obsluhu môže spôsobiť vážne poranenia osôb.**

Dôležité bezpečnostné a prevádzkové pokyny pre akumulátor

1. Pred použitím akumulátora si prečítajte všetky pokyny a výstažné označenia na (1) nabíjačke akumulátorov, (2) akumulátore a (3) produkte používajúcom akumulátor.
2. Akumulátor nerozoberajte.
3. Ak sa doba prevádzky príliš skráti, ihneď prerušte prácu. Môže nastať riziko prehriatia, možných popálením či dokonca explózie.
4. V prípade zasiahnutia očí elektrolytom ich vypláchnite čistou vodou a okamžite vyhľadajte lekársku pomoc. Môže dôjsť k strate zraku.

5. **Akumulátor neskratujte:**
 - (1) **Nedotýkajte sa konektorov žiadnym vodičným materiálom.**
 - (2) **Neskladujte akumulátor v obale s inými kovovými predmetmi, napríklad klíncami, mincami a pod.**
 - (3) **Akumulátor nevystavujte vode ani dažďu. Skrat akumulátora môže spôsobiť veľký tok prúdu, prehriate, možné popálenie či dokonca poruchu.**
6. **Neskladujte nástroj ani akumulátor na miestach s teplotou presahujúcou 50 °C (122 °F).**
7. **Akumulátor nespauľujte, ani keď je vážne poškodený alebo úplne opotrebovaný. Akumulátor môže v ohni explodovať.**
8. **Dávajte pozor, aby akumulátor nespadol, a nevystavujte ho nárazom.**
9. **Nepoužívajte poškodený akumulátor.**
10. **Lítium-iónové akumulátory, ktoré sú súčasťou náradia, podliehajú požiadavkám legislatívy o nebezpečnom tovare.**
V prípade obchodnej prepravy, napr. dodanie tretími stranami či špeditériami, sa musia dodržiavať špeciálne požiadavky na zabalenie a označenie. Pred prípravou položky na odoslanie sa vyžaduje konzultácia s odborníkom na nebezpečný materiál. Taktiež treba dodržiavať potenciálne podrobnejšie predpisy príslušnej krajiny. Prelepte alebo zakryte otvorené kontakty a zabaľte akumulátor tak, aby sa v balíku nemohol voľne pohybovať.
11. **Akumulátor zlikvidujte v súlade s miestnymi nariadeniami.**
12. **Akumulátory používajte iba s výrobkami uvedenými spoločnosťou Makita.** Inštalácia akumulátorov do nevyhovujúcich výrobkov môže spôsobiť požiar, nadmerné teplo, výbuch alebo únik elektrolytov.

TIETO POKYNY USCHOVAJTE.

⚠️ POZOR: Používajte len originálne akumulátory od spoločnosti Makita. Používanie batérií, ktoré nie sú od spoločnosti Makita, alebo upravených batérií môže spôsobiť výbuch batérie a následný požiar, zranenie osôb alebo poškodeniu majetku. Následkom bude aj zrušenie záruky od spoločnosti Makita na nástroj a nabíjačku od spoločnosti Makita.

Rady na udržanie maximálnej životnosti akumulátora

1. **Akumulátor nabíjajte ešte predtým, ako sa úplne vybije. Vždy prerušte prácu s nástrojom a nabíjajte akumulátor, keď spozorujete nižší výkon nástroja.**
2. **Nikdy nenabíjate plne nabitý akumulátor. Prebíjanie skracuje životnosť akumulátora.**
3. **Akumulátor nabíjajte pri izbovej teplote 10 °C – 40 °C (50 °F – 104 °F). Pred nabíjaním nechajte horúci akumulátor vychladnúť.**
4. **Lítium-iónový akumulátor nabíjajte, ak ste ho nepoužívali dlhšie ako šesť mesiacov.**

POPIS FUNKCIE

⚠ POZOR:

- Pred úpravou alebo kontrolou funkčnosti nástroje vždy skontrolujte, či je nástroj vypnutý a blok akumulátora je vybratý.

Inštalácia alebo demontáž kazety akumulátora

- **Obr.1:** 1. Červený indikátor 2. Tlačidlo 3. Kazeta akumulátora

⚠ POZOR:

- Pred inštaláciou alebo vybratím akumulátora náradie vždy vypnite.
- Pri inštalovaní a vyberaní akumulátora pevne uchopíte náradie a akumulátor. Opomenutie pevne uchopiť náradie a akumulátor môže mať za následok vyšmyknutie z vašich rúk s dôsledkom poškodenia náradia a akumulátora, ako aj osobných poranení.

Ak chcete vybrať akumulátor, vysuňte ho zo zariadenia, pričom posuňte tlačidlo na prednej strane akumulátora. Akumulátor vložíte tak, že jazyk akumulátora nasmerujete na ryhu v kryte a zasuniete ju na miesto. Zatlačte ho úplne, kým zakliknutím nezapadne na miesto. Ak vidíte červený indikátor na hornej strane tlačidla, nie je správne zapadnutý.

⚠ POZOR:

- Akumulátor vždy nainštalujte úplne, až kým nie je vidieť červený indikátor. V opačnom prípade môže náhodne vypadnúť z náradia a ublížiť vám alebo osobám v okolí.
- Pri inštalovaní jednotky akumulátora nepoužívajte silu. Ak sa jednotka nedá zasunúť ľahko, nekladáte ju správne.

Systém ochrany batérie

Náradie je vybavené systémom ochrany akumulátora. Tento systém automaticky vypne napájanie motora s cieľom predĺžiť životnosť akumulátora. Náradie sa môže počas prevádzky automaticky zastaviť v prípade, ak náradie a/alebo akumulátor sú v rámci nasledujúcich podmienok.

- **Preťaženie:**
Náradie je prevádzkované spôsobom, ktorý spôsobuje odber nadmerne vysokého prúdu. V tejto situácii uvoľní vypínač náradia a ukončí aplikáciu, ktorá spôsobuje preťažovanie náradia. Následne potiahnite vypínač a obnovte činnosť. Ak sa náradie nespustí, akumulátor je prehriaty. V tejto situácii nechajte akumulátor pred opätovným potiahnutím vypínača vychladnúť.
- **Nízke napätie akumulátora:**
Zostávajúca kapacita akumulátora je veľmi nízka a náradie nebude fungovať. V tejto situácii akumulátor vyberte a nabite ho.

POZNÁMKA: Ochrana proti prehrievaniu funguje len v prípade akumulátora so značkou hviezdičky.











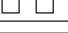
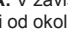
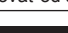

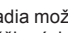
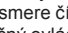

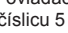
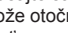
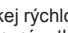
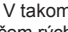


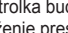
- **Obr.2:** 1. Označenie hviezdičky

Indikácia zvyšnej kapacity akumulátora

Len na akumulátory s indikátorom

- **Obr.3:** 1. Indikátory 2. Tlačidlo kontroly

Stlačením tlačidla kontroly na akumulátore zobrazíte zostávajúcu kapacitu akumulátora. Indikátory sa na niekoľko sekúnd rozsvietia.

Indikátory			Zostávajúca kapacita
 Svieti	 Nesvieti	 Bliká	
			75 % až 100 %
			50 % až 75 %
			25 % až 50 %
			0 % až 25 %
			Akumulátor nabite.
			Akumulátor je možno chybný.
			

POZNÁMKA: V závislosti od podmienok používania a v závislosti od okolitej teploty sa môže zobrazenie mierne odlišovať od skutočnej kapacity.

Otočný ovládač rýchlosti

- **Obr.4:** 1. Otočný ovládač rýchlosti

Rýchlosť náradia možno nastaviť otáčaním otočného ovládača. Vyššiu rýchlosť dosiahnete, keď otočný ovládač otočíte v smere číslice 5, nižšiu rýchlosť dosiahnete, keď otočný ovládač otočíte v smere číslice 1.

POZNÁMKA:

- Otočný ovládač rýchlosti je možné otočiť len po číslicu 5 a potom naspäť po číslicu 1. Nepokúšajte sa prejsť za číslicu 5 alebo číslicu 1, pretože otočný ovládač rýchlosti už nemusí fungovať.
- Pri nízkej rýchlosti sa tesniaci/škárovací materiál nemusí vytlačať (závisí to od jeho typu a stavu). V takom prípade nastavte otočným ovládačom rýchlosti vyššiu rýchlosť.

Výstražná kontrola preťaženia

- **Obr.5:** 1. Výstražný indikátor

Výstražná kontrolka bude pri preťažení náradia blikať načerveno. Ak zaťaženie presiahne určitý bod, kontrolka začne blikať načerveno a náradie sa zastaví. Na opätovné spustenie náradia uvoľnite vypínač a potom ho znova potiahnite.

POZNÁMKA: Keď bude kontrolka blikať alebo sa rozsvieti, skontrolujte, čo spôsobuje preťaženie. Pomocou otočného ovládača znížte rýchlosť alebo zväčšite priemer otvoru dýzy.

Zapínanie

▲POZOR:

- Pred vložením bloku akumulátora do nástroja sa vždy presvedčite, či vypínač funguje správne a po uvoľnení sa vráti do pozície "OFF".
- Keď s náradím nepracujete, stlačte zaistovacie tlačidlo vypínača na strane A, čím uzamknete vypínač do pozície "OFF".

► Obr.6: 1. Blokovacia páčka 2. Spínač

Vypínač je pred náhodným potiahnutím chránený zaistovacím tlačidlom vypínača.

Ak chcete zapnúť náradie, stlačte zaistovacie tlačidlo vypínača zo strany B a potiahnite vypínač. Otáčky náradia sa zvyšujú zvyšovaním prítlaku na vypínač. Náradie zastavíte uvoľnením vypínača.

Po použití zatlačte zaistovacie tlačidlo vypínača zo strany A.

Zapnutie kontrolky

▲POZOR:

- Nedívejte sa priamo do svetla alebo jeho zdroja.

► Obr.7: 1. Svetlo

Svetlo sa rozsvieti stlačením vypínača. Svetlo neustále svieti, kým ťaháte vypínač. Svetlo automaticky zhasne po 10 sekundách po uvoľnení vypínača.

POZNÁMKA:

- Na utretie nečistôt z šošovky svetla používajte suchú handričku. Dávajte pozor, aby ste šošovku svetla nepoškabali, môže sa tým zmenšiť jeho svietivosť.
- Pri prehrievaní náradia kontrolka bliká. Pred opätovným použitím nechajte náradie vychladnúť.

Funkcia na zabránenie kvapkania

Motor bude po uvoľnení vypínača krátku dobu bežať. Uvoľňuje tlak tesniaceho/škárovacieho materiálu a zabráňuje kvapkaniu.

MONTÁŽ

▲POZOR:

- Pred vykonaním akejkoľvek práce na nástroji vždy skontrolujte, či je nástroj vypnutý a kazeta akumulátora je vybratá.
- Pri vykonávaní montáže vždy náradie položte na zem alebo pracovný stôl. Náradie bez nepostačujúceho držania môže stratiť rovnováhu a spôsobiť poranenie.

Inštalácia spojky držiaka

► Obr.8

Spojku držiaka pevne pripojte k náradiu, nainštalujte platňu a pevne upevnite skrutkami. Spojku držiaka demontujete v opačnom slede krokov inštalácie.

POZNÁMKA:

- Existujú dva typy držiakov (voliteľné príslušenstvo); krátky držiak (300 ml) a dlhý držiak (600 ml). Podľa toho použite správnu spojku držiaka.

Inštalácie tyče a piesta

► Obr.9

► Obr.10

Zasuňte tyč do štrbiny náradia.

Namontujte piest a utiahnite skrutkami.

Tyč a piest demontujete opačným postupom ako pri montáži.

UPOZORNENIE:

- Ozubenie na tyči musí smerovať nadol.
- Existujú tri typy piestov. Piest A pre kartuše s dýzou. Piest B pre kartuše bez dýzy. Piest C na priame plnenie.
- Správny piest zvolte podľa typu nádoby s tesniacim/škárovacím materiálom. Použitie nesprávneho piesta môže mať za následok unikanie alebo poškodenie náradia.
- Existujú dva typy tyčí. Krátka tyč pre krátky držiak (300 ml) a dlhá tyč pre dlhý držiak (600 ml). Podľa typu držiaka použite správnu tyč.
- Tyč aj piest udržiavajte vždy v čistote. Priľnutie tesniaceho/škárovacieho materiálu môže náradie poškodiť.

Inštalácia držiaka

► Obr.11

► Obr.12

Uchopte spodnú časť držiaka a spojku držiaka a otočte držiak v smere hodinových ručičiek. Pevne utiahnite na doraz.

Skontrolujte, že držiak je pevne utiahnutý. Náradie sa môže v opačnom prípade poškodiť.

Držiak demontujete otočením proti smeru hodinových ručičiek.

POZNÁMKA:

- Držiak môžete otočiť podľa požadovanej situácie s cieľom umožniť činnosť.
- Krátky držiak (300 ml) je určený len pre kartuše s dýzou. Piest A používajte len s malým držiakom (300 ml) a nepoužívajte ho na kartuše bez dýzy ani na priame plnenie. Podľa typu držiaka použite aj správnu tyč.

Inštalácia kartuše

UPOZORNENIE:

- Na tyč nainštalujte piest A. Pre kartuše s dýzou nepoužívajte iný typ piesta.

Inštalácia kartuše s dýzou do krátkeho držiaka (300 ml)

► **Obr.13:** 1. Rúčka tyče

Pomaly vyťahnite rúčku tyče dozadu, až kým sa nezastaví.

► **Obr.14**

Podľa obrázka vložte kartušu s dýzou do držiaka. Pomaly zatlačte tyč, až kým sa piest nedotkne spodku kartuše s dýzou.

Ak chcete kartušu s dýzou vybrať, potiahnite tyč na doraz dozadu a potom kartušu s dýzou vyberte.

Inštalácia kartuše s dýzou do dlhého držiaka (600 ml)

► **Obr.15:** 1. Kryt držiaka 2. Rúčka tyče

Z držiaka snímte kryt držiaka.

Pomaly vyťahnite rúčku tyče dozadu, až kým sa nezastaví.

► **Obr.16:** 1. Kryt držiaka

Zasuňte kartušu s dýzou do držiaka.

Nasaďte kryt držiaka. Skontrolujte, že držiak je pevne utiahnutý.

Pomaly zatlačte tyč, až kým sa piest nedotkne spodku kartuše s dýzou.

Ak chcete kartušu s dýzou vybrať, snímte kryt držiaka a potom vyberte kartušu s dýzou.

UPOZORNENIE:

- Pred inštaláciou vždy skontrolujte, či nie je kartuša prepichnutá alebo poškodená. Poškodené kartuše nepoužívajte; v opačnom prípade môže dôjsť k poškodeniu náradia.
- Pri používaní čiastočne použitej kartuše s dýzou odstráňte z kartuše všetok prilepený materiál.

Inštalácia kartuše bez dýzy

UPOZORNENIE:

- Na tyč nainštalujte piest B. Pre kartuše bez dýzy nepoužívajte iný typ piesta.
- Kartuše bez dýzy možno nainštalovať len do dlhého držiaka (600 ml).

Z držiaka snímte kryt držiaka, dýzu a gumený krúžok.

Pomaly vyťahnite rúčku tyče dozadu, až kým sa nezastaví.

► **Obr.17**

Z kartuše bez dýzy odrežte koniec.

Kartušu bez dýzy vložte do držiaka.

► **Obr.18:** 1. Gumený krúžok 2. Dýza 3. Kryt držiaka

Nasaďte gumený krúžok, dýzu a kryt držiaka.

Skontrolujte, že kryt držiaka je pevne utiahnutý.

Pomaly zatlačte tyč, až kým sa piest nedotkne spodku kartuše bez dýzy.

POZNÁMKA:

- Pred inštaláciou vždy skontrolujte, či nie je kartuša bez dýzy prepichnutá alebo poškodená. Poškodené kartuše bez dýzy nepoužívajte; v opačnom prípade môže dôjsť k poškodeniu náradia.

Priame plnenie

UPOZORNENIE:

- Na tyč nainštalujte piest C. Na priame plnenie nepoužívajte iný typ piesta.
- Priame plnenie možno vykonávať len pomocou dlhého držiaka (600 ml).

Z držiaka snímte kryt držiaka, dýzu a gumený krúžok. Rúčku tyče umiestnite do polohy úplne vpredu.

Ponorte otvor držiaka do tesniaceho/škárovacieho materiálu.

Potiahnite pomaly rúčku tyčky, až kým sa držiak nenaplní požadovaným množstvom tesniaceho/škárovacieho materiálu.

Nasaďte gumený krúžok, dýzu a kryt držiaka.

Skontrolujte, že kryt držiaka je pevne utiahnutý.

UPOZORNENIE:

- Po každodennej práci očistite patričným rozpúšťacím prostriedkom držiak. V opačnom prípade môže priľnúť tesniaci/škárovací materiál spôsobiť poškodenie náradia.

PRÁCA

⚠ POZOR:

- Počas prevádzky sa tyče nedotýkajte. V opačnom prípade môže dôjsť k zovretiu prstov medzi tyč a plášť náradia.
- Počas práce vždy používajte okuliare.

UPOZORNENIE:

- Nezakrývajte vetracie otvory, pretože môže dochádzať k prehrievaniu a poškodeniu náradia.
- Ak nedokázate vyťahnúť tyč, otočte otočným ovládačom rýchlosti do polohy 1, na chvíľu potiahnite vypínač a po zastavení motora tyč vyťahnite. Ak je tyč stále zaseknutá, vykonajte rovnaký krok, až kým sa tyč nezačne pohybovať.

Odrežte koniec dýzy tak, aby bol otvor vhodný na patričné použitie. Dýzu odrežte opatrne. Priemer dýzy ovplyvňuje množstvo dávkovaného tesniaceho/škárovacieho materiálu.

Potiahnutím vypínača dôjde k dávkovaniu tesniaceho/škárovacieho materiálu.

Množstvo dávkovaného tesniaceho/škárovacieho materiálu je stanovené vypínačom, otočným ovládačom rýchlosti, priemerom otvoru dýzy, typom tesniaceho/škárovacieho materiálu a teplotou.

Na začiatku používania odporúčame nastaviť otočný ovládač rýchlosti na „1“ a ťahať vypínač pomaly, aby ste vyskúšali, koľko tesniaceho/škárovacieho materiálu sa dávkuje.

Keď tyč dosiahne prednú časť, motor začne bežať na voľnobehu. Ak k tomu dôjde, vymeňte tesniaci/škárovací materiál.

POZNÁMKA: Ak nedochádza k dávkovaniu tesniaceho/škárovacieho materiálu, skontrolujte nasledovné:

- Koniec dýzy nie je správne odrezaný. Odrežte koniec dýzy tak, aby bol otvor vhodný pre vykonávanú činnosť.
- Dýza sa zanesla stvrdnutým materiálom. Stvrdnutý materiál odstráňte.
- Kartuša je poškodená. Kartušu vymeňte.
- Tesniaci/škárovací materiál je stvrdnutý. Zahrievajte ho, kým nezmäkne.
- Používa sa nesprávny piest. Použite správny piest.

POZNÁMKA:

- Niektoré položky zo zoznamu môžu byť súčasťou balenia náradia vo forme štandardného príslušenstva. Rozsah týchto položiek môže byť v každej krajine odlišný.

ÚDRŽBA

⚠ POZOR:

- Pred realizovaním údržby alebo kontroly s výnimkou nasledujúcich riešení problémov týkajúcich sa svetla sa vždy presvedčte, že náradie je vypnuté a akumulátor z náradia je vybrať.
- Nepoužívajte benzín, riedidlo, alkohol ani nič podobné. Mohlo by to spôsobiť zmenu farby, deformácie alebo praskliny.
- Po každodennej práci očistite držiak a tyč. Chráňte pred prístupom lepkavého materiálu. Tesniaci/škárovací materiál odstráňte pred jeho stvrdnutím. Zvyšky lepkavého materiálu môžu spôsobiť poškodenie náradia.

Kvôli zachovaniu BEZPEČNOSTI a SPOLAHLIVOSTI výrobku musia byť opravy, kontrola a výmena uhlíkov a akákoľvek ďalšia údržba či nastavovanie robené autorizovanými servisnými strediskami firmy Makita a s použitím náhradných dielov Makita.

VOLITEĽNÉ PRÍSLUŠENSTVO

⚠ POZOR:

- Pre váš nástroj Makita, opísaný v tomto návode, doporučujeme používať toto príslušenstvo a nástavce. Pri použití iného príslušenstva či nástavcov môže hroziť nebezpečenstvo zranenia osôb. Príslušenstvo a nástavce sa môžu používať len na účely pre ne stanovené.

Ak potrebujete bližšie informácie týkajúce sa tohoto príslušenstva, obráťte sa na vaše miestne servisné stredisko firmy Makita.

- Piest A
- Piest B
- Piest C
- Zostava krátkeho držiaka (300 ml)
- Zostava dlhého držiaka (600 ml)
- Dýza
- Ochranné okuliare
- Originálna batéria a nabíjačka Makita

TECHNICKÉ ÚDAJE

Model		DCG140		DCG180	
Max. vytlačovací síla		5 000 N			
Rychlost vytlačování		0 - 28 mm/s			
Zdvih	s krátkým zásobníkem (300 ml)	214 mm			
	s dlouhým zásobníkem (600 ml)	350 mm			
Celková délka	s krátkým zásobníkem (300 ml)	404 mm			
	s dlouhým zásobníkem (600 ml)	538 mm			
Standardní blok akumulátoru		BL 1415 / BL 1415N	BL 1430 / BL 1430B / BL 1440 / BL 1450 / BL 1460B	BL 1815 / BL 1815N / BL 1820 / BL 1820B	BL 1830 / BL 1830B / BL 1840 / BL 1840B / BL 1850 / BL 1850B / BL 1860B
Hmotnost netto	s krátkým zásobníkem (300 ml)	2,0 kg	2,2 kg	2,1 kg	2,3 kg
	s dlouhým zásobníkem (600 ml)	2,4 kg	2,6 kg	2,5 kg	2,7 kg
Jmenovité napětí		14,4 V DC		18 V DC	

- Vzhledem k neustálému výzkumu a vývoji zde uvedené technické údaje podléhají změnám bez upozornění.
- Technické údaje a blok akumulátoru se mohou v různých zemích lišit.
- Hmotnost s blokem akumulátoru dle EPTA – Procedure 01/2003

Účel použití

Nářadí je určeno k aplikaci tmelícího materiálu na plochy.

Hlučnost

Typická vážená hladina hluku (A) určená podle normy EN60745:

Hladina akustického tlaku (L_{pa}): 70 dB (A) nebo méně

Nejistota (K): 3 dB (A)

Hladina hluku při práci může překročit hodnotu 80 dB (A).

Používejte ochranu sluchu

Vibrace

Celková hodnota vibrací (vektorový součet tří os) určená podle normy EN60745:

Emise vibrací (a_h): 2,5 m/s² nebo méně

Nejistota (K): 1,5 m/s²

POZNÁMKA: Deklarovaná hodnota emisí vibrací byla změřena v souladu se standardní testovací metodou a může být využita ke srovnávání nářadí mezi sebou.

POZNÁMKA: Deklarovanou hodnotu emisí vibrací lze rovněž využít k předběžnému posouzení vystavení jejich vlivu.

VAROVÁNÍ: Emise vibrací během skutečného používání elektrického nářadí se mohou od deklarované hodnoty emisí vibrací lišit v závislosti na způsobu použití nářadí.

VAROVÁNÍ: Na základě odhadu vystavení účinkům vibrací v aktuálních podmínkách zajistěte bezpečnostní opatření k ochraně obsluhy (vezměte v úvahu všechny části pracovního cyklu, mezi něž patří kromě doby pracovního nasazení i doba, kdy je nářadí vypnuto nebo pracuje ve volnoběhu).

Pouze pro země Evropy

Prohlášení ES o shodě

Společnost Makita prohlašuje, že následující zařízení:

Popis zařízení:

Akumulátorová vytlačovací pistole

Č. modelu/typ: DCG140, DCG180

A vyhovuje následujícím evropským směrnici:
2006/42/EC

Zařízení bylo vyrobeno v souladu s následující normou či normativními dokumenty:

EN60745

Technická dokumentace dle 2006/42/ES je k dispozici na adrese:

Makita, Jan-Baptist Vinkstraat 2, 3070, Belgie



Yasushi Fukaya
Ředitel

Makita, Jan-Baptist Vinkstraat 2, 3070, Belgie

Obecná bezpečnostní upozornění k elektrickému nářadí

⚠️ UPOZORNĚNÍ Přečtěte si všechna bezpečnostní upozornění a pokyny. Při nedodržení upozornění a pokynů může dojít k úrazu elektrickým proudem, požáru nebo vážnému zranění.

Všechna upozornění a pokyny si uschovejte pro budoucí potřebu.

BEZPEČNOSTNÍ UPOZORNĚNÍ K AKUMULÁTOROVÉ VYTLAČOVACÍ PISTOLI

1. K oblasti tlačné tyče a pístu nepřibližujte ruce a oděv. Mohli byste si přiskřípnout prst nebo část oděvu.
2. Vždy si zajistěte stabilní postoj.
3. Nářadí pevně držte.
4. Vždy pracujte v dobře větrané oblasti a podle prováděné činnosti používejte náležitou ochrannou pomůcku.
5. Před použitím si přečtěte pokyny výrobce k tmelicímu či lepicímu materiálu.

TYTO POKYNY USCHOVEJTE.

⚠️ VAROVÁNÍ: NEDOVOLTE, aby pohodlnost nebo pocit znalosti výrobku (získaný na základě opakovaného používání) vedly k zanedbání dodržování bezpečnostních pravidel platných pro tento výrobek. **NESPRÁVNÉ POUŽÍVÁNÍ** nebo nedodržení bezpečnostních pravidel uvedených v tomto návodu k obsluze může způsobit vážné zranění.

Důležitá bezpečnostní upozornění pro akumulátor

1. Před použitím akumulátoru si přečtěte všechny pokyny a varovné symboly na (1) nabíječce, (2) akumulátoru a (3) výrobku využívajícím akumulátor.
2. Akumulátor nerozebírejte.
3. Pokud se příliš zkrátí provozní doba akumulátoru, přerušete okamžitě práci. V opačném případě existuje riziko přehřívání, popálení nebo dokonce výbuchu.
4. Budou-li vaše oči zasaženy elektrolytem, vypláchněte je čistou vodou a okamžitě vyhledejte lékařskou pomoc. Může dojít ke ztrátě zraku.

5. **Akumulátor nezkratujte:**
 - (1) **Nedotýkejte se svorek žádným vodivým materiálem.**
 - (2) **Neskladujte akumulátor v nádobě s jinými kovovými předměty, jako jsou hřebíky, mince, apod.**
 - (3) **Nevystavujte akumulátor vodě a dešti. Zkrat akumulátoru může způsobit velký průtok proudu, přehřátí, možné popálení a dokonce i poruchu.**
6. **Neskladujte nářadí a akumulátor na místech, kde může teplota překročit 50 °C (122 °F).**
7. **Nespalujte akumulátor, ani když je vážně poškozen nebo úplně opotřeben. Akumulátor může v ohni vybuchnout.**
8. **Dávejte pozor, abyste akumulátor neupustili ani s ním nenaráželi.**
9. **Nepoužívejte poškozené akumulátory.**
10. **Obsazené lithium-iontové akumulátory podléhají právním požadavkům na nebezpečné zboží.**

V případě komerční přepravy například externími dopravci je třeba dodržet zvláštní požadavky na balení a značení.

Pro přípravu zboží k přepravě je nutná konzultace s odborníkem na nebezpečný materiál. Dodržujte také případné podrobnější národní předpisy. Odkryté kontakty přelepte izolační páskou či jinak zakryjte a akumulátory zabalte tak, aby se v balení nemohly pohybovat.

11. **Při likvidaci akumulátoru postupujte podle místních předpisů.**
12. **Akumulátor používejte pouze z výrobky specifikovanými společností Makita.** Instalace akumulátoru do nevhodujících výrobků může způsobit požár, nadměrné zahřívání, explozi nebo únik elektrolytu.

TYTO POKYNY USCHOVEJTE.

⚠️ UPOZORNĚNÍ: Používejte pouze originální akumulátory Makita. Používání neoriginálních nebo upravených akumulátorů může způsobit explozi akumulátoru a následný požár, zranění a jiné poškození. Zaniká tím také záruka společnosti Makita na nářadí a nabíječku Makita.

Tipy k zajištění maximální životnosti akumulátoru

1. Akumulátor nabíjte dříve, než dojde k jeho úplnému vybití. Pokud si povšimnete sníženého výkonu nářadí, vždy jej zastavte a dobijte akumulátor.
2. Nikdy nenabíjete úplně nabitý akumulátor. Přebíjení zkracuje životnost akumulátoru.
3. Akumulátor dobíjete při pokojové teplotě od 10 °C do 40 °C (50 °F až 104 °F). Před nabíjením nechejte horký akumulátor zchladnout.
4. Pokud se akumulátor delší dobu nepoužívá (déle než šest měsíců), je nutno jej dobít.

POPIS FUNKCE

⚠ UPOZORNĚNÍ:

- Před nastavováním nástroje nebo kontrolou jeho funkce se vždy přesvědčte, zda je nástroj vypnutý a je odpojen jeho akumulátor.

Instalace a demontáž akumulátoru

- **Obr.1:** 1. Červený indikátor 2. Tlačítko
3. Akumulátor

⚠ UPOZORNĚNÍ:

- Před nasazením či sejmutím bloku akumulátoru nářadí vždy vypněte.
- Při snímání či nasazování bloku akumulátoru pevně držte nářadí i akumulátor. V opačném případě rukou může nářadí nebo akumulátor vyklouznout z vaku a mohlo by dojít k jejich poškození či ke zranění.

Jestliže chcete blok akumulátoru vyjmout, vysuňte jej se současným přesunutím tlačítka na přední straně akumulátoru. Při instalaci akumulátoru vyrovnejte jazyček na bloku akumulátoru s drážkou v krytu a zasuňte akumulátor na místo. Akumulátor zasuňte na doraz, až zacvakne na místo. Není-li tlačítko zcela zajištěno, uvidíte na jeho horní straně červený indikátor.

⚠ UPOZORNĚNÍ:

- Akumulátor zasunujte vždy zcela tak, aby nebyl červený indikátor vidět. Jinak by mohl akumulátor ze zařízení vypadnout a způsobit zranění obsluze či přihlížejícím osobám.
- Blok akumulátoru nenasazujte násilím. Nelze-li akumulátor zasunout snadno, nevkládáte jej správně.

Systém ochrany akumulátoru

Nářadí je vybaveno systémem ochrany akumulátoru. Tento systém automaticky přeruší napájení motoru, aby se prodloužila životnost akumulátoru. Budou-li nářadí nebo akumulátor vystaveny některé z níže uvedených podmínek, nářadí se během provozu automaticky vypne:

- **Přetížení:**
S nářadím se pracuje takovým způsobem, že dochází k odběru mimořádně vysokého proudu. V takovém případě uvolněte spoušť nářadí a ukončete činnost, jež vedla k přetížení zařízení. Potom nářadí opětovným stisknutím spouště znovu spusťte.
Jestliže se nářadí nespustí, došlo k přehřátí akumulátoru. V takovém případě nechte akumulátor před opětovným stisknutím spouště vychladnout.
- **Nízké napětí akumulátoru:**
Zbývající kapacita akumulátoru je příliš nízká a nářadí nebude pracovat. V takovém případě vyjměte akumulátor a dobijte jej.

POZNÁMKA: Ochrana proti přehřátí funguje pouze při použití bloku akumulátoru označeného hvězdičkou.












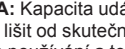


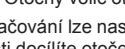
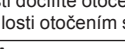

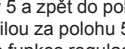
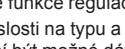
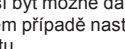

- **Obr.2:** 1. Značka hvězdičky

Indikace zbývající kapacity akumulátoru

Pouze pro akumulátory s diodovým ukazatelem

- **Obr.3:** 1. Kontrolky 2. Tlačítko kontroly

Stisknutím tlačítka kontroly na akumulátoru zjistíte zbývající kapacitu akumulátoru. Kontrolky indikátoru se na několik sekund rozsvítí.

Kontrolky			Zbývající kapacita
 Svítí	 Nesvítí	 Bliká	
			75 % až 100 %
			50 % až 75 %
			25 % až 50 %
			0 % až 25 %
			Nabíjte akumulátor.
			Došlo pravděpodobně k poruše akumulátoru.

POZNÁMKA: Kapacita udávaná indikátorem se může mírně lišit od skutečné kapacity v závislosti na podmínkách používání a teplotě prostředí.

Otočný volič rychlosti

- **Obr.4:** 1. Otočný volič otáček

Rychlost vytlačování lze nastavit otočným voličem. Vyšší rychlosti docílíte otočením voliče směrem k číslu 5 a nižší rychlosti otočením směrem k číslu 1.

POZNÁMKA:

- Otočným voličem otáček lze otáčet pouze do polohy 5 a zpět do polohy 1. Voličem neotáčejte silou za polohu 5 nebo 1. Mohlo by dojít k poruše funkce regulace otáček.
- V závislosti na typu a stavu tmelicího materiálu, nemusí být možné dávkování nízkou rychlostí. V takovém případě nastavte otočný volič na vyšší hodnotu.

Výstražná kontrolka přetížení

- **Obr.5:** 1. Výstražná kontrolka

Při přetížení zařízení se červeně rozblíká výstražná kontrolka. Jestliže zatížení dosáhne určitého bodu, zůstane kontrolka červeně svítit a nářadí se vypne. Restartování nářadí provedete uvolněním a opětovným stisknutím spouště.

POZNÁMKA: Při rozblíkání či rozsvícení kontrolky zjistěte příčinu přetížení. Nastavením otočného voliče snižte rychlost vytlačování nebo zvětšete průsvit aplikační špičky.

Zapínání

⚠ UPOZORNĚNÍ:

- Před vložením akumulátoru do nástroje vždy zkontrolujte správnou funkci spouště a zda se po uvolnění vrací do vypnuté polohy.
- Jestliže nářadí nepoužíváte, zablokujte spoušť ve vypnuté poloze stisknutím zajišťovacího tlačítka ze strany A.

► Obr.6: 1. Blokovací páčka 2. Spínač

K zamezení náhodnému stisknutí spouště je zařízení vybaveno zajišťovacím tlačítkem spouště.

Nářadí spustíte stisknutím zajišťovacího tlačítka spouště ze strany B a stisknutím spouště. Rychlost se zvyšuje zvyšováním tlaku na spoušť. Vypnutí provedete uvolněním spouště. Po použití zamáčkněte zajišťovací tlačítko ze strany A.

Rozsvícení světla

⚠ UPOZORNĚNÍ:

- Nedívejte přímo do světla nebo jeho zdroje.

► Obr.7: 1. Světlo

Při stisknutí spouště se rozsvítí světlo. Světlo svítí po celou dobu stisknutí spouště. Přibližně 10 sekund po uvolnění spouště světlo zhasne.

POZNÁMKA:

- K očištění nečistot z čočky světla používejte suchý hadřík. Dávejte pozor, abyste čočku světla nepoškrábali, může se tím zmenšit jeho svítivost.
- Při přehřátí nářadí bude světlo blikat. Před obnovením práce nechte nářadí zcela vychladnout.

Funkce zamezení odkapávání

Po uvolnění spouště pokračuje motor ještě kratší dobu v činnosti. Zajišťuje přítom uvolnění tlaku v tmelicím materiálu, což zamezuje jeho odkapávání.

MONTÁŽ

⚠ UPOZORNĚNÍ:

- Před prováděním libovolných prací na nástroji se vždy přesvědčte, zda je nástroj vypnutý a je odpojen jeho akumulátor.
- Při sestavování dílů si nářadí vždy položte na zem nebo na pracovní stůl. Nedostatečně uchovené nářadí může spadnout a způsobit zranění.

Montáž spojovacího dílu zásobníku

► Obr.8

Spojovací díl pevně přitiskněte k nářadí, přiložte desku a díly upevněte pevným dotažením šroubů.

Při demontáži spojovacího dílu použijte obrácený sled výše uvedeného postupu.

POZNÁMKA:

- Existují dva typy zásobníků (volitelné příslušenství): krátký zásobník (300 ml) a dlouhý zásobník (600 ml). Použijte příslušný spojovací díl.

Instalace tlačné tyče a pístu

► Obr.9

► Obr.10

Tlačnou tyč zasuňte do výřezu v nářadí. Nasadte píst a dotáhněte jej šroubem. Při demontáži tlačné tyče a pístu použijte opačný postup montáže.

POZNÁMKA:

- Ozubená strana tlačné tyče musí směřovat dolů.
- Existují tři typy pístů. Píst A pro kartuše. Píst B pro aplikaci z fóliových sáčků. Píst C pro přímé plnění.
- Podle typu kontejneru s tmelicím materiálem zvolte vhodný píst. Nesprávný píst může zapříčinit netěsnosti či poškození nářadí.
- Existují dva typy tlačných tyčí. Krátká tyč pro krátký zásobník (300 ml) a dlouhá tyč pro dlouhý zásobník (600 ml). Použijte vhodnou tlačnou tyč podle použitého typu zásobníku.
- Tlačnou tyč a píst vždy udržujte v čistotě. Usazený tmel může způsobit poškození nářadí.

Montáž zásobníku

► Obr.11

► Obr.12

Zásobník uchopte ve spodní části se závitem a otáčením vpravo jej našroubujte na místo. Dotáhněte jej pevně až na doraz.

Ujistěte se, zda je zásobník pevně dotažen. Jinak by mohlo dojít k poškození nářadí.

Zásobník sejmete odšroubováním směrem vlevo.

POZNÁMKA:

- K usnadnění práce si zásobník můžete podle prováděné činnosti natočit do požadované polohy.
- Krátký zásobník (300 ml) je určen pouze pro kartuše. V kombinaci s krátkým zásobníkem (300 ml) používejte pouze píst A, nepoužívejte jej pro aplikaci z fóliových sáčků ani k přímému plnění. Použijte také vhodnou tlačnou tyč podle použitého typu zásobníku.

Nasazení kartuše

POZNÁMKA:

- Ujistěte se, zda je na tlačné tyči nasazen píst A. Při používání kartuší nepoužívejte žádný jiný typ pístu.

Nasazení kartuše do krátkého zásobníku (300 ml)

► Obr.13: 1. Držadlo tlačné tyče

Pomalou vytáhněte držadlo tlačné tyče až na doraz.

► Obr.14

Kartuši vložte podle obrázku do zásobníku.

Na tyč zlehka zatlačte, až se píst dotkne dna kartuše.

Jestliže chcete kartuši vyjmout, vysuňte tlačnou tyč až na doraz a pak kartuši vytáhněte.

Nasazení kartuše do dlouhého zásobníku (600 ml)

► **Obr.15:** 1. Víčko zásobníku 2. Držadlo tlačné tyče

Ze zásobníku sejměte víčko zásobníku. Pomalu vytáhněte držadlo tlačné tyče až na doraz.

► **Obr.16:** 1. Víčko zásobníku

Do zásobníku vložte kartuši. Nasadte víčko zásobníku. Ujistěte se, zda je víčko pevně dotaženo. Na tyč zlehka zatlačte, až se píst dotkne dna kartuše. Pokud chcete kartuši vyjmout, sejměte víčko zásobníku a potom kartuši vytáhněte.

POZNÁMKA:

- Kartuši před nasazením vždy zkontrolujte, zda není proděravělá či poškozená. Nepoužívejte poškozené kartuše, jinak by mohlo dojít k poškození nářadí.
- Při používání částečně vypotřebované kartuše odstraňte z kartuše veškerý ulpělý materiál.

Nasazení náplně ve fóliovém sáčku

POZNÁMKA:

- Ujistěte se, zda je na tlačné tyči nasazen píst B. Při používání náplně ve fóliovém sáčku nepoužívejte žádný jiný typ pístu.
- Náplň ve fóliovém sáčku lze vložit pouze do dlouhého zásobníku (600 ml).

Ze zásobníku sejměte víčko zásobníku, aplikační špičku a pryžový kroužek.

Pomalu vytáhněte držadlo tlačné tyče až na doraz.

► **Obr.17**

Odřízněte konec náplně ve fóliovém sáčku.

Náplň ve fóliovém sáčku vložte do zásobníku.

► **Obr.18:** 1. Pryžový kroužek 2. Hubice 3. Víčko zásobníku

Nasadte pryžový kroužek, aplikační špičku a víčko zásobníku. Ujistěte se, zda je víčko zásobníku pevně dotaženo.

Na tyč zlehka zatlačte, až se píst dotkne dna náplně ve fóliovém sáčku.

POZNÁMKA:

- Náplň ve fóliovém sáčku před nasazením vždy zkontrolujte, zda není proděravělá či poškozená. Nepoužívejte poškozené náplně ve fóliovém sáčku, jinak by mohlo dojít k poškození nářadí.

Přímé plnění

POZNÁMKA:

- Ujistěte se, zda je na tlačné tyči nasazen píst C. Při používání přímého plnění nepoužívejte žádný jiný typ pístu.
- Přímé plnění lze provést pouze při použití dlouhého zásobníku (600 ml).

Ze zásobníku sejměte víčko zásobníku, aplikační špičku a pryžový kroužek.

Ujistěte se, zda je držadlo tlačné tyče zatlačeno maximálně vpřed.

Hubici zásobníku ponořte do tmelicího materiálu.

Pomalým tahem držadla tlačné tyče naplněte zásobník požadovaným množstvím tmelicího materiálu.

Nasadte pryžový kroužek, aplikační špičku a víčko zásobníku. Ujistěte se, zda je víčko zásobníku pevně dotaženo.

POZNÁMKA:

- Na konci každého pracovního dne očistěte zásobník vhodným rozpouštědlem. Usazeniny tmelicího materiálu by jinak mohly způsobit poruchu nářadí.

PRÁCE

▲ UPOZORNĚNÍ:

- Při práci se nedotýkejte tlačné tyče. Mohli byste si přiskřípnout prst mezi tlačnou tyč a plášť nářadí.
- Při práci vždy používejte ochranné brýle.

POZNÁMKA:

- Nezakrývejte ventilační otvory, jinak může dojít k přehřátí a poškození nářadí.
- Jestliže se vám nedaří vytáhnout tlačnou tyč, nastavte otočný volič do pozice 1, stiskněte na chvíli spoušť a po zastavení motoru se znovu pokuste tlačnou tyč vytáhnout. Pokud je tlačná tyč stále zaseknutá, provádějte stejnou operaci znovu, až se tyč uvolní.

Podle prováděné operace přizpůsobte vhodným způsobem konec aplikační špičky. Při přirezávání aplikační špičky postupujte opatrně. Průsvit aplikační špičky ovlivňuje množství vytlačovaného tmelicího materiálu. Stisknutím spouště vytlačujete tmelicí materiál.

Množství vytlačovaného tmelicího materiálu určuje stisknutí spouště, nastavení otočného voliče, průsvit otvoru aplikační špičky, typ tmelicího materiálu a teplota.

Při prvním použití doporučujeme nastavit otočný volič do pozice „1“ a pomalu mačkat spoušť, abyste zkontrolovali množství vytlačovaného tmelicího materiálu. Jakmile tlačná tyč dosáhne do přední koncové polohy, motor poběží naprázdno. Jestliže k tomu dojde, doplňte tmelicí materiál.

POZNÁMKA: Pokud se tmelicí materiál nevytlačuje, zkontrolujte následující položky:

- Konec aplikační špičky není správně seříznutý. Konec aplikační špičky vhodným způsobem přizpůsobte podle prováděné operace.
- V aplikační špičce uvízl ztvrdlý materiál. Odstraňte ztvrdlý materiál.
- Je poškozená kartuše. Vyměňte kartuši.
- Tmelicí materiál je tuhý. Materiál zahřejte, aby změkkl.
- Používáte nesprávný píst. Použijte vhodný píst.

ÚDRŽBA

⚠ UPOZORNĚNÍ:

- Před zahájením kontroly nebo údržby nástroje (kromě řešení problémů souvisejících se světlem) se vždy přesvědčte, zda je nástroj vypnutý a zda je odpojen akumulátor.
- Nikdy nepoužívejte benzín, benzen, ředidlo, alkohol či podobné prostředky. Mohlo by tak dojít ke změnám barvy, deformacím či vzniku prasklin.
- Na konci každého pracovního dne očistěte zásobník a tlačnou tyč. Zamezte, aby se na nich usazoval přilnavý materiál. Tmelicí materiál odstraňte dříve, než zatvrdne. Zbytky přilnavého materiálu mohou způsobit poruchu nářadí.

Kvůli zachování BEZPEČNOSTI a SPOLEHLIVOSTI výrobku musí být opravy, kontrola a výměna uhlíků a veškerá další údržba či seřizování prováděny autorizovanými servisními středisky firmy Makita a s použitím náhradních dílů Makita.

VOLITELNÉ PŘÍSLUŠENSTVÍ

⚠ UPOZORNĚNÍ:

- Pro váš nástroj Makita, popsany v tomto návodu, doporučujeme používat toto příslušenství a nástavce. Při použití jiného příslušenství či nástavců může hrozit nebezpečí zranění osob. Příslušenství a nástavce lze používat pouze pro jejich stanovené účely.

Potřebujete-li bližší informace ohledně tohoto příslušenství, obraťte se na vaše místní servisní středisko firmy Makita.

- Píst A
- Píst B
- Píst C
- Sada krátkého zásobníku (300 ml)
- Sada dlouhého zásobníku (600 ml)
- Hubice
- Ochranné brýle
- Originální akumulátor a nabíječka Makita

POZNÁMKA:

- Některé položky seznamu mohou být k zařízením přibaleny jako standardní příslušenství. Přibalené příslušenství se může v různých zemích lišit.

Makita Europe N.V. Jan-Baptist Vinkstraat 2,
3070 Kortenberg, Belgium

Makita Corporation 3-11-8, Sumiyoshi-cho,
Anjo, Aichi 446-8502 Japan

www.makita.com

885260D976
EN, UK, PL, RO,
DE, HU, SK, CS
20170627