

Bestway®



EN
PT
ES
DE
FI
NL
IT
FR
EL
RU
PL
HU
SV



bestwaycorp.com/support

Visit Bestway YouTube channel 



EN WARNING

smooth out the bottom

Put 1" to 2" water in the pool to cover the floor. Once pool floor is slightly covered, gently smooth out all wrinkles. Start in the center of the pool and work your way clockwise to the outside.

Do not assemble on soft lawn. If you must assemble the pool on a soft surface, timber boards (not included) must be placed under the feet of the vertical supports to spread the load. The thickness of the timber boards must not exceed 2 cm.

PT ATENÇÃO

suavizar o fundo

Encher a piscina com uma quantidade de água suficiente para cobrir a superfície (2,5 cm). Uma vez que a superfície estiver levemente coberta, eliminar todas as dobras presentes, começando pelo centro da piscina e continuando, no sentido horário, em direcção à parte externa.

Não monte num relvado macio. Se necessitar de montar a piscina numa superfície macia, as placas de madeira devem ser colocadas sob os pés dos suportes verticais para distribuir o peso. A espessura das placas de madeira não deve ultrapassar 2 cm.

ES ADVERTENCIA

suavizar la parte inferior

Ponga de 1" a 2" de agua en la piscina para cubrir el suelo. Cuando la piscina esté un poco cubierta, alise suavemente las arrugas. Comience desde el centro de la piscina y trabaje en sentido horario hacia el exterior.

No montar sobre un terreno blando. Si debe montar la piscina sobre una superficie blanda, deberá colocar tableros de madera (no incluidos) debajo de las bases de los soportes verticales para distribuir bien el peso. El grosor de las tablas de madera no debe superar los 2 cm.

DE ACHTUNG

glätten den Boden

Füllen Sie 1" bis 2" Wasser in den Pool, so dass der Boden bedeckt ist. Glätten Sie vorsichtig alle Falten sobald der Poolboden leicht bedeckt ist. Beginnen Sie in der Mitte des Pools und arbeiten Sie im Uhrzeigersinn zur Außenseite.

Nicht auf weichen Rasenflächen montieren. Falls Sie die Montage des Pools auf einer weichen Fläche durchführen müssen, müssen Bretter (nicht enthalten) unter den Füßen der senkrechten Stützen platziert werden, um die Traglast zu verteilen. Die Holzbretter sollten nicht dicker als 2 cm sein.

FI VAROITUS

tasoittaa pohjaan

Laita altaaseen 2.5cm-5cm:n kerros vettä pohjan peittämiseksi. Kun altaan pohja on peittynyt, silitä varovasti kaikki rypyt. Aloita keskeltä ja etene myötäpäivään laidoille.

Älä asenna pehmeälle nurmelle. Jos uima-allas täytyy asentaa pehmeälle pinnalle, altaan pystytukien alle on asetettava puulaudat jakamaan kuormaa suuremmalle alueelle. Puulaudat eivät sisälly toimitukseen. Puulautojen paksuus ei saa olla yli 2 cm:ä.

NL WAARSCHUWING

glad uit de bodem

Doe 1" tot 2" water in het zwembad, net voldoende om de bodem onder water te zetten. Wanneer dit gebeurd is worden alle rimpels voorzichtig gladgestreken. Begin in het midden van het zwembad en ga zo rechtsom naar de rand toe.

Niet monteren op een zacht grasveld. Als u het zwembad op een zacht oppervlak moet monteren, moeten houten platen (niet inbegrepen) onder de voeten van de verticale draagsteunen geplaatst worden om het gewicht te verdelen. De dikte van de houten platen mag niet meer zijn dan 2 cm.

IT AVVERTENZA

appianare il fondo

Riempire la piscina con una quantità d'acqua sufficiente a coprire la superficie (da 2,5 a 5cm) Una volta piscina verso l'esterno muovendosi in senso orario. eseguita questa operazione, eliminare tutte le pieghe presenti sulla superficie partendo dal centro della.

Non montare su un terreno morbido. Per montare la piscina su una superficie morbida, è necessario posizionare pannelli di legno (non inclusi) sotto i piedi dei supporti verticali per distribuire il carico. Lo spessore delle assi di legno non deve superare i 2 cm.

FR ATTENTION

lisser le fond

Mettre quelques centimètres d'eau dans la piscine pour couvrir le sol. Une fois que le sol de la piscine est légèrement recouvert, lissez tous les plis. Commencez par le centre de la piscine et continuez dans le sens des aiguilles d'une montre vers l'extérieur.

Ne montez pas la piscine sur une pelouse qui s'enfoncé. Si vous devez monter la piscine sur une surface molle, il faut placer des planches en bois (qui ne sont pas fournies avec) sous les pieds des supports verticaux pour répartir la charge. L'épaisseur des planches en bois ne doit pas dépasser 2 cm.

EL ΠΡΟΕΙΔΟΠΟΙΗΣΗ

ΕΞΟΜΑΛΥΝΕΙ ΤΟ ΠΥΘΜΕΝΑ

ΒΑΛΤΕ 1" ΕΩΣ 2" ΝΕΡΟ ΣΤΗΝ ΠΙΣΙΝΑ ΓΙΑ ΝΑ ΚΑΛΥΨΕΤΕ ΤΟ ΠΑΤΩΜΑ. ΜΟΛΙΣ ΚΑΛΥΨΘΕΙ ΕΛΑΦΡΑ ΤΟ ΠΑΤΩΜΑ ΤΗΣ ΠΙΣΙΝΑΣ, Ο ΕΓΚΑΤΑΣΤΑΤΗΣ ΠΡΕΠΕΙ ΝΑ ΙΣΙΩΣΕΙ ΟΛΕΣ ΤΙΣ ΠΤΥΧΕΣ. ΞΕΚΙΝΗΣΤΕ ΑΠΟ ΤΟ ΚΕΝΤΡΟ ΤΗΣ ΠΙΣΙΝΑΣ ΚΑΙ ΣΥΝΕΧΙΣΤΕ ΔΕΞΙΟΣΤΡΟΦΑ ΠΡΟΣ ΤΑ ΕΞΩ.

ΜΗΝ ΣΥΝΑΡΜΟΛΟΓΗΣΤΕ ΠΑΝΩ ΣΕ ΜΑΛΑΚΟ ΓΚΑΖΟΝ. ΕΑΝ ΠΡΕΠΕΙ ΝΑ ΣΥΝΑΡΜΟΛΟΓΗΣΤΕ ΤΗΝ ΠΙΣΙΝΑ ΠΑΝΩ ΣΕ ΜΙΑ ΜΑΛΑΚΗ ΕΠΙΦΑΝΕΙΑ, ΠΡΕΠΕΙ ΝΑ ΤΟΠΟΘΕΤΗΘΟΥΝ ΞΑΝΙΔΕΣ (ΔΕΝ ΣΥΜΠΕΡΙΛΑΜΒΑΝΟΝΤΑΙ) ΚΑΤΩ ΑΠΟ ΤΑ ΠΕΛΜΑΤΑ ΤΩΝ ΚΑΘΕΤΩΝ ΣΤΗΡΙΓΜΑΤΩΝ ΓΙΑ ΝΑ ΜΟΙΡΑΣΤΕΙ ΤΟ ΦΟΡΤΙΟ. ΤΟ ΠΑΧΟΣ ΤΩΝ ΞΥΛΙΝΩΝ ΞΑΝΙΔΩΝ ΔΕΝ ΠΡΕΠΕΙ ΝΑ ΥΠΕΡΒΑΙΝΕΙ ΤΑ 2 ΕΚΑΤΟΣΤΑ.

RU ВНИМАНИЕ

Расправьте дно

Налейте немного воды в бассейн так, чтобы она покрывала дно на 2,5-5 сантиметров. Когда вода налита, аккуратно расправьте складки дна. Начинайте с центра бассейна и двигайтесь к краям по часовой стрелке.

Не собирать на мягкой поверхности лужайки. Если нужно собрать бассейн на мягкой поверхности, то необходимо поместить деревянные доски под опоры вертикальных стоек для равномерного распределения веса. Толщина деревянных досок не должна превышать 2 см.

PL OSTRZEŻENIE

wygładzić dno

Puść wodę do basenu o głębokości 1" - 2", aby jej warstwa zakryła dno basenu. Jeśli dno basenu jest już trochę zakryte wodą, delikatnie wygładź wszystkie jego fałdy. Zacznij od środka basenu i idąc w kierunku zgodnym z ruchem wskazówek zegara, podążaj do brzegu basenu.

Nie rozkładać produktu na miękkim trawniku. Jeśli zdecydujesz się zmontować produkt na miękkim podłożu, w celu rozłożenia ciężaru, umieść pod nóżkami pionowych wsporników drewniane deski (brak w zestawie). Grubość desek drewnianych nie może przekraczać 2 cm.

HU FIGYELMEZTÉTÉS

elsimítására az alsó

A medencébe engedjen 1" - 2" mélységű vizet, hogy az a medence fenekét befedje. Ha a medence alján egy kis mennyiségű víz található, a gyűrődéseket finoman egyenesítse ki. A medence közepétől kezdje és az óramutató járásával megegyezően haladjon a medence széle felé.

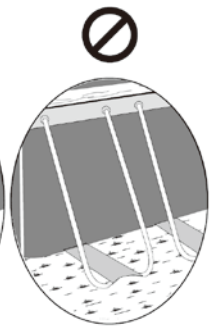
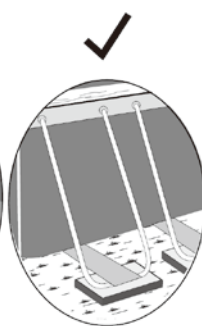
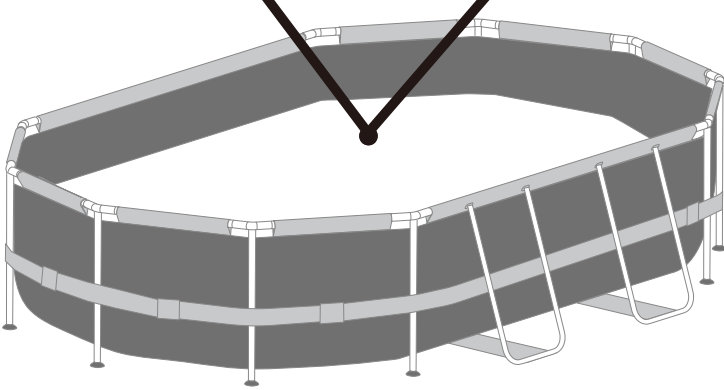
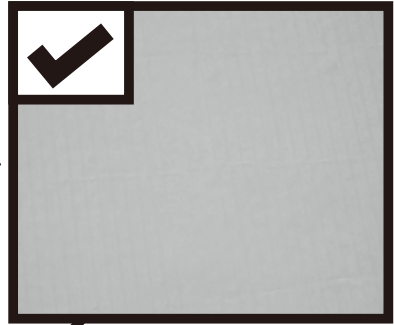
Ne állítsa fel puha gyepen. Ha a medencét puha felületen kényszerül felállítani, a teher megtartása és elosztása érdekében a függőleges tartók lábai alá fadesszkákat (nincs mellékelve) kell helyezni. A fa deszkalapok vastagsága nem haladhatja meg a 2 cm-t.

SV VARNING

jämna ut botten

Häll 1" till 2" vatten i poolen för att täcka golvet. Då poolgolvet är något täckt, ska du släta ut alla veck. Börja i mitten av poolen och arbeta dig medsols utåt.

Montera inte på en mjuk gräsmatta. Om du måste montera poolen på ett mjukt underlag, måste träskivor (ingår ej) placeras under fötterna på de vertikala stöden för att sprida belastningen. Träskivorna ska inte överstiga 2 cm i tjocklek.



EN COMPONENTS LIST

NOTE: Some parts already have been installed on the pool.

PT LISTA DE COMPONENTES

NOTA: Algumas peças já foram instaladas na piscina.

ES LISTA DE COMPONENTES

NOTA: Algunas partes ya han sido instaladas en la piscina.

DE STÜCKLISTE

HINWEIS: Einige Teile wurden bereits am Pool installiert.

FI KOMPONENTIDIE LOEND

HUOMAA: Jotkin osat on jo asennettu altaaseen.

NL ONDERDELENLIJST

OPMERKING: Sommige delen werden al op het zwembad geïnstalleerd.

IT ELENCO COMPONENTI

NOTA: Alcune parti sono già state installate sulla piscina.

FR LISTE DES COMPOSANTS

REMARQUE : Certaines pièces ont déjà été installées sur la piscine.

EL ΛΙΣΤΑ ΕΞΑΡΤΗΜΑΤΩΝ

ΣΗΜΕΙΩΣΗ: ΟΡΙΣΜΕΝΑ ΕΞΑΡΤΗΜΑΤΑ ΕΧΟΥΝ ΗΔΗ ΕΓΚΑΤΑΣΤΑΘΕΙ ΣΤΗΝ ΠΙΣΙΝΑ.

RU СПЕЦИФИКАЦИЯ ДЕТАЛЕЙ

ПРИМЕЧАНИЕ. Некоторые детали уже установлены на бассейне.

PL LISTA ELEMENTÓW

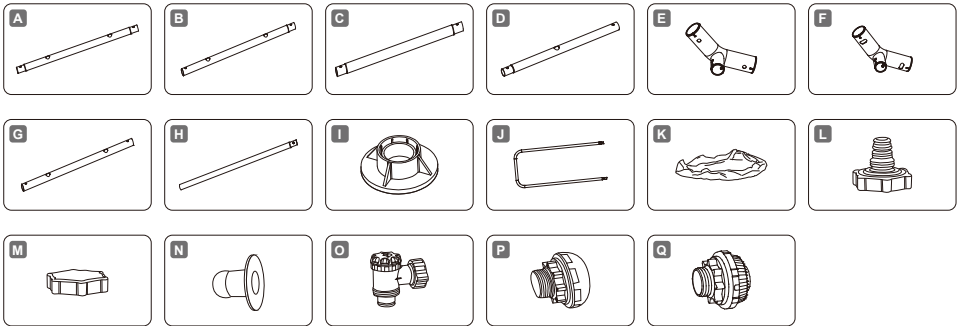
UWAGA: Niektóre z części zostały już zamontowane do basenu.

HU TARTOZÉKLISTA

MEGJEGYZÉS: Néhány részegység eleve fel van szerelve a medencére.

SV KOMPONENTLISTA

OBS! Vissa delar redan har installerats på poolen.



POWER STEEL™	3.05 m x 2.00 m x 84 cm (10' x 6'7" x 33")	4.27 m x 2.50 m x 1.00 m (14' x 8'2" x 39.5")	4.88 m x 3.05 m x 1.07 m (16' x 10' x 42")	5.49 m x 2.74 m x 1.22 m (18' x 9' x 48")	6.10 m x 3.66 m x 1.22 m (20' x 12' x 48")	7.32 m x 3.66 m x 1.22 m (24' x 12' x 48")
	5614A	56620 / 56622 56714 / 56715	56448 / 56450 56946	56710 / 56711 56716 / 56717	5611S / 5611R	5611U / 5611T
A	x2	x2	x2	x4	x4	x2
B	x2	x0	x0	x0	x0	x6
C	x6	x8	x8	x8	x8	x8
D	x0	x4	x4	x0	x0	x0
E	x4	x6	x6	x6	x6	x6
F	x4	x4	x4	x4	x4	x4
G	x0	x0	x0	x2	x2	x0
H	x8	x10	x10	x10	x10	x10
I	x8	x10	x10	x10	x10	x10
J	x4	x4	x4	x6	x6	x8
K	x1	x1	x1	x1	x1	x1
L	x1	x1	x1	x1	x1	x1
M	x1	x1	x1	x1	x1	x1
N	x2	x2	x2	x0	x0	x0
O	x0	x0	x0	x2	x2	x2
P	x0	x0	x0	x1	x1	x1
Q	x0	x0	x0	x1	x1	x1

EN STRUCTURE

Before assembling your pool, please take a few minutes to check all the parts and become familiar with their position.

NOTE: Drawing for illustration purpose only. May not reflect actual product. Not to scale.

PT ESTRUTURA

Antes de montar el piscina, por favor compruebe que tiene todas las piezas y familiarícese con las mismas.

NOTA: O desenho serve apenas para fins ilustrativos. Pode não ilustrar o produto real. Não está à escala.

ES ESTRUCTURA

Antes de montar la piscina, compruebe que dispone de todas las piezas y lea las instrucciones proporcionadas.

NOTA: Las ilustraciones se incluyen únicamente a título indicativo. Puede que no se correspondan con el producto real. No a escala.

DE AUFBAU

Nehmen Sie sich vor der Montage Ihres Pools einige Minuten Zeit, um alle Teile zu prüfen und sich mit ihrer Position vertraut zu machen.

HINWEIS: Zeichnung dient nur zu Illustrationszwecken. Abweichungen zum Produkt möglich. Nicht maßstabsgetreu.

FI RAKENNE

Tarkista kaikki osat ja perehdy niiden oikeaan sijaintiin ennen kuin kokoat altaan.

MÄRKUS: Kõik joonised on vaid illustratiivsed. Ei pruugi kujutada tegelikku toodet. Ei ole skaaleeritav.

NL STRUCTUUR

Vooraleer het zwembad te assembleren, neem enkele minuten om alle onderdelen te controleren en vertrouwd te raken met hun positie.

OPMERKING: Tekening enkel voor illustratiedoeleinden. Mogelijk geen weerspiegeling van het werkelijke product. Niet op schaal.

IT STRUTTURA

Prima di montare la piscina, verificare la presenza di tutti i componenti, cercando di capire dove posizionarli.

NOTA: I disegni sono riportati solo a scopo illustrativo e potrebbero essere diversi dal prodotto. I disegni non sono in scala.

FR STRUCTURE

Avant de monter votre piscine, prenez quelques minutes pour contrôler toutes les pièces et pour vous familiariser avec leur position.

REMARQUE : Les dessins ne sont qu'à titre d'illustration. Il peut arriver qu'ils ne reflètent pas le produit réel. Pas à l'échelle.

EL ΔΟΜΗ

ΠΡΙΝ ΣΥΝΑΡΜΟΛΟΓΗΣΕΤΕ ΤΗΝ ΠΙΣΙΝΑ ΣΑΣ, ΑΦΙΕΡΩΣΤΕ ΛΙΓΑ ΛΕΠΤΑ ΓΙΑ ΝΑ ΕΛΕΓΞΕΤΕ ΟΛΑ ΤΑ ΜΕΡΗ ΚΑΙ ΝΑ ΕΞΕΘΙΚΩΘΕΙΤΕ ΜΕ ΤΗ ΘΕΣΗ ΤΟΥΣ.

ΣΗΜΕΙΩΣΗ: ΤΑ ΣΧΕΔΙΑ ΕΙΝΑΙ ΜΟΝΟ ΓΙΑ ΛΟΓΟΥΣ ΑΠΕΙΚΟΝΙΣΗΣ. ΜΠΟΡΕΙ ΝΑ ΜΗΝ ΑΝΤΑΠΟΚΡΙΝΟΝΤΑΙ ΣΤΟ ΠΡΑΓΜΑΤΙΚΟ ΠΡΟΪΟΝ. ΔΕΝ ΕΙΝΑΙ ΥΠΟ ΚΛΙΜΑΚΑ.

RU КОНСТРУКЦИЯ

Перед сборкой бассейна потратьте несколько минут, чтобы проверить наличие всех частей и познакомиться с их расположением.

ПРИМЕЧАНИЕ: Изображения на схемах предназначены только для целей иллюстрации. Они могут не отображать конкретное изделие. Схемы не отображают действительный масштаб.

PL KONSTRUKCJA

Przed montażem basenu poświęć kilka minut na sprawdzenie części i zapoznanie się z ich odpowiednim ustawieniem.

UWAGA: Rysunki zostały zamieszczone wyłącznie w celach ilustracyjnych. Mogą odbiegać one od rzeczywistego wyglądu produktu. Nie wykonane w skali.

HU SZERKEZET

A medence összeszerelése előtt szenteljen néhány percet arra, hogy az összes részt ellenőrizze és ismerkedjen meg a szerelési pozíciójával.

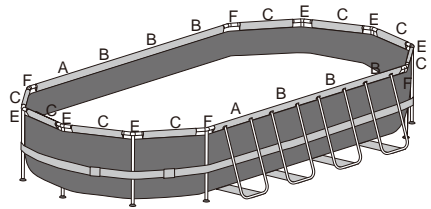
MEGJEGYZÉS: Az ábra csak illusztrációként szolgál. Az ábrák nem feltétlenül a vonatkozó terméket mutatják. Nem méretarányosak.

SV STRUKTUR

Innan du monterar poolen, ta dig några minuter för att kontrollera alla delarna och för att kontrollera deras läge.

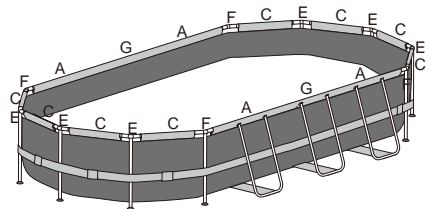
OBS! Bilderna är endast i illustrerande syfte. Behöver inte motsvara faktiskt produkt. Ej skalening.

7.32 m x 3.66 m x 1.22 m (24' x 12' x 48")



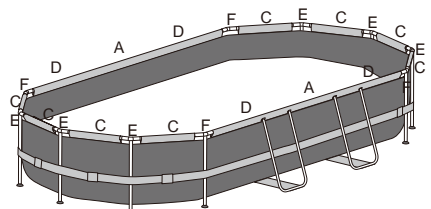
6.10 m x 3.66 m x 1.22 m (20' x 12' x 48")

5.49 m x 2.74 m x 1.22 m (18' x 9' x 48")

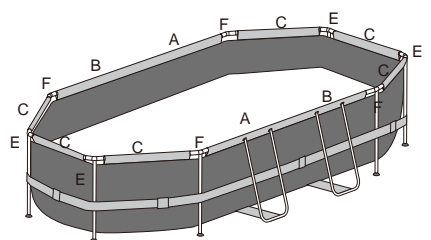


4.88 m x 3.05 m x 1.07 m (16' x 10' x 42")

4.27 m x 2.50 m x 1.00 m (14' x 8'2" x 39.5")



3.05 m x 2.00 m x 84 cm (10' x 6'7" x 33")



POWER STEEL™ OVAL POOLS OWNER'S MANUAL



⚠ WARNING

Carefully read, understand, and follow all information in this user manual before installing and using the swimming pool. These warnings, instructions, and safety guidelines address some common risks of water recreation, but they cannot cover all risks and dangers in all cases. Always use caution, common sense, and good judgment when enjoying any water activity. Retain this information for future use.

Non Swimmers safety

- Continuous, active, and vigilant supervision of weak swimmers and non-swimmers by a competent adult is required at all times (remembering that children under five are at the highest risk of drowning).
- Designate a competent adult to supervise the pool each time it is being used.
- Weak swimmers or non-swimmers should wear personal protection equipment when using the pool.
- When the pool is not in use, or unsupervised, remove all toys from the swimming pool and its surrounding to avoid attracting children to the pool.

Safety devices

- In order to prevent children from drowning, it is recommended to secure the access to the pool with a protection device. In order to prevent children climbing from the inlet and outlet valve, it is recommended to install a barrier (and secure all doors and windows, where applicable) to prevent unauthorized access to the swimming pool.
- Barriers, pool covers, pool alarms, or similar safety devices are helpful aids, but they are not substitutes for continuous and competent adult supervision.

Safety equipment

- It is recommended to keep rescue equipment (e.g. a ring buoy) by the pool.
- Keep a working phone and a list of emergency phone numbers near the pool.

Safe use of the pool

- Encourage all users especially children to learn how to swim
- Learn Basic Life Support (Cardiopulmonary Resuscitation - CPR) and refresh this knowledge regularly. This can make a life-saving difference in the event of an emergency.
- Instruct all pool users, including children, what to do in case of an emergency.
- Never dive into any shallow body of water. This can lead to serious injury or death.
- Do not use the swimming pool when using alcohol or medication that may impair your ability to safely use the pool.
- When pool covers are used, remove them completely from the water surface before entering the pool.
- Protect pool occupants from water related illnesses by keeping the pool water treated and practicing good hygiene. Consult the water treatment guidelines in the user's manual.
- Store chemicals (e.g. water treatment, cleaning or disinfection products) out of the reach of children.
- Use the signage as outlined below. Signage is to be displayed in a prominent position within 2m of the pool.



- Keep children under supervision in the aquatic environment. No diving.
- Removable ladders shall be placed on a horizontal surface.
- Irrespective of materials used for swimming pool construction,

accessible surfaces have to be checked regularly to avoid injuries.

- Regularly monitor bolts and screws. Remove splinters or any sharp edges to avoid injuries.
 - ATTENTION:** Do not leave the drained pool outside. The empty pool is liable to become deformed and/or displaced due to wind.
 - If you have a filter pump, refer to the pump's manual for instructions.
 - WARNING!** The pump cannot be used while people are inside the pool!
 - If you have a ladder, refer to the ladder's manual for instructions.
 - WARNING!** The use of a swimming pool implies compliance with the safety instructions described in the operating and maintenance guide.
- In order to prevent drowning or other serious injuries, pay particular attention to the possibility of unexpected access to the swimming pool by children under 5 years by securing the access to it, and, during the bathing period, keep them under constant adult supervision.

Please read carefully and keep for future reference

CHOOSE THE CORRECT LOCATION

The surface chosen to install the pool must respect the following technical characteristics:

1. Because of the combined weight of the water inside the pool and the pool users, it is extremely important that the surface chosen to install the pool is capable of uniformly supporting the total weight for the entire time the pool is installed. When choosing the surface, take into consideration that water may come out of the pool when in use or in the rain. If the water softens the surface, it may lose its capability to support the pool weight.
2. Check regularly the position of the vertical legs and the U-supports. They must be on the same level as the bottom of the pool at all times. If the vertical leg or the U-support starts to sink into the ground, drain the water immediately to avoid the pool collapsing due to the uneven loading on the frame structure. Change the location of the pool or modify the surface material.
3. We recommend positioning the pool away from any children objects could use to climb into the pool.
4. Position the pool near an adequate drainage system to deal with overflow or to discharge the pool.
5. The surface must be flat and smooth. If the surface is inclined or uneven, it can create an unbalanced loading on the structure of the pool. This situation can damage the welding point of the liner and bend the frame. In the worst cases, the pool can collapse, causing serious personal injury and/or damage to personal property.
6. The selected surface must be clear of any type of object. Due to the weight of the water, any object under the pool could damage or perforate the bottom of the pool.
7. The selected surface must be clear of aggressive plants and weed species. Those types of strong vegetation could grow through the liner and create water leakage. The grass or other vegetation that may cause odor or slime to develop have to be eliminated from the set-up location.
8. The selected location must not have overhead power lines or trees. Be sure the location does not contain underground utility pipes, lines or cables of any kind.
9. The selected position must be far from house entrance. Do not position any equipment or other furniture around the pool. The water that comes out of the pool during the use or due to a faulty product can damage the furniture inside the house or surrounding the pool.
10. The selected surface must be flat and without holes that can damage the material of the liner.

Follow the important instructions above to choose the correct surface and location to set up your pool. Damage parts of the pool, due to the fact that the set-up surface and location does not match the instructions, will not be considered as manufacture defect and will avoid the warranty and any service claims.

Suggested set-up surfaces: grass, ground, concrete, and all other surfaces that respect the above set-up conditions.

Not suggested surfaces: mud, sand, gravel, deck, balcony, driveway, platform, soft/loose soil or other surface that does not meet the above set-up conditions.

NOTE: Check with your local city council for by-laws relating to fencing, barriers, lighting and safety requirements and ensure you comply with all laws.

NOTE: If have a filter pump, refer to the pump's manual for instructions.

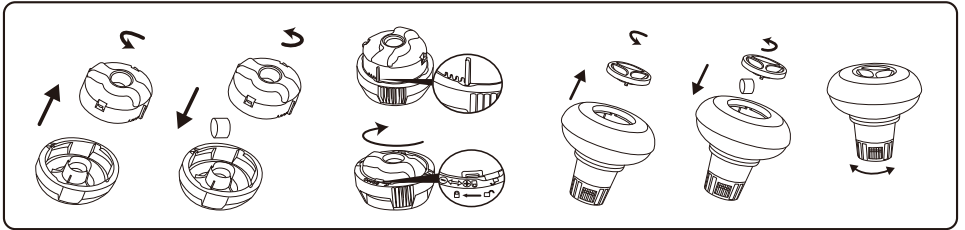
NOTE: The ladder must match the pool size and should be used only for entering and exiting the pool. It is forbidden to exceed the permitted payload of the ladder. Check regularly if the ladder is properly assembled.

POOL MAINTENANCE

If you do not adhere to the maintenance guidelines below, your health might be at risk, especially that of your children.

Using chemical tablets (not included):

NOTE: Chemconnect or Chemical Floater must be used when you perform chemical maintenance with tablets. Your purchased item may not include any of those dispensers, in this case you can purchase it by visiting our website www.bestwaycorp.com or at the nearest pool dealer.



IMPORTANT: Don't use granulate tablets or throw the tablet directly in the water. The chemicals can deposit on the bottom, damage the material and discolor the PVC.

Using chemical liquid (not included):

IMPORTANT: Add chemical liquid in small doses and in the center of the pool to avoid direct contact between the chemicals and the PVC surface. Direct contact can damage the material and discolor the surface.

NOTE: Remove the chemical dispenser from pool when the pool is in use.

IMPORTANT: After performing chemical maintenance and before using the pool, use a test kit (not included) to test the water chemistry. We recommend maintaining your water according to the following table.

Parameters	Values
Water clarity	clear view of the pool bottom
Colour of the water	no colour should be observed
Turbidity in FNU/NTU	max. 1,5 (preferably less than 0,5)
Nitrate concentration above that of fill water in mg/l	max. 20
Total organic carbon (TOC) in mg/l	max. 4,0
Redox potential against Ag/AgCl 3,5 m KCl in mV	min. 650
pH value	6,8 to 7,6
Free active chlorine (without cyanuric acid) in mg/l	0,3 to 1,5
Free chlorine used in combination with cyanuric acid in mg/l	1,0 to 3,0
Cyanuric acid in mg/l	max. 100
Combined chlorine in mg/l	max. 0,5 (preferably close to 0,0 mg/l)

NOTE: Damage resulting from chemical imbalance is not covered by the warranty. Pool chemicals are potentially toxic and should be handled with care. There are serious health risks from chemical vapors and the incorrect labeling and storage of chemical containers. Please consult your local pool supply retailer for more information about chemical maintenance. Pay close attention to the chemical manufacturer's instructions. Pool damage resulting from misuse of chemicals and mismanagement of pool water is not covered by the warranty.

IMPORTANT: Over usage of chemicals can discolor the printing and all points of the pool material. It can also damage the structure of the pool liner.

To keep your pool clean:

1. Contact your local pool supply shop for advice and purchase of chemicals and pH kits. One of the most important factors to increase the life of the liner is to keep continuously clean and healthy water. Please strictly follow the instructions from professional technicians for the water treatment through the use of chemicals.
2. Locate a bucket of water next to pool to clean users' feet before entering pool.
3. Cover the pool when not in use.
4. Skim pool regularly to avoid settled dirt.
5. Check and wash the filter cartridge regularly.

6. Gently clean any scum from below the top ring with a clean cloth.
7. Please be careful in case of rain water, kindly check that the water level is not higher than the expected. If so, **YOU HAVE TO DISCHARGE THE EXCESS WATER.**
8. If it rains, check that the water level is not higher than the specified level. If water exceeds the specified levels, drain the pool to the specified level.

Proper maintenance can maximize the life of your pool.

During the season of use of the swimming pool, the filtration system must be necessarily put into service every day, enough time to assure at least a complete renewal of the volume of water.

NOTE: The pump is used to circulate the water and to filter small particles. In order to keep your pool water clean and hygienic, you must also add chemicals.

REPAIR

In the event of a leak, patch your pool using the underwater adhesive repair patch provided. You can find the instructions in FAQs on the support section of our website, www.bestwaycorp.com.

DISMANTLING

1. Unscrew the drain valve cap on the outside of the pool counter clockwise and remove.
2. Connect the adaptor to the hose and put the other end of the hose in the area where you are going to drain your pool. (Check local regulations for drainage by-laws).
3. Screw control ring of the hose adaptor onto the drain valve clockwise. The drain valve will be open and water will start to drain automatically.
ATTENTION: Water flow can be controlled with the control ring.
4. When draining is finished, unscrew the control ring to close the valve.
5. Disconnect the hose.
6. Screw the cap back onto the drain valve.
7. Air dry pool.
ATTENTION: Do not leave the drained pool outside.

STORAGE

1. Please remove all the accessories and spare parts of the pool and store them clean and dry.
2. Once pool is completely dry, sprinkle with talcum powder to prevent pool from sticking together, fold pool carefully. If pool is not completely dry, mold may result and will damage the pool liner.
3. Store liner and accessories in a dry place with a moderate temperature between 5°C / 41°F and 38°C / 100°F.
4. During the rainy season, pool and accessories should be stored as per above instructions also.
5. Improper draining of the pool might cause serious personal injury and/or damage to personal property.
6. We strongly recommend the pool is disassembled during the off season (winter months). Store in a dry location out of children's reach.

PISCINAS OVAIS POWER STEEL™ MANUAL DO PROPRIETÁRIO

Visite o canal da Bestway no YouTube 

△ ATENÇÃO

Leia atentamente, compreenda e siga todas as instruções contidas neste manual de utilizador antes de instalar e utilizar a piscina. Estes avisos, instruções e orientações de segurança visam alguns riscos comuns de divertimentos aquáticos, contudo não podem abranger todos os riscos e perigos em todos os casos. Sempre que desfrutar de uma actividade aquática, deve ter cuidado, senso comum e bom discernimento. Preserve esta informação para utilização futura.

Segurança dos Não-Nadadores

- É sempre necessária uma supervisão contínua, activa e vigilante dos nadadores mais vulneráveis e dos não-nadadores por um adulto competente (lembre-se que as crianças com idade inferior a cinco anos correm o risco mais elevado de afogamento).
- Nomeie um adulto competente para supervisionar a piscina sempre que esteja em utilização.
- Os nadadores mais vulneráveis ou não-nadadores devem utilizar equipamento de protecção pessoal sempre que utilizarem a piscina.
- Sempre que a piscina não estiver a ser utilizada ou sem supervisão, retire todos os brinquedos da piscina e dos seus arredores para evitar atrair crianças até à piscina.

Dispositivos de segurança

- De modo a prevenir que as crianças se afoguem, recomenda-se que proteja o acesso à piscina com um dispositivo de protecção. De modo a prevenir que as crianças subam pelas válvulas de entrada e saída, recomenda-se que instale uma barreira (e proteja todas as portas e janelas, sempre que aplicável) para prevenir o acesso não autorizado à piscina.
- Barreiras, coberturas de piscina, alarmes de piscina ou dispositivos de segurança semelhantes são auxiliares muito úteis, embora não substituam a supervisão contínua e competente por um adulto.

Equipamento de segurança

- Recomenda-se que mantenha equipamento de resgate (ex., uma bóia em anel) nas proximidades da piscina.
- Mantenha um telefone funcional e uma lista de telefones de emergência nas proximidades da piscina.

Utilização segura da piscina

- Encoraje todos os utilizadores, em especial as crianças, a aprender a nadar
- Aprenda medidas de Suporte Básico de Vida (Ressuscitação Cardiopulmonar - RCP) e renove este conhecimento regularmente. Isto pode ajudar a salvar vidas em caso de emergência.
- Instrua todos os utilizadores da piscina, incluindo as crianças, acerca do que devem fazer em caso de emergência
- Nunca mergulhe em corpos de água pouco profundos. Isto pode causar ferimentos graves ou morte.
- Não utilize a piscina quando ingerir álcool ou medicamentos que possam afectar a sua capacidade para desfrutar dela em segurança.
- Caso tenha uma cobertura de piscina, retire-a completamente da superfície da água antes de entrar na piscina.
- Proteja os ocupantes da piscina de doenças relacionadas com a água, mantendo a água da piscina tratada e praticando uma boa higiene. Consulte as orientações de tratamento da água contidas no manual de utilizador.
- Armazene os químicos (ex., produtos de tratamento, limpeza e desinfecção da água) fora do alcance das crianças.
- Utilize a sinalização conforme indicado abaixo. A sinalização deve ser exibida numa posição proeminente a 2m da piscina.



Mantenha as crianças sob supervisão no meio aquático. Não mergulhe.

- As escadas amovíveis devem ser colocadas numa superfície horizontal.

- Independentemente dos materiais utilizados na construção da

piscina, as superfícies acessíveis devem ser verificadas regularmente para evitar ferimentos.

- Monitoreze regularmente os parafusos e remova lascas ou quaisquer arestas afiadas para evitar ferimentos.

ATENÇÃO: Não deixe a piscina drenada no exterior. Quando vazia, a piscina fica susceptível a sofrer deformações e/ou deslocamentos devido ao vento.

- Se tiver uma bomba de filtro, consulte o manual da bomba para obter instruções.

ATENÇÃO: A bomba não pode ser utilizada enquanto a piscina estiver ocupada!

- Se tiver uma escada, consulte o manual da escada para obter instruções.

ATENÇÃO: A utilização de uma piscina implica o cumprimento das instruções de segurança descritas no guia de funcionamento e manutenção. Para prevenir afogamentos ou outros ferimentos graves, preste especial atenção à possibilidade das crianças com idade inferior a 5 anos acederem à piscina de forma inesperada, através da protecção do acesso à mesma, e mantendo-as sob supervisão constante de um adulto durante o período de banhos.

Por favor leia cuidadosamente e guarde para referência futura.

SELECIONE O LOCALIZAÇÃO CORRETO

A superfície escolhida para instalação da piscina deve respeitar as seguintes características técnicas:

1. Devido ao peso combinado da água dentro da piscina e dos usuários da piscina, é extremamente importante que a superfície escolhida para instalar a piscina seja capaz de suportar uniformemente o peso total durante todo o tempo de instalação da piscina. Na hora de escolher a superfície, lembre-se que a água pode sair da piscina durante o uso ou na chuva. Se a água amolecer a superfície, pode perder a capacidade de suportar o peso da piscina.
2. Verifique periodicamente a posição das pernas verticais e suportes em U. Eles devem permanecer nivelados com o fundo da piscina o tempo todo. Se a perna vertical ou o suporte em forma de U começarem a afundar no solo, drene a água imediatamente para evitar que a piscina desmorone devido a uma carga desigual suportada pela estrutura tubular. Mude a localização da piscina ou modifique o material da superfície.
3. Recomendamos colocar a piscina longe de qualquer coisa que as crianças possam usar para entrar na piscina.
4. Coloque a piscina perto de um sistema de drenagem adequado para lidar com um transbordamento ou para esvaziar a piscina.
5. A superfície deve ser plana e lisa. Se a superfície for inclinada ou irregular, pode criar uma carga desequilibrada na estrutura da piscina. Esta situação pode danificar o ponto de solda do revestimento e entortar a estrutura. Na pior das hipóteses, a piscina pode desabar, causando sérios ferimentos pessoais e / ou danos materiais.
6. A superfície selecionada deve estar livre de qualquer tipo de objeto. Devido ao peso da água, qualquer coisa embaixo da piscina pode danificar ou furar o fundo da piscina.
7. A superfície selecionada deve estar livre de plantas agressivas e espécies daninhas. Essa vegetação forte pode crescer através do tapume e criar vazamentos de água. Grama ou outra vegetação que possa causar odor ou formação de lama deve ser removida do local de instalação.
8. O local selecionado não deve ter linhas de alta tensão ou árvores. Certifique-se de que o local não contenha tubos, linhas ou cabos subterrâneos de qualquer tipo.
9. A posição selecionada deve ser longe da entrada da casa. Não coloque nenhum equipamento ou outro móvel ao redor da piscina. A água que sai da piscina durante o uso ou por efeito de um produto defeituoso pode danificar os móveis dentro da casa ou ao redor da piscina.
10. A superfície selecionada deve ser plana e ser offícios que possam danificar o material do revestimento.

Siga as instruções importantes acima para escolher a superfície e o local corretos para configurar sua piscina. As partes danificadas da piscina, devido à superfície de montagem e localização não condizente com as instruções, não serão consideradas defeito de fabricação e não serão cobertas pela garantia.

Superfícies de montagem sugeridas: grama, concreto e todas as outras superfícies que respeitem as condições de montagem acima. **Superfícies não sugeridas:** lama, areia, cascalho, decks, varandas, calçada, deck, solo macio / solto ou outra superfície que não atenda às condições de configuração acima.

NOTA: Verifique com o conselho municipal local os estatutos relativos a cercas, barreiras, iluminação e requisitos de segurança e certifique-se de cumprir todas as leis.

NOTA: Se você tiver uma bomba de filtro, consulte o manual da bomba para obter instruções.

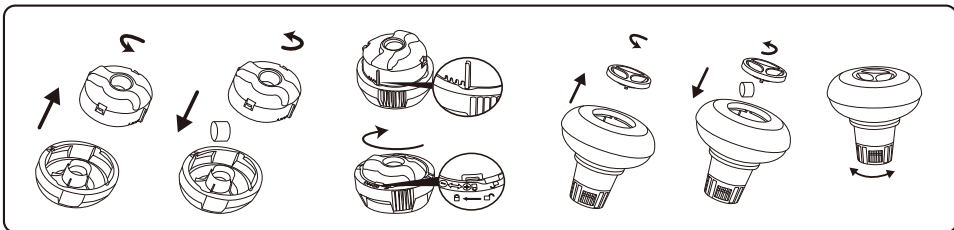
NOTA: A escada deve corresponder ao tamanho da piscina e deve ser usada apenas para entrar e sair da piscina. É proibido ultrapassar a carga útil permitida da escada. Verifique regularmente se a escada está montada corretamente.

MANUTENÇÃO DA PISCINA

Se você não cumprir as diretrizes de manutenção detalhadas abaixo, sua saúde pode estar em risco, especialmente a de seus filhos.

Uso de comprimidos químicos (não incluídos):

NOTA: O Chemconnect ou o Chemical Floater devem ser usados ao realizar manutenção química com os comprimidos. O item adquirido pode não incluir nenhum desses dispensadores; nesse caso, você pode comprá-lo visitando nosso site www.bestwaycorp.com ou o distribuidor de piscina mais próximo.



IMPORTANTE: Não use comprimidos granulados ou jogue-o diretamente na água. Os produtos químicos podem assentar no fundo, danificar o material e descolorir o PVC.

Uso de líquido químico (não incluído):

IMPORTANTE: Adicione líquido químico em pequenas doses e no centro da piscina para evitar o contato direto entre os produtos químicos e a superfície do PVC. O contato direto pode danificar o material e descolorir a superfície.

NOTA: Remova o distribuidor de produtos químicos da piscina quando a piscina estiver em uso.

IMPORTANTE: Após realizar a manutenção química e antes de usar a piscina, use um kit de teste (não incluído) para testar a química da água. Recomendamos manter a água de acordo com a tabela a seguir.

Parâmetros	Valores
Clareza da água	Visão clara do fundo da piscina
Cor de água	A cor não deve ser observada
Turvação em UNF / NTU	máx. 1,5 (preferencialmente menor que 0,5)
Concentração de nitrato superior à água em mg / l	max. 20
Carbono orgânico total (TOC) em mg / l	max. 4,0
Potencial redox contra Ag / AgCL 3,5 m KCl em mV	min. 650
Valor de pH	de 6,8 a 7,6
Cloro ativo livre (sem ácido cianúrico) em mg / l	de 0,3 a 1,5
Cloro livre usado em combinação com ácido cianúrico em mg / l	de 1,0 a 3,0
Ácido cianúrico em mg / l	max. 100
Cloro combinado em mg / l	máx. 0,5 (de preferência perto de 0,0 mg / l)

NOTA: Danos resultantes de desequilíbrio químico não são cobertos pela garantia. Os produtos químicos da piscina são potencialmente tóxicos e devem ser manuseados com cuidado. Existem sérios riscos para a saúde causados por vapores químicos e rotulagem e armazenamento inadequados de recipientes químicos. Consulte o seu distribuidor local de suprimentos para piscinas para obter mais informações sobre manutenção química. Preste muita atenção às instruções do fabricante de produtos químicos. A garantia não cobre danos causados pelo uso inadequado de produtos químicos e manuseio inadequado da água da piscina.

IMPORTANTE: O uso excessivo de produtos químicos pode descolorir a impressão e todos os pontos do material da piscina. Também pode danificar a estrutura do revestimento da piscina.

Para manter sua piscina limpa:

1. Entre em contato com a loja de suprimentos da piscina local para obter orientação e comprar produtos químicos e kits de pH. Um dos fatores mais importantes para aumentar a vida útil do revestimento é manter a água limpa e saudável continuamente. Siga rigorosamente as instruções de técnicos profissionais para tratamento de água usando produtos químicos.
2. Coloque um balde de água ao lado da piscina para limpar os pés dos usuários antes de entrar na piscina.
3. Cubra a piscina quando não estiver em uso.
4. Limpe a piscina regularmente para evitar acúmulo de sujeira.

5. Verifique e lave o cartucho do filtro regularmente.
6. Limpe cuidadosamente qualquer escória de baixo do anel superior com um pano limpo.
7. Tenha cuidado em caso de chuva, verifique se o nível da água não está acima do esperado. Nesse caso, você DEVE baixar o excesso de água.
8. Se chover, verifique se o nível da água não excede o nível especificado. Se a água exceder os níveis especificados, drene a piscina para o nível especificado.

A manutenção adequada pode maximizar a vida útil da sua piscina.

Durante a estação de uso da piscina, o sistema de filtragem deve necessariamente ser colocado em serviço todos os dias, tempo suficiente para garantir pelo menos uma renovação completa do volume de água.

NOTA: A bomba é usada para circular a água e filtrar pequenas partículas. Para manter a água da piscina limpa e higiênica, você também deve adicionar produtos químicos.

REPARAÇÃO

Em caso de vazamento, repare sua piscina usando o adesivo adesivo subaquático fornecido. Você pode encontrar as instruções em Perguntas frequentes na seção de suporte do nosso site, www.bestwaycorp.com.

DESMONTAGEM

1. Desparafusar o tampão da válvula de dreno na parte externa da piscina, no sentido anti-horário, e removê-lo.
2. Ligar o adaptador à mangueira e colocar a outra extremidade na área de drenagem da água contida na piscina. (Verificar os regulamentos locais sobre as leis de drenagem)
3. Aparafuse o anel de controle do adaptador de mangueira em sentido horário na válvula de drenagem. A válvula de drenagem será aberta e a água começará a drenar automaticamente.

ATENÇÃO: O escoamento da água pode ser controlado pelo anel de comando.

4. Quando a drenagem tiver terminado, desparafusar o anel de comando para fechar a válvula.
5. Retirar a mangueira.
6. Parafusar o tampão na válvula de dreno.
7. Esvaziar a piscina.

ATENÇÃO: Não deixar a piscina vazia ao ar livre.

CONSERVAÇÃO

1. Por favor remova todos os acessórios e peças sobresselentes da piscina e armazene-as limpas e secas.
2. Assim que a piscina estiver totalmente seca, polvilhe com pó de talco para evitar que a piscina cole, dobre a piscina cuidadosamente. Caso a piscina não estiver totalmente seca, podem surgir fungos que irão danificar o forro da piscina.
3. Armazene o forro e os acessórios num local seco com uma temperatura moderada entre 5°C / 41°F e 38°C / 100°F.
4. Durante a estação das chuvas, a piscina e os acessórios também devem ser armazenados consoante as instruções acima.
5. A drenagem inadequada da piscina pode causar ferimentos pessoais graves e/ou danos a propriedade.
6. Recomendamos fortemente que a piscina seja desmontada fora da estação (meses de inverno). Armazene num local seco fora do alcance das crianças.

PISCINAS OVALADAS POWER STEEL™ MANUAL DE INSTRUCCIONES

Visite el canal de YouTube de Bestway 



⚠ ADVERTENCIA

Lea atentamente, comprenda y siga toda la información contenida en este manual antes de instalar y utilizar la piscina. Estas advertencias, instrucciones y normas de seguridad abordan algunos de los riesgos más comunes relacionados con el ocio acuático, pero no cubren todos los riesgos y peligros en cualquier caso. Sea siempre prudente y utilice el sentido común y el buen juicio cuando disfrute de cualquier actividad acuática. Conserve esta información para su uso futuro.

Seguridad de los no nadadores

- Los nadadores principiantes y los no nadadores requieren de la supervisión continua, activa y atenta de un adulto competente en todo momento (recuerde que los menores de cinco años cuentan con el mayor riesgo de ahogamiento).
- Asigne a un adulto competente la tarea de supervisar la piscina cada vez que esta esté en uso.
- Los nadadores principiantes o los no nadadores deben llevar un equipo de protección personal cuando utilicen la piscina.
- Cuando no se esté utilizando la piscina, o no cuente con supervisión, retire todos los juguetes de ella y de sus alrededores para que no atraigan a los niños.

Dispositivos de seguridad

- Para prevenir el ahogamiento infantil, se recomienda asegurar el acceso a la piscina con algún dispositivo de seguridad. Para prevenir que los niños suban sobre las válvulas de entrada y de salida, se recomienda instalar una barrera (y asegurar todas las puertas y ventanas, donde sea necesario) para prevenir el acceso no autorizado a la piscina.
- Las barreras, cubiertas de piscina, alarmas de piscina o dispositivos de seguridad similares son ayudas útiles, pero no sustituyen la supervisión competente y constante de un adulto.

Equipos de seguridad

- Se recomienda tener los equipos de rescate (ej.: salvavidas) cerca de la piscina.
- Tenga un teléfono activo y una lista de números de emergencia cerca de la piscina.

Uso seguro de la piscina

- Anime a todos los usuarios, y especialmente a los niños, a aprender a nadar.
- Aprenda métodos de reanimación básica (reanimación cardiopulmonar - RCP) y repase este conocimiento regularmente. Esto puede marcar la diferencia en caso de emergencia.
- Enseñe a todos los usuarios de la piscina, niños incluidos, qué hacer en caso de emergencia.
- No se zambulla en aguas poco profundas. Esto podría causar graves daños o incluso muerte.
- No utilice la piscina cuando se encuentre bajo los efectos del alcohol o de medicamentos que puedan afectar a su capacidad de usar la piscina de manera segura.
- Cuando se utilizan las cubiertas de piscina, retírelas completamente de la superficie del agua antes de entrar en la piscina.
- Proteja a los usuarios de la piscina de enfermedades manteniendo el tratamiento del agua de la piscina y practicando buenos hábitos higiénicos. Consulte las directrices para el tratamiento del agua en el manual del usuario.
- Almacene los productos químicos (ej.: tratamientos para el agua, productos de limpieza o desinfección) fuera del alcance de los niños.
- Utilice la señalización como se especifica más abajo. La señalización se debe colocar en una posición visible y destacada dentro de un radio de 2 metros de la piscina.



- Supervise a los niños en el entorno acuático. Prohibido tirarse de cabeza.
- Las escaleras extraíbles deben colocarse sobre una superficie horizontal.
- Independientemente del material utilizado para la construcción de la

piscina, las superficies accesibles deben comprobarse regularmente para evitar lesiones.

- Compruebe regularmente los tornillos y tuercas; retire las astillas o cualquier borde afilado para evitar lesiones.
- ATENCIÓN:** No deje la piscina vacía en el exterior. La piscina vacía podría deformarse y/o desplazarse debido al viento.
- Si cuenta con una bomba de filtrado, consulte el manual de instrucciones de la bomba.
- ¡ADVERTENCIA!** La bomba no se puede poner en marcha mientras haya personas en el interior de la piscina.
- Si tiene una escalera, consulte su correspondiente manual para las instrucciones.
- ¡ADVERTENCIA!** El uso de una piscina implica el cumplimiento de las instrucciones de seguridad descritas en el manual de uso y mantenimiento. Para evitar ahogamiento y otras lesiones graves, preste una especial atención a la posibilidad de acceso inesperado a la piscina de niños de menos de 5 años, tomando las medidas de seguridad necesarias y, durante el periodo del baño, téngales bajo la vigilancia constante de un adulto.

Lea detenidamente y conserve este documento para consultas futuras.

SELECCIONE LA UBICACIÓN CORRECTA

La superficie elegida para instalar la piscina debe respetar las siguientes características técnicas:

1. Debido al peso combinado del agua del interior de la piscina y los usuarios de la misma, es extremadamente importante que la superficie elegida para instalar la piscina sea capaz de soportar uniformemente el peso total durante todo el tiempo que la piscina esté instalada. Al elegir la superficie, tenga en cuenta que el agua puede salir de la piscina, cuando está en uso o bajo la lluvia. Si el agua ablanda la superficie, puede perder su capacidad para soportar el peso de la piscina.
2. Compruebe periódicamente la posición de las patas verticales y los soportes en forma de U. Deben permanecer al mismo nivel que el fondo de la piscina en todo momento. Si la pata vertical o el soporte en forma de U comienza a hundirse en el suelo, drene el agua inmediatamente para evitar que la piscina se derrumbe debido a una carga desigual soportada por la estructura tubular. Cambie la ubicación de la piscina o modifique el material de la superficie.
3. Recomendamos colocar la piscina lejos de cualquier objeto que los niños puedan usar para meterse en la piscina.
4. Coloque la piscina cerca de un sistema de drenaje adecuado para hacer frente al desbordamiento o para vaciar la piscina.
5. La superficie debe ser plana y lisa. Si la superficie está inclinada o irregular, puede crear una carga desequilibrada en la estructura de la piscina. Esta situación puede dañar el punto de soldadura del liner y doblar la estructura. En el peor de los casos, la piscina puede colapsar, causando lesiones personales graves y / o daños a la propiedad.
6. La superficie seleccionada debe estar libre de cualquier tipo de objeto. Debido al peso del agua, cualquier objeto debajo de la piscina podría dañar o perforar el fondo de la piscina.
7. La superficie seleccionada debe estar libre de plantas agresivas y especies de malezas. Ese tipo de vegetación fuerte podría crecer a través del revestimiento y crear fugas de agua. La hierba u otra vegetación que pueda causar la formación de olores o lodos deben eliminarse del lugar de instalación.
8. La ubicación seleccionada no debe tener líneas eléctricas aéreas ni árboles. Asegúrese de que la ubicación no contenga tuberías, líneas o cables subterráneos de servicios públicos de ningún tipo.
9. La posición seleccionada debe estar lejos de la entrada de la casa. No coloque ningún equipo u otro mobiliario alrededor de la piscina. El agua que sale de la piscina durante el uso o por efecto de un producto defectuoso puede dañar los muebles del interior de la casa o del entorno de la piscina.
10. La superficie seleccionada debe ser plana y sin agujeros que puedan dañar el material del liner.

Siga las importantes instrucciones anteriores para elegir la superficie y la ubicación correctas para configurar su piscina. Las piezas que puedan dañarse de la piscina, debido a que la superficie de montaje y la ubicación no coinciden con las instrucciones, no se considerarán defectos de fabricación y no tendrán cubierta la garantía ni procediendo el reclamo de servicio posventa.

Superficies de montaje sugeridas: césped, hormigón y todas las demás superficies que respeten las condiciones de montaje anteriores.
Superficies no sugeridas: barro, arena, grava, terrazas, balcones, camino de entrada, plataforma, suelo blando / suelto u otra superficie que no cumpla con las condiciones de configuración anteriores.

NOTA: Consulte con su ayuntamiento local los estatutos relacionados con cercas, barreras, iluminación y requisitos de seguridad y asegúrese de cumplir con todas las leyes.

NOTA: Si tiene una bomba de filtrado, consulte el manual de la bomba para obtener instrucciones.

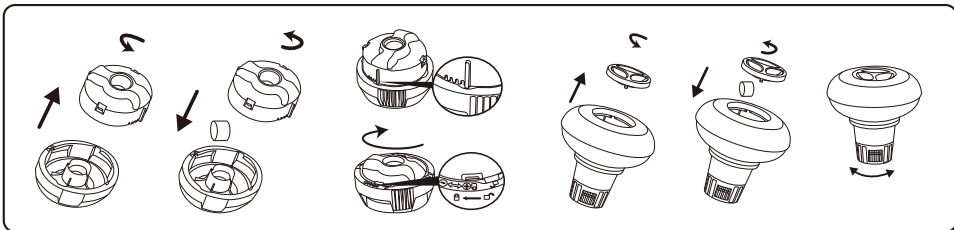
NOTA: La escalera debe coincidir con el tamaño de la piscina y debe usarse solo para entrar y salir de la piscina. Está prohibido exceder la carga útil permitida de la escalera. Compruebe con regularidad si la escalera está correctamente ensamblada.

MANTENIMIENTO DE PISCINAS

Si no cumple con las pautas de mantenimiento detalladas a continuación, su salud podría estar en riesgo, especialmente la de sus hijos.

Uso de tabletas químicas (no incluidas):

NOTA: Chemconnect o Chemical Floater deben usarse cuando realiza mantenimiento químico con tabletas. Su artículo comprado puede no incluir ninguno de esos dispensadores, en este caso puede comprarlo visitando nuestro sitio web www.bestwaycorp.com o en el distribuidor de piscinas más cercano.



IMPORTANTE: No use tabletas granuladas ni la arroje directamente al agua. Los productos químicos pueden depositarse en el fondo, dañar el material y decolorar el PVC.

Uso de líquido químico (no incluido):

IMPORTANTE: Agregue líquido químico en pequeñas dosis y en el centro de la piscina para evitar el contacto directo entre los químicos y la superficie de PVC. El contacto directo puede dañar el material y decolorar la superficie.

NOTA: Retire el dispensador de químicos de la piscina cuando la piscina esté en uso.

IMPORTANTE: Después de realizar el mantenimiento químico y antes de usar la piscina, use un kit de prueba (no incluido) para probar la química del agua. Recomendamos mantener su agua de acuerdo con la siguiente tabla.

Parámetros	Valores
Claridad del agua	Vista clara del fondo de la piscina
Color del agua	No se debe observar color
Turbidez en FNU / NTU	max. 1,5 (preferiblemente menos de 0,5)
Concentración de nitrato superior a la del agua en mg / l	max. 20
Carbono orgánico total (TOC) en mg / l	max. 4,0
Potencial redox contra Ag / AgCL 3,5 m KCl en mV	min. 650
Valor de pH	de 6,8 a 7,6
Cloro activo libre (sin ácido cianúrico) en mg / l	de 0,3 a 1,5
Cloro libre usado en combinación con ácido cianúrico en mg / l	de 1,0 a 3,0
Ácido cianúrico en mg / l	max. 100
Cloro combinado en mg / l	max. 0,5 (preferiblemente cercano a 0,0 mg / l)

NOTA: El daño resultante del desequilibrio químico no está cubierto por la garantía. Los productos químicos para piscinas son potencialmente tóxicos y deben manejarse con cuidado. Existen graves riesgos para la salud por los vapores químicos y el etiquetado y almacenamiento incorrectos de los contenedores químicos. Consulte a su distribuidor local de suministros de piscinas para obtener más información sobre el mantenimiento químico. Preste mucha atención a las instrucciones del fabricante del químico. La garantía no cubre los daños causados por el uso indebido de productos químicos y el mal manejo del agua de la piscina.

IMPORTANTE: el uso excesivo de productos químicos puede decolorar la impresión y todos los puntos del material de la piscina. También puede dañar la estructura del revestimiento de la piscina.

Para mantener su piscina limpia:

1. Póngase en contacto con su tienda local de suministros de piscinas para obtener asesoramiento y comprar productos químicos y kits de pH. Uno de los factores más importantes para aumentar la vida útil del revestimiento es mantener continuamente agua limpia y saludable. Siga estrictamente las instrucciones de técnicos profesionales para el tratamiento del agua mediante el uso de productos químicos.
2. Coloque un cubo de agua al lado de la piscina para limpiar los pies de los usuarios antes de entrar a la piscina.
3. Tape la piscina cuando no esté en uso.
4. Limpie la piscina regularmente para evitar la acumulación de suciedad.

5. Revise y lave el cartucho del filtro regularmente.
6. Limpie suavemente cualquier escoria de debajo del anillo superior con un paño limpio.
7. Tenga cuidado en caso de lluvia, verifique que el nivel del agua no sea superior al esperado. Si es así, **DEBE DESCARGAR EL EXCESO DE AGUA.**
8. Si llueve, verifique que el nivel del agua no sea superior al nivel especificado. Si el agua excede los niveles especificados, drene la piscina al nivel especificado.

Un mantenimiento adecuado puede maximizar la vida útil de su piscina.

Durante la temporada de uso de la piscina, el sistema de filtración debe ponerse necesariamente en servicio todos los días, tiempo suficiente para asegurar al menos una renovación completa del volumen de agua.

NOTA: La bomba se usa para hacer circular el agua y para filtrar partículas pequeñas. Para mantener el agua de su piscina limpia e higiénica, también debe agregar productos químicos.

REPARACIÓN

En el caso de una fuga, repare su piscina usando el parche de reparación adhesivo subacuático provisto. Puede encontrar las instrucciones en Preguntas frecuentes en la sección de soporte de nuestro sitio web, www.bestwaycorp.com.

DESMONTAJE

1. Desenrosque el tapón de la válvula de drenaje en la parte exterior de la piscina en sentido anti-horario y sáquelo.
2. Conecte el adaptador a la manguera y ponga el otro extremo de la manguera en el área donde desee drenar su piscina. (Compruebe la legislación local para saber si existen ordenanzas municipales acerca del drenaje).
3. Enrosque el anillo de control del adaptador de la manguera en la válvula de drenaje girando en sentido horario. La válvula de drenaje se abrirá y el agua empezará a fluir automáticamente.

ATENCIÓN: El flujo del agua puede controlarse con el anillo de control.

4. Cuando el drenaje haya acabado, destornille el anillo de control para cerrar la válvula.
5. Desconecte la manguera.
6. Enrosque el tapón otra vez en la válvula de drenaje.
7. Airee la piscina para secarla.

ATENCIÓN: No deje la piscina ya vacía en el exterior.

ALMACENAMIENTO

1. Retire todos los accesorios y las piezas de repuesto de la piscina, guárdelos limpios y secos.
2. Cuando la piscina esté completamente seca, espolvoree con polvo de talco para evitar que las superficies de la piscina se adhieran entre sí y dóblela con cuidado. Si la piscina no está completamente seca, podría desarrollarse moho y dañar el revestimiento de la piscina.
3. Guarde el revestimiento y los accesorios en un lugar seco con una temperatura moderada, entre 5°C / 41°F y 38°C / 100°F.
4. Durante la estación lluviosa, la piscina y los accesorios deben almacenarse siguiendo las instrucciones anteriores.
5. Un drenaje inadecuado de la piscina podría provocar lesiones personales graves y/ o daños materiales.
6. Recomendamos encarecidamente desmontar la piscina fuera de temporada (los meses de invierno). Guárdelo en un lugar seco fuera del alcance de los niños.

¡Gracias por elegir Bestway!

ES

¡Amplía ahora gratis la garantía de tu compra!

Registra tu producto en un plazo de 30 días desde la fecha de compra y regálate 6 meses de ampliación gratuita de la garantía.

¡Visita **WWW.REGISTROBESTWAY.ES** y registra ya tu producto!

Esta garantía adicional cubre los siguientes países: España, Alemania, Bélgica, Francia, Italia, Luxemburgo.



POWER STEEL™ OVAL POOLS BENUTZERHANDBUCH

Besuchen Sie den YouTube-Kanal von Bestway 

⚠️ ACHTUNG

Vor dem Bau und der Benutzung des Schwimmbeckens werden sämtliche Informationen in dieser Anleitung sorgfältig gelesen, verstanden und befolgt. Diese Warnhinweise, Anleitungen und Sicherheitsrichtlinien umfassen einige allgemeine Risiken in Bezug auf Freizeitbeschäftigung im Wasser, sie können jedoch nicht sämtliche Risiken und Gefährdungen in allen Fällen behandeln. Bei jeglicher Aktivität im Wasser wird Vorsicht, gesunder Menschenverstand und gutes Urteilsvermögen wachen gelassen. Diese Angaben werden für die spätere Nutzung aufbewahrt.

Sicherheit von Nichtschwimmern

- Es ist jederzeit eine ständige, aktive und wachsame Beaufsichtigung schwacher Schwimmer und Nichtschwimmer durch eine sachkundige erwachsene Aufsichtsperson erforderlich (es wird daran erinnert, dass das größte Risiko des Ertrinkens bei Kindern unter 5 Jahren besteht).
- Es wird eine sachkundige erwachsene Person bestimmt, die das Becken überwacht, wenn es benutzt wird.
- Schwache Schwimmer oder Nichtschwimmer sollten persönliche Schutz-ausrüstung tragen, wenn sie ins Schwimmbecken gehen.
- Wenn das Schwimmbecken nicht benutzt oder überwacht wird, werden sämtliche Spielsachen aus dem Schwimmbecken und seiner Umgebung entfernt, um zu verhindern, dass Kinder davon angezogen werden.

Sicherheitsvorrichtungen

- Um das Ertrinken von Kindern zu verhindern, wird empfohlen, den Zugang zum Schwimmbecken mit einer Schutzzeirichtung zu sichern. Um Kinder vom Klettern über das Einlass- und Auslassventil abzuhalten. Es wird empfohlen, eine Absperrung zu errichten (um sämtliche Türen und Fenster zu sichern, sofern zutreffend), um unberechtigten Zutritt zum Schwimmbecken zu vermeiden.

- Absperrungen, Beckenabdeckungen, Alarmanlagen oder ähnliche Sicherheitsvorrichtungen sind sinnvolle Hilfsmittel, ersetzen jedoch keine ständige und sachkundige Überwachung durch erwachsene Personen.

Sicherheitsausrüstung

- Es wird empfohlen, Rettungsausrüstung (z. B. einen Rettungsring) in der Nähe des Beckens aufzubewahren.
- Ein funktionierendes Telefon und eine Liste von Notrufnummern werden in der Nähe des Schwimmbeckens aufbewahrt.

Sichere Nutzung des Schwimmbeckens

- Sämtliche Nutzer, insbesondere Kinder, werden dazu ermuntert, schwimmen zu lernen.
- Erste Hilfe (Herz-Lungen-Wiederbelebung) erlernen und diese Kenntnisse regelmäßig auffrischen. Das kann bei einem Notfall einen lebensrettenden Unterschied ausmachen.
- Sämtliche Beckenbenutzer, einschließlich Kinder, anweisen, was in einem Notfall zu tun ist.
- Niemals in flaches Wasser springen. Das kann zu schweren Verletzungen oder zum Tode führen.
- Das Schwimmbecken nicht benutzen, wenn man unter dem Einfluss von Alkohol oder Medikamenten steht, welche die Fähigkeit zur sicheren Nutzung des Beckens beeinträchtigen können.
- Beckenabdeckungen vor dem Betreten des Schwimmbeckens vollständig von der Wasseroberfläche entfernen, wenn sie verwendet werden.
- Die Nutzer des Schwimmbeckens werden vor durch das Wasser verbreiteten Krankheiten geschützt, indem das Wasser stets aufbereitet und hygienisch unbedenklich gehalten wird. Die Richtlinien zur Wasseraufbereitung in der Gebrauchsanleitung werden zu Rate gezogen.
- Chemikalien (z. B. Produkte für die Wasseraufbereitung, Reinigung oder Desinfektion) außerhalb der Reichweite von Kindern aufbewahren.
- Die nachstehenden Zeichen werden verwendet. Die Zeichen sind an einer gut sichtbaren Stelle innerhalb von 2000 mm in der Nähe des Schwimmbeckens anzubringen.



Kinder im Wasser und der Wassenumgebung stets beaufsichtigen. Nicht springen.

- Abnehmbare Leitern sind auf einer waagerechten Fläche anzuordnen.
- Zugängliche Flächen müssen regelmäßig überprüft werden, um Verletzungen zu vermeiden, unabhängig von den für den Bau des Schwimmbeckens verwendeten Materialien.
- Prüfen Sie regelmäßig Bolzen und Schrauben; entfernen Sie Späne, Spreißel sowie sämtliche scharfen Kanten, um Verletzungen zu vermeiden.
- ACHTUNG:** Lassen Sie den entleerten Pool nicht im Freien. Der leere Pool neigt dazu, durch den Wind verformt und/oder verschoben zu werden.
- Wenn Sie über eine Filterpumpe verfügen, beachten Sie die Anweisungen des Filterpumpen-Handbuchs.
- ACHTUNG!** Die Pumpe darf nicht betrieben werden, wenn sich Menschen im Pool aufhalten!
- Wenn Sie über eine Leiter verfügen, beachten Sie die Anweisungen des Leiter-Handbuchs.
- ACHTUNG!** Die Verwendung eines Schwimmbecken-Bausatzes setzt voraus, dass er mit den Sicherheitsvorschriften übereinstimmt, die in der Betriebs- und Wartungsanleitung beschrieben sind. Um ein Ertrinken oder andere ernsthafte Verletzungen zu verhindern, wird besondere Aufmerksamkeit darauf gerichtet, den Zugang zum Schwimmbecken zu sichern, da sich Kinder unter 5 Jahren unerwartet Zugang zum Schwimmbecken verschaffen können, und beim Baden werden die Kinder ununterbrochen von einer erwachsenen Aufsichtsperson beaufsichtigt.

Bitte sorgfältig lesen und für späteres Nachschlagen aufbewahren.

WÄHLEN SIE EINEN GEEIGNETEN ORT

Bevor der Pool aufgebaut wird, sollten folgende Aspekte berücksichtigt werden:

1. Aufgrund des Gesamtgewichts aus Wassermenge und Benutzer, ist es absolut notwendig, dass der gewählte Untergrund dieses während der gesamten Nutzungszeit problemlos tragen kann. Zudem sollte beachtet werden, dass der Boden durch überschwappendes Wasser oder Regen aufgeweicht und dessen Tragfähigkeit dadurch beeinträchtigt werden kann. Das Gewicht des Pools kann unter diesen Umständen eventuell nicht mehr ausreichend getragen werden.
2. Überprüfen Sie daher bitte regelmäßig die Position der Standfüße sowie der Seitenträger. Diese muss zu jeder Zeit der Höhe des Poolbodens entsprechen. Sollte einer der Füße oder Seitenträger in den Boden sinken, muss das Wasser unverzüglich abgelassen werden. Durch die ungleichmäßige Verteilung des Gewichts kann es zu einem Zusammensturz des Pools kommen. Wählen Sie im Anschluss einen anderen Ort oder verstärken Sie den Untergrund.
3. Wir empfehlen den Pool nicht in der Nähe von Objekten, welche Kindern als Einstieg dienen können, aufzubauen.
4. Positionieren Sie den Pool in der Nähe einer geeigneten Ablaufstelle. Dies erleichtert den Umgang mit überschwappendem Wasser, sowie das Entleeren des Pools.
5. Die Oberfläche sollte eben und glatt sein. Befindet sich diese im Gefälle oder ist uneben, kann dies zu einer ungleichmäßigen Belastung des Rahmens führen. Dies kann die Schweißpunkte der Folie beschädigen sowie ein Verbiegen des Rahmens zur Folge haben. Im schlimmsten Fall können bei einem Zusammensturz ernsthafte Verletzungen bei Personen sowie Schäden an persönlichem Eigentum entstehen.
6. Die gewählte Oberfläche sollte frei von jeglichen Gegenständen sein. Durch das Gewicht des Wassers kann jedes sich unter dem Pool befindendes Objekt Löcher oder andere Schäden in und an der Poolfolie hervorufen.
7. Die gewählte Oberfläche sollte frei von aggressiven Pflanzen und Unkraut sein. Zu starke Vegetation kann in die Folie eindringen und zu einem Wasserstrahl führen. Geruchs- oder flüssigkeitserzeugende Vegetation sollte ebenfalls vor dem Aufbau entfernt werden.
8. Es sollten sich keine Hochspannungsleitungen oder Bäume über der gewählten Oberfläche befinden. Stellen Sie zudem sicher, dass sich dort keine unterirdischen Versorgungsleitungen oder Kabel befinden.
9. Der Pool sollte nicht in der Nähe von Hauseingängen platziert werden. Es wird zudem davon abgeraten, Möbel oder andere Einrichtung rund um den Pool herum aufzustellen. Wasser, welches während der Benutzung oder aufgrund einer defekten Komponente aus dem Pool dringt, kann Innen- sowie Außenrichtung erheblich beschädigen.
10. Die gewählte Oberfläche sollte frei von Löchern sein.

Die oben genannten Punkte zum Aufbau des Pools sind in jedem Fall zu befolgen. Sollten entstandene Schäden auf ein nicht sachgemäßes Befolgen dieser Anweisungen zurückzuführen sein, können diese nicht als Folge eines Produktionsfehlers gewertet werden. Die Inanspruchnahme der Herstellergarantie ist in diesem Fall nicht möglich.

Empfohlene Oberflächen: Grass, Boden, Beton oder andere Oberflächen, welche den vorab genannten Anweisungen entsprechen.

Nicht empfohlene Oberflächen: Schlamm, Sand, Kies, Deck, Balkon, Einfahrt, Plattform, weicherloser Boden oder andere Oberflächen, welche nicht den vorab genannten Anweisungen entsprechen.

BITTE BEACHTEN: Erkundigen Sie sich bei Ihrer zuständigen Stadtverwaltung über Gemeindeverordnungen bezüglich Einzäunung, Barrieren, Beleuchtung und Sicherheitsanforderungen.

BITTE BEACHTEN: Bezüglich einer vorhandenen Filterpumpe sei auf die entsprechende Gebrauchsanweisung verwiesen.

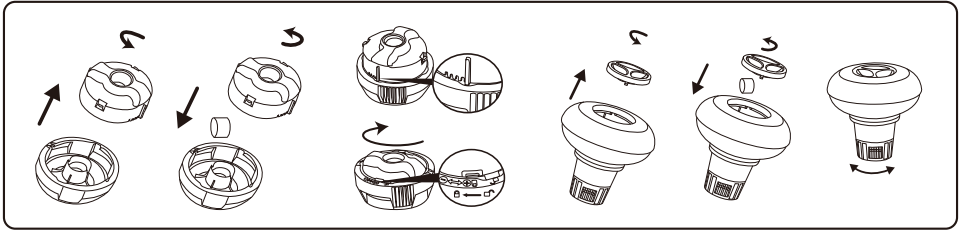
BITTE BEACHTEN: Die Leiter muss für die Höhe des Pools geeignet sein und sollte nur für dessen Betreten oder Verlassen verwendet werden. Die maximal zulässige Traglast darf in keinem Fall überschritten werden. Stellen Sie zu jeder Zeit den ordnungsgemäßen Aufbau der Leiter sicher.

POOLWARTUNG

Bei Nichtbeachtung der unten stehenden Wartungsanweisungen besteht Gefahr für Ihre Gesundheit, vor allem für die Ihrer Kinder.

Einsatz von Chemikalien-Tabletten (nicht enthalten):

BITTE BEACHTEN: Warten Sie Ihren Pool mit Chemikalien in Tablettenform, verwenden Sie unbedingt einen Dosierschwimmer oder Chemconnect Chemikaliendosierer. Enthält der von Ihnen erworbene Artikel keinen solchen Dosierer, können Sie ihn über unsere Webseite www.bestwaycorp.com oder bei einem entsprechenden Fachhändler in Ihrer Nähe kaufen.



WICHTIG: Verwenden Sie keine Granulat-Tabletten und werfen Sie keine Tabletten direkt ins Wasser. Die Chemikalien können sich am Boden absetzen, das Material beschädigen und das PVC verfärben.

Einsatz von Flüssigchemikalien (nicht enthalten):

WICHTIG: Geben Sie Flüssigchemikalien in kleinen Mengen in die Mitte des Pools, um den direkten Kontakt von Chemikalien und PVC-Oberfläche zu vermeiden. Direkter Kontakt kann das Material beschädigen und die Oberfläche verfärben.

BITTE BEACHTEN: Entfernen Sie den Chemikaliendosierer aus dem Pool, während Sie den Pool verwenden.

WICHTIG: Nach der Wartung des Pools mit Chemikalien verwenden Sie ein Testset (nicht enthalten), um die chemische Zusammensetzung des Wassers zu testen, bevor Sie den Pool verwenden. Wir empfehlen die Pflege Ihres Poolwassers entsprechend der folgenden Tabelle.

Parameter	Werte
Klarheit des Wassers	Klare Sicht auf den Poolboden
Farbe des Wassers	Es sollte keine Färbung erkennbar sein
Trübung in FNU/NTU	max. 1,5 (möglichst geringer als 0,5)
Nitratkonzentration über der des Füllwassers in mg/l	max. 20
Gesamter organischer Kohlenstoff (TOC) in mg/l	max. 4,0
Redoxpotential gegen Ag/AgCl 3,5 m KCl in mV	min. 650
pH-Wert	6,8 bis 7,6
Freies, aktives Chlor (ohne Cyanursäure) in mg/l	0,3 bis 1,5
Freies Chlor in Kombination mit Cyanursäure in mg/l	1,0 bis 3,0
Cyanursäure in mg/l	max. 100
Gebundenes Chlor in mg/l	max. 0,5 (möglichst nahe 0,0 mg/l)

BITTE BEACHTEN: Schäden aus chemischem Ungleichgewicht sind von der Garantie nicht abgedeckt. Poolchemikalien sind potenziell giftig und sind mit Sorgfalt zu behandeln. Chemische Dämpfe sowie fehlerhafte Beschriftung und Lagerung von Chemikalienbehältern stellen ernsthafte Risiken für die Gesundheit dar. Bitte erkundigen Sie sich bei Ihrem örtlichen Fachhändler nach weiteren Informationen zur Anwendung von Poolchemikalien. Beachten Sie die Anweisungen des Chemikalienherstellers genau. Schäden am Pool aus Missbrauch von Chemikalien und falscher Behandlung des Poolwassers sind von der Garantie nicht abgedeckt.

WICHTIG: Durch Überdosierung von Chemikalien können sich der Aufdruck und beliebige Stellen des Poolmaterials verfärben. Die Poolfolie kann auch strukturellen Schaden nehmen.

So halten Sie Ihren Pool sauber:

1. Kontaktieren Sie Ihren örtlichen Fachhändler für Hinweise und den Kauf von Chemikalien und pH-Sets. Um die Langlebigkeit der Poolfolie zu gewährleisten, ist es besonders wichtig, das Wasser jederzeit in sauberem und gesundem Zustand zu halten. Bitte befolgen Sie die Anweisungen zur Wasserbehandlung mit Chemikalien der Fachleute genau.
2. Halten Sie einen Eimer mit Wasser am Poolrand zum Reinigen der Füße vor der Benutzung des Pools bereit.
3. Wenn Sie den Pool nicht verwenden, decken Sie ihn ab.
4. Schöpfen Sie die Oberfläche des Poolwassers in regelmäßigen Abständen ab, um Schmutzablagerungen zu vermeiden.

5. Überprüfen und reinigen Sie die Filterkartusche in regelmäßigen Abständen.
6. Entfernen Sie vorsichtig Schaumablagerungen unterhalb des oberen Rings mit einem sauberen Tuch.
7. Lassen Sie bitte bezüglich Regenwasser Vorsicht walten und stellen Sie sicher, dass der Wasserstand nicht zu hoch ist. Ist dies der Fall, **LASSEN SIE ÜBERSCHÜSSIGES WASSER AB.**
8. Stellen Sie bei Regen sicher, dass der Wasserstand nicht höher als angegeben ist. Überschreitet der Wasserstand die Maximalanzeige, lassen Sie das Wasser bis zum angegebenen Füllstand ab.

Fachgerechte Wartung kann die Lebensdauer Ihres Pools verlängern.

Während der Poolsaison ist das Filtersystem täglich in Betrieb zu nehmen, und zwar so lange, bis das Poolwasser mindestens einmal zur Gänze erneuert ist.

BITTE BEACHTEN: Die Pumpe dient der Umwälzung des Wassers und dem Herausfiltern kleinerer Partikel. Damit das Poolwasser sauber und hygienisch einwandfrei bleibt, sind Chemikalien hinzuzufügen.

REPARATUR

Sollte ein Loch auftreten, reparieren Sie es mit dem mitgelieferten wasserfesten Reparaturflicken. Hinweise dazu entnehmen Sie den Fragen & Antworten auf unserer Webseite, www.bestwaycorp.com.

ZERLEGUNG

1. Schrauben Sie die Kappe des Abflussventils an der Außenseite des Pools entgegen dem Uhrzeigersinn ab und entfernen Sie sie.
2. Schließen Sie den Adapter an den Schlauch an und legen Sie das andere Ende des Schlauchs in den Bereich, in dem Sie Ihren Pool ablassen wollen. (Prüfen Sie die lokalen Bestimmungen zum Ablassen gemäß Gesetz).
3. Schrauben Sie den Steuerring des Schlauchadapters im Uhrzeigersinn auf das Ablassventil. Das Ablassventil wird geöffnet und das Wasser beginnt automatisch abzulaufen.
ACHTUNG: Der Wasserfluss kann mit den Kontrollring gesteuert werden.
4. Schrauben Sie nach dem Ablassen den Kontrollring auf, um das Ventil zu schließen.
5. Lösen Sie den Schlauch.
6. Schrauben Sie die Kappe wieder auf das Abflussventil.
7. Trocknen Sie den Pool an der Luft.
ACHTUNG: Lassen Sie den abgelassenen Pool nicht im Freien.

LAGERUNG

1. Entfernen Sie sämtliches Zubehör und alle Ersatzteile vom Pool und lagern Sie diese sauber und trocken.
2. Ist der Pool vollständig getrocknet, bestäuben Sie ihn mit Talkumpuder, um ein Zusammenhaften zu vermeiden, und falten Sie den Pool vorsichtig zusammen. Ist der Pool nicht vollständig getrocknet, kann sich Schimmel bilden, der die Innenverkleidung des Pools beschädigt.
3. Lagern Sie die Innenverkleidung und das Zubehör an einem trockenen Ort bei gemäßigten Temperaturen zwischen 5 °C / 41 °F und 38 °C / 100 °F.
4. Während der Regenzeit müssen der Pool sowie alle Zubehöerteile auch wie oben ausgeführt gelagert werden.
5. Eine unsachgemäße Entleeren des Pools kann zu ernststen Personen- und/oder Sachschäden führen.
6. Wir empfehlen dringend, den Pool außerhalb der Badesaison (während der Wintermonate) abzubauen. Lagern Sie ihn an einem trockenen Ort außerhalb der Reichweite von Kindern.

Vielen Dank für Ihren Kauf eines Bestway Produktes!

DE

Verlängern Sie Jetzt **kostenlos** die Garantie Ihres Produktes!

Registrieren Sie Ihr Produkt innerhalb von 30 Tagen nach Kaufdatum und in nur wenigen Minuten erhalten Sie eine kostenlose Verlängerung der Herstellergarantie um 6 Monate!

Besuchen Sie sofort **WWW.BESTWAYREGISTRIERUNG.DE**

und registrieren Ihr Produkt!

Diese Möglichkeit der Garantieverlängerung gilt nur in folgenden Ländern:

Deutschland, Belgien, Frankreich, Italien, Luxemburg, Spanien.

OVAALINMUOTOISET POWER STEEL™ -ALTAAT KÄYTTÖOPAS

Käy katsomassa Bestwayn YouTube-kanavaa 



⚠ VAROITUS

Lue huolellisesti, ymmärrä ja noudata kaikkia tämän käyttöoppaan tietoja ennen uima-altaan asennusta ja käyttöä. Nämä varoitukset, ohjeet ja turvallisuusohjeet koskevat yleisiä vedessä virkistämisen riskejä, mutta ne eivät pysty kattamaan kaikkia riskejä ja vaaroja kaikissa tapauksissa. Ole aina varovainen, käytä tervettä järkeä ja hyvää arvostelukykyä, kun olet vedessä. Säilytä nämä tiedot myöhemmäksi käyttöä varten.

Uimataidottomien turvallisuus

- Jatkuva, aktiivinen ja tarkkaavainen heikkojen uimareiden tai uimataidottomien valvonta pätevä aikuisen toimesta voidaataen kaikkina aikoina (muistaen, että alle 5-vuotiaat lapset ovat suurimmassa hukkumisvaarassa).

- Määrää pätevä aikuinen valvomaa allaista joka kerta, kun sitä käytetään.

- Heikkojen uimareiden tai uimataidottomien tulisi käyttää henkilönsuojalaitteita altaassa.

- Kun alla ei ole käytössä tai se on vartioitoma, poista kaikki lelut altaasta ja sen ympäristöstä, jotta lapsilla ei olisi houkustusta mennä altaalle.

Turvalliteetit

- Jotta lapsia estettäisiin hukkumasta, suosittelemme sulkemaan pääsyn altaalle suojalaitteella. Jotta lapsia estettäisiin kiipeämästä sisään- ja ulostuloventiliiniin, suosittelemme asentamaan esteen (ja lukitsemaan kaikki ovet ja ikkunat, kun sovellettavissa) luvattoman pääsyn estämiseksi altaaseen.

- Reunat, allaspeitteet, allashälyttimet tai vastaavat turvalaitteet ovat hyödyllisiä apuvälineitä, mutta ne eivät korvaa jatkuva ja pätevää aikuisen valvontaa.

Turvalliteistio

- Suosittelemme säilyttämään pelastuslaitteistoja (esim. elastusrengas) altaalla.

- Pidä toimiva puhelin ja luettelo hätäpuhelinnumeroista lähellä altaasta.

Altaan turvallinen käyttö

- Kannusta kaikkia käyttäjiä, erityisesti lapsia opettelemaan uimaan

- Opi perusensiapu (paineuuvlytys) ja päivitä tätä osaamista säännöllisesti. Tämä voi pelastaa elämän hätätilanteessa.

- Ohjeista kaikkia altaan käyttäjiä, lapset mukaan lukien, mitä tehdä hätätilanteessa

- Älä koskaan sukella altaan matalaan osaan. Tämä voi aiheuttaa vakavan vamman tai kuoleman.

- Älä käytä uima-allasta, kun käytät alkoholia tai lääkitystä, jotka voivat heikentää kykyäsi käyttää allasta turvallisesti.

- Kun allaspeitteitä käytetään, poista ne kokonaan altaan pinnalta ennen altaaseen menoa.

- Suojaa altaan käyttäjiä veteen liittyviltä sairauksilta pitämällä altaan vesi käsiteltyinä ja noudattamalla hyviä hygieniakäytäntöjä. Katso vedenkäsitelyohjeita käyttöoppaasta.

- Säilytä kemikaalit (esim. vedenkäsitely-, puhdistus- tai desinfiointituotteet) poissa lasten ulottuvilta.

- Käytä alla esitettäjiä opasteita. Opasteet on sijoitettava näkyvälle paikalle enintään 2 m altaasta.



Älä jätä lapsia ilman valvontaa, kun lähistöllä on vettä. Ei sukeltamista.

- Irrottavat tikkaat on sijoitettava tasaiselle pinnalle.

- Riippumatta altaan rakentamiseen käytetyistä materiaaleista, käytettävissä olevat pinnat on tarkastettava säännöllisesti vammojen välttämiseksi.

- Tarkasta pultit ja ruuvit säännöllisesti. Poista tikut tai muut terävät reunat vammojen välttämiseksi.

HUOMIO: Älä jätä tyhjennettyä allasta ulos. Tyhjä altaan muoto voi väärästä ja/tai allas voi siirtyä paikaltaan tulpen vuoksi.

- Jos suodatinpumppu asennetaan, noudata pumpun ohjekirjan ohjeita.

VAROITUS! Pumpua ei saa käyttää, kun altaassa on ihmisiä!

- Jos tikkaat asennetaan, noudata tikkaiden ohjekirjan ohjeita.

VAROITUS! Uima-altaan käyttö viittaa käyttö- ja huolto-opaassa kuvattujen turvallisuusohjeiden noudattamiseen. Hukkumisen tai muiden vakavien vammojen estämiseksi kiinnitä huomiota

alle 5-vuotiaiden lasten odottamattomaan pääsyyn altaalle lukitsemalla pääsy sille, ja uinnan aikana pätevä aikuisen on

valvottava heitä jatkuvasti.

Lue nämä tiedot huolellisesti ja säilytä mahdollista tulevaa tarvetta varten.

VALITSE SOPIVA PAIKKA

Altaan asennuspaikan pinnan on täytettävä seuraavat tekniset ominaisuudet:

1. Altaan sisältämän veden ja altaan käyttäjien yhteispainon vuoksi on äärimmäisen tärkeää, että altaalle valittu asennuspaikka kannattelee tasaisesti koko painon allaan koko asennusajan. Ota huomioon paikkaa valitessasi, että altaasta voi valua ulos vettä käytön tai sateen aikana. Jos vesi pehmentää pinnan, se ei ehkä enää pysty kannattelemaan altaan painoa.
2. Tarkasta säännöllisesti pystyjalkojen paikka ja U-tuet. Niiden on oltava aina altaan pohjan tasolla. Jos pystyjalka tai U-tuki alkaa upota maahan, tyhjennä vesi välittömästi, jotta allas ei romahda runkorakenteen epätasaisen kuormituksen vuoksi. Vaihda allas toiseen paikkaan tai muokkaa maanpintaa.
3. Suosittelemme sijoittamaan allaan loitolle tavaroita, joita lapset voisivat käyttää altaaseen kiipeämiseen.
4. Sijoita uima-allas lähelle asianmukaista poistojärjestelmää viivujoita tai allaan tyhjennystä varten.
5. Pinnan on oltava tasainen ja sileä. Jos pinta on kalteva tai epätasainen, allas rakenne voi kuormittua alustapainoisesti. Tämä voi vahingoittaa vuorauksen hitsauskohtia ja talvuttaa runkoa. Pahimmassa tapauksessa allas voi romahtaa aiheuttaen vakavia henkilövahinkoja ja/tai vahinkoa omaisuudelle.
6. Valittu pinnalla ei saa olla mitään tavaraita. Veden painon vuoksi allaan alla olevat esineet voivat vahingoittaa tai puhkaista allaan pohjan.
7. Valittu pinnalla ei saa aggressiivisia kasveja tai ruohoja. Voimakas kasvillisuus voi kasvaa vuorauksen läpi ja aiheuttaa vesiviuotoja. Ruoho ja muu kasvillisuus, joka voi synnyttää hajua tai liejuja, on poistettava asennuspaikalta.
8. Valitun kohdan yläpuolella ei saa olla voimalinjoja tai puita. Varmista, että kohteessa ei ole maanalaisia putkia, linjoja tai kaapeleita.
9. Valitun paikan on oltava kaukana talon sisäänkäynnistä. Älä laita allaan ympärille mitään laitteita tai muita kalusteita. Käytön aikana tai viallisesta tuotteesta ulos valuva vesi voi vahingoittaa talon sisällä tai allaan ympärillä olevia kalusteita.
10. Valitun pinnan on oltava tasainen, eikä siinä saa olla kuoppia, jotka voivat vahingoittaa vuorauksen materiaalia.

Valitse asianmukainen pinta ja altaan asennuspaikka noudattamalla yllä annettuja tärkeitä ohjeita. Altaan osien vahingoittumista, joka johtuu siitä, että asennuspinta ja paikka ei ole ohjeiden mukainen, ei katsota valmistusvikaksi, takuu kata niitä eikä niille voi esittää huoltovaatetta.

Ehdotettu asennuspinta: nurmikko, maa, betoni ja kaikki muut pinnat, jotka vastaavat yllä annettuja asennusvaatimuksia.

Pinnat, joita ei suositella: maa, hiekka, sora, terassi, parveke, ajotie, taso, pehmeä/irtonainen maaperä tai muu pinta, joka ei täytä edellä mainittuja asennusolosuhteita.

HUOMAUTUS: Tarkista paikalliset aidoitukseen, esteisiin, valaistukseen ja turvatoimenpiteisiin liittyvät säädökset ja varmistaa, että noudatet kaikki asiaankuuluvia lakeja.

HUOMAUTUS: Jos suodatinpumppu asennetaan, noudata pumpun ohjekirjan ohjeita.

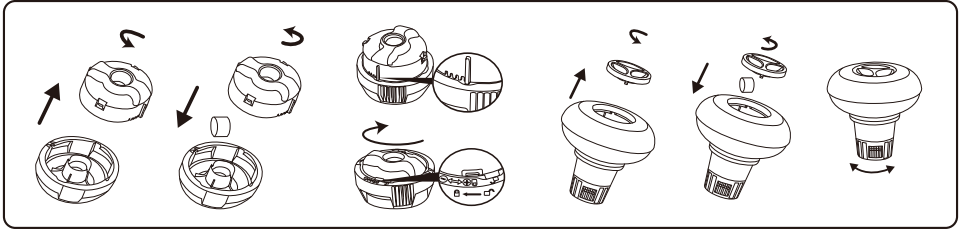
HUOMAUTUS: Tikkaiden on oltava sopivan kokoiset altaan kokoon nähden ja niitä tulee käyttää ainoastaan altaaseen menemiseen ja sieltä nousemiseen. Tikkaiden kantokykyä ei saa ylittää. Tarkista säännöllisesti, että tikkaat on koottu oikein.

ALTAAN HUOLTO

Jos et noudata tässä annettuja kunnossapito-ohjeita, terveytesi ja erityisesti lapsiesi terveys voi vaarantua.

Kemikaalitablettien käyttäminen (eivät sisälly pakkaukseen)

HUOMAUTUS: Kun allasta huolletaan kemikaalisesti, on käytettävä Chemconnect- tai Chemical Floater -tuotetta. Ostamassasi tuotteessa ei ole välttämättä näitä annostelijoita. Siinä tapauksessa voit ostaa niitä verkkosivustoltamme www.bestwaycorp.com tai lähimmältä altaan jälleennyjältä.



TÄRKEÄÄ: Älä käytä kided tabletteja tai heitä tabletteja suoraan veteen. Kemikaalit voivat asettaa pohjalle, vahingoittaa materiaalia ja haalistaa PVC-muovia.

Kemikaalinesteen käyttäminen (ei sisälly pakkaukseen):

TÄRKEÄÄ: Lisää kemikaalinestettä pienissä annoksissa ja altaan keskelle, jotta kemikaalit eivät kosketa suoraan PVC-muovin pintaa. Suora kosketus voi vahingoittaa materiaalia ja haalistaa pintaa.

HUOMAUTUS: Poista kemikaaliannostelija altaasta, kun allas on käytössä.

TÄRKEÄÄ: Testaa veden kemiallinen koostumus testisarjalla (ei sisälly toimitukseen), sen jälkeen kun kemikaaleja on lisätty veteen ja ennen kuin allasta käytetään. Suosittelemme pitämään veden kemiallisen koostumuksen seuraavan taulukon mukaan.

Parametrit	Arvot
Veden kirkkaus	selkeä näkyvyys altaan pohjaan
Veden väri	mitään väriä ei tulisi havaita
Sameus FNU/NTU:ssa	maks. 1,5 (mieluiten alle 0,5)
Nitraattipitoisuus enemmän kuin täyttövessä mg/l	maks. 20
Orgaanisen hiilen kokonaismäärä (TOC) mg/l	maks. 4,0
Redokspotentiaali vastaan Ag/AgCl 3,5 m KCl mV:ssä	väh. 650
pH-arvo	6,8–7,6
Vapaa aktiivinen kloori (ilman syanurihappoa) mg/l	0,3–1,5
Vapaa kloori käytettynä yhdessä syanurihapon kanssa mg/l	1,0–3,0
Syanurihappo mg/l	maks. 100
Yhdistetty kloori mg/L	maks. 0,5 (mieluiten lähellä 0,0 mg/l)

HUOMAUTUS: Takuu ei kata kemiallisesta epätasapainosta aiheutuvia vahinkoja. Allaskemikaalit ovat periaatteessa myrkyllisiä ja niitä tulisi käsitellä varoen. Kemialliset kaasut ovat vakava terveysriski. Myös virheelliset etiketit ja kemiallisia aineita sisältävien säiliöiden virheellinen varastointi voivat olla vakavia terveysriskejä. Lisätietoja veden kemiallisen tasapainon ylläpitämisestä saat paikalliselta uima-allastuotteiden jälleennyjältä. Seuraa tarkasti kemikaalien valmistajan ohjeita. Takuu ei kata vahinkoja, jotka ovat aiheutuneet kemikaalien väärinkäytöstä ja altaan veden vääränlaisesta huollosta.

TÄRKEÄÄ: Kemikaalien liiallinen käyttö voi muuttaa painatuksen väriä ja kaikkia allasmateriaalin kohtia. Se voi myös vahingoittaa altaan vuorauksen rakennetta.

Allaan pitäminen puhtaana:

1. Kysy ohjeita paikalliselta allastuotteiden jälleennyjältä, jolta voit hankkia myös kemikaaleja ja pH-sarjoja. Yksi tärkeimmistä tekijöistä vuorauksen käyttöänsä pidentämiseksi on veden pitäminen puhtaana ja terveellisenä. Noudata tiukasti ammattilaisten ohjeita vedenkäsitteilyä kemikaalien avulla.
2. Laita vesiämpäri altaan viereen, jotta käyttäjät voivat puhdistaa jalkansa ennen altaaseen menoa.
3. Peitä allas, kun sitä ei käytetä.
4. Puhdista altaan pinta säännöllisesti, jotta likaa ei pääse kertymään.

5. Tarkista ja pese vesipatruuna säännöllisesti.
6. Puhdista hellävaraisesti ylärenkaan alla mahdollisesti oleva vaahto puhtaalla liinalla.
7. Tarkkaile tilannetta huolellisesti vesisateen yhteydessä. Tarkista, että veden taso ei nouse oletettua korkeammaksi. Jos näin käy, LIIKA VESI ON POISTETTAVA.
8. Jos sataa, tarkista, ettei veden pinta ole korkeammalla kuin ohjeiden mukaisella tasolla. Jos veden pinta ylittää ohjeiden mukaisen tason, tyhjennä allasta ohjeiden mukaiselle tasolle.

Asianmukainen huolto voi pidentää uima-altaan käyttöikää.

Uima-altaan käyttökauden aikana suodatusjärjestelmää on käytettävä päivittäin. Käytä sitä riittävän aikaa, jotta vesimäärä vaihtuu vähintään kerran kokonaan.

HUOMAUTUS: Pumpppua käytetään kierrättämään vettä ja suodattamaan pienihiukkasat. Altaan veden pitämiseksi puhtaana ja hygieenisenä siihen on lisättävä kemikaaleja.

KORJAUS

Mikäli vuotoja on, paikkaa altaasi käyttämällä mukana toimitettua vedessä käytettävää korjauspaikkaa. Usein kysytyjä kysymyksiä löytyy verkkosivustomme www.bestwaycorp.com tukisivulta.

PURKAMINEN


1. Avaa tyhjennysventtiiliin korkki altaan ulkopuolella kiertämällä vastapäivään ja irrota se.
2. Liitä puutarhaletkun toinen pää letkusovittimeen ja sijoita letkun toinen pää valittuun tyhjennyskohtaan. (Tarkista paikalliset vesimääräykset).
3. Kruvige voolikuadapteri juhröngäs päripäeva äravooluklapile. Äravooluklapp avaneb ja vesi hakkab automaatselt välja voolama.
HUOMAA: Veden virtausta voidaan hallita ohjausrenkaan avulla.
4. Kun tyhjentäminen on valmis, sulje venttiili kiertämällä ohjausrenkas irti.
5. Irrota letku.
6. Kierrä korkki takaisin tyhjennysventtiiliin.
7. Anna altaan kuivua.
HUOMAA: Älä jätä tyhjentynttä allasta ulos.

SÄILYTYS

1. Poista kaikki lisävarusteet ja varaosat altaasta. Varasto ne puhtaana ja kuivana.
2. Kun allas on täysin kuiva, ripottele talkkijauhetta estääksesi allasta liimautumasta yhteen. Taita allas varovaisesti. Jos allas ei ole täysin kuiva, hometta voi muodostua. Se vaurioittaa allasmuovia.
3. Varasto allasmuovi ja lisävarusteet kuivassa paikassa kohtuullisessa lämpötilassa 5 °C / 41°F – 38 °C / 100 °F.
4. Sateisella säällä allas ja lisävarvikkeet on varastoitava yllä annettujen ohjeiden mukaisesti.
5. Altaan virheellinen tyhjennys voi aiheuttaa vakavia henkilövammoja ja/tai omaisuusvahinkoja.
6. Suosittelemme vahvasti altaan purkamista käyttösesongin ulkopuolella (talvikuukausiksi). Säilytä kuivassa paikassa poissa lasten ulottuvilta.



POWER STEEL™ OVALE ZWEMBADEN GEBRUIKERSHANDLEIDING

Bezoek het Bestway YouTube-kanaal 

⚠ WAARSCHUWING

Lees, begrijp en volg zorgvuldig alle informatie in deze gebruikershandleiding vooraleer het zwembad te installeren en te gebruiken. Deze waarschuwingen, instructies en veiligheidsrichtlijnen gaan over sommige courante risico's van waterrecreatie, maar ze omvatten niet alle risico's en gevaren in alle gevallen. Wees altijd voorzichtig en gebruik gezond verstand en beoordelingsvermogen wanneer u van wateractiviteiten geniet. Bewaar deze informatie voor toekomstig gebruik.

Veiligheid van niet-zwemer

- Continu, actief en waakzaam toezicht van zwakke zwemmers en niet-zwemmers door een competente volwassene is altijd vereist (denk eraan dat kinderen onder de vijf jaar oud het hoogste risico op verdrinking lopen).
- Duid een competente volwassene aan om toezicht te houden op het zwembad telkens wanneer het gebruikt wordt.
- Zwakke zwemmers of niet-zwemmers zouden persoonlijke beschermingsuitrusting moeten dragen wanneer ze het zwembad gebruiken.
- Wanneer het zwembad niet in gebruik is of er geen toezicht is, verwijder alle speelgoed uit het zwembad en zijn omgeving om te vermijden kinderen aan te trekken naar het zwembad.

Veiligheidsmiddelen

- Ten einde verdrinking van kinderen te vermijden, is het aanbevolen om de toegang tot het zwembad te beveiligen met een beschermingselement. Ten einde te voorkomen dat kinderen van de invoer- en afvoerklappen klimmen, is het aanbevolen een barrière te installeren (en alle deuren en vensters waar van toepassing te beveiligen) om onbevoegde toegang tot het zwembad te voorkomen.
- Barrières, zwembadafdekkingen, zwembadalermen of gelijkaardige veiligheidsmiddelen zijn nuttige hulpmiddelen, maar het zijn geen vervangingen voor een continu en competent toezicht door volwassenen.

Veiligheidsapparatuur

- Het is aanbevolen om reddingsapparatuur (bijv. een ring-boei) nabij het zwembad te hebben.
- Houd ook een werkende telefoon en een lijst met noodnummers nabij het zwembad.

Veilig gebruik van het zwembad

- Moedig alle gebruikers vooral kinderen aan om te leren zwemmen
- Leer om te reanimeren (cardiopulmonaire reanimatie - CPR) en vernieuw deze kennis regelmatig. Dit kan een levensreddend verschil uitmaken in een noodgeval.
- Onderricht alle zwembadgebruikers, inbegrepen kinderen, wat te doen in een noodgeval
- Duik nooit in ondiep water. Dit kan leiden tot ernstige verwondingen of tot de dood.
- Gebruik het zwembad niet wanneer u alcohol of medicatie gebruikt die uw vermogen om het zwembad veilig te gebruiken, zou kunnen aantasten.
- Wanneer zwembadafdekkingen gebruikt worden, verwijder deze volledig uit het wateroppervlak voor u in het zwembad gaat.
- Bescherm de zwembadgebruikers tegen met water verband houdende ziekten door het zwembadwater behandeld te houden en goede hygiëne in acht te nemen. Raadpleeg de richtlijnen voor waterbehandeling in de gebruikershandleiding.
- Bewaar chemicaliën (bijv. voor waterbehandeling of reinigings- en ontsmettingsproducten) buiten het bereik van kinderen.
- Gebruik de aanduidingsborden zoals hieronder aangegeven. Er moeten aanduidingsborden staan in een prominente positie binnen de 2m van het zwembad.



- Houd de kinderen onder toezicht in de wateromgeving. Niet duiken.
- Er moeten verwijderbare ladders staan op een horizontaal oppervlak.
- Ongeacht de gebruikte materialen voor de zwembadconstructie, moeten de

toegankelijke oppervlakken regelmatig gecontroleerd worden om verwondingen te vermijden.

- Controleer regelmatig bouten en schroeven, verwijder splinters of andere scherpe randen om verwondingen te vermijden.
- AANDACHT** Laat het leeggelopen zwembad niet buiten staan. Het lege zwembad kan vervormd en/of verplaatst worden omwille van de wind.
- Als u een filterpomp hebt, raadpleeg de handleiding van de pomp voor instructies.

WAARSCHUWING! De pomp kan niet worden gebruikt wanneer er zich mensen in het zwembad bevinden!

- Als u een ladder hebt, raadpleeg de handleiding van de ladder voor instructies.

WAARSCHUWING! Het gebruik van een zwembadkit impliceert het naleven van de veiligheidsinstructies beschreven in de gebruiks- en onderhoudshandleiding. Ten einde verdrinking of andere ernstige verwondingen te vermijden, moet u bijzonder aandacht vestigen aan de mogelijkheid van een onverwachte toegang tot het zwembad door kinderen jonger dan 5 jaar door de toegang ertoe te beveiligen en de kinderen tijdens het zwemmen voortdurend onder toezicht te houden van volwassenen.

Zorgvuldig lezen en bewaren voor toekomstige referentie.

KIES DE JUISTE LOCATIE

Het oppervlak dat is uitgekozen om het zwembad op neer te zetten, moet voldoen aan de volgende technische kenmerken:

1. Vanwege het gecombineerde gewicht van het water in het zwembad en de gebruikers van het zwembad, is het uiterst belangrijk dat het oppervlak dat is uitgekozen om het zwembad op neer te zetten in staat is om het totale gewicht gelijkmatig te dragen gedurende de gehele tijd dat het zwembad is geïnstalleerd. Houd er bij het kiezen van het oppervlak rekening mee dat er water uit het zwembad kan komen tijdens het gebruik of als het regent. Als het water het oppervlak zacht maakt, kan het niet meer in staat zijn om het gewicht van het zwembad te dragen.
2. Controleer de positie van de verticale poten en de U-steunen regelmatig. Deze moeten altijd op hetzelfde niveau zijn als de bodem van het zwembad. Als de verticale poot of de U-steun in de grond beginnen te zakken, voor het water dan onmiddellijk af om te voorkomen dat het zwembad inzakt vanwege de ongelijkmatige belasting op de framestructuur. Verander de locatie van het zwembad of wijzig het materiaal van het oppervlak.
3. We raden aan om het zwembad uit de buurt te plaatsen van objecten die kinderen kunnen gebruiken om in het zwembad te klimmen.
4. Plaats het zwembad in de buurt van een geschikt afvoersysteem om overlopend water te kunnen opvangen of het zwembad leeg te laten lopen.
5. Het oppervlak moet vlak en glad zijn. Als het oppervlak hellend of ongelijkmatig is, kan dat een ongelijkmatige belasting op de structuur van het zwembad veroorzaken. Die situatie kan het laspunt van de bekleding beschadigen en het frame doen verbuigen. In het slechtste geval kan het zwembad instorten en ernstig letsel en/of schade aan eigendommen veroorzaken.
6. Het geselecteerde oppervlak moet vrij zijn van alle soorten voorwerpen. Vanwege het gewicht van het water kan ieder voorwerp onder het zwembad de bodem van het zwembad beschadigen of perforeren.
7. Het geselecteerde oppervlak moet vrij zijn van woekerende planten en onkruid. Dat soort sterk groeiende vegetatie kan door de bekleding heen groeien en lekkage van water veroorzaken. Gras of andere planten die nare geuren of slijm kunnen ontwikkelen, moeten worden verwijderd van de installatieplaats.
8. De geselecteerde locatie mag niet onder hoogspanningsleidingen of bomen zijn. Controleer of er op die plaats geen ondergrondse buizen, leidingen of kabels lopen.
9. De geselecteerde positie moet ver weg zijn van de ingang van het huis. Plaats geen apparatuur of meubels rondom het zwembad. Het water dat uit het zwembad komt tijdens het gebruik of vanwege een defect aan het product, kan de meubels in huis of rondom het zwembad beschadigen.
10. Het geselecteerde oppervlak moet vlak en zonder gaten zijn die het materiaal of de bekleding kunnen beschadigen.

Volg de belangrijke instructies hierboven op om het juiste oppervlak en de juiste plaats te kiezen om uw zwembad op neer te zetten. Delen van het zwembad die beschadigd zijn omdat het oppervlak en de locatie van de installatie niet voldoen aan de instructies, worden niet beschouwd als fabricagefout en maken de garantie en alle eventuele reparatieclaims ongeldig.

Aanbevolen oppervlakken voor installatie: gras, aarde, beton en alle andere oppervlakken die voldoen aan de bovenstaande installatievoorwaarden.

Niet-aanbevolen oppervlakken: modder, zand, veranda, balkon, oprit, platform, zachte/losse aarde of andere oppervlakken die niet voldoen aan de bovenstaande installatievoorwaarden.

OPMERKING: Raadpleeg uw lokale regelgeving voor voorschriften betreffende omheiningen, barrières, verlichting en veiligheidsvereisten en zorg ervoor dat u aan de wetgeving voldoet.

OPMERKING: Als u een filterpomp hebt, raadpleeg dan de handleiding van de pomp voor instructies.

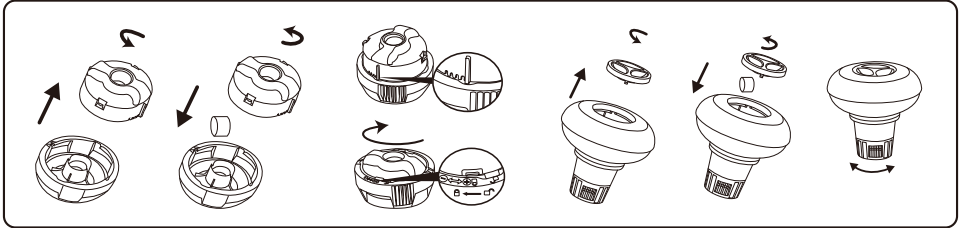
OPMERKING: Het trapje moet geschikt zijn voor de afmetingen van het zwembad en mag alleen worden gebruikt om het zwembad in en uit te gaan. Het is verboden om de toegestane belasting van het trapje te overschrijden. Controleer regelmatig of het trapje goed is bevestigd.

ZWEMBADONDERHOUD

Als u zich niet houdt aan de onderstaande onderhoudsrichtlijnen, kan uw gezondheid, en met name die van uw kinderen, gevaar lopen.

Gebruik van chemische tabletten (niet inbegrepen):

OPMERKING: Chemconnect of Chemical Floater moeten worden gebruikt wanneer u chemisch onderhoud met tabletten uitvoert. Het door u aangekochte artikel mag geen van deze dispensers bevatten, in dit geval kunt u hem aanschaffen via onze website www.bestwaycorp.com of bij het dichtstbijzijnde zwembadverkooppunt.



BELANGRIJK: Gebruik geen korreltabletten en gooi de tablet niet direct in het water. De chemicaliën kunnen op de bodem gaan zitten en het materiaal beschadigen en het PVC ontkleuren.

Gebruik van chemische vloeistoffen (niet inbegrepen):

BELANGRIJK: Voeg chemische vloeistof in kleine doses en in het midden van het zwembad toe om direct contact tussen chemicaliën en het PVC-oppervlak te vermijden. Direct contact kan het materiaal beschadigen en het oppervlak ontkleuren.

OPMERKING: Verwijder de chemiciëndoseerder uit het zwembad wanneer het zwembad in gebruik is.

BELANGRIJK: Na het uitvoeren van chemisch onderhoud en voor het gebruik van het zwembad, gebruik een testkit (niet inbegrepen) om de waterchemie te testen. Wij adviseren het water te behouden zoals in de onderstaande tabel.

Parameters	Waarden
Waterhelderheid	duidelijk zicht van de bodem van het zwembad
Kleur van het water	er mag geen kleur worden geobserveerd
Turbiditeit in FNU/NTU	max. 1,5 (bij voorkeur minder dan 0,5)
Nitraatconcentratie boven die van vulwater in mg/l	max. 20
Totaal organische koolstof (TOC) in mg/l	max. 4,0
Redoxpotentiaal tegen Ag/AgCl 3,5 m KCl in mV	min. 650
pH-waarde	6,8 tot 7,6
Vrij werkzaam chloor (zonder cyaanuurzuur) in mg/l	0,3 tot 1,5
Vrij werkzaam chloor in combinatie met cyaanuurzuur in mg/l	1,0 tot 3,0
Cyaanuurzuur in mg/l	max. 100
Gecombineerd chloor in mg/l	max. 0,5 (bij voorkeur dicht bij 0,0 mg/l)

OPMERKING: Schade tengevolge van chemische onevenwichtigheid is niet gedekt door de garantie. Zwembadchemicaliën zijn potentieel giftig en moeten met zorg gehanteerd worden. Er zijn ernstige gezondheidsrisico's van chemische dampen de het incorrecte labelen en bewaren van chemische containers. Consulteer uw plaatselijke zwembadleverancier voor meer informatie over chemisch onderhoud. Volg nauwgezet de instructies van de fabrikant van de chemicaliën. Schade aan het zwembad tengevolge van het verkeerd gebruik van chemicaliën en verkeerd beheer van het zwembadwater is niet gedekt door de garantie.

BELANGRIJK: Overgebruik van chemicaliën kan de print en alle punten van het zwembadmateriaal doen verkleuren. Het kan ook de structuur van de zwembadbekleding beschadigen.

Het zwembad schoon houden

1. Neem contact op met uw plaatselijke zwembadverkooppunt voor advies en aankoop van chemicaliën en PH-kits. Een van de belangrijkste factoren om de levensduur van de bekleding te doen toenemen is het water steeds schoon en gezond te houden. Volg daarom de instructies van professionele technici strikt op voor de waterbehandeling middels het gebruik van chemicaliën.
2. Plaats een emmer water naast het zwembad om de voeten van de gebruikers mee te wassen voordat ze het zwembad in stappen.
3. Dek het zwembad af wanneer het niet in gebruik is.
4. Skim het oppervlak van het zwembadwater regelmatig om vuilafzetting te voorkomen.

5. Controleer en spoel het filterpatroon regelmatig.
6. Maak van onder de bovenste ring zachtjes schoon en haal eventueel vuil weg met een schone doek.
7. Wees voorzichtig in geval van regenwater, controleer of het waterniveau niet hoger is dan verwacht. Indien dit het geval is, HET OVERTOLLIGE WATER AFVOEREN.
8. Als het regent, controleer dat het waterniveau niet hoger is dan het opgegeven niveau. Als het waterniveau het opgegeven niveau overschrijdt, voer dan water af tot het opgegeven niveau bereikt is.

Correct onderhoud kan de levensduur van uw zwembad maximaliseren.

Tijdens het seizoen waarin het zwembad gebruikt wordt, moet het filtersysteem noodzakelijkerwijs elke dag worden gebruikt, lang genoeg om ten minste een complete verversing van het hele watervolume te garanderen.

OPMERKING: De pomp wordt gebruikt om het water te circuleren en om de kleine deeltjes te filteren. U moet ook chemicaliën toevoegen om uw water proper en hygiënisch te houden.

REPARATIE

In het geval van een lek, repareer uw zwembad met behulp van de bijgeleverde heavy-duty reparatiepatch voor onderwater. U kunt de instructies in de FAQ vinden in de supportafdeling van onze website, www.bestwaycorp.com

DEMONTENEREN

1. Draai de dop van de drainageklep aan de buitenzijde van het zwembad rechtsom open en verwijder de dop.
2. Sluit de adapter aan op de tuinslang en schik het ander uiteinde in de zone waar u het water wilt laten afvloeien. (Controleer de lokale regelgeving voor een wettelijke drainage).
3. Schroef de bedieningsring van de slangadapter met de klok mee op de afvoerlepel. De afvoerlepel zal open gaan en water zal automatisch afgevoerd worden.

OPGELET: De waterstroom kan geregeld worden met de regeling.

4. Na de drainage, wordt de regeling losgedraaid om de klep te sluiten.

5. Koppel de slang los.

6. Draai de dop weer op de drainageklep.

7. Laat het zwembad drogen aan de lucht.

OPGELET: Laat het leeg zwembad niet buiten staan.

OPBERGEN

1. Verwijder alle accessoires en reserveonderdelen van het zwembad en berg ze proper en droog op.

2. Wanneer het zwembad volledig droog is, besprenkel met talkpoeder om te vermijden dat het zwembad samenkleeft en vouw het zwembad dan zorgvuldig op. Als het zwembad niet volledig droog is, kan er schimmel ontstaan die de zwembadbekleding kan beschadigen.

3. Berg de bekleding en accessoires in een droge plaats op met een matige temperatuur tussen 5°C / 41°F and 38°C / 100°F.

4. Tijdens het regenseizoen moeten het zwembad en de accessoires ook volgens bovenstaande instructies worden opgeborgen.

5. Het zwembad op incorrecte wijze laten leeglopen kan ernstig persoonlijk letsel en/of schade aan persoonlijke eigendom veroorzaken.

6. We bevelen ten zeerste aan het zwembad te demonteren buiten het seizoen (tijdens de wintermaanden). Berg op in een droge plaats en buiten het bereik van kinderen.

Bedankt dat U voor Bestway hebt gekozen !

BE/NL

Ontvang onmiddellijk **gratis** de garantieverlenging voor uw aankoop !
Registreer uw product binnen de 30 dagen na de aankoopdatum en wij geven u 6 maanden gratis garantieverlenging.

Bezoek **WWW.REGISTREERBESTWAY.BE** en registreer direct uw product !

De territoriale uitbreiding van deze aanvullende garantie betreft de volgende landen : België, Luxemburg, Italië, Frankrijk, Duitsland en Spanje.



**PISCINE OVALI
POWER STEEL™
MANUALE D'USO**

Visita il canale Bestway su YouTube

⚠ AVVERTENZA

Leggere attentamente, comprendere e seguire tutte le informazioni in questo manuale prima di installare ed utilizzare la piscina. Queste avvertenze, istruzioni e linee guida di sicurezza trattano alcuni rischi comuni dello svago in acqua, ma non possono coprire tutti i rischi e pericoli in tutti i casi. Fare sempre attenzione e usare buon senso e giudizio durante i giochi in piscina. Conservare questo opuscolo per futuri riferimenti.

Sicurezza dei non nuotatori

- E' necessaria la sorveglianza continua, attiva e vigile dei nuotatori poco esperti e non nuotatori da parte di un adulto competente (ricordando che i bambini sotto i cinque anni sono a più alto rischio di annegamento).
- Designare un adulto competente che sorvegli la piscina ad ogni utilizzo.
- I nuotatori poco esperti e i non nuotatori devono indossare dispositivi di protezione individuale durante l'uso della piscina.
- Quando la piscina è inutilizzata o non sorvegliata, rimuovere tutti i giocattoli dalla piscina e dai suoi dintorni per evitare di attirare i bambini verso la piscina.

Dispositivi di sicurezza

- Per evitare il rischio di annegamento dei bambini, si raccomanda di proteggere l'accesso alla piscina con un dispositivo di sicurezza. Al fine di evitare che i bambini si arrampichino dalla valvola di ingresso e di uscita, si raccomanda di installare una barriera (e proteggere tutte le porte e le finestre, se possibile) per impedire l'accesso non autorizzato alla piscina.
- Barriere, coperture e allarmi per piscine, o simili dispositivi di sicurezza sono utili, ma non possono sostituire la sorveglianza continua e competente di un adulto.

Attrezzaatura di sicurezza

- Si raccomanda di tenere le attrezzaature di sicurezza (ad es. galleggianti) in prossimità della piscina.
- Tenere un telefono funzionante e un elenco di numeri di emergenza vicino alla piscina.

Uso sicuro della piscina

- Incorporare tutti gli utenti e in particolare i bambini ad imparare a nuotare
- Imparare le tecniche di primo soccorso (rianimazione cardiopolmonare - RCP) e aggiornare regolarmente le proprie conoscenze. Ciò può fare la differenza e salvare vite umane in caso di emergenza.
- Informare tutti gli utenti della piscina, compresi i bambini, delle procedure da adottare in caso di emergenza
- Non tuffarsi in bacini d'acqua poco profondi. Ciò potrebbe causare lesioni gravi, anche fatali.
- Non usare la piscina se sono stati assunti alcol o farmaci che potrebbero compromettere la capacità di utilizzare in modo sicuro la piscina.
- Quando si utilizzano le coperture per piscina, rimuoverle completamente dalla superficie dell'acqua prima di entrare in piscina.
- Proteggere gli occupanti della piscina da malattie legate all'acqua, mantenendo l'acqua della piscina trattata e in buone condizioni igieniche. Consultare le linee guida per il trattamento dell'acqua contenute nel manuale utente.
- Conservare i prodotti chimici (es. trattamento dell'acqua, prodotti per la pulizia e la disinfezione) fuori dalla portata dei bambini.
- Utilizzare la segnaletica come indicato di seguito. La segnaletica deve essere esposta in modo visibile entro il raggio di 2 m dalla piscina.



Quando i bambini sono in acqua, sorvegliarli continuamente. Non tuffarsi.
 - Le scalette rimovibili devono essere collocate su una superficie orizzontale.
 - Indipendentemente dai materiali utilizzati per la costruzione della piscina, le superfici accessibili devono essere controllate regolarmente per evitare infortuni.

- Controllare regolarmente i bulloni e le viti; rimuovere schegge o bordi appuntiti per evitare lesioni.
- ATTENZIONE:** Non lasciare la piscina svuotata all'aperto. La piscina vuota rischia di deformarsi e/o di spostarsi a causa del vento.
- Se è presente una pompa filtrante, fare riferimento al relativo manuale di istruzioni.
- AVVERTENZA!** Non adoperare la pompa quando le persone si trovano nella piscina!
- Se è presente una scaletta, fare riferimento al relativo manuale di istruzioni.
- AVVERTENZA!** Per utilizzare la piscina è obbligatorio attenersi alle istruzioni relative alla sicurezza riportate nella guida per l'uso e la manutenzione. Al fine di prevenire l'annegamento o altre gravi lesioni, prestare particolare attenzione alla possibilità di accesso inatteso alla piscina da parte di bambini sotto i 5 anni rendendo sicuro l'accesso alla piscina ad essa e, durante il bagno, tenerli sotto la costante sorveglianza di un adulto.

Leggere attentamente e conservare per futuri riferimenti.

SCEGLI IL LUOGO GIUSTO

La superficie scelta per l'installazione della piscina deve rispettare le seguenti caratteristiche tecniche:

1. E' estremamente importante che la superficie scelta per l'installazione della piscina sia in grado di sostenere uniformemente il carico totale dell'acqua e delle persone al suo interno per tutto il tempo in cui essa rimane installata. Al momento di scegliere la superficie di appoggio, si prega di tenere a mente che l'acqua della piscina potrebbe fuoriuscire durante l'utilizzo o quando piove. Qualora la superficie di installazione venisse ammorbidita dall'acqua, potrebbe perdere la capacità di sostenere il peso della piscina.
2. Controllare regolarmente la posizione dei supporti verticali e di quelli a U. Devono essere allo stesso livello del fondo della piscina. Se uno dei supporti verticali o a U dovesse iniziare ad affondare nel terreno, svuotare immediatamente la piscina per evitare che questa collassi a causa del carico non uniforme sulla struttura del telaio. In quel caso, cambiare l'ubicazione della piscina o il materiale della superficie dove è installata.
3. Si consiglia di posizionare la piscina lontano da qualsiasi oggetto che i bambini potrebbero usare per arrampicarsi in piscina.
4. Posizionare la piscina vicino a un sistema di scarico adeguato per far fronte ad un eventuale trabocco o per svuotare la piscina.
5. La superficie di appoggio deve essere piana e liscia. Se la superficie è inclinata o irregolare, si può creare un carico sbilanciato sulla struttura della piscina. Questa situazione potrebbe danneggiare il punto di saldatura del telo di rivestimento e far incurvare il telaio. Nel peggiore dei casi, la piscina potrebbe crollare, causando gravi lesioni a persone e/o seri danni a proprietà personali.
6. La superficie selezionata deve essere libera da qualsiasi ingombro. A causa del peso dell'acqua, qualsiasi oggetto sotto la piscina potrebbe danneggiare il fondo o perforarlo.
7. La superficie selezionata deve risultare libera da piante invasive e altre specie erbacce infestanti. Questo tipo di vegetazione aggressiva potrebbe infatti crescere attraverso il telo di rivestimento e causare delle perdite d'acqua. L'erba o qualsiasi altro tipo di vegetazione che potrebbe causare cattivi odori o che potrebbe favorire la formazione di melma deve essere estirpata dal luogo dove si intende collocare la piscina.
8. Il luogo selezionato non deve trovarsi al di sotto di linee di alta tensione o alberi. Assicurarsi che il luogo in questione non presenti condotti, tubature o cavi sotterranei di alcun tipo.
9. La posizione selezionata deve essere lontana dall'ingresso di casa. Non posizionare alcun tipo di attrezzatura o altri mobili intorno alla piscina. L'acqua fuoriuscita dalla piscina durante il normale utilizzo o a causa di un difetto del prodotto può danneggiare i mobili in casa e intorno alla piscina.
10. La superficie selezionata deve essere piana e priva di buche che possano danneggiare il materiale del rivestimento.

Seguire le importanti istruzioni riportate sopra per scegliere la superficie corretta e il luogo giusto per installare la tua piscina. Le parti della piscina rimaste danneggiate come conseguenza del non aver seguito le istruzioni inerenti al luogo e alla superficie di installazione corretti non saranno considerate come difetti di fabbrica. Ciò renderà invalida la garanzia e precluderà la possibilità di fare qualsiasi richiesta di assistenza.

Superfici di installazione consigliate: erba, terreno, cemento e tutte le altre superfici che rispettano le condizioni di installazione di cui sopra.

Superfici non consigliate: fango, sabbia, ghiaia, pedana, balcone, vialetto, piattaforma, terreno soffice/non compatto o altra superficie che non soddisfi le condizioni di installazione di cui sopra.

NOTA: Verificare con l'amministrazione locale le norme relative all'installazione di recinti, barriere e segnalazioni luminose, nonché i requisiti di sicurezza, e assicurarsi di essere in regola con tutte le disposizioni di legge esistenti.

NOTA: Se si dispone di una pompa di filtraggio, fare riferimento al manuale di istruzioni relativo.

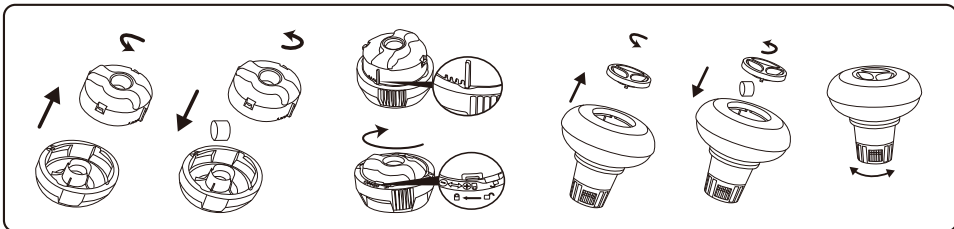
NOTA: La scaletta deve essere adeguata alle dimensioni della piscina e deve essere utilizzata esclusivamente per entrare e uscire dalla piscina. È vietato superare la portata massima consentita della scaletta. Controllare regolarmente che la scaletta sia montata in modo corretto.

MANUTENZIONE DELLA PISCINA

Se non si rispettano le linee guida di manutenzione riportate di seguito, la salute potrebbe essere a rischio, in particolare quella dei propri figli.

Utilizzo di compresse chimiche (non incluse):

NOTA: Chemconnect o Chemical Floater devono essere utilizzati quando si esegue la manutenzione chimica con compresse. L'articolo acquistato potrebbe non includere nessuno di questi distributori, in questo caso è possibile acquistarlo visitando il nostro sito web www.bestwaycorp.com o presso il rivenditore di piscine più vicino.



IMPORTANTE: Non utilizzare compresse di granulato o gettare la compressa direttamente nell'acqua. I prodotti chimici possono depositarsi sul fondo, danneggiare il materiale e scolorire il PVC.

Utilizzo di liquido chimico (non incluso):

IMPORTANTE: Aggiungere liquido chimico a piccole dosi e al centro della piscina per evitare il contatto diretto tra i prodotti chimici e la superficie del PVC. Il contatto diretto può danneggiare il materiale e scolorire la superficie.

NOTA: Rimuovere il distributore chimico dalla piscina quando la piscina è in uso.

IMPORTANTE: Dopo aver eseguito la manutenzione chimica e prima di utilizzare la piscina, utilizzare un kit di prova (non incluso) per testare la chimica dell'acqua. Raccomandiamo di mantenere l'acqua secondo la seguente tabella.

Parametri	Valori
Chiarezza dell'acqua	chiara visione del fondo della piscina
Colore dell'acqua	nessun colore dovrebbe essere osservato
Torbidità in FNU / NTU	max. 1,5 (preferibilmente inferiore a 0,5)
Concentrazione di nitrati superiore a quella dell'acqua di riempimento in mg / l	max. 20
Carbonio organico totale (TOC) in mg / l	max. 4,0
Potenziale redox contro Ag / AgCl 3,5 m KCl in mV	min. 650
Valore pH	da 6,8 a 7,6
Cloro attivo libero (senza acido cianurico) in mg / l	da 0,3 a 1,5
Cloro libero usato in combinazione con acido cianurico in mg / l	da 1,0 a 3,0
Acido cianurico in mg / l	max. 100
Cloro combinato in mg / l	max. 0,5 (preferibilmente vicino a 0,0 mg / l)

NOTA: I danni derivanti da uno squilibrio chimico non sono coperti dalla garanzia. I prodotti chimici per piscina sono potenzialmente tossici e devono essere maneggiati con cura. Esistono gravi rischi per la salute derivanti dai vapori chimici e dall'etichettatura e dallo stoccaggio errati dei contenitori di sostanze chimiche. Per ulteriori informazioni sulla manutenzione chimica, consultare il rivenditore locale di articoli da piscina. Prestare molta attenzione alle istruzioni del produttore del prodotto chimico. I danni alla piscina derivanti dall'uso improprio di sostanze chimiche e dalla cattiva gestione dell'acqua della piscina non sono coperti da garanzia.

IMPORTANTE: L'uso eccessivo di sostanze chimiche può scolorire la stampa e tutti i punti del materiale della piscina. Può anche danneggiare la struttura del rivestimento della piscina.

Per mantenere pulita la piscina:

1. Contattare il negozio di forniture per piscina locale per consulenza e acquisto di prodotti chimici e kit pH. Uno dei fattori più importanti per aumentare la durata del rivestimento è quello di mantenere costantemente acqua pulita e sana. Si prega di seguire rigorosamente le istruzioni dei tecnici professionisti per il trattamento dell'acqua attraverso l'uso di prodotti chimici.
2. Collocare un secchio d'acqua accanto alla piscina per pulire i piedi dei bagnanti prima di entrare nella piscina.
3. Coprire la piscina quando non in uso.
4. Scredare la piscina regolarmente per evitare lo sporco depositato.

5. Controllare e lavare regolarmente la cartuccia del filtro.
6. Pulire delicatamente la schiuma da sotto l'anello superiore con un panno pulito.
7. Si prega di fare attenzione in caso di acqua piovana, verificare gentilmente che il livello dell'acqua non sia superiore al previsto. In tal caso, SCARICARE L'ACQUA IN ECCESSO.
8. Se piove, verificare che il livello dell'acqua non sia superiore al livello specificato. Se l'acqua supera i livelli specificati, scaricare la piscina al livello specificato.

Una corretta manutenzione può massimizzare la durata della piscina.

Durante la stagione di utilizzo della piscina, il sistema di filtrazione deve essere necessariamente messo in servizio ogni giorno, tempo sufficiente per assicurare almeno un completo rinnovo del volume di acqua.

NOTA: La pompa viene utilizzata per far circolare l'acqua e per filtrare piccole particelle. Per mantenere l'acqua della piscina pulita e igienica, è necessario aggiungere anche sostanze chimiche.

RIPARAZIONE

In caso di perdite, rattoppare la piscina utilizzando la toppa di riparazione adesiva impermeabile fornita. Puoi trovare le istruzioni nelle FAQ nella sezione di supporto del nostro sito Web, www.bestwaycorp.com.

SMONTAGGIO

1. Svitare il tappo della valvola sulla parte esterna della piscina girando in senso antiorario e rimuoverlo.
2. Collegare l'adattatore a un'estremità della canna, posizionando l'altra estremità nell'area di scolo dell'acqua contenuta nella piscina (verificare le normative locali che regolamentano il deflusso dell'acqua).
3. Avvitare in senso orario l'anello di controllo dell'adattatore del tubo alla valvola di scarico. In tal modo, la valvola di scarico si apre e si avvia automaticamente lo scarico dell'acqua.

ATTENZIONE: È possibile controllare il flusso dell'acqua regolando il serratabo.

4. Una volta terminato il deflusso dell'acqua, svitare il serratabo per chiudere la valvola.
5. Staccare la canna.
6. Riavvitare il tappo sulla valvola di scolo.
7. Lasciare fuoriuscire l'aria dalla piscina.

ATTENZIONE: Non lasciare all'aperto la piscina ormai vuota.

CONSERVAZIONE

1. Rimuovere tutti gli accessori e i ricambi della piscina; pulirli e asciugarli prima di conservarli.
2. Quando la piscina è completamente asciutta, spargere polvere di talco per evitare che le pareti della piscina si incollino tra loro, quindi ripiegarla con cura. Se la piscina non è completamente asciutta, potrebbe ammuffirsi e il rivestimento della piscina potrebbe danneggiarsi.
3. Conservare il rivestimento e gli accessori in un luogo asciutto con una temperatura moderata tra 5°C/41°F e 38°C/100°F.
4. Durante i periodi piovosi, la piscina e i relativi accessori devono essere conservati attenendosi alle istruzioni sopra fornite.
5. Se la piscina non viene svuotata correttamente, potrebbero verificarsi gravi lesioni personali e/o danni a oggetti e beni.
6. Si consiglia vivamente di smontare la piscina durante la bassa stagione (mesi invernali). Conservare in un luogo asciutto e fuori dalla portata dei bambini.

Grazie per aver scelto Bestway!

IT

Estendi subito **gratuitamente** la garanzia del tuo acquisto!

Registra il tuo prodotto entro 30 giorni dall'acquisto e regalati 6 mesi di estensione gratuita della garanzia.

Visita: **WWW.REGISTRAZIONEBESTWAY.IT** e registra subito il tuo prodotto.

La promozione è valida solo nei territori di Italia, Belgio, Francia, Germania, Lussemburgo, Spagna.

PISCINES OVALES POWER STEEL™ NOTICE D'UTILISATION

Visitez la chaîne YouTube de Bestway 



⚠ ATTENTION

Avant d'installer et d'utiliser, la piscine, veuillez lire attentivement, assimiler et respecter toutes les informations contenues dans cette notice d'utilisation. Ces avertissements, instructions et consignes de sécurité portent sur certains des risques usuels associés aux loisirs aquatiques, mais ils ne peuvent pas couvrir la totalité des risques et dangers dans tous les cas. Faites toujours preuve de prudence, de discernement et de bon sens lors des activités aquatiques. Conservez ces informations afin de pouvoir vous y référer ultérieurement.

Sécurité des non-nageurs

- Une surveillance attentive, active et continue par un adulte compétent des enfants qui ne savent pas bien nager et des non-nageurs est requise en permanence (en gardant à l'esprit que le risque de noyade est le plus élevé pour les enfants de moins de cinq ans).
- Désignez un adulte compétent pour surveiller le bassin à chaque fois qu'il est utilisé.
- Il convient que les enfants qui ne savent pas bien nager ou les non-nageurs portent des équipements de protection individuelle lorsqu'ils utilisent la piscine.
- Lorsque le bassin n'est pas utilisé ou est sans surveillance, retirez tous les jouets de la piscine et ses abords afin de ne pas attirer les enfants vers le bassin.

Dispositifs de sécurité

- Pour éviter toute noyade d'enfant, il est recommandé de sécuriser l'accès au bassin par un dispositif de protection. Pour éviter que les enfants montent par la vanne d'entrée et de sortie, il est recommandé d'installer une barrière (et de sécuriser toutes les portes et fenêtres, le cas échéant) afin d'empêcher tout accès non autorisé à la piscine.
- Les barrières, couvertures, alarmes de piscines ou dispositifs de sécurité similaires sont des aides utiles, mais ils ne remplacent pas la surveillance continue par un adulte compétent.

Équipements de sécurité

- Il est recommandé de garder du matériel de sauvetage (une bouée, par exemple) près du bassin.
- Gardez un téléphone en parfait état de marche et une liste de numéros d'urgence à proximité du bassin.

Sécurité d'emploi de la piscine

- Inctez tous les utilisateurs, en particulier les enfants, à apprendre à nager.
- Apprenez les gestes qui sauvent (réanimation cardiopulmonaire) et remettez régulièrement à jour vos connaissances. Ces gestes peuvent sauver une vie en cas d'urgence.
- Expliquez aux utilisateurs de la piscine, enfants inclus, la procédure à suivre en cas d'urgence.
- Ne plongez jamais dans un plan d'eau peu profond, sous peine de blessures graves ou mortelles.
- N'utilisez pas la piscine sous l'emprise d'alcool ou de médicaments susceptibles de réduire votre capacité à utiliser la piscine en toute sécurité.
- Si la piscine est recouverte d'une couverture, retirez-la entièrement de la surface de l'eau avant d'entrer dans le bassin.
- Traitez l'eau de votre piscine et instaurez de bonnes pratiques d'hygiène afin de protéger les utilisateurs des maladies liées à l'eau. Consultez les consignes de traitement de l'eau données dans la notice d'utilisation.
- Stockez les produits chimiques (produits de traitement de l'eau, de nettoyage ou de désinfection, par exemple) hors de portée des enfants.
- Utilisez les pictogrammes décrits ci-dessous. Les pictogrammes doivent être affichés dans une position visible à moins de 2 000 mm de la piscine.



Garder les enfants sous surveillance dans l'environnement aquatique. Ne pas plonger.

- Placez les échelles amovibles sur une surface horizontale.

- Quels que soient les matériaux utilisés pour la construction de la piscine, les surfaces accessibles doivent être régulièrement contrôlées afin d'éviter les blessures.
- Vérifiez régulièrement les boulons et les vis ; éliminez les écailles ou toute arête vive pour éviter les blessures.
- ATTENTION :** Ne laissez pas la piscine vide à l'extérieur. La piscine vide est susceptible de se déformer et/ou d'être emportée par le vent.
- Si vous avez une pompe de filtration, reportez-vous à la notice d'instructions de la pompe.
- ATTENTION !** Il est interdit d'utiliser la pompe quand des gens se trouvent à l'intérieur de la piscine !
- Si vous avez une échelle, reportez-vous à la notice d'instructions de l'échelle.
- ATTENTION !** L'utilisation d'une piscine implique le respect des consignes de sécurité décrites dans la notice d'entretien et d'utilisation. Pour prévenir toute noyade ou autres blessures graves, accordez une attention particulière à la sécurisation de l'accès à la piscine pour les enfants de moins de 5 ans et, pendant la période de baignade, les maintenir en permanence sous la surveillance d'un adulte.

À lire attentivement et à conserver pour consultation ultérieure.

CHOISISSEZ UN EMPLACEMENT CORRECT

La surface choisie pour installer la piscine doit respecter les caractéristiques techniques suivantes :

1. En raison du poids combiné de l'eau à l'intérieur de la piscine et des usagers de la piscine, il est extrêmement important que la surface choisie pour installer la piscine soit capable de supporter uniformément le poids total pendant tout le temps où la piscine sera installée. Lorsque vous choisissez la surface, tenez compte que de l'eau pourrait s'échapper de la piscine pendant l'utilisation ou en cas de pluie. Si l'eau ramolli la surface, celle-ci pourrait perdre sa capacité de soutenir le poids de la piscine.
2. Vérifiez régulièrement la position des montants verticaux et des supports en U. Ils doivent toujours se trouver au même niveau que le fond de la piscine. Si le montant vertical ou le support en U commence à s'enfoncer dans le sol, vidangez immédiatement l'eau pour éviter que la piscine s'effondre en raison d'une charge inégale de la structure. Changez la piscine d'emplacement ou modifiez le matériel de la surface.
3. Nous conseillons de positionner la piscine loin des objets que les enfants pourraient utiliser pour grimper dans la piscine.
4. Positionnez la piscine à proximité d'un système de drainage adéquat pour faire face à un éventuel débordement ou pour vidanger la piscine.
5. La surface doit être plane et lisse. Si la surface est inclinée ou irrégulière, la structure de la piscine pourrait se retrouver déséquilibrée par la charge. Cette situation peut endommager le point de soudure de la bache et tordre la structure. Dans les pires cas, la piscine peut s'effondrer, en provoquant des blessures graves et/ou des dégâts matériels.
6. La surface choisie doit être libérée de tout type d'objet. En raison du poids de l'eau, tout objet situé sous la piscine pourrait endommager et troyer le fond de la piscine.
7. La surface choisie doit être libérée des plantes agressives et des mauvaises herbes. Ces types de végétation résistante pourraient pousser à travers la bache et créer des fuites d'eau. L'herbe ou toute autre végétation qui pourrait provoquer la formation d'odeurs ou de vase doit être éliminée de l'emplacement choisi pour l'installation.
8. Il ne doit pas y avoir de lignes de haute tension ni d'arbres au-dessus de l'emplacement choisi. Vérifiez que l'emplacement ne contient pas de tuyaux, de lignes ou de câbles sous terre, quels qu'ils soient.
9. La position choisie doit être éloignée de l'entrée de la maison. Ne placez aucun équipement ou autre meuble autour de la piscine. L'eau sortant de la piscine durant l'utilisation ou en raison d'un produit défectueux peut endommager le mobilier à l'intérieur de la maison ou autour de la piscine.
10. La surface choisie doit être plane et dépourvue de trous qui peuvent endommager le matériel de la bache.

Suivez les consignes importantes ci-dessus pour choisir la bonne surface et le bon emplacement pour y installer votre piscine. Les parties endommagées de la piscine, en raison d'une surface d'installation et d'un emplacement ne correspondant pas aux instructions, ne seront pas considérées comme des vices de fabrication et rendront la garantie caduque et interdiront toute réclamation.

Surfaces d'installation conseillées : pelouse, terre, béton et toutes les autres surfaces qui respectent les conditions d'installation ci-dessus.

Surfaces déconseillées : boue, sable, gravier, terrasse en bois, balcon, sortie de garage, plateforme, terre meuble/fragile ou autre surface ne correspondant pas aux conditions d'installation ci-dessus.

REMARQUE : Adressez-vous à votre mairie pour connaître les lois en vigueur en matière de clôtures, barrières, éclairage et exigences de sécurité, et vérifiez que vous respectez bien toutes ces lois.

REMARQUE : Si vous avez une pompe de filtration, reportez-vous à la notice d'instructions de la pompe.

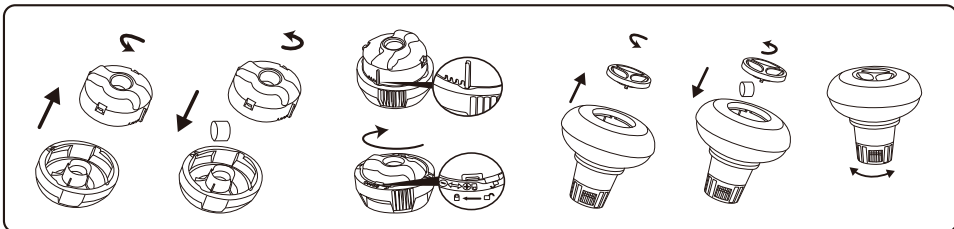
REMARQUE : L'échelle doit être adaptée à la taille de la piscine et ne doit être utilisée que pour entrer et sortir de la piscine. Il est interdit de dépasser la charge admissible de l'échelle. Vérifiez régulièrement que l'échelle soit montée correctement.

ENTRETIEN DE LA PISCINE

Si vous ne respectez pas les consignes d'entretien ci-dessous, vous mettez en danger votre santé, et en particulier celle de vos enfants.

Utilisation de comprimés chimiques (non inclus) :

REMARQUE : Le diffuseur Chemconnect ou le flotteur chimique doit être utilisé lorsque vous effectuez l'entretien chimique avec des comprimés. L'article que vous avez acheté peut ne comprendre aucun de ces diffuseurs. Dans ce cas-là, vous devez l'acheter en visitant notre site web www.bestwaycorp.com ou chez le revendeur de piscines le plus proche.



IMPORTANT : N'utilisez pas de comprimés en granulés et ne jetez pas le comprimé directement dans l'eau. Les produits chimiques peuvent se déposer au fond, endommager le matériel et décolorer le PVC.

Utilisation de liquide chimique (non inclus) :

IMPORTANT : Ajoutez le liquide chimique en petites doses et au centre de la piscine pour éviter tout contact direct entre le produit chimique et la surface du PVC. Tout contact direct peut endommager le matériel et décolorer la surface.

REMARQUE : Sortez le diffuseur de produits chimiques de la piscine lorsque vous utilisez la piscine.

IMPORTANT : Après avoir effectué le traitement chimique et avant d'utiliser la piscine, servez-vous d'un kit d'essai (non fourni avec) pour tester les propriétés chimiques de l'eau. Nous recommandons de maintenir l'eau conformément au tableau suivant.

Paramètres	Valeurs
Clarté de l'eau	le fond de la piscine est clairement visible
Couleur de l'eau	on ne doit remarquer aucune couleur de l'eau
Turbidité en FNU/NTU	1,5 maxi (de préférence inférieure à 0,5)
Concentration de nitrates supérieure à celle de l'eau de remplissage en mg/l	20 maxi
Carbone organique total (COT) en mg/l	4,0 maxi
Potentiel d'oxydo-réduction par rapport à Ag/AgCl 3,5 m KCl en mV	650 mini
Valeur du pH	de 6,8 à 7,6
Chlore actif libre (sans acide cyanurique) en mg/l	de 0,3 à 1,5
Chlore libre utilisé combiné avec de l'acide cyanurique en mg/l	de 1,0 à 3,0
Acide cyanurique en mg/l	100 maxi
Chlore combiné en mg/l	0,5 maxi (de préférence proche de 0,0 mg/l)

REMARQUE : La garantie ne couvre pas les dégâts provoqués par un déséquilibre chimique. Les produits chimiques pour piscine sont potentiellement toxiques et doivent être manipulés en faisant attention. Il existe des risques sérieux pour la santé dérivant des vapeurs chimiques ainsi que de l'étiquetage et du stockage incorrects des récipients chimiques. Veuillez vous adresser au concessionnaire de piscine le plus proche pour plus d'informations au sujet de la maintenance chimique. Lisez attentivement les instructions du producteur de produits chimiques. La garantie ne couvre pas les dégâts occasionnés à la piscine suite à une utilisation incorrecte des produits chimiques et à une mauvaise gestion de l'eau de la piscine.

IMPORTANT : L'utilisation excessive de produits chimiques peut décolorer l'imprimé et tous les points du matériel de la piscine. Elle peut également endommager la structure de la bache de piscine.

Pour maintenir votre piscine propre :

1. Adressez-vous au magasin de produits de piscine le plus proche pour obtenir des conseils et acheter des produits chimiques et des kits pour mesurer le pH. L'un des facteurs les plus importants pour augmenter la durée de vie de la bache consiste à maintenir l'eau toujours propre et saine. Veuillez suivre scrupuleusement les instructions des techniciens professionnels pour le traitement de l'eau en utilisant des produits chimiques.
2. Placez un seau d'eau à côté de la piscine pour que les utilisateurs se lavent les pieds avant d'entrer dans la piscine.
3. Couvrez la piscine quand vous ne l'utilisez pas.
4. Écumez la piscine régulièrement pour éviter que la saleté s'installe.
5. Contrôlez et lavez régulièrement la cartouche de filtration.
6. Nettoyez délicatement la mousse sous le boudin du haut avec un chiffon propre.

7. Faites attention quand il pleut en vérifiant que l'eau ne dépasse pas le niveau prévu. Si c'est le cas, **VOUS DEVEZ VIDANGER L'EXCÉDENT D'EAU.**
8. S'il pleut, vérifiez que le niveau de l'eau ne dépasse pas le niveau indiqué. Si l'eau dépasse les niveaux indiqués, vidangez la piscine jusqu'au niveau indiqué.

Un bon entretien peut optimiser la durée de vie de votre piscine.

Durant la saison d'utilisation de la piscine, le système de filtration doit être nécessairement mis en service tous les jours pendant suffisamment longtemps pour garantir au moins un renouvellement complet du volume de l'eau.

REMARQUE : La pompe sert à faire circuler l'eau et à filtrer les petites particules. Pour que l'eau de votre piscine reste propre et saine, vous devez également ajouter des produits chimiques.

RÉPARATION

En cas de fuite, réparez votre piscine au moyen de la rustine résistante fournie. Vous pouvez trouver les instructions dans les FAQ dans la section assistance de notre site web, www.bestwaycorp.com.

DÉMANTÈLEMENT

1. Dévissez le bouchon de la valve de vidange à l'extérieur de la piscine, dans le sens inverse des aiguilles d'une montre.
2. Branchez l'adaptateur au boyau et placez ce dernier là où vous souhaitez vider votre piscine. (Vérifiez les arrêtés municipaux en matière de vidange avant de procéder.)
3. Vissez la rondelle de contrôle de l'adaptateur du tuyau sur la vanne de vidange dans le sens des aiguilles d'une montre. La vanne de vidange sera ouverte et l'eau commencera à se vider automatiquement.

ATTENTION : L'anneau permet de contrôler le débit.

4. Une fois la vidange terminée, dévissez l'anneau de contrôle pour fermer la valve.
5. Débranchez le boyau.
6. Remettez le bouchon sur la valve de vidange.
7. Laissez la piscine sécher à l'air.

AVERTISSEMENT : Ne pas laisser une piscinette à l'extérieur, vide

RANGEMENT

1. Enlevez tous les accessoires et toutes les pièces détachées de la piscine, puis rangez-les après les avoir lavés et séchés.
2. Une fois que la piscine est entièrement sèche, saupoudrez de talc afin d'éviter que la piscine colle et pliez-la soigneusement. Si la piscine n'est pas entièrement sèche, de la moisissure peut se former et endommager la bâche de la piscine.
3. Rangez la bâche et les accessoires au sec à une température modérée comprise entre 5 °C / 41 °F et 38 °C / 100 °F.
4. Pendant la saison des pluies, il faut ranger la piscine et ses accessoires comme cela est indiqué plus haut.
5. Une vidange incorrecte de la piscine peut provoquer des blessures graves et/ou des dégâts matériels.
6. Nous conseillons vivement de démonter la piscine hors saison (pendant l'hiver). Rangez-la au sec, hors de portée des enfants.



CONSIGNE POUVANT VARIER LOCALEMENT > WWW.CONSIGNESDETREUFR

Merci d'avoir choisi Bestway !

FR

Obtenez immédiatement et **gratuitement** l'extension de garantie de votre achat ! Enregistrez votre produit dans les 30 jours à compter de la date d'achat et nous vous offrons 6 mois d'extension gratuite de la garantie.

Visitez **WWW.ENREGISTREMENTBESTWAY.FR** et enregistrez immédiatement votre produit!

L'extension territoriale de la présente garantie supplémentaire concerne les pays suivants : France, Allemagne, Belgique, Espagne, Italie, Luxembourg.

Merci d'avoir choisi Bestway !

BE/FR

Obtenez immédiatement et **gratuitement** l'extension de garantie de votre achat ! Enregistrez votre produit dans les 30 jours à compter de la date d'achat et nous vous offrons 6 mois d'extension gratuite de la garantie.

Visitez **WWW.ENREGISTREMENTBESTWAY.BE** et enregistrez immédiatement votre produit!

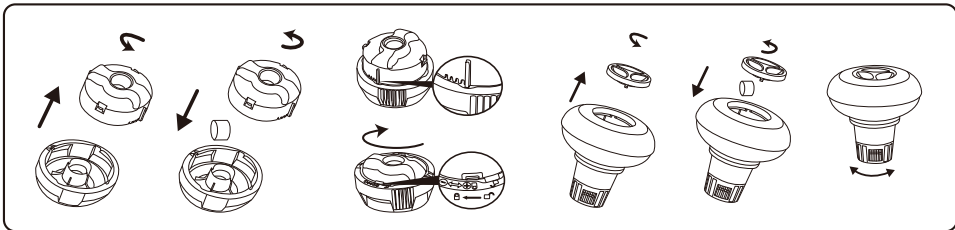
L'extension territoriale de la présente garantie supplémentaire concerne les pays suivants : Belgique, France, Italie, Allemagne, Espagne.

ΣΥΝΤΗΡΗΣΗ ΠΙΣΙΝΑΣ

ΕΑΝ ΔΕΝ ΣΥΜΜΟΡΦΕΙΤΕ ΜΕ ΤΙΣ ΟΔΗΓΙΕΣ ΣΥΝΤΗΡΗΣΗΣ ΠΟΥ ΑΝΑΓΡΑΦΟΝΤΑΙ ΚΑΙ ΕΠΙΣΗΜΑΙΝΟΝΤΑΙ ΠΑΡΑΚΑΤΩ, Η ΥΓΕΙΑ ΣΑΣ ΜΠΟΡΕΙ ΝΑ ΤΕΘΕΙ ΣΕ ΚΙΝΔΥΝΟ, ΙΔΙΑΙΤΕΡΩΣ ΔΕ ΑΥΤΗ ΤΩΝ ΠΑΙΔΙΩΝ.

ΧΡΗΣΗ ΧΗΜΙΚΩΝ ΤΑΜΠΛΕΤΩΝ (ΔΕΝ ΠΕΡΙΛΑΜΒΑΝΟΝΤΑΙ)

ΣΗΜΕΙΩΣΗ: ΤΟ "Chemconnect" (ΧΗΜΙΚΟΣ ΣΥΝΔΕΤΗΡΑΣ) Η ΤΟ "Chemical Floater" (ΧΗΜΙΚΟΣ ΠΛΩΤΗΡΑΣ) ΠΡΕΠΕΙ ΝΑ ΧΡΗΣΙΜΟΠΟΙΟΥΝΤΑΙ ΟΤΑΝ ΚΑΝΕΤΕ ΧΗΜΙΚΗ ΣΥΝΤΗΡΗΣΗ ΜΕ ΔΙΣΚΙΑ. ΤΟ ΣΤΟΙΧΕΙΟ ΠΟΥ ΑΓΟΡΑΣΑΤΕ ΜΠΟΡΕΙ ΝΑ ΜΗΝ ΠΕΡΙΛΑΜΒΑΝΕΙ ΚΑΝΕΝΑΝ ΑΠΟ ΑΥΤΟΥΣ ΤΟΥΣ ΔΙΑΝΕΜΤΕΣ, ΣΕ ΑΥΤΗ ΤΗ ΠΕΡΙΠΤΩΣΗ ΕΠΙΣΚΕΦΘΕΙΤΕ ΤΗΝ ΙΣΤΟΣΕΛΙΔΑ ΜΑΣ www.bestwaycorp.com Η ΤΟΝ ΠΛΗΣΙΕΣΤΕΡΟ ΑΝΤΙΠΡΟΣΩΠΟ ΤΗΣ ΠΙΣΙΝΑΣ.



ΣΗΜΑΝΤΙΚΟ: ΜΗΝ ΧΡΗΣΙΜΟΠΟΙΕΙΤΕ ΘΡΥΜΑΤΙΣΜΕΝΑ ΣΕ ΚΟΚΚΟΥΣ ΔΙΣΚΙΑ Η ΠΕΤΑΞΕΣ ΤΟ ΔΙΣΚΙΟ ΑΠΕΥΘΕΙΑΣ ΣΤΟ ΝΕΡΟ. ΟΙ ΧΗΜΙΚΕΣ ΟΥΣΙΕΣ ΜΠΟΡΕΙ ΝΑ ΕΝΑΠΟΤΕΘΟΥΝ ΣΤΟ ΚΑΤΩ ΜΕΡΟΣ, ΝΑ ΒΛΑΨΟΥΝ ΤΟ ΥΛΙΚΟ ΚΑΙ ΝΑ ΑΠΟΧΡΩΜΑΤΙΣΟΥΝ ΤΟ PVC.

ΧΡΗΣΗ ΧΗΜΙΚΟΥ ΥΓΡΟΥ (ΔΕΝ ΠΕΡΙΛΑΜΒΑΝΕΤΑΙ)

ΣΗΜΑΝΤΙΚΟ: ΠΡΟΣΘΕΣΤΕ ΧΗΜΙΚΟ ΥΓΡΟ ΣΕ ΜΙΚΡΕΣ ΔΟΣΕΙΣ ΚΑΙ ΣΤΟ ΚΕΝΤΡΟ ΤΗΣ ΠΙΣΙΝΑΣ ΩΣΤΕ ΝΑ ΑΠΟΦΥΓΕΤΕ ΤΗΝ ΑΜΕΣΗ ΕΠΑΦΗ ΤΩΝ ΧΗΜΙΚΩΝ ΟΥΣΙΩΝ ΜΕ ΤΗΝ ΕΠΙΦΑΝΕΙΑ PVC. Η ΑΜΕΣΗ ΕΠΑΦΗ ΜΠΟΡΕΙ ΝΑ ΚΑΤΑΣΤΡΕΨΕΙ ΤΟ ΥΛΙΚΟ ΚΑΙ ΝΑ ΑΠΟΧΡΩΜΑΤΙΣΕΙ ΤΗΝ ΕΠΙΦΑΝΕΙΑ.

ΣΗΜΕΙΩΣΗ: ΑΦΑΙΡΕΣΤΕ ΤΟΝ ΧΗΜΙΚΟ ΔΙΑΝΟΜΕΑ ΑΠΟ ΤΗΝ ΠΙΣΙΝΑ, ΟΤΑΝ Η ΠΙΣΙΝΑ ΕΙΝΑΙ ΣΕ ΧΡΗΣΗ.

ΣΗΜΑΝΤΙΚΟ: ΜΕΤΑ ΤΗΝ ΕΚΤΕΛΕΣΗ ΤΗΣ ΧΗΜΙΚΗΣ ΣΥΝΤΗΡΗΣΗΣ ΚΑΙ ΠΡΙΝ ΤΗ ΧΡΗΣΗ ΤΗΣ ΠΙΣΙΝΑΣ, ΧΡΗΣΙΜΟΠΟΙΗΣΤΕ ΕΝΑ ΚΙΤ ΔΟΚΙΜΗΣ (ΔΕΝ ΠΕΡΙΛΑΜΒΑΝΕΤΑΙ) ΩΣΤΕ ΝΑ ΔΟΚΙΜΑΣΕΤΕ ΤΗ ΧΗΜΕΙΑ ΤΟΥ ΝΕΡΟΥ. ΣΑΣ ΣΥΝΙΣΤΟΥΜΕ ΝΑ ΔΙΑΤΗΡΕΙΤΕ ΤΟ ΝΕΡΟ ΣΥΜΦΩΝΑ ΜΕ ΤΟΝ ΠΑΡΑΚΑΤΩ ΠΙΝΑΚΑ.

ΠΑΡΑΜΕΤΡΟΙ	ΤΙΜΕΣ
ΔΙΑΥΓΕΙΑ ΝΕΡΟΥ	ΚΑΘΑΡΗ ΘΕΑ ΤΟΥ ΠΥΘΜΕΝΑ ΤΗΣ ΠΙΣΙΝΑΣ
ΧΡΩΜΑ ΝΕΡΟΥ	ΔΕΝ ΠΡΕΠΕΙ ΝΑ ΠΑΡΑΤΗΡΕΙΤΑΙ ΧΡΩΜΑ
ΘΟΛΟΤΗΤΑ ΣΕ FNU / NTU	ΜΕΓΙΣΤΟ 1,5 (ΚΑΤΑ ΠΡΟΤΙΜΗΣΗ ΜΙΚΡΟΤΕΡΟ ΑΠΟ 0,5)
ΣΥΓΚΕΝΤΡΩΣΗ ΝΙΤΡΙΚΟΥ ΛΑΤΟΣ ΜΕΓΑΛΥΤΕΡΗ ΑΠΟ ΕΚΕΙΝΗ ΤΗΣ ΠΛΗΡΩΣΗΣ ΜΕ ΝΕΡΟ ΣΕ mg/l	ΜΕΓΙΣΤΟ 20
ΟΛΙΚΟΣ ΟΡΓΑΝΙΚΟΣ ΑΝΘΡΑΚΑΣ (TOC) ΣΕ mg/l	ΜΕΓΙΣΤΟ 4,0
ΔΥΝΑΜΙΚΗ ΟΞΕΙΔΩΝΑΓΩΓΗ ΕΝΑΝΤΙ Ag/AgCl 3,5 ΜΕΤΡΑ ΚCl ΣΕ mV	ΕΛΑΧΙΣΤΟ 650
ΤΙΜΗ pH	6,8 ΕΩΣ 7,6
ΕΛΕΥΘΕΡΟ ΕΝΕΡΓΟ ΧΛΩΡΙΟ (ΧΩΡΙΣ ΚΥΑΝΟΥΡΙΚΟ ΟΞΥ) ΣΕ mg/l	0,3 ΕΩΣ 1,5
ΧΡΗΣΙΜΟΠΟΙΕΙΤΑΙ ΕΛΕΥΘΕΡΟ ΧΛΩΡΙΟ ΣΕ ΣΥΝΔΥΑΣΜΟ ΜΕ ΚΥΑΝΟΥΡΙΚΟ ΟΞΥ ΣΕ mg/l	1,0 ΕΩΣ 3,0
ΚΥΑΝΟΥΡΙΚΟ ΟΞΥ ΣΕ mg/l	ΜΕΓΙΣΤΟ 100
ΣΥΝΔΥΑΣΜΕΝΟ ΧΛΩΡΙΟ ΣΕ mg/l	ΜΕΓΙΣΤΟ 0,5 (ΚΑΤΑ ΠΡΟΤΙΜΗΣΗ ΚΟΝΤΑ ΣΤΟ 0,0 mg/l)

ΣΗΜΕΙΩΣΗ: ΖΗΜΙΕΣ ΠΟΥ ΠΡΟΚΥΠΤΟΥΝ ΑΠΟ ΧΗΜΙΚΗ ΑΝΙΣΟΡΡΟΠΙΑ ΔΕΝ ΚΑΛΥΠΤΟΝΤΑΙ ΑΠΟ ΤΗΝ ΕΓΓΥΗΣΗ. ΤΑ ΧΗΜΙΚΑ ΠΙΣΙΝΑΣ ΕΙΝΑΙ ΠΙΘΑΝΟΝ ΤΩΞΙΚΑ ΚΑΙ ΓΙ' ΑΥΤΟ ΘΑ ΠΡΕΠΕΙ ΝΑ ΧΕΙΡΙΖΟΝΤΑΙ ΜΕ ΠΡΟΣΟΧΗ. ΥΠΑΡΧΟΥΝ ΣΟΒΑΡΟΙ ΚΙΝΔΥΝΟΙ ΓΙΑ ΤΗΝ ΥΓΕΙΑ ΑΠΟ ΧΗΜΙΚΟΥΣ ΑΤΜΟΥΣ ΚΑΙ ΑΠΟ ΤΗΝ ΛΑΝΘΑΣΜΕΝΗ ΣΗΜΑΝΣΗ ΚΑΙ ΑΠΟΘΗΚΕΥΣΗ ΤΩΝ ΔΟΧΕΙΩΝ ΜΕ ΤΑ ΧΗΜΙΚΑ. ΠΑΡΑΚΑΛΟΥΜΕ ΝΑ ΣΥΜΒΟΥΛΕΥΘΕΙΤΕ ΤΟ ΤΟΠΙΚΟ ΚΑΤΑΣΤΗΜΑ ΠΩΛΗΣΗΣ ΥΛΙΚΩΝ ΠΙΣΙΝΑΣ ΓΙΑ ΠΕΡΙΣΣΟΤΕΡΕΣ ΠΛΗΡΟΦΟΡΙΕΣ ΣΧΕΤΙΚΑ ΜΕ ΤΗΝ ΧΗΜΙΚΗ ΣΥΝΤΗΡΗΣΗ. ΔΩΣΤΕ ΠΡΟΣΟΧΗ ΣΤΙΣ ΟΔΗΓΙΕΣ ΤΟΥ ΚΑΤΑΣΚΕΥΑΣΤΗ ΤΩΝ ΧΗΜΙΚΩΝ. ΖΗΜΙΕΣ ΣΤΗΝ ΠΙΣΙΝΑ ΠΟΥ ΠΡΟΚΥΠΤΟΥΝ ΑΠΟ ΛΑΝΘΑΣΜΕΝΗ ΧΡΗΣΗ ΤΩΝ ΧΗΜΙΚΩΝ ΚΑΙ ΚΑΚΗ ΔΙΑΧΕΙΡΙΣΗ ΤΟΥ ΝΕΡΟΥ ΤΗΣ ΠΙΣΙΝΑΣ ΔΕΝ ΚΑΛΥΠΤΟΝΤΑΙ ΑΠΟ ΤΗΝ ΕΓΓΥΗΣΗ.

ΣΗΜΑΝΤΙΚΟ: Η ΥΠΕΡΒΟΛΙΚΗ ΧΡΗΣΗ ΧΗΜΙΚΩΝ ΟΥΣΙΩΝ ΜΠΟΡΕΙ ΝΑ ΑΠΟΧΡΩΜΑΤΙΣΕΙ ΤΗΝ ΕΚΤΥΠΩΣΗ ΚΑΙ ΟΛΑ ΤΑ ΣΧΕΤΙΚΑ ΣΗΜΕΙΑ ΤΟΥ ΥΛΙΚΟΥ ΤΗΣ ΠΙΣΙΝΑΣ. ΜΠΟΡΕΙ ΕΠΙΣΗΣ ΝΑ ΚΑΤΑΣΤΡΕΨΕΙ ΤΗ ΔΟΜΗ ΤΗΣ ΕΠΕΝΔΥΣΗΣ ΤΗΣ ΠΙΣΙΝΑΣ.

ΓΙΑ ΝΑ ΔΙΑΤΗΡΕΙΤΕ ΤΗΝ ΠΙΣΙΝΑ ΚΑΘΑΡΗ:

1. ΕΠΙΚΟΙΝΩΝΗΣΤΕ ΜΕ ΤΟ ΤΟΠΙΚΟ ΚΑΤΑΣΤΗΜΑ ΤΗΣ ΠΙΣΙΝΑΣ ΓΙΑ ΣΥΜΒΟΥΛΕΣ ΚΑΙ ΑΓΟΡΑ ΧΗΜΙΚΩΝ ΚΑΙ ΚΙΤ pH. ΕΝΑΣ ΑΠΟ ΤΟΥΣ ΣΗΜΑΝΤΙΚΟΤΕΡΟΥΣ ΠΑΡΑΓΟΝΤΕΣ ΓΙΑ ΤΗΝ ΑΥΞΗΣΗ ΤΗΣ ΔΙΑΡΚΕΙΑΣ ΖΩΗΣ ΤΗΣ ΕΠΕΝΔΥΣΗΣ ΕΙΝΑΙ ΝΑ ΔΙΑΤΗΡΕΙΤΑΙ ΣΥΝΕΧΩΣ ΚΑΘΑΡΟ ΚΑΙ ΥΓΙΕΙΝΟ ΝΕΡΟ. ΑΚΟΛΟΥΘΗΣΤΕ ΑΥΣΤΗΡΑ ΤΙΣ ΣΧΕΤΙΚΕΣ ΟΔΗΓΙΕΣ ΑΠΟ ΕΠΑΓΓΕΛΜΑΤΙΕΣ ΤΕΧΝΙΚΟΥΣ ΓΙΑ ΤΗΝ ΕΠΕΞΕΡΓΑΣΙΑ ΤΟΥ ΝΕΡΟΥ ΜΕΣΩ ΤΗΣ ΧΡΗΣΗΣ ΧΗΜΙΚΩΝ ΟΥΣΙΩΝ.
2. ΤΟΠΟΘΕΤΗΣΤΕ ΕΝΑΝ ΚΑΔΩ ΜΕ ΝΕΡΟ ΔΙΠΛΑ ΣΤΗΝ ΠΙΣΙΝΑ ΩΣΤΕ ΟΙ ΧΡΗΣΤΕΣ ΝΑ ΚΑΘΑΡΙΖΟΥΝ ΤΑ ΠΟΔΙΑ ΤΟΥΣ ΠΡΙΝ ΜΠΟΥΝ ΣΤΗΝ ΠΙΣΙΝΑ.
3. ΚΑΛΥΨΤΕ ΕΝΤΕΛΩΣ ΤΗΝ ΠΙΣΙΝΑ ΟΤΑΝ ΔΕΝ ΤΗ ΧΡΗΣΙΜΟΠΟΙΕΙΤΕ.
4. ΑΔΕΙΑΖΕΤΕ ΤΑΚΤΙΚΑ ΤΗΝ ΠΙΣΙΝΑ ΩΣΤΕ ΝΑ ΑΠΟΦΥΓΕΤΕ ΤΗ ΡΥΠΑΝΣΗ.
5. ΕΛΕΓΧΕΤΕ ΚΑΙ ΚΑΘΑΡΙΖΕΤΕ ΤΑΚΤΙΚΑ ΤΗΝ ΚΑΣΕΤΑ ΦΙΛΤΡΟΥ.
6. ΚΑΘΑΡΙΣΤΕ ΑΠΛΑ ΑΠΟ ΚΑΤΩ ΕΩΣ ΤΟΝ ΕΠΑΝΩ ΔΑΚΤΥΛΙΟ ΜΕ ΕΝΑ ΚΑΘΑΡΟ ΠΛΑΙΙ ΑΠΟΜΑΚΡΥΝΟΝΤΑΣ ΟΠΟΙΟΔΗΠΟΤΕ ΞΕΝΟ ΣΩΜΑ ΥΠΑΡΧΕΙ.
7. ΣΕ ΠΕΡΙΠΤΩΣΗ ΒΡΟΧΗΣ, ΝΑ ΕΛΕΓΞΕΤΕ ΠΡΟΣΕΚΤΙΚΑ ΟΤΙ Η ΣΤΑΘΜΗ ΤΟΥ ΝΕΡΟΥ ΔΕΝ ΕΙΝΑΙ ΥΨΗΛΟΤΕΡΗ ΑΠΟ ΤΗΝ ΑΝΑΜΕΝΟΜΕΝΗ. ΕΑΝ ΕΙΝΑΙ, ΤΟΤΕ ΠΡΕΠΕΙ ΝΑ ΑΔΕΙΑΣΕΤΕ ΤΟ ΠΛΕΟΝΑΖΩΝ ΝΕΡΟ.
8. ΕΑΝ ΒΡΕΧΕΙ, ΕΛΕΓΞΕΤΕ ΟΤΙ Η ΣΤΑΘΜΗ ΤΟΥ ΝΕΡΟΥ ΔΕΝ ΕΙΝΑΙ ΥΨΗΛΟΤΕΡΗ ΑΠΟ ΤΟ ΚΑΘΟΡΙΣΜΕΝΟ ΕΠΙΠΕΔΟ. ΕΑΝ ΤΟ ΝΕΡΟ ΥΠΕΡΒΕΙ ΤΟ ΚΑΘΟΡΙΣΜΕΝΟ ΕΠΙΠΕΔΟ, ΑΠΟΣΤΡΑΓΓΙΣΤΕ ΤΟ ΠΛΕΟΝΑΖΩΝ ΩΣΤΕ Η ΠΙΣΙΝΑ ΝΑ ΕΧΕΙ ΝΕΡΟ ΜΕΧΡΙ ΤΟ ΚΑΘΟΡΙΣΜΕΝΟ ΕΠΙΠΕΔΟ.

Η ΣΩΣΤΗ ΣΥΝΤΗΡΗΣΗ ΜΠΟΡΕΙ ΝΑ ΜΕΓΙΣΤΟΠΟΙΗΣΕΙ ΤΗ ΔΙΑΡΚΕΙΑ ΖΩΗΣ ΤΗΣ ΠΙΣΙΝΑΣ ΣΑΣ.

ΚΑΤΑ ΤΗ ΔΙΑΡΚΕΙΑ ΤΗΣ ΧΡΗΣΗΣ ΤΗΣ ΠΙΣΙΝΑΣ, ΤΟ ΣΥΣΤΗΜΑ ΦΙΛΤΡΑΡΙΣΜΑΤΟΣ ΠΡΕΠΕΙ ΝΑ ΤΙΘΕΤΑΙ ΥΠΟΧΡΕΩΤΙΚΑ ΣΕ ΛΕΙΤΟΥΡΓΙΑ ΚΑΘΕ ΗΜΕΡΑ, ΑΡΚΕΤΟΣ ΧΡΟΝΟΣ ΩΣΤΕ ΝΑ ΕΞΑΣΦΑΛΙΣΤΕΙ ΤΟΥΛΑΧΙΣΤΟΝ ΜΙΑ ΠΛΗΡΗΣ ΑΝΑΝΕΩΣΗ ΤΟΥ ΟΓΚΟΥ ΤΟΥ ΝΕΡΟΥ.

ΣΗΜΕΙΩΣΗ: Η ΑΝΤΛΙΑ ΧΡΗΣΙΜΟΠΟΙΕΙΤΑΙ ΓΙΑ ΝΑ ΚΥΚΛΟΦΟΡΕΙ ΤΟ ΝΕΡΟ ΚΑΙ ΓΙΑ ΝΑ ΦΙΛΤΡΑΡΕΙ ΤΑ ΜΙΚΡΑ ΣΩΜΑΤΙΔΙΑ. ΓΙΑ ΝΑ ΔΙΑΤΗΡΗΣΕΤΕ ΤΟ ΝΕΡΟ ΤΗΣ ΠΙΣΙΝΑΣ ΚΑΘΑΡΟ ΚΑΙ ΥΓΙΕΙΝΟ, ΠΡΕΠΕΙ ΝΑ ΠΡΟΣΘΕΣΕΤΕ ΧΗΜΙΚΑ.

ΕΠΙΣΚΕΥΗ

ΣΕ ΠΕΡΙΠΤΩΣΗ ΔΙΑΡΡΟΗΣ, ΕΠΙΔΙΟΡΘΩΣΤΕ ΤΗΝ ΠΙΣΙΝΑ ΧΡΗΣΙΜΟΠΟΙΩΝΤΑΣ ΤΟ ΥΠΟΒΡΥΧΙΟ ΑΥΤΟΚΟΛΛΗΤΟ ΕΠΙΡΑΜΜΑ ΕΠΙΣΚΕΥΗΣ ΠΟΥ ΠΑΡΕΧΕΤΑΙ. ΜΠΟΡΕΙΤΕ ΝΑ ΒΡΕΙΤΕ ΤΙΣ ΟΔΗΓΙΕΣ ΣΤΟ ΠΕΔΙΟ «ΣΥΧΝΕΣ ΕΡΩΤΗΣΕΙΣ» ΣΤΗΝ ΕΝΟΤΗΤΑ ΥΠΟΣΤΗΡΙΞΗΣ ΤΗΣ ΙΣΤΟΣΕΛΙΔΑΣ ΜΑΣ, www.bestwaycorp.com.

ΑΠΟΣΥΝΑΡΜΟΛΟΓΗΣΗ

1. ΞΕΒΙΔΩΣΤΕ ΤΟ ΠΩΜΑ ΒΑΛΒΙΔΑΣ ΠΑΡΟΧΕΤΕΥΣΗΣ ΣΤΟ ΕΞΩΤΕΡΙΚΟ ΤΗΣ ΠΙΣΙΝΑΣ ΜΕ ΦΟΡΑ ΑΝΤΙΘΕΤΗ ΑΥΤΗΣ ΤΩΝ ΔΕΙΚΤΩΝ ΤΟΥ ΡΟΛΟΓΙΟΥ ΚΑΙ ΑΦΑΙΡΕΣΤΕ.
2. ΣΥΝΔΕΣΤΕ ΤΟΝ ΠΡΟΣΑΡΜΟΓΕΑ ΣΤΟ ΣΩΛΗΝΑ ΚΑΙ ΒΑΛΤΕ ΤΟ ΑΛΛΟ ΑΚΡΟ ΤΟΥ ΣΩΛΗΝΑ ΣΤΗΝ ΠΕΡΙΟΧΗ ΟΠΟΥ ΠΡΟΚΕΙΤΑΙ ΝΑ ΠΑΡΟΧΕΤΕΥΣΕΤΕ ΤΗΝ ΠΙΣΙΝΑΣ ΣΑΣ. (ΕΛΕΓΞΕΤΕ ΤΟΥΣ ΤΟΠΙΚΟΥΣ ΚΑΝΟΝΙΣΜΟΥΣ ΓΙΑ ΝΟΜΟΘΕΣΙΑ ΠΑΡΟΧΕΤΕΥΣΗΣ).
3. ΒΙΔΩΣΤΕ ΔΕΞΙΟΣΤΡΟΦΑ ΤΟ ΔΑΚΤΥΛΙΟ ΕΛΕΓΧΟΥ ΤΟΥ ΠΡΟΣΑΡΜΟΓΕΑ ΓΙΑ ΕΥΚΑΜΠΤΟΥΣ ΣΩΛΗΝΕΣ ΠΛΑΝΩ ΣΤΗ ΒΑΛΒΙΔΑ ΑΠΟΣΤΡΑΓΓΙΣΗΣ. Η ΒΑΛΒΙΔΑ ΑΠΟΣΤΡΑΓΓΙΣΗΣ ΘΑ ΑΝΟΙΞΕΙ ΚΑΙ ΤΟ ΝΕΡΟ ΘΑ ΑΡΧΙΣΕΙ ΝΑ ΑΠΟΣΤΡΑΓΓΙΖΕΤΑΙ ΑΥΤΟΜΑΤΑ.
ΠΡΟΣΟΧΗ: Η ΡΟΗ ΝΕΡΟΥ ΜΠΟΡΕΙ ΝΑ ΕΛΕΓΧΘΕΙ ΜΕ ΤΟΝ ΔΑΚΤΥΛΙΟ ΕΛΕΓΧΟΥ.
4. ΟΤΑΝ ΤΕΛΕΙΩΣΕΙ Η ΕΚΚΕΝΩΣΗ, ΞΕΒΙΔΩΣΤΕ ΤΟΝ ΔΑΚΤΥΛΙΟ ΕΛΕΓΧΟΥ ΓΙΑ ΝΑ ΚΛΕΙΣΕΤΕ ΤΗΝ ΒΑΛΒΙΔΑ.
5. ΑΠΟΣΥΝΔΕΣΤΕ ΤΟ ΣΩΛΗΝΑ.
6. ΒΙΔΩΣΤΕ ΠΛΑΙΙ ΤΟ ΠΩΜΑ ΣΤΗΝ ΒΑΛΒΙΔΑ ΑΠΟΣΤΡΑΓΓΙΣΗΣ.
7. ΣΤΕΓΝΩΣΤΕ ΤΗΝ ΠΙΣΙΝΑ ΜΕ ΑΕΡΑ.
ΠΡΟΣΟΧΗ: ΜΗΝ ΑΦΗΝΕΤΕ ΤΗΝ ΑΔΕΙΑΣΜΕΝΗ ΠΙΣΙΝΑ ΕΞΩ.

ΦΥΛΑΞΗ

1. ΠΑΡΑΚΑΛΟΥΜΕ ΑΦΑΙΡΕΣΤΕ ΟΛΑ ΤΑ ΕΞΑΡΤΗΜΑΤΑ ΚΑΙ ΑΝΤΑΛΛΑΚΤΙΚΑ ΑΠΟ ΤΗΝ ΠΙΣΙΝΑ ΚΑΙ ΑΠΟΘΗΚΕΥΣΤΕ ΤΑ ΚΑΘΑΡΑ ΚΑΙ ΣΤΕΓΝΑ.
2. ΜΟΛΙΣ Η ΠΙΣΙΝΑ ΣΤΕΓΝΩΣΕΙ ΕΝΤΕΛΩΣ, ΠΑΣΠΑΛΙΣΤΕ ΤΗΝ ΜΕ ΤΑΛΚ ΓΙΑ ΝΑ ΕΜΠΟΔΙΣΕΤΕ ΤΗΝ ΠΙΣΙΝΑ ΝΑ ΚΟΛΛΗΣΕΙ, ΔΙΠΛΩΣΤΕ ΠΡΟΣΕΚΤΙΚΑ ΤΗΝ ΠΙΣΙΝΑ. ΕΑΝ Η ΠΙΣΙΝΑ ΔΕΝ ΕΙΝΑΙ ΕΝΤΕΛΩΣ ΣΤΕΓΝΗ, ΜΠΟΡΕΙ ΝΑ ΕΜΦΑΝΙΣΤΕΙ ΜΟΥΧΛΑ Η ΟΠΟΙΑ ΘΑ ΚΑΤΑΣΤΡΕΨΕΙ ΤΗΝ ΕΠΕΝΔΥΣΗ ΤΗΣ ΠΙΣΙΝΑΣ.
3. ΑΠΟΘΗΚΕΥΣΤΕ ΤΗΝ ΕΠΕΝΔΥΣΗ ΚΑΙ ΤΑ ΑΞΕΣΟΥΑΡ ΣΕ ΣΤΕΓΝΟ ΧΩΡΟ ΜΕ ΜΙΑ ΜΕΤΡΙΑ ΘΕΡΜΟΚΡΑΣΙΑ ΜΕΤΑΞΥ 5°C ΚΑΙ 38°C.
4. ΚΑΤΑ ΤΗ ΒΡΟΧΕΡΗ ΠΕΡΙΟΔΟ, Η ΠΙΣΙΝΑ ΚΑΙ ΤΑ ΕΞΑΡΤΗΜΑΤΑ ΘΑ ΠΡΕΠΕΙ ΕΠΙΣΗΣ ΝΑ ΑΠΟΘΗΚΕΥΟΝΤΑΙ ΣΥΜΦΩΝΑ ΜΕ ΤΙΣ ΠΑΡΑΠΑΝΩ ΟΔΗΓΙΕΣ.
5. Η ΛΑΝΘΑΣΜΕΝΗ ΑΠΟΣΤΡΑΓΓΙΣΗ ΤΗΣ ΠΙΣΙΝΑΣ ΜΠΟΡΕΙ ΝΑ ΠΡΟΚΑΛΕΣΕΙ ΣΟΒΑΡΟ ΠΡΟΣΩΠΙΚΟ ΤΡΑΥΜΑΤΙΣΜΟ ΚΑΙ/Η ΖΗΜΙΑ ΣΕ ΠΡΟΣΩΠΙΚΗ ΠΕΡΙΟΥΣΙΑ.
6. ΣΑΣ ΣΥΝΙΣΤΟΥΜΕ Η ΠΙΣΙΝΑ ΝΑ ΑΠΟΣΥΝΑΡΜΟΛΟΓΕΙΤΑΙ ΚΑΤΑ ΤΗ ΔΙΑΡΚΕΙΑ ΤΗΣ ΕΚΤΟΣ ΧΡΗΣΗΣ ΠΕΡΙΟΔΟΥ (ΧΕΙΜΕΡΙΝΟ ΜΗΝΕΣ). ΑΠΟΘΗΚΕΥΣΤΕ ΣΕ ΞΗΡΟ ΧΩΡΟ ΜΑΚΡΙΑ ΑΠΟ ΠΑΙΔΙΑ.

ОВАЛЬНЫЕ БАСЕЙНЫ POWER STEEL™ РУКОВОДСТВО ДЛЯ ВЛАДЕЛЬЦА

Посетите канал Bestway на YouTube 

⚠ ВНИМАНИЕ

Внимательно прочитайте информацию в руководстве пользователя, убедитесь в том, что вам все понятно, и следуйте указаниям при установке и использовании бассейна. Эти предостережения, инструкции, меры предосторожности предупреждают о некоторых распространенных рисках отдыха и игр в воде, но не покрывают всех рисков и все возможные опасности. Будьте осторожны, рассудительны и разумны при отдыхе и играх в воде. Сохраните эту брошюру для дальнейшего использования в справочных целях.

Безопасность пользователей, не умеющих плавать

- Компетентный взрослый должен постоянно внимательно и активно присматривать за детьми, которые не умеют плавать или плавают не очень хорошо (помните, что наибольшему риску утонуть подвержены дети до пяти лет).
- Каждый раз при использовании бассейна поручайте наблюдение за детьми компетентному взрослому.
- Дети, которые не умеют плавать или плавают не очень хорошо, должны использовать специальное защитное снаряжение при использовании бассейна.
- Когда бассейн не используется, или когда за ним никто не присматривает, уберите все игрушки из бассейна и прилегающей зоны, чтобы дети не могли заинтересоваться ими и приблизиться к бассейну.

Устройства, обеспечивающие безопасность

- Чтобы предотвратить риск утопления детей, рекомендуется закрыть доступ в бассейн защитным ограждением. Чтобы помешать детям карабкаться на впускной и выпускной клапаны, рекомендуется установить ограждение (и блокировать все окна и двери, если они имеются), чтобы предотвратить доступ в бассейн без разрешения.
- Ограждения, покрытия бассейна, сигнализация в бассейне и прочие защитные устройства полезны, но они не могут заменить постоянное и компетентное наблюдение, осуществляемое взрослыми.

Оборудование, обеспечивающее безопасность

- Рекомендуется хранить спасательное оборудование (напр., спасательный круг) в непосредственной близости от бассейна.
- Держите работающий телефон и список номеров телефонов экстренной связи в непосредственной близости от бассейна.

Безопасное использование бассейна

- Посоветуйте всем пользователям, особенно детям, научиться плавать
- Изучите базовые техники экстренной первой помощи (сердечно-легочная реанимация - СЛР) и регулярно освежайте ваши знания. Если произойдет несчастный случай, вы сможете спасти жизнь человека.
- Объясните все пользователям бассейна, особенно детям, что делать в случае чрезвычайного происшествия.
- Никогда не ныряйте на мелководье. Это может привести к серьезным травмам или смерти.
- Не используйте бассейн, если вы выпили алкогольный напиток или приняли лекарство, которое может негативно повлиять на вашу способность безопасно пользоваться бассейном.
- Если вы используете покрытие бассейна, полностью уберите его с поверхности воды перед тем, как использовать бассейн.
- Защищайте пользователей бассейна от болезней, которые могут передаваться через воду, регулярно очищая воду и следуя правилам гигиены. Следуйте инструкциям по очистке воды, содержащимся в этом руководстве пользователя.
- Храните химикаты (напр., для очистки воды, чистящие и дезинфицирующие средства) в недоступном для детей месте.
- Используйте указанные ниже предупредительные знаки. Знаки должны быть установлены на видном месте на расстоянии 2 м от бассейна.



В воде дети должны находиться под присмотром взрослых. Нырять запрещается

- Съемные лестницы должны быть установлены на ровной поверхности.
- Независимо от материалов, из которых изготовлен бассейн, регулярно проверяйте доступные поверхности, чтобы избежать риска травм.
- Регулярно проверяйте болты и винты; удаляйте обломки и острые углы,

чтобы избежать риска травм.

ВНИМАНИЕ: Не оставляйте бассейн со слитой водой на улице. Пустой бассейн может деформироваться и/или опрокинуться от ветра.

- Если в комплект поставки входит фильтрующий насос, см. инструкции в руководстве пользователя насоса.
- ВНИМАНИЕ!** Запрещается пользоваться насосом, когда люди находятся в бассейне!
- Если в комплект поставки входит лестница, см. инструкции в руководстве пользователя лестницы.

ВНИМАНИЕ! При использовании плавательным бассейном необходимо соблюдать инструкции по технике безопасности, содержащиеся в руководстве по эксплуатации и обслуживанию. Чтобы избежать опасности утопления или других серьезных травм, внимательно следите за тем, чтобы дети до 5 лет не попали в бассейн без разрешения. Оборудуйте доступ к бассейну защитными устройствами и постоянно держите детей под наблюдением взрослых во время использования бассейна.

Внимательно изучите инструкции и сохраните их для дальнейшего использования в справочных целях.

ВЫБЕРИТЕ ПРАВИЛЬНОЕ МЕСТО УСТАНОВКИ

Выбранная для установки бассейна поверхность должна отвечать следующим требованиям:

1. Из-за значительного суммарного веса воды в бассейне и пользователя в нем чрезвычайно важно, чтобы участок для установки бассейна был способен равномерно выдерживать общий вес установленного бассейна. При выборе участка принимайте во внимание, что вода может выливаться из бассейна во время его использования или дождя. Если вода приведет к размягчению поверхности участка, это может повлечь утрату участка способностью выдерживать вес бассейна.
2. Регулярно проверяйте положение вертикальных ножек и U-образных опор. Они всегда должны находиться на одном уровне с дном бассейна. Если вертикальная ножка или U-образная опора начинают углубляться в землю, немедленно слейте воду из бассейна во избежание разрушения бассейна вследствие неравномерной нагрузки на рамную конструкцию. Помните место расположения бассейна или замените материал покрытия участка более прочным.
3. Рекомендуем устанавливать бассейн вдалеке от предметов, которые дети могут использовать для того, чтобы забраться в него.
4. Устанавливайте бассейн рядом с подходящей системой слива, чтобы, при необходимости, устранить переливание или опорожнить бассейн.
5. Поверхность должна быть плоской и гладкой. Если участок имеет уклон или неровный, это может привести к несбалансированной нагрузке на конструкцию бассейна. Такая ситуация может повлечь разрушение сварного шва лайнера и гнбание рамы. В худшем случае, бассейн может разрушиться, причинив серьезные травмы людям и (или) повреждение имущества.
6. Выбранный участок должен быть свободен от каких бы то ни было предметов. Из-за веса воды любой предмет, оказавшийся под бассейном, может повредить или проткнуть дно бассейна.
7. Выбранный участок должен быть свободен от агрессивных видов растений или сорняков. Эти растения, отличающиеся сильной вегетацией, могут прорости через лайнер и привести к утечке воды. С участка необходимо удалить всю траву и другую растительность, которые после увядания могут привести к возникновению неприятных запахов и слизи.
8. Над участком не должны проходить линии электропередачи и нависать ветки деревьев. Убедитесь в том, что на выбранном участке нет подземных коммуникаций, линий и кабелей.
9. Выбранное месторасположение должно находиться далеко от входа в дом. Не располагайте какое-либо оборудование или мебель вокруг бассейна. Выливающаяся из бассейна вода во время его использования либо из-за его дефекта или повреждения может повредить мебель внутри дома или вокруг бассейна.
10. Выбранный участок должен быть плоским и не иметь нор и ямок, поскольку они могут повредить материал лайнера.

Следуйте важным приведенным выше инструкциям для выбора

правильного расположения и участка для установки бассейна. Повреждения деталей бассейна вследствие его расположения и установки на участке, не отвечающем данным инструкциям, не будут считаться производственным дефектом и не будут покрываться гарантией, по ним не будут приниматься никакие претензии по проведению ремонта или обслуживания.

Рекомендуемые поверхности для установки: трава, земля, бетон и другие поверхности, отвечающие вышеприведенным условиям для установки.

Не рекомендуемые поверхности для установки: грязь, песок, гравий, крыша, балкон, подъездная дорожка, помост, мягкий/рыхлый грунт и другие поверхности, не отвечающие вышеприведенным условиям для установки.

ПРИМЕЧАНИЕ. Обратитесь в городской совет за информацией о постановлениях, касающихся ограживания, барьеров, освещения, и нормах техники безопасности и неукоснительно их соблюдайте.

ПРИМЕЧАНИЕ. Если у вас фильтрующий насос, см. инструкции в руководстве пользователя насоса.

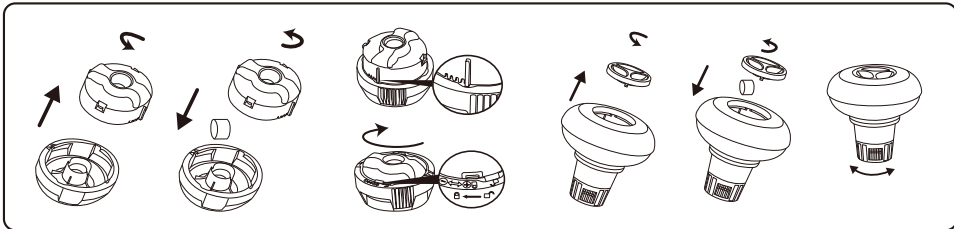
ПРИМЕЧАНИЕ. Лестница должна соответствовать размеру бассейна; пользоваться ею только для того, чтобы войти и выйти из бассейна. Запрещено превышать полезную нагрузку лестницы. Регулярно проверяйте, правильно ли собрана лестница.

ОБСЛУЖИВАНИЕ БАССЕЙНА

В случае невыполнения указанных рекомендаций по обслуживанию бассейна вы можете подвергнуть опасности свое здоровье, особенно здоровье своих детей.

Использование таблеток химических средств (в комплект не входят):

ПРИМЕЧАНИЕ. Дозатор Chemsploest или поплавок для химических средств (Chemical Floater) следует использовать, если вы осуществляете обработку воды химическими веществами с помощью таблеток. В комплект приобретенного вами изделия может не входить ни один из этих дозаторов. В этом случае вы можете приобрести их, посетив наш веб-сайт www.bestwaycorp.com, или у ближайшего дилера по продаже бассейнов.



ВАЖНО! Не используйте гранулированные таблетки и не бросайте таблетки непосредственно в воду. Химикаты могут отложиться на дне, повредить материал и обесцветить ПВХ.

Использование растворов химических средств (в комплект не входят):

ВАЖНО! Добавляйте химический раствор небольшими дозами и в центре бассейна, во избежание непосредственного контакта между химикатами и поверхностью ПВХ. При непосредственном соприкосновении химикаты могут повредить материал и обесцветить поверхность.

ПРИМЕЧАНИЕ. На время пользования бассейном удаляйте из него дозатор химических средств.

ВАЖНО! После того как вы очистили воду с помощью химических средств, а также перед использованием бассейна, воспользуйтесь тестовым набором (не входит в комплект поставки), чтобы проверить химический состав воды. Мы рекомендуем поддерживать воду в рамках значений, указанных в следующей таблице.

Параметры	Значения
Прозрачность воды	Ясно видно дно бассейна
Цвет воды	Вода должна быть бесцветной
Мутность в FNU/NTU	макс. 1,5 (желательно менее 0,5)
Концентрация нитратов больше, чем в воде наполнения, в мг/л	макс. 20
Общее количество органического углерода (ООУ) в мг/л	макс. 4,0
Редокс-потенциал против Ag/AgCl 3,5 м KCl в мВ	мин. 650
значение pH	от 6,8 до 7,6
Свободный активный хлор (без циануровой кислоты) в мг/л	от 0,3 до 1,5
Свободный хлор, используемый в сочетании с циануровой кислотой в мг/л	от 1,0 до 3,0
Циануровая кислота в мг/л	макс. 100
Смешанный хлор в мг/л	макс. 0,5 (желательно ближе к 0,0 мг/л)

ПРИМЕЧАНИЕ. Гарантия не распространяется на ущерб, причиненный в результате химического дисбаланса. Химические средства для очистки воды в бассейне потенциально токсичны; следует обращаться с ними осторожно. Серьезную опасность для здоровья могут представлять собой испарения химических веществ, а также неправильно подписанные или неправильно хранящиеся контейнеры с химическими веществами. Обратитесь к своему местному продавцу бассейнов, чтобы получить более подробную информацию об обработке воды химическими средствами. Строго соблюдайте инструкции производителей химических средств. Повреждение бассейна, причиненное в результате неправильного применения химических средств и неправильным уходом за водой бассейна, не покрывается гарантией.

ВАЖНО! Чрезмерное применение химикатов может обесцветить рисунки и материал бассейна. Это может также повредить структуру чаши бассейна.

Чтобы содержать свой бассейн в чистоте:

1. Обратитесь в свой местный магазин по продаже бассейнов и приобретите химикаты и наборы pH. Постоянное поддержание воды в чистом и безопасном для здоровья состоянии является одним из важнейших факторов длительного срока службы чаши бассейна. Строго соблюдайте инструкции профессиональных специалистов по обработке воды с помощью химических средств.
2. Установите емкость с водой рядом с бассейном, чтобы пользователи могли промыть ноги перед входом в бассейн.
3. Накрывайте бассейн, когда он не используется.
4. Регулярно очищайте поверхность воды бассейна, не допуская осаждения загрязнений.
5. Регулярно проверяйте и промывайте картридж фильтра.
6. Чистой тканью аккуратно очищайте пену и грязь с нижней стороны верхнего кольца.
7. В случае дождя внимательно следите за тем, чтобы не был превышен заданный уровень воды. В противном случае **СЛЕДУЕТ СЛИТЬ ЛИШНЮЮ ВОДУ**.
8. Если идет дождь, следите, чтобы уровень воды в бассейне не превышал заданного значения. В случае превышения заданного уровня, слейте воду из бассейна до указанного уровня.

Надлежащий уход за бассейном может продлить срок его службы.

В сезон пользования плавательным бассейном фильтрационную систему необходимо включать каждый день на время, достаточное для того, чтобы обеспечить полное обновление объема воды.

ПРИМЕЧАНИЕ. Насос используется для циркуляции воды и фильтрации мелких частиц. Для поддержания чистоты и гигиены воды в бассейне также следует использовать химикаты.

РЕМОНТ

В случае протечки заклейте бассейн клейкой заплатой специально для ремонта поверхности, находящейся под водой (входит в комплект поставки). Инструкции можно найти в часто задаваемых вопросах раздела поддержки на нашем веб-сайте www.bestwaycorp.com.

РАЗБОРКА

1. Отвинтите и снимите крышку сливного клапана с внешней стороны бассейна против часовой стрелки.
2. Подсоедините переходник к шлангу, другой конец шланга протяните туда, куда вы собираетесь сливать воду из бассейн. (Проверьте, какие местные правила по сливу воды могут действовать в вашей местности).
3. Навинтите управляющее кольцо переходника шланга на сливной клапан по часовой стрелке. Сливной клапан откроется, и слив воды начнется автоматически.

ВНИМАНИЕ: Поток воды регулируется управляющим кольцом.

4. Когда вся вода уйдет, свинтите управляющее кольцо, чтобы закрыть клапан.
5. Отсоедините шланг.
6. Навинтите обратно крышку на сливной клапан.
7. Просушите бассейн на воздухе.

ВНИМАНИЕ: Не оставляйте пустой бассейн на открытом воздухе.

ХРАНЕНИЕ

1. Уберите все аксессуары и запасные части бассейна и сложите их на хранение в чистом и сухом месте.
2. После полного просушивания бассейна посыпьте поверхности тальком, чтобы они не слипались, и аккуратно расправьте бассейн. Если не просушить бассейн полностью, может образоваться плесень и повредить ткань бассейна.
3. Храните чашу бассейна и его аксессуары в сухом месте при умеренной температуре от 5°C / 41°F до 38°C / 100°F.
4. В дождливое время года бассейн и принадлежности следует хранить, как указано выше.
5. Неправильный слив воды из бассейна может привести к серьезным травмам людей и/или повреждения имущества.
6. Вне сезона (в зимние месяцы) настоятельно рекомендуется разбирать бассейн. Храните в сухом месте, недоступном для детей.

BASEN OWALNE POWER STEEL™ INSTRUKCJA OBSŁUGI

Odwiedź stronę Bestway na YouTube 



⚠️ OSTRZEŻENIE

Przed montażem i użyciem basenu przeczytaj dokładnie i ze zrozumieniem wszystkie informacje zawarte w instrukcji obsługi i postępuj zgodnie z nimi. Ostrzeżenia, instrukcje i wskazówki dotyczące bezpieczeństwa obejmują niektóre z zagrożień powszechnych dla rekreacji wodnej, nie obejmują w żadnym razie wszystkich możliwych zagrożeń. Przy każdej zabawie w wodzie należy kierować się zdrowym rozsądkiem i oceną sytuacji. Zachowaj tą informację do późniejszego uglądu.

Bezpieczeństwo osób nie umiejących pływać

- Wymagany jest zawsze ciągły, aktywny i czujny nadzór kompetentnej osoby dorosłej jeśli w basenie znajdują się słabo pływające lub nieumiejące pływać (pamiętaj, że dzieci poniżej 5 roku życia są zagrożone w najwyższym stopniu utonięciem).
- Przed każdym użyciem basenu wyznacz kompetentną osobę dorosłą w celu jego nadzoru.
- Osoby słabo pływające lub nieumiejące pływać, podczas korzystania z basenu powinny zakładać środki ochrony indywidualnej.
- Kiedy basen nie jest używany lub pozostaje bez nadzoru, należy usunąć z niego i jego otoczenia wszystkie zabawki, aby w ten sposób nie przyciągać uwagi dzieci.

Środki ochrony osobistej

- Aby zapobiec utonięciu, zaleca się zabezpieczenie dostępu dzieci do basenu przy pomocy odpowiednich urządzeń ochronnych. Aby zapobiec wspinaniu się przez dzieci na zawór wlotowy i wylotowy, zalecane jest zamontowanie bariery (i zabezpieczenia w razie potrzeby wszystkich drzwi i okien) zapobiegającej nieupoważnionemu dostępowi do basenu.
- Bariery, pokrywki na basen lub podobne zabezpieczenia stanowią użyteczną pomoc, ale nie zastępują stałego i kompetentnego nadzoru przez dorosłych.

Sprzęt ratunkowy

- Zaleca się posiadanie sprzętu ratunkowego (np. koła ratunkowego) w pobliżu basenu.
- W pobliżu basenu należy mieć działający telefon oraz listę numerów telefonów ratunkowych.

Bezpieczne korzystanie z basenu

- Zachęcaj wszystkich użytkowników, a szczególnie dzieci do nauki pływania.
- Naucz się podstawowych technik ratowania życia (resuscytacji krążeniowo-oddechowej – CPR) i regularnie odświeżaj tę wiedzę. Może ona pomóc w uratowaniu życia w nagłym wypadku.
- Naucz wszystkich użytkowników basenu, w tym dzieci, co mają robić w razie niebezpieczeństwa.
- Nigdy nie wskakuj na główkę do płytkiej wody. Może to spowodować poważne obrażenia, a nawet śmierć.
- Nie korzystaj z basenu po spożyciu alkoholu lub leków, które mogą negatywnie wpływać na zdolność bezpiecznego korzystania z basenu.
- W przypadku używania pokryw na basen, przed wejściem do basenu zdejmij je całkowicie z powierzchni wody.
- Chroni użytkowników basenu przed chorobami związanymi z wodą uduchniętą wodę do basenu i zachowując zasady prawidłowej higieny. Zapoznaj się z wytycznymi dotyczącymi uzdatniania wody w instrukcji obsługi.
- Chemikalia (np. środki do uzdatniania wody, czyszczące i dezynfekcyjne) trzymaj poza zasięgiem dzieci.
- Stosuj oznakowanie opisane poniżej. Oznakowanie należy ustawić w widocznym miejscu w odległości nie większej niż 2 m od basenu.



Nadzoruj dzieci w środowisku wodnym. Nie nurkować.

- Zdejmowane drabinki należy ustawiać na powierzchni poziomej.
- Aby uniknąć obrażeń, powierzchnie dostępne należy regularnie sprawdzać, niezależnie od materiałów konstrukcyjnych basenu.

- Należy regularnie sprawdzać śruby i wkręty. Aby uniknąć obrażeń należy usuwać odpryski i wszelkie ostre krawędzie.

UWAGA: Po wypuszczeniu wody, nie pozostawiaj basenu na zewnątrz. Pusty basen może zostać odkształcony i/lub przemieszczony przez wiatr.

- W przypadku montażu pompy filtrującej, dla uzyskania wskazań należy zapoznać się z jej instrukcją obsługi.

OSTRZEŻENIE! Pompy nie wolno używać, kiedy w basenie przebywają ludzie.

- W przypadku stosowania drabinki, dla uzyskania wskazań należy zapoznać się z jej instrukcją obsługi.

OSTRZEŻENIE! Używanie basenu jest równoznaczne z akceptacją i przestrzeganiem zasad bezpieczeństwa zamieszczonych w instrukcji obsługi i konserwacji. Aby uniknąć utonięć lub innych poważnych obrażeń, należy zwracać szczególną uwagę na możliwość niespodzianego wejścia do basenu przez dzieci w wieku poniżej 5 lat. Należy w tym celu zabezpieczyć wejście do basenu, a kąpiące się dzieci muszą być pod stałym nadzorem osoby dorosłej.

Prosimy o dokładne przeczytanie i zachowanie tego dokumentu do późniejszego uglądu.

WYBIERZ WŁAŚCIWĄ LOKALIZACJĘ

Powierzchnia wybrana do zainstalowania basenu musi spełniać następujące parametry techniczne:

1. Ze względu na łączny ciężar wody znajdującej się w basenie i użytkowników basenu niezwykle ważne jest, aby powierzchnia wybrana do zainstalowania basenu była w stanie równomiernie utrzymać całkowity ciężar przez cały czas instalacji basenu. Przy wyborze nawierzchni należy wziąć pod uwagę, że woda może wypływać z basenu podczas użytkowania lub podczas deszczu. Jeśli woda zmniejszy powierzchnię, może stracić zdolność utrzymania ciężaru basenu.
2. Regularnie sprawdzaj położenie pionowych nóg i wsporników w kształcie litery U. Muszą znajdować się na tym samym poziomie, co dno basenu przez cały czas. Jeśli pionowa noga lub wspornik w kształcie litery U zaczął zapadać się w ziemię, należy natychmiast spuścić wodę, aby uniknąć uszkodzenia się basenu z powodu nierównomiernego obciążenia konstrukcji stelaża. Zmieni położenie basenu lub zmodyfikuj materiał powierzchni.
3. Zalecamy umieszczenie basenu z dala od wszelkich przedmiotów, za pomocą których dzieci mogłyby się do niego wspiąć.
4. Ustaw basen w pobliżu odpowiedniego systemu odwadniającego, aby poradzić sobie z przelaniem lub opróżnieniem basenu.
5. Powierzchnia musi być płaska i gładka. Jeśli powierzchnia jest nachylona lub nierówna, może to spowodować nierównomierne obciążenie konstrukcji basenu. Taka sytuacja może uszkodzić punkt zgrzewu poszycia i wygiąć ramię. W najgorszych przypadkach basen może się zaważyć, powodując poważne obrażenia ciała i/lub uszkodzenie mienia osobistego.
6. Wybrana powierzchnia musi być wolna od jakichkolwiek obiektów. Ze względu na ciężar wody każdy przedmiot znajdujący się pod basenem może uszkodzić lub przebić dno basenu.
7. Wybrana powierzchnia musi być wolna od agresywnych gatunków roślin i chwastów. Te rodzaje silnej roślinności mogą rosnąć przez poszycie i powodować wycieki wody. Trawa lub inna roślinność, która może powodować powstawanie przykrego zapachu lub szlamu, musi zostać usunięta z miejsca ustawienia.
8. Wybrana lokalizacja nie może mieć napowietrzonych linii energetycznych ani drzew. Upewnij się, że w miejscu nie ma żadnych podziemnych rur, przewodów ani kabli.
9. Wybrana pozycja musi znajdować się daleko od wejścia do domu. Nie ustawiaj żadnego sprzętu ani innych mebli wokół basenu. Woda wypływająca z basenu podczas użytkowania lub z powodu wadliwego produktu może uszkodzić meble wewnątrz domu lub wokół basenu.
10. Wybrana powierzchnia musi być płaska i bez otworów, które mogą uszkodzić materiał poszycia.

Postępuj zgodnie z ważnymi instrukcjami powyżej, aby wybrać odpowiednią powierzchnię i lokalizację do ustawienia basenu. Uszkodzone części basenu, ze względu na to, że powierzchnia ustawienia i lokalizacja nie są zgodne z instrukcją, nie będą traktowane jako wada fabryczna i pozwolą na unieważnienie gwarancji i wszelkich roszczeń serwisowych.

Sugerowane powierzchnie ustawienia: trawa, ziemia, beton i wszystkie inne powierzchnie, które spełniają powyższe warunki ustawienia.

Niezalecane nawierzchnie: błoto, piasek, żwir, piętro, balkon, podjazd, pomost, miękką / luźną ziemię lub inną powierzchnię niespełniającą powyższych warunków ustawienia.

UWAGA: Skontaktuj się z lokalną radą miejską, aby uzyskać informacje na temat przepisów dotyczących ogrodzeń, barier, oświetlenia i wymagań bezpieczeństwa oraz upewnij się, że przestrzegasz wszystkich przepisów.

UWAGA: Jeśli masz pompę filtrującą, zapoznaj się z instrukcją obsługi pompy w celu uzyskania informacji na temat jej użytkowania.

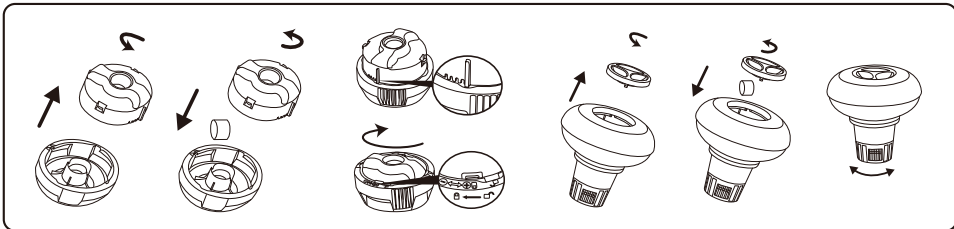
UWAGA: Drabina musi pasować do rozmiaru basenu i powinna być używana tylko do wchodzenia i wychodzenia z basenu. Zabrania się przekraczania dopuszczalnej nośności drabiny. Regularnie sprawdzaj, czy drabina jest prawidłowo zamontowana.

KONSERWACJA BASENU

Jeśli nie zastosujesz się do poniższych wskazówek dotyczących utrzymania, Twoje zdrowie może być zagrożone, zwłaszcza zdrowie Twoich dzieci.

Używanie tabletek chemicznych (brak w zestawie):

UWAGA: Podczas przeprowadzania konserwacji chemicznej za pomocą tabletek należy używać Chemconnect lub pływaka do chemii. Zakupiony przedmiot może nie zawierać żadnego z tych dozowników, w takim przypadku możesz go kupić, odwiedzając naszą stronę internetową www.bestwaycorp.com lub w najbliższym punkcie sprzedaży basenów.



WAŻNE: Nie używaj tabletek granulowanych ani nie wrzucaj tabletek bezpośrednio do wody. Chemikalia mogą osadzać się na dnie, uszkadzać materiał i odbarwiać PVC.

Używanie cieczy chemicznej (brak w zestawie):

WAŻNE: Dodaj płyn chemiczny w małych dawkach i na środek basenu, aby uniknąć bezpośredniego kontaktu chemikaliów z powierzchnią PVC. Bezpośredni kontakt może uszkodzić materiał i odbarwić powierzchnię.

UWAGA: Wyjmij dozownik chemikaliów z basenu, gdy basen jest używany.

WAŻNE: Po przeprowadzeniu konserwacji chemicznej i przed użyciem basenu użyj zestawu testowego (brak w zestawie), aby przetestować chemię wody. Zalecamy utrzymanie wody zgodnie z poniższą tabelą.

Parametry	Wartości
Klarowność wody	wyraźny widok dna basenu
Kolor wody	powinien być zaobserwowany brak koloru
Zmętnienie w FNU / NTU	max. 1,5 (najlepiej mniej niż 0,5)
Stężenie azotanu powyżej stężenia wody wypełniającej w mg / l	max. 20
Całkowity węgiel organiczny (TOC) w mg / l	max. 4,0
Potencjał redoks w stosunku do Ag / AgCl 3,5 m KCl w mVl	min. 650
Wartość pH	6,8 do 7,6
Wolny aktywny chlor (bez kwasu cyjanurowego) w mg / l	0,3 do 1,5
Wolny chlor stosowany w połączeniu z kwasem cyjanurowym w mg / l	1,0 do 3,0
Kwas cyjanurowy w mg / l	max. 100
Połączony chlor w mg / l	max. 0,5 (najlepiej blisko 0,0 mg / l)

UWAGA: Uszkodzenia wynikające z braku równowagi chemicznej nie są objęte gwarancją. Chemikalia basenowe są potencjalnie toksyczne i należy się z nimi obchodzić ostrożnie. Istnieją poważne zagrożenia dla zdrowia spowodowane oparami chemikaliów oraz niewłaściwym etykietowaniem i przechowywaniem pojemników z chemikaliami. Aby uzyskać więcej informacji na temat konserwacji chemicznej, skontaktuj się z lokalnym sprzedawcą detalicznym. Zwróć szczególną uwagę na instrukcje producenta chemikaliów. Uszkodzenia basenu wynikające z niewłaściwego użycia chemikaliów i niewłaściwego zarządzania wodą w basenie nie są objęte gwarancją.

WAŻNE: Nadmierne użycie chemikaliów może odbarwić nadruk i wszystkie punkty materiału basenu. Może również uszkodzić strukturę niecki basenowej.

Aby utrzymać basen w czystości:

- Skontaktuj się z lokalnym sklepem z zaopatrzeniem dla basenów, aby uzyskać porady i zakup chemikaliów oraz zestawów do pomiaru pH. Jednym z najważniejszych czynników zwiększających żywotność niecki jest ciągłe utrzymywanie czystej i zdrowej wody. Należy ściśle przestrzegać instrukcji profesjonalnych techników dotyczących uzdatniania wody za pomocą chemikaliów.
- Postaw miskę z wodą obok basenu, aby oczyścić stopy użytkowników przed wejściem do basenu.
- Zakryj basen, gdy nie jest używany.
- Regularnie przeglądaj basen, aby uniknąć osadzania się brudu.

5. Regularnie sprawdzaj i myj wkład filtra.
6. Delikatnie wyczyść brud spod górnego pierścienia czystą szmatką.
7. Należy zachować ostrożność w przypadku wody deszczowej, sprawdzić, czy poziom wody nie jest wyższy niż oczekiwany. Jeśli tak, **MUSISZ** opróżnić nadmiar wody
8. Jeśli pada deszcz, sprawdź, czy poziom wody nie jest wyższy niż określony poziom. Jeśli woda przekroczy określone poziomy, opróżnij basen do określonego poziomu.

Właściwa konserwacja może zmaksymalizować żywotność basenu.

W sezonie korzystania z basenu system filtracji musi być koniecznie uruchamiany codziennie, wystarczająco długo, aby zapewnić co najmniej całkowitą wymianę objętości wody.

UWAGA: Pompa służy do cyrkulacji wody i filtrowania małych cząstek. Aby utrzymać czystość i higienę wody w basenie, musisz również dodać chemikalia.

NAPRAWA

W przypadku wycieku załataj basen za pomocą dostarczonej podwodnej łąty naprawczej. Instrukcje można znaleźć w często zadawanych pytaniach w sekcji pomocy na naszej stronie internetowej www.bestwaycorp.com.

DEMONTAŻ

1. Odkręć kapturek zaworu odpływu po zewnętrznej stronie basenu kręcąc w kierunku przeciwnym do ruchów wskazówek zegara i zdejmij go.
 2. Połącz łącznik z węzem, a drugi koniec węża połóż tam, gdzie zamierzasz wodę spuścić z basenu. (Sprawdź przepisy lokalne dotyczące odprowadzania ścieków).
 3. Przekręć pierścień regulujący adaptera węża na zaworze spustowym w prawo. Zawór spustowy otworzy się, a woda zacznie automatycznie wypływać.
- OSTRZEŻENIE:** Spływ wody można regulować za pomocą pierścienia kontrolnego.
4. Po zakończeniu spuszczenia wody odkręć pierścień kontrolny, żeby zakręcić zawór.
 5. Odłącz węża.
 6. Nakręć z powrotem kapturek na zawór odpływu.
 7. Wyszusz basen na wolnym powietrzu.
- OSTRZEŻENIE:** Nie zostawiaj basenu po spuszczeniu wody na dworze.

PRZECHOWYWANIE

1. Odczep od basenu wszystkie akcesoria i części wymienne i przechowuj je czyste i suche.
2. Gdy basen jest już całkowicie suchy, posyp go talkiem, aby zapobiec jego sklejeniu się i ostrożnie zwini basen. Jeśli basen nie jest całkowicie suchy, może rozwinąć się pleśń, co uszkodzi wkładkę basenu.
3. Przechowuj wykładzinę i akcesoria w suchym miejscu o umiarkowanej temperaturze, pomiędzy 5°C / 41°F i 38°C / 100°F.
4. W okresach deszczowych basen i akcesoria powinny być przechowywane w wyżej opisany sposób.
5. Nieprawidłowe odprowadzanie wody z basenu może spowodować poważne obrażenia ciała i/lub uszkodzenia mienia osobistego.
6. Zalecamy demontaż basenu poza sezonem (podczas miesięcy zimowych). Przechowuj w chłodnym, suchym miejscu, poza zasięgiem dzieci.

**POWER STEEL™
OVÁLIS
MEDENCÉK
HASZNÁLATI
ÚTMUTATÓ**



Látogassa meg a Bestway YouTube-csatornáját **YouTube**

⚠ FIGYELMEZTÉS

Az úszómedence telepítése és használata előtt gondosan olvassa el ezt a kézikönyvet, és értsen meg, valamint tartsa be a benne foglaltakat. Ezek a figyelmeztetések, utasítások és biztonsági irányelvek segítenek elhárítani a vízi rekreációval kapcsolatos néhány általános kockázatot, de nem tudják lefedni az összes kockázatot és veszélyt. A vízi tevékenységek végzése során mindig legyen óvatos, megfontolt, és jól ítélőképességű. Tegye félre ezt a kézikönyvet, hogy a jövőben bármikor belenézhesen.

Az úszni nem tudók biztonsága

- A gyengén úszóknak és úszni nem tudóknak mindig hozzáértő felnőtt általi folyamatos, aktív és éber felügyeletet kell biztosítani (vegye figyelembe, hogy az öt év alatti gyermekeknél a legnagyobb a fulladásvészély).
- A medence minden egyes használatá alkalmával jelöljön ki hozzáértő felnőttet a medence felügyelőt.
- A gyengén úszóknak, illetve úszni nem tudóknak a medence használatokor egyéni védőfelszerelést kell viselniük.
- Ha az úszómedence nincs használatban, távolítson el belőle és a környezetéből minden ajtót, hogy azok a gyermekeket nehogya a medencébe csalogassák.

Biztonsági berendezések

- A gyermekek megfulladásának elkerülése érdekében ajánlatos a medencéhez való hozzáférést védőeszközökkel korlátozni. Annak érdekében, hogy a gyermekek ne ugrálhassanak a bemeneti és kimeneti szelepekről, tanácsos kerfészel (és adott esetben az ajtók és ablakok bezárásával) megakadályozni az illetéktelenek medencéhez való hozzáféréseit.
- A kerítésnek, medencefedelek, medenceriasztók, illetve hasonló biztonsági berendezések hasznos segítségéek, de nem helyettesítik a hozzáértő felnőtt általi folyamatos felügyeletet.

Biztonsági berendezések

- A medence mellett tanácsos mentőfelszerelést (pl. mentőöv) tartani.
- Tartson működőképes telefont és a segítségnyújtásom-listát a medence mellett.

A medence biztonságos használata

- Biztasson minden felhasználót – különösen a gyermekeket – hogy tanuljanak meg úszni.
- Tanulja meg az alapsztúni elsősegélynyújtást (újraélesztés – CPR), és rendszeresen frissítse ezen ismereteit. Ez vészhelyzetben életmenthet.
- Tájékozassa az összes medencehasználót, hogy mit kell csinálni vészhelyzet esetén.
- Soha ne ugorjon sekély vízbe. Ez súlyos sérüléshez vagy halálhoz vezethet.
- Ne használja az úszómedencét, ha alkohol vagy gyógyszer hatása alatt áll, amely hatás hátrányosan befolyásolhatja a medence biztonságos használatát.
- Medencefedél használatá esetén a medencébe való beszállás előtt teljesen távolítsa el azt a vízfelületről.
- A medencévíz kezelésével és jó higiéniai állapotának fenntartásával védje a medence használatát a vízen keresztül elkapható betegségekktől. Tekintse meg a használati útmutatóban a vízkezelési irányelveket.
- A vegyszerek (pl. vízkezelő szerek, tisztító vagy fertőtlenítő termékek) a gyermekek számára hozzáférhetetlen helyen tartandók!
- Használja az alább leírt jelzéseket. A jelzést feltűnő helyen kell elhelyezni, a medence 2 méteres környezetében.



- Ne hagyja a gyermekeket a vizes környezetben felügyelet nélkül. Merüljön föl!
- Az eltávolított létrákat vízszintesen felültre kell helyezni.
- Az úszómedencéhez használt anyagoktól függetlenül, a sérülések elkerülése érdekében a hozzáférhető felületeket rendszeresen ellenőrizni kell.
- A sérülések elkerülése érdekében rendszeresen ellenőrizze a

- csavarok állapotát, távolítsa el a sorjakát, illetve szüntesse meg az éles peremeket.
- FIGYELEM:** Ne hagyja a leürített medencét a szabadban. A medence üres állapotban könnyen deformálódhat, illetve a medencét könnyen arébb fújhatja a szél.
- Ha van szűrőszivattyúja, részletekért tekintse meg a szivattyú kézikönyvét.
- FIGYELMEZTETÉS!** A szivattyú nem használható, ha ember van a medencében!
- Ha van létrája, részletekért tekintse meg a létra kézikönyvét.
- FIGYELMEZTETÉS!** Az úszómedence használatá során tartsa be a használati és karbantartási útmutatójában foglalt biztonsági utasításokat, a fulladás, illetve egyéb súlyos sérülések megelőzése érdekében különösen figyeljen oda az úszómedence 5 éven aluli gyermekek általi nem várt hozzáféréseinek lehetőségére, és gondoskodjon arról, hogy a gyermekek ne férhessenek a medencéhez, valamint a fürdőzés ideje alatt folyamatosan felügyelje őket, vagy gondoskodjon felnőtt általi felügyeletükrol.

Alaposan olvassa el, és tegye félre, hogy a jövőben bármikor belenézhesen.

MEGFELELŐ HELY KIVÁLASZTÁSA

A medence felállításához választott helynek eleget kell tennie az alábbi műszaki jellemzőknek:

1. A medencében lévő víz és a felhasználók összátömege miatt különösen fontos, hogy a medence felállításához választott terület képes legyen megtámasztani egész felületén a medencét, elviselnie annak teljes tömegét. A terület kiválasztásakor vegye figyelembe, hogy használatá közben a medencéből víz távozhhat, illetve eső is eshet. Ha a víz megpuhítja a felületet, az elvesztheti a medencetömeget megtámasztásának a képességét.
2. Rendszeres időközönként ellenőrizze a függőleges lábák és az U tartók pozícióját. Ezeknek minden esetben a medence aljával azonos szinten kell lenniük. Ha a függőleges láb vagy az U tartó belesüllyed a talajba, azonnal engedje ki a medencéből a vizet, hogy elkerülje a medence összedőlését, amelyet a vészszekeret egyetlen terhelése eredményezhet. Helyezze át a medencét, vagy módosítsa az adott felület anyagát.
3. Javasoljuk, hogy a medencét minden olyan tárgytól távol helyezze el, amelyek a gyermekek a medencébe mászásra használhatják.
4. A medencét megfelelő vízelvezető rendszerhez közel helyezze el, amely képes a medence túlsóoldársáak vagy leeresztésekor jelentkező víz elvezetésére.
5. A felületnek egyenesnek és simának kell lennie. Egyetlen vagy lejtős felület esetén a medence szerkezete egyetlen terhelést kaphat. Ez károsíthatja a bevonat hegesztési pontjait, illetve elhajlíthatja a keretet. Legrosszabb esetben a medence összedőléséhez is vezethet, ami súlyos személyi sérülést és/vagy anyagi kárt eredményezhet.
6. A kiválasztott felületnek mentesnek kell lennie mindenféle tárgytól. A víz tömege miatt a medence alatt lévő bármilyen tárgy károsíthatja vagy átszúrhatja a medencepadlót.
7. A kiválasztott felületnek mentesnek kell lennie az agresszív növényektől és fűféléktől. Ezek az életerős növények áthatolhatnak a burkolaton, és vízszivárgást eredményezhetnek. A fű és egyéb növényzet nyomán kellemetlen szagok vagy penész jelentkezhét, ezért ezeket a növényeket el kell távolítani a felállítás helyéről.
8. A kiválasztott hely fölött nem lehetnek villamos lévvezetékek vagy lombkorona. Bizonyosodjon meg arról, hogy a kiválasztott helyszín alatt nem találhatók közműhálózatú csövek, vezetékek vagy kábelék.
9. A kiválasztott helynek távol kell lennie a ház bejáratától. Ne legyen semmilyen berendezést vagy bútort a medence körül. Ha használat közben vagy termékhiba okán a medencéből távozó víz kárt tehet a bútortban, illetve a házban, vagy a medence mellett található berendezésekben.
10. A kiválasztott helynek egyenesnek és lyukaktól mentesnek kell lennie, megelőzendő a burkolat anyagának a károsodását.

A medence felállításához megfelelő felület és hely kiválasztásához kövesse a fenti pontos utasításokat. A medence sérült elemei, amennyiben ezen sérülések a nem megfelelő összeszerelési felületnek és helynek tudhatók be, nem minősülnek garantiási hibának, következésképpen jótállási vagy javítási igény sem fogantatható ezek vonatkozásában.

Javasolt felületek összeszereléséhez: fű, föld, beton, illetve minden egyéb felület, amely megfelel a fenti összeszerelési követelményeknek.

Összeszereléshez nem javasolt felületek: sár, homok, murva, deszka, terasz, utóbejárat, platform, puha/laza talaj vagy egyéb felület, amely nem felel meg a fenti összeszerelési követelményeknek.

MEGJEGYZÉS: Egyeztessen a helyi városi önkormányzattal a kerítésre, korlátokra, világításokra és biztonságra vonatkozó követelmények ügyében, és bizonyosodjon meg arról, hogy eleget tesz az összes törvényi előírásnak.

MEGJEGYZÉS: Ha van szűrőszivattyúja, részletekért tekintse meg a szivattyú kézikönyvét.

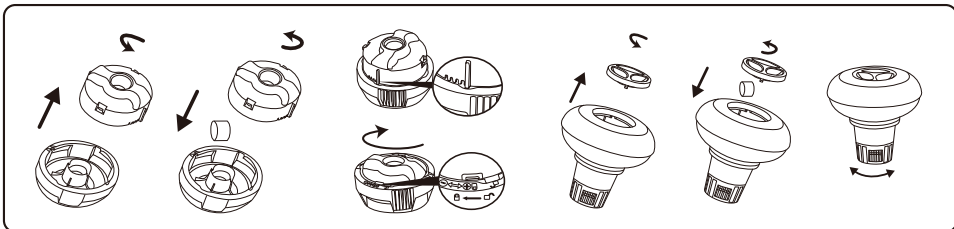
MEGJEGYZÉS: A létrának a medencemérethez kell igazodnia, és kizárólag a medencébe való bemászásához és a medence elhagyásához használja. Tilos a létra megengedett terhelését meghaladni. Rendszeres időközönként bizonyosodjon meg a létra megfelelően összeszerelt állapotáról.

MEDENCE KARBANTARTÁSA

Az alábbi karbantartási utasítások nem tartása veszélyezteti az Ön, és különösen az Ön gyermekeinek egészségét.

Vegyszertabletták használata (nincs mellékelve):

MEGJEGYZÉS: Kötelezően használja a Chemconnect egységet vagy úszó vegyszeradagolót tablettákkal végzett vegyi karbantartáskor. Előfordulhat, hogy a termék nem tartalmazza ezen adagolók egyikét sem, ebben az esetben az egységeket megvásárolhatja a www.bestwaycorp.com webhelyünkön, illetve megkeresheti a legközelebbi medenceforgalmazót.



FONTOS: Ne használjon granulátumtablettákat, illetve ne dobja a tablettát közvetlenül a vízbe. A vegyszerek lerakódhatnak a medence alján, így károsítva az anyagot, illetve elszínezve a PVC-t.

Vegyszerfolyadék használata (nincs mellékelve):

FONTOS: A vegyszerfolyadékot adja hozzák kicsi dózisokban és a medence közepénél, így elkerülve a közvetlen érintkezést a vegyszer és a PVC felület között. A közvetlen érintkezés károsíthatja az anyagot, illetve elszínezheti a felületet.

MEGJEGYZÉS: Ha a medence nincs használatban, vegye ki a vegyszeradagolót a medencéből.

FONTOS: A vegyi karbantartás elvégzését követően és a medence használata előtt tesztkészlettel (nincs mellékelve) ellenőrizze a víz vegyi tulajdonságait. Javasoljuk, hogy a víz karbantartását az alábbi táblázatban foglaltak szerint végezze.

Paraméterek	Értékek
Víz tisztaság	tisztán látni a medence alját
A víz színe	kifejezett szín nem tapasztalható
Zavarosság [FNU/NTU]	max. 1,5 (lehetőleg kevesebb mint 0,5)
A töltővíz értékét meghaladó nitrátkoncentráció [mg/l]	max. 20
Összes szerves szén (TOC) [mg/l]	max. 4,0
Redoxpotenciál Ag/AgCl és 3,5 M KCl vizes oldatában [mV]	min. 650
pH-érték	6,8 ... 7,6
Szabad aktív klór (cianursav nélkül) [mg/l]	0,3 ... 1,5
Szabad klór cianursavval együtt használva [mg/l]	1,0 ... 3,0
Cianursav [mg/l]	max. 100
Kombinált klór [mg/l]	max. 0,5 (lehetőleg kevesebb mint 0,0 mg/l)

MEGJEGYZÉS: A kémiai egyensúly hiánya által okozott károokra nem vonatkozik a garancia. A medencében használt vegyszerek potenciálisan mérgezők, ezért óvatosan kezelendők. A vegyszertároló edények helytelen címkézése súlyos egészségügyi kockázatot jelentenek. A vegyi karbantartással kapcsolatos további információkért forduljon a legközelebbi medenceforgalmazóhoz. Szigorúan tartsa be a vegyszer gyártójának utasításait. A medencének a vegyszerek nem rendeltetésszerű használatából és a medencevíz rossz kezeléséből eredő károsodására a jóállás nem érvényesíthető.

FONTOS: A vegyszerek túlzott használata elszínezheti a grafikát, illetve a medenceanyag teljes felületét. Továbbá károsíthatja a medencebevonat szerkezetét.

A medence tisztán tartása:

1. A vegyszerekre és pH készletekre vonatkozó tanácsadás és beszerzési csatornák tekintetében tájékozódjon a helyi, uszodakellékeket forgalmazó boltnál. A bevonat élettartama lehetőleg hosszabb legyen, és egészséges szinten tartásával hosszabbítható meg. A vegyszerekkel végzett vízkezelés ügyében szigorúan kövesse a szakemberek utasításait.
2. Helyezzen egy vödör vizet a medence mellé, amelyben a felhasználók leöblíthetik a lábukat, mielőtt a medencébe lépnének.
3. Fedje le a medencét, amikor nem használja.
4. A szennyeződések lerakódását megelőzendő szabályos időközönként tisztítsa meg a vízfelületet.

5. Szabályos időközönként ellenőrizze és mossa át a szűrőkazettát.
6. Óvatosan távolítsa el bármilyen szennyeződést a felső gyűrű alól egy tiszta törőköendő segítségével.
7. Esőzés esetén figyeljen arra, hogy a vízszint ne legyen magasabb a javasoltnál. Ellenkező esetben TÁVOLÍTSA EL A VÍZFELESLEGET.
8. Eső esetén ellenőrizze, hogy a vízszint nincs-e magasabban a megadott szintnél. Ha a víz a megadott szint fölé megy, eressze le a medencét a megadott szintig.

A megfelelő karbantartás maximalizálhatja a medence élettartamát.

Az úszómedence használati évszakában a szűrőrendszer működése kötelezően napi rendszerességgel, illetve elég hosszan ahhoz, hogy a rendszer átforgassa legalább egyszer a teljes vízmennyiséget.

MEGJEGYZÉS: A szivattyú a víz keringtetésére és a kis részecskék kiszűrésére szolgál. A víz tiszta és higiénikus állapotának megtartása érdekében a vízhez vegyszereket is kell adnia.

JAVÍTÁS

Szivárgás esetén a mellékelt víz alatti öntapadós javítótapasz segítségével ragassa meg a medencét. Az utasítások megtalálhatók a www.bestwaycorp.com webhelyünk ügyféltámogatás részének GYIK oldalán.

SZÉTSZERELÉS

1. Csavarozza ki az óramutató járásával ellenkező irányban a vízleeresztő szelepnél a medencén kívül eső kupakját és vegye le.
2. A csatlakozót csatlakoztassa a tömlőhöz és a másik végét helyezze be arra a helyre, ahová a medence vizét leereszteni kívánja. (Ellenőrizze a helyi szennyvízelvezetési előírásokat.)
3. Az óramutató irányában csavarja föl a tömlőadapter vezérlőgyűrűjét a leeresztőszelepre. A leeresztőszelep kinyit, a víz pedig automatikusan folyni kezd.
VIGYÁZAT: A víz lefolyásának az erősségét a biztosító gyűrűvel lehet szabályozni.
4. Amikor a vizet leeresztette, csavarja le a biztosító gyűrűt, hogy a szelepet elzárja.
5. Vegye le a tömlőt.
6. Csavarozza fel vissza a vízleeresztő szelepre a kupakját.
7. A medencét szárítsa meg a levegőn.

VIGYÁZAT: A leeresztett medencét ne hagyja kint.

TÁROLÁS

1. Távolítsa el a medence összes tartozékát és pótalkatrészét, majd tisztítás és szárítás után tegye el őket.
2. Ha a medence teljesen megszáradt, a medence részeinek egymáshoz ragadása ellen szórja be hintőporral, majd gondosan hajtogassa össze a medencét. Ha a medencét nem teljesen szárazon teszi el, a medencén penész jelenhet meg, ami tönkretelheti a medencebevonatot.
3. Tárolja a bevonatot és a tartozékokat száraz, 5 ... 38 °C (41 ... 100 °F) hőmérsékletű helyen.
4. Esős időszakban a medencét és annak tartozékait szintén a fenti utasítások szerint kell tárolni.
5. A medence nem megfelelő leürítése súlyos személyi sérülést és/vagy tárgyi kárt okozhat.
6. Nagyon javasoljuk, hogy a holt szezonban (téli hónapok) szerelje szét a medencét. Tárolja száraz, gyermekek számára hozzáférhetetlen helyen.



POWER STEEL™ OVALA POOLER ÅGARENS BRUKSANVISNING

Besök Bestway YouTube kanal 

⚠ VARNING

Läs noggrant, förstå, och följ all information i användarmanualen innan du installerar och använder swimmingpoolen. Dessa varningar, instruktioner och säkerhetsanvisningar handlar om några vanliga risker i samband med vattenlekar, men de täcker inte alla risker och faror för alla tillfällen. Var alltid försiktig, använd vanligt förnuft och gott omdöme när du njuter av aktiviteter i vattnet. Bevara den här informationen för framtida bruk.

Säkerhet för icke simkunniga

- För de personer som är dåliga på att simma eller inte är simkunniga (kom ihåg att barn under fem år lider största risken för druckning) krävs det en ständig och aktiv övervakning av en vuxen person.
- Utse en vuxen person att övervaka poolen varje gång den används.
- Dåliga simmare eller ej simkunniga personer bör aldrig personlig räddningsutrustning när de använder poolen.
- När poolen inte används, eller om den är övervakad, ta då bort alla leksaker från swimmingpoolen och runt omkring den för att undvika att barn dras till poolen.

Säkerhetsanordningar

- För att undvika drunkningsolyckor med barn rekommenderar vi att säkra tillträdet till poolen med en skyddsanordning. För att undvika att barn klättrar från inloppsventilen och utloppsventilen rekommenderar vi att ett hinder installeras (och att säkra alla dörrar och fönster där det är möjligt) för att undvika att icke behöriga personer får tillträde till swimmingpoolen.
- Hinder, poolöverdrag, poolalarm, eller liknande säkerhetsanordningar är bra hjälpmedel, men de ersätter inte en ständig och kompetent övervakning av en vuxen person.

Säkerhetsutrustning

- Vi rekommenderar att ha räddningsutrustning (ex. livboj) bredvid poolen.
- Förvara en fungerande telefon och en lista på nödnummer bredvid poolen.
- Säker användning av poolen**
- Uppmuntra alla användarna, framförallt barnen, att lära sig att simma.
- Lär dig grundläggande livsupphållande åtgärder (hjärt- och lungträning - CPR) och uppdatera denna kunskap regelbundet. Detta kan utgöra skillnaden vid en livräddning i en nödsituation.
- Ge alla användarna, inklusive barnen, instruktioner om vad man ska göra i händelse av en nödsituation.
- Dyk aldrig i grunt vatten. Det kan leda till allvarliga skador eller till döden.
- Gå inte i swimmingpoolen när du har druckit alkohol eller tagit medicin som kan försämra din förmåga att använda poolen på ett säkert sätt.
- Om poolöverdrag finns på poolen, ta då bort det fullständigt från vattentytan innan du går i poolen.
- Skydda poolanvändarna från vattenrelaterade sjukdomar genom att behandla poolvattnet och genom att praktisera en god hygien. Läs i användarmanualen om riktlinjerna för vattenbehandlingar.
- Förvara kemikalier (t.ex. vattenbehandling, rengörings- och desinfektionsprodukter) oåtkomliga för barn.
- Använd nedanstående skyltar. Skyltarna ska finnas på en framträdande plats inte längre än 2 meter från poolen.



Håll barnen under uppsikt i vattenområdet. Ingen dykning.
- Flyttbara stegar ska placeras på en horisontell yta.

- Oavsett det material som använts för tillverkning av poolen, måste alla tillgängliga ytor regelbundet kontrolleras för att undvika skador.
- Kontrollera regelbundet bultar och skruvar, ta bort flisor eller vassa kanter för att undvika skador.
- VAR UPPMÄRKSAM PÅ:** Lämna inte den tömda poolen utomhus. Den tomma poolen riskerar att bli deformerad och/eller förflyttad pga. vinden.
- Om du har en filter pump, läs då i pumpmanualen för vidare instruktioner.
- VARNING!** Pumpen får inte användas då det finns människor inuti poolen!
- Om du har en stega, läs då stegens manual för vidare instruktioner.
- VARNING!** Användningen av en swimmingpool innebär samtycke till säkerhetsinstruktionerna som beskrivs i användar- och underhållsmanualen. För att undvika druckning och andra allvarliga händelser, måste man vara särskilt försiktig när det gäller risken att barn under 5 år får oförutsett tillträde till swimmingpoolen. Säkra tillträdet till poolen och håll barnen under konstant uppsikt av en vuxen under badtillfällena.

Läs noggrant och bevara för framtida behov.

VÄLJ RÄTT PLATS

Platsen som valts för uppställning måste vara i enlighet med följande tekniska egenskaper:

1. Det är viktigt att den plats där poolen ska ställas upp på kan stödja den totala vikten av vattenfylld pool men badare och under hela den tiden som poolen beräknas vara vara uppställd. När du väljer plats för poolen, tänk på att det kan hända att vatten rinner ut när den används eller när det regnar. Om vattnet gör underlaget mjukt kan det hända att poolens vikt inte stöds.
2. Kontrollera regelbundet lägena för de vertikala benen och U-stöden. De måste alltid vara på samma nivå som poolbotten. Om det vertikala benet eller U-stödet börjar sjunka ner i marken ska vattnet omedelbart tömmas. Poolen kan annars kollapsa på grund av ojämn belastning på ramkonstruktionen. Ställ upp poolen på en annan plats eller modifiera underlaget.
3. Vi råder att placera poolen på behörigt avstånd från alla föremål som barn kan använda för att klättra in i poolen.
4. Placera poolen nära ett lämpligt avloppssystem som tar hand om överflödesvatten eller dräneringsvatten.
5. Underlaget måste vara platt och jämnt. Om underlaget lutar eller är ojämnt blir det en obalanserad belastning på strukturen. En sådan situation kan skada dukens sammansvetsning och böja ramen. I värsta fall kollapsar poolen. Detta kan leda till allvariga personskadorna och/eller skada på personlig egendom.
6. Underlaget måste vara helt rent från föremål. På grund av vattenvikten kan alla föremål under poolen skada eller punktera poolbotten.
7. Underlaget måste vara helt fritt från aggressiva växter och ogräs. Den typen av växter kan växa igenom poolduken och skapa vattenläckage. Gräs eller annan vegetation som kan börja lukta eller blir till smet måste tas bort helt innan poolen monteras.
8. Det får inte finnas strömlödnings eller tråd över platsen. Var säker på att platsen inte innehåller underjordiska rörlödnings eller kablar av något slag.
9. Platsen ska vara på långt avstånd från husbyggnader. Placera inte någon utrustning eller möbler runt poolen. Vattnen rinner ut ur poolen vid användning eller på grund av produktfel kan skada inomhusmöbler eller möbler placerade runt poolen.
10. Underlaget måste vara platt och utan hål. Annars kan dukmaterialet skadas.

Följ de viktiga anvisningarna ovan för att välja korrekt underlag och plats när du monterar din pool. Delar som skadas på grund av att underlaget och placeringen inte överensstämmer med anvisningarna anses inte vara tillverkningsfel och ingår därför inte i garantin eller i eventuella serviceanmälningar.

Rekommenderade underlag: gräs, mark, betong, och alla andra underlag som respekterar ovanstående installationsförhållanden.
Ej rekommenderade underlag: lera, sand, grus, däck, balkong, uppfall, plattform, mjuk/lös mark eller andra underlag som inte uppfyller ovanstående installationsförhållanden.

OBS: Kontrollera med din lokala kommunfullmäktige om gällande stadgar för stängsel, barriärer, belysning och säkerhetskrav för att se till att du följer alla lagar.

OBS: Om det ingår en filterpump, hänvisa till bruksanvisningen om pumpar för ytterligare instruktioner.

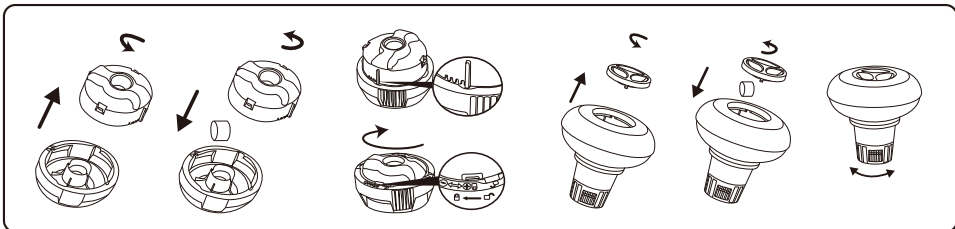
OBS: Stegen ska passa poolstorleken och ska endast användas för att komma in och ut ur poolen. Det är förbjudet att överstiga stegens tillåtna nyttolast. Kontrollera regelbundet att stegen är korrekt monterade.

POOLSKÖTSEL

Om du inte följer de riktlinjer för underhåll som följer nedan, kan din hälsa vara i riskzonen och särskilt dina barns.

Att använda kemiska tabletter (ej inkluderade)

OBS! När du utför kemiskt underhåll med tabletter måste Chemconnect eller en kemisk flottör användas. Din köpta artikel kanske inte inkluderar Chemconnect eller kemisk flottör. I detta fall kan du köpa en dispenser genom att besöka vår webbplats www.bestwaycorp.com eller hos närmaste poolåterförsäljare.



VIKTIGT: Använd inte tabletter i granulerad form och kasta inte tabletten direkt i vattnet. Kemikalierna kan fastna på botten, skada materialet och missfärga PVC-materialet.

Att använda kemisk vätska (ej inkluderad)

VIKTIGT: Tillsätt kemisk vätska i små doser i mitten av poolen. På så sätt förhindras direkt kontakt mellan kemikalierna och PVC-ytan. Direkt kontakt kan skada materialet och missfärga ytan.

OBS! Ta bort den kemiska dispensern från poolen när poolen används.

VIKTIGT: Efter att ha utfört kemiskt underhåll och innan du använder poolen, använd ett testkit (ingår ej) för att testa vattenkemin. Vi rekommenderar att du håller ditt vatten enligt följande tabell.

Parametrar	Värden
Vattnets klarhet	Tydlig sikt över poolbotten
Vattnets färg	Vattnet ska vara genomskinligt
Turbiditet FNU/NTU	max. 1,5 (helst mindre än 0,5)
Koncentrationen av nitrat över fyllt vatten i mg/l	max. 20
Totalt organiskt kol (TOC) i mg/l	max. 4,0
Redoxpotential mot Ag/AgCl 3,5 m KCl i mV	min. 650
pH-värde	6,8 till 7,6
Fritt klor (utan cyanursyra) i mg/l	0,3 till 1,5
Fritt klor som används i kombination med cyanursyra i mg/l	1,0 till 3,0
Cyanursyra i mg/l	max. 100
Kombinerad klorin i mg/l	max. 0,5 (helst nära 0,0 mg/l)

OBS! Skador till följd av kemisk obalans täcks inte av garantin. Poolkemikalier är potentiellt giftiga och bör hanteras med försiktighet. Det finns allvarliga hälsorisker med kemiska ångor och felaktig märkning och lagring av kemiska behållare. Kontakta din lokala poolåterförsäljare för mer information om kemiskt underhåll. Ägna stor uppmärksamhet åt de instruktioner som tillverkaren av kemikalierna har givit. Poolskada till följd av felaktig användning av kemikalier och misskötsel av badvattnet täcks inte av garantin.

VIKTIGT: Överanvändning av kemikalier kan missfärga poolens interiör och själva poolmaterialet. Det kan också skada pooldukens struktur.

För att hålla ditt poolvatten rent

1. Kontakta din lokala poolåterförsäljare för rådgivning och köp av kemikalier och pH-satser. En av de viktigaste faktorerna för att öka livslängden av poolduken är att hålla vattnet kontinuerligt rent och friskt. Följ noggrant anvisningarna från professionella tekniker för vattenbehandling genom användning av kemikalier.
2. Ställ en hink med vatten bredvid poolen för att rengöra fötterna innan du går in i poolen.
3. Täck över poolen när den inte används.
4. Använd regelbundet skimmer för att undvika att smuts sätter sig fast.
5. Kontrollera och rengör regelbundet filterpatronen.
6. Använd en ren trasa och rengör försiktigt under toppringen för att ta bort allt skum.

7. Var noga med regnvatten, kontrollera alltid att vattennivån inte är högre än beräknat. Om så är fallet måste du tömma överflödigt vatten.
8. Om det regnar, kontrollera att vattennivån inte är högre än den angivna nivån. Om vattennivån överskrider de angivna nivåerna, töm poolen till den angivna nivån.

Korrekt underhåll kan göra att poolen håller längre.

Under badsäsongen måste filtersystemet vara igång dagligen, tillräckligt lång tid för att garantera att allt vatten byts ut.

OB! Pumpen används för att cirkulera vattnet och filtrera bort små partiklar. För att hålla ditt poolvatten rent och hygieniskt måste du tillsätta kemikalier.

REPARATION

I händelse av läcka kan du lappa din pool med den medföljande lagningslappen för användning under vatten. Du kan hitta instruktionerna i vanliga frågor på hjälpavdelningen på vår webbplats, www.bestwaycorp.com.

DEMONTERING

1. Skruva loss tömningsventilens lock på utsidan av polen i medsols riktning och avlägsna den.
2. Anslut adaptorn till slangen och placera den andra änden av slangen i området där du ska tömma poolen. (Kontrollera de lokala bestämmelserna för tömning).
3. Skruva i kontrollringen för slangadaptorn medsols på dräneringsventilen. Dräneringsventilen öppnas och vatten dräneras automatiskt.

WARNING: Vattenflödet kan kontrolleras med kontrollringen.

4. Efter tömningen, ska du skruva loss kontrollringen för att stänga ventilen.
5. Koppla bort slangen.
6. Skruva på locket på tömningsventilen igen.
7. Låt poolen lufttorka.

WARNING: Lämna inte den tömda poolen utomhus.

FÖRVARING

1. Ta bort alla tillbehör och reservdelar på poolen och förvara dem rent och torrt.
2. När poolen är fullständigt torr, pudra över talkpuder för att undvika att poolen klistras samman. Vik poolen noggrant. Om poolen inte är fullständigt torr kan det resultera i mögel, vilket skadar poolinern.
3. Förvara linern och tillbehör på en torr plats med moderat temperatur mellan 5°C / 41°F och 38°C / 100°F.
4. Under den regniga årstiden, ska poolen och tillbehören också förvaras som ovan beskrivet.
5. Felaktig tömning av poolen kan orsaka allvarliga personskador och/eller personliga egendomsskador.
6. Vi rekommenderar absolut att poolen ska monteras ned under lågsäsongen (vintermånaderna). Förvaras på en torr plats utom räckhåll för barn.

EN INSTALLATION

Installation usually takes approximately 20-30 minutes with 2-3 people excluding earthworks and filling.

Assembly of the Frame Pool can be completed without tools. To lengthen the life of your pool, it is important to sprinkle the top rail with the Talcum Powder before assembly. Talcum Powder is not included and easily available in the market. Bestway will not be responsible for damage caused to the pool due to mishandling or failure to follow these instructions.

1. Lay out all parts and check that you have the correct quantities as listed in the components list. For assistance or FAQs, please visit the support section on our website, www.bestwaycorp.com.
2. Spread out the pool and make sure the pool is right side up; let it sit exposed to direct sunlight for 1 hour or more so that the pool is more flexible during set up.
3. Place the pool near an adequate drainage system to deal with overflow water and ensure the pool's inlet A and outlet B are correctly positioned to allow your filter pump to connect to a power source.
NOTE: Do not use extension power cords to power your pump.
ATTENTION: Do not drag the pool on the ground, this can damage the pool.
NOTE: Drawings for illustration purpose only. May not reflect actual product. Not to scale.

PT INSTALAÇÃO

A instalação geralmente leva aproximadamente 20-30 minutos com 2-3 pessoas, excluindo terraplenagem e abastecimento de água.

A montagem da piscina removível pode ser concluída sem ferramentas. Para prolongar a vida útil da sua piscina, é importante borrifar o trilho superior com pó de talco antes da montagem. O pó de talco não está incluído e está prontamente disponível no mercado.

Bestway não será responsável de los daños causados a la piscina debido a un mal manejo o al incumplimiento de estas instrucciones.

1. Verifique todas as peças e certifique-se de que as quantidades corretas estão listadas na lista de componentes. Para obter ajuda ou respostas às perguntas mais frequentes, visite a seção de suporte em nosso site, www.bestwaycorp.com.
2. Estenda a piscina e verifique se ela está voltada para cima; deixe ficar exposto à luz solar direta por 1 hora ou mais, pois a piscina é mais flexível durante a instalação.
3. Coloque a piscina perto de um sistema de drenagem adequado para tratar a água que pode transbordar e certifique-se de que a entrada A e a saída B da piscina estejam posicionadas corretamente para permitir que sua bomba de filtro seja conectada a uma fonte de alimentação.
NOTA: Não use cabos de extensão para alimentar sua bomba.
ATENÇÃO: Não arraste a piscina pelo solo, pois pode danificar a piscina.
NOTA: Desenhos apenas para fins ilustrativos. Pode não refletir o produto real. Sem escala.

ES INSTALACIÓN

La instalación generalmente toma aproximadamente 20-30 minutos con 2-3 personas excluyendo los movimientos de tierra y el llenado de agua.

El montaje de la piscina desmontable se puede completar sin herramientas. Para prolongar la vida útil de su piscina, es importante rociar el riel superior con talco en polvo antes del montaje. El polvo de talco no está incluido y se encuentra fácilmente disponible en el mercado.

Bestway no será responsable de los daños causados a la piscina debido a un mal manejo o al incumplimiento de estas instrucciones.

1. Revise todas las piezas y compruebe que tiene las cantidades correctas que se enumeran en la lista de componentes. Para obtener ayuda o respuestas a preguntas frecuentes, visite la sección de soporte en nuestro sitio web, www.bestwaycorp.com.
2. Extienda la piscina y asegúrese de que esté boca arriba; déjela reposar expuesta a la luz solar directa durante 1 hora o más para que la piscina sea más flexible durante la instalación.
3. Coloque la piscina cerca de un sistema de drenaje adecuado para tratar el posible desbordamiento de agua y asegúrese de que la entrada A y la salida B de la piscina

estén colocadas correctamente para permitir que su bomba de filtrado se conecte a una fuente de alimentación.

NOTA: No utilice cables eléctricos de extensión para alimentar su bomba.

ATENCIÓN: No arrastre la piscina por el suelo, esto puede dañar la piscina.

NOTA: Dibujos con fines ilustrativos únicamente. Puede que no refleje el producto real. No a escala.

DE AUFBAU

Für gewöhnlich nimmt der Aufbau – Erdarbeiten ausgenommen - mit 2-3 Personen voraussichtlich 20-30 Minuten in Anspruch.

Hierfür ist kein Einsatz von Werkzeug notwendig. Um die Lebensdauer Ihres Pools zu verlängern, sollte die obere Schiene vor dem Aufbau mit Talkpuder (nicht enthalten) bestreut werden.

Bestway kann für Schäden, welche aufgrund einer unzureichenden Beachtung dieser Anweisungen entstanden sind, nicht verantwortlich gemacht werden.

1. Kontrollieren Sie den Verpackungsinhalt anhand der Auflistung auf seine Vollständigkeit. Bei Fragen besuchen Sie bitte unseren Service-Bereich unter www.bestwaycorp.com.
2. Breiten Sie den Pool aus und stellen Sie sicher, dass die richtige Seite oben liegt. Lassen Sie die Folie für mindestens 1 Stunde in der Sonne liegen. Diese wird dadurch flexibler und der Aufbau dadurch erleichtert.
3. Positionieren Sie den Pool zur besseren Handhabung von überschüssigem Wasser in der Nähe einer geeigneten Ablaufstelle. Der Einlass A sowie der Auslass B sollten so platziert werden, dass die Pumpe problemlos an eine Stromquelle angeschlossen werden kann.
BITTE BEACHTEN: Verwenden Sie zum Betrieb der Pumpe kein Verlängerungskabel.
ATTENTION: Der Pool sollte nicht durch einfaches Ziehen bewegt werden, da sonst Schäden an der Folie auftreten können.
BITTE BEACHTEN: Zeichnungen dienen nur zu Veranschaulichungs Zwecken. Abweichungen vom eigentlichen Produkt möglich. Nicht maßstabsgetreu.

FI ASENNUS

Asennus kestää yleensä noin 20-30 minuuttia, kun asennuksessa on mukana 2-3 henkilöä. Aikaan ei lueta maanmuokkausta ja altaan täyttämistä.

Altaan runko voidaan koota ilman työkaluja. Altaan käyttöön pidäntämiseksi on tärkeää ripotella yläosikoon talkkijauhetta ennen kokoonpanoa. Talkkijauhetta ei toimiteta mukana. Sitä on helposti saatavilla markkinoilla.

Bestway ei vastaa uima-altaalle koituneista vahingoista, jotka johtuvat väärästä käsittelystä tai näiden ohjeiden noudattamatta jättämisestä.

1. Ota esille kaikki osat ja tarkista, että osia on oikea määrä osaluettelon mukaisesti. Apua tai usein kysyttyjä kysymyksiä varten käy sivustomme tukisivulla osoitteessa www.bestwaycorp.com.
2. Levitä allas ja varmista, että se on oikea puoli ylöspäin. Anna sen olla näin suorassa auringonvalossa vähintään 1 tunti, jolloin se on taipuisampi asennuksen aikana.
3. Sijoita allas sopivan vierärröinnin läheisyyteen ylivuotavan veden varalta ja varmista, että altaan sisääntulo A ja ulostulo B ovat oikein asetettu siten, että suodatinpumppu voidaan kiinnittää virtälähteeseen.
HUOMAUTUS: Älä käytä jatkojohtoja pumppusi virransyöttöön.
HUOMIO: Älä raahaa allasta maata pitkin, sillä tämä voi vahingoittaa allasta.
HUOMAUTUS: Piirustukset ovat vain viitteeksi. Ne eivät välttämättä vastaa todellista tuotetta. Ne eivät ole mittakaavassa.

NL INSTALLATIE

De installatie duurt meestal ongeveer 20-30 minuten met 2-3 mensen exclusief grondwerken en vullen.

Zwembaden met frame kunnen zonder gereedschap worden opgezet. Om ervoor te zorgen dat uw zwembad langer meegaat, is het belangrijk om de bovenste rail te besprenkelen met talkpoeder voor de montage. Het talkpoeder wordt niet bij het zwembad geleverd, maar is gemakkelijk verkrijgbaar op de markt.

Bestway kan niet aansprakelijk worden gesteld voor schade aan het zwembad die is veroorzaakt door een verkeerd gebruik of doordat deze instructies niet zijn opgevolgd.

1. Leg alle onderdelen neer en controleer of u de juiste hoeveelheden heeft, zoals op de onderdeellijst staat vermeld. Voor assistentie of FAQ's kunt u de supportafdeling op onze website bezoeken op www.bestwaycorp.com.
2. Spreid het zwembad uit en zorg ervoor dat de goede kant naar boven ligt. Laat het minstens 1 uur in het directe zonlicht liggen, zodat het zwembad flexibeler is tijdens het opzetten.
3. Plaats het zwembad in de buurt van een geschikt afvoersysteem om overstromend water te kunnen afvoeren en zorg ervoor dat invoer A en afvoer B van het zwembad goed zijn geplaast, zodat uw filterpomp kan worden aangesloten op een stroombron.
OPMERKING: Gebruik geen verleng snoeren om uw pomp of de stroom aan te sluiten.
OPGELET: Sleep het zwembad niet over de grond, dit kan het zwembad beschadigen.
OPMERKING: Tekeningen uitsluitend voor illustratiedoeleinden. Mogelijk geen weerspiegeling van het werkelijke product. Niet op schaal.

IT INSTALLAZIONE

L'installazione, se eseguita da 2-3 persone, richiede solitamente circa 20-30 minuti, esclusi i lavori di sterrò e di riempimento. L'assemblaggio del telaio della piscina può essere portato a termine senza l'utilizzo di attrezzi. Per allungare la durata di vita della tua piscina, è importante risparmiare di talco il binario superiore prima del montaggio. Il talco in polvere non è incluso ma è facilmente reperibile sul mercato. Bestway non sarà responsabile dei danni causati alla piscina a causa di un utilizzo non corretto o non conforme a queste istruzioni.

1. Disporre accuratamente tutte le parti e verificare di essere in possesso delle quantità corrette elencate nella lista dei componenti. Per assistenza o domande frequenti, visitare la sezione di supporto sul nostro sito Web, www.bestwaycorp.com.
2. Spiegare la piscina e assicurarsi che sia rivolta verso l'alto; lasciarla esposta alla luce solare diretta per 1 ora o più in modo che la piscina sia più flessibile durante l'installazione.
3. Collocare la piscina vicino a un sistema di scarico adeguato nel caso in cui l'acqua trabocchi e assicurarsi che l'ingresso A e l'uscita B della piscina siano posizionati correttamente per consentire alla pompa di filtraggio di collegarsi a una fonte di alimentazione.
NOTA: Non utilizzare prolunghe per alimentare la pompa.
ATTENZIONE: Non trascinare la piscina a terra, in quanto ciò potrebbe danneggiarla.
NOTA: I disegni sono riportati a solo scopo illustrativo. Potrebbero non riflettere il prodotto reale. Non in scala.

FR INSTALLATION

L'installation prend habituellement 20 à 30 minutes environ avec 2-3 personnes, à l'exclusion des ouvrages de terre et du remplissage.

Le montage de la piscine à structure peut être effectué sans outil. Pour prolonger la durée de vie de votre piscine, il est important de saupoudrer le rail supérieur de talc avant le montage. Le talc n'est pas inclus et il est facile à trouver dans le commerce.

Bestway ne peut être tenue pour responsable des dégâts provoqués à la piscine suite à des erreurs de manipulation ou au non-respect de ces instructions.

1. Étiquetez toutes les pièces et contrôlez que vous disposez des quantités correctes conformément à la liste des composants. Si vous avez besoin d'aide ou si vous souhaitez consulter les FAQ, veuillez visiter la section assistance de notre site web, www.bestwaycorp.com.
2. Étalez la piscine et vérifiez qu'elle soit dans le bon sens ; laissez-la en plein soleil pendant 1 heure ou plus jusqu'à ce que la piscine soit plus flexible durant l'installation.
3. Placez la piscine près d'un système de vidange approprié pour gérer l'eau de débordement et vérifiez que l'entrée A et la sortie B de la piscine sont correctement positionnées pour permettre à votre pompe de filtration d'être branchée sur une source de courant.
REMARQUE: N'utilisez pas de rallonge pour alimenter votre pompe.
ATTENTION: Ne traînez pas la piscine sur le sol car cela peut l'abîmer.
REMARQUE: Les dessins ne sont qu'à titre d'illustration. Il peut arriver qu'ils ne reflètent pas le produit réel. Pas à l'échelle.

EL ΕΓΚΑΤΑΣΤΑΣΗ

Η ΕΓΚΑΤΑΣΤΑΣΗ ΣΥΝΗΘΩΣ ΑΠΑΙΤΕΙ ΠΕΡΙΠΟΥ 20-30 ΛΕΠΤΑ ΚΑΙ 2-3 ΑΤΟΜΑ ΕΞΑΙΡΟΝΤΑΣ ΤΙΣ ΧΩΜΑΤΟΥΡΓΙΚΕΣ ΕΡΓΑΣΙΕΣ ΚΑΙ ΤΗΝ ΠΛΗΡΩΣΗ.

Η ΣΥΝΑΡΜΟΛΟΓΗΣΗ ΤΟΥ ΠΛΑΙΣΙΟΥ ΤΗΣ ΠΙΣΙΝΑΣ ΜΠΟΡΕΙ ΝΑ ΟΛΟΚΛΗΡΩΘΕΙ ΧΩΡΙΣ ΕΡΓΑΣΕΙΑ, ΓΙΑ ΝΑ ΕΠΙΚΗΜΥΝΘΕΙ Η ΔΙΑΡΚΕΙΑ ΖΩΗΣ ΤΗΣ ΠΙΣΙΝΑΣ ΣΑΣ, ΕΙΝΑΙ ΣΗΜΑΝΤΙΚΟ ΝΑ ΠΑΣΠΑΛΙΣΕΤΕ ΤΟ ΚΙΓΚΛΙΔΙΟ ΜΕ ΤΗ ΣΚΟΝΗ "TALCUM POWDER" ΠΡΙΝ ΑΠΟ ΤΗ ΣΥΝΑΡΜΟΛΟΓΗΣΗ. Η ΣΚΟΝΗ "TALCUM POWDER" ΔΕΝ ΣΥΜΠΕΡΙΛΑΜΒΑΝΕΤΑΙ, ΑΛΛΑ ΥΠΑΡΧΕΙ ΣΤΗΝ ΑΦΟΡΑ ΚΑΙ ΜΠΟΡΕΙΤΕ ΝΑ ΤΗ ΒΡΕΙΤΕ ΠΟΥ ΕΥΚΟΛΑ.

Η BESTWAY ΔΕΝ ΘΑ ΕΙΝΑΙ ΥΠΕΥΘΥΝΗ ΓΙΑ ΖΗΜΙΕΣ ΠΟΥ ΠΡΟΚΑΘΗΚΑΝ ΣΤΗΝ ΠΙΣΙΝΑ ΛΟΓΩ ΚΑΚΟΜΕΤΑΧΕΙΡΙΣΗΣ Ή ΛΟΓΩ ΜΗ ΣΥΜΜΟΡΦΩΣΗΣ ΜΕ ΑΥΤΕΣ ΤΙΣ ΟΔΗΓΙΕΣ.

1. ΤΟΠΟΘΕΤΗΣΤΕ ΟΛΑ ΤΑ ΕΞΑΡΤΗΜΑΤΑ ΚΑΙ ΒΕΒΑΙΩΘΕΙΤΕ ΟΤΙ ΕΧΕΤΕ ΤΙΣ ΣΩΣΤΕΣ ΠΟΣΟΤΗΤΕΣ ΠΟΥ ΑΝΑΦΕΡΟΝΤΑΙ ΣΤΗ ΣΧΕΤΙΚΗ ΛΙΣΤΑ ΤΩΝ ΕΞΑΡΤΗΜΑΤΩΝ. ΓΙΑ ΒΟΗΘΕΙΑ Η ΓΙΑ ΠΕΡΑΙΩΤΕΡΑ ΕΡΩΤΗΣΕΙΣ, ΠΑΡΑΚΑΛΟΥΜΕ ΔΕΙΤΕ ΤΗΝ ΕΝΟΤΗΤΑ ΤΕΧΝΙΚΗ ΥΠΟΣΤΗΡΙΞΗ ΣΤΗΝ ΙΣΤΟΣΕΛΙΔΑ ΜΑΣ, www.bestwaycorp.com.
2. ΑΝΟΙΞΤΕ ΚΑΙ ΑΠΛΩΣΤΕ ΤΗΝ ΠΙΣΙΝΑ ΚΑΙ ΒΕΒΑΙΩΘΕΙΤΕ ΟΤΙ Η ΠΙΣΙΝΑ ΕΙΝΑΙ ΜΕ ΤΗ ΣΩΣΤΗ ΠΛΕΥΡΑ ΠΡΟΣ ΤΗ ΕΠΛΑΝ, ΑΦΗΣΤΕ ΤΗΝ ΝΑ ΜΕΙΝΕΙ ΕΚΤΕΘΕΜΕΝΗ ΣΤΗΝ ΑΜΕΣΗ ΗΛΙΑΚΗ ΑΚΤΙΝΟΒΟΛΙΑ ΓΙΑ 1 ΩΡΑ Ή ΠΕΡΙΣΣΟΤΕΡΟ, ΟΥΤΩΣ ΩΣΤΕ Η ΠΙΣΙΝΑ ΝΑ ΕΙΝΑΙ ΠΙΟ ΕΥΕΛΙΚΤΗ ΚΑΤΑ ΤΗ ΔΙΑΡΚΕΙΑ ΤΗΣ ΤΟΠΟΘΕΤΗΣΗΣ.
3. ΤΟΠΟΘΕΤΗΣΤΕ ΤΗΝ ΠΙΣΙΝΑ ΚΟΝΤΑ ΣΕ ΕΝΑ ΕΠΑΡΚΕΣ ΣΥΣΤΗΜΑ ΑΠΟΣΤΡΑΓΓΙΣΗΣ ΩΣΤΕ ΝΑ ΑΝΤΙΜΕΤΩΠΙΣΕΤΕ ΣΩΣΤΑ ΤΟ ΝΕΡΟ ΤΗΣ ΥΠΕΡΧΕΙΛΙΣΗΣ ΚΑΙ ΒΕΒΑΙΩΘΕΙΤΕ ΟΤΙ Η ΕΙΣΟΔΟΣ Α ΤΗΣ ΠΙΣΙΝΑΣ ΚΑΙ Η ΕΞΟΔΟΣ Β ΤΗΣ ΠΙΣΙΝΑΣ ΕΙΝΑΙ ΣΩΣΤΑ ΤΟΠΟΘΕΤΗΜΕΝΕΣ, ΩΣΤΕ ΝΑ ΕΠΙΤΡΕΠΟΥΝ ΣΤΗΝ ΑΝΤΛΙΑ ΣΑΣ ΜΕ ΤΟ ΦΙΛΤΡΟ ΝΑ ΣΥΝΔΕΘΕΙ ΜΕ ΜΙΑ ΠΡΙΖΑ ΠΑΡΟΧΗΣ ΗΛΕΚΤΡΙΚΟΥ ΡΕΥΜΑΤΟΣ.
ΣΗΜΕΙΩΣΗ: ΜΗΝ ΧΡΗΣΙΜΟΠΟΙΕΙΤΕ ΚΑΛΩΔΙΑ ΕΠΕΚΤΑΣΗΣ (ΜΠΛΑΝΤΕΖΕΣ) ΓΙΑ ΤΗΝ ΠΑΡΟΧΗ ΗΛΕΚΤΡΙΚΗΣ ΤΡΟΦΟΔΟΣΙΑΣ ΤΗΣ ΑΝΤΛΙΑΣ.
ΠΡΟΣΟΧΗ: ΜΗΝ ΣΕΡΝΕΤΕ ΤΗΝ ΠΙΣΙΝΑ ΣΤΟ ΕΔΑΦΟΣ, ΓΙΑΤΙ ΑΥΤΟ ΜΠΟΡΕΙ ΝΑ ΠΡΟΚΑΛΕΣΕΙ ΒΛΑΒΗ ΣΤΗΝ ΠΙΣΙΝΑ.
ΣΗΜΕΙΩΣΗ: ΤΑ ΣΧΕΔΙΑ ΕΙΝΑΙ ΜΟΝΟ ΓΙΑ ΛΟΓΟΥΣ ΑΠΕΙΚΟΝΙΣΗΣ. ΜΠΟΡΕΙ ΝΑ ΜΗΝ ΑΝΤΑΠΟΚΡΙΝΟΝΤΑΙ ΣΤΟ ΠΡΑΓΜΑΤΙΚΟ ΠΡΟΪΟΝ. ΔΕΝ ΕΙΝΑΙ ΥΠΟ ΚΛΙΜΑΚΑ.

RU УСТАНОВКА

Установка силами 2-3 человек обычно занимает приблизительно 20-30 минут, не считая земляных работ и наполнения бассейна водой.

Сборка бассейна с рамой может быть выполнена без инструментов. Чтобы продлить срок службы бассейна, перед сборкой нужно посыпать талком верхние направляющие. Талк не входит в комплект поставки, но его можно легко найти в продаже.

Компания Bestway не несет ответственности за причиненные бассейну повреждения вследствие неправильного обращения или несоблюдения настоящих инструкций.

1. Разложите все составные части и проверьте соответствие их количества по списку компонентов. Для получения помощи или ответов на часто задаваемые вопросы посетите раздел поддержки на нашем веб-сайте www.bestwaycorp.com.
2. Разложите бассейн и убедитесь, что правильная сторона бассейна смотрит вверх. Оставьте бассейн на 1 час или более под ярким солнечным светом, чтобы бассейн стал более эластичным при установке.
3. Установите бассейн рядом с подходящей системой слива, чтобы, при необходимости, устранить переливание, и убедитесь в том, что впускное отверстие А и выпускное отверстие В бассейна расположены правильно, что позволит подсоединить фильтрующий насос к сети электропитания.
ПРИМЕЧАНИЕ. Не используйте удлинители для подключения насоса к сети электропитания.
ВНИМАНИЕ! Не волочите бассейн по земле, поскольку это может привести к его повреждению.
ПРИМЕЧАНИЕ. Схемы приведены исключительно для иллюстрации. Они могут не отображать конкретное изделие. Схемы не отображают действительный масштаб.

PL MONTAŻ

Montaż trwa zwykle około 20-30 minut, przy 2-3 osobach z wyłączeniem robót ziemnych i zasypywania.

Montaż basenu Frame Pool można wykonać bez użycia narzędzi. Aby przedłużyć żywotność basenu, przed montażem należy posypać górną poziomą rurę talkiem w proszku. Talk w proszku nie jest dołączony i jest łatwo dostępny na rynku. Bestway nie ponosi odpowiedzialności za skutki wyrządzone z basenem z powodu niewłaściwej obsługi lub nieprzestrzegania niniejszych instrukcji.

1. Rozłóż wszystkie części i sprawdź, czy masz prawidłowe ilości wymienione na liście komponentów. Aby uzyskać pomoc lub znaleźć odpowiedzi na najczęściej zadawane pytania, odwiedź sekcję pomocy w naszej witrynie internetowej www.bestwaycorp.com.
2. Rozłóż basen i upewnij się, że jest ustawiony właściwą stroną do góry; pozostaw go wystawionego na bezpośrednie działanie promieni słonecznych przez 1 godzinę lub dłużej, aby basen był bardziej elastyczny podczas ustawiania.
3. Umieść basen w pobliżu odpowiedniego systemu odwadniającego, aby poradzić sobie z przelewającą się wodą i upewnij się, że wlot A i wylot B basenu są odpowiednio ustawione, aby umożliwić podłączenie pompy filtrującej do źródła zasilania.

UWAGA: Do zasilania pompy nie należy używać przedłużaczy.

UWAGA: Nie ciągnij basenu po ziemi, może to spowodować uszkodzenie basenu.

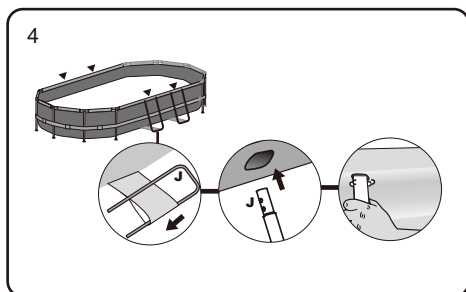
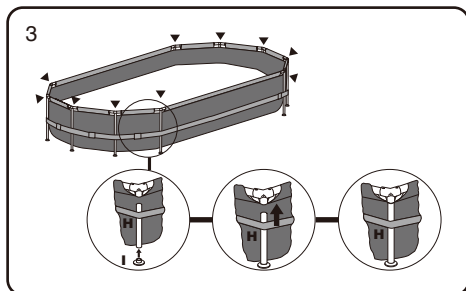
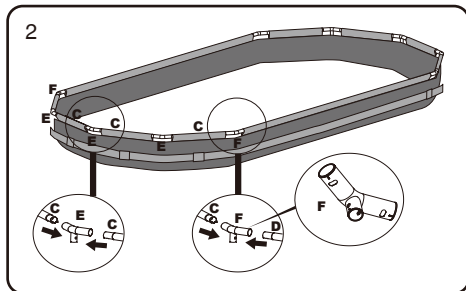
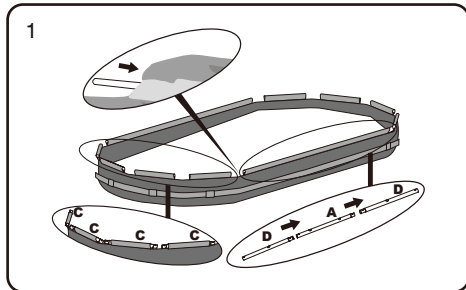
UWAGA: Rysunki służą wyłącznie do celów ilustracyjnych. Mogą nie odzwierciedlać rzeczywistego produktu. Nieskalowalne.

hantera överflödsvatten och se till poolens inlopp A och utlopp B är rätt placerade för att tillåta din filterpump att ansluta till en strömkälla.

OBS: Använd inte en förlängningsladd för att förse din pump med ström.

VARNING: Dra inte poolen längs marken, detta kan skada poolen.

OBS: Bilderna är endast avsedda som förklaring. De kan skilja sig från den faktiska produkten. Inte skaleniaga.



HU FELÁLLÍTÁS

A beszerelés általában 20–30 percet vesz igénybe, ha 2–3 ember végzi a földmunkákat és a feltöltést. A vászar medence összeszerelése nem igényel semmilyen szerszámot. A medence élettartamának meghosszabbítása érdekében fontos, hogy a felső sínt összeszerelés előtt lássa el némi hintóporral. A hintópor nem képezi a készlet részét, kereskedelmi forgalomban azonban könnyen beszerezhető. A Bestway nem vállal felelősséget a medence nem megfelelő kezeléséből vagy jelen utasítások figyelmen kívül hagyásából származó károkkért.

1. Tegyé le a földre az összes alkatrészt, és ellenőrizze, hogy az alkatrésztáblában jelölt mennyiségben rendelkezésre áll az összes alkatrész. Támogatás ügyében vagy GYIK kapcsán látogassa meg a www.bestwaycorp.com weboldalunk ügyféltámogatás részét.
 2. Terítse ki a medencét, és bizonyosodjon meg arról, hogy a medence megfelelő oldala néz felfelé, hagyja 1 órát vagy hosszabb időt a közvetlen napsugárzásban, hogy felállításkor kellően rugalmas legyen a medence.
 3. Helyezze a medencét a túlfolyó vizet befogadni képes, megfelelő csatornarendszer mellé, és gondoskodjon arról, hogy a medence „A” bemenete és „B” kimenete megfelelően van elhelyezve a szűrőszivattyú áramforrásokhoz való csatlakoztatásához.
- MEGJEGYZÉS:** Ne használjon hosszabbítót a szivattyú áramellátásának biztosításához.
- FIGYELEM:** Ne húzza a medencét a földön, mert az megsérülhet.
- MEGJEGYZÉS:** Az ábrák csak illusztrációként szolgálnak. Az ábrák nem feltétlenül a vonatkozó terméket mutatják. Az ábrák nem méretarányosak.

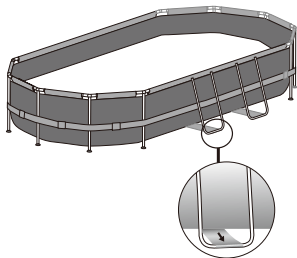
SV INSTALLATION

Installationen tar vanligtvis cirka 20-30 minuter. Detta med 2-3 personer som utför markarbeten och fyller på med vatten. Det krävs inga verktyg för att montera poolramen. För att förlänga din pools livslängd, pudra toppskenan med talkpuder innan montering. Talkpuder ingår inte i leveransen men finns att handla i affären.

Bestway kommer inte att ansvara för skador som uppstått på poolen vid inkorrekt behandling eller av att inte ha följt instruktionerna.

1. Lägg ut alla delar och kontrollera att du har rätt antal delar som finns listade i förteckningen. För assistans eller vanliga frågor, besök hjälpsvdelningen på vår webbplats, www.bestwaycorp.com.
2. Lägg ut poolen och se till att rätt sida är upp, låt den vara exponerad av direkt solljus under cirka 1 timme så att den blir mer flexibel vid montering.
3. Placera poolen nära ett lämpligt avloppssystem för att

5



FR MONTAGE DE LA VANNE DE COMMUNICATION

Pour les piscines avec vanne de communication.
REMARQUE : Si vous souhaitez raccorder d'autres kits de nettoyage de piscine à la piscine au moyen de la vanne de communication, démontez la grille du connecteur.

EL ΣΥΝΑΡΜΟΛΟΓΗΣΗ ΒΑΛΒΙΔΑΣ ΣΥΝΔΕΣΗΣ

ΓΙΑ ΠΙΣΙΝΑ ΜΕ ΒΑΛΒΙΔΑ ΣΥΝΔΕΣΗΣ.
ΣΗΜΕΙΩΣΗ: ΕΑΝ ΘΕΛΕΤΕ ΝΑ ΣΥΝΔΕΣΕΤΕ ΑΛΛΑ ΣΕΤ Ή ΚΙΤ ΚΑΘΑΡΙΣΜΟΥ ΠΙΣΙΝΑΣ ΓΙΑ ΤΗΝ ΠΙΣΙΝΑ ΜΕΣΩ ΤΗΣ ΒΑΛΒΙΔΑΣ ΣΥΝΔΕΣΗΣ ΑΠΟΣΥΝΑΡΜΟΛΟΓΗΣΤΕ ΤΗΝ ΟΘΟΝΗ ΑΠΟΡΡΙΜΑΤΩΝ ΑΠΟ ΤΟΝ ΣΥΝΔΕΣΜΟ.

RU БОРКА СОЕДИНИТЕЛЬНОГО КЛАПАНА

Для бассейна с соединительным клапаном:
ПРИМЕЧАНИЕ. Если вы хотите подсоединить другие комплекты для чистки бассейнов через соединительный клапан, снимите с соединителя сетку для улавливания мусора.

PL MONTAŻ ZAWORU POŁĄCZENIA

Baseny z zaworem łączącym.
UWAGA: Jeśli chcesz podłączyć inne zestawy do czyszczenia basenów do basenu poprzez zawór przyłączeniowy, zdejmij przelonę na zanieczyszczenia ze złącza.

HU CSATLAKOZÓSELEP EGYSÉG

Csatlakozószeleppel ellátott medencék esetén.
MEGJEGYZÉS: Amennyiben egyéb medencetisztító készletet kíván kötni a csatlakozószelephez, szerezje le a törlelekszűrőt a csatlakozóról.

SV MONTERING AV KOPPLINGSVENTIL

För pool med anslutningsventil.
OBSERVERA: Om du vill koppla till andra rengöringskit till poolen via kopplingsventilen, demontera skräpfiltert från kopplingen.

EN CONNECTION VALVE ASSEMBLY

For pool with connection valve.
NOTE: If you want to connect other pool cleaning kits to the pool through the connection valve, disassemble the Debris Screen from the Connector.

PT MONTAGEM DA VÁLVULA DE LIGAÇÃO

Para piscina com válvula de ligação.
NOTA: Caso pretenda ligar outros kits de limpeza de piscinas à sua piscina através da válvula de ligação, desmonte o filtro de resíduos do Conetor.

ES MONTAJE DE LA VÁLVULA DE CONEXIÓN

Para piscinas equipadas con válvula de conexión.
NOTA: Si desea conectar otros kits de limpieza de piscinas a la piscina a través de la válvula de conexión, desmonte la rejilla para residuos del conector.

DE MONTAGE VENTILVERBINDUNG

Bei Pools mit Anschlussventil.
HINWEIS: Wenn Sie ein Poolreinigungsset über das Anschlussventil anschließen möchten, dann schrauben Sie das Schmutzsieb ab.

FI ÜHENDUSKLAPI KOOST

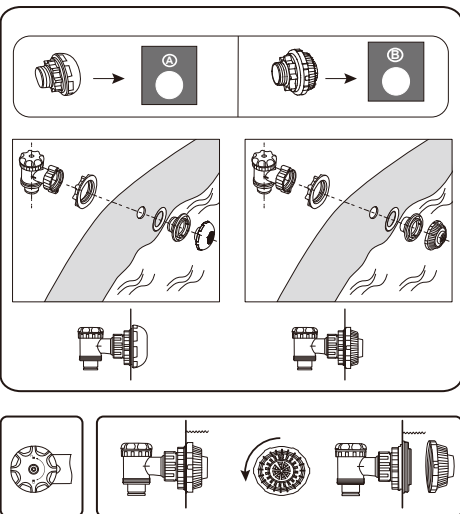
Allas, jossa on kytkentäventiili.
HUOMAA: Jos haluat liittää toisia altaanpuhdistussarjoja altaaseen käyttämällä liitosventiiliä, irrota roskasuodatin liittimestä.

NL MONTAGE VAN AANSLUITINGSKLEP

Voor zwembaden met aansluitingsklep.
OPMERKING: Als u andere zwembadreinigingskits op het zwembad wilt aansluiten via het verbindingsventiel, verwijder het vuilscherm dan van de connector.

IT GRUPPO VALVOLE DI COLLEGAMENTO

Per piscine con valvola di collegamento.
NOTA: Per collegare altri kit di pulizia alla piscina attraverso la valvola di collegamento, smontare il filtro detriti dal connettore.



EN FILLING POOL WITH WATER

ATTENTION: Do not leave pool unattended while filling with water.

1. Fill the pool until the water reaches the welding line located 12cm-20cm (4.7"-7.9") from the top of the pool. **DO NOT OVERFILL** as this could cause the pool to collapse. In times of heavy rainfall you may need to empty some of the water to ensure the level is correct.
2. When filling the pool is completed, check that the water is not collecting on any side to ensure the pool is level.
IMPORTANT: If pool is not level, drain water and re-level through by digging out. Never attempt to move the pool with water in it, serious personal injury or damage to the pool may result.
WARNING: Your pool may contain a great deal of pressure. If your pool has any bulge or uneven side then the pool is not level, the sides may burst and the water may discharge suddenly causing serious personal injury and/or damage to property.
3. Check pool for any leaks at valves or seams, check any evident water loss. Do not add chemicals until this has been done.

PT ENCHIMENTO DA PISCINA COM ÁGUA

ATENÇÃO: Supervisionar a piscina quando a mesma estiver a ser enchida.

1. Encher a piscina até a água chegar à linha de soldadura localizada a 4,7"-7,9" (12cm-20cm) a partir do topo da piscina. **NÃO ENCHER EM EXCESSO**, pois isto poderia causar o colapso da piscina. Em tempos de chuva intensa pode ser necessário esvaziar parte da água para garantir que o nível está correto.
2. Quando o enchimento da piscina estiver concluído, certificar-se de que a água não se esteja a acumular em um lado; sinal de que a piscina não foi colocada sobre superfície plana.
IMPORTANTE: Se a piscina não estiver nivelada, escoar a água e nivelar o terreno. Não tentar, de modo algum, deslocar a piscina se a mesma estiver cheia, isto poderia causar sérios ferimentos e/ou danos à piscina!
ATENÇÃO: A sua piscina pode conter bastante pressão. Se a sua piscina tiver alguma protuberância ou um lado desigual, significa que a mesma não está nivelada. Os lados podem estourar e a água escoará, repentinamente, causando sérios ferimentos e/ou danos materiais.
3. Verifique a piscina quanto a vazamentos nas válvulas ou costuras, verifique se há perda óbvia de água. Não adicione produtos químicos até que isso tenha sido feito.

ES LLENADO DE LA PISCINA CON AGUA

ATENCIÓN: No deje la piscina sin vigilancia mientras la está llenando de agua.

1. Llene la piscina hasta que el agua alcance la línea de soldadura situada a 4,7"-7,9" (12cm-20cm) de la parte superior de la piscina. **NO LLENE DEMASIADO** ya que esto podría provocar el colapso de la piscina. En tiempos de fuertes lluvias puede ser necesario vaciar parte del agua para asegurar el nivel correcto.
2. Cuando la piscina se haya llenado por completo, compruebe que el agua no se acumula en ningún lado para que la piscina esté equilibrada.
IMPORTANTE: Si la piscina no está equilibrada, drene el agua y vuelva a equilibrar el suelo cavando. No intente nunca mover la piscina con agua dentro de la misma, pueden provocarse graves daños personales o daños en la piscina.
ADVERTENCIA: Su piscina puede contener una gran cantidad de presión. Si su piscina presenta bultos o lados que no están equilibrados la piscina no está equilibrada, los lados pueden explotar y el agua se descargará provocando graves heridas personales y daños a las propiedades.
3. Revise la piscina por si hay fugas en las válvulas o costuras, verifique cualquier pérdida evidente de agua. No agregue productos químicos hasta que esto se haya hecho.

DE FÜLLEN DES POOLS MIT WASSER

Achtung: Lassen Sie den Pool während des Einfüllens des Wassers nicht unbeaufsichtigt.

1. Füllen Sie den Pool bis zur Schweißnaht (12 cm - 20 cm unterhalb der Oberkante) und vor allem **NICHT**

ÜBERMÄSSIG auf, da so ernste Schäden entstehen und zum Einsturz des Pools führen können. Zur Aufrechterhaltung des richtigen Wasserstandes muss bei starken Regenfällen ggf. ein Teil des Wassers wieder abgelassen werden.

2. Nachdem der Pool vollständig befüllt ist, prüfen Sie, dass sich das Wasser nicht auf einer Seite sammelt, um zu gewährleisten, dass der Pool eben ist.
WICHTIG: Lassen Sie, wenn der Pool nicht eben ist, das Wasser ab und nivellieren Sie den Boden durch Ausbuh. Versuchen Sie nicht, den Pool mit darin befindlichem Wasser zu bewegen. Dabei kann es zu schweren Verletzungen oder Schäden am Pool kommen.
ACHTUNG: Ihr Pool kann sehr viel Druck enthalten. Weist Ihr Pool eine Beule oder unebene Seite auf, dann ist er nicht eben. Die Seiten können dann reißen und das Wasser läuft plötzlich aus, was zu schweren Verletzungen und / oder Besitzschäden führen kann.
3. Überprüfen Sie den Pool auf Undichtigkeit an Ventilen oder Nähten, prüfen Sie auf erkennbar austretendes Wasser. Fügen Sie Chemikalien erst im Anschluss daran zu.

FI ALTAAN TÄYTTÄMINE VEDELLÄ

HUOMAA: Älä jätä allasta valvomatta täytön aikana.

1. Jatka altaan täyttämistä, kunnes vesi yltää hitsausviivaan, joka sijaitsee 4,7"-7,9" (12–20 cm) altaan yläreunasta. **ÄLÄ YLITÄYTÄ**, sillä se saattaa aiheuttaa altaan romahtamisen. Erittään sateisella säällä altaasta kannattaa tyhjentää vettä, jotta veden kokonaismäärä pysyy oikeana.
2. Kun altaan täyttö on valmis, tarkista, että vesi ei nouse enemmän jollain sivulla, jolloin allas ei ole suorassa.
TÄRKEÄÄ: Jos allas ei ole suorassa, tyhjennä vesi ja tasa alusta kaivamalla. Älä koskaan yritä siirtää allasta, jossa on vettä. Seurauksena voi olla vakava henkilövahinko tai altaan vahingoittuminen.
VAROITUS: Altaassasi voi olla suuri määrä painetta. Jos allas pulloittaa jollain sivulta tai on vesi on korkeammalla jollain sivulla, allas ei ole suorassa, siivut voivat revetä ja vesi voi tyhjentyä äkisti aiheuttaen vakavia henkilövammoja ja/tai omaisuusvahinkoja.
3. Tarkasta allas vuotojen varalta ventileistä tai saumoista. Tarkasta näkyvän veden menetyksen varalta. Älä lisää kemikaleja, ennen kuin tämä on tehty.

NL HET ZWEMBAD VULLEN MET WATER

OPGELET: Laet het zwembad niet zonder toezicht wanneer het gevuld wordt met water.

1. Vul het zwembad totdat het water de laslijn bereikt op 12 cm - 20 cm (4,7"-7,9") vanaf de bovenkant van het zwembad. **NIET OVERVULLEN**, aangezien dit ertoe kan leiden dat het zwembad instort. In tijden van hevige regenval kan het nodig zijn om een deel van het water te verwijderen om ervoor te zorgen dat het niveau correct is.
2. Wanneer het zwembad gevuld is, controleer of het water niet hoger staat aan een zijde van het zwembad.
BELANGRIJK: Is het zwembad niet genivelleerd is, wordt het water afgevoerd en de ondergrond uitgegraven. Probeer het zwembad nooit te verplaatsen wanneer er water in zit, om persoonlijke letsels of schade aan het zwembad te vermijden.
WAARSCHUWING: Uw zwembad kan heel wat druk bevatten. Als uw zwembad een bult of oneffen zijde vertoont, betekent dit dat het niet genivelleerd is. De zijkanten kunnen barsten en het water kan plots weglopen, wat ernstige persoonlijke letsels en/of schade aan bezittingen kan veroorzaken.
3. Controleer het zwembad op lekken bij ventielen of naden, controleer op duidelijke waterlekken. Voeg geen chemicaliën toe tot dit gecontroleerd werd.

IT RIEMPIMENTO DELLA PISCINA CON ACQUA

ATTENZIONE: Sorvegliare la piscina durante la fase di riempimento.

1. Riempire la piscina fino a che l'acqua non raggiunge la linea di saldatura situata a 12-20 cm (4,7" - 7,9") dalla sommità della piscina. **NON RIEMPIRE ECCESSIVAMENTE** poiché ciò potrebbe causare il collasso della piscina. In periodi di forti piogge potrebbe essere necessario drenare parte dell'acqua per mantenere il giusto livello.
2. Dopo aver riempito la piscina, verificare che l'acqua non si

- accumuli su un lato della piscina; in tal caso significa la piscina non è in piano.
- IMPORTANTE:** Se così fosse, far defluire l'acqua e livellare il terreno. Non cercare di spostare la piscina piena d'acqua - rischio di lesioni o danni alla piscina!
- AVVERTENZA:** La piscina potrebbe contenere una pressione elevata. Eventuali rigonfiamenti o pareti irregolari indicano il mancato livellamento della piscina, nonché il probabile sfondamento delle pareti o la possibile fuoriuscita dell'acqua, con conseguente rischio di lesioni e/o danni agli oggetti personali.
3. Controllare la piscina per eventuali perdite nelle valvole o nelle giunzioni, controllare l'eventuale perdita d'acqua. Non aggiungere prodotti chimici fino a quando questa operazione non è stata fatta.

FR REMPLIR D'EAU LA PISCINE

ATTENTION: Ne laissez pas la piscine sans surveillance quand vous la remplissez d'eau.

- Remplissez la piscine jusqu'à ce que l'eau atteigne la ligne de soudure située entre 12 cm et 20 cm (4,7"-7,9") du haut de la piscine. **NE PAS TROP LA REMPLIR**, car la piscine pourrait s'effondrer. En cas de fortes pluies, vous devrez peut-être vider une partie de l'eau pour vous assurer que le niveau est correct.
- Lorsque le remplissage de la piscine est achevé, contrôlez que l'eau ne se rassemble pas d'un côté pour s'assurer que la piscine est bien nivelée. **IMPORTANT :** Si la piscine n'est pas nivelée, enlevez l'eau et nivelez de nouveau le sol en le creusant. N'essayez jamais de déplacer la piscine avec de l'eau à l'intérieur, cela pourrait provoquer de graves blessures ou endommager la piscine. **ATTENTION :** Votre piscine peut contenir une forte pression. Si votre piscine présente des renflements ou un côté non uniforme, alors elle n'est pas nivelée; les côtés pourraient éclater et l'eau se déverser brusquement en provoquant des blessures et/ou des dommages aux biens.
- Vérifiez que la piscine ne présente aucune fuite au niveau des valves ou des coutures, contrôlez qu'il n'y ait aucune perte d'eau visible. N'ajoutez aucun produit chimique tant que cela n'a pas été fait.

EL ΓΕΜΙΣΜΑ ΤΗΣ ΠΙΣΙΝΑΣ ΜΕ ΝΕΡΟ

ΠΡΟΣΧΗ: ΜΗΝ ΑΦΗΝΕΤΕ ΤΗΝ ΠΙΣΙΝΑ ΧΩΡΙΣ ΕΠΙΒΛΕΨΗ ΚΑΤΑ ΤΟ ΓΕΜΙΣΜΑ ΜΕ ΝΕΡΟ.

- ΓΕΜΙΣΤΕ ΤΗΝ ΠΙΣΙΝΑ ΜΕΧΡΙ ΤΟ ΝΕΡΟ ΝΑ ΦΘΑΣΕΙ ΣΤΗ ΓΡΑΜΜΗ ΣΥΓΚΟΛΛΗΣΗΣ Η ΟΠΟΙΑ ΒΡΙΣΚΕΤΑΙ 4,7" - 7,9" ΙΝΤΣΕΣ (12 - 20 ΕΚΑΤΟΣΤΑ) ΑΠΟ ΤΗΝ ΚΟΡΥΦΗ ΤΗΣ ΠΙΣΙΝΑΣ. **ΜΗΝ ΤΗΝ ΠΑΡΑΓΕΜΙΖΕΤΕ** ΚΑΘΩΣ ΑΥΤΟ ΜΠΟΡΕΙ ΝΑ ΠΡΟΚΑΛΕΣΕΙ ΤΗΝ ΚΑΤΑΡΡΕΥΣΗ ΤΗΣ ΠΙΣΙΝΑΣ. ΣΕ ΠΕΡΙΟΔΟΥΣ ΕΝΤΟΝΩΝ ΒΡΟΧΟΠΤΩΣΕΩΝ ΕΝΔΕΧΟΜΕΝΩΣ ΝΑ ΧΡΕΙΑΣΤΕΙ ΝΑ ΔΕΔΙΑΣΤΕΙ ΛΙΓΗ ΠΟΣΟΤΗΤΑ ΝΕΡΟΥ ΟΣΤΕ ΝΑ ΔΙΑΣΦΑΛΙΣΤΕΙ ΟΤΙ Η ΣΤΑΘΜΗ ΕΙΝΑΙ ΣΩΣΤΗ.
- ΟΤΑΝ ΟΛΟΚΛΗΡΩΘΕΙ Η ΠΛΗΡΩΣΗ ΤΗΣ ΠΙΣΙΝΑΣ, ΕΛΕΓΕΤΕ ΟΤΙ ΤΟ ΝΕΡΟ ΔΕ ΜΑΖΕΥΕΤΑΙ ΣΕ ΟΠΟΙΑΔΗΠΟΤΕ ΠΛΕΥΡΑ ΓΙΑ ΝΑ ΒΕΒΑΙΩΘΕΙΤΕ ΟΤΙ Η ΠΙΣΙΝΑ ΕΙΝΑΙ ΕΠΙΠΕΔΗ. **ΣΗΜΑΝΤΙΚΟ:** ΑΝ Η ΠΙΣΙΝΑ ΔΕΝ ΕΙΝΑΙ ΕΠΙΠΕΔΗ, ΠΑΡΟΧΕΤΕΥΣΤΕ ΤΟ ΝΕΡΟ ΚΑΙ ΕΠΑΝΙΣΤΩΣΤΕ ΤΟ ΕΔΑΦΟΣ ΜΕ ΕΚΣΚΑΦΗ. ΜΗΝ ΕΠΙΧΕΙΡΗΣΤΕ ΝΑ ΜΕΤΑΚΙΝΗΣΤΕ ΤΗΝ ΠΙΣΙΝΑ ΜΕ ΝΕΡΟ ΜΕΣΑ ΣΕ ΑΥΤΗΝ. ΜΠΟΡΕΙ ΝΑ ΠΡΟΚΛΗΘΕΙ ΣΟΒΑΡΟΣ ΑΤΟΜΙΚΟΣ ΤΡΑΥΜΑΤΙΣΜΟΣ Ή ΚΑΙ ΒΛΑΒΗ ΣΤΗΝ ΠΙΣΙΝΑ. **ΠΡΟΕΙΔΟΠΟΙΗΣΗ:** Η ΠΙΣΙΝΑ ΣΑΣ ΜΠΟΡΕΙ ΝΑ ΠΕΡΙΚΛΑΙΕΙ ΜΕΓΑΛΗ ΠΙΕΣΗ. ΑΝ Η ΠΙΣΙΝΑ ΕΧΕΙ ΚΑΠΟΙΑ ΠΡΟΕΞΟΧΗ Ή ΑΝΩΜΑΛΗ ΠΛΕΥΡΑ, ΤΟΤΕ Η ΠΙΣΙΝΑ ΔΕΝ ΕΙΝΑΙ ΕΠΙΠΕΔΗ, ΟΙ ΠΛΕΥΡΕΣ ΜΠΟΡΟΥΝ ΝΑ ΕΚΡΑΓΟΥΝ ΚΑΙ ΤΟ ΝΕΡΟ ΜΠΟΡΕΙ ΝΑ ΥΠΕΡΧΕΙΛΙΣΕΙ Ή ΖΑΦΝΙΚΑ, ΠΡΟΚΑΛΩΝΤΑΣ ΣΟΒΑΡΟ ΑΤΟΜΙΚΟ ΤΡΑΥΜΑΤΙΣΜΟ Ή ΚΑΙ ΒΛΑΒΗ ΣΕ ΑΤΟΜΙΚΗ ΙΔΙΟΚΤΗΣΙΑ.
- ΕΛΕΓΕΤΕ ΤΗΝ ΠΙΣΙΝΑ ΓΙΑ ΤΥΧΟΝ ΔΙΑΡΡΟΕΣ ΣΤΙΣ ΒΑΒΙΔΕΣ Ή ΣΤΙΣ ΡΑΦΕΣ, ΚΑΙ ΕΛΕΓΕΤΕ ΓΕΝΙΚΑ ΤΗΝ ΟΠΟΙΑΔΗΠΟΤΕ ΕΜΑΦΑΝΗ ΑΠΛΟΕΙΑ ΝΕΡΟΥ. ΜΗΝ ΠΡΟΘΕΣΕΤΕ ΧΗΜΙΚΑ ΜΕΧΡΙ ΝΑ ΟΛΟΚΛΗΡΩΘΕΙ ΑΥΤΟΣ Ο ΕΛΕΓΧΟΣ.

RU НАПОЛНЕНИЕ БАССЕЙНА ВОДОЙ

ВНИМАНИЕ: Не оставляйте бассейн без внимания, когда он наполняется водой.

- Наполняйте бассейн, пока вода не достигнет линии

сварки, расположенной на 12-20 см (4,7-7,9 дюйма) ниже верха бассейна. **НЕ НАЛИВАЙТЕ СЛИШКОМ МНОГО ВОДЫ**, так как бассейн потеряет устойчивость и может перевернуться. В случае сильного удочка вам может понадобиться слить некоторое количество воды из бассейна, чтобы уровень воды не превысил допустимый предел.

- По завершении наполнения бассейна, убедитесь в том, что бассейн установлен ровно, проверьте, не перетекает ли вода к одному краю. **ВАЖНО!** Если бассейн установлен неровно, слейте воду и выровняйте площадку, подкопав землю. Никогда не пытайтесь передвигать бассейн с находящейся в нем водой, можно получить травму или повредить бассейн. **ВНИМАНИЕ:** Внутри бассейна может накапливаться высокое давление. Если одна из стенок бассейна неровная, или на ней выделяется выпуклость, значит, бассейн установлен неровно, стенки могут внезапно поворачиваться, и вода вытечь, что приведет или к травме, или к материальному ущербу.
- Проверьте клапаны и швы на предмет протечки, а также в случае явного уменьшения объема воды. Не добавляйте химикаты, пока эта проверка не будет выполнена.

PL NAPIELNIANIE BASENU

OSTRZEŻENIE: Podczas napełniania basenu wodą nie zostawij go bez nadzoru.

- Napełnij basen, aż woda osiągnie linię zgrzewczą znajdującą się 4,7"-7,9" (12cm-20cm) od góry basenu. **NIE PRZEPĘLNIJ**, ponieważ może to spowodować zniszczenie się basenu. W czasie intensywnych opadów może być konieczne opróżnienie części wody, aby utrzymać prawidłowy poziom wody.
- Kiedy napełnianie basenu jest zakończone, sprawdź, czy woda nie zbiera się po bokach, co oznacza, że basen stoi równo. Jeżeli basen nie stoi równo, spuść wodę i wyrównaj ponownie podłoże, podkopując ziemię. **WAŻNE:** Nigdy nie próbuj przesuwać basenu z wodą, ponieważ to grozi poważnymi obrażeniami ciała lub może spowodować uszkodzenie basenu. **OSTRZEŻENIE:** Woda może wywierać na basen wysokie ciśnienie. Jeśli twój basen ma jakieś wybrzuszenie lub któraś strona jest nierówna, oznacza to, że basen stoi nierówno, boki mogą pęknąć, a woda nagle wypłynąć, powodując poważne obrażenia ciała i/lub straty materialne.
- Sprawdź basen pod kątem wycieków w zavorach lub szwach, sprawdź wszelkie ewidentne straty wody. Nie dodawaj chemikaliów, dopóki nie zostanie to zrobione.

HU A MEDENCE FELTÖLTÉSE VÍZZEL

VIGYÁZAT: A víz töltése közben a medencét ne hagyja felügyelet nélkül.

- Addig töltse a medencét vízzel, amíg a vízszint eléri a medence tetejéről 4,7-7,9 hüvelykre (12-20 cm-re) lévő hegesztési vonalat. **NE TÖLTSE TÚL**, mivel ez a medence öszzedőlését okozhatja. Nagy esőzés idején előfordulhat, hogy némi vizet ki kell engednie a medencéből a helyes vízszint biztosításához.
- A végzett a medence feltöltésével, ellenőrizze, hogy a víz szintje a medencében mindenhol egyenlő-e. Ha a víz szintje nem egyenlő, eressze le a vizet és egyengesse ki a talajt ásóval. **FONTOSS:** Sohasem próbálja a medencét arrébb vinni, ha abban víz van, mivel az testi sérülést vagy a medence károsodását okozhatja.
- Ellenőrizze a medencét bármilyen szivárgás tekintetében a szelepeknél és varratoknál, illetve nyilvánvaló vízvesztéses ügyében. Ne adjon hozzá vegyszereket addig, amíg ezt el nem végezte.

SV ATT FYLLA POOLEN MED VATTEN

VARNING: Lämna inte poolen utan tillsyn då den är fylld med vatten.

- Fyll poolen tills vattnet når den svetsade linjen, 12-20 cm (4,7"-7,9") från poolens översta kant. **FYLL INTE PA FÖR**

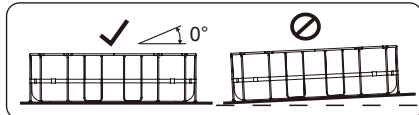
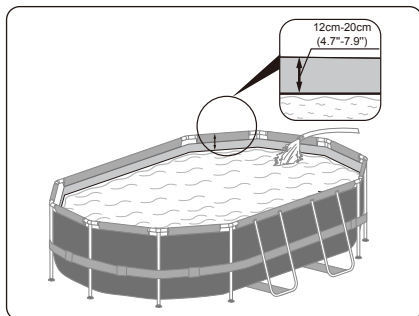
MYCKET eftersom detta skulle kunna leda till att poolen kollapsar. Om det regnar mycket kan du behöva tömma ut lite av poolvattnet för att säkerställa korrekt vattennivå.

2. När fyllningen av poolen avslutats, kontrollera att vattnet inte samlas på någon av sidorna för att se till att poolen är jämn.

VIKTIGT: Om poolen inte är jämn ska du tömma ut vattnet och göra marken jämn genom att gräva ut den. Försök aldrig flytta poolen om den innehåller vatten. Annars kan allvariga personskador eller materiella skador uppstå.

WARNING: Din pool kan innehålla en stor mängd tryck. Om din pool har en utstående sida eller en ojämn sida, är poolen inte jämn. Sidorna kan explodera och vattnet plötsligt tömmas ut vilket kan leda till personskador och/eller materiella skador.

3. Kontrollera poolen för eventuella läckor vid ventiler eller sömmar. Kontrollera även uppenbara vattenförluster. Tillsatt inga kemikalier tills detta är utfört.



For support please visit us at:
bestwaycorp.com/support

©2021 Bestway Inflatables & Material Corp.

All rights reserved/Tous droits réservés/Todos los derechos reservados/Alle Rechte vorbehalten/Tutti i diritti riservati

Trademarks used in some countries under license from/

Marques utilisées dans certains pays sous la licence de/

Marcas comerciales utilizadas en algunos países bajo la licencia de/

Die Warenzeichen werden in einigen Ländern verwendet unter Lizenz der/

Marchi utilizzati in alcuni paesi concessi in licenza a

Bestway Inflatables & Material Corp., Shanghai, China

Manufactured, distributed and represented in the European Union by/

Fabriqué, distribués et représentés dans l'Union Européenne par/Fabricado, distribuido y representado en la Unión Europea por/

Hergestellt, vertrieben und in der Europäischen Union vertreten von/Prodotto, distribuito e rappresentato nell'Unione Europea da

Bestway (Europe) S.r.l., Via Resistenza, 5, 20098 San Giuliano Milanese (Milano), Italy

Distributed in Latin America by/Distribué en Amérique latine par/Distribuido en Latinoamérica por/Distribuido na América Latina por

Bestway Central & South America Ltda, Salar Ascotan 1282, Parque Enea, Pudahuel, Santiago, Chile

Distributed in Australia & New Zealand by **Bestway Australia Pty Ltd, Unit 2/98-104 Carnarvon St Silverwater, NSW 2128, Australia**

Tel: Australia: (+61) 29 0371 388; New Zealand: 0800 142 101

Distributed in United Kingdom by **Bestway Corp UK Ltd, 8 Wentworth Road, Heathfield Industrial Estate, Newton Abbot, Devon, TQ12 6TL**

Exported by/Exporté par/Exportado por/Exportiert von/Esportato da

Bestway (Hong Kong) International Ltd./Bestway Enterprise Company Limited

Suite 713, 7/Floor, East Wing, Tsim Sha Tsui Centre, 66 Mody Road, Kowloon, Hong Kong

Tel: +86 21 69135588 (For U.S. and Canada)

www.bestwaycorp.com

Bestway

Bestway[®]

58331

www.bestwaycorp.com

1.22m (48") Pool Ladder Model: 58331 OWNER'S MANUAL

Read all the instructions before assembling / using the ladder.

WARNING

Locate ladder on a solid base.

Only one person should use the ladder at a time.

The ladder shall be installed per manufacturer's instructions.

When entering/exiting the pool, face the ladder at all times.

Secure ladder when the pool is not occupied or there is no adult.

No person should ever attempt to dive from ladder, pool side, or nearby object.

The ladder should only be placed in the pool when proper adult supervision is present and attentive.

Pool users should swim and play away from ladder area. Ladder may cause injury to pool users if not regarded as a potential hazard.

Always check ladder assembly screws and retention clips, splinters or any sharp edges before use.

Monitor bolts and keep them away from children.

This ladder is designed to be used in the pool for entering / exiting. Do not use the ladder for any other purpose.

Keep all small ladder parts out of the reach of children.

The ladder is not a toy, use caution when using. Ignoring maintenance requirements may result in serious health risks, especially for children.

SPECIFICATION

Maximum load weight: 150kg (330lbs).

The 1.22m (48") ladder is designed and manufactured for maximum 1.22m (48") wall height and 30cm (11.8") wall width pools.

Échelle de piscine de 1,22 m (48 po) Modèle : 58331 NOTICE D'UTILISATION

Lisez toutes les instructions avant de monter / d'utiliser l'échelle.

ATTENTION

Placez l'échelle sur une base solide.

Une seule personne à la fois peut utiliser l'échelle.

L'échelle doit être installée conformément aux instructions du fabricant. Quand vous entrez dans la piscine ou que vous en sortez, vous devez toujours être face à l'échelle. Sécurisez l'échelle quand la piscine n'est pas occupée ou qu'aucun d'adulte n'est présent.

Personne ne doit jamais tenter de plonger à partir de l'échelle, du bord de la piscine ou d'un objet proche.

L'échelle ne doit être placée dans la piscine que sous la supervision attentive d'un adulte.

Les utilisateurs de la piscine doivent nager et jouer loin de l'échelle. L'échelle peut blesser les

utilisateurs de la piscine s'ils ne la considèrent pas comme un éventuel danger.

Contrôlez toujours les vis de montage et les fixations, l'écaillage ou toute arête vive avant l'utilisation.

Supervisez les boulons et gardez-les loin des enfants.

Cette échelle est conçue pour être utilisée pour entrer / sortir de la piscine. N'utilisez pas l'échelle pour aucun autre usage.

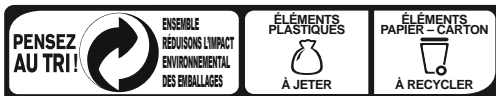
Conservez toutes les petites pièces de l'échelle hors de portée des enfants. L'échelle n'est pas un jouet, faites attention quand vous l'utilisez.

Le non-respect des exigences d'entretien peut entraîner des dangers sérieux pour la santé, en particulier chez les enfants.

CARACTÉRISTIQUES

Charge maximale : 150 kg (330 lbs).

L'échelle de 1,22 m (48 po) est conçue et fabriquée pour des piscines ayant une hauteur de paroi de 1,22 m (48 po) et une largeur de paroi de 30 cm (11,8 po) maximum.



CONSIGNE POUVANT VARIER LOCALEMENT > WWW.CONSIGNESDETFR.FR



1,22m (48") Poolleiter Modell: 58331 BENUTZERHANDBUCH

Lesen Sie die Anleitung aufmerksam durch, bevor Sie die Leiter montieren/verwenden.

ACHTUNG

Platzieren Sie die Leiter auf einem festen Untergrund.

Erlauben Sie jeweils nur einer Person gleichzeitig die Benutzung der Leiter.

Die Leiter muss gemäß der Anweisungen des Herstellers installiert werden.

Wenden Sie sich beim Betreten/Verlassen des Pools stets der Leiter zu.

Sichern Sie die Leiter, wenn sich niemand im Pool befindet oder kein Erwachsener zugegen ist.

Es darf niemals versucht werden, Tauchsprünge von der Leiter, der Poolseite

oder sonstigen Objekten in der Nähe auszuführen.

Die Leiter darf nur im Pool platziert werden, wenn eine aufmerksame

Bauführung durch Erwachsene gewährleistet ist.

Schwimm- und Spielaktivitäten innerhalb des Pools müssen außerhalb des Leiterbereichs erfolgen. Wenn die Leiter nicht als potenzieller Gefahrenherd angesehen wird, kann dies zu Verletzungen führen.

Überprüfen Sie vor jeder Benutzung die Montageschrauben und

Halteklammern sowie sämtliche scharfen Kanten.

Prüfen Sie die Verschraubungen und bewahren Sie diese für Kinder unzugänglich auf.

Diese Leiter ist zur Verwendung im Pool konstruiert, um diesen zu betreten/verlassen. Verwenden Sie die Leiter niemals für andere Zwecke.

Bewahren Sie sämtliche Kleinteile der Leiter außerhalb der Reichweite von

Kindern auf. Die Leiter ist kein Spielzeug. Benutzen Sie die Leiter mit

entsprechender Vorsicht.

Eine Nichtbeachtung der Betriebsanweisung kann zu ernstem

Gesundheitsgefahren führen, besonders für Kinder.

TECHNISCHE DATEN

Maximale Tragfähigkeit: 150kg (330lbs).

Die 1,22m (48") Leiter wurde für Pools mit einer Wandhöhe von maximal 1,22m (48") und einer Wandbreite von maximal 30cm (11,8") entwickelt und hergestellt.

Scaletta per piscina da 1,22m Modello: 58331 MANUALE D'USO

Leggere tutte le istruzioni prima di montare/usare la scaletta.

AVVERTENZA

Collocare la scaletta su una base solida.

La scaletta deve essere usata solo da una persona alla volta e installata attenendosi alle istruzioni del produttore.

Entrare e uscire dalla piscina sempre rivolti verso la scaletta.

Sbarrare la scaletta quando la piscina non è occupata o in assenza di adulti.

Nessuno deve tentare di tuffarsi dalla scaletta, dal bordo della piscina o da oggetti vicini.

La scaletta deve essere collocata nella piscina solo in presenza di un'adeguata e attenta supervisione da parte di un adulto.

Si raccomanda di nuotare e giocare lontano dalla scaletta. Se

non considerata come un potenziale pericolo, la scaletta può causare lesioni agli utenti della piscina.

Prima dell'uso, controllare sempre le viti di montaggio, i morsetti di tenuta della scaletta ed eventuali schegge o bordi appuntiti.

Controllare i bulloni e tenerli lontano dai bambini.

La scaletta è stata progettata per essere collocata nella piscina e utilizzata per entrarvi e uscirvi. Non utilizzarla per altri scopi.

Tenere tutti i componenti piccoli della scaletta fuori dalla portata dei bambini. La scaletta non è un giocattolo, utilizzarla con cautela.

Ignorare i requisiti di manutenzione potrebbe causare gravi rischi

per la salute, soprattutto per i bambini.

SPECIFICHE

Peso massimo di carico: 150kg.

La scala da 1,22m è progettata e prodotta per piscine con un'altezza di 1,22m e una larghezza massima della parete di 30cm.

1,22m (48") Zwembadladder
Model: 58331
GEBRUIKERSHANDLEIDING

Lees alle instructies vooraleer de ladder te monteren/te gebruiken.

WAARSCHUWING

Plaats de ladder op een stevige ondergrond.
Slechts één persoon kan de ladder tegelijkertijd gebruiken.
De ladder moet volgens de instructies van de fabrikant geïnstalleerd worden. Bij het in/uitstappen van het zwembad moet men steeds met het gezicht uitzien op de ladder. Bevestig de ladder wanneer er niemand in het zwembad is.
Men mag niet duiken van op de ladder, de zijkant van het zwembad of een object in de buurt van het zwembad.
De ladder mag enkel in het zwembad geplaatst worden wanneer een volwassene aanwezig en oplettend is.
Gebruikers van het zwembad moeten zwemmen en spelen op een afstand van het laddergebied. De ladder kan letsels veroorzaken bij zwembadgebruikers indien deze niet als een potentieel gevaar wordt beschouwd.
Controleer altijd de ladderomtagenschroeven en retentieclips, splinters of andere scherpe randen vóór gebruik.
Controleer de bouten en houd ze op een afstand van kinderen. Deze ladder is ontworpen om in- of uit het zwembad te stappen.
Gebruik de ladder niet voor andere doeleinden.
Houd alle kleine ladderonderdelen buiten het bereik van kinderen. De ladder is geen speelgoed, wees voorzichtig bij het gebruik.
Het negeren van de onderhoudsvereisten kan resulteren in ernstige gezondheidsrisico's, vooral voor kinderen.

SPECIFICATIE

Maximum draaggewicht: 150kg (330lbs).
De ladder van 1,22m (48") ladder is ontworpen en gemaakt voor een wandhoogte van 1,22m (48") en voor zwembaden met een wandbreedte van maximum 30cm (11,8").

1,22m bassinstige
Model: 58331
BRUGERVEJLEDNING

Læs hele vejledning, før stigen samles/bruges.

ADVARSEL

Placer stigen på et fast underlag.
Stigen må kun bruges af én person ad gangen.
Stigen skal monteres som beskrevet i producentens vejledning. Ved i-/udstigning af bassinet skal man altid vende ind mod stigen. Stigen skal sikres mod brug, hvis der ikke er nogen i bassinet, eller hvis der ikke er voksne tilstede.
Ingen må på noget tidspunkt forsøge at dykke fra stigen, bassinkanten eller genstande i nærheden.
Stigen må kun placeres i bassinet, når der er voksen person tilstede og holder tæt opsyn.
Bassinbrugerne skal svømme og lege på afstand fra stigen. Stigen kan anrette personskader på bassinets brugere, hvis den ikke betragtes som et muligt faremoment.
Kontroller altid stigenes samleskruer og holdclips, og hold øje med splinter og skarpe kanter før brug.
Hold øje med bolte og hold børn på afstand af dem.
Stigen er kun beregnet til brug, når der trædes i og ud af bassinet. Brug ikke stigen til noget andet formål.
Hold alle små stigeledede ude af børns rækkevidde. Stigen er ikke et legetøj, vær forsigtig, når den bruges.
Forsømmelse af nødvendigt vedligehold kan medføre alvorlige skader på helbredet, især for børn.

SPECIFIKATIONER

Maksimum belastning: 150kg.
Stigen på 1,22m er konstrueret og fremstillet til en væghøjde på 1,22m og en bassinvægsbredde på maksimum 30cm.

Escalera de piscina de 1,22m (48")
Modelo: 58331
MANUAL DE INSTRUCCIONES

Lea todas las instrucciones antes de utilizar la escalera.

ADVERTENCIA

Coloque la escalera sobre una base sólida.
Los usuarios deben usar la escalera de uno en uno.
La escalera debe instalarse según las instrucciones del fabricante. Colóquese siempre de cara a la escalera al entrar o salir de la piscina. Guarde la escalera cuando la piscina no esté en uso o no haya un adulto presente.
No zambullirse desde la escalera, el borde de la piscina o un objeto cercano.
La escalera solo debe colocarse en la piscina en presencia de supervisión adulta adecuada y atenta.
Se recomienda nadar y jugar lejos de la zona de la escalera. La escalera podría causar lesiones a los usuarios de la piscina si no se la considera como un riesgo potencial.
Compruebe siempre los tornillos y los clips de retención de la escalera, la presencia de astillas o cualquier borde puntiagudo antes del uso.
Compruebe los tornillos y manténgalos alejados de los niños.
Esta escalera ha sido diseñada para entrar y salir de la piscina. No utilice la escalera para usos distintos.
Mantenga las piezas pequeñas fuera del alcance de los niños.
La escalera no es un juguete, úsela con cuidado.
Ignorar los requisitos de mantenimiento podría comportar graves riesgos para la salud, especialmente para los niños.

ESPECIFICACIONES

Peso máximo de carga: 150kg (330lbs).
La escalera de 1,22m (48") ha sido diseñada y fabricada para piscinas con paredes de 1,22m (48") de altura y 30cm (11,8") de ancho como máximo.

Escada de Piscina 1,22m (48")
Modelo: 58331
MANUAL DO PROPRIETÁRIO

Leia todas as instruções antes de montar / utilizar a escada.

ATENÇÃO

Coloque a escada numa base sólida.
A escada deve ser utilizada apenas por uma pessoa de cada vez.
A escada deve ser instalada de acordo com as instruções do fabricante. Quando entrar/sair da piscina, coloque-se sempre voltado para a escada. Coloque a escada em segurança quando a piscina não estiver ocupada ou na ausência de adultos.
Ninguém deve tentar, sob forma alguma, mergulhar da escada, da lateral da piscina ou objecto próximo.
A escada só deve ser colocada na piscina com supervisão atenta de adultos.
Os utilizadores da piscina devem nadar e brincar afastados da zona da escada. A escada pode causar ferimentos aos utilizadores caso não seja considerada como um perigo potencial.
Verifique sempre os parafusos de fixação e os clips de retenção da escada, farpas ou qualquer aresta afiada antes de a utilizar.
Monitorize os parafusos e mantenha-os afastados das crianças.
Esta escada foi concebida para ser utilizada na entrada / saída da piscina. Não utilize a escada para qualquer outra finalidade.
Mantenha todas as partes pequenas da escada longe do alcance das crianças. A escada não é um brinquedo, utilize-a com precaução.
Caso ignore as normas de manutenção isso pode resultar em riscos sérios para a saúde, especialmente para as crianças.

ESPECIFICAÇÕES

Carga máxima: 150kg (330lbs).
A escada de e 1,22m (48") está concebida e fabricada para uma altura de parede de 1,22m (48") e um máximo de 30cm (11,8") de espessura da parede das piscinas.

ΣΚΑΛΑ ΠΙΣΙΝΑΣ 1,22μ (48")
ΜΟΝΤΕΛΟ: 58331
ΕΓΧΕΙΡΙΔΙΟ ΧΡΗΣΤΗ

ΔΙΑΒΑΣΤΕ ΟΛΕΣ ΤΙΣ ΟΔΗΓΙΕΣ ΠΡΙΝ ΑΠΟ ΤΗ ΣΥΝΑΡΜΟΛΟΓΗΣΗ / ΧΡΗΣΗ ΤΗΣ ΣΚΑΛΑΣ.

ΠΡΟΕΙΔΟΠΟΙΗΣΗ

ΤΟΠΟΘΕΤΗΣΤΕ ΤΗ ΣΚΑΛΑ ΣΕ ΜΙΑ ΣΤΑΘΕΡΗ ΒΑΣΗ.
ΜΟΝΟ ΕΝΑ ΑΤΟΜΟ ΘΑ ΠΡΕΠΕΙ ΝΑ ΧΡΗΣΙΜΟΠΟΙΕΙ ΤΗ ΣΚΑΛΑ ΚΑΘΕ ΦΟΡΑ.
Η ΣΚΑΛΑ ΠΡΕΠΕΙ ΝΑ ΕΓΚΑΤΑΣΤΑΘΕΙ ΣΥΜΦΩΝΑ ΜΕ ΤΙΣ ΟΔΗΓΙΕΣ ΤΟΥ ΚΑΤΑΣΚΕΥΑΣΤΗ. ΚΑΤΑ ΤΗΝ ΕΙΣΟΔΟ/ΕΞΟΔΟ ΑΠΟ ΤΗΝ ΠΙΣΙΝΑ, ΝΑ ΚΟΙΤΑΤΕ ΠΑΝΤΑ ΠΡΟΣ ΤΗ ΣΚΑΛΑ. ΑΣΦΑΛΙΣΤΕ ΤΗ ΣΚΑΛΑ ΟΤΑΝ Η ΠΙΣΙΝΑ ΔΕΝ ΕΙΝΑΙ ΚΑΤΕΙΛΑΜΜΕΝΗ Η ΟΤΑΝ ΔΕΝ ΥΠΑΡΧΕΙ ΚΑΠΟΙΟΣ ΕΝΗΛΙΚΑΣ. ΚΑΝΕΝΑΣ ΔΕΝ ΠΡΕΠΕΙ ΠΟΤΕ ΝΑ ΕΠΙΧΕΙΡΗΣΕΙ ΝΑ ΒΟΥΤΗΣΕΙ ΑΠΟ ΤΗ ΣΚΑΛΑ, ΑΠΟ ΤΗΝ ΠΛΕΥΡΑ ΤΗΣ ΠΙΣΙΝΑΣ, Η ΑΠΟ ΚΟΝΤΙΝΟ ΑΝΤΙΚΕΙΜΕΝΟ. Η ΣΚΑΛΑ ΘΑ ΠΡΕΠΕΙ ΝΑ ΤΟΠΟΘΕΤΗΘΕΙ ΣΤΗΝ ΠΙΣΙΝΑ ΜΟΝΟ ΟΤΑΝ ΥΠΑΡΧΕΙ ΣΩΣΤΗ ΕΠΙΒΛΕΨΗ ΑΠΟ ΕΝΗΛΙΚΑ.
ΟΙ ΧΡΗΣΤΕΣ ΤΗΣ ΠΙΣΙΝΑΣ ΘΑ ΠΡΕΠΕΙ ΝΑ ΚΟΛΥΜΠΟΥΝ ΚΑΙ ΝΑ ΠΑΙΖΟΥΝ ΜΑΚΡΙΑ ΑΠΟ ΤΗΝ ΠΕΡΙΟΧΗ ΤΗΣ ΣΚΑΛΑΣ. Η ΣΚΑΛΑ ΜΠΟΡΕΙ ΝΑ ΠΡΟΚΛΕΣΕΙ ΤΡΑΥΜΑΤΙΣΜΟ ΣΤΟΥΣ ΧΡΗΣΤΕΣ ΤΗΣ ΠΙΣΙΝΑΣ ΕΑΝ ΔΕΝ ΘΕΩΡΗΘΕΙ ΟΣ ΕΝΑΣ ΠΡΩΑΝΟΣ ΚΙΝΔΥΝΟΣ.
ΕΛΕΓΧΤΕ ΠΑΝΤΑ ΤΙΣ ΒΙΔΕΣ ΣΥΝΑΡΜΟΛΟΓΗΣΗΣ ΚΑΙ ΤΑ ΚΛΙΠ ΣΥΓΚΡΑΤΗΣΗΣ ΤΗΣ ΣΚΑΛΑΣ, ΓΙΑ ΑΚΙΔΕΣ Η ΑΙΧΜΗΡΕΣ ΑΚΜΕΣ ΠΡΙΝ ΑΠΟ ΤΗ ΧΡΗΣΗ.
ΠΑΡΑΚΟΛΟΥΘΕΙΤΕ ΤΑ ΜΠΟΥΛΟΝΙΑ ΚΑΙ ΚΡΑΤΗΣΤΕ ΤΑ ΜΑΚΡΙΑ ΑΠΟ ΠΑΙΔΙΑ.
Η ΣΚΑΛΑ ΑΥΤΗ ΕΧΕΙ ΣΧΕΔΙΑΣΤΕΙ ΓΙΑ ΝΑ ΧΡΗΣΙΜΟΠΟΙΕΙΤΑΙ ΣΤΗΝ ΠΙΣΙΝΑ ΓΙΑ ΤΗΝ ΕΙΣΟΔΟ / ΕΞΟΔΟ, ΜΗΝ ΧΡΗΣΙΜΟΠΟΙΕΙΤΕ ΤΗ ΣΚΑΛΑ ΓΙΑ ΟΥΠΟΙΟΝΔΗΠΟΤΕ ΑΛΛΟ ΣΚΟΠΟ.
ΚΡΑΤΗΣΤΕ ΟΛΑ ΤΑ ΜΙΚΡΑ ΕΞΑΡΤΗΜΑΤΑ ΤΗΣ ΣΚΑΛΑΣ ΜΑΚΡΙΑ ΑΠΟ ΠΑΙΔΙΑ. Η ΣΚΑΛΑ ΔΕΝ ΕΙΝΑΙ ΠΑΙΧΝΙΔΙ, ΕΠΙΔΕΙΞΤΕ ΠΡΟΣΟΧΗ ΚΑΤΑ ΤΗ ΧΡΗΣΗ ΤΗΣ.
Η ΠΑΡΑΒΛΕΨΗ ΤΩΝ ΑΠΑΙΤΗΣΕΩΝ ΣΥΝΤΗΡΗΣΗΣ ΜΠΟΡΕΙ ΝΑ ΠΡΟΚΛΕΣΕΙ ΤΙΣ ΖΩΒΑΡΟΥΣ ΚΙΝΔΥΝΟΥΣ ΓΙΑ ΤΗΝ ΥΓΕΙΑ, ΕΙΔΙΚΑ ΓΙΑ ΤΑ ΠΑΙΔΙΑ.

ΠΡΟΔΙΑΓΡΑΦΕΣ

ΒΑΡΟΣ ΜΕΓΙΣΤΟΥ ΦΟΡΤΙΟΥ: 150KG (330LBS).
Η ΣΚΑΛΑ 1,22μ (48") ΕΧΕΙ ΣΧΕΔΙΑΣΤΕΙ ΚΑΙ ΚΑΤΑΣΚΕΥΑΣΤΕΙ ΓΙΑ ΠΙΣΙΝΕΣ ΜΕ ΥΨΟΣ ΤΟΙΧΩΜΑΤΟΣ 1,22μ (48") ΚΑΙ ΜΕΓΙΣΤΟ ΠΛΑΤΟΣ ΤΟΙΧΩΜΑΤΟΣ 30εκm (11,8").

Bazénový schůdky 1,22m (48")
Model: 58331
PŘÍRUČKA PRO MAJITELE

Před sestavením a používáním bazénových schůdků si přečtěte veškeré pokyny.

UPOZORNĚNÍ

Umístěte schůdky na pevný podklad.
Na schůdkách smí stát vždy pouze jedna osoba.
Schůdky je třeba nainstalovat podle pokynů výrobce. Při vstupu a výstupu z bazénu stůjte vždy čelem ke schůdkům. Pokud v bazénu nikdo není nebo pokud bazén není pod dohledem dospělé osoby, schůdky zajistěte.
Za žádných okolností se nikdo nesmí pokoušet skákat ze schůdků, okraje bazénu nebo jiného objektu v blízkosti bazénu.
Schůdky umístějte do bazénu, pouze je-li přítomen dospělý dozor, který dává pozor.
Osoby v bazénu musí plavat a hrát si v bezpečné vzdálenosti od schůdků.
Pokud si nejste vědomi potenciálního rizika, mohou schůdky způsobit zranění osob v bazénu.
Před použitím vždy zkontrolujte šrouby a přichytné klipy schůdků a také těfsky nebo ostré hrany.
Sledujte šrouby a udržujte je mimo dosah dětí.
Tyto schůdky jsou určeny k použití ke vstupu do bazénu a výstupu z něj. Nepoužívejte je k žádnému jinému účelu.
Uchovávejte malé součásti schůdků mimo dosah dětí. Schůdky nejsou hračka, při jejich použití budete opatrní.
Nerespektování doporučení pro údržbu může vést k vážným zdravotním rizikům, zvláště u dětí.

TECHNICKÉ ÚDAJE

Maximální zatížení: 150 kg
Schůdky 1,22m (48") jsou určeny a vyrobeny pro použití s bazény, jejichž stěny jsou vysoké 1,22m (48") a mají maximální šířku 30cm (11,8").

Лестница для бассейна 1,22м.
№ модели: 58331
РУКОВОДСТВО ПОЛЬЗОВАТЕЛЯ

Прочитайте инструкцию до сборки и использования лестницы.

ВНИМАНИЕ

Разместите лестницу на твердой поверхности.
Лестницей не могут пользоваться несколько человек одновременно.
Лестница должна быть установлена в соответствии с инструкциями производителя.
При спуске в бассейн и подъеме из него необходимо всегда находиться лицом к лестнице.
Всегда обходите лестницу, когда бассейн не используется или когда поблизости нет взрослых.
Никогда не пытайтесь нырять в бассейн с лестницы, с бортика бассейна или любого другого находящегося поблизости предмета.
Опускайте лестницу в бассейн только тогда, когда поблизости находятся взрослые и внимательно следят за детьми.
Играя и плавая в бассейне, держитесь вдаль от лестницы.
Лестница может стать причиной травм, если не рассматривать ее как потенциально опасный предмет.
Перед тем, как использовать лестницу, всегда проверяйте надежность болтов и удерживающих кронштейнов, а также отсутствие на лестнице занос и острых краев.
Следите за болтами и храните их в недоступном для детей месте.
Лестница предусмотрена для использования во время спуска в бассейн и подъема из него.
Не используйте лестницу в других целях.
Храните все мелкие части лестницы в недоступном для детей месте.
Лестница - не игрушка, соблюдайте осторожность во время ее использования.
Несоблюдение правил установки и обслуживания лестницы может привести к серьезным травмам, особенно в случае детей.

ТЕХНИЧЕСКИЕ ХАРАКТЕРИСТИКИ

Максимальная допустимая нагрузка: 150 кг.
Лестница высотой 1,22м. предназначается для бассейна со стенками высотой 1,22м. И шириной максимум 30см.

1,22m bassengstige
Modell: 58331
BRUKERHÅNDBOK

Les alle instruksjonene før montering/bruk av stigen.

ADVARSEL

Plasser stigen på et solid underlag.
Bare en person bør bruke stigen om gangen.
Stigen skal installeres etter produsentens instruksjoner. Man skal alltid stå vendt mot stigen når man går inn/ut av bassenget. Sikre stigen når bassenget ikke er i bruk eller det ikke er en voksen der.
Forsøk aldri å stupe fra stigen, bassengkanten, eller fra noe objekt i nærheten.
Stigen bør bare plasseres i bassenget når en voksen er til stede og har tilsyn.
Bassengbrukere bør svømme og leke unna stigeområdet. Stigen kan forårsake skade for bassengbrukere dersom farene ikke blir tatt hensyn til.
Sjekk alltid stignens monteringskruene og holdeklemmene, og kontroller at det ikke finnesfiser eller skarpe kanter før bruk.
Ha oppsyn med bolter, og hold dem borte fra barn.
Denne stigen er konstruert for å komme seg opp i eller ut av bassenget. Bruk ikke treeten for noe annet formål.
Oppbevar alle små deler utenfor rekkevidde for barn. Stigen er ikke et leketøy, utvis forsiktighet ved bruk.
Hvis du unnlater å utføre påkrevd vedlikehold kan det føre til alvorlige helseerisiko, spesielt for barn.

SPESIFIKASJONER

Maksimum belastning: 150kg (330lbs).
Den 1,22m (48") høye stigen er konstruert og produsert for 1,22m (48") veggthøyde og bassenger med maksimum 30 centimeters (11,8") veggtykkelse.

1,22m (48") Poolstege Modell: 58331 ANVÄNDARENS HANDBOK

Läs alla instruktioner före montering / användning av stegen.

VARNING

Placera stegen på ett solitt underlag.

Bara en person i taget ska använda stegen.

Stegen skall installeras enligt tillverkarens instruktioner. När du går in i poolen eller går ur den, skall du alltid vara vänd mot stegen. Spärra stegen när poolen inte används eller det inte finns någon vuxen närvarande.

Ingen person skall någonsin försöka dyka från stegen, poolsidan eller näralliggande föremål.

Stegen skall bara vara placerad i poolen när gott vuxet överinseende är närvarande och observant.

Poolanvändare skall simma och leka bort från stegområdet. Stegen kan förorsaka skada på poolanvändarna om den inte betraktas som en möjlig fara.

Kontrollera alltid stegens monteringskruvar och fasthållningsklämmor, flisor eller skarpa eggar före användning.

Övervaka bultar och håll dem borta från barn.

Denna stege är utformad för att användas i poolen för att komma in och ut. Använd inte stegen för något annat ändamål.

Håll alla små delar av stegen utom räckhåll för barn. Stegen är inte en leksak, använd försiktighet vid användning.

Att ignorera underhållskrav kan resultera i allvarliga hälsorisker, speciellt för barn.

SPECIFIKATION

Maximal belastningsvikt: 150kg (330pund).

Stegen som är 1,22m (48tum) är utformad för en vägg höjd på 1,22m (48tum) och maximum 30cm (11,8tum) väggbreddspooler.

Uima-allastikkaat, 1.22m (48") Malli: 58331 KÄYTTÖOPAS

Lue kaikki ohjeet ennen tikkaiden kokoamista/käyttöä.

VAROITUS

Aseta tikkaat tukevalle alustalle.

Vain yksi henkilö kerralla saa käyttää tikkaita.

Tikkaat on asennettava valmistajan ohjeiden mukaisesti. Nouse ja laske tikkaita aina kasvat tikkaisiin päin. Varmista, että tikkaita ei voi käyttää, kun uima-allas ei ole käytössä tai lähettyvillä ei ole aikuisia.

Altaaseen ei koskaan saa sukeltaa tikkailla, altaan reunalta tai lähellä olevalla esineellä.

Tikkaat tulee asettaa altaaseen vain, kun uima-allasta valvoo aikuinen asianmukaisella tavalla.

Uima-altaan käyttäjien on pysyttävä leikkien aikana poissa tikkaiden läheisyydestä ja irtava poispuik tikkaisista. Tikkaat voivat vahingoittaa uima-altaan käyttäjiä, jos niihin ei suhtauduta asianmukaisella varovaisuudella.

Tarkista tikkaiden kokoamiseen käytetyt ruuvit, paikallaan pysymiseen käytetyt kiinnikkeet, mahdolliset terävät kulmat, kielekkeet, sälot, sirut yms. ennen käyttöä.

Tarkkaile muttereita ja pidä ne poissa lasten lähettyviltä.

Tikkaat on suunniteltu pidettäväksi vedessä altaaseen laskeutumista ja sieltä nousemista varten. Älä käytä tikkaita mihinkään muuhun tarkoitukseen.

Pidä tikkaiden kaikki pienet osat poissa lasten saatavilta. Tikkaat eivät ole lelu, niitä on käytettävä varovaisesti.

Huollon laiminlyönti voi aiheuttaa vakavia terveysriskejä erityisesti lapsille.

TEKNISET TIEDOT

Maksimikuorma: 150kg.

1,22m (48") tikkaat on suunniteltu ja valmistettu käytettäväksi uima-altaissa, joiden seinämän korkeus on enintään 1,22m (48") ja seinämän leveys enintään 30cm (11,8").

1,22m (48") Bazénové schodíky Model: 58331 NÁVOD NA POUŽITIE

Pred montážou/použitím schodíkov si prečítajte pokyny.

UPOZORNENIE

Schodíky postavte na pevný podklad.

Schodíky môže používať súčasne len jedna osoba.

Schodíky je potrebné nainštalovať v súlade s pokynmi výrobcu. Pri vstupovaní do bazéna/vystupovaní z bazéna stojte vždy tvárou k schodíkom. Ak bazén nepoužívate alebo nie sú prítomné žiadne dospelé osoby, schodíky zaisťte.

Skákanie zo schodíkov, bočnej steny bazéna alebo blízko stojaceho predmetu je nepripustné.

Bazénové schodíky môžu byť používané len v prípade, že je prítomná zodpovedná dospelá osoba.

Pri kúpaní v bazéne využívajte najmä priestor mimo dostupovej zóny schodíkov. Ak schodíky nie sú vrimané ako potenciálne riziko, môžu spôsobiť vážne poranenie osôb.

Pred použitím schodíkov vždy skontrolujte montážne skrutky a poistné spóny.

Spoje pravidelne kontrolujte a nedovoľte, aby sa s nimi hrali deti.

Tieto schodíky sú určené na vstupovanie do/vystupovanie z bazéna.

Schodíky nepoužívajte na žiadne iné účely.

Malé časti schodíkov uschovajte mimo dosahu detí. Schodíky nie sú hračka, pri ich používaní dbajte na bezpečnosť.

Nedodržavanie pokynov pre vykonávanie údržby môže mať za následok vážne poranenia, najmä u detí.

SPECIFIKÁCIA

Maximálne zaťaženie: 150kg (330lb).

1,22m (48") schodíky sú určené a vyrobené pre bazény s výškou steny maximálne 1,22m (48") a hĺbkou steny maximálne 30cm (11,8").

Drabina 1,22m do basenu Model: 58331 INSTRUKCIJA OBSŁUGI

Przed zmontowaniem/użyciem drabiny należy przeczytać wszystkie instrukcje.

OSTRZEŻENIE

Drabinę należy ustawić na stabilnym podłożu.

Z drabiny może zryść tylko jedna osoba naraz.

Drabina musi być instalowana zgodnie z instrukcjami producenta.

Osoby wchodzące do basenu lub z niego wychodzące muszą być przez cały czas zwrócone twarzą do drabiny. Jeżeli z basenu nie korzystają żadne osoby lub w pobliżu nie ma dorosłych, należy zabezpieczyć dostęp do drabiny.

Nie wolno skakać do basenu korzystając z drabiny, przegubi basenu lub przedmiotów w jego pobliżu. Drabinę wolno umieszczać w basenie wyłącznie pod warunkiem, że w pobliżu znajdują się osoby dorosłe.

Użytkownicy basenu powinni pływać i bawić się z dala od drabiny. Nie wolno ignorować zagrożenia, jakim dla użytkowników basenu może być drabina.

Zawsze przed użyciem należy sprawdzać śruby i zaczepy drabiny, a także upewnić się, że na drabinie nie ma żadnych odprysków ani ostrych krawędzi.

Należy pilnować wszystkich śrub i przechowywać je w miejscu niedostępnym dla dzieci.

Drabina służy do wchodzenia do basenu i wychodzenia z niego. Nie wolno używać drabiny do żadnych innych celów. Wszystkie drobne części drabiny należy przechowywać w miejscu niedostępnym dla dzieci. Drabina nie jest zabawką. Należy korzystać z niej ostrożnie.

Zaniebanie konserwacji może stwarzać poważne zagrożenie, w szczególności dla dzieci.

SPECYFIKACJE

Maksymalny udźwig: 150kg.

Drabina ma długość 1,22m i została zaprojektowana i wyprodukowana do użycia w basenach ze ścianami o wysokości 1,22m oraz grubości nieprzekraczającej 30cm.

1,22m-es (48") medencelétra Modell: 58331 HASZNÁLATI ÚTMUTATÓ

A létra összeszerelés és használata előtt, kérjük, olvassa el a teljes útmutatót.

FIGYELMEZTETÉS

A létrát szilárd aljzatra kell felállítani.

Egyszerre egy ember használja a létrát.

A létrát a gyártó útmutatója szerint kell összeszerelni. A medencébe való beszálláskor, illetve a medencéből való kiszálláskor mindig a létra fele nézve használja a létrát. Ha a medence nincs használatban, vagy nincs felnőtt felügyelet, biztosítsa a létrát.

Senki sem ugrhat a medencébe a létráról, a medence pereméről vagy közeli tárgyról.

A létra csak megfelelő és aktív felnőtt felügyelet esetén helyezhető be a medencébe.

A medencét használok lehetőleg a létra területtől távol úszsanak, illetve játszanak. A létra sérülést okozhat a medencét használókban, ha figyelmen kívül használják a sérülés veszélyét.

Használat előtt mindig ellenőrizze az összeszerelt létra csavarjait, tartókapcsait, illetve hogy nincsenek-e rajta szilánkos repedések vagy éles peremek.

Ellenőrizze a csavarokat, melyek gyermekek számára hozzáférhetetlen helyen tartandók.

Ez a létra a medencébe való beszállás, illetve a medencéből való kiszállás elősegítésére szolgál. Ne használja a létrát másra.

A kisméretű létraalkatrészek gyermekek számára hozzáférhetetlen helyen tartandók! A létra nem játék, használja körültekintően.

A karbantartási előírások figyelmen kívül hagyása különösen a gyermekek esetén, súlyos egészségügyi kockázatot jelenthet.

MŰSZAKI ADATOK

Maximális teherbírás: 150kg (330lbs).

A 1,22m-es (48") létra 1,22m-es (48") falgamasságú és maximum 30cm (11,8") falszélességű medencékhez lett tervezve.

1,22 m (48col.) baseino kopėčios Modelio: 58331 SAVININKO VADOVAS

Prieš surinkdami / naudodami kopėčias, perskaitykite instrukcijas.

ĮSPĖJIMAS

Pastatykite kopėčias ant tvirtu pagrindo.

Kopėčias reikia sumontuoti pagal gamintojo nurodymus. Įlipdami / išlipdami iš baseino, visada žiūrėkite į kopėčias. Kai baseinas yra tuščias arba jo neprižiūri suaugusieji, pritrivinkite kopėčias.

Draudžiama nerti nuo kopėčių, baseino krašto ar netoliese esančių daiktų. Kopėčias reikėtų įstatyti į baseiną esant tinkamai ir dėmesingai suaugusiųjų priežiūrai.

Baseino naudotojai turėtų plaukioti ir žaisti atokiau nuo kopėčių. Baseino naudotojai gali susižaloti į kopėčias, jei jos nelaikomos galimu pavojumi.

Visuomet prieš naudojimą patikrinkite kopėčių konstrukcijos varžtus ir fiksatorius, apžiūrėkite, kad nebūtų atplaišų ir aštrių kampų.

Patikrinkite varžtus ir laikykite juos toliau nuo vaikų.

Šias kopėčias reikia naudoti tik ilpti į baseiną ir iš jo išlipti. Nenaudokite kopėčių jokių kitu tikslu.

Visas smulkias kopėčių dalis laikykite vaikams nepasiekiamoje vietoje.

Kopėčios yra ne žaistas – naudokite jas atsargiai.

Priežiūros nurodymų nesilaikymas gali sukelti pavojų sveikatai, ypač vaikams.

SPECIFIKACIJOS

Didžiausia apkrova: 150kg (330sv.)

1,22m (48col.) kopėčios sukurtos ir pagamintos baseinams, kurių sienelių aukštis yra 1,22m (48col.), o plotis – 30cm (11,8col.).

1,22m (48") baseina kāpnes Modelis: 58331 LIETOTĀJA ROKASGRĀMATA

Izlasiet visus norādījumus pirms kāpņu salikšanas/izņemšanas.

BRĪDINĀJUMS

Novietojiet kāpnes uz cietas pamatnes.

Kāpnes vienlaicīgi var izmantot tikai viena persona.

Kāpnes ir jāuzstāda atbilstoši ražotāja norādījumiem. Kad iekāpjat/izkāpjat no baseina, vienmēr esiet ar seju pret kāpnēm.

Nostipriniet kāpnes, kad baseins netiek izmantots vai tuvumā nav pieaugušo.

Nedrīkst lēkt no kāpnēm, baseina malas vai tuvumā esošajiem priekšmetiem.

Kāpnes drīkst ievietot baseinā tikai pienācīgā pieaugušo uzraudzībā.

Baseinā jāpeld un jāspēlējās drošā atālumā no kāpnēm. Kāpnes var radīt traumas baseina lietotājiem, ja tās neuzskata par potenciālu bīstamības avotu.

Pirms izmantošanas vienmēr pārbaudiet kāpņu savienošanas skrūves un fiksatorus, un visas asās malas.

Uzraugiet aizbīdņus un turiet tos pa gabalu no bērniem.

Kāpnes ir paredzētas, lai iekāptu/izkāptu no baseina. Neizmantojiet kāpnes nekādiem citiem mērķiem.

Turiet visas mažas kāpņu daļas bērniem nesasniedzamā vietā. Kāpnes nav rotālieta, izmantojiet tās ar piesardzību.

Apkopas prasību ignorēšana var radīt nopietnus riskus, īpaši bērniem.

SPECIFIKĀCIJA

Maksimālās slodzes masa: 150kg (330mārciņus).

1,22m (48") kāpnes ir paredzētas un ražotas sienas augstumam 1,22m (48"), un maksimālā baseina sienas biezumam 30cm (11,8").

Bazenska lestev dolžine 1,22m (48") Model: 58331 UPORABNIŠKA NAVODILA

Pred montažo/porabo lestev v celoti preberite navodila.

OPOZORILO

Lestev postavite na trdno podlago.

Lestev naj uporabljate le ena oseba naenkrat.

Lestev namestite skladno z navodili proizvajalca. Ko vstopate v bazen ali iz njega izstopate, bodite vedno obrnjeni proti lestevi. Ko bazena ne uporabljate ali v bližini ni odraslih oseb, lestev zaščitite.

Nihče naj ne skače z lestev, s strani bazena ali z bližnjih predmetov.

Lestev postavite v bazen le, če je zagotovljen stalni nadzor odrasle osebe.

Kopalci v bazenu naj ne plavajo in se ne igrajo v bližini lestev.

Kopalci se na lestevi lahko poškodujejo, če je ne obravnavajo kot morebitne nevarnosti.

Pred uporabo lestev vedno preverite vse montažne vijake in pritrdilne sponke, okrušene dele in morebitne ostre robove.

Nadzirajte vijake in jih shranjajte zunaj dosega otrok.

Ta lestev je namenjena za vstopanje v bazen in izstopanje iz njega. Ne uporabljajte je v druge namene.

Vse majhne delce lestev shranjajte zunaj dosega otrok. Lestev ni igrača, zato bodite pri njeni uporabi previdni.

Neupoštevanje zahtev glede vzdrževanja lahko resno ogrozi zdravje uporabnikov, zlasti otrok.

SPECIFIKACIJE

Največja obremenitev: 150kg (330lbs).

1,22m (48") dolga lestev je zasnovana in izdelana za 1,22m (48") visoke in največ 30cm (11,8") debele stene bazena.

1,22m (48") Havuz Merdiveni

Model: 58331

KULLANIM KILAVUZU

Merdiveni kurup kullanmadan önce tüm talimatları okuyun.

UYARI

Merdiveni sağlam bir zemine yerleştirin.

Merdiveni bir seferde sadece bir kişi kullanabilir.

Merdiven mutlaka üreticinin talimatlarına göre kurulmalıdır. Havuza girip çıkarken yüzünüz mutlaka merdivene doğru baksın. Havuz dolu olmadığında veya yetişkin olmadığında merdiveni sabitleyin.

Kimsenin merdiven havuza, havuz kenarına veya başka cisimlerin üzerine atmasına izin vermayın.

Merdiven sadece çocukların başında her an hazır bekleyen bir yetişkin varsa havuza yerleştirilmelidir.

Havuz kullanıcıları merdivenin bulunduğu bölgeden uzakta yüzmeli ve oynamalıdır. Hiçbir tehlike yaratmayacağı düşünülerek dikkatli olunmaması halinde merdiven havuz kullanıcılarının yaralanmalarına neden olabilir.

Kullanmadan önce merdivenin montaj vidalarını, tutma klipslerini ve keskin kenarları kontrol edin.

Cıvataları izleyerek, çocuklardan uzak tutar.

Bu merdiven yalnızca havuza girip ve çıkış için kullanılmak üzere tasarlanmıştır. Başka bir amaçla kullanmayın.

Tüm küçük merdiven parçalarını çocukların erişemeyeceği yerde saklayın. Merdiven bir oyuncak değildir, kullanırken tedbirli olun.

Bakım gerekliliklerinin göz ardı edilmesi, özellikle çocuklar için ciddi sağlık risklerine yol açabilir.

ÖZELLİKLER

Azami yük kapasitesi: 150kg (330lbs).

1,22m (48") merdiven, 1,22m (48") duvar yüksekliğine ve en fazla 30cm (11,8") duvar genişliğine sahip havuzlar için tasarlanmış ve üretilmiştir.

Scară de piscină 1,22m (48")

Model: 58331

MANUALUL UTILIZATORULUI

Citiți toate instrucțiunile înainte de asamblarea/utilizarea scării.

AVERTISMENT

Amplasați scara pe o bază solidă.

Numai o singură persoană trebuie să utilizeze scara o dată.

Scara se va instala conform instrucțiunilor producătorului. Pentru intrarea/ieșirea din piscină, stați întotdeauna cu fața spre scară. Fixați scara atunci când piscina nu este folosită sau nu există adulți.

Nicio persoană nu trebuie să încerce să sară de pe scară, părțile laterale ale piscinei sau un obiect din apropiere.

Scara trebuie amplasată în piscină numai sub supravegherea adecvată și atentă a adulților.

Utilizatorii piscinei trebuie să înoate și se să joace la distanță de scară.

Scara poate cauza acestora vătămări dacă nu este considerată un potențial pericol.

Verificați întotdeauna șuruburile de asamblare și clemele de fixare înainte utilizării.

Monitorizați șuruburile și ferii-le de copii.

Scara se va folosi doar pentru a intra și a ieși din piscină. Nu folosiți scara în niciun alt scop.

Păstrați piesele mici ale scării departe de îndemâna copiilor. Scara nu este o jucărie, a se folosi cu atenție la utilizare.

Ignorarea cerințelor de întreținere poate duce la riscuri serioase de sănătate, în special pentru copii.

SPECIFICAȚIE

Sarcină maximă: 150kg (330livre).

Scara de 1,22m (48") este destinată și fabricată pentru piscine cu pereți înalți de 1,22m (48") piscine late cu pereți de maxim 30cm (11,8").

1,22m (48") Стълба за Басейн

Модел: 58331

РЪКОВОДСТВО НА ПОТРЕБИТЕЛЯ

Прочетете всички инструкции преди монтажа / използването на стълбата.

ВНИМАНИЕ

Поставете стълбата върху солидна основа.

Стълбата трябва да се използва само от един човек в даден момент.

Стълбата трябва да бъде монтирана съгласно инструкциите на производителя. При влизане/излизане от басейна, винаги заставайте обърнати с лице към стълбата. Обезопасете стълбата, когато басейнът не се използва или когато не присъства възрастно лице.

Никои не трябва никога да прави опити за гмуркане от стълбата, странично от басейна или от близки предмети. Стълбата трябва да се поставя в басейна, единствено когато съществува правилен надзор и присъствие на възрастно лице.

Потребителите на басейна трябва да плуват и да играят далеч от района на стълбата. Стълбата може да причини нараняване на потребителите, ако тя не се счита за потенциален риск.

Винаги проверявайте винтовете за сплобяване на стълбата и скобите за закрепване, за отломки или остри ръбове преди употреба.

Наблюдавайте болтовете и ги дръжте далеч от деца. Тази стълба е проектирана за да бъде употребявана в басейн за влизане / излизане. Не използвайте стълбата за никакви други цели.

Съхранявайте малките компоненти на стълбата далеч от достъпа на деца. Тази стълба не е играчка, бъдете внимателни, когато я използвате.

Неспазването на изискваната поддръжка може да доведе до сериозни рискове за здравето, особено за деца.

СПЕЦИФИКАЦИЯ

Максимално тегло на натоварване: 150kg (330lbs).

Стълбата с размер 1,22m (48") е произведена и проектирана за басейни с височина на стената 1,22m (48") и за басейни с максимална ширина на стената 30cm (11,8").

Bazenske ljestve - dužine 1,22m (48")

Model: 58331

KORISNIČKI PRIRUČNIK

Pročitajte sve upute prije sklopanja / korištenja ljestvi.

UPOZORENJE

Postavite ljestve na čvrstu podlogu.

Na ljestvama istovremeno ne stajati više od jedne osobe.

Ljestve morate postaviti prema uputama proizvođača. Licem morate biti okrenuti prema ljestvama uvijek kada ulazite ili izlazite iz bazena. Osigurajte ljestve kada ne koristite bazen ili ako bazen nije pod nadzorom odrasle osobe.

Nije dozvoljeno skakati u bazen s ljestvi, strane bazena ili obližnjih predmeta.

Postavite ljestve u bazen samo onda kada je uz njih prisutna odrasla osoba koja će nadgledati bazen.

Osobe u bazenu trebaju plivati ili se igrati podalje od područja u kojem se nalaze ljestve. Osobe u bazenu trebale bi smatrati ljestve kao potencijalnu opasnost koja bi im mogla prouzročiti određene ozljede.

Uvijek provjerite stanje vijaka za sastavljanje ljestvi i kvačica za učvršćivanje te postojanost krhotine i oštrih rubova prije uporabe ljestvi.

Provjerite matice i držite ih izvan doseg djece.

Ljestve su namijenjene za ulazanje / izlazanje iz bazena. Ne koristite ljestve u bilo koju drugu svrhu.

Držite sve manje dijelove ljestvi izvan doseg djece. Ljestve nisu igračka i stoga budite oprezni prilikom njihove uporabe. Nepravilno održavanje ljestvi može prouzročiti nastanak ozbiljnih opasnosti po zdravlje, a posebice za djecu.

ZNAČAJKE

Najveća nosivost ljestvi: 150kg (330lbs).

Ljestve dužine 1,22m (48") osmišljene su i namijenjene za bazene čije su bočne stjenke visoke 1,22m (48") maksimalno široke 30cm (11,8").

1,22m (48") Basseini redel
Mudel: 58331
KASUTUSJUHEND

Lugege enne kasutamist kõik juhised hoolikalt läbi.

HOIATUS

Paigutage redel tugevale alusele.

Redelili võib viibida ainult üks inimene korraga.

Redel tuleb paigaldada vastavalt tootja juhistele. Redelile / basseini mineku ajal olge kogu aeg näoga redeli poole. Kui basseini ei kasutata või see pole täiskasvanu järelevalve all, tuleb redel turvata.

Redelile ega selle tagant või ei tohi läheduses sukelduda.

Redel tuleb basseini paigaldada ainult täiskasvanu järelevalve ja tähelepanu all.

Basseini kasutajad ei tohi ujuda ja mängida redeli läheduses.

Redel võib basseini kasutajatele tekitada viigastusi, kui seda ei võeta arvesse, siis on see võimalik ohuallikas.

Enne redeli kasutusele võtmist kontrollige üle poldid, kinnitid, metallikid ja muud teravad kohad.

Vaadake poldid üle ja hoidke lapsed neist eemal.

See redel on ette nähtud kasutamiseks basseini sisene misel ja sellest väljumisel. Ärge kasutage redelit ühekski muuks otstarbeks.

Hoidke redeli väikeosad lastele kättesaamatus kohas. Redel ei ole mänguasi, olge selle kasutamisel ettevaatlik.

Juhiste eiramine võib põhjustada raskeid tervisriske, eriti lastele.

TEHNILISED ANDMED

Maksimaalne kandevõime: 150kg (330lbs).

Redel pikkusega 1,22m (48") on ette nähtud ja toodetud basseini seina kõrgusega 1,22m (48") basseiniidelemax 30cm (11,8").

1,22m (48") Ljestve za bazen
Model: 58331
UPUTSTVO ZA UPOTREBU

Pročitajte uputstvo pre sastavljanja / korištenja ljestvi.

UPOZORENJE

Postavite ljestve na tvrdi podlogu.

Jedna osoba može biti na ljestvama u određenom trenutku.

Ljestve trebaju biti postavljene po uputstvu proizvođača. Za ulazak / izlazak iz bazena, budite uvek licem okrenuti ka ljestvama. Osigurajte ljestve kad nema nikog u bazenu ili kad nema odraslih osoba.

Nijedna osoba ne bi nikad trebala skakati u vodu sa ljestvi, bazena ili obližnjeg predmeta.

Ljestve trebaju biti postavljene u bazen kada je bazen pod adekvatnim, pažljivim nadzorom.

Korisnici bazena trebaju plivati i igrati se dalje od područja ljestvi.

Ljestve mogu prouzrokovati povrede korisnika bazena ako nisu tretirane kao moguća opasnost.

Uvek proverite zavrtnje od ljestvi i zaštitne spojnice pre upotrebe, ima li krlhotina ili oštrih rubova pre upotrebe.

Nadzirite klinove i držite ih van domašaja dece.

Ove ljestve su dizajnirane za upotrebu u bazenu za ulazak / izlazak. Ne koristite ljestve u bilo koje druge svrhe.

Čuvajte sve male delove ljestvi van domašaja dece. Ljestve nisu igračka, budite oprezni kada ih koristite.

Nepridržavanje smernica za održavanje može rezultirati ozbiljnim zdravstvenim rizicima, posebno za decu.

SPECIFIKACIJE

Maksimalna nosivost: 150kg (330lbs).

Ljestve od 1,22m (48") su dizajnirane i proizvedene za bazene visine zidova 1,22m (48") i maksimalno 30cm (11,8") širine zidova bazena.

سلم حمام السباحة مقاس 1.22م (48")
موديل: دليل المالك 58331

اقرأ جميع التعليمات قبل تجميع/استخدام السلم.

تحذير

ضع السلم على قاعدة صلبة.

يجب أن يستخدم السلم شخص واحد فقط في المرة الواحدة.

يجب تركيب السلم وفقاً لتعليمات الشركة المصنعة. للدخول/الخروج من حمام السباحة، اجعل وجهك للسلم في جميع الأوقات. قم بتأمين السلم عندما يكون حمام السباحة خالياً من الأشخاص أو الكبار. لا يجب أن يحاول أي شخص الغوص من السلم أو من جانب حمام السباحة أو بالقرب من الأشياء.

يجب أن يوضع السلم فقط في حمام السباحة عندما يتوفر الإشراف المناسب من شخص بالغ أو واعي.

يجب على مستخدمي حمام السباحة العموم واللعب بعيداً عن منطقة السلم. قد يسبب السلم إصابات لمستخدمين حمام السباحة إذا لم يُنظر إليه كمصدر محتمل للخطر.

قم دائماً بفحص مسامير تجميع السلم ومشابك الحجز والشظايا أو أي حواف حادة قبل استخدامه.

راقب المسامير، وأبعد الأطفال عنها.

هذا السلم مصمم ليستخدم من أجل الدخول إلى/الخروج من حمام السباحة. لا تستخدم السلم لأي غرض آخر.

تحفظ جميع أجزاء السلم الصغيرة بعيداً عن متناول الأطفال. إن هذا السلم ليس مُصمماً للعب، استخدمه بحذر.




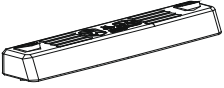

قد يؤدي تجاهل متطلبات الصيانة إلى حدوث مخاطر صحية خطيرة خاصة على الأطفال.

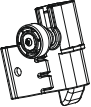




المواصفات:


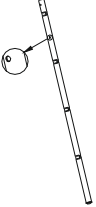

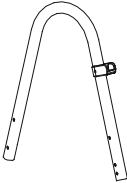
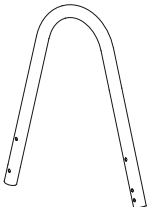
وزن الحمولة القصوى: 150كجم (330 رطل).

صُمم السلم الذي مقاسه 1.22م (48") وصنّع لحمام سباحة بحداد ارتفاعه الأقصى يبلغ

1.22م (48") ويعرض يبلغ 30 سم (11.8").

	1 	2 	3 	4 	5 
	x 9	x6	x2	x8	x16
58331	P61194	P62106	P04130	P6H1159	P6H1166

	6 	7 	8 	9 	10 
	x1	x1	x2	x1	x1
58331	P62085	P04131	P62087	P04132	P04133

	11 	12A 	12B 	13A 	13B 
	x2	x1	x1	x1	x1
58331	P04134	P04135	P04136	P04137	P04138

ASSEMBLY

Note: Ladder assembly requires a crosshead screwdriver or an adjustable wrench.

Note: Drawings for illustration purpose only. May not reflect actual product. Not to scale.

MONTAGE

Remarque : le montage de l'échelle nécessite un tournevis cruciforme ou une clé à mâchoires mobiles.

Remarque : les dessins ne sont qu'à titre d'illustration. Il peut arriver qu'ils ne reflètent pas le produit réel. Pas à l'échelle.

MONTAGE

Hinweis: Für die Montage der Leiter ist ein Kreuzschlitz-Schraubendreher oder ein verstellbarer Schraubenschlüssel erforderlich.

Hinweis: Die Zeichnungen dienen lediglich Illustrationszwecken. Möglicherweise ist nicht das vorliegende Produkt dargestellt. Nicht maßstabsgetreu.

MONTAGGIO

Nota: Per montare la scaletta occorre un cacciavite a croce o una chiave regolabile.

Nota: I disegni sono riportati solo a scopo illustrativo e potrebbero essere diversi dal prodotto. I disegni non sono in scala.

MONTAGE

Opmerking: Voor de montage van de ladder heeft men een kruisrooschroevendraaier of een instelbare moersleutel nodig.

Opmerking: Tekeningen enkel voor illustratiedoeleinden. Mogelijk geen weerspiegeling van het werkelijke product. Niet op schaal.

SESTAVENÍ

Poznámka: Sestavení schůdků vyžaduje křížový šroubovák nebo francouzský klíč.

Poznámka: Vybrazení mají pouze ilustrační charakter. Nemusí zobrazovat daný produkt. Bez měřítka.

MONTERING

Merk: Montering av stigenkrever en stjerneskruttrekker eller en skiftenøkkel.

Merk: Tegnningene er kun for illustrasjonsformål. De gjenspeiler kanskje ikke det faktiske produktet. Ikke etter skala.

MONTERING

Obs! Montering av stegen kräver en kryssmejsel eller en skiftnyckel.

Obs! Ritningarna är endast i illustrerande syfte. Kan möjlige inte reflektera den faktiska produkten. Inte skalenlig.

ASENNUS

Huomaa: Tikkaiden kokoamiseen tarvitaan ristipääruuvimeisseli tai säädettävä jokoavain.

Huomaa: Piirustukset vain viitteeksi. Eivät välttämättä vastaa todellista tuotetta. Eivät ole mittakaavassa.

MONTÁŽ

Poznámka: Montáž schodíkov vyžaduje použitie křížového škrutkovača alebo francúzskeho kľúča.

Poznámka: Obrázky slúžia len na ilustračné účely. Môžu sa od vášho výrobku odlišovať. Nie sú vyobrazené v mierke.

MONTAŻ

Uwaga: Do zmontowania drabiny potrzebny jest śrubokręt krzyżakowy lub klucz nastawny.

Uwaga: Rysunki zostały zamieszczone wyłącznie w celach poglądowych. Mogą nie odzwierciedlać rzeczywistego wyglądu produktu i nie są wykonane w skali.

ÖSSZESZERELÉS

Megjegyzés: A létra összeszereléséhez egy csillagfejű csavarhúzóra vagy franciakuclersra van szükség.

Megjegyzés: Az ábrák csak illusztrációként szolgálnak. Az ábrák nem feltétlenül a vonatkozó terméket mutatják. Az ábrák nem méretarányosak.

SALIKŠANA

Piezīme: Kāpinu salikšanai nepieciešams krustņirskrūvgriezis vai pielāgojama uzgrīznātslēga.

Piezīme: Zīmējumi izmantoti tikai ilustratīvos nolūkos. Var neatbilst spējot faktisko ražojumu. Neatbilst mērogam.

MONTAVIMAS

Pastaba. Kopėčioms surinkti reikia kryžminio atsuktuvo arba reguliuojamo veržliarakičio.

Pastaba. Brėžiniai pateikiami tik kaip pavyzdys. Jie gali neatbinti faktinio gaminio. Neatitinka realaus mastelio.

MONTAJE

Nota: El montaje de la escalera requiere un destornillador de estrella o una llave inglesa ajustable.

Nota: Los dibujos sirven solo como ejemplo. Puede que no se correspondan con el producto real. No a escala.

SAMLING

Bemærk: Til samling af stigen skal bruges en stjerneskruttrekker eller en skiftenøgle.

Bemærk: Tegningerne er udelukkende til illustrationsbrug. De gengiver måske ikke det aktuelle produkt. Illustrationener ikke måltro.

MONTAGEM

Nota: A montagem da escada requer uma chave de parafusos de estrela ou uma chave ajustável.

Nota: Desenhos apenas para fins ilustrativos. Podem não reflectir o produto real. Não está à escala.

ΣΥΝΑΡΜΟΛΟΓΗΣΗ

ΣΗΜΕΙΩΣΗ: Η ΣΥΝΑΡΜΟΛΟΓΗΣΗ ΤΗΣ ΣΚΑΛΑΣ ΑΠΑΙΤΕΙ ΕΝΑ ΣΤΑΥΡΟΚΑΤΣΑΒΙΔΟ Η ΕΝΑ ΓΑΛΛΙΚΟ ΚΛΕΙΔΙ.

ΣΗΜΕΙΩΣΗ: ΤΑ ΣΧΕΔΙΑ ΕΙΝΑΙ ΜΟΝΟ ΓΙΑ ΙΛΛΟΥΣΤΡΑΤΙΟΝ ΑΠΕΙΚΟΝΙΣΗΝ. ΜΠΟΡΕΙ ΝΑ ΜΗΝ ΑΝΤΑΠΟΚΡΙΝΟΝΤΑΙ ΣΤΟ ΠΡΑΓΜΑΤΙΚΟ ΠΡΟΙΟΝ. ΔΕΝ ΕΙΝΑΙ ΥΠΟ ΚΛΙΜΑΚΑ.

СБОРКА

Примечание: Для сборки лестницы необходима крестовая отвертка или регулируемый гаечный ключ.

Примечание: Схемы предназначены исключительно для целей иллюстрации. Они могут не отображать конкретное изделие. Схемы не отображают действительный масштаб.

SESTAVA

Opomba: Za sestavo lestve potrebujete križni izvijač ali francoski ključ.

Opomba: Slike so simbolične in ne predstavljajo vedno dejanskega izdelka. Slike niso v naravni velikosti.

KURULUM

Not: Merdivin kurulumu için yıldız tornavida veya ayarlanabilir bir anahtar kullanılması gerekmektedir.

Not: Çizimler yalnızca gösterim amaçlıdır. Gerçek ürünü tam olarak yansıtmayabilirler. Gerçeğine uygun değil.

INSTALARE

Notă: Instalarea scării necesită o șurubelniță în stea sau o cheie franceză ajustabilă.

Notă: Desenele sunt strict în scop ilustrativ. Acestea pot să nu reflecte produsul actual. Nu sunt la scară.

СГЛОБЯВАНЕ

Забелѝжка: Сглобяването на стълбата изисква отвертка-кръстачка или регулируем гаечен ключ.

Забелѝжка: Изображения, единствено с илюстративна цел. Може да не отразяват действителния продукт. Не са в скала.

SASTAVLJANJE

Napomena: Upotrijebite križni odvijač ili francuski ključ za sastavljanje ljestvi.

Napomena: Ovi crteži služe samo za ilustraciju. Oni ne odražavaju stvarni izgled proizvoda. Prikazani proizvod na slikama nije u stvarnoj veličini.

KOKKUPANEN

Märkus. Redeli kokkupanenuks on vaja ristpeaga kruvikeerajat ja reguleeritavat mutrivõtit.

Märkus. Esitatud joonised on vaid näitlikustamiseks. Need ei pruugi vastata konkreetsele tootele. Joonised ei ole mõõtkavas.

SASTAVLJANJE

Napomena: Za sastavljanje ljestvi potreban je krstasti odvijač ili pedesivi ključ.

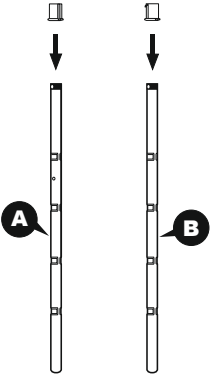
Napomena: Crteži su samo za ilustraciju. Moguće je da ne predstavljaju stvarni proizvod. Nisu srazmerni.

التجميع

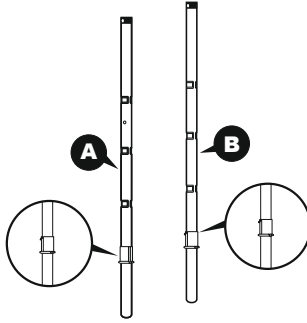
ملاحظة: يتطلب تجميع السلم منك برأس صليبية أو مفتاح قابل للتعديل.

ملاحظة: الرسومات لغرض التوضيح فقط. وقد لا تعبر عن المنتج الفعلي. وليست مرسومة بمقياس رسم.

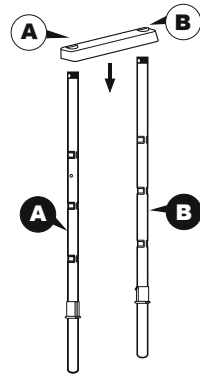
1



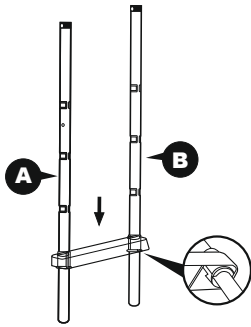
2



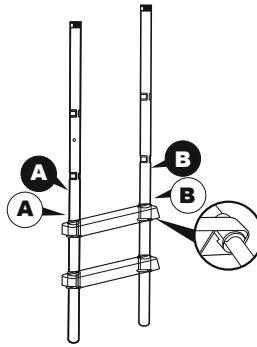
3



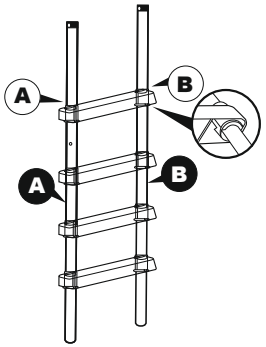
4



5



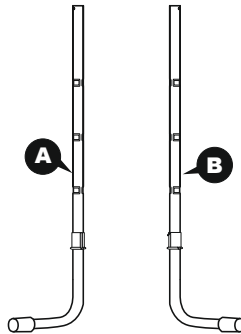
6



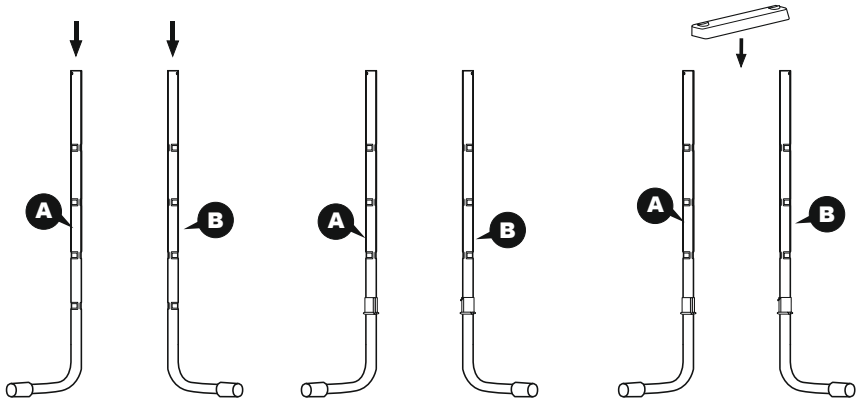
7



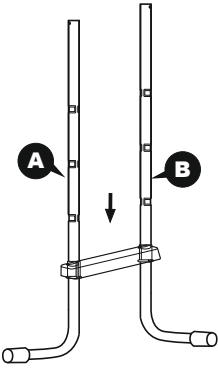
8



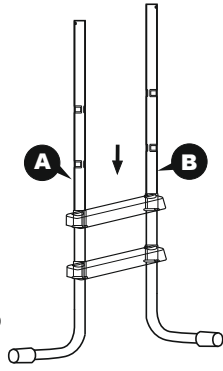
9



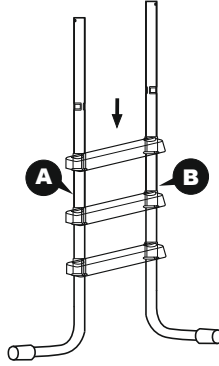
10



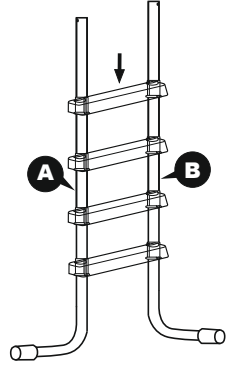
11



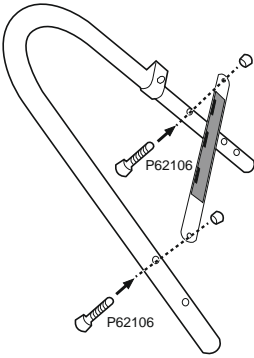
12



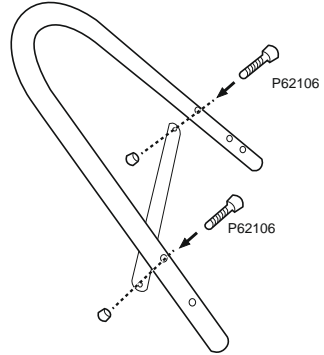
13



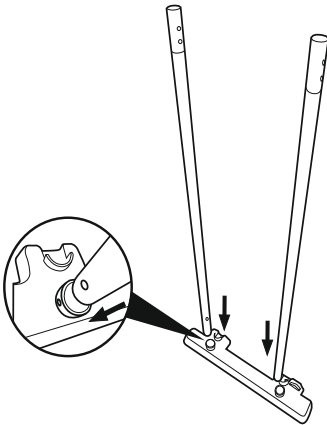
14



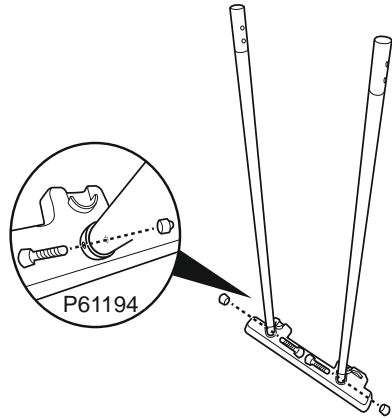
15



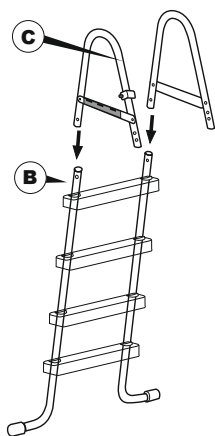
16



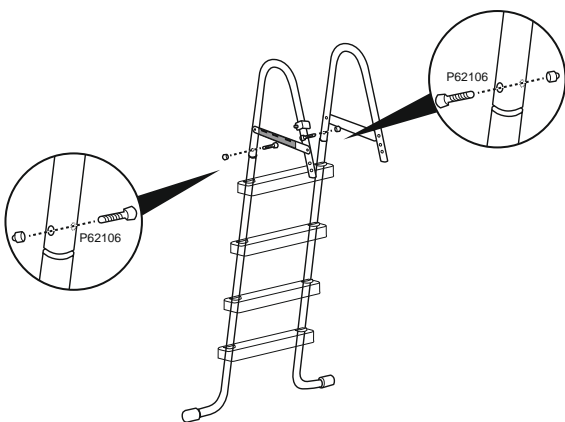
17



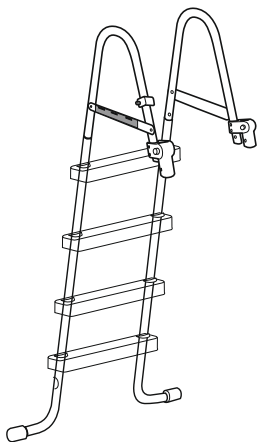
18



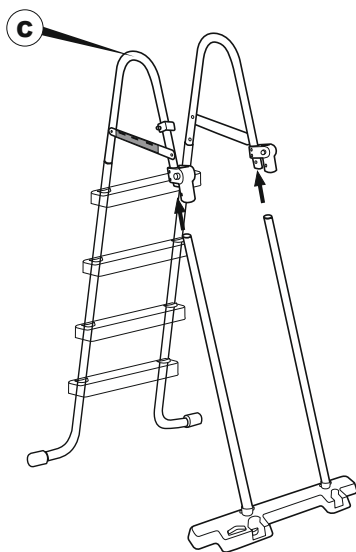
19



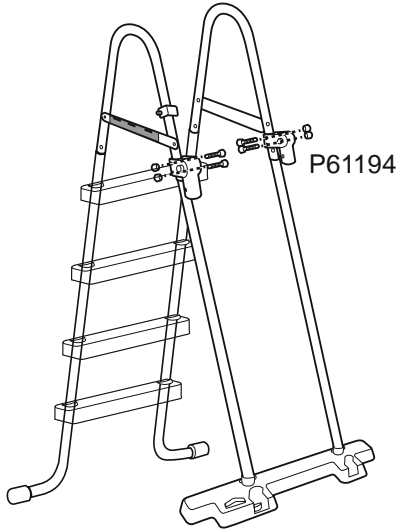
20



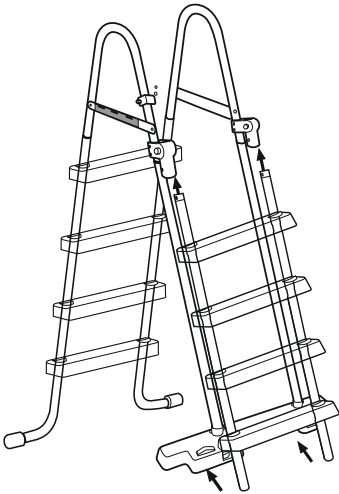
21



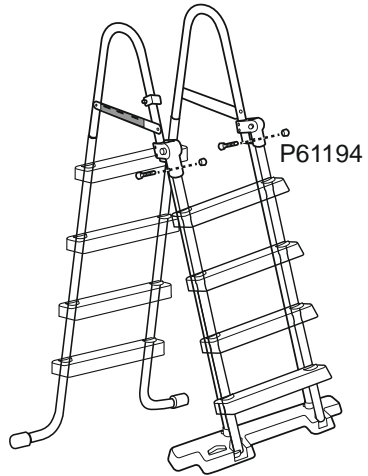
22



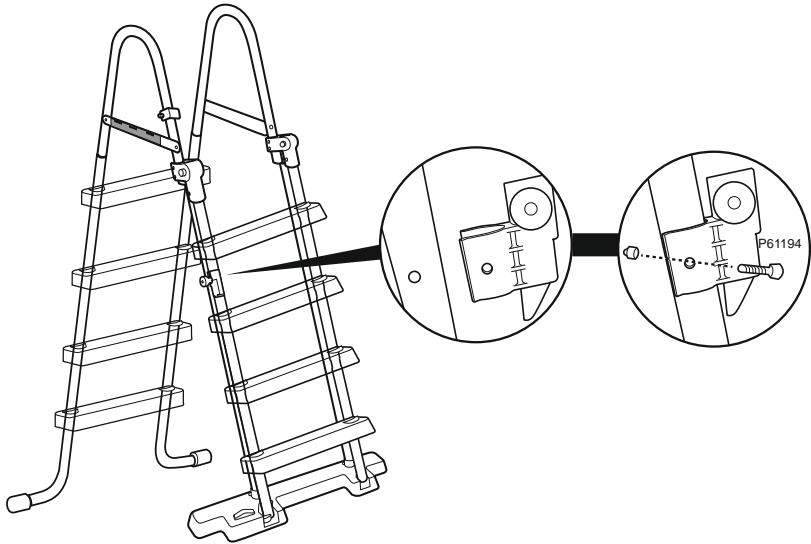
23



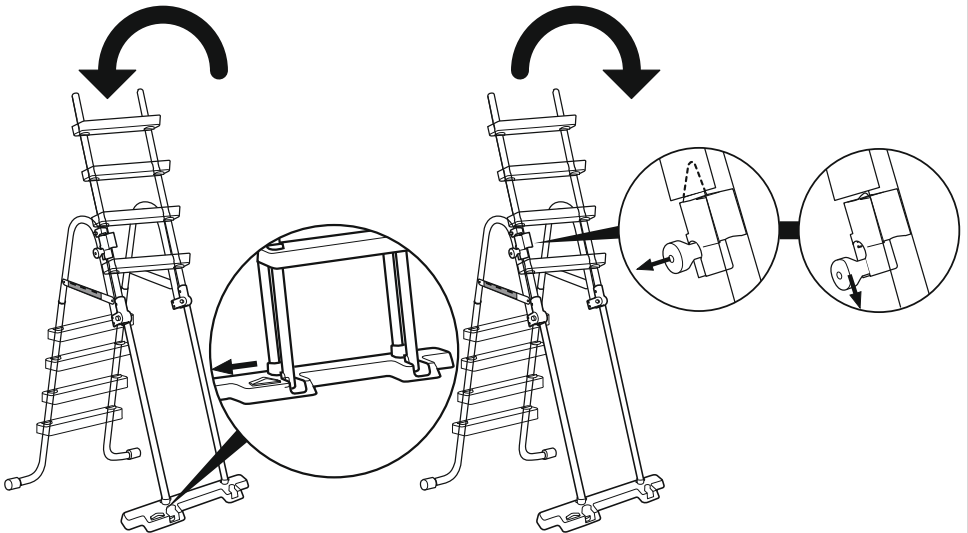
24



25



26



Note: This ladder is designed to prevent children from entering the pool when unsupervised by an adult.

Warning: This is not a replacement for competent adult supervision.

Remarque : Cette échelle est conçue pour éviter que les enfants entrent dans la piscine quand ils ne sont pas surveillés par un adulte.

Attention : Cela ne remplace pas la surveillance d'un adulte apte à cela.

Hinweis: Diese Leiter wurde entwickelt, um zu verhindern, dass Kinder ohne Beaufsichtigung durch einen Erwachsenen in den Pool gelangen.

Warnung: Dies ist kein Ersatz für eine kompetente Beaufsichtigung durch Erwachsene.

Nota: Questa scaletta è stata progettata per impedire ai bambini l'ingresso nella piscina senza la supervisione di un adulto.

Avvertenza: È sempre necessaria la supervisione di un adulto.

Opmerking: Deze ladder is ontworpen om te voorkomen dat kinderen het zwembad ingaan zonder dat ze onder toezicht van een volwassene staan.

Waarschuwing: Dit is geen vervanging voor competent toezicht door volwassenen.

Nota: Esta escalera ha sido diseñada para evitar que los niños entren en la piscina sin la supervisión de un adulto.

Advertencia: Este producto no reemplaza la supervisión competente de un adulto.

Bemærk: Denne stige er designet, så den forhindrer børn i at kravle op i bassinet uden opsyn af en voksen.

Advarsel: Dette træder ikke i stedet for kompetent voksenopsyn.

Nota: Esta escada foi concebida para evitar que as crianças entrem na piscina sem serem supervisionadas por um adulto.

Aviso: Este artigo não é um substituto da supervisão competente por adultos.

ΣΗΜΕΙΩΣΗ: Η ΣΚΑΛΑ ΑΥΤΗ ΕΧΕΙ ΣΧΕΔΙΑΣΤΕΙ ΓΙΑ ΝΑ ΑΠΟΤΡΕΠΕΙ ΤΗΝ ΕΙΣΟΔΟ ΠΑΙΔΙΩΝ ΣΤΗΝ ΠΙΣΙΝΑ ΧΩΡΙΣ ΕΠΙΒΛΕΨΗ ΑΠΟ ΕΝΗΛΙΚΑ.

ΠΡΟΕΙΔΟΠΟΙΗΣΗ: ΔΕΝ ΑΠΟΤΕΛΕΙ ΑΝΤΙΚΑΤΑΣΤΑΣΗ ΤΗΣ ΥΠΕΥΘΥΝΗΣ ΕΠΙΒΛΕΨΗΣ ΑΠΟ ΕΝΗΛΙΚΑ.

Примечание: Эта лестница сконструирована так, чтобы воспрепятствовать проникновению детей в бассейн без присмотра взрослых.

Предупреждение: Особая конструкция этой лестницы не исключает необходимости наблюдения со стороны взрослых.

Poznámka: Tyto schůdky nesmí děti používat ke vstupu do bazénu, pokud nejsou pod dohledem dospělé osoby.

Varování: Nejedná se o náhradu kompetentního dozoru dospělé osoby.

Merk: Denne stigen er konstruert slik at den skal forhindre at barn kan klatre opp i bassenget uten

hjelp fra en voksen.

Advarsel: Dette er ikke en erstatning for et voksent ansvar.

Note: Denna stega är designad för att hindra barn att gå i poolen när tillsyn av vuxen saknas.

Varning: Detta är ej avsett att ersätta kompetent vuxens tillsyn.

Huomaa: Tikkaiden tarkoitus on estää lapsia pääsemästä altaaseen silloin, kun allas ei ole aikuisen valvonnassa.

Varoitus: Tämä ei korvaa pätevän aikuisen valvontaa.

Poznámka: Tento rebrík má zabrániť deťom, aby vstúpili do bazéna bez dozoru dospelého.

Výstraha: Nejedná sa o náhradu riadneho dozoru dospeléj osoby.

Uwaga: Ta drabina została zaprojektowana z myślą o uniemożliwieniu dostępu do basenu dzieciom znajdującym się poza nadzorem dorosłych.

Ostrzeżenie: Nie zastępuje to nadzoru kompetentnej osoby dorosłej.

Megjegyzés: Ez a létra úgy lett tervezve, hogy képes legyen megakadályozni a felnőtt felügyelet nélküli gyerekek medencébe való beszállását.

Figyelmeztetés: A termék nem helyettesíti a megfelelő felnőtt által biztosított felügyeletet.

Piezīme: Šīs kāpnēs ir izveidotas, lai novērstu to, ka bērni iekļūst baseinā bez pieaugušo uzraudzības.

Bridinājums: Tas neaizstāj pieaugušo uzraudzību.

Pastaba: Šios kopėcios sukurtos taip, kad vaikai nepatektų į baseiną neprižiūrimi suaugusiojo.

Ispėjimas: Ąrenginys negali pakeisti kompetentingo suaugusiojo priežiūros.

Opomba: Lestev je zasnovana za to, da onemogoča vstop otrok v bazen brez nadzora odrasle osebe.

Opozorilo: To ni nadomestilo za ustrezní nadzor s strani odrasle osebe.

Not: Bu merdiven, bařında yetiřkin bir kiři olmayan bir gocuđun havuza girmesini önleyecek biçimde tasarlanmıřtır.

Uyarı: Bu, yetiřkin gözetimi gerekliliđini ortadan kaldırmaz.

Nota: Această scară este concepută pentru a preveni intrarea copiilor care nu sunt supravegheați de un adult în piscină.

Avertisment: Această nu reprezintă un substitut pentru supravegherea competentă a adulților.

Забележка: Тази стълба е предназначена да предотврати влизането на деца в басейна, които не са под надзор на възрастно лице.

Предупреждение: Това не е заместител на компетентния надзор от възрастен човек.

Napomena: Ove ljestve su osmišljene da spriječe ulazak djece u bazen koji nije pod nadzorom odrasle osobe.

Upozorenje: Ovaj proizvod ne smije zamijeniti neposredni nadzor odrasle osobe.

Märkus. See redel on ette nähtud laste basseini sisenemise tõkestamiseks, sel ajal kui pole täiskasvanute järelevalvet.

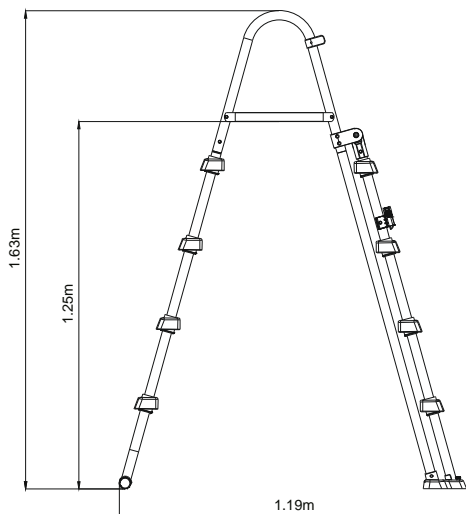
Hoiatus. See ei asenda järelevalvet täiskasvanute poolt.

Napomena: Ove ljestve su dizajnirane da spreče decu da ulaze u bazen nenadziran od strane odrasle osobe.

Upozorenje: Ovo nije zamena za nadzor odrasle osobe.

ملاحظة: هذا السلم مصمم لمنع الأطفال من دخول حمام السباحة بلا إشراف من الكبار.
تحذير: هذا ليس بديلاً عن إشراف الشخص البالغ.

Overall dimension/ Dimension totale/ Gesamtabmessungen/ Dimensioni complessive/ Algemene afmeting/ Dimensiones totales/ Ydermål/ Dimensões gerais/ ΣΥΝΟΛΙΚΕΣ ΔΙΑΣΤΑΣΕΙΣ/ Общие размеры/ Celkové rozměry/ Totale mål/ Storlek, totalt/ Kokonaismitat/ Celkové rozmery/ Całkowite wymiary/ Külső befoglaló méret/ Kopëjje izmëri/ Bendrieji matmenys/ Skupne mere/ Genel boyutlar/ Dimensiune totală/ Габаритен размер/ Ukupna veličina/ Gabariitmõõtmed/ Ukupne dimenzije/ الأبعاد الكلية



Maintenance and Storage

1. Always remember to check ladder before each use, change screws and retention clips if there is any rust.
2. Make sure the ladder is clean and dry before storing.
3. Keep out of children's reach.

Winterization

We strongly recommend the pool ladder is removed from the swimming pool during the off season (winter months).

Carefully disassemble all the components and dry thoroughly. Store in a dry location out of children's reach.

Please read carefully and keep for future reference.

-EN 16582.

For information concerning product questions, please visit our website at:

www.bestwaycorp.com

Entretien et rangement

1. N'oubliez jamais de contrôler l'échelle avant chaque utilisation, de changer les vis et les fixations si elles présentent des traces de rouille.
2. Vérifiez que l'échelle soit propre et sèche avant de la ranger.
3. Conservez-la hors de portée des enfants.

Remisage

Nous recommandons vivement d'enlever l'échelle de la piscine hors saison (pendant l'hiver).

Démontez soigneusement tous les composants et séchez-les bien. Rangez-les au sec, hors de portée des enfants.

Veillez lire attentivement ce document et pour pouvoir le consulter en cas de besoin.

-EN16582.

Pour plus d'informations sur le produit, veuillez visiter notre site web :

www.bestwaycorp.com

Wartung und Lagerung

1. Vergessen Sie nicht, die Leiter vor jeder Benutzung zu überprüfen. Tauschen Sie Schrauben und Halteklammern aus, sobald sich Rost bildet.
2. Stellen Sie sicher, dass das Produkt sauber und trocken ist, bevor Sie es einlagern.
3. Außerhalb der Reichweite von Kindern aufbewahren.

Winterfest machen

Wir empfehlen dringend, die Pooleiter außerhalb der Badesaison (während der Wintermonate) aus dem Swimmingpool zu entfernen.

Demontieren und trocknen Sie sorgfältig sämtliche Komponenten. Lagern Sie diese an einem trockenen Ort außerhalb der Reichweite von Kindern.

Bitte sorgfältig lesen und als künftige Referenz

aufbewahren.

-EN 16582.

Weitere Informationen bei Fragen zum Produkt finden Sie auf unserer Website unter:

www.bestwaycorp.com

Manutenzione e conservazione

1. Controllare sempre la scaletta prima dell'uso; in presenza di ruggine, sostituire le viti e i morsetti di tenuta.
2. Pulire la scaletta prima di riporla.
3. Tenere fuori dalla portata dei bambini.

Preparazione per la stagione invernale

Si consiglia vivamente di rimuovere la scaletta dalla piscina durante la bassa stagione (mesi invernali).

Smontare con attenzione tutti i componenti e asciugare con cura. Conservare in un luogo asciutto e fuori dalla portata dei bambini.

Leggere attentamente e conservare per futuri riferimenti.

-EN 16582.

Per informazioni sulla relative a domande sul prodotto, visitare il sito Web:

www.bestwaycorp.com

Onderhoud en opberging

1. Vergeet niet de ladder te controleren voor elk gebruik en de schroeven en retentieklips te vervangen als er roest aanwezig is.
2. Zorg ervoor dat de ladder volledig droog is voor u ze wegbergt.
3. Houd buiten het bereik van kinderen.

Klaarmaken voor de winter

We bevelen ten zeerste aan de zwembadladder uit het zwembad te verwijderen tijdens de wintermaanden.

Demonteer voorzichtig alle onderdelen en droog ze grondig.

Berg op in een droge plaats en buiten het bereik van kinderen.

Zorgvuldig lezen en bewaren voor toekomstige referentie.

-EN 16582.

Voor informatie betreffende productvragen, ga naar onze website op:

www.bestwaycorp.com

Limpeza y almacenamiento

1. Recuerde comprobar la escalera antes de cada uso, cambie los tornillos y los clips de retención si hubiera cualquier resto de óxido.
2. Asegúrese de que la escalera esté completamente limpia y seca antes de guardarla.
3. Guárdela fuera del alcance de los niños.

Preparación para el invierno

Recomendamos encarecidamente quitar la escalera de la piscina durante los meses de invierno.

Desmonte con cuidado todos los componentes y séquelos minuciosamente. Guárdelos en un lugar seco y fuera del alcance de los niños.

Lea atentamente y guarde este documento para futuras consultas.
-EN 16582.

Para obtener información sobre cualquier duda sobre el producto, visite nuestro sitio web en:
www.bestwaycorp.com

Vedligeholdelse og opbevaring

1. Husk altid at efterse stigen før hver brug. Udskift skruer og holdeclips, hvis der er rust på dem.
2. Kontroller, at stigen er ren og tør før opbevaring.
3. Hold den uden for børns rækkevidde.

Vinteropbevaring

Vi anbefaler stærkt at bassinstigen tages af svømmebassinet uden for badesæsonen (vintermånederne).
Adskil omhyggeligt alle komponenterne og aftør dem grundigt. Opbevar den på et tørt sted uden for børns rækkevidde.

Læs vejledningen omhyggeligt, og opbevar den til fremtidig brug.
-EN 16582.

For oplysninger vedrørende produktspørgsmålet henviser vi til vores hjemmeside på:
www.bestwaycorp.com

Manutenção e Armazenagem

1. Lembre-se sempre de verificar a escada antes da utilização, troque os parafusos e os clips de retenção caso apresentem ferrugem.
2. Certifique-se se a escada está limpa e seca antes de a armazenar.
3. Mantenha afastado do alcance das crianças.

Protecção de inverno

Recomendamos fortemente que a escada de piscina seja removida da piscina fora da estação (meses de inverno).
Desmonte cuidadosamente todos os componentes e seque cuidadosamente. Armazene num local seco fora do alcance de crianças.

Por favor leia cuidadosamente e guarde para referência futura.
-EN 16582.

Para informações sobre o produto, por favor visite o nosso website em:
www.bestwaycorp.com

ΣΥΝΤΗΡΗΣΗ ΚΑΙ ΑΠΟΘΗΚΕΥΣΗ

1. ΠΑΝΤΑ ΝΑ ΘΥΜΑΣΤΕ ΝΑ ΕΛΕΓΧΕΤΕ ΤΗ ΣΚΑΛΑ ΠΡΙΝ ΑΠΟ ΚΑΘΕ ΧΡΗΣΗ, ΑΛΛΑΞΤΕ ΤΙΣ ΒΙΔΕΣ ΚΑΙ ΤΑ ΚΛΙΠ ΣΥΓΚΡΑΤΗΣΗΣ ΕΑΝ ΥΠΑΡΧΕΙ ΟΠΟΙΟΔΗΠΟΤΕ ΣΚΟΥΡΙΑ.
2. ΒΕΒΑΙΩΘΕΙΤΕ ΟΤΙ Η ΣΚΑΛΑ ΕΙΝΑΙ ΚΑΘΑΡΗ ΚΑΙ ΣΤΕΓΝΗ ΠΡΙΝ ΑΠΟ ΤΗΝ ΑΠΟΘΗΚΕΥΣΗ.
3. ΚΡΑΤΗΣΤΕ ΜΑΚΡΙΑ ΑΠΟ ΠΑΙΔΙΑ.

ΓΙΑ ΤΟ ΧΕΙΜΩΝΑ

ΣΑΣ ΣΥΝΙΣΤΟΥΜΕ Η ΣΚΑΛΑ ΤΗΣ ΠΙΣΙΝΑΣ ΝΑ ΑΦΑΙΡΕΙΤΑΙ ΑΠΟ ΤΗΝ ΠΙΣΙΝΑ ΚΑΤΑ ΤΗ ΔΙΑΡΚΕΙΑ ΤΗΣ ΕΚΤΟΣ ΧΡΗΣΗΣ ΠΕΡΙΟΔΟΥ (ΧΕΙΜΕΡΙΝΟΙ ΜΗΝΕΣ).
ΑΠΟΣΥΝΑΡΜΟΛΟΓΗΣΤΕ ΠΡΟΣΕΚΤΙΚΑ ΟΛΑ ΤΑ

ΕΞΑΡΤΗΜΑΤΑ ΚΑΙ ΣΤΕΓΝΩΣΤΕ ΤΑ ΚΑΛΑ. ΑΠΟΘΗΚΕΥΣΤΕ ΣΕ ΞΗΡΟ ΧΩΡΟ ΜΑΚΡΙΑ ΑΠΟ ΠΑΙΔΙΑ.

ΠΑΡΑΚΑΛΟΥΜΕ ΔΙΑΒΑΣΤΕ ΠΡΟΣΕΚΤΙΚΑ ΚΑΙ ΦΥΛΑΞΤΕ ΓΙΑ ΜΕΛΛΟΝΤΙΚΗ ΑΝΑΦΟΡΑ.

- EN 16582.

ΓΙΑ ΠΛΗΡΟΦΟΡΙΕΣ ΣΧΕΤΙΚΑ ΜΕ ΕΡΩΤΗΣΕΙΣ ΓΙΑ ΤΟ ΠΡΟΪΟΝ, ΠΑΡΑΚΑΛΟΥΜΕ ΕΠΙΣΚΕΦΘΕΙΤΕ ΤΗΝ ΙΣΤΟΣΕΛΙΔΑ ΜΑΣ ΣΤΗ ΔΙΕΥΘΥΝΣΗ:
www.bestwaycorp.com

Обслуживание и хранение

1. Всегда помните о том, что перед использованием необходимо проверить состояние лестницы и заменить болты и удерживающие кронштейны, если они заржавели.
2. Перед тем, как убрать лестницу на хранение, убедитесь в том, что она чистая и сухая.
3. Хранить в месте, недоступном для детей.

Подготовка к зиме

Вне сезона (в зимние месяцы) настоятельно рекомендуется убрать лестницу из бассейна.
Осторожно разберите лестницу и тщательно высушите все ее части. Храните в сухом месте, недоступном для детей.

Внимательно изучите инструкции и сохраните их для дальнейшего использования в справочных целях.

По всем вопросам, касающимся изделия, просим посетить наш веб-сайт:
www.bestwaycorp.com

Údržba a skladování

1. Před každým použitím schůdky zkontrolujte a při výskytu rzi vyměňte šrouby a přichytňé klipy.
2. Před uskladněním se ujistěte, že schůdky jsou čisté a suché.
3. Uchovávejte mimo dosah dětí.

Zazimování

Důrazně doporučujeme v období mimo sezónu (v zimních měsících) demontovat schůdky z bazénu.
Opatrně demontujte všechny součásti a důkladně je osušte. Uložte na suché místo mimo dosah dětí.

Pečlivě přečtěte a uchovejte pro budoucí nahlížení.

-EN 16582

Pro informace o produktu navštivte naši webovou stránku na adrese:
www.bestwaycorp.com.

Vedlikehold og oppbevaring

1. Husk alltid å sjekke stigen før hver bruk, og skift skruer og holdesklemmer hvis det finnes rust.
2. Sjekk at stigen er ren og tørr før lagring.
3. Oppbevares utenfor barns rekkevidde.

Vinterlagring

Vi anbefaler sterkt at bassengstigen blir fjernet fra svømmebas

senget gjennom vintersesongen.

Demonter forsiktig alle delene, og tørk dem grundig. Lagres tørt og utenfor barns rekkevidde.

Les nøye gjennom dette dokumentet og ta vare på det for fremtidig referanse.

-EN 16582

For informasjon angående produktspørsmål, vennligst besøk vår nettside på:

www.bestwaycorp.com.

Underhåll och förvaring

1. Kom ihåg att alltid kontrollera stegen före varje användning, och byt ut skruvar och fasthållningklämmor om det finns någon rost.
2. Se till att stegen är ren och torr före förvaring.
3. Håll utom räckhåll för barn.

Vinterförberedelser

Vi rekommenderar starkt att poolstegen avlägsnas när det inte är säsong (vintermånaderna).

Ta isär alla komponenter och torka dem ordentligt. Förvara på torr plats utom räckhåll för barn.

Vänligen läs noga och bevara för framtida referens.

-EN 16582.

För information rörande produktfrågor, vänligen besök vår webbplats på:

www.bestwaycorp.com

Kunnossapito ja säilytys

1. Tarkista tikkaat aina ennen jokaista käyttöä. Vaihda ruuvit ja paikallaan pysymisen varmistavat kiinnikkeet, jos niissä on merkkejä ruosteesta.
2. Varmista ennen säilytystä, että tikkaat ovat puhtaat.
3. Säilytä lasten ulottumattomissa.

Säilytys talvella

Suosittelimme lämpimästi poistamaan tikkaat uima-altaasta talvikuukausien ajaksi (tai niiden kuukausien ajaksi, jolloin allasta ei käytetä).

Irrota varovasti kaikki osat ja kuivaa huolellisesti. Säilytä kuivassa paikassa pois lasten ulottuvilta.

Lue nämä tiedot huolellisesti ja säilytä mahdollista tulevaa tarvetta varten.

-FIN 16582

Lisätietoja tuotteesta on sivustossamme:

www.bestwaycorp.com.

Udržba a skladovanie

1. Vždy pred použitím schodíky dôkladne skontrolujte. Ak skrutky a poistné spony vykazujú známky korózie, vymeňte ich.
2. Pred uskladnením skontrolujte, či sú schodíky čisté a suché.
3. Udržujte mimo dosahu detí.

Zazimovanie

V zimných mesiacoch dôrazne odporúčame bazénový rebrik vytiahnuť z bazéna a uskladniť v zmysle pokynov.

Opatrne demontujte všetky komponenty a dôkladne vysušte. Uskladnite na suchom mieste mimo dosahu detí.

Príručku si pozorne prečítajte a odložte na neskoršie použitie.

-EN 16582.

Ďalšie informácie o našich produktoch nájdete na webovej stránke:

www.bestwaycorp.com

Konserwacja i przechowywanie

1. Sprawdzaj drabinę przed każdym użyciem. Rdzewiejące śruby i zaczepy należy wymieniać.
2. Przed przechowywaniem upewnij się, że drabina jest czysta i sucha.
3. Przechowywać w miejscu niedostępnym dla dzieci.

W sezonie zimowym

Zdecydowanie zalecamy wyjęcie drabiny z basenu na czas zimy.

W tym celu należy ostrożnie zdemontować drabinę i dokładnie wysuszyć wszystkie części. Przechowywać w miejscu suchym i niedostępnym dla dzieci.

Prosimo uvažnie prečítať ten dokument i zachovať go do vgládu v budúcnosti.

-EN16582.

Odpovedzi na pytania dotyczące produktu można znaleźć na naszej stronie:

www.bestwaycorp.com

Karbantartás és tárolás

1. Használat előtt mindig ellenőrizze a létrát. Ha rozsdásodást tapasztal, cserélje ki a csavarokat és tartókapcsokat.
2. Mielőtt tárolásra eltenné a létrát, győződjön meg annak tisztaságáról és szárazságáról.
3. Gyermekek számára hozzáférhetetlen helyen tartandó.

Télinesítés

Nagyon javasoljuk, hogy a holt szezonban (téli hónapok) vegye ki a medencelétrát az úszómedencéből.

Gondosan szerezje szét az összes alkatrészt, és szárítsa meg őket alaposan. Tárolja száraz, gyermekek számára hozzáférhetetlen helyen.

Alaposan olvassa el, és tegye félre, hogy a jövőben bármikor belenézhesen.

-EN 16582.

A termékre vonatkozó kérdésekkel kapcsolatos információkat keresse a következő címen található weboldalunkon:

www.bestwaycorp.com.

Apkope un glabāšana

1. Vienmēr pirms izmantošanas pārbaudiet kāpnes, nomainiet skrūves un savienojuma klipšus, ja uz tiem ir rūsas.

2. Pirms noglabāšanas pārliecinieties, ka kāpnes ir tīras.
3. Glabājiet bērniem nepieejamā vietā.

Sagatavošana ziemai

Mēs iesakām noņemt baseina kāpnes no peldbaseina nesezonas laikā (ziemas mēnešos).

Uzmanīgi izjauciet visas sastāvdaļas un kārtīgi izžāvējiet. Glabājiet sausā, bērniem nepieejamā vietā.

Lūdzu, uzmanīgi izlasiet un saglabājiet turpmākām atsaucēm.

-EN 16582.

Lai saņemtu informāciju par precēs garantiju, lūdzu, apmeklējiet mūsu tīmekļa vietni:

www.bestwaycorp.com.

Priežiūra ir laukumam

1. Prieš kiekvienu lietojumu visuomet patikrinkite kopēcijas, pakeiskite varžtus ir fiksatorius, jei jie surūdiņē.
2. Prieš padēdami laikyti įsitinkite, kad kopēcijas yra švarios ir sausos.
3. Laikykite vaikams nepasiekiamoje vietoje.

Paruošimas ziemai

Rekomenduoame nuimti kopēcijas nuo baseino ne sezono metu (žiema).

Atsargiai išmontuokite visus komponentus ir kruopščiai nusauskite. Laikykite sausoje ir vaikams nepasiekiamoje vietoje.

Atidžiai perskaitykite ir išsaugokite, kad galėtumėte peržiūrėti ateityje.

-EN 16582.

Norėdami daugiau informacijos apie rūpinimus gaminius, apsilankykite mūsų internetinėje svetainėje adresu:

www.bestwaycorp.com.

Vzdrževanje in shranjevanje

1. Lestev pred vsako uporabo preverite. Zamenjajte vijake in pritrdilne sponke, če so zarjaveli.
2. Pred shranjevanjem lestev očistite in osušite.
3. Shranjujte jo zunaj dosega otrok.

Shranjevanje pozimi

Toplo vam priporočamo, da bazenske lestve zunaj sezone (zimski meseci) ne puščate v bazenu.

Previdno razstavite vse sestavne dele in jih do suhega obrišite.

Lestev shranite v suhem prostoru, zunaj dosega otrok.

Pozorno preberite navodila in jih shranite, saj jih boste v prihodnje morebiti potrebovali.

-EN 16582.

Če imate kakršna koli vprašanja v zvezi z izdelkom, si lahko ogledate našo spletno stran:

www.bestwaycorp.com

Bakim ve Depolama

1. Her kullanımdan önce merdiveni kontrol edin, vidalarını

paslanma varsa vidaları veya tutma klipslerini değiştirin.

2. Saklamak üzere kaldırmadan önce merdivenin temiz ve kuru olduğunu kontrol edin.

3. Çocukların erişmeyeceği yerde saklayın.

Kış Koşullarına Hazırlama

Sezon dışında (kış aylarında) havuz merdiveninin yüzme havuzundan çıkarılmasını şiddetle öneririz.

Tüm bileşenleri dikkatle demonte edin ve iyice kurulaıın. Kuru ve çocukların ulaşamayacağı bir yerde muhafaza edin.

Lütfen dikkatli bir şekilde okuyun ve gelecekte referans olarak kullanmak için saklayın.

-EN 16582.

Ürünle ilgili bilgi almak veya soru sormak için, lütfen web sitemizi ziyaret edin:

www.bestwaycorp.com

İntretinere și depozitare

1. Nu uitați să verificați întotdeauna scara înainte de fiecare utilizare, schimbați șuruburile și clemele de fixare dacă prezintă urme de rugină.

2. Asigurați-vă că cortul este curat și uscat înainte de depozitare.

3. A nu se lăsa la îndemâna copiilor.

Sezonul de iarnă

Vă recomandăm cu fermitate îndepărtarea scării de piscină din piscină în afara sezonului (lunile de iarnă).

Dezasamblați cu atenție toate componentele și uscați-le cu atenție. Depozitați la loc răcoros, uscat, departe de accesul copiilor.

Vă rugăm să citiți cu atenție și să păstrați pentru a consulta pe viitor.

-EN 16582

Pentru informații privind garanția pompei vă rugăm să vizitați pagina noastră de internet la:

www.bestwaycorp.com

Поддръжка и Съхранение

1. Винаги помнете, да проверявате стълбата преди всяка употреба, да замените винтовете и скобите за закрепване, при наличие на ръжда.

2. Уверете се, че стълбата е чиста и суха, преди да я приберете за съхранение.
3. Съхранявайте на място, недостъпно за деца.

Зазимяване

Ние горещо препоръчваме стълбата на baseina да бъде отстранявана от самия басейн през неактивния сезон (зимните месеци).

Внимателно разглобете всички компоненти и подсушете добре. Съхранявайте на сухо място и далеч от достъпа на деца.

Моля, прочетете внимателно и запазете за бъдеща консултация.

-EN 16582.

За информация относно въпроси, свързани с продукта, моля посетете нашата веб-страница на адрес: www.bestwaycorp.com

Одръжане и складиране

1. Nikada ne zaboravite provjeriti ljestve prije svake upotrebe te također zamijenite vijke i kukice za učvršćivanje ako na njima ima tragova rđe.
2. Prije skladištenja ljestvi, pobrinite se da su ljestve čiste i suhe.
3. Držite izvan dohvata djece.

Складиштење tijekom зимског раздобља

Preporučujemo vam da tijekom razdoblja nekorištenja bazena (zimskih mjeseci) skinete bazenske ljestve. Pažljivo rastavite sastavne dijelove i temeljito ih osušite. Odložite ih na suho mjesto izvan dosegа djece.

Pažljivo pročitajte i sačuvajte za buduću uporabu.

-EN 16582

Za dodatna pitanja o ovom proizvodu, molimo Vas posjetite naše mrežne stanice: www.bestwaycorp.com

Hooldamine ja houstamine

1. Kontrollige redel enne kasutamata hakkamist üle ja asendage roostes poldid ja kinnituskõpsud.
2. Enne hoialepanekut veenduge, et redel on puhas ja kuiv.
3. Hoidke lastele kättesaamatus kohas.

Houstamine talveks

Soovitame rangelt basseini redel pärast hooaja lõpetamist (talveks) eemaldada. Võtke kõik osad lahti ja kuivatage hoolikalt. Hoidke kuivas kohas, mis ei ole lastele kättesaadav.

Lugege need juhised hoolikalt läbi ja hoidke järgneva kasutamiseks alles.

-EN 16582.

Toote kohta küsimuste tekkimisel vaadake veebisaiti: www.bestwaycorp.com

Одръжане и одлагане

1. Ne zaboravite proveriti ljestve pre svake upotrebe, promenite vijke i sigurnosne spojnice ako na njima ima rđe.
2. Pobrinite se da su ljestve čiste i suve pre nego ih odložite.
3. Držite van domašaja dece.

Припремане за зиму

Mi preporučujemo da se ljestve za bazen uklone iz bazena van sezone (zimski meseci). Pažljivo rastavite sve delove i dobro osušite. Odložite na suvo mesto van domašaja dece.

Molimo pročitajte pažljivo i sačuvajte ova uputstva da ih imate ako vam zatrebaju u budućnosti.

-EN 16582

Za informacije i pitanja o proizvodu molimo posetite našu veb stranicu: www.bestwaycorp.com

الصيانة والتخزين

1. تذكر دائماً فحص السلم قبل استخدامه، وقم بتغيير المسامير ومشابك الحجز إذا ظهر عليها الصدأ.
2. تأكد أن السلم نظيف وجاف قبل تخزينه.
3. احتفظ بعيداً عن متناول الأطفال.

فصل الشتاء

نوصي بشدة بكم حمام السباحة خلال موسم الإيقاف (أشهر الشتاء). قم بتفكيك جميع الأجزاء بعناية وحفظها تماماً. يُخزن في مكان جاف بعيداً عن متناول الأطفال.

فضلاً، اقرأه بعناية واحتفظ به للرجوع إليه مستقبلاً.

-EN 16582-

للحصول على معلومات حول المنتج، يرجى زيارة موقعنا على الإنترنت: www.bestwaycorp.com



©2020 Bestway Inflatables & Material Corp.

All rights reserved/Tous droits réservés/Todos los derechos reservados/Alle Rechte vorbehalten/Tutti i diritti riservati

®™ Trademarks used in some countries under license to/

Marques ®™ utilisées dans certains pays sous la licence de/

Marcas comerciales ®™ utilizadas en algunos países bajo la licencia de/

®™ Die Warenzeichen werden in einigen Ländern verwendet unter Lizenz der/

®™ Marchi utilizzati in alcuni paesi concessi in licenza a

Bestway Inflatables & Material Corp., No.3065 Cao An Road, Shanghai, 201812, China.

Manufactured, distributed and represented in the European Union by/

Fabriqués, distribués et représentés dans l'Union Européenne par/Fabricado, distribuido y representado en la Unión Europea por/

Hergestellt, vertrieben und in der Europäischen Union vertreten von/Prodotto, distribuito e rappresentato nell'Unione Europea da

Bestway (Europe) S.r.l., Via Resistenza, 5, 20098 San Giuliano Milanese (Milano), Italy

Distributed in North America by/Distribués en Amérique du Nord par/Distribuido en Norteamérica por

Bestway (USA) Inc., 3411 E. Harbour Drive, Phoenix, Arizona 85034, United States of America

Tel: +86 21 69135588 (For U.S. and Canada)

Distributed in Latin America by/Distribué en Amérique latine par/Distribuido en Latinoamérica por/Distribuido na América Latina por

Bestway Central & South America Ltda, Salar Ascotan 1282, Parque Enea, Pudahuel, Santiago, Chile

Distributed in Australia & New Zealand by **Bestway Australia Pty Ltd, Unit 2/98-104 Carnarvon St Silverwater, NSW 2128, Australia**

Tel: Australia: (+61) 29 0371 388; New Zealand: 0800 142 101

Exported by/Exporté par/Exportado por/Exportiert von/Esportato da

Bestway (Hong Kong) International Ltd./Bestway Enterprise Company Limited

Suite 713, 7/Floor, East Wing, Tsim Sha Tsui Centre, 66 Mody Road, Kowloon, Hong Kong

www.bestwaycorp.com

Bestway®



EN
PT
ES
DE
FI
NL
IT
FR
EL
RU
PL
HU
SV

58389 Hmax 1.5 m

OWNER'S MANUAL

bestwaycorp.com/support

Visit Bestway YouTube channel 

FILTER PUMP OWNER'S MANUAL

Visit Bestway YouTube channel



WARNING

IMPORTANT SAFETY INSTRUCTIONS

READ AND FOLLOW ALL INSTRUCTIONS

WARNING - RISK OF ELECTRIC SHOCK - The pump is to be supplied by an isolating transformer or supplied through a residual current device (RCD) having a rated residual operating current not exceeding 30 mA.

The plug of pump shall be at least 3.50m away from the pool.

The appliance must be supplied by earthed power source.

Extension cords can't be used.

WARNING - RISK OF ELECTRIC SHOCK - The pump cannot be using while people are inside the pool. Forbid the access of the pool in case of damage of the filter pump.

DO NOT BURY CORD. Locate cord to minimize abuse from lawn mowers, hedge trimmers, and other equipment.

WARNING - The supply cord cannot be replaced. If the cord is damaged the appliance should be scrapped.

CAUTION - This pump is for use with storable pools only. Do not use with permanently-installed pools. A storable pool is constructed so that it is capable of being readily disassembled for storage and reassembled to its original integrity. A permanently-installed pool is constructed in or on the ground or in a building such that it cannot be readily disassembled for storage.

IMPORTANT - Using the pump with an unmatched electrical supply is dangerous and will result in catastrophic failure of pump.

RISK OF ELECTRICAL SHOCK - When working with electricity, turn the electrical power off at the circuit breaker and lock breaker door. Failure to do so will result in increased risk of shock, injury and possibly death.

DO NOT REMOVE THE GROUNDING PRONG OR MODIFY THE PLUG IN ANY WAY. DO NOT USE ADAPTOR PLUGS. Consult a qualified electrician for any questions related to the validity of your plugs grounding.

Handle the pump with care. Do not pull or carry the pump by the power cord. Never pull a plug from the outlet by yanking the power cord. Keep cord free

from abrasions. Sharp objects, oil, moving parts, and heat should never be exposed to the filter pump.

WARNING - This appliance can be used by children aged from 8 years and above and persons with reduced physical, sensory or mental capabilities or lack of experience and knowledge if they have been given supervision or instruction concerning use of the appliance in a safe way and understand the hazards involved. Children shall not play with the appliance. Cleaning and user maintenance shall not be made by children without supervision. (For EU market)

WARNING - This appliance is not intended for use by persons (including children) with reduced physical, sensory or mental capabilities, or lack of experience and knowledge, unless they have been given supervision or instruction concerning use of the appliance by a person responsible for their safety. Children should be supervised to ensure that they do not play with the appliance.
(For market other than EU)

Cleaning and user maintenance must be performed by an adult above 18 years old who is familiar with the risk of electric shock. When the appliance will be not used for a long time, such as in the winter, the pool set should be disassembled and stored indoor.

CAUTION - Read the instruction before using the appliance and installation/reassembly every time.

The appliance must be placed more than 2m away from the pool. (For France only). Electric installations should follow national wiring rules. Consult a qualified electrician for any questions.

Only the media provided or specified by the manufacturer is to be used with product installation.

It is essential to check that the suction openings are not obstructed.

It is advisable to stop the filtration during maintenance operations on the filtration system.

Regularly monitor the filter clogging level.

A weekly check is recommended for cleaning.

Minimum daily filtration operating time of 8 hours is recommended to ensure clear pool water.

It is essential to change any damaged element or set of elements as soon as possible. Use only parts approved by person responsible for placing the product on the market.

All filters and filter media shall be inspected regularly to ensure that there is not a build-up of detritus thus preventing good filtration. The disposal of any used filter media should also be in accordance with applicable regulations/legislation. In case of doubt on the pump or any circulation devices, contact a qualified

installer, or the manufacturer/importer/distributor.

The water circulation installation shall comply with the European as well as national/local regulations, especially when dealing with electrical issues.

Any change of valve position, pump size, grille size can cause a change of the flow and the suction velocity can be increased.

Mind all the safety requirements and recommendations described in the manual.

NOTE:

Please examine equipment before use. Notify Bestway at the customer service address listed on this manual for any manufacturing defect or missing parts at the time of purchase. Verify that the equipment components represent the filter pump model that you had intended to purchase.

NOTE:

Place pump on a solid and level ground. Pay attention to position of pool and pump so adequate ventilation, drainage, and access for cleaning is available. Never place pump in an area that may accumulate water, or in an area where foot traffic will flow around the pool.

It is necessary to have the plug accessible after installation of the pool.

NOTE:

Atmospheric conditions may affect the performance and life span of your filter pump. Unnecessary wear and tear may occur during periods of cold, heat and exposure to sun. Whenever possible shelter pump from these conditions.

It is important to ensure the factory equipped stopper plugs for the inlet and outlet ports replace the screens before removal or maintenance on the pump is attempted.

NOTE:

Do not add chemicals in the filter pump.

Don't plug or unplug the appliance if hand is wet.

Always unplug the appliance:

- On raining days
- Before cleaning or other maintenance
- Leave it unattended on holidays

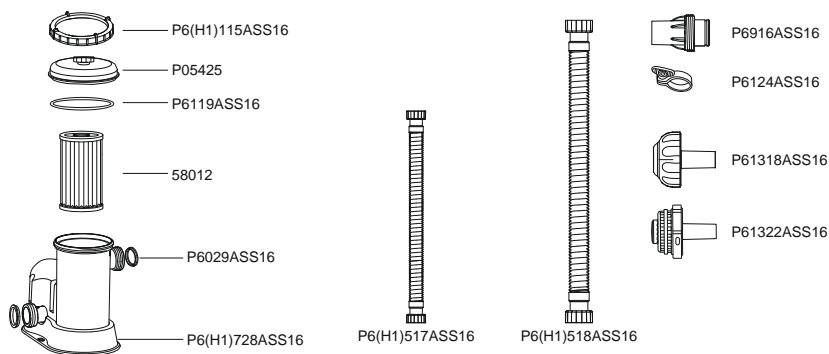
Safekeeping the instruction. For reconstruction the pool set every time, please always refer to the instructions.

- If instruction is missed, please contact with Bestway or search it in website: www.bestwaycorp.com

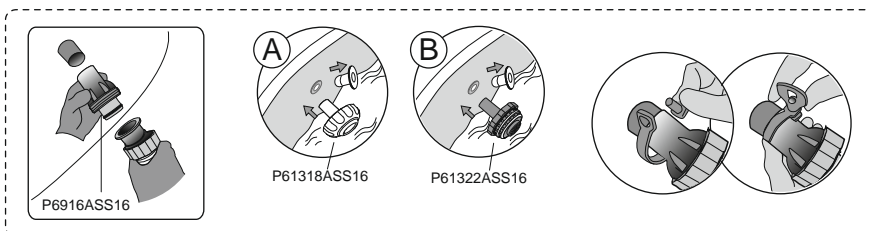
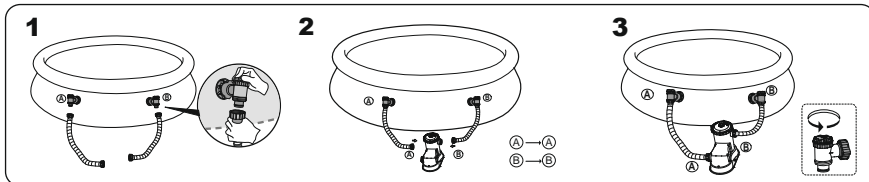
NOTE: This product is not intended for commercial use.

Please read the instruction manual carefully and keep it for future reference.

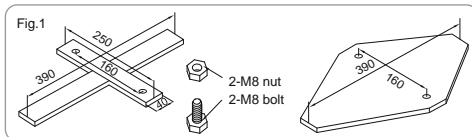
SAVE THESE INSTRUCTIONS.



	A	B	C	D	E	F
P05425	1	1	1	1	1	1
P6(H1)115ASS16	1	1	1	1	1	1
P6119ASS16	1	1	1	1	1	1
58012	1	1	1	1	1	1
P6(H1)728ASS16	1	1	1	1	1	1
P6(H1)517ASS16	2	0	2	0	2	0
P6(H1)518ASS16	0	2	0	2	0	2
P6124ASS16	2	2	0	0	0	0
P6029ASS16	2	2	2	2	2	2
P6916ASS16	2	2	0	0	0	0
P61322ASS16	1	1	0	0	0	0
P61318ASS16	1	1	0	0	0	0



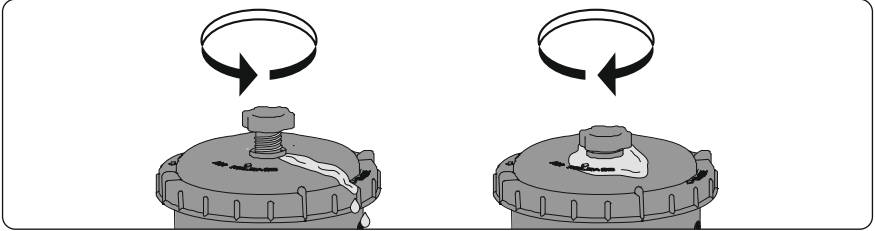
PEDESTAL FIXING Fig.1
 EN60335-2-41 TEST standard requires the filter pump to be vertically fixed on ground or a certain pedestal made of wood or concrete before use. There should be two holes 9mm in diameter on the pedestal, the space between which should be 160mm. Put filter pump on the pedestal and fix them together by fasten the bolts and nuts. All the pedestal parts should weigh over 18kgs at least to prevent the pump from accidentally falling.



NOTE: It is imperative to check that the hydraulic connectors are not obturated.

OPERATION

- 1) Open/unscrew the Air Purge Valve on the top of the Filter Pump; air is released as water fills the Filter Pump.
- 2) When water comes out of the Air Purge Valve screw it closed and wipe away any water.
- 3) To start the Filter Pump, insert the plug into a residual current device (RCD).
- 4) To start the Filter Pump, insert the plug into a circuit of alternative residual power (DDR) For France Only.



IMPORTANT: DO NOT DRY RUN THE FILTER PUMP –
Make sure both the pool's Inlet and Outlet valves are fully covered by water before operating the Filter Pump.

PUMP MAINTENANCE

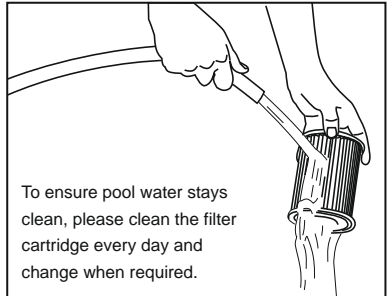
CAUTION: YOU MUST ENSURE THE FILTER PUMP IS UNPLUGGED BEFORE ANY MAINTENANCE BEGINS OR SEVERE RISK OF INJURY OR DEATH EXISTS.

- 1) Unplug the Filter Pump.
- 2) Stop water flowing to the Filter Pump refer to pool's manual.
- 3) Unscrew the Filter Cap Retainer and remove the Filter Cap.
- 4) Clean the Filter Cartridge with a garden hose.
- 5) Insert the cleaned (or new) Filter Cartridge; ensure it is centered in the Filter Pump.
- 6) Check that the Filter Cap Seal is in place.
- 7) Replace the Filter Cap and screw the Filter Cap Retainer into position.
- 8) Open the valve A and B.
- 9) Follow the Pump Installation Directions section to prepare the system for use.

IMPORTANT: For sanitary reasons we suggest replacing the Filter Cartridge with a new one every two weeks. Flush the filter daily.

PUMP STORAGE

- 1) Unplug the Filter Pump.
- 2) Stop water flowing into the Filter Pump and to remove the Filter Cartridge.
- 3) Discard the Filter Cartridge.
- 4) Detach all Hoses.
- 5) Dry all components thoroughly.
- 6) Store the filter pump in a dry location out of child's reach. Storage temperature: 4-40 °C(39,2-104 F)
- 7) Drain the pool according to the Pool Owner's Manual.



To ensure pool water stays clean, please clean the filter cartridge every day and change when required.

PUMP WARRANTY

For information concerning pump warranty please visit our website at: www.bestwaycorp.com

PUMP DISPOSAL



Waste electrical products should not be disposed of with household waste. Please recycle where facilities exist. Check with your local authority or retailer for recycling advice.

BOMBA DE FILTRO MANUAL DO USUÁRIO

Visite o canal da Bestway no YouTube



ATENÇÃO INSTRUÇÕES IMPORTANTES PARA A SEGURANÇA LER E OBSERVAR TODAS AS INSTRUÇÕES

ATENÇÃO – RISCO DE CHOQUE ELÉTRICO – A bomba deve ser equipada com um transformador isolante ou alimentada através de um dispositivo de corrente residual (RCD) com uma tensão de funcionamento residual classificada que não exceda 30 mA. A ficha da bomba deverá estar, no mínimo, a 3,50 m de distância da piscina.

O equipamento deve ser equipado com uma fonte de alimentação com ligação a terra. É proibido o uso de extensões de alimentação.

ATENÇÃO – RISCO DE CHOQUE ELÉTRICO – A bomba não pode ser usada enquanto houver pessoas dentro da piscina.

NÃO ENTERRAR O FIO. Colocar o fio de modo a não estar próximo de cortadores de grama, aparadores de cercas e outros equipamentos.

ATENÇÃO - O cabo de alimentação não pode ser substituído. Caso o cabo esteja danificado, o aparelho deve ser eliminado.

CUIDADO – Esta bomba deve ser usada somente para piscinas que podem ser armazenadas. Não usar com piscinas de instalação permanente. Uma piscina armazenável é fabricada de modo que pode ser rapidamente desmontada para armazenagem e remontada para manter a sua integridade original. Uma piscina instalada permanentemente é construída no chão ou numa estrutura que não permite a desmontagem para armazenagem.

IMPORTANTE – É perigoso usar a bomba com alimentação elétrica sem correspondência porque poderá provocar uma falha irreparável da bomba.

RISCO DE CHOQUE ELÉTRICO – Quanto estiver trabalhando com eletricidade, desligar a potência elétrica do disjuntor e fechar a tampa do disjuntor. Se isto não for feito poderá provocar risco de choque, acidente e até morte.

NÃO REMOVER DE MANEIRA NENHUMA O FIO DE TERRA OU MODIFICAR O PLUGUE. NÃO USAR ADAPTADORES DE TOMADA. Consultar um electricista especializado para qualquer questão relativa à validade das próprias ligações de terra. Segurar a bomba com cuidado. Não puxar ou arrastar a bomba pelo fio de potência. Nunca deve ser puxado o plugue da tomada pelo fio. Manter o fio sem abrasões.

Objetos pontiagudos, óleo, partes em movimento, e quentes nunca devem ser expostas à bomba de filtro.

CUIDADO – Este equipamento pode ser usado por crianças de 8 anos de idade e superior e pessoas com capacidades físicas, sensoriais ou mentais reduzidas ou falta de experiência e conhecimento caso estes recebam supervisão ou instrução sobre o uso do equipamento de forma segura e compreendam os riscos envolvidos. As crianças não devem brincar com o aparelho. A limpeza e manutenção por parte do utilizador não deve ser realizada por crianças sem supervisão. (Para o mercado UE)

ATENÇÃO - Este aparelho não está concebido para ser utilizado por pessoas (incluindo crianças) com capacidades físicas, sensoriais ou mentais reduzidas ou falta de experiência e conhecimento, salvo se providos de supervisão ou instrução referente ao uso do aparelho por uma pessoa responsável pela sua segurança. As crianças devem ser supervisionadas para garantir que não brincam com o aparelho. (Para o mercado externo à UE)

A limpeza e manutenção devem ser realizadas por um adulto com idade superior a 18 anos e que tenha consciência do risco de choque eléctrico. Quando o aparelho não for utilizado por um longo período de tempo, como no Inverno, o conjunto de piscina deve ser desmontado e armazenado no interior.

CUIDADO - Leia as instruções antes de utilizar o aparelho e a cada instalação/montagem. O aparelho deve ser colocado a mais de 2m de distância da piscina. (Apenas para a França). As instalações eléctricas devem seguir as regras nacionais de cablagem. Consulte um electricista qualificado para quaisquer dúvidas.

Apenas os meios fornecidos ou especificados pelo fabricante devem ser utilizados na instalação do produto.

É fundamental verificar se as aberturas de sucção não estão obstruídas.

É aconselhável parar a filtração durante as operações de manutenção no sistema de filtração.

Verifique regularmente o nível de entupimento do filtro.

Recomenda-se uma verificação semanal para efectuar a limpeza.

Recomenda-se um período mínimo diário de filtração de 8 horas, para garantir água límpida na piscina.

É fundamental substituir qualquer elemento ou conjunto de elementos danificados assim que possível. Utilize apenas componentes aprovados pela pessoa responsável pela colocação do produto no mercado.

Todos os filtros e meios filtrantes devem ser verificados regularmente para garantir que não existe acumulação de detritos que possam impedir uma boa filtração. A eliminação de qualquer meio filtrante usado deve estar também em conformidade com os regulamentos/legislação aplicáveis.

Em caso de dúvida relativamente à bomba ou a qualquer dispositivo de circulação, contacte um instalador qualificado ou o fabricante/importador/distribuidor.

A instalação da circulação de água deve respeitar os regulamentos Europeus, assim como os locais/nacionais, especialmente quando se lida com questões eléctricas. Qualquer alteração na posição da válvula, no tamanho da bomba e no tamanho da grelha pode provocar uma mudança do fluxo, e a velocidade de sucção pode aumentar. Preste atenção a todos os requisitos e recomendações de segurança descritos no manual.

NOTA:

Recomenda-se para examinar o equipamento antes do uso. Comunicar à Bestway através do endereço do serviço de assistência constante neste manual, sobre qualquer dano ou partes faltantes no ato da compra. Verificar que os componentes do equipamento representem o modelo que se teve a intenção de comprar.

NOTA:

Colocar a bomba sobre um piso sólido ou numa superfície nivelada. A bomba nunca deve ser colocada numa área que pode acumular água, ou numa área onde houver passagem de pessoas ao redor da piscina.

É necessário que o plugue esteja acessível depois da instalação da piscina.

NOTA:

As condições atmosféricas podem afetar o desempenho e a durabilidade de sua bomba de filtro. Poderá haver desgaste desnecessário durante períodos de frio, calor e exposição ao sol. Na medida do possível evitar expor a bomba a tais condições. É importante fixar os plugues azuis fornecidos de fábrica para substituir os orifícios de entrada e saída da rede antes de remover ou por ocasião da manutenção da bomba.

NOTA:

Não acrescentar produtos químicos na bomba de filtro.

Não ligue ou desligue o equipamento com as mãos molhadas.

Desligue sempre o equipamento:

- Em dias chuvosos
- Antes de limpar ou realizar outro tipo de manutenção
- Deixe-o sem supervisão durante as férias

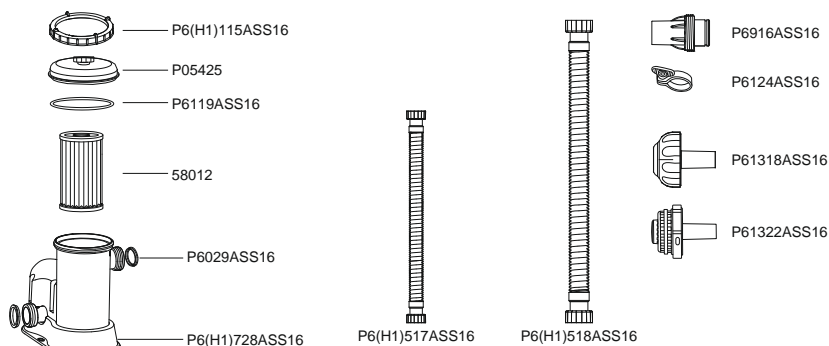
Instruções de armazenamento. Para reconstrução do conjunto de piscina em cada situação consulte sempre as instruções.

Caso as instruções estejam em falta, por favor contacte a Bestway ou procure-o no website: www.bestwaycorp.com

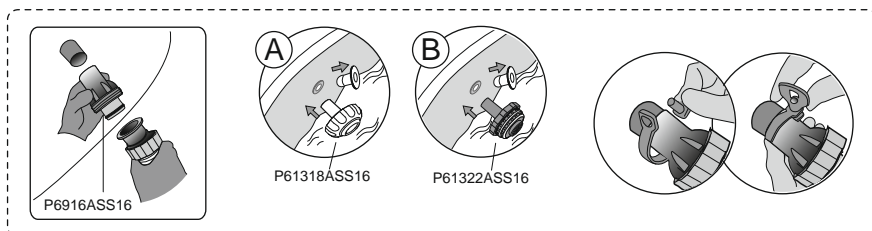
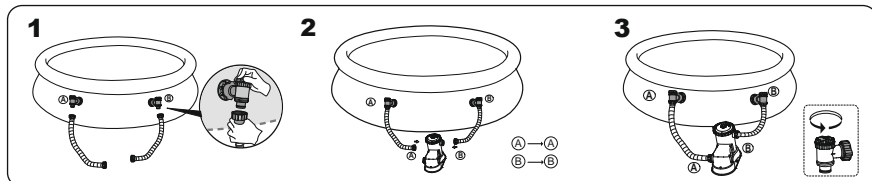
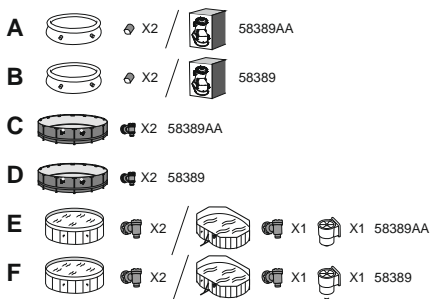
NOTA: Este produto não é destinado para uso comercial.

Por favor leia cuidadosamente o manual de instruções e guarde-o para referência futura.

GUARDAR ESTAS INSTRUÇÕES

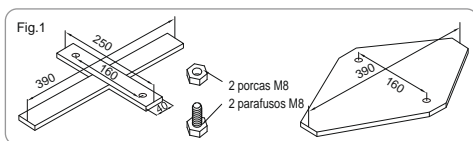


	A	B	C	D	E	F
P05425	1	1	1	1	1	1
P6(H1)115ASS16	1	1	1	1	1	1
P6119ASS16	1	1	1	1	1	1
58012	1	1	1	1	1	1
P6(H1)728ASS16	1	1	1	1	1	1
P6(H1)517ASS16	2	0	2	0	2	0
P6(H1)518ASS16	0	2	0	2	0	2
P6124ASS16	2	2	0	0	0	0
P6029ASS16	2	2	2	2	2	2
P6916ASS16	2	2	0	0	0	0
P61322ASS16	1	1	0	0	0	0
P61318ASS16	1	1	0	0	0	0



PEDESTAL DE FIXAÇÃO Fig.1

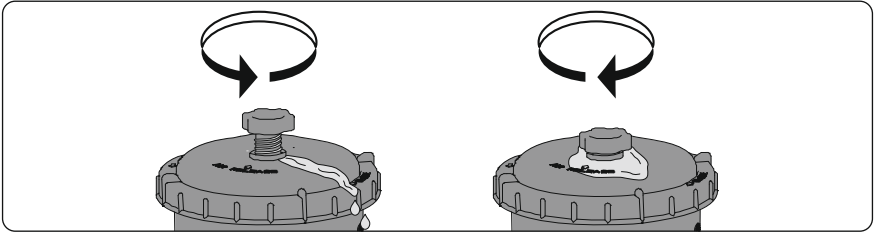
O padrão do teste EN60335-2-41 exige que a bomba do filtro deve ser fixada verticalmente no chão ou em um pedestal feito de madeira ou cimento antes do uso. Deve haver dois orifícios de 9mm de diâmetro no pedestal e o espaço entre eles deve ser de 160mm. Coloque a bomba do filtro no pedestal e fixe-as junto para afrouxar as porcas e os parafusos. Todas as partes do pedestal devem pesar mais de 18kg, para evitar uma queda acidental da bomba.



NOTA: É fundamental verificar se os conectores hidráulicos não estão obstruídos.

FUNCIONAMENTO

- 1) Abra/desaparafuse a Válvula de Purga de Ar no topo da Bomba de Filtro; o ar é libertado consoante a água preenche a Bomba de Filtro.
- 2) Quando a água sair da Válvula de Purga de Ar, aparafuse-a na posição fechada e limpe qualquer água restante.
- 3) Para iniciar a Bomba de Filtro, insira a tomada num dispositivo de corrente residual (RCD).
- 4) Para iniciar a Bomba de Filtro, insira a tomada num circuito de energia residual alternativa (DDR) Apenas Para a França.



IMPORTANTE: NÃO COLOQUE A BOMBA EM FUNCIONAMENTO SEM ÁGUA – Certifique-se que as válvulas de entrada e de saída da piscina estão cobertas de água antes de colocar a bomba em funcionamento.

MANUTENÇÃO DA BOMBA

PRECAUÇÃO: CERTIFIQUE-SE QUE A BOMBA DE FILTRAGEM ESTÁ DESACOPLADA ANTES QUE QUALQUER MANUTENÇÃO INICIE OU SE HOVER RISCO ELEVADO DE ACIDENTE OU MORTE.

- 1) Desligue a Bomba de Filtro.
- 2) Pare o fluxo de água para a Bomba de Filtro, consulte o manual da piscina.
- 3) Desaparafuse o Retentor da Tampa do Filtro e retire a Tampa do Filtro.
- 4) Limpe o Cartucho do Filtro com uma mangueira de jardim.
- 5) Insira o Cartucho do Filtro limpo (ou novo); certifique-se que está centrado na Bomba de Filtro.
- 6) Verifique se o Vedante da Tampa do Filtro está no local correcto.
- 7) Volte a colocar a Tampa do Filtro e aparafuse o Retentor da Tampa do Filtro na sua posição.
- 8) Abra as válvulas A e B.
- 9) Siga a secção de Instruções de Instalação da Bomba para preparar o sistema para utilização.

IMPORTANTE: Por motivos sanitários, sugerimos que substitua o Cartucho do Filtro por um novo a cada duas semanas. Lave o filtro diariamente.

ARMAZENAMENTO NA BOMBA

- 1) Desligue a Bomba de Filtro.
- 2) Interrompa o fluxo de água para a Bomba de Filtro e remova o Cartucho do Filtro.
- 3) Elimine o Cartucho do Filtro.
- 4) Desprenda todas as Mangueiras.
- 5) Seque cuidadosamente todos os componentes.
- 6) Armazene a bomba de filtro num local seco e fora do alcance das crianças.
Temperatura de armazenamento: 4-40 °C(39,2-104 F)
- 7) Esvazie a piscina de acordo com o Manual do Proprietário da Piscina.



Para garantir que a água da piscina fique limpa, será preciso que limpe o cartucho do filtro a cada dia e o mude quando for necessário.

GARANTIA DA BOMBA

Para informações no que concerne a garantia da bomba, por favor visite o site em: www.bestwaycorp.com

DESCARTE DA BOMBA



Os resíduos de produtos elétricos não devem ser eliminados com o lixo doméstico. Envie-os para reciclagem em instalações apropriadas. Consulte as autoridades locais ou o revendedor para obter informações sobre a reciclagem.

BOMBA DE FILTRO MANUAL DE INSTRUCCIONES

Visite el canal de YouTube de Bestway



ADVERTENCIA

INSTRUCCIONES IMPORTANTE DE SEGURIDAD LEER Y SEGUIR TODAS LAS INSTRUCCIONES

ADVERTENCIA – RIESGO DE SACUDIDA ELÉCTRICA – La bomba debe estar equipada con un transformador aislante o recibir alimentación eléctrica a través de un dispositivo diferencial residual (RCD) con una intensidad de corriente de régimen nominal no superior a 30 mA.

El enchufe de la bomba debe estar a una distancia de por lo menos 3,50 m de la piscina. El aparato debe estar equipado con una fuente de alimentación con toma de tierra. Prohibido el uso de cables de prolongación.

AVISO – RISCO DE SACUDIDA ELÉCTRICA – La bomba no puede ser usada cuando hayan personas dentro de la piscina.

NO ENTERRAR EL CABLE. Colocar el cable para minimizar los daños por parte del cortacésped, la segadora y otros aparatos.

ADVERTENCIA - El cable de alimentación no puede ser reemplazado. Si el cable está dañado, el artículo debe desecharse.

PRECAUCIÓN – Esta bomba ha de utilizarse sólo con piscinas que se pueden guardar. No utilizar con piscinas instaladas de modo permanente. Una piscina que se puede guardar es una piscina que se puede desmontar a la hora de almacenarla y volver a montar igual que antes. Una piscina permanente está construida en o sobre el terreno o en un edificio y no puede ser desmontada rápidamente para ser guardada.

IMPORTANTE – El uso de la bomba con una toma eléctrica inadecuada es peligroso y causaría la rotura catastrófica de la bomba.

RIESGO DE SACUDIDA ELÉCTRICA – Cuando se trabaja con la electricidad, apagar la energía eléctrica en el disyuntor y bloquear la puerta. Si no se hace esto, aumenta el riesgo de sacudidas, heridas y posible muerte.

NO QUITAR EL DIENTE DE PUESTA A TIERRA Y NO MODIFICAR LA CLAVIJA DE NINGÚN MODO. NO UTILIZAR CLAVIJAS DE ADAPTACIÓN. Consultar un electricista cualificado para cualquier pregunta relativa a la validez de la puesta a tierra de sus tomas. Manipular la bomba con cuidado. Nunca tirar o llevar la bomba a través del cable de alimentación. Nunca sacar una clavija de la toma dando un tirón. No dejar que el cable

sufra abrasiones. La bomba de filtro no tiene que ser expuesta a objetos cortantes, aceite, partes móviles y calor.

ADVERTENCIA – Este aparato puede ser utilizado por niños mayores de 8 años y personas con capacidades físicas, sensoriales o mentales disminuidas o con falta de experiencia y conocimiento si cuentan con la supervisión adecuada o reciben instrucciones precisas respecto al uso del aparato de una forma segura y comprenden los riesgos asociados. No permita que los niños jueguen con el aparato. Las operaciones de limpieza y mantenimiento no deben ser realizadas por niños sin supervisión. (Para el mercado de la UE)

ADVERTENCIA - Este aparato no está pensado para ser utilizado por personas (incluidos niños) con capacidades físicas, sensoriales o mentales reducidas o con falta de experiencia y conocimiento, a no ser que sea bajo supervisión o después de recibir instrucciones precisas respecto al uso del aparato de una persona responsable de su seguridad. En presencia de niños, mantenga el aparato bajo control para evitar que jueguen con él. (Solo para mercados distintos de la UE)

La limpieza y el mantenimiento son operaciones que deberá realizar un adulto mayor de 18 años familiarizado con el riesgo de descargas eléctricas. Cuando el aparato no se vaya a utilizar durante un tiempo (por ejemplo, en invierno), el kit de piscina debe guardarse en el interior.

PRECAUCIÓN - Lea las instrucciones antes de usar el aparato y durante la instalación o un nuevo montaje.

Este producto debe colocarse a una distancia superior a 2 m de la piscina. (Solo para Francia). Las instalaciones eléctricas deben cumplir la normativa nacional en materia de cableado. Consulte con un electricista cualificado para cualquier duda que tenga. Para la instalación del producto solo deben utilizarse los materiales proporcionados o especificados por el fabricante.

Es fundamental comprobar que las aperturas de succión no estén obstruidas.

Es aconsejable detener el filtrado durante las operaciones de mantenimiento del sistema de filtrado.

Compruebe regularmente el nivel de obstrucción del filtro.

Se recomienda realizar un control semanal para limpiarlo.

El tiempo de funcionamiento diario mínimo recomendado para garantizar la limpieza del agua de la piscina es de 8 horas.

Es fundamental cambiar cualquier pieza o conjunto de piezas dañadas lo antes posible. Utilice solo piezas aprobadas por la persona responsable de poner este producto en el mercado.

Todos los filtros y medios de filtrado deben ser comprobados regularmente para garantizar que no haya una acumulación de residuos, así como la buena calidad del filtrado. La eliminación de cualquier medio de filtrado debe efectuarse de acuerdo con las normativas/leyes aplicables.

En caso de duda acerca de la bomba o sobre cualquier dispositivo de circulación, póngase en contacto con un instalador cualificado o con el fabricante/importador/distribuidor. La instalación de circulación del agua debe cumplir con las normativas europeas, nacionales y locales, especialmente por lo que respecta a asuntos eléctricos. Cualquier cambio de posición de la válvula, del tamaño de la bomba o del tamaño de la rejilla podría causar un cambio en el caudal y la velocidad de succión podría aumentar. Preste atención a todos los requisitos y recomendaciones del presente manual.

NOTA:

Rogamos examinen el equipo antes del uso. Notificar a Bestway en la dirección del servicio de atención al cliente listada en este manual acerca de cualquier parte dañada o que falte. Verificar que los componentes del equipo representen el modelo que deseaba comprar.

NOTA:

Colocar la bomba en una cimentación o lugar nivelado. Poner atención a la hora de colocar la piscina y la bomba de modo que esté disponible una ventilación, un drenaje y un acceso para la limpieza adecuados. Nunca colocar la bomba en un área a donde se puede acumular agua, o en un área de paso alrededor de la piscina.

Es necesario que el enchufe sea accesible después de la instalación de la piscina.

NOTA:

Las condiciones atmosféricas pueden afectar el rendimiento y la duración de la vida de su bomba de filtro. Desgastes y roturas innecesarias pueden ocurrir durante periodos de frío, calor y exposición al sol. Cuando sea posible proteger la bomba de estas condiciones. Es importante asegurar las clavijas azules suministradas para los orificios de entrada y salida antes de efectuar sustituciones o mantenimiento en la bomba.

NOTA:

No añadir productos químicos en la bomba de filtro.

No enchufe ni desenchufe el aparato con las manos húmedas.

Desenchufe siempre el aparato:

- En días lluviosos
- Antes de limpiar o realizar otras operaciones de mantenimiento
- Sin supervisión durante las vacaciones

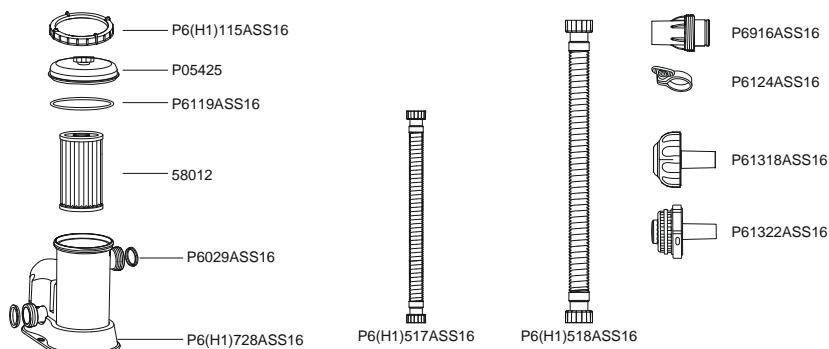
Guarde las instrucciones en un lugar seguro. Consulte siempre las instrucciones cuando deba volver a montar la piscina.

En caso de perder las instrucciones, póngase en contacto con Bestway o realice una búsqueda en la página web: www.bestwaycorp.com

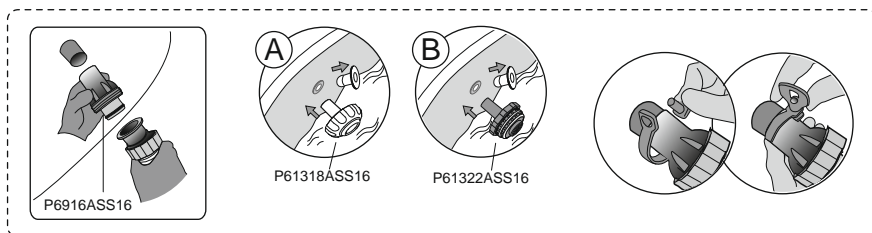
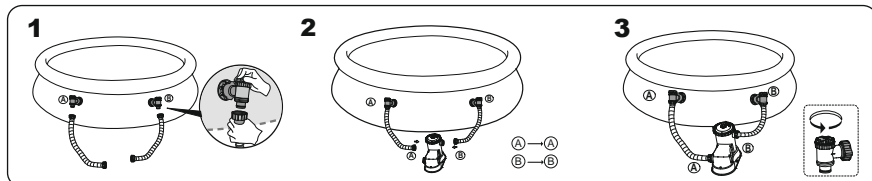
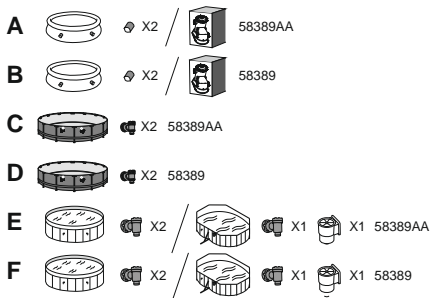
NOTA: Este producto no ha sido diseñado para un uso comercial.

Lea atentamente el manual de instrucciones y guárdelo para futuras consultas.

GUARDAR ESTAS INSTRUCCIONES.

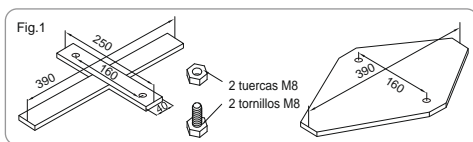


	A	B	C	D	E	F
P05425	1	1	1	1	1	1
P6(H1)115ASS16	1	1	1	1	1	1
P6119ASS16	1	1	1	1	1	1
58012	1	1	1	1	1	1
P6(H1)728ASS16	1	1	1	1	1	1
P6(H1)517ASS16	2	0	2	0	2	0
P6(H1)518ASS16	0	2	0	2	0	2
P6124ASS16	2	2	0	0	0	0
P6029ASS16	2	2	2	2	2	2
P6916ASS16	2	2	0	0	0	0
P61322ASS16	1	1	0	0	0	0
P61318ASS16	1	1	0	0	0	0



FIJACIÓN EN EL PEDESTAL Fig. 1

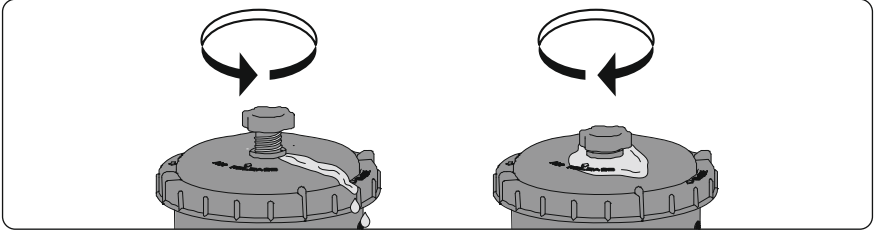
La norma EN 60335-2-41 TEST requiere que la bomba filtrante se fije verticalmente en el suelo o en un pedestal hecho de madera o cemento antes de su uso. Debe haber dos agujeros de 9 mm de diámetro en el pedestal, con un espacio de 160 mm entre ellos. Ponga la bomba de filtrado en el pedestal y fijelos ajustando los pernos y las tuercas. Todas las partes del pedestal deben pesar más de 18 Kgs como mínimo para evitar una caída accidental de la bomba.



NOTA: Es obligatorio comprobar que los conectores hidráulicos no estén cerrados.

FUNCIONAMIENTO

- 1) Abra/desenrosque la válvula de salida del aire en la parte superior de la bomba de filtrado; saldrá aire al tiempo que el agua llena la bomba de filtrado.
- 2) Cuando el agua fluya a través de la válvula de salida del aire, enrósquela y limpie cualquier resto de agua.
- 3) Para encender la bomba de filtrado, inserte la toma en un dispositivo diferencial residual (RCD).
- 4) Para encender la bomba de filtrado, inserte la toma en un circuito de potencia residual alternativa (DDR) (Solo Francia).



IMPORTANTE: NO DEJE QUE LA BOMBA DE FILTRADO FUNCIONE EN SECO - Asegúrese de que tanto las válvulas de entrada como las de salida de la piscina están totalmente cubiertas por el agua antes de hacer funcionar la bomba de filtrado.

MANTENIMIENTO DE LA BOMBA

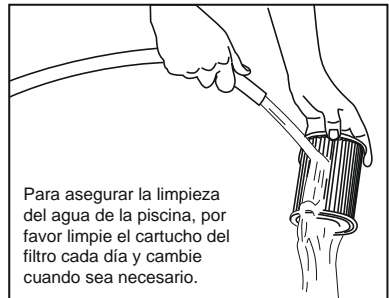
PRECAUCIÓN: DEBE ASEGURARSE DE QUE LA BOMBA DE FILTRADO ESTÁ DESCONECTADA ANTES DE EFECTUAR CUALQUIER OPERACIÓN DE MANTENIMIENTO, O SE PUEDE PRODUCIR UN RIESGO GRAVE DE DAÑOS O INCLUSO LA MUERTE.

- 1) Desenchufe la bomba de filtrado.
- 2) Detenga el flujo de agua de la bomba de filtrado (consulte el manual de la piscina).
- 3) Desenrosque el dispositivo de retención del tapón del filtro y retire el tapón.
- 4) Limpie el cartucho de filtro con una manguera de jardín.
- 5) Inserte el cartucho de filtro limpio (o nuevo) asegurando que esté centrado en la bomba de filtrado.
- 6) Compruebe que la junta del tapón del filtro esté en posición.
- 7) Cambie el tapón del filtro y enrosque el dispositivo de retención del tapón del filtro en posición.
- 8) Abra las válvulas A y B.
- 9) Siga las instrucciones de instalación de la bomba para preparar el sistema para su uso.

IMPORTANTE: Por motivos de higiene, sugerimos sustituir el cartucho de filtro por uno nuevo cada dos semanas. Enjuague el filtro a diario.

ALMACENAMIENTO DE LA BOMBA

- 1) Desenchufe la bomba de filtrado.
- 2) Detenga el caudal de agua hacia la bomba de filtrado y retire el cartucho del filtro.
- 3) Deseche el cartucho del filtro.
- 4) Desconecte todos los tubos.
- 5) Seque cuidadosamente todos los componentes.
- 6) Guarde la bomba de filtrado en un lugar seco y fuera del alcance de los niños.
Temperatura de conservación: 4-40 °C(39,2-104 F)
- 7) Drene la piscina de acuerdo con el correspondiente Manual de instrucciones.



Para asegurar la limpieza del agua de la piscina, por favor limpie el cartucho del filtro cada día y cambie cuando sea necesario.

GARANTÍA DE LA BOMBA

Para la información relativa a la garantía de la bomba, por favor visite nuestro sitio web: www.bestwaycorp.com

ELIMINACIÓN DE LA BOMBA



Los productos eléctricos no deben desecharse con la basura doméstica. Recicle en las instalaciones correspondientes. Consulte con las autoridades locales o su distribuidor para obtener consejos de reciclaje.

FILTERPUMPE

BENUTZERHANDBUCH

Besuchen Sie den YouTube-Kanal von Bestway 



ACHTUNG

WICHTIGE SICHERHEITSAUWEISUNGEN

LESEN UND BEFOLGEN SIE ALLE ANWEISUNGEN

ACHTUNG: RISIKO VON ELEKTRISCHEN SCHLÄGEN: Die Pumpe muss über einen Trenntransformator oder über eine Fehlerstrom-Schutzeinrichtung (RCD) mit einem Ansprechdifferenzstrom von nicht mehr als 30mA versorgt werden.

Der Netzstecker der Pumpe muss mindestens 3,50m vom Pool entfernt sein.

Das Gerät muss von einer geerdete Stromquelle mit Spannung versorgt werden

Es können keine Verlängerungskabel verwendet werden.

ACHTUNG: Die Pumpe darf nicht benutzt werden, wenn sich Personen im Wasser aufhalten.

STROMKABEL NICHT EINGRABEN. Verlegen Sie das Kabel so, dass die Gefahr durch Rasenmäher, Heckenscheren und andere Geräte minimiert wird.

ACHTUNG: Das Netzkabel kann nicht ausgetauscht werden. Sollte das Kabel beschädigt sein, muss das Gerät entsorgt werden.

VORSICHT: Diese Pumpe ist nur für Verwendung in Pools, die abgebaut werden können.

Verwenden Sie sie nicht in permanent installierten Pools. Ein Pool, der abgebaut werden

kann, ist so konstruiert, dass er zur Lagerung leicht auseinander genommen und wieder ganz aufgebaut werden kann. Ein permanent installierter Pool ist im oder auf dem Boden oder in einem Gebäude aufgebaut, so dass er nicht zur Lagerung auseinander genommen werden kann.

WICHTIG: Wenn die Pumpe mit einer unpassenden Stromversorgung benutzt wird, ist das gefährlich und kann zu einem katastrophalen Versagen der Pumpe führen.

RISIKO VON ELEKTRISCHEN SCHLÄGEN: Wenn Sie an elektrischen Anlagen arbeiten, schalten Sie mit dem Hauptschalter und der Hauptsicherung den Stromkreis ab. Wird das nicht getan, besteht erhöhtes Risiko von elektrischen Schlägen, Verletzung und möglicher Weise Todesgefahr.

ENTFERNEN SIE AUF KEINEN FALL DEN ERDUNGSSTIFT UND ÄNDERN SIE DEN STECKER AUF KEINE WEISE. BENUTZEN SIE KEINE ADAPTER – STECKDOSEN.

Wenden Sie sich bei Fragen über die Gültigkeit der Erdung ihrer Stecker an einen qualifizierten Fachelektriker.

Behandeln Sie die Pumpe mit Sorgfalt. Ziehen oder tragen Sie die Pumpe nicht am Stromkabel.

Ziehen Sie den Stecker nie am Kabel aus der Steckdose. Sorgen Sie dafür, dass das Kabel nicht abgeschabt wird. Scharfe Gegenstände, Öl, bewegliche Teile und Hitze sollten von der Filterpumpe

ferngehalten werden.

ACHTUNG: Dieses Gerät kann von Kindern ab 8 Jahren und darüber sowie von Personen mit verringerten physischen, sensorischen oder mentalen Fähigkeiten oder Mangel an Erfahrung und Wissen benutzt werden, wenn sie beaufsichtigt oder bezüglich des sicheren Gebrauchs des Gerätes unterwiesen wurden und die daraus resultierenden Gefahren verstehen. Kinder dürfen nicht mit dem Gerät spielen. Reinigung und Benutzer-Wartung dürfen nicht von Kindern ohne Beaufsichtigung durchgeführt werden. (Für den EU-Markt)

ACHTUNG: Dieses Gerät darf nicht von Personen (inklusive Kinder) mit physischen, sensorischen oder mentalen Einschränkungen oder mangelnder Erfahrung und mangelnden Kenntnissen benutzt werden, wenn diese nicht durch eine für ihre Sicherheit verantwortliche Person entsprechend beaufsichtigt werden oder mit der Bedienung des Gerätes und den damit verbundenen Gefahren vertraut gemacht wurden. Kinder müssen während der Nutzung beaufsichtigt werden, um sicherzustellen, dass sie nicht mit dem Gerät spielen. (Für Nicht-EU-Märkte)

Reinigung und Wartung durch den Benutzer müssen von einem mindestens 18 Jahre alten Erwachsenen durchgeführt werden, der mit den Gefahren eines elektrischen Schlages vertraut ist. Wird das Gerät für einen längeren Zeitraum nicht benutzt (z. B. im Winter), muss das Poolset demontiert und in Innenräumen gelagert werden.

VORSICHT: Bitte lesen Sie diese Anweisungen jedes Mal durch, bevor Sie das Gerät benutzen oder installieren/montieren.

Der Standort dieses Geräts muss sich mehr als 2 m vom Swimmingpool entfernt befinden. (Nur für Frankreich). Die Installation von Elektrogeräten muss den lokalen und nationalen Elektrovorschriften entsprechen. Wenden Sie sich wegen jeglicher Fragen an einen Fachelektriker. Bei der Produktinstallation sind nur die vom Hersteller gelieferten oder angegebenen Medien zu verwenden.

Es ist unbedingt notwendig zu prüfen, dass die Ansaugöffnungen nicht blockiert sind.

Es ist empfehlenswert, die Filterung während der Wartungseingriffe auf dem Filtersystem zu stoppen.

Überprüfen Sie den Filter regelmäßig auf Verstopfungen.

Es wird eine wöchentliche Kontrolle für die Reinigung empfohlen.

Um sauberes Poolwasser zu garantieren, wird eine tägliche Mindestbetriebsdauer von acht Stunden empfohlen.

Es ist unbedingt notwendig, jegliche beschädigte Elemente oder Elementgruppen so schnell wie möglich zu ersetzen. Verwenden Sie nur die vom Hersteller empfohlenen Teile.

Alle Filter und Filtermedien müssen regelmäßig untersucht werden, um sicherzustellen, dass keine Schmutzansammlungen vorliegen, die eine korrekte Filterung verhindern. Die Entsorgung jeglicher gebrauchter Filtermedien muss in Einklang mit den geltenden Vorschriften/Gesetzen erfolgen.

Im Fall von Zweifeln hinsichtlich der Pumpe oder Umwälzvorrichtungen wenden Sie sich bitten

an einen Installationsfachmann oder an den Hersteller/Importeur/Händler.

Die Installation der Wasserzirkulation muss im Einklang mit den europäischen sowie den nationalen/lokalen Bestimmungen erfolgen, insbesondere wenn es sich um elektrische Fragen handelt.

Jegliche Änderungen der Ventilposition, Pumpen-oder Gittergröße kann zu einer Änderung des Durchflusses und einer Erhöhung der Ansauggeschwindigkeit führen.

Beachten Sie alle im Handbuch beschriebenen Sicherheitsvorschriften und Empfehlungen.

ANMERKUNG:

Bitte untersuchen Sie das Gerät vor der Inbetriebnahme. Benachrichtigen Sie den Kundendienst von Bestway an der Adresse, die in diesem Handbuch angegeben ist, sollten Teile zum Zeitpunkt des Kaufs beschädigt sein oder fehlen. Vergewissern Sie sich, dass die Gerätkomponenten die Modelle sind, welche Sie zu kaufen beabsichtigt haben.

ANMERKUNG:

Stellen Sie die Pumpe auf einem soliden Fundament auf, oder legen Sie ein ebenes Brett unter. Ebenso sollte guter Zugang für die Reinigung vorhanden sein. Stellen Sie die Pumpe nie in einem Bereich auf, in dem sich Wasser ansammeln kann, oder in einem Bereich, wo rund um den Pool ständiger Fußgängerverkehr ist.

Nach dem Aufbau des Pools muss der Stecker notwendigerweise erreichbar sein.

ANMERKUNG:

Witterungsbedingungen können die Leistung und die Lebensdauer Ihrer Filterpumpe beeinflussen. Unnötiger Verschleiß kann bei Kälteperioden, besonderer Hitze oder durch Sonneneinstrahlung erfolgen. Schützen Sie die Pumpe so weit wie möglich vor diesen Bedingungen.

Es ist wichtig, sicher zu stellen, dass die werkseitig gelieferten blauen Stöpsel für die Einlass-und Auslassöffnungen die Schmutzsiebe ersetzen, bevor der Pool abgebaut, oder an ihm Wartungsarbeiten vorgenommen werden.

ANMERKUNG:

Verwenden Sie keine Chemikalien in der Filterpumpe.

Stecken Sie das Gerät nicht mit nassen Händen ein oder aus.

Stecken Sie das Gerät immer aus:

- An Regentagen
- Bevor Reinigungs-oder Wartungsarbeiten durchgeführt werden
- Wenn Sie das Produkt während des Urlaubs unbeaufsichtigt lassen

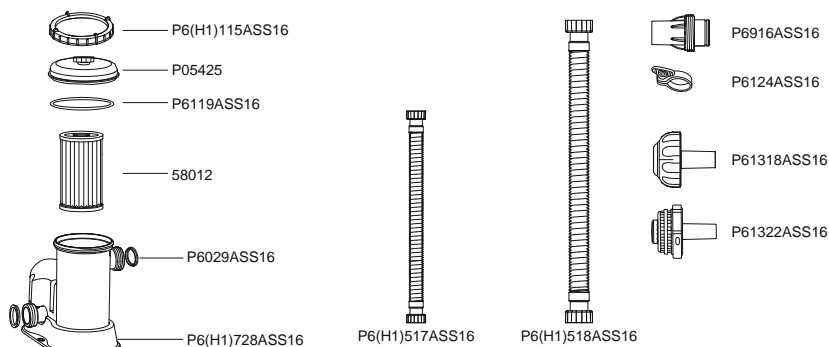
Bewahren Sie diese Anweisungen sorgfältig auf. Beachten Sie bei jedem erneuten Aufbau des Pools diese Anweisungen.

Sollten diese Anweisungen verloren gehen, kontaktieren Sie Bestway oder suchen Sie das Dokument auf unserer Website: www.bestwaycorp.com

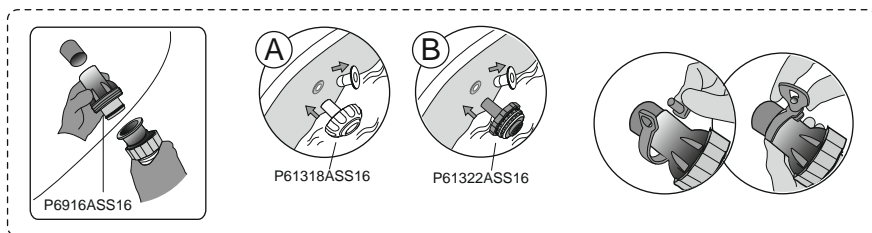
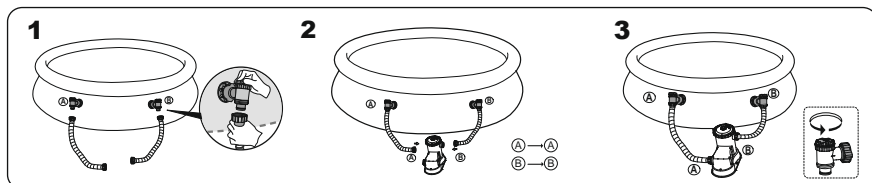
ANMERKUNG: Dieses Produkt darf nicht für kommerzielle Zwecke benutzt werden.

Bitte lesen Sie das Handbuch sorgfältig durch und bewahren Sie es als künftige Referenz auf.

BEWAHREN SIE DIESE ANWEISUNGEN AUF.

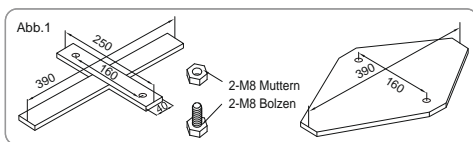


	A	B	C	D	E	F
P05425	1	1	1	1	1	1
P6(H1)115ASS16	1	1	1	1	1	1
P6119ASS16	1	1	1	1	1	1
58012	1	1	1	1	1	1
P6(H1)728ASS16	1	1	1	1	1	1
P6(H1)517ASS16	2	0	2	0	2	0
P6(H1)518ASS16	0	2	0	2	0	2
P6124ASS16	2	2	0	0	0	0
P6029ASS16	2	2	2	2	2	2
P6916ASS16	2	2	0	0	0	0
P61322ASS16	1	1	0	0	0	0
P61318ASS16	1	1	0	0	0	0



SOCKELBEFESTIGUNG Abb.1

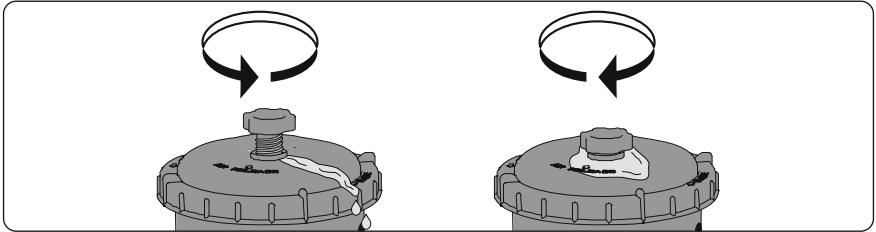
EN60335-2-41 TEST Standardanforderungen Die Filterpumpe muss in vertikaler Lage am Boden oder einem zuvor ausgeführten Fundament aus Holz oder Beton befestigt werden. Das Fundament muss zwei Bohrungen mit einem Durchmesser von 9mm und einem Abstand von 160mm aufweisen. Setzen Sie die Filterpumpe auf das Fundament und befestigen Sie sie mit Schrauben und Muttern. Alle Teile des Fundaments sollte mehr als 18kg wiegen, um das Fallen der Pumpe zu vermeiden.



HINWEIS: Es ist absolut notwendig zu prüfen, dass die Hydraulikanschlüsse nicht verstopft sind.

BETRIEB

- 1) Öffnen/lösen Sie das Entlüftungsventil an der Oberseite der Filterpumpe; die Filterpumpe füllt sich mit Wasser und die Luft entweicht.
- 2) Wenn Wasser aus dem Entlüftungsventil fließt, schrauben Sie das Ventil zu und wischen Sie jegliches Wasser auf.
- 3) Stecken Sie den Netzstecker in eine Steckdose mit Fehlerstrom-Schutzeinrichtung (RCD) ein, um die Filterpumpe zu starten.
- 4) Nur für Frankreich: Stecken Sie den Netzstecker in eine Steckdose mit einer DDR-Fehlerstrom-Schutzeinrichtung ein, um die Filterpumpe zu starten.



WICHTIG: LASSEN SIE DIE FILTERPUMPE NICHT TROCKEN LAUFEN – Stellen Sie vor dem Einschalten der Filterpumpe sicher, dass Einlass- und Auslassventile des Pools unterhalb des Wasserspiegel liegen.

WARTUNG DER PUMPE

VORSICHT: STELLEN SIE SICHER, DASS DER STECKER DER FILTERPUMPE AUS DER STECKDOSE GEZOGEN IST, BEVOR MIT DER WARTUNG BEGONNEN WIRD, SONST BESTEHT ERNSTE VERLETZUNGS-ODER SOGAR TODESGEFAHR.

- 1) Ziehen Sie den Netzstecker der Filterpumpe.
- 2) Stoppen Sie den Wasserfluss zur Filterpumpe (siehe Benutzerhandbuch des Pools).
- 3) Lösen Sie den Überwurfing und entfernen Sie die Verschlusskappe des Filters.
- 4) Reinigen Sie die Filterkartusche mit einem Gartenschlauch.
- 5) Setzen Sie die gereinigte (oder neue) Filterkartusche ein, vergewissern Sie sich, dass sie sich mittig in der Filterpumpe befindet.
- 6) Stellen Sie sicher, dass die Verschlusskappendichtung des Filters korrekt angebracht ist.
- 7) Ersetzen Sie die Verschlusskappe und verschrauben Sie den Überwurfing in seiner Position.
- 8) Öffnen Sie die Ventile A und B.
- 9) Befolgen Sie die Anweisungen zur Installation der Pumpe, um das System auf die Benutzung vorzubereiten.

WICHTIG: Aus hygienischen Gründen empfehlen wir, die Filterkartusche alle zwei Wochen durch eine neue zu ersetzen. Spülen Sie den Filter täglich.

LAGERUNG DER PUMPE

- 1) Ziehen Sie den Netzstecker der Filterpumpe.
- 2) Stoppen Sie den Wasserfluss in die Filterpumpe und entfernen Sie die Filterkartusche.
- 3) Entfernen Sie die Filterkartusche.
- 4) Lösen Sie alle Schläuche.
- 5) Trocknen Sie alle Komponenten sorgfältig.
- 6) Lagern Sie die Filterpumpe an einem trockenen Ort außerhalb der Reichweite von Kindern. Lagertemperatur: 4-40 °C(39,2-104 F)
- 7) Lassen Sie das Poolwasser wie im Benutzerhandbuch des Pools beschrieben ab.



Damit das Wasser rein bleibt, reinigen Sie die Filterkartusche bitte täglich und wechseln Sie diese gegebenenfalls aus.

PUMPENGARANTIE

Bitte besuchen Sie unsere Webseite für Informationen zur Pumpengarantie: www.bestwaycorp.com


ENTSORGUNG DER PUMPE



Elektroaltgeräte dürfen nicht über den Hausmüll entsorgt werden. Bitte geben Sie das Produkt zum Recyceln an eine entsprechende Einrichtung. Erkundigen Sie sich dafür bei Ihrer örtlichen Behörde oder Ihrem Händler.

SUODATINPUMPPU KÄYTTÖOPAS

Käy katsomassa Bestwayn

YouTube-kanavaa 



VAROITUS

TÄRKEITÄ TURVALLISUUSOHJEITA LUE JA NOUDATA KAIKKIA OHJEITA

VAROITUS – SÄHKÖISKUN VAARA. Pumppu tulee suojata suojaerotusmuuntajalla tai vikavirtasuojalla (RCD), jonka toimintavirta ei ylitä 30 mA.

Pumpun pistokkeen tulee sijaita vähintään 3,50 metrin päässä altaasta.

Laite on kytkettävä maadoitettuun virtalähteeseen.

Jatkojohtoja ei saa käyttää.

VAROITUS – SÄHKÖISKUVAARA. Pumpua ei saa käyttää, kun altaassa on ihmisiä.

ÄLÄ PIILOTA JOHTOA. Sijoita johto niin, etteivät ruohonleikkurit, pensasleikkurit tai muut laitteet pääse vahingoittamaan sitä.

VAROITUS - Virtajohtoa ei voi vaihtaa. Jos johto vaurioituu, laite on hävitettävä.

HUOMIO – Tätä pumpppua käytetään vain varastoitaviin altaisiin. Älä käytä kiinteästi asennettuihin altaisiin. Varastoitava allas on valmistettu siten, että se voidaan nopeasti purkaa varastointia varten ja koota uudelleen.

Kiinteästi asennettu allas on rakennettu joko maahan tai rakennukseen niin, ettei sitä voi helposti purkaa varastointia varten.

TÄRKEÄÄ – Pumpun käyttäminen väärällä virralla on vaarallista ja rikkoo pumpun.

SÄHKÖISKUN VAARA – Tehdessäsi sähkötoita katkaise virta katkaisijasta ja lukitse katkaisijan ovi. Mikäli näin ei toimita, sähköiskun, loukkaantumisen ja mahdollisen kuoleman vaara kasvaa.

ÄLÄ IRROTA MAADOITETTUA PISTOKETTA TAI MUUTA SITÄ MITENKÄÄN. ÄLÄ KÄYTÄ MAADOITTAMATTOMIA PISTOKKEITA.

Käänny pätevän sähköasentajan puoleen pistokkeesi maadoitusta koskevissa kysymyksissä.

Käsittele pumpppua varovasti. Älä vedä tai kanna pumpppua virtajohdosta.

Älä koskaan irrota pistoketta pistorasiasta virtajohdosta vetämällä. Varo

johtoa hankautumasta. Suodatinpumppu on suojattava teräviltä esineiltä, öljyltä, liikkuvilta osilta ja kuumuudelta.

VAROITUS – Tätä laitetta saa käyttää yli 8-vuotiaat lapset ja henkilöt, joiden fyysiset, aistinvaraiset tai henkiset kyvyt ovat heikentyneet tai joilta puuttuu kokemus ja taidot, mikäli heitä on neuvottu ja ohjeistettu laitteen käyttöön turvallisella tavalla ja he ymmärtävät siihen liittyvät vaarat. Lapset eivät saa leikkiä laitteella. Puhdistusta ja käyttäjän tekemää huoltoa ei saa jättää lasten tehtäväksi ilman valvontaa. (EU:ta varten)

VAROITUS - Tämä tuote ei ole tarkoitettu seuraavien ryhmien käyttöön: lapset ja fyysisistä, henkisistä tai aistirajoitteista kärsivät tai kokemattomat tai tietotasoltaan rajoitetut henkilöt. Kyseiset henkilöt voivat kuitenkin käyttää tuotetta, jos he ovat saaneet opastusta tai ohjeita tuotteen turvalliseen käyttöön henkilöltä, joka on vastuussa heidän turvallisuudestaan. Lapsia tulee valvoa sen varmistamiseksi, että he eivät leiki tällä laitteella. (EU:n ulkopuoliset markkinat) Tuotteen saa huoltaa ja puhdistaa vain yli 18-vuotias aikuinen, joka ymmärtää sähköiskun vaarat. Jos laitetta ei käytetä pitkään aikaan, esim. talvella, se tulisi purkaa osiin ja säilyttää sisätiloissa.

HUOMIO - Lue ohjeet aina ennen tuotteen käyttöä ja asennusta/uudelleenasennusta.

Laite on sijoitettava yli 2 metrin päähän altaasta. (Vain Ranska).

Sähköasennukset tulee tehdä kansallisten säännösten mukaisesti. Jos sinulla on kysyttävää, ota yhteyttä pätevään sähköasentajaan.

Tuotteen asennuksen yhteydessä saa käyttää ainoastaan valmistajan toimittamia tai määrittämiä aineita.

On olennaisen tärkeää tarkistaa, että imuaukot eivät ole suljetut.

On suositeltavaa keskeyttää suodatus suodatusjärjestelmän huoltotoimien ajaksi.

Tarkkaile säännöllisesti suodattimen tukkeutumisastetta.

Puhdistusta varten suositellaan viikottaista tarkistusta.

Jotta altaan vesi pysyy kirkkaana, suositellaan suodatuksen käyttöä vähintään 8 tunnin ajan päivittäin.

Vaurioituneet elementit tai elementtisarjat on olennaisen tärkeää vaihtaa mahdollisimman pian. Käytä ainoastaan osia, jotka tuotteen markkinoille tuomisesta vastaava henkilö on hyväksynyt.

Kaikki suodattimet ja suodatinaines on tarkistettava säännöllisen väliajoin sen varmistamiseksi, ettei niihin ole kertynyt roskaa, joka estäisi kunnollisen suodatuksen. Myös käytettävän suodatinaineksen hävittämisen on tapahduttava voimassa olevien säännösten tai lainsäädännön mukaisesti.

Jos pumpun tai kiertojärjestelmän laitteiden suhteen herää jotain epäilyksiä, ota yhteyttä pätevään asentajaan tai valmistajaan/maahantuojaan/jälleenmyyjään.

Vesikierron asennus on tehtävä eurooppalaisten sekä kansallisten/paikallisten määräysten mukaisesti, etenkin silloin kun on kyse sähköön liittyvistä asioista. Venttiiliin paikkaan, pumpun kokoon tai ritilän kokoon liittyvä muutos voi aiheuttaa muutoksen virtaukseen ja nopeuttaa imua.

Noudata kaikkia käyttöohjeen turvallisuusvaatimuksia ja suosituksia.

HUOMAUTUS:

Tarkista laite ennen käyttöä. Ilmoita vahingoittuneista tai puuttuvista osista Bestwayn asiakaspalveluun tässä oppaassa mainituissa osoitteissa. Varmista, että laitteen osat kuuluvat hankkimaasi malliin.

HUOMAUTUS:

Sijoita pumppu kiinteälle alustalle tai vaakasuoralle laudalle. Asenna allas ja pumppu sellaiseen paikkaan, että tuuletus, kuivatus ja puhdistus onnistuvat. Älä sijoita pumppua paikkaan, johon kertyy vettä, tai jossa kuljetaan. Pistokkeen tulee olla helposti saatavilla altaan asennuksen jälkeen.

HUOMAUTUS:

Sääolot voivat vaikuttaa suodatinpumpun suorituskykyyn ja käyttöikään. Kylmyys, kuumuus ja auringolle altistuminen voivat aiheuttaa tarpeetonta kulumista. Suojaa pumppu näiltä olosuhteilta aina kun mahdollista. Ennen pumpun irrottamista tai huoltamista on tärkeää varmistaa, että suojusten tilalla sisään-ja ulostuloaukoissa on tehtaan asettamat siniset tulpat.

HUOMIO:

Älä lisää kemikaaleja suodatinpumppuun.

Älä kytke laitetta virtalähteeseen tai irrota sitä virtalähteestä, kun kätesi ovat märät.

Irrota laite virtalähteestä aina:

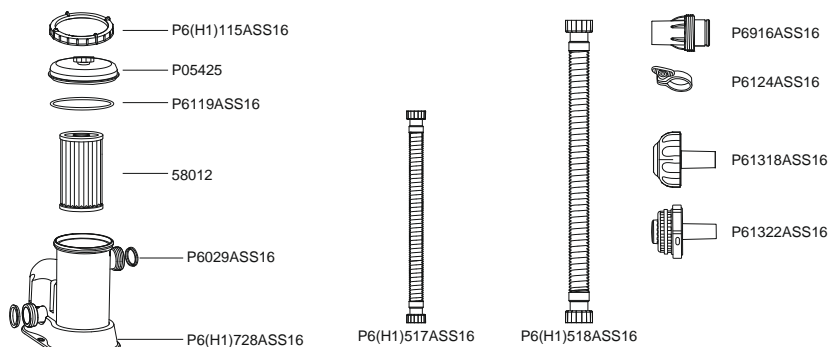
- Sateella
- Ennen puhdistusta ja muuta kunnossapitoa
- Jätä vartioimatta lomakausien ajaksi

Ohjeiden säilytys. Joka kerta kun kokoat altaan uudestaan, lue aina ohjeet. Jos ohjeet puuttuvat, ota yhteyttä Bestwayhin tai hae ne verkkosivustolta: www.bestwaycorp.com.

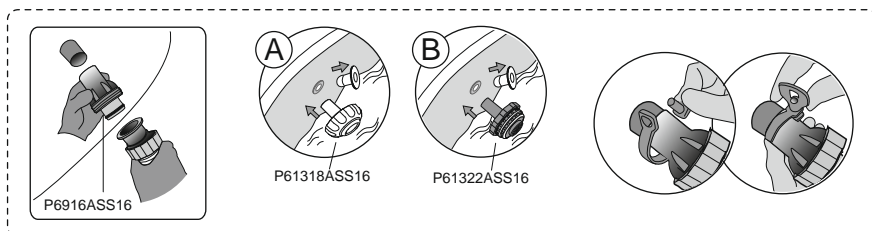
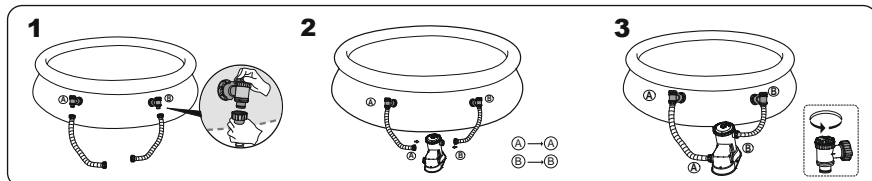
MUISTUTUS: Tätä tuotetta ei ole tarkoitettu kaupalliseen käyttöön.

Lue käyttöohje huolellisesti ja säilytä mahdollista tulevaa tarvetta varten.

SÄILYTÄ NÄMÄ OHJEET.

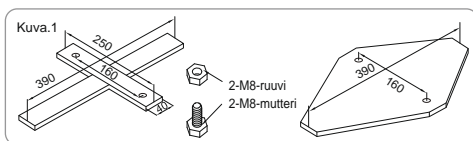


	A	B	C	D	E	F
P05425	1	1	1	1	1	1
P6(H1)115ASS16	1	1	1	1	1	1
P6119ASS16	1	1	1	1	1	1
58012	1	1	1	1	1	1
P6(H1)728ASS16	1	1	1	1	1	1
P6(H1)517ASS16	2	0	2	0	2	0
P6(H1)518ASS16	0	2	0	2	0	2
P6124ASS16	2	2	0	0	0	0
P6029ASS16	2	2	2	2	2	2
P6916ASS16	2	2	0	0	0	0
P61322ASS16	1	1	0	0	0	0
P61318ASS16	1	1	0	0	0	0



JALUSTAN KIINNITYS Kuva 1

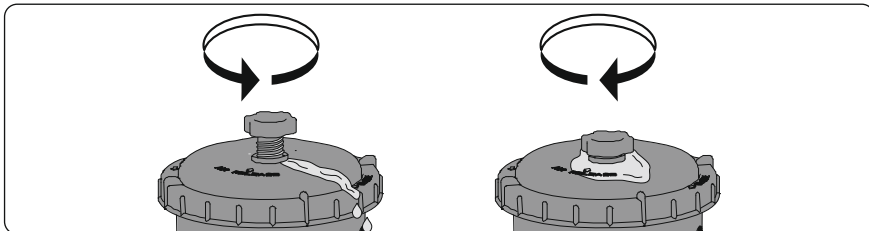
Standardi EN 60335-2-41 edellyttää, että suodatinpumppu asennetaan pystysuoraan maahan tai tietynlaiselle, puusta tai betonista tehdylle, alustalle ennen käyttöä. Jalustassa tulisi olla kaksi 9 mm läpimittaista reikää 160 mm etäisyydellä toisistaan. Aseta suodatinpumppu jalustalle ja liitä ne yhteen kiristämällä pultit ja mutterit. Kaikkien jalustan osien tulisi painaa yhteensä vähintään 18 kg, jotta ne estävät pumppua kaatumasta.



HUOMAA: On erittäin tärkeää tarkistaa, että hydrauliliittimet eivät ole tukossa.

KÄYTTÖ

- 1) Avaa/irrota ilmanpoistventtiilin ruuvi suodatinpumpun päältä; ilma poistuu veden täyttäessä suodatinpumpun.
- 2) Ruuvaa ilmanpoistventtiili kiinni, kun sieltä alkaa tulla vettä, ja kuivaa vesi pois.
- 3) Käynnistä suodatinpumppu asettamalla tulppa vikavirtasuojaan (RCD).
- 4) Käynnistä suodatinpumppu asettamalla tulppa vaihtoehtoiseen jännönsvirtapiiriin (DDR) Koskee vain Ranskaa.



TÄRKEÄÄ: ÄLÄ KUIVAKÄYTÄ PUMPPUA – Varmista ennen suodatinpumpun käyttöä, että sekä altaan tuloventtiili että lähtöventtiili on täysin veden peitossa.

PUMPUN HUOLTO

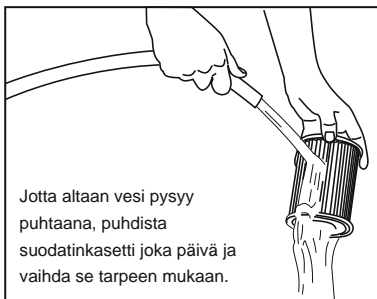
HUOMIO: VARMISTA ENNEN MITÄÄN HUOLTOTOIMENPITEITÄ, ETTEI SUODATINPUMPPUA OLE KYTKETTY SÄHKÖVERKKOON VAKAVAN LOUKKAANTUMISEN JA KUOLEMAN VAARAN VÄLTÄMISEKSI.

- 1) Irrota pumppu sähkövirrasta.
- 2) Estä veden pääsy suodatinpumppuun, ks. altaan manuaali.
- 3) Ruuvaa suodatintimen korkin kiristin auki ja poista suodatintimen korkki.
- 4) Puhdista suodatinpatruuna puutarhahetkellä.
- 5) Tarkista, että puhdistettu (tai uusi) suodatinpatruuna on suodatinpumppuun nähden keskellä.
- 6) Tarkista, että suodatintimen korkin tiiviste on paikallaan.
- 7) Pane suodatintimen korkki takaisin paikalleen ja kiristä suodatintimen korkin kiinnitin paikalleen.
- 8) Avaa venttiilit A ja B.
- 9) Noudata Pumpun asennusohjeet -kohtaa järjestelmän valmistelemiseksi käyttöä varten.

TÄRKEÄÄ: Suodatinpatruuna suositellaan hygieenisyyssyistä vaihdettavaksi uuteen kahden viikon välein. Huuhtelee suodatin päivittäin.

PUMPUN SÄILYTTÄMINEN

- 1) Irrota pumppu sähkövirrasta.
- 2) Pysäytä vedentulo suodatinpumppuun ja poista suodatinpatruuna.
- 3) Hävitä suodatinpatruuna.
- 4) Irrota kaikki letkut.
- 5) Kuivaa kaikki osat huolellisesti.
- 6) Säilytä pumppua kuivassa paikassa poissa lasten ulottuvilta. Säilytyslämpötila: 4-40 °C(39.2-104 F)
- 7) Tyhjennä allas sen käyttöohjeiden mukaisesti.



Jotta altaan vesi pysyy puhtaana, puhdista suodatinkasetti joka päivä ja vaihda se tarpeen mukaan.

PUMPUN TAKUU

Tietoja pumpun takuusta on web-sivustollamme osoitteessa: www.bestwaycorp.com

PUMPUN HÄVITTÄMINEN



Sähköromua ei tule hävittää kotitalousjätteen mukana. Vie asianmukaisiin keräys- ja kierrätyspisteisiin. Tarkista kierrätysohjeet paikallisilta viranomaisilta tai jälleenmyyjältä.

FILTERPOMP HANDLEIDING

Bezoek het Bestway YouTube-kanaal



WAARSCHUWING

BELANGRIJKE VEILIGHEIDSINSTRUCTIES

LEES ALLE INSTRUCTIES EN VOLG ZE OP

WAARSCHUWING – RISICO VAN ELEKTRISCHE SCHOK – De pomp moet gevoed worden door een scheidingstransformator of via een aardlekschakelaar (RCD) met een aardlekstroom van maximaal 30 mA.

De plug van de pomp moet meer dan 3,5m verwijderd zijn van het zwembad.

Het apparaat moet voorzien zijn van een geaarde voedingsbron.

Verlengsnoeren mogen niet worden gebruikt.

WAARSCHUWING – RISICO VAN ELEKTRISCHE SCHOK – De pomp mag niet worden gebruikt als er mensen in het zwembad zijn.

GRAAF HET SNOER NIET IN. Zorg ervoor dat het snoer niet kan worden beschadigd door grasmaaiers, heggenscharen of andere machines.

WAARSCHUWING - De stroomkabel kan niet worden vervangen. Als de kabel beschadigd is, moet het toestel afgevoerd worden.

LET OP – Deze pomp mag uitsluitend worden gebruikt voor zwembaden die opgeslagen kunnen worden. Gebruik de pomp niet voor blijvend geïnstalleerde zwembaden. Een zwembad dat opgeslagen kan worden, is zo gebouwd dat het snel kan worden ontmanteld voor opslag en ook weer snel kan worden opgebouwd. Een blijvend geïnstalleerd zwembad staat zodanig in of op de grond of in een structuur dat het niet snel kan worden ontmanteld voor opslag.

BELANGRIJK – Het gebruik van de pomp met een niet-bijpassende stroombron is gevaarlijk en brengt onherstelbare schade aan de pomp toe. Als u dat verzuimt, loopt u het risico een schok of een verwonding op te lopen, die zelfs de dood tot gevolg kunnen hebben.

VERWIJDER NOOIT DE AARDE-PIN EN VERANDER NIETS AAN DE STEKKER.

GEBRUIK GEEN VERLOOPSTEKKERS. Raadpleeg een bevoegde elektricien voor al uw vragen met betrekking tot de aarding van de stekker. Voorzichtig, de pomp is breekbaar. Sleep en draag de pomp niet aan het snoer. Trek nooit de stekker aan het snoer uit het stopcontact. Zorg ervoor dat het snoer niet beschadigt. De filterpomp mag niet in aanraking komen met scherpe voorwerpen, olie, bewegende delen en hitte.

WAARSCHUWING – Dit apparaat kan worden gebruikt door kinderen vanaf 8 jaar en

personen met beperkte fysieke, sensorische of mentale capaciteiten, of gebrek aan ervaring en kennis, indien zij onder supervisie staan of instructies hebben gekregen over het gebruik van het apparaat op een veilige manier en de gevaren ervan begrijpen. Kinderen mogen niet met het apparaat spelen. Reinigen en gebruiksonderhoud mag niet door kinderen worden verricht zonder supervisie. (Voor EU-markt)

WAARSCHUWING - Dit apparaat is niet bedoeld voor gebruik door personen (met inbegrip van kinderen) met verminderde fysieke, zintuiglijke of mentale vermogens, of gebrek aan ervaring en kennis, tenzij zij toezicht hebben of geïnstrueerd zijn over het gebruik van het apparaat door een persoon die verantwoordelijk is voor hun veiligheid. Er moet toezicht worden gehouden op kinderen, zodat ze niet met het apparaat kunnen spelen. (Voor markt anders dan EU)

Reiniging en gebruikersonderhoud moeten worden uitgevoerd door een volwassene die ouder is dan 18 jaar en bekend is met het risico op een elektrische schok. Wanneer het apparaat gedurende lange tijd niet gebruikt zal worden, zoals in de winter, moet de zwembadset gedemonteerd en binnenshuis opgeborgen worden.

LET OP - Lees de instructies vóór het gebruik van het toestel en vóór de installatie of het telkens opnieuw monteren.

Het apparaat moet op meer dan 2m van het zwembad geplaatst worden. (Alleen voor Frankrijk). Elektrische installaties moeten voldoen aan nationale regels voor bedrading. Raadpleeg een gekwalificeerde elektricien indien u vragen hebt.

Alleen de bijgeleverde media of deze aangegeven door de fabrikant mogen bij de installatie van het product gebruikt worden.

Het is essentieel te controleren of de zuigopeningen niet geblokkeerd zijn.

Het is raadzaam de filtratie te stoppen tijdens onderhoudswerkzaamheden aan het filtersysteem.

Controleer regelmatig het verstoppingsniveau van de filter.

Een wekelijkse controle wordt aanbevolen voor het reinigen.

Een minimum dagelijkse filterbedrijfstijd van 8 uur is aanbevolen om te zorgen voor helder zwembadwater.

Het is essentieel om elk beschadigd element of set van elementen zo snel mogelijk te vervangen. Gebruik alleen onderdelen goedgekeurd door de persoon verantwoordelijk voor de introductie van het product op de markt.

Alle filters en filtermedia zullen regelmatig geïnspecteerd worden om ervoor te zorgen dat er geen opeenhoping van vuil is wat een goede filtratie verhindert. Het verwijderen van gebruikte filtermedia moet gebeuren volgens de toepasselijke regelgevingen/wetgeving. In het geval van twijfel over de pomp of circulatie-apparaten, neem contact op met een bevoegde installateur, of de fabrikant/importeur/distributeur.

De watercirculatie-installatie moet voldoen aan de Europese maar ook aan nationale/lokale

regelgevingen, vooral voor wat betreft elektrische kwesties.

Elke wijziging van de kleppositie, pomp grootte, roostermaat kan een wijziging van de stroming veroorzaken en de zuig snelheid kan verhogen.

Volg alle veiligheidseisen en aanbevelingen beschreven in de handleiding.

OPMERKING:

Controleer de uitrusting voor gebruik. Meld beschadigingen of missende onderdelen bij aankoop aan de klantenservice van Bestways (de gegevens staan in deze handleiding). Controleer of de onderdelen van de installatie overeenkomen met het model dat u wilde aanschaffen.

OPMERKING:

Plaats de pomp op een stevige ondergrond of op een vlakke plaat. Let erop dat de filterpomp minstens een meter van de wand van het zwembad af staat. Zorg ervoor dat het zwembad en de pomp zo zijn opgesteld dat er voldoende ventilatie, afvoer en mogelijkheid tot schoonmaken zijn. Plaats de pomp nooit op een plek waar zich water kan verzamelen of in de loopzone rond het zwembad.

De stekker moet ook toegankelijk blijven als het zwembad is geïnstalleerd.

OPMERKING:

De weersomstandigheden kunnen de werking en de levensduur van uw filterpomp negatief beïnvloeden. Blootstelling van de pomp aan kou, hitte of zonlicht kan onnodige slijtage veroorzaken. Waar mogelijk dient u de pomp tegen deze omstandigheden te beschermen. Het is belangrijk dat u met de bijgeleverde blauwe stoppen de vuilopvangschermen in de aanvoer- en afvoeropeningen vervangt voordat u onderhoudswerkzaamheden aan de pomp uitvoert of de pomp verwijdert.

LET OP:

Doe geen chemicaliën in de filterpomp.

Steek de stekker nooit in het stopcontact of haal de stekker nooit uit het stopcontact met een natte hand.

Haal de stekker altijd uit het apparaat:

- Op regenachtige dagen
- Voorafgaand aan reiniging of ander onderhoud
- Laat het onbeheerd tijdens vakanties

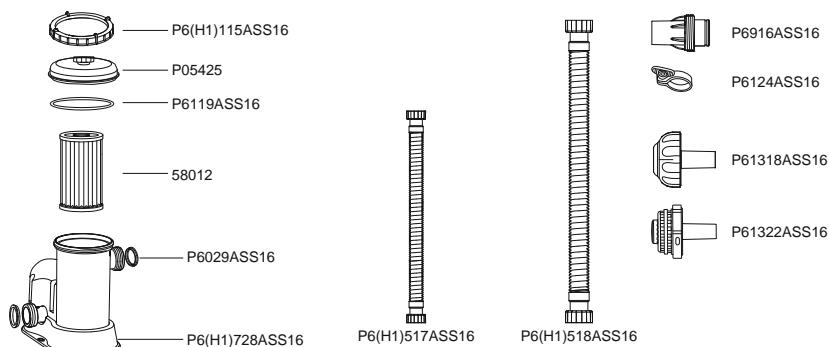
Goed bewaren van de instructies. Iedere keer wanneer u het zwembad opzet, dient u de instructies te raadplegen.

Als u de instructies kwijt bent, neem dan contact op met Bestway of zoek het op, op website: www.bestwaycorp.com.

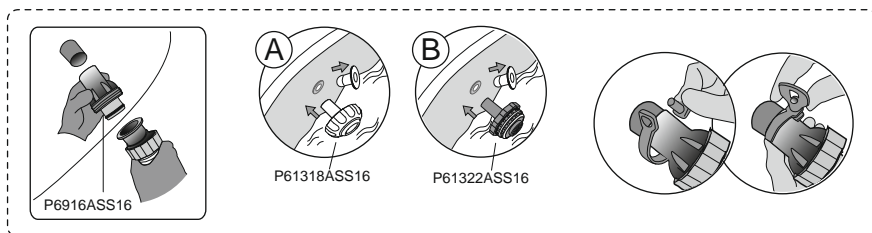
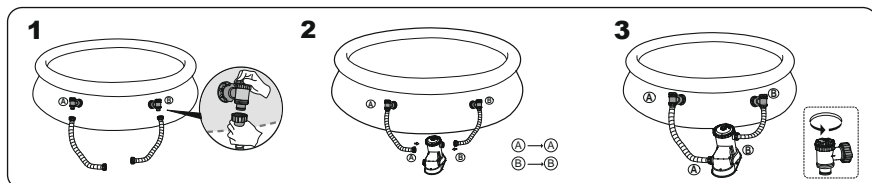
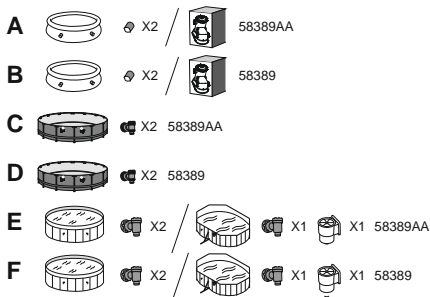
OPM.: Dit product is niet bestemd voor een commercieel gebruik.

Lees de handleiding zorgvuldig en bewaar ze voor toekomstige referentie.

BEWAAR DEZE GEBRUIKSAANWIJZING.

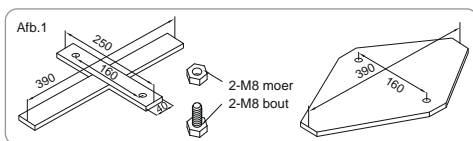


	A	B	C	D	E	F
P05425	1	1	1	1	1	1
P6(H1)115ASS16	1	1	1	1	1	1
P6119ASS16	1	1	1	1	1	1
58012	1	1	1	1	1	1
P6(H1)728ASS16	1	1	1	1	1	1
P6(H1)517ASS16	2	0	2	0	2	0
P6(H1)518ASS16	0	2	0	2	0	2
P6124ASS16	2	2	0	0	0	0
P6029ASS16	2	2	2	2	2	2
P6916ASS16	2	2	0	0	0	0
P61322ASS16	1	1	0	0	0	0
P61318ASS16	1	1	0	0	0	0



VOETSTUKBEVESTIGING Afb.1

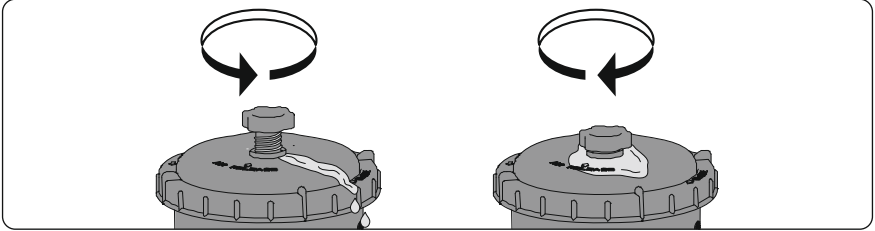
De filterpomp moet volgens de richtlijn EN60335-2-41 TEST in verticale positie op de grond of op een houten of betonnen basis worden bevestigd voor gebruik. Er moeten twee gaten met een diameter van 9 mm op de basis zitten met een afstand van 160 mm ertussen. Zet de filterpomp op de basis en draai de bouten en moeren aan om de pomp vast te maken. De basis moet minstens 18 kilo wegen zodat de pomp niet zomaar om kan vallen.



OPMERKING: Het is noodzakelijk te controleren of de hydraulische connectors niet afgesloten zijn.

WERKING

- 1) Open/schroef de luchtpurgeerklep los op de bovenkant van de filterpomp; er wordt lucht vrijgegeven naarmate water de filterpomp vult.
- 2) Wanneer water uit de luchtpurgeerklep stroomt, schroef deze dicht en wrijf alle water weg.
- 3) Om de filterpomp te starten, steek de stekker in een aardlekschakelaar (RCD).
- 4) Om de filterpomp te starten, steek de stekker in een circuit met alternatief restvermogen (DDR), uitsluitend voor Frankrijk.



BELANGRIJK: LAAT DE FILTERPOMP NIET DROOG WERKEN –
Zorg ervoor dat het aanvoer- en het afvoerventiel van het zwembad helemaal onder water staan voordat u de filterpomp aanzet.

HET ONDERHOUD VAN DE POMP

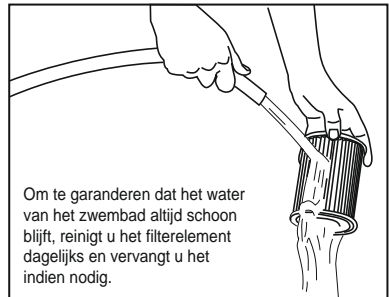
LET OP: CONTROLEER GOED OF DE FILTERPOMP NIET IS AANGESLOTEN VOORDAT U MET ONDERHOUDSWERKZAAMHEDEN BEGINT, ANDERS VERKEERT U IN LEVENSGEVAAR.

- 1) Koppel de filterpomp los van het stopcontact.
- 2) Stop het stromen van water naar de filterpomp, raadpleeg de handleiding van het zwembad.
- 3) Draai de filterdophouder los en verwijder de filterdop.
- 4) Reinig de filtercassette met een tuinslang.
- 5) Plaats de gereinigde (of nieuwe) filtercassette; controleer of deze gecentreerd is in de filterpomp.
- 6) Controleer of de filterdopafdichting geplaatst is.
- 7) Vervang de filterdop en schroef de filterdophouder op zijn plek.
- 8) Open de kleppen A en B.
- 9) Volg het hoofdstuk Aanwijzingen pompinstallatie om het systeem voor te bereiden voor gebruik.

BELANGRIJK: Voor sanitaire redenen, raden we aan om de filtercassettes om de twee weken te vervangen. Spoel de filter dagelijks.

OPSLAG VAN DE POMP

- 1) Koppel de filterpomp los van het stopcontact.
- 2) Stop het stromen van water in de filterpomp en verwijder de filtercassette.
- 3) Gooi de filtercassette weg.
- 4) Verwijder alle slangen.
- 5) Droog alle componenten grondig.
- 6) Sla de filterpomp op een droge locatie op, buiten bereik van kinderen. Opslagtemperatuur: 4-40 °C(39,2-104 F)
- 7) Voer het water af uit het zwembad volgens de gebruiksaanwijzing van het zwembad.



Om te garanderen dat het water van het zwembad altijd schoon blijft, reinigt u het filterelement dagelijks en vervangt u het indien nodig.

GARANTIE POMP

Bezoek onze website voor informatie over de garantie van de pomp: www.bestwaycorp.com

DE POMP WEGGOOIEN



Afgedankte elektrische apparaten mogen niet worden weggegooid bij het huisafval. Recycle als daar faciliteiten voor bestaan. Vraag advies over recyclen aan uw plaatselijke overheid of aan de winkelier.

POMPA FILTRO MANUALE D'USO

Visita il canale Bestway su YouTube



AVVERTENZA

IMPORTANTI ISTRUZIONI DI SICUREZZA

LEGGERE ATTENTAMENTE E RISPETTARE LE SEGUENTI ISTRUZIONI

AVVERTENZA - RISCHIO DI SCOSSA ELETTRICA: la pompa deve essere alimentata da un trasformatore di isolamento o tramite un interruttore differenziale con corrente residua nominale non superiore a 30 mA.

La spina della pompa deve trovarsi ad almeno 3,5 metri di distanza dalla piscina. L'apparecchio deve essere alimentato da un alimentatore provvisto di messa a terra. Non è possibile utilizzare prolunghere.

AVVERTENZA - RISCHIO DI SCOSSA ELETTRICA: La pompa non può essere utilizzata in presenza di persone all'interno della piscina.

NON SOTTERRARE IL CAVO ma disporlo in modo da limitare al minimo l'intralcio per la falciatrice da giardino, tosasiepi o attrezzi simili.

AVVERTENZA - Il cavo di alimentazione fornito non può essere sostituito.

Non utilizzare l'apparecchiatura se il cavo è danneggiato.

ATTENZIONE - Questa pompa è adatta esclusivamente all'uso con piscine smontabili, ossia costruite in modo tale da essere facilmente smontate e rimontate integralmente. Una piscina fissa invece è costruita sul o nel terreno o all'interno di un edificio e non può essere smontata per essere riposta in deposito.

IMPORTANTE - Utilizzare la pompa con un'alimentazione elettrica non adatta è pericoloso e può comportare guasti irreparabili alla pompa stessa.

PERICOLO DI SCOSSA ELETTRICA - Quando ci si appresta a lavorare con dispositivi elettrici, staccare la corrente in corrispondenza degli interruttori di circuito e tenerli bloccati. In caso contrario, si aumenta il pericolo di scossa elettrica con conseguente rischio di danni e di morte.

NON RIMUOVERE IL FILO DI TERRA E NON APPORTARE NESSUNA MODIFICA ALLA SPINA. NON UTILIZZARE ADATTATORI. Per qualunque domanda inerente la validità della messa a terra delle spine rivolgersi a un elettricista esperto.

Maneggiare la pompa con estrema attenzione. Non tirare o sollevare la pompa per il cavo elettrico. Non sfilare mai la spina dalla presa strattionando il cavo di alimentazione. Assicurarsi che il cavo non presenti abrasioni. Tenere lontano dalla

pompa filtro tutti gli oggetti appuntiti, oli, parti mobili e fonti di calore.

AVVERTENZA - Questa apparecchiatura non è destinata all'uso da parte di persone (bambini di età inferiore a 8 anni inclusi) con capacità fisiche, mentali e sensoriali ridotte o mancanza di esperienza e conoscenze adeguate, a meno che non siano supervisionate e istruite ad un uso sicuro dell'apparecchio e se sono stati compresi i rischi connessi. I bambini devono sempre essere controllati per evitare che giochino con il prodotto. La pulizia e la manutenzione non devono essere eseguite dai bambini senza la supervisione di un adulto. (Per il mercato UE)

AVVERTENZA: Questa apparecchiatura non è progettata per essere utilizzata da persone (bambini inclusi) con ridotte funzionalità fisiche, sensoriali o mentali o da persone inesperte, a meno che non vengano controllate o che una persona responsabile della loro sicurezza non abbia spiegato loro il funzionamento dell'apparecchiatura. I bambini devono essere controllati per evitare che giochino con l'apparecchiatura. (Per un mercato diverso da UE)

La pulizia e manutenzione devono essere eseguite da un adulto maggiorenne e totalmente consapevole del pericolo di scosse elettriche. Se il prodotto non viene utilizzato per lunghi periodi, ad esempio in inverno, la piscina deve essere smontata e conservata al chiuso.

ATTENZIONE - Leggere sempre le istruzioni prima di utilizzare l'apparecchiatura e prima di procedere con l'installazione e le operazioni di montaggio/smontaggio. L'apparecchiatura deve essere collocata ad almeno 2 metri di distanza dalla piscina. (solo per la Francia). Gli impianti elettrici devono rispettare le norme nazionali di cablaggio. Consultare un elettricista qualificato per qualsiasi domanda.

Solo il supporto fornito o specificato dal produttore deve essere utilizzato con l'installazione del prodotto.

È obbligatorio accertarsi che le aperture per l'aspirazione non siano ostruite.

È consigliabile interrompere il filtraggio durante le operazioni di manutenzione sul sistema di filtraggio.

Monitorare regolarmente il livello di ostruzione del filtro.

Si raccomanda un controllo settimanale per la pulizia.

Per garantire la pulizia dell'acqua della piscina si consiglia un tempo minimo giornaliero di funzionamento del sistema di filtraggio di 8 ore.

È fondamentale sostituire i componenti danneggiati il prima possibile. Utilizzare esclusivamente componenti approvati dal responsabile dell'immissione del prodotto sul mercato.

Tutti i filtri e dispositivi di filtraggio devono essere ispezionati regolarmente per evitare che un accumulo di detriti impedisca un buon filtraggio. Lo smaltimento dei dispositivi di filtraggio deve avvenire nel rispetto delle normative vigenti.

In caso di dubbio sulla pompa o su qualsiasi dispositivo di circolazione, contattare

un installatore qualificato, o il produttore/importatore/distributore.

L'impianto di circolazione dell'acqua deve essere conforme alle normative europee, nazionali e locali, soprattutto per quanto concerne i problemi elettrici.

Qualsiasi cambiamento nella posizione della valvola, nelle dimensioni della pompa o nelle dimensioni della griglia può causare una variazione del flusso e la velocità di aspirazione può essere aumentata.

Prestare attenzione ai requisiti di sicurezza e alle raccomandazioni descritte nel manuale.

NOTA:

Prima dell'uso, esaminare con cura tutta la dotazione. Comunicare tempestivamente a Bestway, rivolgendosi a uno degli indirizzi dell'assistenza per i clienti indicati in questo manuale, di eventuali parti danneggiate o mancanti riscontrate al momento dell'acquisto.

NOTA:

Disporre la pompa su un fondo solido o su una tavola piana. Fare attenzione a posizionare piscina e pompa in modo da garantire adeguata ventilazione e possibilità di drenaggio, nonché facilità di accesso per le operazioni di pulizia.

È necessario che ci sia una spina disponibile dopo l'installazione della pompa.

NOTA:

Le condizioni atmosferiche possono incidere sulle prestazioni e sulla durata della pompa filtro. Freddo, caldo ed esposizione al sole possono provocare lacerazioni e deterioramento. Proteggere il più possibile la pompa da questi agenti. Prima di rimuovere la pompa o effettuare operazioni di manutenzione, è importante sostituire le griglie con gli tappi blu per gli attacchi di mandata/scarico forniti.

NOTA:

Non aggiungete prodotti chimici nella pompa del filtro.

Non collegare o scollegare l'apparecchio con le mani bagnate.

Scollegare sempre l'apparecchio:

- Nei giorni di pioggia
- Prima di eseguire operazioni di pulizia o manutenzione
- Lasciare incustodito durante le vacanze

Custodire le istruzioni. Per riassemblare il set piscina, consultare le istruzioni.

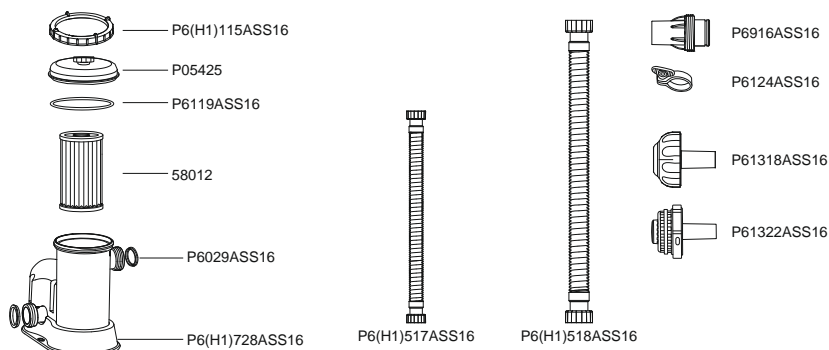
Se le istruzioni sono andate perse, contattare Bestway o consultare il sito

Internet: www.bestwaycorp.com

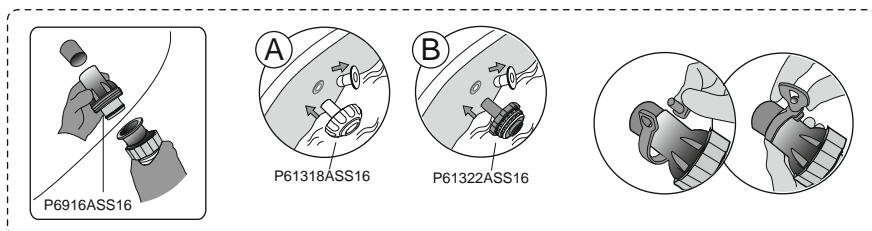
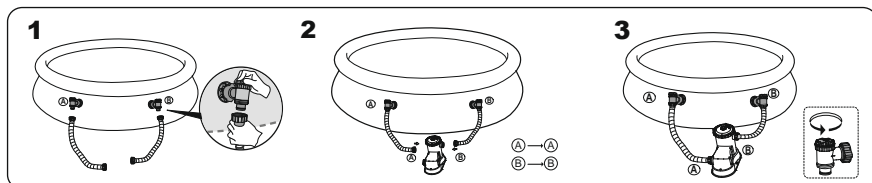
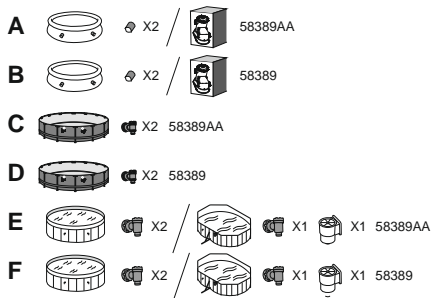
NOTA: Questo prodotto non è destinato all'uso commerciale.

Leggere attentamente il manuale di istruzioni e conservarlo per futuri riferimenti.

CONSERVARE QUESTE ISTRUZIONI

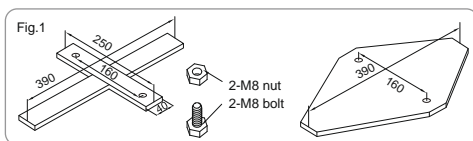


	A	B	C	D	E	F
P05425	1	1	1	1	1	1
P6(H1)115ASS16	1	1	1	1	1	1
P6119ASS16	1	1	1	1	1	1
58012	1	1	1	1	1	1
P6(H1)728ASS16	1	1	1	1	1	1
P6(H1)517ASS16	2	0	2	0	2	0
P6(H1)518ASS16	0	2	0	2	0	2
P6124ASS16	2	2	0	0	0	0
P6029ASS16	2	2	2	2	2	2
P6916ASS16	2	2	0	0	0	0
P61322ASS16	1	1	0	0	0	0
P61318ASS16	1	1	0	0	0	0



FISSAGGIO DEL PIEDISTALLO Fig. 1

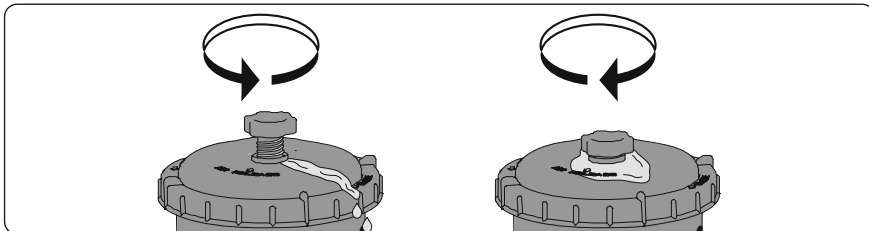
In base allo standard EN60335-2-41 TEST, la pompa a filtro deve essere fissata verticalmente a terra o ad un basamento in legno o cemento prima dell'utilizzo. Sul basamento devono essere presenti due fori con diametro di 9 mm, distanziati l'uno dall'altro di 160 mm. Posizionare la pompa a filtro sul basamento e fissarla con bulloni e dadi. L'intero basamento deve pesare almeno 18 kg in modo da impedire la caduta accidentale della pompa.



NOTA: È obbligatorio accertarsi che i connettori idraulici non siano otturati.

USO

- 1) Aprire/svitare la valvola di sfiato dell'aria collocata sulla pompa filtrante per evacuare l'aria mentre la pompa filtrante si riempie d'acqua.
- 2) Quando esce acqua dalla valvola di sfiato dell'aria, avvitarla per chiuderla e asciugare l'acqua.
- 3) Per avviare la pompa filtrante, collegare la spina a un interruttore differenziale.
- 4) Per avviare la pompa filtrante, inserire la spina in un circuito a corrente alternata (solo per la Francia).



IMPORTANTE: NON UTILIZZARE LA POMPA A FILTRO SENZ'ACQUA – Assicurarsi che le valvole di entrata e uscita della piscina siano completamente coperte dall'acqua prima di azionare la pompa a filtro.

MANUTENZIONE DELLA POMPA

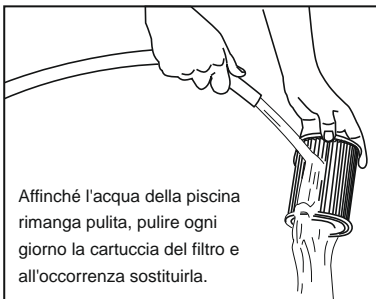
ATTENZIONE: PER EVITARE IL VERIFICARSI DI SITUAZIONI PERICOLOSE, INFORTUNI O DECESSO, PRIMA DI EFFETTUARE QUALSIASI INTERVENTO DI MANUTENZIONE, ACCERTARSI CHE LA SPINA DELLA POMPA FILTRO SIA DISINSERITA.

- 1) Scollegare la pompa filtrante.
- 2) Arrestare il flusso d'acqua nella pompa filtrante (fare riferimento al manuale della piscina).
- 3) Svitare il fermo del tappo del filtro e rimuovere il tappo del filtro.
- 4) Pulire la cartuccia del filtro con una manichetta da giardino.
- 5) Inserire una cartuccia del filtro pulita (o nuova), accertandosi che sia centrata nella pompa filtrante.
- 6) Accertarsi che la guarnizione del tappo del filtro sia in posizione.
- 7) Rimontare il tappo del filtro e avvitare il fermo del tappo in posizione.
- 8) Aprire le valvole A e B.
- 9) Per preparare il sistema all'uso, attenersi alle Istruzioni per l'installazione della pompa.

IMPORTANTE: Per motivi di igiene si consiglia di sostituire la cartuccia del filtro ogni due settimane. Lavare il filtro ogni giorno.

STOCCAGGIO DELLA POMPA

- 1) Scollegare la pompa filtrante.
- 2) Arrestare il flusso d'acqua nella pompa filtrante e rimuovere la cartuccia del filtro.
- 3) Gettare via la cartuccia del filtro.
- 4) Staccare tutti i tubi.
- 5) Asciugare perfettamente tutti i componenti.
- 6) Conservare la pompa filtrante in un luogo asciutto e fuori dalla portata dei bambini.
Temperatura di stoccaggio: 4-40 °C(39,2-104 F)
- 7) Svuotare la piscina seguendo le istruzioni riportate nel manuale della piscina.



Affinché l'acqua della piscina rimanga pulita, pulire ogni giorno la cartuccia del filtro e all'occorrenza sostituirla.

CERTIFICATO DI GARANZIA DELLA POMPA

Per ulteriori informazioni relative alla garanzia della pompa per il gonfiaggio, visitare il sito Internet: www.bestwaycorp.com

SMALTIMENTO DELLA POMPA



I rifiuti di prodotti elettrici non devono essere smaltiti con i rifiuti domestici. Si prega di riciclare presso le apposite strutture. Rivolgersi alle autorità locali o al rivenditore per i consigli sul riciclaggio.

POMPE DE FILTRATION MANUEL DE L'UTILISATEUR

Visitez la chaîne YouTube de Bestway



ATTENTION

INSTRUCTIONS DE SÉCURITÉ IMPORTANTES

LIRE ET RESPECTER TOUTES CES INSTRUCTIONS

ATTENTION : RISQUE D'ÉLECTROCUTION – La pompe doit être alimentée par un transformateur de séparation des circuits ou par un circuit comportant un dispositif à courant différentiel résiduel (DDR) de courant différentiel de fonctionnement assigné ne dépassant pas 30 mA.

La fiche de la pompe sera située à plus de 3,50 m de la piscine.

L'appareil doit être alimenté par une source électrique mise à la terre.

Il est impossible d'utiliser des rallonges.

ATTENTION : N'utilisez pas la pompe lorsque des personnes se trouvent dans la piscine.

N'ENFOUISSEZ PAS LE CORDON : Placez le cordon à l'abri des tondeuses à gazon, des débroussailluses et des autres outils de jardinage.

ATTENTION : Le câble d'alimentation ne peut pas être remplacé. Si le câble est endommagé, l'appareil doit être mis au rebut.

PRUDENCE : Cette pompe ne doit servir qu'avec une piscine démontable. Ne l'utilisez pas sur une piscine fixe. Une piscine est construite de façon à être rapidement démontée pour être rangée et remontée. Une piscine fixe est construite sur ou dans le sol ou dans un immeuble et ne peut donc pas être démontée rapidement pour être rangée.

IMPORTANT : Si vous n'utilisez pas la pompe avec une alimentation électrique vous risquez de détruire la pompe ou de provoquer un accident.

RISQUE D'ÉLECTROCUTION : Lorsque vous opérez sur le circuit électrique, disjonctez-le et verrouillez la porte du disjoncteur. En cas contraire vous vous exposez à un risque d'électrocution, de blessure grave ou même létale.

NE DÉMONTÉZ PAS LA BROCHE DE MISE À LA TERRE, NE MODIFIEZ PAS LA PRISE, N'UTILISEZ PAS D'ADAPTATEUR : Adressez-vous à un électricien qualifié pour tous les problèmes liés à la mise à la terre de vos prises.

Manipulez la pompe avec prudence. Évitez de traîner ou de transporter la pompe par son cordon électrique. Ne débranchez jamais la prise en tirant sur le cordon électrique. Le cordon électrique doit être intact. N'exposez jamais le filtre de la pompe à des objets tranchants, de l'huile, des parties en mouvement ou à la chaleur.

ATTENTION : Cet appareil peut être utilisé par des enfants à partir de 8 ans et plus et par des personnes avec des capacités physiques, sensorielles ou mentales réduites ou un manque d'expérience et de connaissances s'ils sont surveillés ou ont reçu des instructions concernant l'utilisation de l'appareil d'une manière sûre et s'ils comprennent les risques impliqués. Les enfants ne doivent pas jouer avec l'appareil. Le nettoyage et la maintenance ne doivent pas être effectués par un enfant sans surveillance.

(Pour le marché européen)

ATTENTION : Cet appareil n'est pas conçu pour être utilisé par des personnes à capacités physiques, sensorielles ou intellectuelles réduites ou sans expérience et connaissances, s'ils sont sous surveillance ou bien s'ils ont été informés quant à l'utilisation de l'appareil par une personne responsable de leur sécurité. Surveiller les enfants pour s'assurer qu'ils ne jouent pas avec l'appareil (pour le marché hors Union Européenne).

Le nettoyage et l'entretien doivent être effectués par un adulte ayant plus de 18 ans ayant conscience du risque d'électrocution. Quand l'appareil ne sera pas utilisé pendant longtemps, comme par exemple pendant l'hiver, la piscine doit être démontée et rangée à l'intérieur.

MISE EN GARDE : Lisez les instructions avant d'utiliser l'appareil et de l'installer / de le remonter à chaque fois.

L'appareil doit être placé à plus de 2 m de la piscine. (Uniquement pour la France). Les installations électriques doivent suivre les règles nationales de câblage. Consultez un électricien qualifié si vous avez des questions.

Seuls les agents fournis ou spécifiés par le fabricant doivent être utilisés avec l'installation du produit.

Il est essentiel de contrôler que les ouvertures d'aspiration ne sont pas obstruées.

Il est conseillé d'interrompre la filtration durant les opérations d'entretien sur le système de filtration.

Supervisez régulièrement le niveau d'obstruction du filtre.

Il est recommandé de contrôler une fois par semaine s'il faut le nettoyer.

Le temps de fonctionnement minimal de la filtration quotidienne de 8 heures est recommandé pour garantir une eau de piscine limpide.

Il est essentiel de remplacer tout élément ou groupe d'éléments endommagé dès que possible. N'utilisez que des pièces agréées par la personne responsable de la mise sur le marché du produit.

Tous les filtres et les agents de filtration doivent être inspectés régulièrement pour garantir que les débris ne s'accumulent pas car cela empêcherait une bonne filtration. L'élimination de tout agent de filtration utilisé doit être effectuée conformément aux règlements/lois applicables.

En cas de doute sur la pompe ou tout dispositif de circulation, veuillez contacter un

installateur qualifié ou bien le fabricant/l'importateur/le distributeur.

L'installation de la circulation de l'eau doit être conforme aux directives européennes ainsi qu'aux règlements nationaux/locaux, en particulier en ce qui concerne les problèmes électriques.

Tout changement de position d'une vanne, taille de pompe, taille de grille peut provoquer un changement de débit et la vitesse d'aspiration peut donc augmenter.

Respectez toutes les recommandations et consignes de sécurité figurant dans la notice.

REMARQUE :

Examinez l'appareil avant de l'utiliser. Signalez à l'un des services après-vente Bestway indiqués ci-après les parties manquantes ou endommagées au moment de l'achat.

Vérifiez si les composants de l'appareil sont ceux du modèle que vous entendiez acheter.

REMARQUE :

Placez la pompe sur un socle robuste et bine à niveau. si l'eau peut être évacuée correctement et s'il est possible d'y accéder pour effectuer le nettoyage. Ne placez jamais la pompe dans un endroit où l'eau risque de stagner ou dans un endroit inondable par le passage des personnes.

La prise après de l'installation de la piscine doit être facilement accessible.

REMARQUE :

Les agents atmosphériques risquent de compromettre les performances et la durée de votre pompe de filtrage. Si elle est exposée au froid, au soleil ou à la chaleur elle risque de s'user inutilement. Abritez-la si possible. Avant d'effectuer l'entretien ou le démontage de la pompe n'oubliez pas de remplacer les filtres à débris par les protections bleues des bouches d'aspiration et de refoulement, placées en usine.

REMARQUE :

N'ajoutez pas de produits chimiques dans la pompe de filtrage.

Ne pas brancher ou débrancher l'appareil avec les mains humides.

Toujours débrancher l'appareil.

- Les jours de pluie
- Avant le nettoyage ou une autre opération de maintenance
- Vous partez en vacances

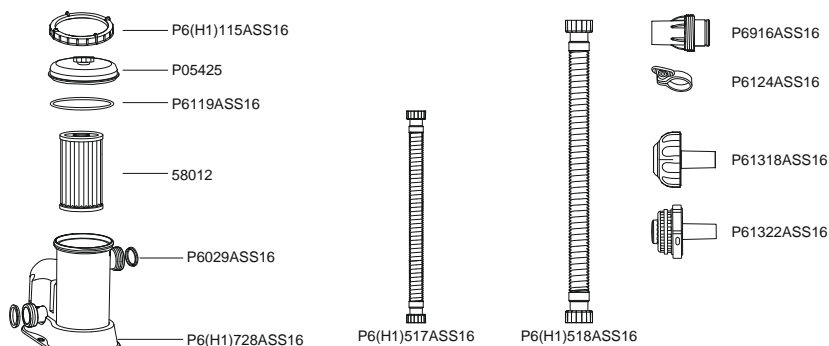
Conservez les instructions. Pour la reconstruction de la piscine, à tout moment, consultez également les instructions.

Si les instructions sont manquantes, contactez Bestway ou recherchez sur le site web : www.bestwaycorp.com

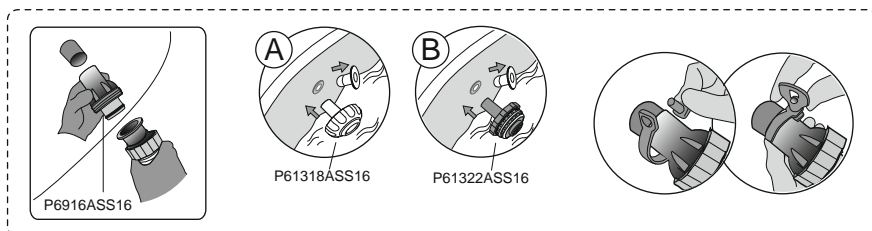
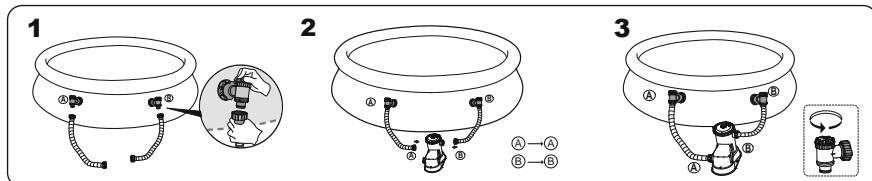
REMARQUE : Ce produit n'est pas destiné pour utilisation commerciale.

Veillez lire attentivement la notice d'instructions et conservez-la pour pouvoir la consulter en cas de besoin.

CONSERVEZ CE MODE D'EMPLOI

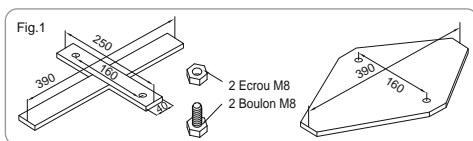


	A	B	C	D	E	F
P05425	1	1	1	1	1	1
P6(H1)115ASS16	1	1	1	1	1	1
P6119ASS16	1	1	1	1	1	1
58012	1	1	1	1	1	1
P6(H1)728ASS16	1	1	1	1	1	1
P6(H1)517ASS16	2	0	2	0	2	0
P6(H1)518ASS16	0	2	0	2	0	2
P6124ASS16	2	2	0	0	0	0
P6029ASS16	2	2	2	2	2	2
P6916ASS16	2	2	0	0	0	0
P61322ASS16	1	1	0	0	0	0
P61318ASS16	1	1	0	0	0	0



FIXATION SUR UN SOCLE Fig. 1

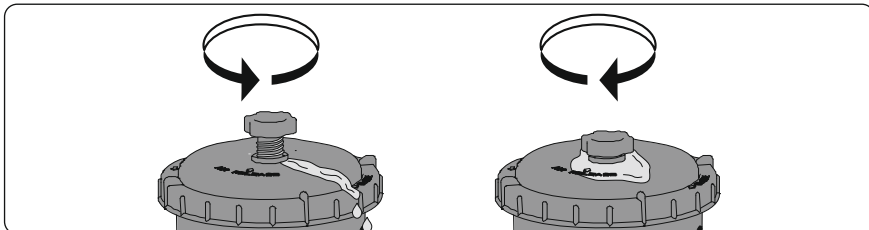
Le standard TEST EN60335-2-41 demande que la pompe de filtration doit être fixée en position verticale sur le sol ou sur un support en bois ou en béton avant son utilisation. Il doit y avoir deux trous de 9 mm de diamètre sur le support, l'espace entre eux doit être de 160 mm. Posez la pompe de filtration sur le support et fixez-les ensemble en serrant les boulons et les écrous. Toutes les parties du support doivent dépasser au moins 18 kg pour éviter des chutes accidentelles de la pompe.



REMARQUE : Il est impératif de contrôler que les raccords hydrauliques ne sont pas obstrués.

FONCTIONNEMENT

- 1) Ouvrez/dévissez la vanne de vidange d'air sur le dessus de la pompe de filtration ; l'air est libéré au fur et à mesure que l'eau remplit la pompe de filtration.
- 2) Quand de l'eau sort de la vanne de vidange d'air, vissez-la pour la fermer et essuyez toute trace d'eau.
- 3) Pour démarrer la pompe de filtration, branchez-la sur un dispositif à courant résiduel (DCR).
- 4) Pour démarrer la pompe de filtration, branchez-la sur un circuit à courant résiduel alternatif (DDR)-Uniquement pour la France.



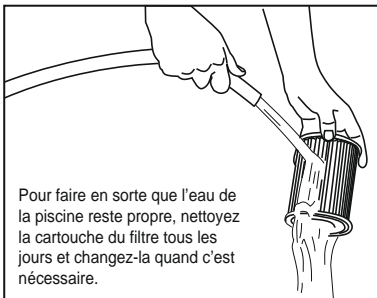
IMPORTANT : NE FAITES PAS FONCTIONNER A SEC LA POMPE DE FILTRATION – Vérifiez que les soupapes d'entrée et de sortie de la piscine soient bien recouvertes d'eau avant de faire fonctionner la pompe de filtration.

ENTRETIEN DE LA POMPE

PRUDENCE : VÉRIFIEZ SI LA POMPE DE FILTRAGE EST DÉBRANCHÉE AVANT DE PROCÉDER AUX OPÉRATIONS D'ENTRETIEN POUR ÉVITER LES RISQUES DE BLESSURES GRAVES OU MÊME MORTELLES.

- 1) Débranchez la pompe de filtration.
- 2) Arrêtez le débit d'eau vers la pompe de filtration, reportez-vous à la notice de la piscine.
- 3) Dévissez la bague d'arrêt du bouchon du filtre et enlevez le bouchon du filtre.
- 4) Nettoyez la cartouche du filtre avec un tuyau d'arrosage.
- 5) Insérez la cartouche propre (ou neuve) du filtre et vérifiez qu'elle est centrée dans la pompe de filtration.
- 6) Contrôlez que le joint du bouchon du filtre est à sa place.
- 7) Remettez le bouchon du filtre en place et vissez la bague d'arrêt du bouchon du filtre à son emplacement.
- 8) Ouvrez la vanne A et B.
- 9) Suivez le paragraphe Explications pour l'installation de la pompe pour préparer le système à l'utilisation.

IMPORTANT : Pour des raisons sanitaires, nous suggérons de remplacer la cartouche du filtre par une neuve tous les quinze jours. Rincez le filtre tous les jours.



RANGEMENT DE LA POMPE

- 1) Débranchez la pompe de filtration.
- 2) Arrêtez le débit d'eau vers la pompe de filtration et enlevez la cartouche du filtre.
- 3) Jetez la cartouche du filtre.
- 4) Détachez tous les tuyaux.
- 5) Séchez méticuleusement tous les composants.
- 6) Rangez la pompe de filtration dans un endroit sec, hors de portée des enfants. Température de rangement : 4-40°C(39,2-104 F)
- 7) Vidangez la piscine conformément à la notice d'utilisation de la piscine.

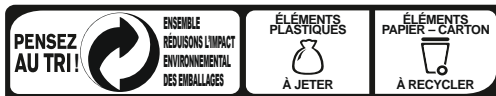
GARANTIE DE LA POMPE

Pour de plus amples informations concernant la garantie de la pompe, se rendre sur notre site Internet : www.bestwaycorp.com

ÉVACUATION DE LA POMPE




Les déchets de produits électriques ne doivent pas être jetés avec les déchets ménagers. Veuillez les recycler dans les structures existantes. Contactez les autorités locales ou votre revendeur pour des conseils en matière de recyclage.



CONSIGNE POUVANT VARIER LOCALEMENT > WWW.CONSIGNESDETREUIL

ΑΝΤΛΙΑ ΜΕ ΦΙΛΤΡΟ ΕΓΧΕΙΡΙΔΙΟ ΙΔΙΟΚΤΗΤΗ

ΕΠΙΣΚΕΦΤΕΙΤΕ ΤΟ ΚΑΝΑΛΙ ΤΗΣ

Bestway ΣΤΟ YouTube 



ΠΡΟΕΙΔΟΠΟΙΗΣΗ

ΣΗΜΑΝΤΙΚΕΣ ΟΔΗΓΙΕΣ ΑΣ ΦΑΛΕΙΑΣ

ΔΙΑΒΑΣΤΕ ΚΑΙ ΤΗΡΗΣΤΕ ΤΙΣ ΟΔΗΓΙΕΣ

ΠΡΟΕΙΔΟΠΟΙΗΣΗ - Η ΑΝΤΛΙΑ ΠΡΕΠΕΙ ΝΑ ΤΡΟΦΟΔΟΤΕΙΤΑΙ ΑΠΟ ΕΝΑ ΜΕΤΑΣΧΗΜΑΤΙΣΤΗ ΑΠΟΜΟΝΩΣΗΣ Η ΝΑ ΤΡΟΦΟΔΟΤΕΙΤΑΙ ΜΕΣΩ ΕΝΟΣ ΑΥΤΟΜΑΤΟΥ ΔΙΑΚΟΠΤΗ ΔΙΑΡΡΟΗΣ (ΡΧΔ) ΜΕ ΟΝΟΜΑΣΤΙΚΟ ΡΕΥΜΑ ΔΙΑΡΡΟΗΣ ΠΟΥ ΔΕΝ ΥΠΕΡΒΑΙΝΕΙ ΤΑ 30 mA.

Ο ΡΕΥΜΑΤΟΛΗΠΤΗΣ ΤΗΣ ΑΝΤΛΙΑΣ ΠΡΕΠΕΙ ΝΑ ΑΠΕΧΕΙ ΤΟΥΛΑΧΙΣΤΟΝ ΑΠΟ 3,50 Μ ΑΠΟ ΤΗΝ ΠΙΣΙΝΑ. Η ΣΥΣΚΕΥΗ ΠΡΕΠΕΙ ΝΑ ΤΡΟΦΟΔΟΤΕΙΤΑΙ ΑΠΟ ΜΙΑ ΓΕΙΩΜΕΝΗ ΠΗΓΗ ΤΡΟΦΟΔΟΣΙΑΣ ΔΕΝ ΕΠΙΤΡΕΠΕΤΑΙ Η ΧΡΗΣΗ ΚΑΛΩΔΙΩΝ ΕΠΕΚΤΑΣΗΣ.

ΠΡΟΕΙΔΟΠΟΙΗΣΗ - ΚΙΝΔΥΝΟΣ ΗΛΕΚΤΡΟΠΛΗΞΙΑΣ - ΜΗ ΧΡΗΣΙΜΟΠΟΙΕΙΤΕ ΤΗΝ ΑΝΤΛΙΑ ΕΝΟΣΩ ΒΡΙΣΚΟΝΤΑΙ ΜΕΣΑ ΣΕ ΑΥΤΗΝ ΑΤΟΜΑ.

ΜΗ ΘΑΨΕΤΕ ΤΟ ΚΑΛΩΔΙΟ. ΤΟΠΟΘΕΤΗΣΤΕ ΤΟ ΚΑΛΩΔΙΟ ΜΕ ΤΡΟΠΟ ΠΟΥ ΝΑ ΕΛΑΧΙΣΤΟΠΟΙΕΙΤΑΙ Η ΠΡΟΚΛΗΣΗ ΒΛΑΒΗΣ ΑΠΟ ΜΗΧΑΝΕΣ ΚΟΥΡΕΜΑΤΟΣ ΓΚΑΖΟΝ, ΨΑΛΙΔΕΣ ΚΑΙ ΆΛΛΑ ΕΡΓΑΛΕΙΑ.

ΠΡΟΕΙΔΟΠΟΙΗΣΗ - ΤΟ ΚΑΛΩΔΙΟ ΤΡΟΦΟΔΟΣΙΑΣ ΔΕΝ ΜΠΟΡΕΙ ΝΑ ΑΝΤΙΚΑΤΑΣΤΑΘΕΙ. ΑΝ ΤΟ ΚΑΛΩΔΙΟ ΕΧΕΙ ΥΠΟΣΤΕΙ ΖΗΜΙΑ Η ΣΥΣΚΕΥΗ ΘΑ ΠΡΕΠΕΙ ΝΑ ΚΑΤΑΣΤΡΑΦΕΙ.

ΠΡΟΣΟΧΗ - ΑΥΤΗ Η ΑΝΤΛΙΑ ΠΡΟΟΡΙΖΕΤΑΙ ΓΙΑ ΧΡΗΣΗ ΜΟΝΟ ΜΕ ΑΠΟΘΗΚΕΥΣΙΜΕΣ ΠΙΣΙΝΕΣ. ΝΑ ΜΗ ΧΡΗΣΙΜΟΠΟΙΗΘΕΙ ΜΕ ΜΟΝΙΜΑ ΕΓΚΑΤΕΣΤΗΜΕΝΣ ΠΙΣΙΝΕΣ. ΜΙΑ ΑΠΟΘΗΚΕΥΣΙΜΗ ΠΙΣΙΝΑ ΕΙΝΑΙ ΚΑΤΑΣΚΕΥΑΣΜΕΝΗ ΕΤΣΙ ΩΣΤΕ ΝΑ ΜΠΟΡΕΙ ΝΑ ΑΠΟΣΥΝΑΡΜΟΛΟΓΗΘΕΙ ΜΕ ΕΥΚΟΛΙΑ ΓΙΑ ΑΠΟΘΗΚΕΥΣΗ ΚΑΙ ΝΑ ΣΥΝΑΡΜΟΛΟΓΗΘΕΙ ΞΑΝΑ ΣΤΗΝ ΑΡΧΙΚΗ ΤΗΣ ΚΑΤΑΣΤΑΣΗ. ΜΙΑ ΜΟΝΙΜΑ ΕΓΚΑΤΕΣΤΗΜΕΝΗ ΠΙΣΙΝΑ ΕΙΝΑΙ ΚΑΤΑΣΚΕΥΑΣΜΕΝΗ ΜΕΣΑ ΣΤΟ ΕΔΑΦΟΣ, ΕΠΑΝΩ ΣΤΟ ΕΔΑΦΟΣ Ή ΣΤΟ ΕΣΩΤΕΡΙΚΟ ΚΤΙΡΙΟΥ ΜΕ ΤΡΟΠΟ ΩΣΤΕ ΝΑ ΜΗΝ ΜΠΟΡΕΙ ΝΑ ΑΠΟΣΥΝΑΡΜΟΛΟΓΗΘΕΙ ΜΕ ΕΥΚΟΛΙΑ ΓΙΑ ΑΠΟΘΗΚΕΥΣΗ.

ΣΗΜΑΝΤΙΚΟ - ΕΙΝΑΙ ΕΠΙΚΙΝΔΥΝΟ ΝΑ ΧΡΗΣΙΜΟΠΟΙΗΣΕΤΕ ΤΗΝ ΑΝΤΛΙΑ ΜΕ ΑΚΑΤΑΛΛΗΛΗ ΗΛΕΚΤΡΙΚΗ ΤΡΟΦΟΔΟΣΙΑ. ΘΑ ΠΡΟΚΛΗΘΕΙ ΚΑΤΑΣΤΡΟΦΗ ΤΗΣ ΑΝΤΛΙΑΣ.

ΚΙΝΔΥΝΟΣ ΗΛΕΚΤΡΟΠΛΗΞΙΑΣ - ΟΤΑΝ ΕΚΤΕΛΕΙΤΕ ΗΛΕΚΤΡΟΛΟΓΙΚΕΣ ΕΡΓΑΣΙΕΣ, ΑΠΟΜΝΕΣΤΕ ΤΟ ΗΛΕΚΤΡΙΚΟ ΠΝΕΥΜΑ ΣΤΟ ΣΗΜΕΙΟ ΤΟΥ ΔΙΑΚΟΠΤΗ ΚΥΚΛΩΜΑΤΟΣ ΚΑΙ ΤΗΣ ΘΥΡΑΣ ΘΥΡΑΣ ΔΙΑΚΟΠΤΗ ΚΛΕΙΔΩΜΑΤΟΣ. ΑΝ ΔΕΝ ΤΟ ΚΑΝΕΤΕ ΑΥΤΟ, ΘΑ ΕΧΕΙ ΩΣ ΑΠΟΤΕΛΕΣΜΑ ΑΥΞΗΜΕΝΟ ΚΙΝΔΥΝΟ ΠΡΟΚΛΗΣΗ ΗΛΕΚΤΡΟΠΛΗΞΕΑΣ, ΤΡΑΥΜΑΤΙΣΜΟΥ ΚΑΙ ΠΙΘΑΝΩΣ ΘΑΝΑΤΟΥ.

ΜΗΝ ΑΦΑΙΡΕΣΕΤΕ ΤΟΝ ΑΚΡΟΔΕΝΚΤΗ ΓΕΙΩΣΗΣ, ΟΥΤΕ ΝΑ ΤΡΟΠΟΡΟΙΗΣΕΤΕ ΜΕ ΟΠΟΙΟΝΔΗΠΟΤΕ ΤΡΟΠΟ ΤΟ ΒΥΣΜΑ. ΜΗ ΧΡΗΣΙΜΟΠΟΙΕΙΤΕ ΗΛΕΚΤΡΙΚΟΥΣ ΠΡΟΣΑΡΜΟΓΕΙΣ. ΓΙΑ ΟΠΟΙΕΣΔΗΠΤΕ ΕΡΩΤΗΣΕΙΣ ΣΧΕΤΙΖΟΝΤΑΙ ΜΕ ΤΗΝ ΑΞΙΟΠΙΣΤΙΑ ΤΗΣ ΓΕΙΩΣΗΣ ΣΑΣ, ΣΥΜΒΟΥΛΕΥΤΕΙΤΕ ΕΝΑΝ ΑΡΜΟΔΙΟ ΗΛΕΚΤΡΟΛΟΓΟ.

ΧΕΙΡΙΣΤΕΙΤΕ ΤΗΝ ΑΝΤΛΙΑ ΜΕ ΠΡΟΣΟΧΗ. ΜΗΝ ΤΡΑΒΑΤΕ ΚΑΙ ΜΗ ΜΕΤΑΦΕΡΕΤΕ ΤΗΝ ΑΝΤΛΙΑ ΑΠΟ ΤΟ ΗΛΕΚΤΡΙΚΟ ΚΑΛΩΔΙΟ. ΜΗΝ ΤΡΑΒΑΤΕ ΠΟΤΕ ΤΟ ΗΛΕΚΤΡΙΚΟ ΚΑΛΩΔΙΟ ΚΑΛΩΔΙΟ ΑΠΟ ΤΗ ΦΘΟΡΑ

ΜΗΝ ΕΚΘΕΤΕΤΕ ΠΟΤΕ ΤΗΝ ΑΝΤΛΙΑΦΙΛΤΡΟ ΣΕ ΑΙΧΜΗΡΑ ΑΝΤΙΚΕΜΕΝΑ, ΛΑΔΙ, ΚΙΝΟΥΜΕΝΑ ΜΕΡΗ ΚΑΙ ΘΕΡΜΟΤΗΤΑ.

ΠΡΟΕΙΔΟΠΟΙΗΣΗ - Η ΣΥΣΚΕΥΗ ΑΥΤΗ ΜΠΟΡΕΙ ΝΑ ΧΡΗΣΙΜΟΠΟΙΗΘΕΙ ΑΠΟ ΠΑΙΔΙΑ ΗΛΙΚΙΑΣ 8 ΕΤΩΝ ΚΑΙ ΑΝΩ ΚΑΙ ΑΠΟ ΑΤΟΜΑ ΜΕ ΜΕΙΩΜΕΝΕΣ ΣΩΜΑΤΙΚΕΣ, ΑΙΣΘΗΤΙΚΕΣ Η ΝΟΗΤΙΚΕΣ ΙΚΑΝΟΤΗΤΕΣ Η ΕΛΛΕΙΨΗ ΕΜΠΕΙΡΙΑΣ ΚΑΙ ΓΝΩΣΗΣ ΕΑΝ ΤΟΥΣ ΕΧΕΙ ΠΑΡΑΣΧΕΘΕΙ ΕΠΙΤΗΡΗΣΗ Η ΚΑΘΟΔΗΓΗΣΗ ΣΧΕΤΙΚΑ ΜΕ ΤΗ ΧΡΗΣΗ ΤΗΣ ΣΥΣΚΕΥΗΣ ΜΕ ΑΣΦΑΛΗ ΤΡΟΠΟ ΩΣΤΕ ΝΑ ΚΑΤΑΝΟΟΥΝ ΤΟΥΣ ΚΙΝΔΥΝΟΥΣ ΠΟΥ ΥΠΑΡΧΟΥΝ. ΤΑ ΠΑΙΔΙΑ ΔΕΝ ΠΡΕΠΕΙ ΝΑ ΠΑΙΖΟΥΝ ΜΕ ΤΗ ΣΥΣΚΕΥΗ. Ο ΚΑΘΑΡΙΣΜΟΣ ΚΑΙ Η ΣΥΝΤΗΡΗΣΗ ΔΕΝ ΠΡΕΠΕΙ ΝΑ ΠΡΑΓΜΑΤΟΠΟΙΕΙΤΑΙ ΑΠΟ ΠΑΙΔΙΑ ΧΩΡΙΣ ΕΠΙΤΗΡΗΣΗ. (ΓΙΑ ΤΗΝ ΑΓΟΡΑ ΤΗΣ ΕΕ)

ΠΡΟΕΙΔΟΠΟΙΗΣΗ - Η ΣΥΣΚΕΥΗ ΑΥΤΗ ΔΕΝ ΠΡΟΟΡΙΖΕΤΑΙ ΓΙΑ ΧΡΗΣΗ ΑΠΟ ΑΤΟΜΑ (ΣΥΜΠΕΡΙΛΑΜΒΑΝΟΜΕΝΩΝ ΚΑΙ ΠΑΙΔΙΩΝ) ΜΕ ΜΕΙΩΜΕΝΕΣ ΣΩΜΑΤΙΚΕΣ, ΑΙΣΘΗΤΙΚΕΣ Η ΝΟΗΤΙΚΕΣ ΙΚΑΝΟΤΗΤΕΣ Η ΕΛΛΕΙΨΗ ΕΜΠΕΙΡΙΑΣ ΚΑΙ ΓΝΩΣΗΣ ΕΑΝ ΤΟΥΣ ΕΧΕΙ ΠΑΡΑΣΧΕΘΕΙ ΕΠΙΤΗΡΗΣΗ Η ΚΑΘΟΔΗΓΗΣΗ ΣΧΕΤΙΚΑ ΜΕ ΤΗ ΧΡΗΣΗ ΤΗΣ ΣΥΣΚΕΥΗΣ ΑΠΟ ΑΤΟΜΟ ΥΠΕΥΘΥΝΟ ΓΙΑ ΤΗΝ ΑΣΦΑΛΕΙΑ ΤΟΥΣ. ΤΑ ΠΑΙΔΙΑ ΘΑ ΠΡΕΠΕΙ ΝΑ ΕΠΙΤΗΡΟΥΝΤΑΙ ΩΣΤΕ ΝΑ ΕΞΑΣΦΑΛΙΣΤΕΙ ΟΤΙ ΔΕΝ ΠΑΙΖΟΥΝ ΜΕ ΑΥΤΗ ΤΗ ΣΥΣΚΕΥΗ. (ΓΙΑ ΤΗΝ ΑΓΟΡΑ ΕΚΤΟΣ ΤΗΣ ΕΕ)

Ο ΚΑΘΑΡΙΣΜΟΣ ΚΑΙ Η ΣΥΝΤΗΡΗΣΗ ΠΡΕΠΕΙ ΝΑ ΓΙΝΕΤΑΙ ΑΠΟ ΕΝΑΝ ΕΝΗΛΙΚΑ ΗΛΙΚΙΑΣ ΑΝΩ ΤΩΝ 18 ΕΤΩΝ, Ο ΟΠΟΙΟΣ ΓΝΩΡΙΖΕΙ ΤΟΝ ΚΙΝΔΥΝΟ ΤΗΣ ΗΛΕΚΤΡΟΠΛΗΞΙΑΣ. ΟΤΑΝ Η ΣΥΣΚΕΥΗ ΔΕΝ ΠΡΟΚΕΙΤΑΙ ΝΑ ΧΡΗΣΙΜΟΠΟΙΗΘΕΙ ΓΙΑ ΜΕΓΑΛΟ ΧΡΟΝΙΚΟ ΔΙΑΣΤΗΜΑ, ΟΠΩΣ ΤΟΝ ΧΕΙΜΩΝΑ, ΤΟ ΣΕΤ ΠΙΣΙΝΑΣ ΘΑ ΠΡΕΠΕΙ ΝΑ ΑΠΟΣΥΝΑΡΜΟΛΟΓΗΘΕΙ ΚΑΙ ΝΑ ΑΠΟΘΗΚΕΥΤΕΙ ΣΕ ΕΞΩΤΕΡΙΚΟ ΧΩΡΟ.

ΠΡΟΣΟΧΗ - ΔΙΑΒΑΣΤΕ ΤΙΣ ΟΔΗΓΙΕΣ ΠΡΙΝ ΧΡΗΣΙΜΟΠΟΙΗΣΕΤΕ ΤΗ ΣΥΣΚΕΥΗ ΚΑΙ ΚΑΘΕ ΦΟΡΑ ΠΡΙΝ ΤΗΝ ΕΓΚΑΤΑΣΤΑΣΗ / ΕΠΑΝΑΣΥΝΑΡΜΟΛΟΓΗΣΗ.

Η ΣΥΣΚΕΥΗ ΠΡΕΠΕΙ ΝΑ ΤΟΠΟΘΕΤΗΘΕΙ ΠΑΝΩ ΑΠΟ 2Μ ΜΑΚΡΙΑ ΑΠΟ ΤΗΝ ΠΙΣΙΝΑ. (ΜΟΝΟ ΓΙΑ ΤΗ ΓΑΛΛΙΑ). ΟΙ ΗΛΕΚΤΡΙΚΕΣ ΕΓΚΑΤΑΣΤΑΣΕΙΣ ΘΑ ΠΡΕΠΕΙ ΝΑ ΑΚΟΛΟΥΘΟΥΝ ΤΟΥΣ ΚΑΝΟΝΙΣΜΟΥΣ ΚΑΛΩΔΙΩΣΗΣ. ΣΥΜΒΟΥΛΕΥΤΕΙΤΕ ΕΝΑΝ ΠΙΣΤΟΠΟΙΗΜΕΝΟ ΗΛΕΚΤΡΟΛΟΓΟ ΓΙΑ ΟΠΟΙΕΣΔΗΠΟΤΕ ΕΡΩΤΗΣΕΙΣ.

ΜΟΝΟ ΤΑ ΜΕΣΑ ΠΟΥ ΠΑΡΕΧΟΝΤΑΙ Η ΠΟΥ ΚΑΘΟΡΙΖΟΝΤΑΙ ΑΠΟ ΤΟΝ ΚΑΤΑΣΚΕΥΑΣΤΗ ΠΡΕΠΕΙ ΝΑ ΧΡΗΣΙΜΟΠΟΙΟΥΝΤΑΙ ΜΕ ΤΗΝ ΕΓΚΑΤΑΣΤΑΣΗ ΤΟΥ ΠΡΟΪΟΝΤΟΣ.

ΕΙΝΑΙ ΑΠΑΡΑΙΤΗΤΟ ΝΑ ΕΛΕΓΞΕΤΕ ΟΤΙ ΤΑ ΑΝΟΙΓΜΑΤΑ ΑΝΑΡΡΟΦΗΣΗΣ ΔΕΝ ΠΑΡΕΜΠΟΔΙΖΟΝΤΑΙ. ΣΥΝΙΣΤΑΤΑΙ ΝΑ ΔΙΑΚΟΠΤΕΤΕ ΤΟ ΦΙΛΤΡΑΡΙΣΜΑ ΚΑΤΑ ΤΗ ΔΙΑΡΚΕΙΑ ΕΡΓΑΣΙΩΝ ΣΥΝΤΗΡΗΣΗΣ ΣΤΟ ΣΥΣΤΗΜΑ ΦΙΛΤΡΑΡΙΣΜΑΤΟΣ.

ΕΠΙΘΕΩΡΕΙΤΕ ΤΑΚΤΙΚΑ ΤΗ ΣΤΑΘΜΗ ΑΠΟΦΡΑΞΗΣ ΤΟΥ ΦΙΛΤΡΟΥ.

ΣΥΝΙΣΤΑΤΑΙ ΕΝΑΣ ΕΒΔΟΜΑΔΙΑΙΟΣ ΕΛΕΓΧΟΣ ΓΙΑ ΚΑΘΑΡΙΣΜΟ.

ΣΥΝΙΣΤΑΤΑΙ ΕΛΑΧΙΣΤΟΣ ΗΜΕΡΗΣΙΟΣ ΧΡΟΝΟΣ ΛΕΙΤΟΥΡΓΙΑΣ ΦΙΛΤΡΑΡΙΣΜΑΤΟΣ 8 ΩΡΩΝ ΓΙΑ ΝΑ ΕΞΑΣΦΑΛΙΖΕΤΑΙ ΚΑΘΑΡΟ ΝΕΡΟ ΣΤΗΝ ΠΙΣΙΝΑ.

ΕΙΝΑΙ ΑΠΑΡΑΙΤΗΤΟ ΝΑ ΑΛΛΑΞΕΤΕ ΟΠΟΙΟΔΗΠΟΤΕ ΚΑΤΕΣΤΡΑΜΜΕΝΟ ΣΤΟΙΧΕΙΟ Η ΣΥΝΟΛΟ ΣΤΟΙΧΕΙΩΝ ΤΟ ΣΥΝΤΟΜΟΤΕΡΟ ΔΥΝΑΤΟ. ΧΡΗΣΙΜΟΠΟΙΕΙΤΕ ΜΟΝΟ ΑΝΤΑΛΛΑΚΤΙΚΑ ΕΓΚΕΚΡΙΜΕΝΑ ΑΠΟ ΤΟΝ ΥΠΕΥΘΥΝΟ ΓΙΑ ΤΗ ΔΙΑΘΕΣΗ ΤΟΥ ΠΡΟΪΟΝΤΟΣ ΣΤΗΝ ΑΓΟΡΑ.

ΌΛΑ ΤΑ ΦΙΛΤΡΑ ΚΑΙ ΜΕΣΑ ΦΙΛΤΡΑΡΙΣΜΑΤΟΣ ΠΡΕΠΕΙ ΝΑ ΕΠΙΘΕΩΡΟΥΝΤΑΙ ΤΑΚΤΙΚΑ ΓΙΑ ΝΑ ΕΞΑΣΦΑΛΙΖΕΤΑΙ ΟΤΙ ΔΕΝ ΥΠΑΡΧΕΙ ΣΥΣΣΩΡΕΥΣΗ ΥΠΟΛΕΙΜΜΑΤΩΝ ΕΜΠΟΔΙΖΟΝΤΑΣ ΕΤΣΙ ΤΟ ΚΑΛΟ ΦΙΛΤΡΑΡΙΣΜΑ. Η ΑΠΟΡΡΙΨΗ ΟΠΟΙΩΝΔΗΠΟΤΕ ΜΕΤΑΧΕΙΡΙΣΜΕΝΩΝ ΜΕΣΩΝ ΦΙΛΤΡΑΡΙΣΜΑΤΟΣ ΘΑ ΠΡΕΠΕΙ ΕΠΙΣΗΣ ΝΑ ΕΙΝΑΙ ΣΥΜΦΩΝΗ ΜΕ ΤΟΥΣ ΙΣΧΥΟΝΤΕΣ ΚΑΝΟΝΙΣΜΟΥΣ/ΝΟΜΟΘΕΣΙΑ. ΣΕ ΠΕΡΙΠΤΩΣΗ ΑΜΦΙΒΟΛΙΑΣ ΣΧΕΤΙΚΑ ΜΕ ΤΗΝ ΑΝΤΛΙΑ Η ΟΠΟΙΕΣΔΗΠΟΤΕ ΑΛΛΕΣ ΣΥΣΚΕΥΕΣ ΚΥΚΛΟΦΟΡΙΑΣ, ΕΠΙΚΟΙΝΩΝΗΣΤΕ ΜΕ ΕΝΑΝ ΕΞΕΙΔΙΚΕΥΜΕΝΟ ΕΓΚΑΤΑΣΤΑΤΗ, Η ΜΕ ΤΟΝ

ΚΑΤΑΣΚΕΥΑΣΤΗ / ΕΙΣΑΓΩΓΕΑ / ΑΝΤΙΠΡΟΣΩΠΟ.

Η ΕΓΚΑΤΑΣΤΑΣΗ ΚΥΚΛΟΦΟΡΙΑΣ ΤΟΥ ΝΕΡΟΥ ΠΡΕΠΕΙ ΝΑ ΣΥΜΜΟΡΦΩΝΕΤΑΙ ΤΟΣΟ ΜΕ ΤΟΥΣ ΕΥΡΩΠΑΪΚΟΥΣ ΟΣΟ ΚΑΙ ΜΕ ΤΟΥΣ ΕΘΝΙΚΟΥΣ/ΤΟΠΙΚΟΥΣ ΚΑΝΟΝΙΣΜΟΥΣ, ΕΙΔΙΚΑ ΣΕ ΟΤΙ ΑΦΟΡΑ ΗΛΕΚΤΡΟΛΟΓΙΚΑ ΖΗΤΗΜΑΤΑ.

ΟΠΟΙΑΔΗΠΟΤΕ ΑΛΛΑΓΗ ΣΤΗ ΘΕΣΗ ΤΗΣ ΒΑΛΒΙΔΑΣ, ΣΤΟ ΜΕΓΕΘΟΣ ΤΗΣ ΑΝΤΛΙΑΣ, ΣΤΟ ΜΕΓΕΘΟΣ ΤΗΣ ΣΧΑΡΑΣ ΜΠΟΡΕΙ ΝΑ ΠΡΟΚΑΛΕΣΕΙ ΜΙΑ ΑΛΛΑΓΗ ΤΗΣ ΠΑΡΟΧΗΣ ΚΑΙ Η ΤΑΧΥΤΗΤΑ ΑΝΑΡΡΟΦΗΣΗΣ ΜΠΟΡΕΙ ΝΑ ΑΥΞΗΘΕΙ.

ΤΗΡΗΣΤΕ ΟΛΕΣ ΤΙΣ ΑΠΑΙΤΗΣΕΙΣ ΑΣΦΑΛΕΙΑΣ ΚΑΙ ΤΙΣ ΣΥΣΤΑΣΕΙΣ ΠΟΥ ΠΕΡΙΓΡΑΦΟΝΤΑΙ ΣΤΟ ΕΓΧΕΙΡΙΔΙΟ.

ΣΗΜΕΙΩΣΗ:

ΠΑΡΑΚΑΛΕΙΣΤΕ ΝΑ ΕΞΕΤΑΣΕΤΕ ΤΟΝ ΕΞΟΠΛΙΣΜΟ ΠΡΙΝ ΑΠΟ ΤΗ ΧΡΗΣΗ. ΓΙΑ ΤΥΧΟΝ ΚΑΤΕΣΤΡΑΜΜΕΝΑ ΜΕΡΗ Ή ΜΕΡΗ ΠΟΥ ΛΕΙΠΟΥΝ ΚΑΤΑ ΤΗΝ ΑΓΟΡΑ, ΕΙΔΟΠΟΙΣΤΕ ΤΗΝ Bestway ΣΤΙΣ ΔΙΕΘΥΝΣΕΙΣ ΕΞΥΠΗΡΕΤΗΣΗΣ ΠΕΛΑΤΩΝ ΠΟΥ ΠΑΡΑΤΙΘΕΝΤΑΙ ΣΤΟ ΠΑΡΟΝ ΕΓΧΕΙΡΙΔΙΟ. ΒΕΒΑΙΩΘΕΙΤΕ ΟΤΙ ΤΑ ΣΤΟΙΧΕΙΑ ΤΟΥ ΕΞΟΠΛΙΣΜΟΥ ΑΝΤΙΣΤΟΙΧΟΥΝ ΣΤΑ ΜΟΝΤΕΛΑ ΠΟΥ ΘΕΛΑΤΕ ΝΑ ΑΓΟΡΑΣΕΤΕ.

ΣΗΜΕΙΩΣΗ:

ΤΟΠΟΘΕΤΗΣΤΕ ΤΗΝ ΑΝΤΛΙΑ ΣΕ ΣΤΑΘΕΡΗ ΒΑΣΗ Ή ΣΕ ΕΠΙΠΕΔΗ ΠΛΑΚΑ. ΠΑΡΑΚΑΛΕΙΣΤΕ ΝΑ ΕΞΑΣΦΑΛΙΣΕΤΕ ΟΤΙ Η ΑΝΤΛΙΑ-ΦΙΛΤΡΟ ΒΡΙΣΚΕΤΑΙ ΕΝΑ ΤΟΥΛΑΧΙΣΤΟΝ ΜΕΤΡΟ ΜΑΚΡΙΑ ΑΠΟ ΤΗΝ ΠΛΕΥΡΑ ΤΗΣ ΠΙΣΙΝΑΣ. ΤΟΠΟΘΕΤΑΙ ΕΠΑΡΚΗΣ ΕΞΑΕΡΙΣΜΟΣ, ΑΠΟΣΤΡΑΓΓΙΣΗ ΚΑΙ ΠΡΟΣΒΑΣΗ ΓΙΑ ΚΑΘΟΡΙΣΜΟ. ΜΗΝ ΤΟΠΟΘΕΤΕΙΤΕ ΠΟΤΕ ΤΗΝ ΑΝΤΛΙΑ ΣΕ ΧΩΡΟ ΟΠΟΥ ΜΠΟΡΕΙ ΝΑ ΣΥΣΣΩΡΕΥΤΕΙ ΝΕΡΟ Ή ΣΕ ΚΑΠΟΙΑ ΠΕΡΙΟΧΗ ΓΥΡΩ ΑΠΟ ΤΗΝ ΠΙΣΙΝΑ ΠΡΟΥ ΚΥΚΛΟΦΟΡΟΥΝ ΑΝΘΡΩΠΟΙ.

ΕΙΝΑΙ ΑΠΑΡΑΙΤΗΤΟ ΝΑ ΥΠΑΡΧΕΙ ΠΡΟΣΒΑΣΗ ΣΤΟ ΒΥΣΜΑ ΜΕΤΑ ΑΠΟ ΤΗΝ ΕΓΚΑΤΑΣΤΑΣΗ ΤΗΣ ΠΙΣΙΝΑΣ.

ΣΗΜΕΙΩΣΗ:

ΟΙ ΑΤΜΟΣΦΑΙΟΙΚΕΣ ΣΥΝΘΗΚΕΣ ΜΠΟΡΕΙ ΝΑ ΕΠΗΡΕΑΣΟΥΝ ΤΗΝ ΑΠΟΔΟΣΗ ΚΑΙ ΤΗ ΔΙΑΡΚΕΙΑ ΛΕΙΤΟΥΡΓΙΑΣ ΤΗΣ ΑΝΤΛΙΑΣ-ΦΙΛΤΡΟΥ ΣΑΣ. ΚΑΤΑ ΤΗ ΔΙΑΡΚΕΙΑ ΠΕΡΙΟΔΩΝ ΠΑΓΕΤΟΥ, ΚΑΥΣΩΝΑ Ή ΕΚΘΕΣΗΣ ΣΤΟΝ ΗΛΙΟ, ΜΠΟΡΕΙ ΝΑ ΠΡΟΚΛΗΘΕΙ ΣΤΗΝ ΑΝΤΛΙΑ ΠΕΡΙΤΤΗ ΦΘΟΡΑ ΚΑΙ ΣΚΙΣΙΜΑΤΑ. ΟΠΟΤΕ ΕΙΝΑΙ ΔΥΝΑΤΟ, ΠΡΟΣΤΑΤΕΥΣΤΕ ΤΗΝ ΑΝΤΛΙΑ ΑΠΟ ΑΥΤΕΣ ΤΙΣ ΣΥΝΘΗΚΕΣ. ΠΡΙΝ ΤΗΝ ΑΦΑΙΡΕΣΗ ΤΗΣ ΑΝΤΛΙΑΣ Ή ΤΗΝ ΕΚΤΕΛΕΣΗ ΕΡΓΑΣΙΩΝ ΣΥΝΤΗΡΗΣΗΣ ΣΕ ΑΥΤΗΝ, ΕΙΝΑΙ ΣΗΜΑΝΤΙΚΟ ΝΑ ΑΝΤΙΚΑΤΑΣΤΗΣΕΤΕ ΤΙΣ ΜΠΛΕ ΤΑΠΕΣ ΓΙΑ ΤΙΣ ΘΥΡΕΣ ΕΙΣΟΔΟΥ ΚΑΙ ΕΞΟΔΟΥ, ΟΙ ΟΠΟΙΕΣ ΤΟΠΟΘΕΤΟΥΝΤΑΙ ΕΡΓΟΣΤΑΣΙΑΚΑ, ΜΕ ΤΙΣ ΣΗΤΕΣ.

ΣΗΜΕΙΩΣΗ:

ΜΗΝ ΠΡΟΣΘΕΤΕΤΕ ΧΗΜΙΚΕΣ ΟΥΣΙΕΣ ΣΤΗΝ ΑΝΤΛΙΑ ΦΙΛΤΡΟΥ.

ΜΗ ΣΥΝΔΕΕΤΕ Η ΑΠΟΣΥΝΔΕΑΤΕ ΤΗ ΣΥΣΚΕΥΗ ΜΕ ΒΡΕΓΜΕΝΑ ΧΕΡΙΑ.

ΠΑΝΤΟΤΕ ΑΠΟΣΥΝΔΕΕΤΕ ΤΗ ΣΥΣΚΕΥΗ:

- ΣΕ ΒΡΟΧΕΡΕΣ ΗΜΕΡΕΣ

- ΠΡΙΝ ΤΟΝ ΚΑΘΑΡΙΣΜΟ Η ΑΠΟ ΑΛΛΗ ΣΥΝΤΗΡΗΣΗ

- ΑΦΗΣΤΕ ΤΟ ΧΩΡΙΣ ΕΠΙΒΛΕΨΗ ΚΑΤΑ ΤΗ ΔΙΑΡΚΕΙΑ ΤΩΝ ΔΙΑΚΟΠΩΝ

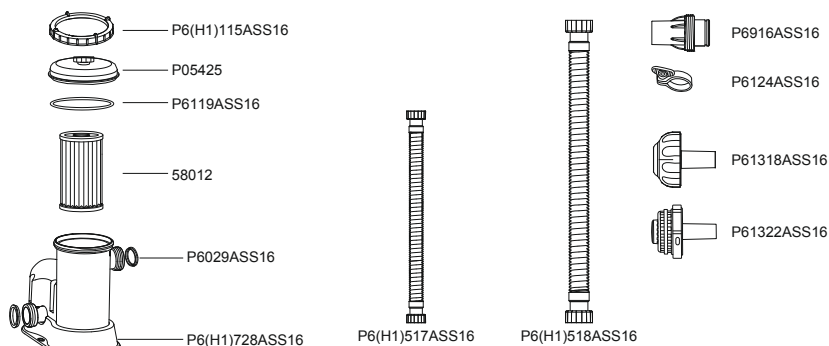
ΑΣΦΑΛΗΣ ΦΥΛΑΞΗ ΤΩΝ ΟΔΗΓΙΩΝ. ΓΙΑ ΤΗΝ ΑΝΑΚΑΤΑΣΚΕΥΗ ΤΟΥ ΣΕΤ ΤΗΣ ΠΙΣΙΝΑΣ ΚΑΘΕ ΦΟΡΑ, ΠΑΡΑΚΑΛΟΥΜΕ ΝΑ ΑΝΑΤΡΕΧΕΤΕ ΠΑΝΤΟΤΕ ΣΤΙΣ ΟΔΗΓΙΕΣ.

ΕΑΝ ΧΑΣΕΤΕ ΤΙΣ ΟΔΗΓΙΕΣ, ΠΑΡΑΚΑΛΟΥΜΕ ΕΠΙΚΟΙΝΩΝΗΣΤΕ ΜΕ ΤΗΝ ΒΕΣΤΩΑΨ Η ΑΝΑΖΗΤΗΣΤΕ ΤΙΣ ΣΤΗΝ ΙΣΤΟΣΕΛΙΔΑ: www.bestwaycorp.com

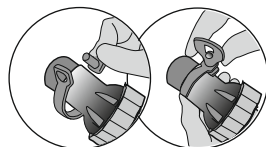
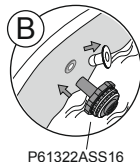
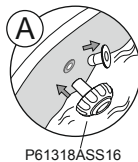
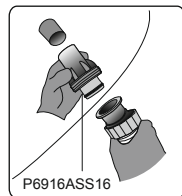
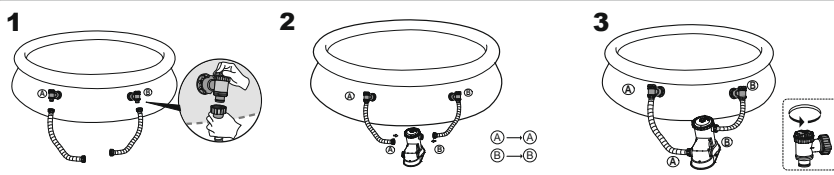
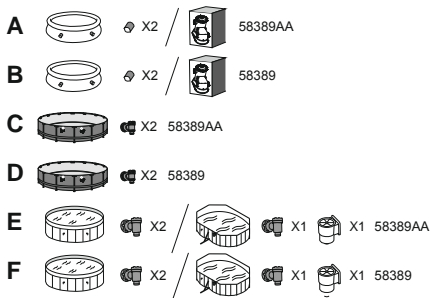
ΣΗΜΕΙΩΣΗ: ΑΥΤΟ ΤΟ ΠΡΟΪΟΝ ΔΕΝ ΠΡΟΟΡΙΖΕΤΑΙ ΓΙΑ ΕΜΠΟΡΙΚΗ ΧΡΗΣΗ.

ΠΑΡΑΚΑΛΟΥΜΕ ΔΙΑΒΑΣΤΕ ΠΡΟΣΕΚΤΙΚΑ ΤΟ ΕΓΧΕΙΡΙΔΙΟ ΟΔΗΓΙΩΝ ΚΑΙ ΦΥΛΑΞΤΕ ΤΟ ΓΙΑ ΜΕΛΛΟΝΤΙΚΗ ΑΝΑΦΟΡΑ.

ΦΥΛΑΞΤΕ ΤΙΣ ΟΔΗΓΙΕΣ ΑΥΤΕΣ.

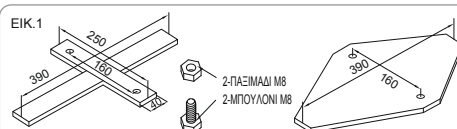


	A	B	C	D	E	F
P05425	1	1	1	1	1	1
P6(H1)115ASS16	1	1	1	1	1	1
P6119ASS16	1	1	1	1	1	1
58012	1	1	1	1	1	1
P6(H1)728ASS16	1	1	1	1	1	1
P6(H1)517ASS16	2	0	2	0	2	0
P6(H1)518ASS16	0	2	0	2	0	2
P6124ASS16	2	2	0	0	0	0
P6029ASS16	2	2	2	2	2	2
P6916ASS16	2	2	0	0	0	0
P61322ASS16	1	1	0	0	0	0
P61318ASS16	1	1	0	0	0	0



ΣΤΕΡΕΩΣΗ ΒΑΣΗΣ ΕΙΚ.1

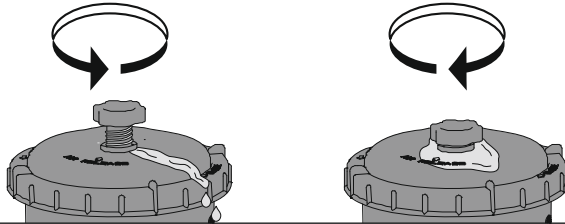
ΚΑΤΑ ΤΙΣ ΑΠΑΙΤΗΣΕΙΣ ΔΟΚΙΜΩΝ ΠΟΥ ΠΡΟΔΙΑΓΡΑΦΟΝΤΑΙ ΑΠΟ ΤΟ ΠΡΟΤΥΠΟ EN60335-2-41, Η ΑΝΤΛΙΑ ΦΙΛΤΡΟΥ ΠΡΕΠΕΙ ΝΑ ΣΤΕΡΕΩΝΕΤΑΙ ΚΑΤΑΚΟΡΥΦΑ ΣΤΟ ΕΔΑΦΟΣ Η ΝΑ ΚΑΤΑΣΚΕΥΑΖΕΤΑΙ ΕΝΑ ΒΑΡΟΣ ΑΠΟ ΞΥΛΟ Η ΣΚΥΡΟΔΕΜΑ ΠΡΙΝ ΑΠΟ ΤΗ ΧΡΗΣΗ. ΘΑ ΠΡΕΠΕΙ ΝΑ ΥΠΑΡΧΟΥΝ ΔΥΟ ΟΠΕΣ ΜΕ ΔΙΑΜΕΤΡΟ 9mm ΣΤΟ ΒΑΡΟΣ, Η ΑΠΟΣΤΑΣΗ ΜΕΤΑΞΥ ΤΩΝ ΟΠΩΝ ΘΑ ΠΡΕΠΕΙ ΝΑ ΕΙΝΑΙ 160mm. ΤΟΠΟΘΕΤΗΣΤΕ ΤΗΝ ΑΝΤΛΙΑ ΦΙΛΤΡΟΥ ΣΤΟ ΒΑΡΟΣ ΚΑΙ ΣΥΝΔΕΣΤΕ ΤΑ ΜΑΖΙ, ΣΤΕΡΕΩΝΟΝΤΑΣ ΤΟΥΣ ΚΟΧΛΙΕΣ ΚΑΙ ΤΑ ΠΑΞΙΜΑΔΙΑ. ΟΛΑ ΤΑ ΜΕΡΗ ΤΟΥ ΒΑΡΟΥ ΘΑ ΠΡΕΠΕΙ ΝΑ ΖΥΓΙΖΟΥΝ ΠΛΗΡΗ ΑΠΟ 18kg ΤΟΥΛΑΧΙΣΤΟΝ ΓΙΑ ΤΗΝ ΑΠΟΦΥΓΗ ΑΚΟΥΣΙΑΣ ΠΤΩΣΗΣ ΤΗΣ ΑΝΤΛΙΑΣ.



ΣΗΜΕΙΩΣΗ: ΕΙΝΑΙ ΥΠΟΧΡΕΩΤΙΚΟ ΝΑ ΕΛΕΓΞΕΤΕ ΟΤΙ ΟΙ ΥΔΡΑΥΛΙΚΟΙ ΣΥΝΔΕΣΜΟΙ ΔΕΝ ΕΙΝΑΙ ΚΛΕΙΣΤΟΙ.

ΛΕΙΤΟΥΡΓΙΑ

- 1) ΑΝΟΙΞΤΕ/ΞΕΒΙΔΩΣΤΕ ΤΗ ΒΑΛΒΙΔΑ ΕΚΚΕΝΩΣΗΣ ΑΕΡΑ ΣΤΟ ΕΠΙΠΛΩ ΜΕΡΟΣ ΤΗΣ ΑΝΤΛΙΑΣ ΦΙΛΤΡΟΥ. Ο ΑΕΡΑΣ ΑΠΕΛΕΥΘΕΡΩΝΕΤΑΙ ΚΑΘΩΣ ΤΟ ΝΕΡΟ ΓΕΜΙΖΕΙ ΤΗΝ ΑΝΤΛΙΑ ΦΙΛΤΡΟΥ.
- 2) ΟΤΑΝ ΑΡΧΙΣΕΙ ΝΑ ΒΓΑΙΝΕΙ ΝΕΡΟ ΑΠΟ ΤΗ ΒΑΛΒΙΔΑ ΕΚΚΕΝΩΣΗΣ ΑΕΡΑ ΒΙΔΩΣΤΕ ΤΗΝ ΝΑ ΚΛΕΙΣΕΙ ΚΑΙ ΣΚΟΥΠΙΣΤΕ ΤΟ ΝΕΡΟ.
- 3) ΓΙΑ ΝΑ ΕΚΚΙΝΗΣΕΤΕ ΤΗΝ ΑΝΤΛΙΑ ΦΙΛΤΡΟΥ, ΕΙΣΑΓΕΤΕ ΤΟ ΒΥΣΜΑ ΣΕ ΕΝΑΝ ΑΥΤΟΜΑΤΟ ΔΙΑΚΟΠΤΗ ΔΙΑΡΡΗΣΗΣ (RCD).
- 4) ΓΙΑ ΝΑ ΕΚΚΙΝΗΣΕΤΕ ΤΗΝ ΑΝΤΛΙΑ ΦΙΛΤΡΟΥ, ΕΙΣΑΓΕΤΕ ΤΟ ΒΥΣΜΑ ΣΕ ΕΝΑ ΚΥΚΛΩΜΑ ΠΑΡΑΜΕΝΟΥΣΑΣ ΙΣΧΥΟΣ (DDR) ΜΟΝΟ ΓΙΑ ΤΗ ΓΑΛΛΙΑ.



ΣΗΜΑΝΤΙΚΟ: ΜΗΝ ΑΔΕΙΑΖΕΤΕ ΠΟΤΕ ΕΝΤΕΛΩΣ ΤΗΝ ΑΝΤΛΙΑ ΦΙΛΤΡΟΥ – ΒΕΒΑΙΩΘΕΙΤΕ ΟΤΙ ΟΙ ΒΑΛΒΙΔΕΣ ΕΙΣΟΔΟΥ ΚΑΙ ΕΞΟΔΟΥ ΕΙΝΑΙ ΠΛΗΡΩΣ ΚΑΛΥΜΜΕΝΕΣ ΜΕ ΝΕΡΟ ΠΡΙΝ ΘΕΣΕΤΕ ΣΕ ΛΕΙΤΟΥΡΓΙΑ ΤΗΝ ΑΝΤΛΙΑ ΦΙΛΤΡΟΥ.

ΣΥΝΤΗΡΗΣΗ ΑΝΤΛΙΑΣ

ΠΡΟΣΟΧΗ: ΠΡΕΠΕΙ ΝΑ ΒΕΒΑΙΩΘΕΙΤΕ ΟΤΙ ΤΟ ΦΙΣ ΤΟΥ ΗΛΕΚΤΡΙΚΟΥ ΚΑΛΩΔΙΟΥ ΤΗΣ ΑΝΤΛΙΑΣ-ΦΙΛΤΡΟΥ ΔΕΝ ΒΡΙΣΚΕΤΑΙ ΣΤΗΝ ΠΡΙΖΑ ΠΡΙΝ ΞΕΚΙΝΗΣΕΤΕ ΟΠΟΙΑΔΗΠΟΤΕ ΕΡΓΑΣΙΑ ΣΥΝΤΗΡΗΣΗΣ, ΔΙΑΦΟΡΕΤΙΚΑ ΥΠΑΡΧΕΙ ΚΙΝΔΥΝΟΣ ΠΡΟΚΛΗΣΗΣ ΣΟΒΑΡΟΥ ΤΡΑΥΜΑΤΙΣΜΟΥ Ή ΘΑΝΑΤΟΥ.

- 1) ΑΠΟΣΥΝΔΕΣΤΕ ΤΗΝ ΑΝΤΛΙΑ ΦΙΛΤΡΟΥ.
- 2) ΔΙΑΚΟΨΤΕ ΤΗ ΡΟΗ ΤΟΥ ΝΕΡΟΥ ΠΡΟΣ ΤΗΝ ΑΝΤΛΙΑ ΦΙΛΤΡΟΥ ΑΝΑΤΡΕΧΟΝΤΑΣ ΣΤΟ ΕΓΧΕΙΡΙΔΙΟ ΤΗΣ ΠΙΣΙΝΑΣ.
- 3) ΞΕΒΙΔΩΣΤΕ ΤΟ ΣΥΓΚΡΑΤΗΤΗ ΚΑΠΑΚΙΟΥ ΦΙΛΤΡΟΥ ΚΑΙ ΑΦΑΙΡΕΣΤΕ ΤΟ ΚΑΠΑΚΙ ΦΙΛΤΡΟΥ.
- 4) ΚΑΘΑΡΙΣΤΕ ΤΟ ΣΤΟΙΧΕΙΟ ΦΙΛΤΡΟΥ ΜΕ ΕΝΑ ΛΑΣΤΙΧΟ ΚΗΠΟΥ.
- 5) ΕΙΣΑΓΕΤΕ ΤΟ ΚΑΘΑΡΙΣΜΕΝΟ (Η ΚΑΘΑΡΟ) ΣΤΟΙΧΕΙΟ ΦΙΛΤΡΟΥ. ΕΞΑΣΦΑΛΙΣΤΕ ΟΤΙ ΕΙΝΑΙ ΚΕΝΤΡΑΡΙΣΜΕΝΟ ΣΤΗΝ ΑΝΤΛΙΑ ΦΙΛΤΡΟΥ.
- 6) ΕΙΣΑΓΕΤΕ ΟΤΙ Η ΣΤΕΓΑΝΟΦΟΡΗ ΚΑΠΑΚΙΟΥ ΦΙΛΤΡΟΥ ΒΡΙΣΚΕΤΑΙ ΣΤΗ ΘΕΣΗ ΤΟΥ.
- 7) ΑΝΤΙΚΑΤΑΣΤΗΣΤΕ ΤΟ ΚΑΠΑΚΙ ΦΙΛΤΡΟΥ ΚΑΙ ΒΙΔΩΣΤΕ ΤΟ ΣΥΓΚΡΑΤΗΤΗ ΚΑΠΑΚΙΟΥ ΦΙΛΤΡΟΥ ΣΤΗ ΘΕΣΗ ΤΟΥ.
- 8) ΑΝΟΙΞΤΕ ΤΙΣ ΒΑΛΒΙΔΕΣ Α ΚΑΙ Β.
- 9) ΑΚΟΛΟΥΘΗΣΤΕ ΤΗΝ ΕΝΟΤΗΤΑ ΟΔΗΓΙΕΣ ΕΓΚΑΤΑΣΤΑΣΗΣ ΑΝΤΛΙΑΣ ΓΙΑ ΝΑ ΠΡΟΕΤΟΙΜΑΣΤΕ ΤΟ ΣΥΣΤΗΜΑ ΠΡΟΣ ΧΡΗΣΗ.

ΣΗΜΑΝΤΙΚΟ: ΓΙΑ ΛΟΓΟΥΣ ΥΓΙΕΙΝΗΣ, ΠΡΟΤΕΙΝΟΥΜΕ ΤΗΝ ΑΝΤΙΚΑΤΑΣΤΑΣΗ ΤΟΥ ΣΤΟΙΧΕΙΟΥ ΦΙΛΤΡΟΥ ΜΕ ΕΝΑ ΝΕΟ ΚΑΘΕ ΔΥΟ ΕΒΔΟΜΑΔΕΣ. ΠΛΕΝΕΤΕ ΤΟ ΦΙΛΤΡΟ ΚΑΘΗΜΕΡΙΝΑ.

ΑΠΟΘΗΚΕΥΣΗ ΑΝΤΛΙΑΣ

- 1) ΑΠΟΣΥΝΔΕΣΤΕ ΤΗΝ ΑΝΤΛΙΑ ΦΙΛΤΡΟΥ.
- 2) ΣΤΑΜΑΤΗΣΤΕ ΤΗ ΡΟΗ ΤΟΥ ΝΕΡΟΥ ΠΡΟΣ ΤΗΝ ΑΝΤΛΙΑ ΦΙΛΤΡΟΥ ΚΑΙ ΑΦΑΙΡΕΣΤΕ ΤΟ ΣΤΟΙΧΕΙΟ ΤΟΥ ΦΙΛΤΡΟΥ.
- 3) ΑΠΟΡΡΙΨΤΕ ΤΟ ΣΤΟΙΧΕΙΟ ΦΙΛΤΡΟΥ.
- 4) ΑΠΟΣΥΝΔΕΣΤΕ ΟΛΟΥΣ ΤΟΥΣ ΕΥΚΑΜΠΤΟΥΣ ΣΩΛΗΝΕΣ.
- 5) ΣΤΕΓΝΩΣΤΕ ΚΑΛΑ ΟΛΑ ΤΑ ΕΞΑΡΤΗΜΑΤΑ.
- 6) ΑΠΟΘΗΚΕΥΣΤΕ ΤΗΝ ΑΝΤΛΙΑ ΦΙΛΤΡΟΥ ΣΕ ΞΗΡΟ ΧΩΡΟ ΜΑΚΡΙΑ ΑΠΟ ΠΑΙΔΙΑ, ΘΕΡΜΟΚΡΑΣΙΑ ΑΠΟΘΗΚΕΥΣΗΣ: 4-40°C(39,2-104 F)
- 7) ΑΠΟΣΤΡΑΤΙΨΤΕ ΤΗΝ ΠΙΣΙΝΑ ΣΥΜΦΩΝΑ ΜΕ ΤΟ ΕΓΧΕΙΡΙΔΙΟ ΧΡΗΣΤΗ ΤΗΣ ΠΙΣΙΝΑΣ.

ΕΓΓΥΗΣΗ ΑΝΤΛΙΑΣ

ΓΙΑ ΠΛΗΡΟΦΟΡΙΕΣ ΣΧΕΤΙΚΑ ΜΕ ΤΗΝ ΕΓΓΥΗΣΗ ΑΝΤΛΙΑΣ, ΠΑΡΑΚΑΛΟΥΜΕ ΕΠΙΣΚΕΦΤΕΙΤΕ ΤΟΝ ΙΣΤΟΤΟΠΟ ΜΑΣ: www.bestwaycorp.com

ΑΠΟΡΡΙΨΗ ΑΝΤΛΙΑΣ



ΤΑ ΑΠΟΒΑΝΤΑ ΤΩΝ ΗΛΕΚΤΡΙΚΩΝ ΠΡΟΪΟΝΤΩΝ ΔΕΝ ΠΡΕΠΕΙ ΝΑ ΑΠΟΡΡΙΠΤΟΝΤΑΙ ΜΑΖΙ ΜΕ ΤΑ ΟΙΚΙΑΚΑ ΑΠΟΡΡΙΜΑΤΑ. ΠΑΡΑΚΑΛΟΥΜΕ ΑΝΑΚΥΚΛΩΣΤΕ ΟΠΟΥ ΥΠΑΡΧΟΥΝ ΟΙ ΣΧΕΤΙΚΕΣ ΕΓΚΑΤΑΣΤΑΣΕΙΣ. ΕΠΙΚΟΙΝΩΗΣΤΕ ΜΕ ΤΙΣ ΑΡΜΟΔΙΕΣ ΤΟΠΙΚΕΣ ΑΡΧΕΣ Ή ΤΟΝ ΠΩΛΗΤΗ ΣΑΣ ΓΙΑ ΟΔΗΓΙΕΣ ΚΑΙ ΣΥΜΒΟΥΛΕΣ ΑΝΑΚΥΚΛΩΣΗΣ.



ΓΙΑ ΝΑ ΔΙΑΣΦΑΛΙΣΤΕΙ ΟΤΙ ΤΟ ΝΕΡΟ ΠΑΡΑΜΕΝΕΙ ΚΑΘΑΡΟ, ΠΑΡΑΚΑΛΟΥΜΕ ΝΑ ΚΑΘΑΡΙΣΕΤΕ ΤΟ ΦΥΣΙΓΓΙΟ ΦΙΛΤΡΟΥ ΚΑΘΗΜΕΡΙΝΑ ΚΑΙ ΝΑ ΤΟ ΑΝΤΙΚΑΘΙΣΤΕ ΟΤΑΝ ΑΠΑΙΤΕΙΤΑΙ.

ФИЛЬТРУЮЩИЙ НАСОС РУКОВОДСТВО ПОЛЬЗОВАТЕЛЯ

Посетите канал Bestway на YouTube



ВНИМАНИЕ

Важные инструкции по технике безопасности

Прочитайте и соблюдайте все инструкции

ВНИМАНИЕ - Опасность поражения электрическим током - Питание насоса должно осуществляться через изолирующий трансформатор или устройство защитного отключения (УЗО) с номинальным остаточным током срабатывания, не превышающим 30 мА.

Штепсельная вилка насоса должна располагаться на расстоянии минимум 3,5 метра от бассейна. Устройство должно быть оснащено заземленным источником питания.

Удлинитель использовать запрещено.

ВНИМАНИЕ - Опасность поражения электрическим током - Не допускается использование насоса, когда кто-либо находится в бассейне.

Располагайте кабель на видном месте, чтобы избежать повреждений от газонокосилок, машин для обрезки кустов и другого оборудования.

ВНИМАНИЕ - Шнур питания не подлежит замене. В случае повреждения шнура электроприбор следует утилизировать.

Осторожно - Этот насос предназначен только для использования с разборными бассейнами. Не используйте его с постоянно установленными бассейнами. Разборный бассейн сконструирован таким образом, что он может быть быстро разобран для хранения и затем вновь собран в его первоначальном виде. Постоянно установленный бассейн построен в или на земле или внутри здания таким образом, что его нельзя быстро разобрать для хранения.

Важно - Подключение насоса к несоответствующему источнику питания опасно и может привести к катастрофической поломке насоса.

Риск поражения электрическим током – При обслуживании электрических частей насоса, отключите электропитание выключателем и затем закройте крышку выключателя. В противном случае это может привести к поражению электротоком, несчастным случаям и даже смерти.

Не удаляйте штырек заземления и не изменяйте вилку никаким образом. Не используйте переходников для вилки. Обращайтесь к квалифицированному электрику по любым вопросам, относящимся к заземлению.

Бережно обращайтесь с насосом. Не тяните и не тащите насос за питающий провод. Никогда

держите провод для того, чтобы вытащить вилку из розетки. Избегайте появления царапин на насосе. Остроконечные предметы, масло, движущиеся механизмы, источники тепла должны находиться вдалеке от фильтрационного насоса.

ВНИМАНИЕ - Данное изделие может использоваться детьми в возрасте 8 лет и старше, а также лицами с ограниченными физическими, сенсорными и умственными возможностями либо лицами без соответствующих навыков и опыта, если они находятся под присмотром или проинструктированы на предмет безопасного использования изделия и осознают связанные с этим опасности. Детям запрещается играть с изделием. Чистку и пользовательское обслуживание запрещено выполнять детям без присмотра. (Для рынка ЕС)

ВНИМАНИЕ - Данное изделие не предназначено для использования лицами (включая детей) с ограниченными физическими, сенсорными и умственными возможностями, а также лицами без соответствующего опыта и знаний, если они не находятся под присмотром или не проинструктированы о порядке пользования изделием лицом, ответственным за их безопасность. Следует наблюдать за детьми, чтобы они не игрались с изделием. (Для рынков вне ЕС)

Чистку и пользовательское обслуживание должны выполнять взрослые старше 18 лет, осведомленные об опасности поражения электрическим током. Если изделие не будет использоваться в течение долгого времени, например, зимой, разберите его и храните в закрытом помещении.

ОСТОРОЖНО - Прочитайте инструкции перед использованием изделия, а также перед каждой установкой и сборкой.

Данный электроприбор следует располагать на расстоянии не менее 2 м. от бассейна. (только для Франции). Электроустановка должна быть выполнена в соответствии с национальными нормами по электропроводке. Посоветуйтесь со специалистом, если у вас есть вопросы.

Только предоставленные или одобренные производителем аксессуары могут быть использованы во время установки прибора.

Обязательно убедитесь в том, что всасывающие отверстия не забыты.

Рекомендуется прекратить фильтрацию бассейна во время манипуляций с фильтрующей системой. Регулярно проверяйте, насколько забит фильтр.

Рекомендуется еженедельная проверка и чистка.

Рекомендуемая минимальная продолжительность ежедневной фильтрации - 8 часов, это обеспечит вам оптимальную чистоту воды в бассейне.

Необходимо сразу же заменять поврежденные элементы или группы элементов. Используйте только запчасти, одобренные лицами, ответственными за допуск товара к продаже.

Все фильтры и аксессуары должны регулярно проверяться на предмет скапливающегося мусора, который может помешать качественной работе фильтра. Утилизируйте использованные аксессуары фильтра согласно соответствующим законам и нормативам.

При возникновении любых сомнений при установке или работе насоса или других приборов, обратитесь к квалифицированному установщику или к производителю/импортеру/посреднику.

Установка для циркуляции воды должна соответствовать как европейским, так и национальным/местным нормативам, особенно в том, что касается электропроводки. Любое изменение позиции клапана, размера насоса, размера сетки могут привести к изменению потока воды; скорость всасывания может увеличиться.

Помните обо всех требованиях безопасности и рекомендациях, приведенных в этом руководстве.

Примечание:

Пожалуйста, перед тем, как приступить к эксплуатации оборудования, осмотрите его. Сообщите в службу работы с покупателями bestway по одному из адресов, перечисленных в настоящем руководстве, о любых поврежденных или недостающих деталях, имеющих место на момент покупки. Убедитесь, что компоненты оборудования соответствуют тем моделям, которые вы приобрели.

Примечание:

Поместите насос на твердом основании или на ровном настиле. Расстояние между насосом и стенкой бассейна должно быть не менее одного метра. Уделите внимание тому, чтобы расположить бассейн и насос таким образом, чтобы обеспечить должную вентиляцию, слив и доступ для чистки. Нельзя помещать бассейн в местах возможного скопления воды или прохода людей. Необходимо обеспечить доступ к вилке насоса после установки бассейна.

Примечание:

Атмосферные условия могут повлиять на работу и на срок службы вашего фильтрационного насоса. Насос может подвергнуться излишнему износу в периоды холода, жары и под воздействием солнечных лучей. По возможности защищайте насос от этих воздействий.

Перед снятием насоса или проведением работ по его техническому обслуживанию необходимо, заменить сетчатые фильтры входного и выходного отверстий синими пробками, входящими в заводскую комплектацию.

Примечание:

Нельзя добавлять химреагенты в фильтрационный насос.

Не подсоединяйте и не отсоединяйте устройство от сети питания влажными руками.

Обязательно отсоединяйте устройство от сети питания:

- В дождливые дни;
- Перед чисткой или другим обслуживанием;
- когда вы уезжаете в отпуск или оставляете изделие без присмотра.

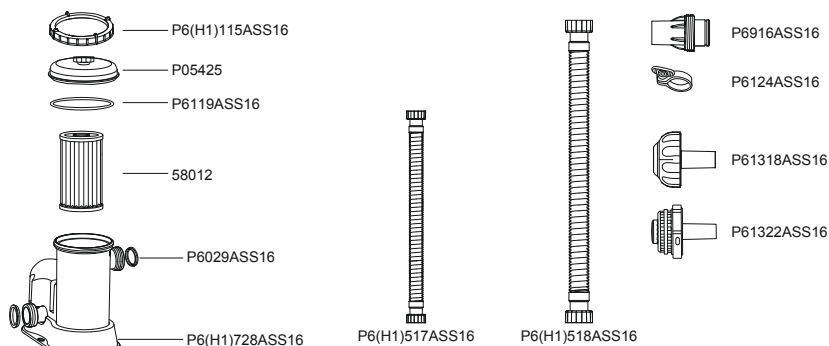
Храните эту инструкцию в надежном месте. Сверяйтесь с ней каждый раз, разбирая бассейн.

В случае утери инструкции обратитесь в компанию Bestway или на веб-сайт: www.bestwaycorp.com

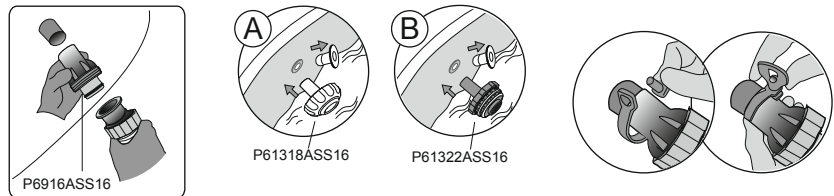
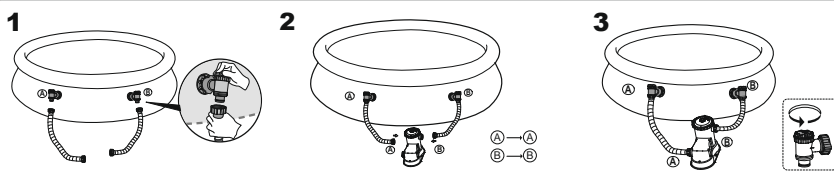
Примечание: Это изделие не предназначено для коммерческого применения.

Внимательно изучите инструкции и сохраните их для дальнейшего использования в справочных целях.

Сохраните эти инструкции.



	A	B	C	D	E	F
P05425	1	1	1	1	1	1
P6(H1)115ASS16	1	1	1	1	1	1
P6119ASS16	1	1	1	1	1	1
58012	1	1	1	1	1	1
P6(H1)728ASS16	1	1	1	1	1	1
P6(H1)517ASS16	2	0	2	0	2	0
P6(H1)518ASS16	0	2	0	2	0	2
P6124ASS16	2	2	0	0	0	0
P6029ASS16	2	2	2	2	2	2
P6916ASS16	2	2	0	0	0	0
P61322ASS16	1	1	0	0	0	0
P61318ASS16	1	1	0	0	0	0



ЗАКРЕПЛЕНИЕ ОСНОВАНИЯ Рис.1

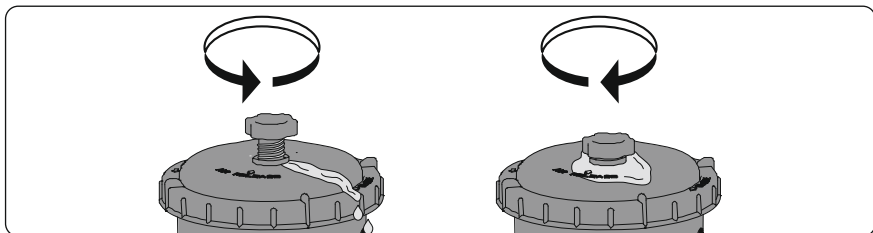
В соответствии с европейским стандартом EN 60335-2-41, насос должен быть установлен вертикально на земле или на деревянном или бетонном основании. В основании должно быть два отверстия диаметром 9 мм, с расстоянием между отверстиями 160 мм. Поместите насос на основание и закрепите крепежными болтами и гайками. Все основание должно весить не менее 18 кг для того, чтобы предотвратить насос от случайного падения.



ПРИМЕЧАНИЕ: Обязательно убедитесь в том, что гидравлические соединения не закупорены.

ЭКСПЛУАТАЦИЯ

- 1) Откройте/отвинтите клапан продувки в верхней части фильтрующего насоса; воздух будет выпущен по мере заполнения фильтрующего насоса водой.
- 2) Когда вода начнет выливаться через клапан продувки, закройте его и вытрите воду.
- 3) Для запуска фильтрующего насоса вставьте вилку в устройство защитного отключения (УЗО).
- 4) Для запуска фильтрующего насоса подсоедините штепсельную вилку к сети переменного тока с защитным устройством (DDR). Только для Франции.



ВАЖНО! НИКОГДА НЕ ЗАПУСКАЙТЕ НАСОС БЕЗ ВОДЫ –
Перед пуском насоса убедитесь, что входной и выходной клапаны заполнены водой.

ТЕХОБСЛУЖИВАНИЕ НАСОСА

**ВНИМАНИЕ: НЕОБХОДИМО УБЕДИТЬСЯ В ТОМ, ЧТО
ФИЛЬТРУЮЩИЙ НАСОС ОТКЛЮЧЕН ИЗ РОЗЕТКИ ПЕРЕД
НАЧАЛОМ ТЕХОБСЛУЖИВАНИЯ, ИНАЧЕ ИМЕЕТСЯ РИСК
ПОЛУЧИТЬ ТРАВМУ.**

- 1) Отсоедините фильтрующий насос от сети.
- 2) Прекратите подачу воды на фильтрующий насос (см. руководство пользователя бассейна).
- 3) Отвинтите фиксатор крышки фильтра и снимите крышку фильтра.
- 4) Промойте картридж фильтра с помощью садового шланга.
- 5) Вставьте промытый (или новый) картридж фильтра; убедитесь, что он находится по центру фильтрующего насоса.
- 6) Проверьте, находится ли на месте уплотнение крышки фильтра.
- 7) Установите крышку фильтра и завинтите фиксатор крышки фильтра.
- 8) Откройте клапаны А и В.
- 9) Для подготовки системы к эксплуатации придерживайтесь Указаний по установке насоса.

ВАЖНО: По соображениям гигиены мы рекомендуем заменять картридж фильтра новым через каждые две недели. Промывайте фильтр каждый день.

ХРАНЕНИЕ НАСОСА

- 1) Отсоедините фильтрующий насос от сети.
- 2) Прекратите подачу воды на фильтрующий насос и снимите картридж фильтра.
- 3) Утилизируйте картридж фильтра.
- 4) Отсоедините все шланги.
- 5) Тщательно просушите все компоненты.
- 6) Храните фильтрующий насос в сухом, недоступном для детей месте. Температура хранения: 4-40°C(39,2-104°F)
- 7) Слив воды из бассейна осуществляйте в соответствии с Руководством пользователя бассейна.



Чтобы обеспечить чистоту воды в бассейне, чистите вкладыш фильтра каждый день и, при необходимости, меняйте его.

ГАРАНТИЯ НА НАСОС

ПОСЕТИТЕ НАШ САЙТ, ЧТОБЫ ПОЛУЧИТЬ ИНФОРМАЦИЮ О ГАРАНТИИ НА НАСОС: www.bestwaycorp.com

УТИЛИЗАЦИЯ НАСОСА



Утилизируемые электротехнические изделия запрещается выбрасывать с бытовым мусором. Отправьте изделия на предприятия по переработке при наличии таковых. Для получения дополнительной информации о переработке обратитесь к местным властям или продавцу изделия.

POMPA FILTRUJĄCA INSTRUKCJA OBSŁUGI

Odwiedź stronę Bestway na YouTube



OSTRZEŻENIE

WAŻNE INFORMACJE DOTYCZĄCE BEZPIECZEŃSTWA PRZECZYTAĆ I PRZESTRZEGAĆ NINIEJSZEJ INSTRUKCJI

OSTRZEŻENIE - RYZYKO PORAŻENIA PRĄDEM ELEKTRYCZNYM - Pompa powinna być zasilana poprzez izolowany transformator lub urządzenie prądu szczytkowego (RCD), gdzie znamionowy prąd roboczy nie przekracza 30 mA.

Wtyczka pompy musi się znajdować w odległości co najmniej 3,5 m od basenu.

Urządzenie musi być zasilane przez uziemione źródło zasilania.

Nie wolno korzystać z przedłużaczy.

OSTRZEŻENIE - RYZYKO PORAŻENIA PRĄDEM ELEKTRYCZNYM - Pompa nie może być używana, kiedy w basenie przebywają osoby.

NIE ZAKOPYWAĆ KABLA. Umieścić przewód w taki sposób, aby nie był on narażony na uszkodzenie przez kosiarki do trawy, urządzenia do konserwacji żywoptłotów lub inne.

OSTRZEŻENIE - Przewodu zasilania nie można wymieniać. Jeżeli przewód jest uszkodzony, urządzenie należy zezłomować (lub poddać utylizacji).

UWAGA - Niniejsza pompa przeznaczona jest do stosowania jedynie z basenami składanymi. Nie stosować do basenów zamontowanych na stałe. Basen składany skonstruowany jest tak, że może zostać szybko rozebrany w celu przechowania oraz zmontowany ponownie w pierwotnym kształcie. Basen stały wbudowany jest w ziemię lub stoi na ziemi lub w budynku w taki sposób, że nie może zostać szybko rozmontowany w celu przechowania.

WAŻNE - Korzystanie z pompy przy niewłaściwym zasilaniu elektrycznym jest niebezpieczne i może prowadzić do zniszczenia pompy.

ZAGROŻENIE PORAŻENIEM PRĄDEM ELEKTRYCZNYM - W czasie pracy z urządzeniami elektrycznymi wyłączyć zasilanie elektryczne wyłącznikiem głównym i zablokować do niego dostęp. Niedopilnowanie tego może prowadzić do zwiększonego zagrożenia porażeniem prądem, zranienia lub nawet śmierci.

NIE USUWAĆ BOLCA UZIEMIENIA I NIE MODYFIKOWAĆ WTYCZKI W ŻADEN INNY SPOSÓB. NIE STOSOWAĆ ADAPTERÓW. W sprawie poprawności uziemienia gniazdka skonsultować się z uprawnionym elektrykiem.

Z pompą obchodzić się delikatnie. Nie ciągnąć i nie przenosić pompy za przewód zasilający. Nigdy nie wyciągać wtyczki z gniazdka pociągając za przewód zasilający. Upewnić się, że

przewód nie jest zapłątany. Chronić przewód przed uszkodzeniem izolacji. Należy nie dopuszczać do oddziaływania ostrych przedmiotów, oleju, części ruchomych oraz ciepła na pompę z filtrem.

OSTRZEŻENIE - Niniejsze urządzenie może być użytkowane przez dzieci od 8 roku życia oraz osoby z ograniczonymi zdolnościami fizycznymi, zmysłowymi lub psychicznymi lub z brakiem doświadczenia i wiedzy, tylko jeśli zapewniony jest im nadzór lub instrukcje dotyczące użytkowania sprzętu w sposób bezpieczny i rozumieją związane z tym zagrożenia. Dzieci nie powinny bawić się urządzeniem. Czyszczenie oraz konserwacja nie może być wykonywana przez dzieci bez nadzoru. (Dla rynku UE)

OSTRZEŻENIE - Osoby (w tym dzieci) o ograniczonej sprawności fizycznej, sensorycznej i umysłowej oraz osoby nieposiadające dostatecznej wiedzy albo wystarczającego doświadczenia mogą używać tego urządzenia tylko pod opieką lub pod warunkiem, że zostały poinstruowane, przez osobę odpowiedzialną za ich bezpieczeństwo, o bezpiecznym sposobie używania urządzenia. Dzieci powinny być nadzorowane w celu upewnienia się, że nie bawią się tym produktem.

(Dla rynku innego niż UE)

Czyszczenie i konserwacja muszą być wykonywane przez osobę dorosłą - w wieku powyżej 18 roku życia, która jest świadoma ryzyka porażenia prądem elektrycznym. W dłuższych okresach w których produkt nie jest używany, na przykład w zimie, zestaw basenowy powinien być demontowany i przechowywany wewnątrz.

UWAGA - Przed użyciem tego urządzenia zapoznaj się z instrukcją i montuj/składaj na nowo produkt przed każdym użyciem.

To urządzenie musi znajdować się w odległości większej niż 2m od basenu. (Tylko dla Francji).

Instalacje elektryczne powinny być przeprowadzane w zgodzie z krajowymi przepisami układania przewodów. W przypadku pytań skonsultuj się z wykwalifikowanym elektrykiem.

Do montażu produktu należy używać wyłącznie narzędzi załączonych lub określonych przez producenta.

Konieczne jest sprawdzenie, czy otwory zasysające nie są zamknięte.

Podczas operacji konserwacji przeprowadzanych na systemie filtrującym zaleca się zatrzymanie filtrowania.

Regularnie sprawdzaj stopień zapchania filtra.

Zaleca się cotygodniowe kontrolowanie stanu filtra w celu przeprowadzenia ewentualnego czyszczenia.

W celu zapewnienia czystej wody zaleca się jej codzienne, 8-godzinne filtrowanie.

Należy wymienić każdy zniszczony element lub zestaw elementów tak szybko jak tylko jest to możliwe. Należy używać wyłącznie części zatwierdzonych przez osobę odpowiedzialną za wprowadzenie produktu na rynek.

Wszystkie filtry i media filtracyjne powinny być regularnie kontrolowane w celu zapewnienia, że nie nagromadziły się w nich zanieczyszczenia, mogłoby to utrudniać prawidłową filtrację wody. Utylizacja jakichkolwiek zużytych mediów filtrujących powinna odbywać się w sposób zgodny z obowiązującymi regulacjami/przepisami.

W przypadku jakichkolwiek wątpliwości dotyczących pompy czy jakichkolwiek innych elementów

układu obiegu wody, skontaktuj się ze specjalistą lub producentem/importerem/dystrybutorem. Instalacja obiegu wody powinna być zgodna z Europejskimi oraz krajowymi/lokalnymi przepisami, przede wszystkim jeśli jest ona związana z elementami elektrycznymi.

Każda zmiana położenia zaworów, zmiana rozmiaru pompy czy krat, może spowodować zmianę strumienia przepływu i zwiększenie mocy ssania.

Należy przestrzegać wszystkich wymogów bezpieczeństwa i zaleceń zamieszczonych w instrukcji obsługi.

UWAGA:

Przed użyciem sprawdzić urządzenie. Jeśli w czasie zakupu stwierdzono występowanie brakujących lub uszkodzonych części prosimy o poinformowanie o tym serwisu konsumenckiego firmy Bestway na adres podany w niniejszej instrukcji. Prosimy o sprawdzenie czy wszystkie części odpowiadają typowi urządzenia, który miał być zakupiony.

UWAGA:

Ustawić pompę na twardym podłożu lub umieścić ją na płaskiej desce na równym poziomie z dnem basenu. Prosimy zwrócić uwagę na to, aby umieścić basen i pompę w taki sposób, aby możliwa była odpowiednia wentylacja, odprowadzanie wody i dostęp do czyszczenia. Nigdy nie należy umieszczać pompy w miejscu, gdzie może gromadzić się woda, lub w miejscu, przez które przechodzą osoby idące do basenu.

Po zmontowaniu basenu wtyczka powinna być dostępna.

UWAGA:

Na wydajność i trwałość pompy z filtrem mogą wpływać warunki atmosferyczne. W przypadku narażenia na działanie zimna lub ciepła oraz promieni słonecznych może nastąpić zniszczenie pompy. Kiedy to tylko możliwe należy chronić pompę przed wpływem takich warunków.

Ważne jest, aby przed zabranie pompy lub podjęciem jej konserwacji założyć na króćce wlotowe i wylotowe basenu niebieskie korki zaślepiające dostarczone przez producenta.

UWAGA:

Do pompy z filtrem nie dodawać środków chemicznych.

Nie podłączać lub odłączać urządzenia z gniazdka mokrymi rękami.

Należy zawsze odłączyć urządzenie od zasilania:

- W deszczowe dni
- Przed czyszczeniem lub innymi zabiegami konserwacyjnymi
- Produkt można pozostawić bez nadzoru na okres wakacyjny.

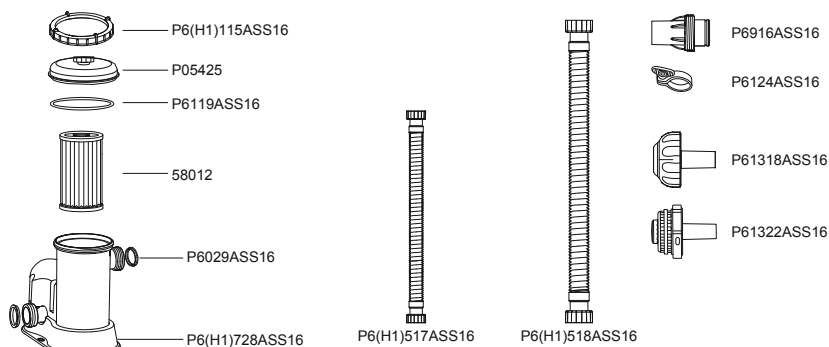
Instrukcje przechowywać w bezpiecznym miejscu. Za każdym razem przy ponownym rozkładaniu basenu, zaleca się odnosić do instrukcji obsługi.

W przypadku utraty niniejszego podręcznika, należy skontaktować się z firmą Bestway lub wyszukać go na naszej stronie internetowej: www.bestwaycorp.com

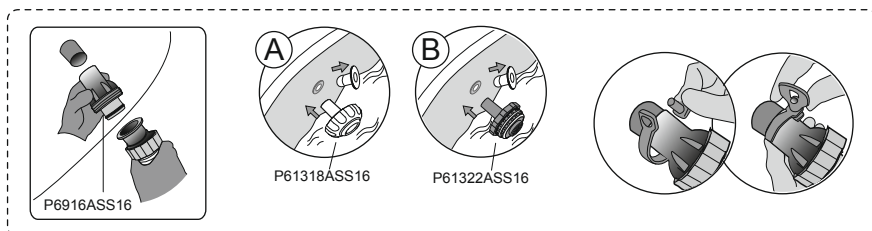
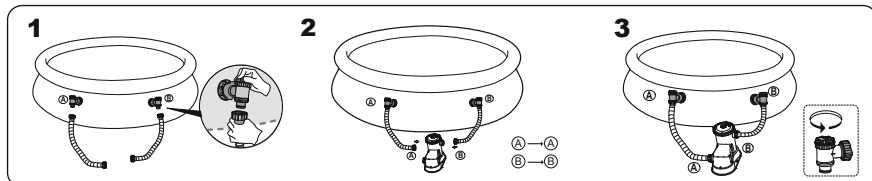
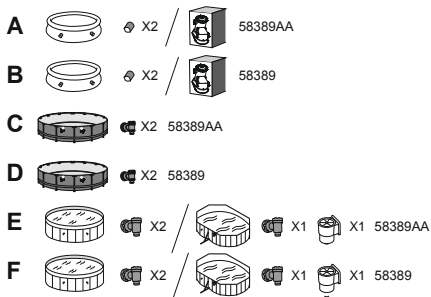
UWAGA: Ten produkt nie jest przeznaczony do używania do celów komercyjnych.

Prosimy o dokładne przeczytanie i zachowanie tej instrukcji obsługi do późniejszego wglądu.

ZACHOWAĆ INSTRUKCJĘ

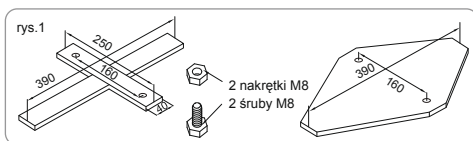


	A	B	C	D	E	F
P05425	1	1	1	1	1	1
P6(H1)115ASS16	1	1	1	1	1	1
P6119ASS16	1	1	1	1	1	1
58012	1	1	1	1	1	1
P6(H1)728ASS16	1	1	1	1	1	1
P6(H1)517ASS16	2	0	2	0	2	0
P6(H1)518ASS16	0	2	0	2	0	2
P6124ASS16	2	2	0	0	0	0
P6029ASS16	2	2	2	2	2	2
P6916ASS16	2	2	0	0	0	0
P61322ASS16	1	1	0	0	0	0
P61318ASS16	1	1	0	0	0	0



MONTAŻ COKOŁU rys.1

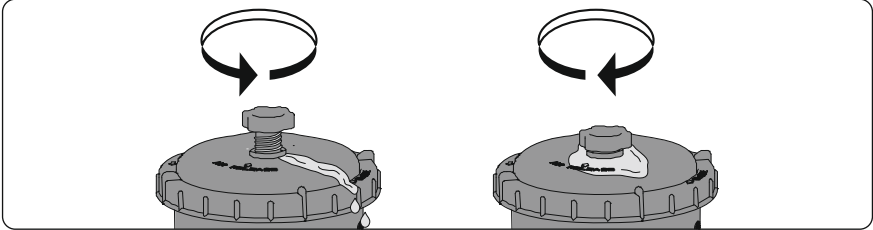
Norma EN60335-2-41 TEST wymaga, aby pompa była zamocowana pionowo na ziemi lub na podeście wykonanym z drewna lub z betonu. W podeście powinny być wykonane dwa otwory o średnicy 9 mm, oddalone od siebie o 160 mm. Umieść pompę na podeście i dokręć śruby i nakrętki mocujące. Wszystkie części podestu powinny ważyć więcej niż 18 kg, aby nie doszło do przypadkowego wywrócenia się pompy.



UWAGA: Konieczne jest sprawdzenie, że złącza hydrauliczne nie są zatkane.

FUNKCJONOWANIE

- 1) Otwórz/odkręć zawór odpowietrzający znajdujący się w górnej części pompy filtrującej; powietrze zostaje wypuszczane w miarę tego jak woda wypełnia pompę filtrującą.
- 2) Jeśli z zaworu odpowietrzającego wypływa woda, zakręć go i wytrzyj go do sucha.
- 3) W celu uruchomienia pompy filtrującej należy włożyć wtyczkę do urządzenia prądu szczytawkowego (RCD).
- 4) W celu uruchomienia pompy filtrującej, należy włożyć wtyczkę do obrotu szczytawkowego prądu przemiennego (DDR) -Tylko dla Francji.



WAŻNE: NIE WOLNO URUCHAMIAĆ POMPY NA SUCHO –
Upewnij się, przed uruchomieniem pompy, że zawory wlotowy i wylotowy basenu są w pełni przykryte wodą.

KONSERWACJA POMPY

UWAGA: PRZED PODJĘCIEM JAKICHKOLWIEK CZYNNOŚCI KONSERWACYJNYCH NALEŻY UPEWNIĆ SIĘ, ŻE POMPA ZOSTAŁA ODŁĄCZONA OD ZASILANIA. W PRZECIWNYM RAZIE ISTNIEJE POWAŻNE RYZYKO ZRANIENIA LUB ŚMIERCI.

- 1) Odłącz pompę filtrującą od zasilania.
- 2) Zatrzymaj wodę wpływającą do pompy filtrującej (patrz instrukcja obsługi basenu).
- 3) Odkręć mocowanie nakrętki filtra i usuń nakrętkę.
- 4) Wyczyść wkład filtra przy pomocy węża ogrodowego.
- 5) Włóż wyczyszczony (lub nowy) wkład filtra. Upewnij się, że znajduje się w środkowej części pompy filtrującej.
- 6) Sprawdź czy uszczelka nakrętki filtra znajduje się na swoim miejscu.
- 7) Umieść nakrętkę filtra na swoim miejscu i dokręć jej mocowanie.
- 8) Otwórz zawory A i B.
- 9) W celu przygotowania systemu do użycia postępuj zgodnie z rozdziałem Wskazówki dotyczące montażu pompy.

WAŻNE: Ze względów higienicznych zalecamy wymianę wkładu filtra na nowy co dwa tygodnie. Codziennie przepłukuj filtr.

PRZECHOWYWANIE POMPY

- 1) Odłącz pompę filtrującą od zasilania.
- 2) Zatrzymaj wodę wpływającą do pompy filtrującej i usuń wkład filtra.
- 3) Wytrzyj wkład filtra.
- 4) Odłącz wszystkie węże.
- 5) Dokładnie osusz wszystkie elementy.
- 6) Przechowuj pompę filtrującą w suchym miejscu, niedostępnym dla dzieci.
Temperatura przechowywania: 4-40°C(39,2-104F)
- 7) Wypuść wodę z basenu postępując zgodnie ze wskazówkami zawartymi w instrukcji obsługi.



Aby zapewnić czystość wody w basenie, wkładkę filtra należy czyścić codziennie, i wymienić ją w razie potrzeby.

GWARANCJA POMPKI

Informacje dotyczące gwarancji pompki znajdują się na naszej stronie: www.bestwaycorp.com

POZBYWANIE SIĘ POMPKI



Zużytych produktów elektrycznych nie należy wyrzucać razem z odpadami domowymi. Zużyty product oddaj do miejsca zajmującego się recyklingiem. Skontaktuj się z lokalnymi władzami lub sprzedawcą w celu uzyskania porady na temat recyklingu.

SZŰRŐSZIVATTYÚ HASZNÁLATI UTASÍTÁS

Látogassa meg a Bestway

YouTube-csatornáját 



FIGYELMEZTETÉS

FONTOS BIZTONSÁGI UTASÍTÁSOK

OLVASSA EL ÉS KÖVESSE AZ ÖSSZES UTASÍTÁST

FIGYELMEZTETÉS - ÁRAMÜTÉS VESZÉLYE - A szivattyút

szigetelőtranszformátorról vagy maradékáram-működtetésű megszakítóval (RCD) rendelkező hálózati áramellátásról kell működtetni, a névleges üzemi maradékáram pedig nem haladhatja meg a 30 mA-t.

A szivattyú csatlakozóját legalább 3,50m-re kell elhelyezni a medencétől.

A készüléket földelt áramforrásra kell csatlakoztatni.

Hosszabbítókábelek nem használhatók.

FIGYELMEZTETÉS - ÁRAMÜTÉS VESZÉLY - A szivattyú nem használható, ha a medencében emberek tartózkodnak.

NE ÁSSA EL A VEZETÉKET. Helyezze úgy a vezetéket, hogy a fűnyíró gép, bokorvágó és más felszerelések által okozott sérülésveszély csökkenjen.

FIGYELMEZTETÉS - A tápkábel nem cserélhető ki. Ha a kábel megsérül, a készüléket ki kell dobni.

INTÉS - Ez a szivattyú kizárólag tárolható medencékhez használható. Ne használja véglegesen felszerelt medencékhez. Egy tárolható medence felépítése lehetővé teszi ennek szétszedését majd ismételt összeszerelését eredeti állapotába. Egy véglegesen felszerelt medence a földbe vagy a talajra van felállítva, a szabadban vagy egy épületben, és nem szedhető szét.

FONTOS - A szivattyú használata nem megfelelő áramellátással veszélyes és a szivattyú végleges károsodását okozza.

ÁRAMÜTÉS VESZÉLYE - Amikor árammal dolgozik, kapcsolja ki az áramellátást a megszakítótól, és zárja le a megszakító ajtaját. Ellenkező esetben megnövekszik az áramütés, sérülés és halálos balesetek veszélye.

NE TÁVOLÍTSA EL A FÖLDELÉSI VILLÁT ÉS NE MÓDOSÍTSA SEMMIKÉPP A DUGASZT. NE HASZNÁLJON ADAPTER DUGASZOKAT. Bármilyen kérdéssel a dugasz földelésére vonatkozóan, forduljon egy villamossági szakemberhez. Bánjon óvatosan a szivattyúval. Ne húzza vagy emelje fel a szivattyút a tápkábeltől fogva. Soha ne húzza ki a dugaszt a konnektorból a kábeltől fogva. Óvja a kábelt a súrlódástól, Éles tárgyak, olaj, mozgó részek és kő nem szabad a szivattyút érjék.

FIGYELMEZTETÉS - Ez a készülék 8 éves kortól használható, illetve a fizikailag, érzékszervileg vagy szellemileg korlátozott, továbbá a kellő tapasztalattal vagy tudással nem rendelkező személyek a készüléket csak felügyelet mellett, vagy a készülék biztonságos használatával kapcsolatos ismeretek megszerzését és a járulékos veszélyek megértését követően használhatják. A gyermekek nem játszhatnak a készülékkel. A tisztítást és felhasználó által végzendő karbantartást gyermekek csak felügyelettel végezhetik. (EU-s piacra szánt termék esetén)

FIGYELMEZTETÉS - Ez a készülék nem használható fizikailag, érzékszervileg vagy szellemileg korlátozott, továbbá a kellő tapasztalattal vagy tudással nem rendelkező személyek (és gyermekek) által, kivéve felügyelet mellett, vagy ha készülék biztonságos használatával kapcsolatosan útmutatást kaptak egy a biztonságukért felelős személytől. A gyerekeket felügyelni kell, hogy ne hogy játszanak a készülékkel. (EU-n kívüli piacra szánt termék esetén)

A tisztítást és felhasználói karbantartást csak 18 évet betöltött, az elektromos áramütés veszélyeivel tisztában lévő felnőttek végezhetik. Ha a készüléket előre láthatólag hosszabb ideig nem fogja használni (pl. télen), a medencekészletet szét kell szerelni, és beltérben kell tárolni.

VIGYÁZAT! A készülék használata, illetve (újra)összeszerelése előtt, kérjük, minden alkalommal olvassa el az útmutatót.

A készüléket legalább 2 m-re kell elhelyezni a medencétől. (Csak Franciaország). Az elektromos rendszereknek meg kell felelniük a huzalozásra vonatkozó országos követelményeknek. Ha kérdése van, forduljon egy képzett villanyszerelőhöz.

A termék telepítéséhez csak a gyártó által szállított vagy meghatározott anyagok használhatók.

Alapvető fontosságú, hogy meggyőződjön arról, hogy a szívókimenetek nincsenek akadályozva.

A szűrőrendszeren végzendő karbantartási műveletek idejére tanácsos leállítani a szűrést.

Rendszeresen ellenőrizze, hogy a szűrő nem tömődött-e el.

Javasolt hetente ellenőrizni, hogy nincs-e szükség tisztításra.

A medencevíz tisztaságának biztosításához minimum napi 8 órás szűrési üzemidő szükséges.

Létfontosságú, hogy a sérült alkatrészeket vagy alkatrészcsoportokat a lehető leghamarabb kicserélje. Csak a termék forgalmazásáért felelős személy által jóváhagyott részegységeket használjon.

Minden szűrőt és szűrőanyagot rendszeresen ellenőrizni kell, hogy nem gyűlt-e benne össze a jó szűrési teljesítményt megakadályozó üledék. Az esetlegesen már használt szűrőközeg ártalmatlanításának szintén meg kell felelnie a vonatkozó jogszabályoknak.

Amennyiben a szivattyúval, illetve bármely keringtetésért felelős eszközzel

kapcsolatban kétsége merülne fel, forduljon képesített telepítőhöz, illetve a gyártóhoz/importőrhez/forgalmazóhoz.

A vízkeringtetési rendszernek meg kell felelnie az uniós és a nemzeti, illetve helyi jogszabályoknak – különösen az elektromosság vonatkozásában.

A szelephelyzet, szivattyúméret, rácsméret módosítása hatással lehet az áramlásra, ezáltal a szívási sebesség megnövelhető.

Vegye figyelembe az útmutatóban foglalt összes biztonsági előírást és javaslatot.

MEGJEGYZÉS:

Használat előtt ellenőrizze a felszerelést. Bármilyen sérült vagy hiányzó alkatrész esetén értesítse a Bestway társaság ügyfélszolgálati részlegét az alábbi címek egyikén.

Bizonyosodjon meg, hogy az alkatrészek az Ön által rendelt modell részei.

MEGJEGYZÉS:

Helyezze a szivattyút szolid alapra vagy egy egyenes lemezre. Úgy helyezze el a medencét és a szivattyút, hogy megfelelő legyen a szellőzése, vízelvezetése, és a hozzáférhetősége tisztításkor. Ne helyezze a szivattyút olyan helyre ahol víz gyűlhet össze, vagy ahol járkálás van a medence körül.

Fontos a dugasz hozzáférhetősége a medence felszerelése után.

MEGJEGYZÉS:

Az időjárás befolyásolhatja a szivattyú működését és élettartamát. A hideg, a meleg valamint a napsütés felesleges elhasználódást és kopást okoznak. Amikor lehetősége van rá, óvja a szivattyút ezektől a körülményektől.

Karbantartás vagy javítás előtt fontos kicserélni a szitákat a gyár által szolgáltatott két dugaszokkal a kimeneti és bemeneti portokon.

MEGJEGYZÉS:

Ne tegyen vegyszereket a szűrőkosaras szivattyúba.

Ne dugja be és ne húzza ki a készülék dugalját nedves kézzel.

Mindig válassza le a készüléket az áramellátásról:

- Esős időben
- Tisztítás vagy más karbantartás esetén
- Hagyja felügyelet nélkül szünnapokon

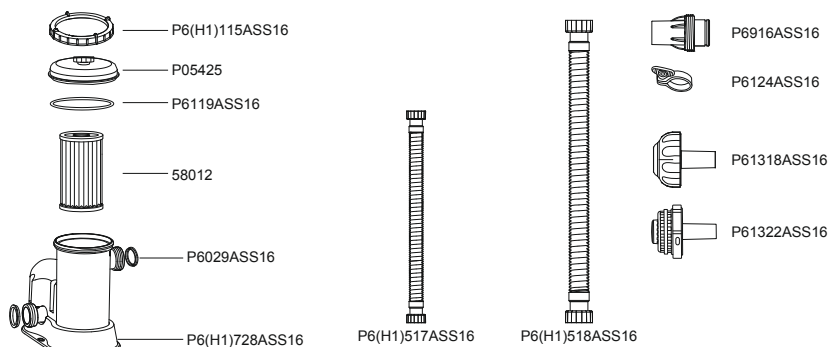
Az utasítások betartása. A medencekészletet összeszerelését minden alkalommal az utasítások szerint végezze.

Az utasítások elvesztése esetén, kérjük, vegye fel a kapcsolatot a Bestway vállalattal, vagy keresse meg a következő weboldalon: www.bestwaycorp.com

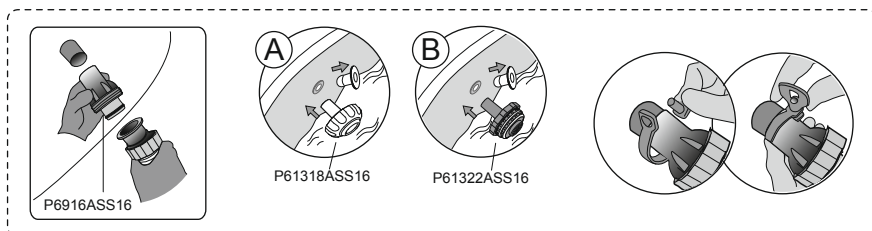
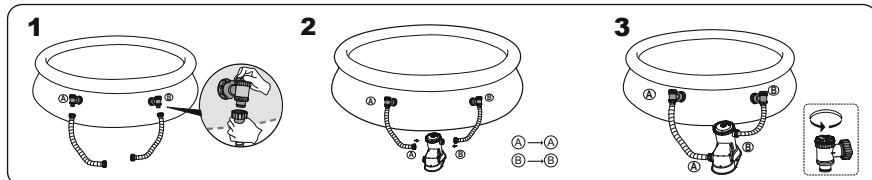
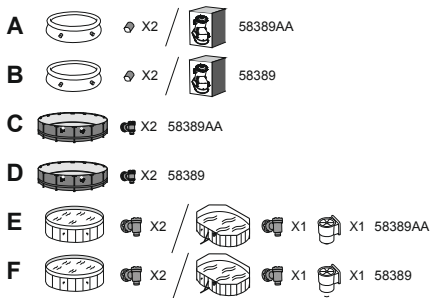
FIGYELEM: A termék nem kereskedelmi célú felhasználásra készült.

Alaposan olvassa el, és tegye félre az útmutatót, hogy a jövőben bármikor belenézhesen.

ŐRIZZE MEG EZEKET AZ UTASÍTÁSOKAT.

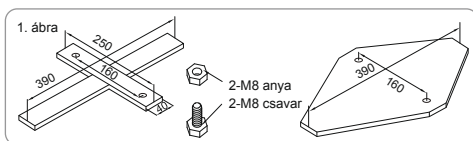


	A	B	C	D	E	F
P05425	1	1	1	1	1	1
P6(H1)115ASS16	1	1	1	1	1	1
P6119ASS16	1	1	1	1	1	1
58012	1	1	1	1	1	1
P6(H1)728ASS16	1	1	1	1	1	1
P6(H1)517ASS16	2	0	2	0	2	0
P6(H1)518ASS16	0	2	0	2	0	2
P6124ASS16	2	2	0	0	0	0
P6029ASS16	2	2	2	2	2	2
P6916ASS16	2	2	0	0	0	0
P61322ASS16	1	1	0	0	0	0
P61318ASS16	1	1	0	0	0	0



TALAPZAT RÖGZÍTÉSE (1. ábra)

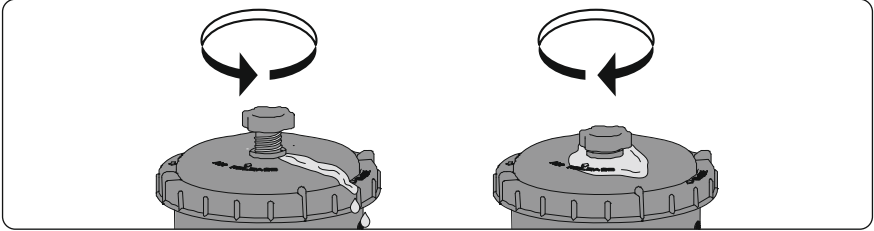
Az EN60335-2-41 TEST szabvány előírása szerint a szűrőkosaras szivattyút függetlenül kell rögzíteni a talajon vagy fából és betonból előzetesen készített állványon. Az állványon két 9 mm átmérőjű lukat kell fúrni egymástól 160 mm távolságra. Állítsa a szűrőszivattyút az állványra, és a csavarokkal és anyákkal rögzítse őket egymáshoz. Az állványoknak legalább 18 kg súlyúnak kell lennie, hogy a szivattyú fel ne boruljon.



MEGJEGYZÉS: Fontos ellenőrizni, hogy a hidraulikus csatlakozók nincsenek-e eltömődve.

HASZNÁLAT

- 1) Nyissa ki/csavarozza ki a szűrőszivattyú tetején található levegőkifúvó-szelepet – levegő fog távozni, a szűrőszivattyú vízzel való töltődése közben levegő fog távozni a szelepen keresztül.
- 2) Ha a levegőkifúvó-szivattyún keresztül víz távozik, forgassa zárt helyzetbe, és törölje le az esetlegesen kifolyt vizet.
- 3) A szűrőszivattyú elindításához dugja be a csatlakozót egy maradékáram-működtetésű megszakítóba (RCD).
- 4) A szűrőszivattyú indításához dugja be a csatlakozót egy többféle maradékáram-működtetésű megszakító (DDR) tartalmazó áramkörbe (csak Franciaország).



FONTOS: NE JÁRASSA SZÁRAZON A SZŰRŐSZIVATTYÚT –
A szűrőszivattyú bekapcsolása előtt feltétlenül győződjön meg róla, hogy a medence befolyó és kifolyó szelepeit a víz teljesen ellepi-e.

A SZIVATTYÚ KARBANTARTÁSA

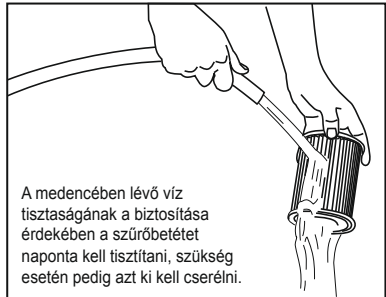
**INTÉS: MIELŐTT ELKEZDI A KARBANTARTÁST
BIZONYOSODJON MEG, HOGY A SZŰRŐKOSARAS SZIVATTYÚ
KI VAN HÚZVA A KONNEKTORBÓL, ELLENKEZŐ ESETBEN
SÚLYOS SÉRÜLÉS VAGY HALÁLESET KÖVETKEZHET BE.**

- 1) Válassza le a szűrőszivattyút.
- 2) Állítsa le a szűrőszivattyúba folyó vizet, (lásd a medence használati utasítását).
- 3) A szűrősapkatarató lecsavarásával távolítsa el a szűrősapkát.
- 4) Kerti slaggal tisztítsa meg a szűrőkazettát.
- 5) Helyezze be a megtisztított (vagy új) szűrőkazettát, és ellenőrizze, hogy az a szűrőszivattyú közepén helyezkedik-e el.
- 6) Ellenőrizze, hogy a szűrősapka tömítése a helyén van-e.
- 7) Tegye vissza a szűrősapkát, majd csavarozza a helyére a szűrősapkataratót.
- 8) Nyissa meg az „A” és „B” szelepeket.
- 9) A rendszer használatra való előkészítéséhez kövesse a szivattyú telepítési útmutatóban foglaltakat.

FONTOS: Egészségügyi okokból azt javasoljuk, hogy kéthetente cserélje le a szűrőkazettát egy újra. Naponta öblítse át a szűrőt.

SZIVATTYÚ TÁROLÁSA

- 1) Válassza le a szűrőszivattyút.
- 2) Zárja el a szűrőszivattyúba folyó vizet, és távolítsa el a szűrőbetétet.
- 3) Selejtezze le a szűrőbetétet.
- 4) Válassza le az összes tömlőt.
- 5) Alaposan szárítsa meg az összes tartozékot.
- 6) Tárolja a szűrőszivattyút száraz, gyermektől távol eső helyen. Tárolási hőmérséklet: 4 – 40°C (39,2 – 104 F)
- 7) A medence leeresztését a medence használati útmutatója szerint végezze.



A medencében lévő víz tisztaságának a biztosítása érdekében a szűrőbetétet naponta kell tisztítani, szükség esetén pedig azt ki kell cserélni.

A SZIVATTYÚ GARANCIÁJA

A szivattyú garanciájára vonatkozó információkat illetően látogassa meg weboldalunkat: www.bestwaycorp.com

A SZIVATTYÚ ÁRTALMATLANÍTÁSA



A kiselejtezett elektromos termékek nem képezhetik a háztartási hulladék részét. Éljen az újrahaznosítás lehetőségével, ha elérhetőek a megfelelő létesítmények. Az újrahaznosításra vonatkozó tanácsok tekintetében tájékozódjon az önkormányzatnál vagy a forgalmazónál.

FILTERPUMP ÄGARMANUAL

Besök Bestway YouTube kanal



VARNING

VIKTIGA SÄKERHETSANVISNINGAR

LÄS OCH FÖLJ ALLA ANVISNINGAR

VARNING- RISK FÖR ELEKTRISK STÖT – Pumpen får sin strömförsörjning av en isolerad transformator eller genom en jordfelsbrytare (RCD) som har en fastställd tillslagsström som inte överskrider 30 mA.

Pumpens stickkontakt måste befinna sig minst 3,5 m ifrån poolen.

Apparaten måste förses med ström från en jordad strömkälla.

Förlängningssladdar kan inte användas.

VARNING- RISK FÖR ELEKTRISK STÖT – Pumpen kan inte användas medan det finns människor i poolen.

BRÄNN INTE KABELN. Placera kabeln så att den inte utsätts för gräsklippare, häcktrimmers och annan utrusning.

VARNING - Strömsladden kan inte ersättas. Om sladden är skadad apparaten bör skrotas.

FÖRSIKTIGT- Denna pump ska endast användas för pooler som kan förvaras.

Använd den inte för permanent installerade poolar. En pool som kan förvaras

är konstruerad så att den kan demonteras lätt för förvaring och sedan

återmonteras för användning. En permanent installerad pool är konstruerad på

eller i marken eller i en byggnad där den inte lätt kan demonteras för förvaring.

VIKTIGT- Om du använder pumpen med ett felaktigt strömförsörjningssystem kan detta vara farligt och leda till en farlig felfunktion hos pumpen.

RISK FÖR ELEKTRISK STÖT – Då du arbetar med elektricitet, ska du stänga av strömmen vid med strömbrytaren och med dörrens låsströmbrytare.

Annars ökar risken för elektrisk stöt, skada och till och med livsfara.

TA INTE BORT JORDNINGSTIFTET ELLER MODIFIERA KONTAKTEN PÅ NÅGOT SÄTT. ANVÄND INTE ADAPTERKONTAKTER. Konsultera en kvalificerad elektriker för eventuella frågor i samband med jordningen av dina kontakter.

Hantera pumpen försiktigt. Dra eller bär inte pumpen genom att hålla i

strömkabeln. Dra aldrig ut en kontakt ur uttaget genom att rycka i kabeln. Skydda kabeln mot avskavningar. Utsätt aldrig filterpumpen för vassa föremål, olja, rörliga delar eller värme.

WARNING- Denna apparat kan användas av barn från 8 års ålder och personer med nedsatt fysisk, sensorisk eller mental kapacitet eller brist på erfarenhet och kunskap om de är under uppsyn eller har instruerats gällande apparatens sacra användande och förstår farorna i samband med användandet. Barn bör inte leka med apparaten. Rengöring och underhåll skall inte göras av barn utan tillsyn. (För EU)

WARNING- Denna apparat är ej avsedd att användas av personer (däribland barn), med begränsad fysisk, mental eller sensoriskt förmåga, eller bristande erfarenhet och kunskap, om inte denne har under uppsyn och instruktion om apparatens användning av en person som är ansvarig för dennes säkerhet. Barn bör hållas under uppsyn så de ej leker med apparaten. (För länder utanför EU)

Rengöring och underhåll måste utföras av en vuxen, 18 år eller äldre, som är bekant med farorna med elektriska stötar. När apparaten ej används under en längre tid, såsom under vintern, ska poolsatsen demonteras och förvaras inomhus.

WARNING! Läs instruktionerna innan apparaten tas i bruk och före varje installation/montering.

Apparaten måste placeras minst 2 m från poolen. (Endast för Frankrike).

Elektriska installationer måste stämma överens med lokala regelverk.

Kontrollera med en kvalificerad elektriker om du har några frågor.

Enbart de delar som följer med eller som anges av tillverkaren skall användas vid installation.

Det är mycket viktigt att kontrollera att de sugöppningarna inte är blockerade.

Det rekommenderas att stoppa filtreringen när underhåll utförs på filtreringssystemet.

Övervaka regelbundet filtrets tilltäppningsnivå.

Kontroll för ev. rengöring rekommenderas en gång i veckan.

Det rekommenderas att köra filtrering minst i 8 timmar per dag för att garantera klart poolvatten.

Det är viktigt att byta ut skadade delar så snart som möjligt. Använd enbart godkända reservdelar från den som är ansvarig för marknadsföringen.

Alla filter och filterdelar ska kontrolleras regelbundet för att säkerställa att det inte blir smutsansamlingar som hindrar en god filtrering. Filter och filterdelar kasserasi enlighet med lokala föreskrifter/lagstiftning.

Vid frågor kring pumpen eller cirkulationsenheter, kontakta installatören, eller tillverkare/importör/distributör.

Installation av vattencirkulation skall överensstämma med EU-regler samt nationella/lokala regelverk, särskilt när det kommer till elinstallationer.

Alla ev. ändringar av ventilers placering, pumpstorlek, gallerstorlek kan orsaka förändringar i flödet och sughastigheten kan öka.

Ta alla säkerhetsföreskrifter och rekommendationer som beskrivs i manualen i beaktande.

OBS:

Undersök utrustningen före användning. Informera Bestway på kundserviceadressen som anges i bruksanvisningen om eventuella fabrikationsfel eller delar som saknades vid inköpstillfället. Kontrollera att utrustningens beståndsdelar motsvarar filterpumpsmodellen du önskade köpa.

OBS:

Placera pumpen på ett stadigt och jämnt underlag. Var noga med poolens och pumpens placering så att en lämplig ventilation, tömning och åtkomst för rengöring finns tillgänglig. Placera aldrig pumpen i ett område där den kan samla vatten eller i ett område där man hela tiden går runt poolen. Kontakten ska vara tillgänglig efter poolens installation.

OBS:

Väderförhållanden kan påverka din filterpumps prestanda och livslängd. Var noga med att skydda filterpumpen mot onödigt slitage som kan ske under perioder av kyla, värme och då den är utsatt för sol.

OBS:

Tillsätt aldrig kemikalier i filterpumpen i ett område där poolen är åtkomlig för rengöring.

Koppla inte i eller ur apparaten med våta händer.

Koppla alltid ur apparaten:

- På regniga dagar
- Innan rengöring eller annat underhåll
- Lämna den obebaktad under semestern

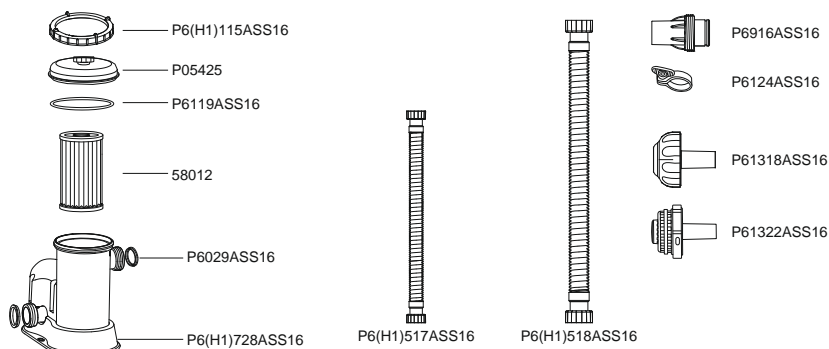
Säker förvaring av instruktionerna. För återuppbyggnad av poolsetet, vänligen kontrollera instruktionerna varje gång.

Om du saknar instruktionerna, vänligen kontakta Bestway eller leta upp den på hemsidan: www.bestwaycorp.com

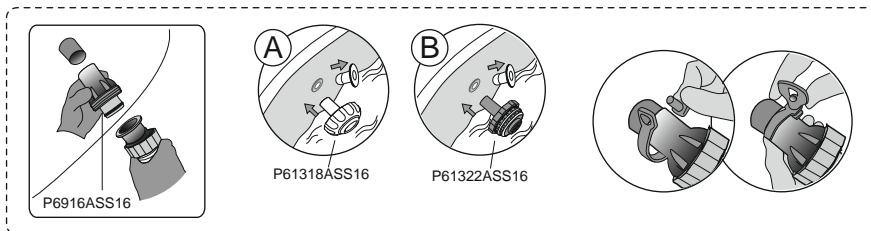
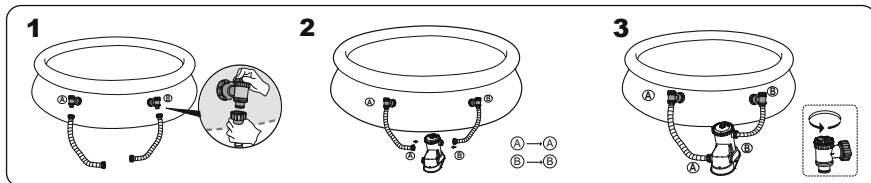
OBS: Produkten är inte avsedd för kommersiellt bruk.

Läs instruktionsmanualen noga och spara den för framtida bruk.

SPARA DESSA ANVISNINGAR.

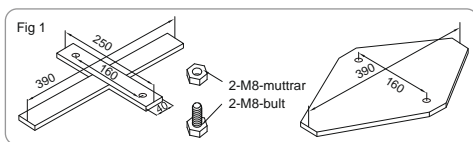


	A	B	C	D	E	F
P05425	1	1	1	1	1	1
P6(H1)115ASS16	1	1	1	1	1	1
P6119ASS16	1	1	1	1	1	1
58012	1	1	1	1	1	1
P6(H1)728ASS16	1	1	1	1	1	1
P6(H1)517ASS16	2	0	2	0	2	0
P6(H1)518ASS16	0	2	0	2	0	2
P6124ASS16	2	2	0	0	0	0
P6029ASS16	2	2	2	2	2	2
P6916ASS16	2	2	0	0	0	0
P61322ASS16	1	1	0	0	0	0
P61318ASS16	1	1	0	0	0	0



PIEDESTALFÄSTE Fig 1

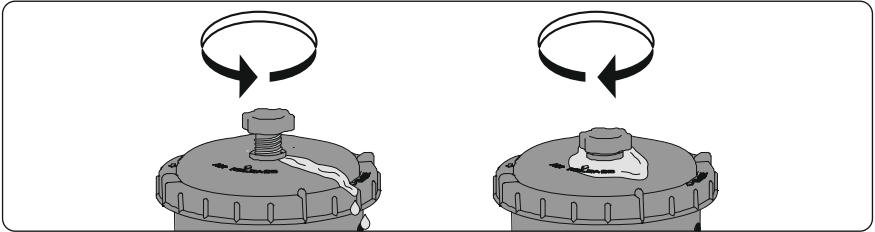
EN60335-2-41 TEST-standarden kräver att filterpumpen är vertikalt installerad på marken eller på en bas av trä eller betong. Det ska finnas två hål med en diameter på 9mm på basen och avståndet mellan hålen ska vara 160mm. Sätt filterpumpen på basen och sätt ihop dem med fästbultar och muttrar. Alla basens delar ska väga över 18kg minst för att pumpen inte ska falla ned.



OBS: Det är mycket viktigt att kontrollera att de hydrauliska kopplingarna inte är blockerade.

ANVÄNDNING

- 1) Öppna/skruva loss luftdräneringsventilen högst upp på filterpumpen så att luft släpps ut då vatten fyller filterpumpen.
- 2) När vatten kommer ut ur luftdräneringsventilen, skruva den så att den stänger och torka bort allt vatten.
- 3) För att starta filterpumpen, sätt i kontakten med en jordfelsbrytare (RCD).
- 4) För att starta filterpumpen sätt i kontakten i en krets för alternativt a energikällor (DDR) Enbart för Frankrike.



VIKTIGT: KÖR INTE FILTERPUMPEN UTAN VATTEN – Se till att poolens intags- och utsläppsventiler är helt täckta av vatten innan du sätter igång filterpumpen.

UNDERHÅLL AV PUMPEN

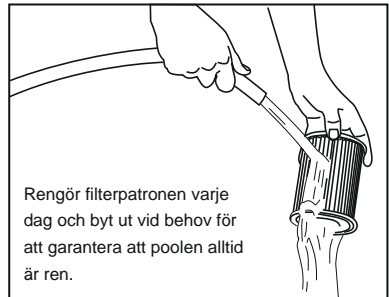
FÖRSIKTIGT: DU MÅSTE SE TILL ATT FILTERPUMPEN ÄR FRÅNKOPPLAD FRÅN STRÖMMEN INNAN DU UTFÖR UNDERHÅLLET, ANNARS KAN ALLVARLIGA ELLER LIVSHOTANDE SKADOR UPPSTÅ.

- 1) Koppla ur filterpumpen.
- 2) Stoppa vattenflödet till filterpumpen, se poolens manual.
- 3) Skruva loss filterlockshällaren och ta av filterlocket.
- 4) Rengör filterpatronen med en trädgårdsslang.
- 5) Sätt in den rengjorda (eller nya) filterpatronen, se till att den ligger i mitten av filterpumpen.
- 6) Kontrollera att filterlockspackningen är på plats.
- 7) Sätt på filterlocket och skruva åt filterlockshällaren på sin plats.
- 8) Öppna ventil A och B.
- 9) Följ anvisningarna i avsnittet ANVISNINGAR FÖR PUMPIINSTALLATION för att förbereda systemet för användning.

VIKTIGT: Av hygienskäl föreslår vi att filterpatronen byts ut mot en ny varannan vecka. Spola igenom filtret dagligen.

FÖRVARA PUMPEN

- 1) Koppla ur filterpumpen.
- 2) Stoppa vattenflödet till filterpumpen och avlägsna filterpatronen.
- 3) Kassera filterpatronen.
- 4) Koppla loss alla slangar.
- 5) Torka alla komponenter ordentligt.
- 6) Förvara filterpumpen torrt utom räckhåll för barn. Förvaringstemperatur: 4-40°C (39,2-104 F)
- 7) Töm poolen enligt bruksanvisningen.



Rengör filterpatronen varje dag och byt ut vid behov för att garantera att poolen alltid är ren.

PUMPENS GARANTI

För information om pumpens garanti, besök vår webbplats på adress: www.bestwaycorp.com

KASTA BORT PUMPEN



Elektroniska produkter ska inte kastas tillsammans med hushållsavfall. Lämnas in till en återvinningscentral. Kontrollera med din lokala myndighet eller återförsäljare angående återvinning.



For support please visit us at:
bestwaycorp.com/support

©2021 Bestway Inflatables & Material Corp.

All rights reserved/Tous droits réservés/Todos los derechos reservados/Alle Rechte vorbehalten/Tutti i diritti riservati

Trademarks used in some countries under license from/

Marques utilisées dans certains pays sous la licence de/

Marcas comerciales utilizadas en algunos países bajo la licencia de/

Die Warenzeichen werden in einigen Ländern verwendet unter Lizenz der/

Marchi utilizzati in alcuni paesi concessi in licenza a

Bestway Inflatables & Material Corp., Shanghai, China

Manufactured, distributed and represented in the European Union by/

Fabriqués, distribués et représentés dans l'Union Européenne par/Fabricado, distribuido y representado en la Unión Europea por/

Hergestellt, vertrieben und in der Europäischen Union vertreten von/Prodotto, distribuito e rappresentato nell'Unione Europea da

Bestway (Europe) S.r.l., Via Resistenza, 5, 20098 San Giuliano Milanese (Milano), Italy

Distributed in North America by/Distribués en Amérique du Nord par/Distribuido en Norteamérica por

Bestway (USA) Inc., 3411 E. Harbour Drive, Phoenix, Arizona 85034, United States of America

Tel: +86 21 69135588 (For U.S. and Canada)

Distributed in Latin America by/Distribué en Amérique latine par/Distribuido en Latinoamérica por/Distribuido na América Latina por

Bestway Central & South America Ltda, Salar Ascotan 1282, Parque Enea, Pudahuel, Santiago, Chile

Distributed in Australia & New Zealand by **Bestway Australia Pty Ltd, Unit 2/98-104 Carnarvon St Silverwater, NSW 2128, Australia**

Tel: Australia: (+61) 29 0371 388; New Zealand: 0800 142 101

Distributed in United Kingdom by **Bestway Corp UK Ltd, 8 Wentworth Road, Heathfield Industrial Estate, Newton Abbot, Devon, TQ12 6TL**

Exported by/Exporté par/Exportado por/Exportiert von/Esportato da

Bestway (Hong Kong) International Ltd./Bestway Enterprise Company Limited

Suite 713, 7/Floor, East Wing, Tsim Sha Tsui Centre, 66 Mody Road, Kowloon, Hong Kong

www.bestwaycorp.com