



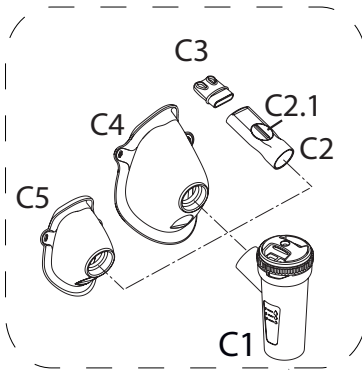
Medical Devices

NebulFlaem^{4.0}

— 50 —
years of italian excellence

- EN > INSTRUCTIONS FOR USE MANUAL
- DE > BEDIENUNGSANLEITUNG
- FR > MODE D'EMPLOI
- NL > GEBRUIKSAANWIJZING
- ES > MANUAL DE INSTRUCCIONES
- EL > ΕΓΧΕΙΡΙΔΙΟ ΟΔΗΓΙΩΝ ΧΡΗΣΗΣ
- PL > INSTRUKCJA OBSŁUGI

< AR كتيب الإستخدام



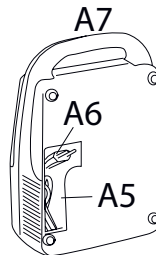
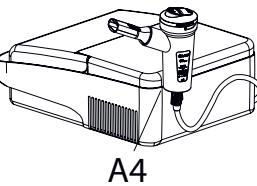
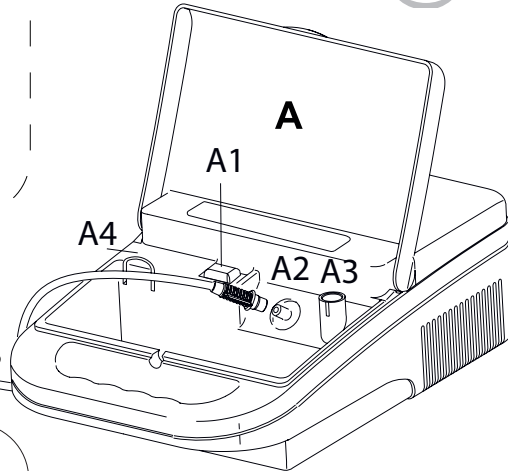
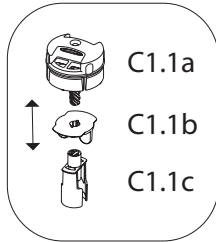
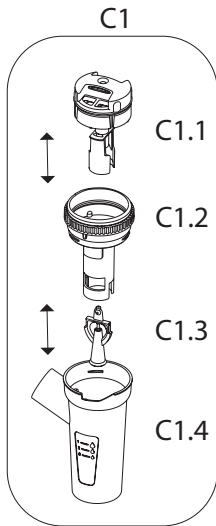
C



C1

C6

C1.1



Connection diagram - Anschlusschema - Schéma de montage - Verbindungsschema - Esquema de conexión
- Διάγραμμα συναρμολόγησης - Schemat połączeń dla nomenklatury - جدول التوصيلات

ENGLISH
Pg. 1

DEUTSCH
Pag. 9

FRANÇAIS
Pag. 17

NEDERLANDS
Pag. 25

ESPAÑOL
Pág. 33

ΕΛΛΗΝΙΚΑ
Σελ. 41

POLSKI
Pag. 49

العربية
Pg. 57



NebulFlaem^{4.0}

Mod. CONDOR F2000

AEROSOL THERAPY DEVICE

We are pleased you have purchased our product and we thank you for your trust in us. We aim at fully satisfying our customers by offering them state-of-the-art products for the treatment of respiratory diseases.

Read these instructions carefully and retain them for future reference. Only use the accessory as described in this manual. This is a home medical device to nebulise and administer medication prescribed or recommended by your doctor upon assessing the patient's general conditions. Please note that the full range of Flaem products is visible on the website www.flaem.it.

ENGLISH

STANDARD EQUIPMENT INCLUDES:

A - Aerosol apparatus (main unit)

- A1 - On/Off switch
- A2 - Air intake
- A3 - Air filter
- A4 - Nebulizer holder
- A5 - Handle for transport
- A6 - Cable storage compartment
- A7 - Power cable

B - Connection tube (main unit / nebulizer)

C - Accessories

- C1 - RF9 Nebulizer
 - C1.1 - Complete particle size regulator
 - C1.1a - Regulator
 - C1.1b - Valve
 - C1.1c - Selector
 - C1.2 - Upper part
 - C1.3 - Nozzle
 - C1.4 - Lower part
- C2 - Mouthpiece with valve
 - C2.1 - Exhalation valve
- C3 - Non-invasive nosepiece
- C4 - Adult SoftTouch mask
- C5 - Paediatric SoftTouch mask
- C6 - Nebulization manual control

IMPORTANT WARNINGS

- This device is also intended for direct use by the patient.
- Before using the product for the first time, and periodically during its lifetime, check the integrity of the device structure and of the power cable to make sure there is no damage. In the event of damage, do not plug in the cable and immediately take the product to an authorised FLAEM service centre or to your trusted dealer.
- Should your device fail to provide the expected performance, contact the authorised service centre for clarifications.
- The expected medical life of the accessories is 1 year. It is, however, advisable to replace the nebulizer cup every 6 months in the event of intense use (or earlier if the cup is obstructed) to always guarantee maximum therapeutic efficacy.
- Children and people who are not self-sufficient must use the device under the close supervision of an adult who has read this manual.
- Some parts of the device are small enough to be swallowed by children; therefore, keep the device out of the reach of children.
- Do not use the supplied tubing and cables for anything other than their intended use. These parts could cause a strangling hazard: pay close attention to children and persons with particular difficulties as they are often unable to accurately evaluate danger.
- The apparatus is unsuitable for use in presence of flammable anaesthetic mixture with air, oxygen or nitrous oxide.
- Always keep the power supply cable away from hot surfaces.
- Keep the power cable away from animals (for example, rodents) which could damage the insulation.
- Do not handle the device with wet hands. Do not use the device in damp environments (for example, while taking a bath or shower). Do not immerse the device in water; in the event of immersion immediately disconnect the plug. Do not remove or touch the immersed device; unplug the power cable first. Immediately bring the device to an authorised FLAEM service centre or to your trusted dealer.
- Use the device only in dust-free conditions, otherwise treatment could be compromised.
- Do not wash the device under running water or by immersion and keep it safe from being sprayed by water or other liquids.
- Do not expose the device to particularly extreme temperatures.
- Do not place the device near sources of heat, in direct sunlight or in excessively hot rooms.
- Do not obstruct or put objects into the filter or its related housing in the device.
- Never obstruct the air vents located on both sides of the device.
- Always use it on a rigid surface that is clear of obstacles.
- Make sure there is no material obstructing the air vents before each use.

- Do not put any objects in the air vents.
- Repairs, including the replacement of the supply cord, are to be carried out by FLAEM authorised personnel only, by complying with the information provided by the manufacturer.
- The average expected duration for the compressor series are: F400: 400 hours, F700: 700 hours, F1000: 1000 hours, F2000: 2000 hours.
- WARNING: Do not modify this device without authorisation from the manufacturer.
- The Manufacturer, the Vendor and the Importer shall be held responsible for safety, reliability and performance only if: a) the device is used in compliance with the instructions for use b) the wiring where the device is being used is in compliance with safety regulations and current laws.
- Interactions: the materials used in contact with medication have been tested with a vast range of medications. However, in view of the variety and continuous evolution of pharmaceuticals, interactions cannot be ruled out. We recommend using the medication as soon as possible once it has been opened and preventing prolonged exposure in the nebulizer cup.
- The manufacturer must be contacted about any problems and/or unexpected events concerning operation and for any clarifications on use, maintenance/cleaning.
- Interactions: The materials used in the medical device are biocompatible in accordance with the provisions of Directive 93/42 EC and subsequent amendments. However, the possibility of occurrence of allergic reactions cannot be entirely excluded.
- The amount of time required between preservation conditions and use is approximately 2 hours.

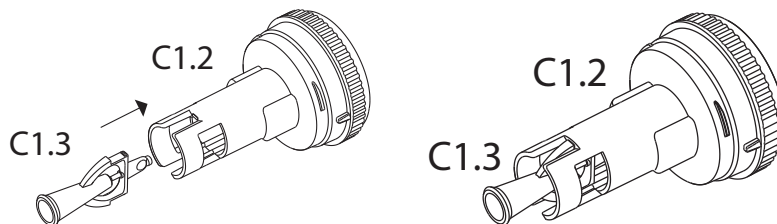
Benefits of BioCote protection

The enclosure of NebulFlaem 4.0 are made of ABS mixed with antimicrobial additive BioCote®, which makes the surfaces protected 24 hours a day and permanently provides antibacterial, antifungal and antiviral properties. Store accessories in a more secure environment.

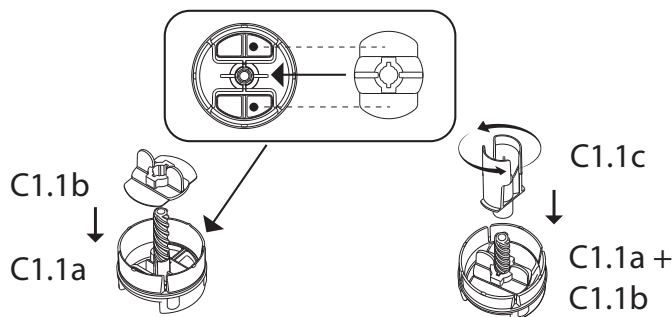
ASSEMBLING THE NEBULISER

Follow the assembly instructions below.

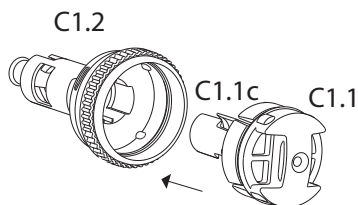
1. Assemble the nozzle (C1.3) on the upper part (C1.2).



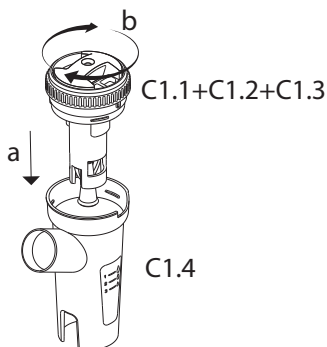
2. Place the valve (C1.1b) with the flat side down onto the particle size regulator (C1.1a) by aligning the hole with the position ribs, then screw the selector (C1.1c) onto the threaded pin of the regulator all the way down. Rotate the assembled regulator to make sure that it turns freely and that the selector moves up and down between positions.



3. Insert and press the previously assembled particle size regulator (C1.1) all the way down, keeping it in a horizontal position, in the upper part (C1.2), and matching the partitions of the selector (C1.1c) with the groove in the upper part (C1.2).



4. Insert the assembled upper part (C1.1 + C1.2 + C1.3) into the lower part (C1.4) and hook it by turning it clockwise.



HOW TO USE THE RF9 NEBULISER WITH PARTICLE SIZE REGULATOR AND VALVE SYSTEM

It is professional, quick, recommended for administering all types of medicinal products, even in patients with chronic diseases. The valve system optimises the dispensing of the nebulised medicinal product to the patient and limits its dispersion in the environment. Moreover, thanks to the particle size regulator, the size of nebulised particles can be selected based on the respiratory system area where the medication is to be delivered. Indeed, with the 4 available modes, the bowl can dispense particles of different sizes:

RESPIRATORY SYSTEM	UPPER AIRWAYS		LOWER AIRWAYS	
	Oropharyngeal tract	Tracheobronchial tract	Pulmonary tract	Peripheral tract
CONFIGURATION BOWL	Without Selector	Selector in position 1	Selector in position 2	Selector in position 3
MMAD (µm)	5,80 ⁽³⁾	4,67 ⁽¹⁾	3,62 ⁽¹⁾	2,56 ⁽¹⁾
Output rate (ml/min ['])	0,75 ⁽²⁾	0,54 ⁽²⁾	0,51 ⁽²⁾	0,38 ⁽²⁾
Breathable fraction < 5 µm (FPF)	40,3 ⁽³⁾	54,4 ⁽¹⁾	66,3 ⁽¹⁾	82,2 ⁽¹⁾

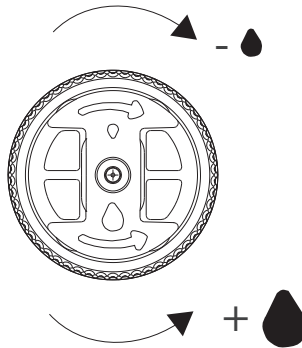
(1) In vitro testing performed by TÜV Rheinland Italia S.r.l. in collaboration with the University of Parma and in compliance with the EN 13544-1: 2007 + A1 European Standard for aerosol therapy devices Standard. More details are available on request.

(2) Data measured according to Flaem I29-P07.5 internal procedure Dispensing speed values may vary according to the patient's respiratory capacity. More details are available on request.

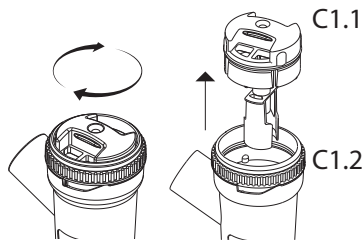
(3) Data calculated on the basis of the values obtained with Malvern Spraytec, and compared with the values of the tests performed at the University of Parma.

Select the desired position by means of the particle size regulator C1.1.

By turning the regulator clockwise, the selector (C1.1c) moves and closes the opening, while it opens if the regulator is turned anti-clockwise.



To use the bowl without selector, firmly grasp the bowl body and use your other hand to rotate the particle size regulator (C1.1) clockwise until it is ejected from the upper part (C1.2).



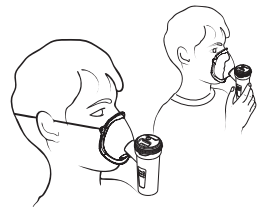
INSTRUCTIONS FOR USE

Before each use, clean hands thoroughly and clean the device as described in the section on "CLEANING SANITISATION DISINFECTION". During use, it is advisable to protect yourself from any dripping. It is recommended that each person use their own nebulizer cup and accessories to prevent risk of infection due to contamination.

This device is suitable for the administration of medical substances and not, for which the administration via aerosol is foreseen; these substances are to be in any case prescribed by the Doctor. In case of too thick substances, the dilution with a suitable physiological solution could be needed, according to the medical prescription.

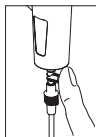
1. Plug the power cord (A7) into a power socket corresponding to the voltage of the unit. This must be positioned so that it is not difficult to make the disconnection from the mains.
2. Pour the medication prescribed by the physician into the lower part (C1.4). Insert the upper part (C1.1+C1.2+C1.3) of the bowl into the lower part (C1.4), then close the bowl by turning the upper part (C1.2) clockwise. Close the nebulizer by turning the upper part (C1.2) clockwise.
3. Connect accessories as indicated in the "Connection diagram" on the cover.
4. Set the bowl selector to the desired particle size as described under "HOW TO USE THE RF9 NEBULIZER WITH PARTICLE SIZE REGULATOR AND VALVE SYSTEM".
5. Sit comfortably holding the nebulizer in your hand, place the mouthpiece onto your mouth or alternatively use the nose piece or mask. Should you opt for the mask accessory, place it on your face as shown in the picture (with or without using the elasticated strap).
6. Start the device by operating the switch (A1). Inhale gently and deeply; after inspiration we recommend to hold your breath for a moment in order to allow inhaled aerosol droplets to deposit. Then, exhale slowly.
7. When the treatment is finished, shut off the device and unplug the power cord.

WARNING: If after the therapy session moisture accumulates in the tube (B), remove the tube from the nebulizer and dry it using the device's compressor fan; this operation will prevent mold from forming inside the tube.

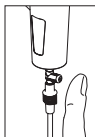


USE OF NEBULIZATION MANUAL CONTROL

To achieve continuous nebulisation action you should not use the manual nebulisation control (C6), especially in the case of children or persons with reduced physical, sensory, or mental capabilities. The manual nebulisation control is useful for limiting dispersion of the medication in the surrounding environment.

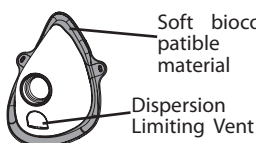


To start nebulizing close with a finger the hole of the nebulizer manual control (C11) and breathe in gently; we recommend to hold your breath for a moment so that the inhaled aerosol droplets can be deposited,



meanwhile, to disable nebulizing, remove your finger from the hole of the nebulizer manual control to avoid the waste of drug, optimizing its acquisition. Then exhale slowly.

SOFTTOUCH FACE MASKS



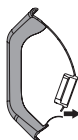
Soft biocompatible material

Dispersion Limiting Vent

The new SoftTouch Masks feature an adaptive edge made of a soft biocompatible material ensuring an excellent adherence to the face and a Dispersion Limiting Vent. These innovations, which make them stand out from the rest, allow increased sedimentation of medication in the lungs and reduced dispersion into the air.



During inspiration the vent bends inwards.



During expiration the vent bends outwards.

CLEANING, SANITISATION, DISINFECTION, STERILISATION

Switch off the device before any cleaning procedure and unplug the power cable from the socket.

DEVICE (A) AND TUBING EXTERIOR (B)

Use only a damp cloth with antibacterial soap (non-abrasive and with no solvents of any sort).

ACCESSORIES

To disassemble the RF9 nebulizer.

Firmly grasp the bowl body and then use your other hand to rotate the particle size regulator (C1.1) clockwise until it is ejected from the upper part (C1.2) as a result of unscrewing. The components can then be disassembled (regulator C1.1a, valve C1.1b, selector C1.1c and upper part C1.2) to be cleaned. The nozzle (C1.3) is interference fitted in the upper part (C1.2) and can be extracted by simply pulling it outwards.

Then proceed according to the instructions below.

CLEANING AT HOME - SANITISATION AND DISINFECTION

SANITISATION

Before and after each use, sanitise the cup and the accessories, choosing one of the methods described below.

method A: Sanitise accessories **C1.1a-C1.1b-C1.1c-C1.2-C1.3-C1.4-C2-C3-C4-C5-C6** under potable hot water (approximately 40°C) with a gentle, non abrasive dish detergent.

method B: Sanitise accessories **C1.1a-C1.1b-C1.1c-C1.2-C1.3-C1.4-C2-C3-C4-C5-C6** in the dishwasher with a hot cycle.

method C: Sanitise accessories **C1.1a-C1.1b-C1.1c-C1.2-C1.3-C1.4-C2-C3-C4-C5-C6** by immersing them in a solution of 50% water and 50% white vinegar, then rinse thoroughly under potable hot water (approximately 40°C).

If you want to also perform the cleaning for DISINFECTION, jump to the DISINFECTION paragraph.

After having sanitised the accessories, shake them vigorously and place them on a paper towel. Alternatively, dry them with a jet of hot air (for example, a hair dryer).

DISINFECTION

After sanitising the cup and the accessories, disinfect them choosing one of the methods described below.

method A: Accessories **C1.1a-C1.1b-C1.1c-C1.2-C1.3-C1.4-C2-C3-C4-C5-C6** can be disinfected.

The disinfectant must be an electrolytic chloroxidizer (active principle: sodium hypochlorite) specific for disinfecting, which is available in any pharmacy.

Implementation:

- Fill a container big enough to hold all of the parts to disinfect with a solution of potable water and disinfectant, according to the proportions indicated on the packaging of the disinfectant.

- Completely immerse each part in the solution, taking care to avoid the formation of air bubbles on the parts. Leave the parts immersed for the amount of time indicated on the packaging of the disinfectant associated with the concentration chosen for the solution.
- Remove the disinfected parts and rinse abundantly with warm potable water.
- Dispose of the solution following the instructions provided by the disinfectant manufacturer.

method B: Sanitise the accessories **C1.1a-C1.1b-C1.1c-C1.2-C1.3-C1.4-C2-C3-C4-C5-C6** by boiling them in water for 10 minutes; use demineralised or distilled water to prevent calcium deposits.

method C: Sanitise the accessories **C1.1a-C1.1b-C1.1c-C1.2-C1.3-C1.4-C2-C3-C4-C5-C6** with a hot steam steriliser for baby-bottle (not the microwave type). Perform the process faithfully following the instructions of the steriliser. To ensure that the disinfection is effective, choose a steriliser with an operating cycle of at least 6 minutes.

After having disinfected the accessories, shake them vigorously and place them on a paper towel. Alternatively, dry them with a jet of hot air (for example, from a hair dryer).

CLEANING IN A CLINICAL OR HOSPITAL SETTING - DISINFECTION AND STERILISATION

Before disinfection or sterilisation, sanitise the nebuliser cup and the accessories, choosing one of the methods described below.

method A: Sanitise accessories **C1.1a-C1.1b-C1.1c-C1.2-C1.3-C1.4-C2-C3-C4-C5-C6** under potable hot water (approximately 40°C) with a gentle, non abrasive dish detergent.

method B: Sanitise accessories **C1.1a-C1.1b-C1.1c-C1.2-C1.3-C1.4-C2-C3-C4-C5-C6** in the dishwasher with a hot cycle.

DISINFECTION

Accessories **C1.1a-C1.1b-C1.1c-C1.2-C1.3-C1.4-C2-C3-C4-C5-C6** can be disinfected.

The disinfectant must be an electrolytic chloroxidizer (active principle: sodium hypochlorite) specific for disinfecting, which is available in any pharmacy.

Implementation:

- Fill a container big enough to hold all of the parts to disinfect with a solution of potable water and disinfectant, according to the proportions indicated on the packaging of the disinfectant.
- Completely immerse each part in the solution, taking care to avoid the formation of air bubbles on the parts. Leave the parts immersed for the amount of time indicated on the packaging of the disinfectant associated with the concentration chosen for the solution.
- Remove the disinfected parts and rinse abundantly with warm potable water.
- Dispose of the solution following the instructions provided by the disinfectant manufacturer.

If you want to also perform the STERILISATION, jump to the STERILISATION paragraph.

After having disinfected the accessories, shake them vigorously and place them on a paper towel. Alternatively, dry them with a jet of hot air (for example, from a hair dryer).

STERILISATION

Accessories **C1 (Assembled nebulizer) -C2-C3-C4-C5-C6** can be sterilised.

Device: Fractionated vacuum overpressure steam steriliser in accordance with EN 13060.

Implementation: Wrap every single part to be treated with a sterile barrier system or packaging in accordance with Norm EN 11607. Place the packed components in the steam steriliser. Run the sterilisation cycle according to the operating instructions of the device by selecting a temperature of 134°C and a time of 10 minutes first.

Storage: Store the sterilised parts as per the instructions for use of either the sterile barrier system or packaging. The sterilisation procedure is validated in its conformity to ISO 17665-1.

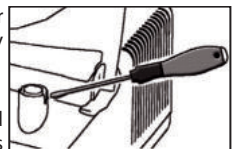
At the end of each use store the device complete with accessories in a dry place away from dust.

AIR FILTERING

The device is quipped with an extraction filter (A3) that must be replaced when it is dirty or changes colour. Do not wash or reuse the same filter. Regular filter replacement is necessary to help ensure proper compressor performance. The filter must be checked regularly.

To replace the filter:

Insert a slotted screwdriver between the edge of the filter and the body. Lift the filter and extract it by rotating and pulling up. The filter was designed to always remain secured in its seat. Do not replace the filter during use.



Only use original accessories and spare parts by Flaem, we disclaim any liability in the event of using non original spare parts or accessories.

TROUBLESHOOTING

Switch off the device before any procedure and unplug the power cable from the socket.

PROBLEM	CAUSE	SOLUTION
The device does not work	The power cable has not been correctly inserted into the power socket	Correctly insert the power cable in sockets.
The device does not nebulize or nebulizes insufficiently.	The medication has not been inserted in the nebulizer	Pour the right amount of medication in the nebulizer
	The nebulizer has not been properly fitted.	Disassemble the nebulizer and reassemble it correctly as shown in the connection diagram on the cover.
	The nebulizer nozzle is clogged	Disassemble the nebulizer, remove the nozzle and perform cleaning operations. Failure to remove medication deposits from the nebulizer affects its efficiency and operation. Strictly comply with the instructions contained in the "CLEANING, SANITISATION DISINFECTION" chapter
	The air pipe is not correctly connected to the device	Ensure the device's accessories are properly connected to the air intake (see connection diagram on the cover).
	The air pipe is bent, damaged or twisted	Unwind the pipe and ensure it is not crushed or punctured. If necessary replace it.
The apparatus is noisier than usual	The air filter is dirty	Replace the filter
	The Filter is not correctly inserted in its housing	Fully and properly insert the Filter in its housing

If after verifying the above mentioned conditions the device should not operate properly, contact your trusted retailer or the nearest authorized FLAEM service center.

SYMBOLS



CE Medical Marking ref. Dir. 93/42 EEC and subsequent amendments



Class II device



Important: check the operating instructions



"OFF" for part of equipment



"ON" for part of equipment



Complies with: European standard EN 10993-1 "Biological Evaluation of Medical Devices" and European Directive 93/42/EEC "Medical Devices". Phthalates free. In conformity with Reg. (EC) no. 1907/2006



Minimum and maximum room temperature



Minimum and maximum atmospheric pressure



Serial number of device



Manufacturer



Type BF applied part



Alternating current



Enclosure protection rating: IP21. (Protected against solid bodies over 12 mm. Protected against access with a finger; Protected against vertically falling water drops).



Minimum and maximum air moisture

TECHNICAL SPECIFICATIONS

Mod. CONDOR F2000

Voltage:	230V~ 50Hz 210VA	115V~ 60Hz	220V~ 60Hz	100V~50/60Hz
----------	------------------	------------	------------	--------------

Max pressure: 3,5 ± 0.3 bar
Compressor air delivery: approx 14 l/min
Noise (at 1 m): approx 55 dB (A)
Operation: Continuous

Operating Conditions:

Temperature: min 10°C; max 40°C
Air humidity: min 10%; max 95%
Atmospheric pressure: min 69KPa; max 106KPa

Storage conditions:

Temperature: min -25°C; max 70°C
Air humidity: min 10%; max 95%
Atmospheric pressure: min 69KPa; max 106KPa
Dimensions: 20 (W) x 29,5 (D) x 10 (H) cm
Weight: 2.400 Kg

APPLIED PARTS

Type BF applied parts are: patient accessories (C2, C3, C4, C5)


RF9

Minimum medication capacity: 2 ml
Maximum medication capacity: 8 ml
Operating pressure (with neb.): approx. 1.30 bar

ELECTROMAGNETIC COMPATIBILITY

This device was designed to satisfy the currently required requisites for electromagnetic compatibility (EN 60601-1-2). Electro-medical devices require particular care during installation and use relative to EMC requirements. Users are therefore requested to install and/or use these devices following the manufacturer's specifications. There is a risk of potential electromagnetic interference with other devices. RF mobile or portable radio and telecommunications devices (mobile telephones or wireless connections) can interfere with the functioning of electro-medical devices. For further information visit our website www.flaemnuova.it. The Medical Device may be subject to electromagnetic interference if other devices are used for specific diagnosis or treatments. Flaem reserves the right to make technical and functional modifications to the product with no prior warning.

DEVICE DISPOSAL

 In compliance with the Directive 2012/19/EC, the symbol printed on the device shows that the device to be disposed of is considered waste and must therefore be an item of "differentiated collection". Consequently, the user must take it (or have it taken) to the designated collection sites provided by the local authorities, or turn it in to the dealer when purchasing an equivalent new device. Differentiated waste collection and the subsequent treatment, recycling and disposal procedures promote the production of devices made with recycled materials and limit the negative effects on the environment and on health caused by potential improper waste management. The unlawful disposal of the product by the user could result in administrative fines as provided by the laws transposing Directive 2012/19/EC of the European member state or of the country in which the product is disposed of.

PACKAGING DISPOSAL



Product box



Heat shrink film accessories



Product packaging bag and
Tube packaging bag



NebulFlaem^{4.0}

Mod. CONDOR F2000
GERÄT FÜR AEROSOLTHERAPIE

Wir freuen uns, dass Sie unser Produkt erworben haben und danken Ihnen für Ihr Vertrauen. Unser Ziel ist die Zufriedenheit unserer Kunden, indem wir ihnen innovative Produkte für die Behandlung von Erkrankungen der Atemwege anbieten. **Lesen Sie diese Anweisungen aufmerksam durch und behalten Sie sie für zukünftige Konsultationen auf. Dies ist ein medizinisches Gerät für den Gebrauch zu Hause, um Medikamente, die von Ihrem Arzt verschrieben oder empfohlen wurden, nachdem er den allgemeinen Zustand des Patienten bewertet hat, zu zerstäuben und zu verabreichen.** Wir weisen Sie darauf hin, dass die gesamte Produktpalette von Flaem im Internet unter www.flaem.it zu sehen ist.

DEUTSCH

STANDARD LIEFERUMFANG

A - Aerosoltherapie-Gerät

- A1 - Schalter
- A2 - Lufteinlass
- A3 - Luftfilter
- A4 - Verneblerhalter
- A5 - Tragegriff
- A6 - Kabelfach
- A7 - Netzkabel

B - Anschlusschlauch (Hauptgerät/Vernebler)

C - Zubehör

- C1 - Zerstäuber RF9
 - C1.1 - Kompletter Partikelgrößenregler
 - C1.1a - Regler
 - C1.1b - Ventil
 - C1.1c - Wahlschalter
 - C1.2 - Oberer Teil
 - C1.3 - Düse
- C1.4 - Unterer Teil
- C2 - Mundstück
 - C2.1 - Ausatmungsventil
- C3 - Nicht invasives Nasenstück
- C4 - Maske für Erwachsene
- C5 - Maske für Kinder
- C6 - Manuelle Zerstäubungseinstellung

WICHTIGE HINWEISE:

- Dieses Produkt wird auch direkt vom Patienten verwendet.
- Vor der Erstinbetriebnahme und während der gesamten Lebensdauer des Produkts die Unversehrtheit des Geräts prüfen und das Netzkabel auf Schäden untersuchen; sollte es beschädigt sein, stecken Sie den Stecker nicht in die Steckdose und bringen Sie das Gerät unverzüglich zu einem autorisierten Kundendienstzentrum von FLAEM oder zu Ihrem Vertrauenshändler.
- Sollte das Gerät die Leistungen nicht einhalten, ist zur Klärung der autorisierte Kundendienst zu kontaktieren.
- Die durchschnittliche Laufzeit des Zubehörs beläuft sich auf 1 Jahr, aber es ist ratsam, die intensiv genutzte Ampulle alle 6 Monate zu ersetzen (oder früher, wenn die Ampulle verstopft ist), um maximale therapeutische Wirksamkeit zu gewährleisten.
- Kinder und pflegebedürftige Personen dürfen das Gerät nur unter strenger Aufsicht eines Erwachsenen verwenden, der die vorliegende Gebrauchsanweisung gelesen hat.
- Einige Geräteteile sind sehr klein und könnten von Kindern verschluckt werden. Bewahren Sie das Gerät daher außerhalb der Reichweite von Kindern auf.
- Verwenden Sie die mitgelieferten Schläuche und Kabel nur zweckgemäß, denn es besteht Erürgungsgefahr. Besonders muss auf Kinder und behinderte Personen geachtet werden, da diese oft die Gefahren nicht richtig einschätzen können.
- Dieses Gerät ist nicht geeignet für den Einsatz von mit Luft, Sauerstoff oder Lachgas entflammenden Anästhetikamischungen.
- Halten Sie das Netzkabel immer von heißen Oberflächen fern.
- Halten Sie das Netzkabel von Tieren (wie Nagetieren) fern, da diese die Netzkabelisolierung beschädigen könnten.
- Fassen Sie niemals das Gerät mit nassen Händen an. Verwenden Sie das Gerät nicht in feuchter Umgebung (z.B. beim Baden oder Duschen). Tauchen Sie das Gerät nie in Wasser. Sollte dies geschehen, ziehen Sie sofort den Stecker aus der Steckdose. Das eingetauchte Gerät weder aus dem Wasser nehmen noch berühren. Zuerst den Stecker abziehen. Bringen Sie das Gerät unverzüglich zu einem autorisierten FLAEM - Kundendienstzentrum oder zu Ihrem Vertrauenshändler.
- Verwenden Sie das Gerät nur in staubfreier Umgebung, da andernfalls die Therapie beeinträchtigt werden könnte.
- Das Gerät nicht unter fließendem Wasser reinigen oder eintauchen und es allgemein vor Wasser oder Flüssigkeiten schützen.
- Setzen Sie das Gerät nicht hohen Temperaturen aus.
- Halten Sie das Gerät von Wärmequellen, Sonneneinstrahlung oder überhitzter Umgebung fern.
- Der Filter und sein entsprechender Sitz am Gerät darf nicht verstopft oder mit eingefügten Gegenständen blockiert werden.
- Blockieren Sie niemals die Luftschlitze auf beiden Seiten des Gerätes.

- Setzen Sie das Gerät immer auf einer harten, hindernisfreien Oberfläche in Betrieb.
- Vor jeder Benutzung sicherstellen, dass die Luftschlitze nicht verstopft sind.
- Keine Fremdkörper in die Luftschlitze einfügen.
- Reparaturen, einschließlich die Auswechslung des Netzkabels, dürfen nur von autorisiertem FLAEM-Personal und unter Befolgung der Herstelleranweisungen ausgeführt werden.
- Vorgesehene durchschnittliche Lebensdauer der Kompressoren: F400: 400 Stunden, F700: 700 Stunden, F1000: 1000 Stunden, F2000: 2000 Stunden.
- ACHTUNG: Nehmen Sie ohne die Genehmigung des Herstellers keine Änderungen am Gerät vor.
- Hersteller, Händler und Importeur sind für die Sicherheit, Zuverlässigkeit und Leistungen des Gerätes nur dann haftbar, wenn a) das Gerät gemäß den Gebrauchsanweisungen verwendet wird und b) die elektrische Anlage, an die das Gerät angeschlossen wird, normgerecht ist und den geltenden Gesetzen entspricht.
- Wechselwirkungen: die in Kontakt mit den Arzneimitteln verwendeten Materialien wurden mit einer weiten Bandbreite von Medikamenten getestet. Trotzdem ist es durch die Vielfalt und die kontinuierliche Weiterentwicklung der Medikamente nicht möglich, Wechselwirkungen auszuschließen. Wir empfehlen, das Medikament so bald wie möglich nach dem Öffnen zu verbrauchen und eine längere Exposition mit der Ampulle zu vermeiden.
- Der Hersteller muss kontaktiert werden, um Probleme und/oder unerwartete Ereignisse in Bezug auf den Betrieb mitzuteilen und bei Bedarf Erklärungen zum Gebrauch und/oder zur Wartung/Reinigung zu geben.
- Wechselwirkungen: Die beim Medizinprodukt verwendeten Materialien sind biokompatibel und entsprechen den zwingenden Vorschriften der Richtlinie 93/42 EG und folgende Änderungen, allerdings können mögliche allergische Reaktionen nicht vollkommen ausgeschlossen werden.
- Die notwendige Zeit, um von den Aufbewahrungsbedingungen zu den Betriebsbedingungen überzugehen, beträgt ungefähr 2 Stunden.

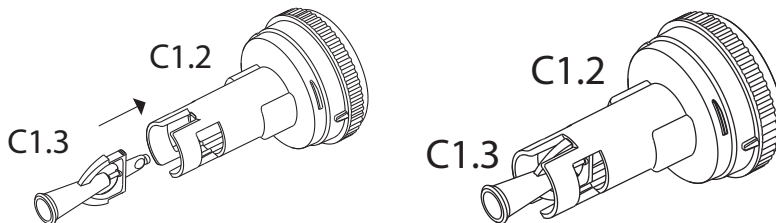
Vorteile des BioCote-Schutzes

Das Gehäuse von NebulFlaem 4.0 besteht aus ABS, das mit dem antimikrobiellen Zusatzstoff BioCote® gemischt ist. Hierdurch werden die Oberflächen rund um die Uhr geschützt und dauerhaft mit antibakteriellen, antimykotischen und antiviralen Eigenschaften ausgestattet. Bewahren Sie Zubehör in einer sichereren Umgebung auf.

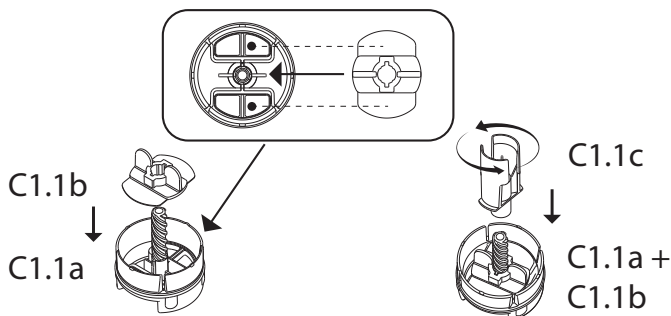
MONTAGE ZERSTÄUBER

Befolgen Sie die folgenden Montageanweisungen.

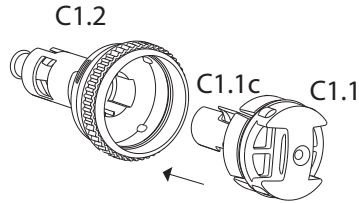
1. Die Düse (C1.3) am Oberteil (C1.2) montieren.



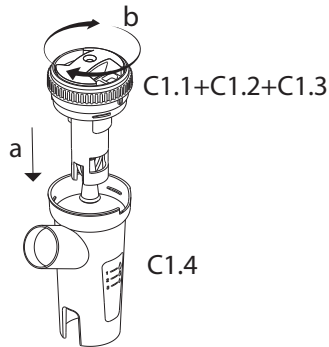
2. Das Ventil (C1.1b) mit der flachen Seite nach unten auf dem Partikelgrößenregler (C1.1a) positionieren und dabei das Loch mit den Positionstrippen ausrichten. Dann den Wahlschalter (C1.1c) bis zum Anschlag auf dem Gewindestift des Reglers einschrauben. Den montierten Regler drehen, um sicherzustellen, dass er sich frei drehen kann und dass sich der Wahlschalter zwischen den verschiedenen Positionen auf- und abwärts bewegt.



3. Den zuvor montierten Partikelgrößenregler (C1.1) einsetzen, bis zum Anschlag drücken und im oberen Teil (C1.2) horizontal halten, wobei die Schotte des Wahlschalters (C1.1c) mit der Aussparung des oberen Teils (C1.2) zur Deckung gebracht werden müssen.



4. Das montierte Oberteil (C1.1+C1.2+C1.3) in das Unterteil (C1.4) einsetzen und durch Drehen im Uhrzeigersinn einrasten lassen.



VERWENDUNGSARTEN DES ZERSTÄUBERS „RF9“ MIT PARTIKELGRÖSSEN-REGLER UND VENTILSYSTEM

Professionell, schnell, und für die Verabreichung jeglicher Medikamente geeignet, auch bei Patienten mit chronischen Krankheiten. Das Ventilsystem optimiert die Verabreichung des zerstäubten Medikaments an den Patienten und begrenzt seine Freisetzung in die Umwelt. Dank des Partikelgrößenreglers kann außerdem die Größe der zerstäubten Partikel entsprechend dem Bereich der Atemwege, für den die Therapie bestimmt ist, ausgewählt werden. Anhand der 4 unterschiedlichen Betriebsarten kann der Zerstäuber nämlich Partikel unterschiedlicher Größe abgeben:

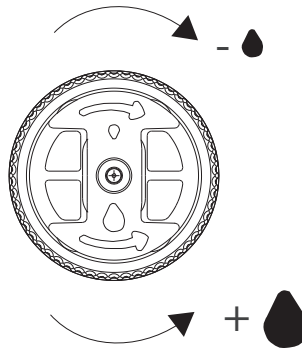
ATEMWEGE	OBERE ATEMWEGE		UNTERE ATEMWEGE	
	Mund- und Rachenstrakt	Tracheobronchialtrakt	Lungentrakt	Peripherer Trakt
KONFIGURATION ZERSTÄUBER	Ohne Wahlschalter	Wahlschalter auf Position 1	Wahlschalter auf Position 2	Wahlschalter auf Position 3
MMAD (µm)	5,80 ⁽³⁾	4,67 ⁽¹⁾	3,62 ⁽¹⁾	2,56 ⁽¹⁾
Geschwindigkeit (ml/min ¹)	0,75 ⁽²⁾	0,54 ⁽²⁾	0,51 ⁽²⁾	0,38 ⁽²⁾
Atembare Fraktion < 5 µm (FPF) %	40,3 ⁽³⁾	54,4 ⁽¹⁾	66,3 ⁽¹⁾	82,2 ⁽¹⁾

(1) In-vitro-Charakterisierung durch TÜV Rheinland Italia S.r.l., in Zusammenarbeit mit der Universität Parma und in Übereinstimmung mit der Europäischen Norm für Aerosoltherapie-Geräte Norm EN 13544-1:2007 + A1.

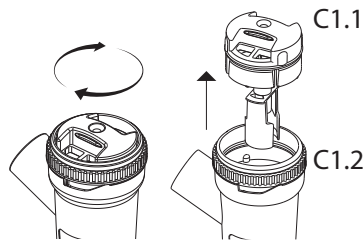
(2) Daten, die nach dem unternehmensinternen Verfahren Flaem I29-P07.5 erhoben werden. Die Werte der Geschwindigkeit der Verabreichung können je nach Atemkapazität des Patienten variieren. Weitere Details auf Anfrage.

(3) Daten, die auf der Grundlage der mit System Malvern Spraytec ermittelten Werte berechnet und mit den Werten der an der Universität Parma durchgeführten Tests verglichen wurden.

Die gewünschte Position mit dem Partikelgrößenregler C1.1 wählen. Durch Drehen des Reglers im Uhrzeigersinn verschiebt sich der Wahlschalter (C1.1c) und schließt die Öffnung, die hingegen durch Drehen des Reglers gegen den Uhrzeigersinn geöffnet wird.



Um die Ampulle ohne Wahlschalter zu verwenden, den Zerstäuberkörper festhalten und mit der anderen Hand den Partikelgrößenregler (C1.1) im Uhrzeigersinn drehen, bis er aus dem Oberteil (C1.2) ausgestoßen wird.



BEDIENUNGSANLEITUNG

Vor jedem Gebrauch gründlich die Hände waschen und das Gerät wie in Absatz „REINIGUNG, ENTKEIMUNG UND DESINFEKTION“ beschrieben reinigen. Der Zerstäuber und das Zubehör sind nur für den persönlichen Gebrauch bestimmt, um die Gefahr einer Infektion durch Ansteckung zu vermeiden. Dieser Zerstäuber eignet sich zur Verabreichung von Arzneimitteln und anderen Mitteln, die über eine Aerosoltherapie zu verabreichen sind; diese Mittel müssen jedoch auf jeden Fall vom Arzt verordnet werden. Bei dickflüssigen Mitteln könnte entsprechend der ärztlichen Verschreibung eine Verdünnung mit Kochsalzlösung erforderlich sein. Es wird empfohlen, sich während der Anwendung gut gegen eventuelles Tropfen zu schützen.

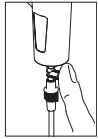
1. Stecken Sie das Stromkabel (A7) in eine Stromsteckdose mit der gleichen Spannung wie die Gerätespannung. Die Steckdose muss gut erreichbar sein, so dass man das Gerät schnell vom Stromnetz nehmen kann.
2. Das von Arzt verschriebene Medikament in den unteren Teil (C1.4) gießen. Den oberen Teil (C1.1+C1.2+C1.3) des Zerstäubers in den unteren Teil (C1.4) einfügen, den Zerstäuber schließen, indem der obere Teil (C1.2) im Uhrzeigersinn gedreht wird.
3. Das Zubehör wie im „Anschlussplan“ beschrieben anschließen.
4. Stellen Sie den Zerstäuber Wahlschalter auf die gewünschte Partikelgröße ein, wie im Abschnitt „**Verwendungsarten des Zerstäubers RF9**“ beschrieben
5. Setzen Sie sich bequem hin, den Zerstäuber in der Hand haltend, setzen Sie das Mundstück an den Mund oder verwenden Sie die Gesichtsmaske. Sollten Sie die Gesichtsmaske verwenden, bringen Sie sie wie in der Abbildung beschrieben am Gesicht an (mit oder ohne Gummiband).
6. Schalten Sie das Gerät durch Betätigung des Schalters (A1) ein und atmen Sie tief ein und aus. Es wird empfohlen, nach der Inhalation den Atem für einen Augenblick zu halten, so dass sich die inhalierten Aerosoltröpfchen ablagern können. Atmen Sie dann langsam aus.
7. Nach der Anwendung das Gerät ausschalten und den Netzstecker abziehen.



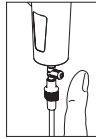
ACHTUNG: Sollte sich nach der Therapie eine deutliche Ablagerung von Feuchtigkeit im Inneren des Schlauchs (B) bilden, ziehen Sie den Schlauch aus dem Sprühgerät und trocknen Sie ihn mit dem Gebläse des Kompressors; diese Maßnahme vermeidet eine mögliche Verbreitung von Schimmel im Schlauch.

VERWENDUNG DER MANUELLEN ZERSTÄUBUNGSEINSTELLUNG

Um eine kontinuierliche Zerstäubung zu erhalten wird empfohlen, die manuelle Zerstäubungseinstellung (C6), vor allem bei Kindern oder pflegebedürftigen Personen, nicht zu verwenden. Die manuelle Zerstäubungseinstellung ist nützlich, um die Dispersion des Wirkstoffs in die Umgebung zu begrenzen.



Um die Zerstäubung zu aktivieren, verschließen Sie mit einem Finger das Loch der manuellen Zerstäubungseinstellung (8) und atmen Sie langsam tief ein; es wird empfohlen, nach der Inhalation den Atem für einen Augenblick anzuhalten, so dass sich die inhalierten Aerosoltröpfchen ablagern können,



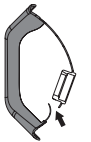
in der Zwischenzeit nehmen Sie den Finger vom Loch der manuellen Zerstäubungseinstellung, um die Zerstäubung zu deaktivieren und so die Verschwendung des Wirkstoffes zu vermeiden. Atmen Sie dann langsam aus. *ottimizzandone l'acquisizione. Espirate poi lentamente.*

GESICHTSMASKEN SOFTTOUCH

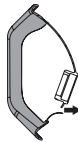


Weiches Material, biokompatibel
Dispensionsbegrenzer

Die **SoftTouch**-Gesichtsmasken sind mit einem Außenrand aus **weichem, biokompatiblen** Material ausgestattet, das sich auszeichnet an die Gesichtsförm anpasst, und verfügen zudem über einen **innovativen Dispensionsbegrenzer**. Diese charakteristischen Eigenschaften, die sie auszeichnen, erlauben eine bessere Verabreichung des Medikaments am Patienten und auch in diesem Fall wird die **Dispersion** begrenzt.



Beim Einatmen biegt sich die Lasche, die als **Dispensionsbegrenzer** dient, nach innen in die Gesichtsmaske



Beim Ausatmen biegt sich die **Lasche**, die als **Dispensionsbegrenzer** fungiert, aus der Gesichtsmaske heraus.

REINIGUNG ENTKEIMUNG DESINFEKTION STERILISIERUNG

Schalten Sie vor jeder Reinigung das Gerät ab und ziehen Sie das Netzkabel aus der Steckdose.

GERÄT (A) UND AUSSENSEITE DES SCHLAUCHS (B)

Verwenden Sie nur ein mit antibakteriellem (nicht scheuerndem und lösungsmittelfreiem) Reinigungsmittel befeuchtetes Tuch.

ZUBEHÖR

Demontage des RF9-Zerstäubers

Den Zerstäuberkörper festhalten und dann mit der anderen Hand den Partikelgrößenregler (C1.1) im Uhrzeigersinn drehen, bis dieser durch Abschrauben aus dem Oberteil (C1.2) ausgestoßen wird. Die Bauteile (Regler C1.1a, Ventil C1.1b, Wahlschalter C1.1c) können dann zur Reinigung abmontiert werden.

Die Düse (C1.3) ist im oberen Teil (C1.2) störsicher montiert und kann durch einfaches Herausziehen entfernt werden.

Anschließend gemäß den nachstehenden Anweisungen fortfahren.

REINIGUNG IN DER HÄUSLICHEN UMGEBUNG - ENTKEIMUNG UND DESINFEKTION

ENTKEIMUNG

Entkeimen Sie den Zerstäuber und die Zubehörteile vor und nach jedem Gebrauch, indem Sie eine der nachfolgend beschriebenen Methoden wählen.

Methode A: Entkeimen Sie die Zubehörteile **C1.1a-C1.1b-C1.1c-C1.2-C1.3-C1.4-C2-C3-C4-C5-C6** unter warmem Trinkwasser (ca. 40° C) mit mildem (nicht scheuerndem) Geschirrspülmittel.

Methode B: Entkeimen Sie die Zubehörteile **C1.1a-C1.1b-C1.1c-C1.2-C1.3-C1.4-C2-C3-C4-C5-C6** in der Geschirrspülmaschine im Heißpülgang.

Methode C: Entkeimen Sie die Zubehörteile **C1.1a-C1.1b-C1.1c-C1.2-C1.3-C1.4-C2-C3-C4-C5-C6** durch Eintauchen in eine Lösung von 50 % Wasser und 50 % Weißweinessig, dann mit ausreichendem warmem Trinkwasser nachspülen (circa 40° C). Sollten Sie auch eine Reinigung zur DESINFEKTION ausführen wollen, gehen Sie direkt zum Abschnitt DESINFEKTION über.

Nach der Entkeimung schütteln Sie die Zubehörteile kräftig und legen Sie sie auf eine Papierserviette oder trocknen Sie sie mit einem Strahl warmer Luft (z.B. mit einem Fön).

DESINFEKTION

Nach dem Entkeimen des Zerstäubers und der Zubehörteile müssen sie desinfiziert werden; dazu ist eine der nachfolgend beschriebenen Methoden zu wählen..

Methode A: **C1.1a-C1.1b-C1.1c-C1.2-C1.3-C1.4-C2-C3-C4-C5-C6** sind **die desinfizierbaren Zubehörteile**.

Zum Desinfizieren muss ein elektrolytisches Chloroxidationsmittel verwendet werden (Wirkstoff: Natriumhypochlorit), das für Desinfektion vorgesehen und in jeder Apotheke erhältlich ist.

Vorgehensweise:

- Füllen Sie ein entsprechend großes Gefäß, in das alle einzelnen zu desinfizierenden Geräteteile passen, mit einer Lösung aus

Trinkwasser und Desinfektionsmittel, wobei die auf der Verpackung des Desinfektionsmittels vermerkten Mengenangaben beachtet werden müssen.

- Tauchen Sie jedes einzelne Geräteteil zur Gänze in die Lösung ein und achten Sie dabei darauf, dass sich keine Luftblasen an den Geräteteilen bilden. Die Geräteteile - entsprechend der gewählten Lösungsmittelkonzentration - so lange eingetaucht lassen, wie auf der Verpackung des Desinfektionsmittels angegeben ist.
- Die desinfizierten Geräteteile herausnehmen und gründlich mit lauwarmem Trinkwasser abspülen.
- Entsorgen Sie die Lösung gemäß den Angaben des Herstellers des Desinfektionsmittels.

Methode B: Desinfizieren Sie die Zubehörteile **C1.1a-C1.1b-C1.1c-C1.2-C1.3-C1.4-C2-C3-C4-C5-C6** indem Sie sie 10 Minuten in Wasser auskochen. Es empfiehlt sich, entmineralisiertes oder destilliertes Wasser zu verwenden, um Kalkablagerungen zu vermeiden.

Methode C: Desinfizieren Sie die Zubehörteile **C1.1a-C1.1b-C1.1c-C1.2-C1.3-C1.4-C2-C3-C4-C5-C6** mit einem Dampfsterilisator für Milchflaschen (keine Mikrowelle). Führen Sie den Vorgang getreu den Anweisungen des Sterilisators aus. Damit die Desinfektion wirksam ist, sollten Sie einen Sterilisator mit einem Betriebszyklus von mindestens 6 Minuten auswählen.

Nachdem die Zubehörteile desinfiziert wurden, schütteln Sie sie kräftig und legen Sie sie auf eine Papierserviette oder trocknen Sie sie mit einem Heißluftstrahl (z.B. mit einem Fön).

REINIGUNG IN KLINISCHEN BEREICHEN ODER KRANKENHÄUSERN - DESINFEKTION und STERILISATION

Vor der Desinfektion oder Sterilisation entkeimen Sie die Ampulle und Zubehörteile, indem Sie eine der nachfolgend beschriebenen Methoden wählen.

Methode A: Entkeimen sie die Zubehörteile **C1.1a-C1.1b-C1.1c-C1.2-C1.3-C1.4-C2-C3-C4-C5-C6** unter warmem Trinkwasser (ca. 40 °C) mit mildem (nicht scheuerndem) Geschirrspülmittel.

Methode B: Entkeimen sie die Zubehörteile **C1.1a-C1.1b-C1.1c-C1.2-C1.3-C1.4-C2-C3-C4-C5-C6** in der Geschirrspülmaschine mit Warmwasserzyklus.

DESINFEKTION

Die Zubehörteile, die desinfiziert werden können, sind **C1.1a-C1.1b-C1.1c-C1.2-C1.3-C1.4-C2-C3-C4-C5-C6**.

Zum Desinfizieren muss ein elektrolytisches Chloroxidationsmittel verwendet werden (Wirkstoff: Natriumhypochlorit), das für Desinfektion vorgesehen und in jeder Apotheke erhältlich ist.

Vorgehensweise:

- Füllen Sie ein entsprechend großes Gefäß, in das alle einzelnen zu desinfizierenden Geräteteile passen, mit einer Lösung aus Trinkwasser und Desinfektionsmittel, wobei die auf der Verpackung des Desinfektionsmittels vermerkten Mengenangaben beachtet werden müssen.

- Tauchen Sie jedes einzelne Geräteteil zur Gänze in die Lösung ein und achten Sie dabei darauf, dass sich keine Luftblasen an den Geräteteilen bilden. Lassen Sie die Geräteteile - entsprechend der gewählten Lösungsmittelkonzentration - so lange eingetaucht, wie auf der Verpackung des Desinfektionsmittels angegeben ist.

- Nehmen Sie die desinfizierten Geräteteile heraus und spülen Sie sie gründlich mit lauwarmem Trinkwasser ab.

- Entsorgen Sie die Lösung gemäß den Angaben des Herstellers der Desinfektionsmittels.

Sollten Sie auch die STERILISATION ausführen wollen, gehen Sie auf den Abschnitt STERILISATION über.

Nachdem die Zubehörteile desinfiziert wurden, schütteln Sie sie kräftig und legen Sie sie auf eine Papierserviette oder trocknen Sie sie mit einem Heißluftstrahl (z.B mit einem Fön).

STERILISATION

Die Zubehörteile, die sterilisiert werden können, sind **C1 (zusammengebauter Vernebler)-C2-C3-C4-C5-C6**.

Gerät: Dampfsterilisator mit fraktioniertem Vakuum und Überdruck gemäß Norm EN 13060.

Vorgehensweise: Verpacken Sie jedes einzelne Geräteteil mit sterilem Barriere-System oder -Verpackung gemäß Norm EN 11607. Die verpackten Geräteteile in den Dampfsterilisator einfügen. Den Sterilisationszyklus durchführen, dabei die Angaben für die Benutzung der Vorrichtung beachten, indem eine Temperatur von 134 °C und eine Zeitspanne von 10 Minuten gewählt wird.

Aufbewahrung: Bewahren Sie die sterilisierten Geräteteile wie in der Bedienungsanleitung des/der gewählten sterilen Barriere-Systems oder -Verpackung beschrieben auf.

Das Sterilisationsverfahren wurde in Übereinstimmung mit der Norm ISO 17665-1 validiert.

Am Ende jeder Verwendung die Zubehörteile an einem trockenen und vor Staub geschützten Ort aufbewahren.

AUSTAUSCH DES FILTERS

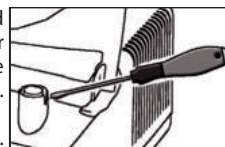
Das Gerät ist mit einem Luftfilter (A3) ausgestattet, der ausgetauscht werden muss, sobald er verschmutzt ist oder die Farbe verändert ist. Reinigen Sie den Filter nicht, um ihn wieder zu verwenden. Das regelmäßige Austauschen des Filters ist notwendig, um die korrekte Leistung des Kompressors zu gewährleisten. Der Filter muss regelmäßig kontrolliert werden. Um den Filter auszutauschen:

Klemmen Sie einen flachen Schraubenzieher zwischen den Filterrand und das Gehäuse.

Heben Sie den Filter an und ziehen Sie ihn heraus, indem Sie ihn drehen und gleichzeitig

nach. Der Filter ist so hergestellt, dass er immer fest an seinem Platz sitzt. De filter niet vervangen tijdens het gebruik.

Gebruik alleen originele accessoires en reserveonderdelen van Flaem, iedere aansprakelijkheid wordt afgewezen als niet-originele reserveonderdelen of accessoires gebruikt worden.



ERMITTLUNG DER STÖRUNGEN

Vor jedem Eingriff das Gerät ausschalten und das Netzkabel aus der Steckdose entfernen

PROBLEM	URSACHE	ABHILFE
Das Gerät funktioniert nicht	Netzkabel nicht korrekt in oder in die Netzsteckdose eingesteckt	Netzkabel korrekt in die Buchse/ Steckdose einstecken
Das Gerät vernebelt nicht oder nur wenig	Das Medikament wurde nicht in den Zerstäuber gegeben	Richtige Menge des Medikaments in den Zerstäuber geben.
	Der Zerstäuber wurde nicht korrekt montiert.	Zerstäuber zerlegen und wieder richtig entsprechend dem Anschlussschema auf der ersten Seite zusammenbauen.
	Die Duse des Zerstäubers ist verstopft.	Zerstäuber zerlegen, Duse entfernen und Reinigung durchführen. Wird der Zerstäuber nicht von den Medikamentenrückständen gereinigt, wird seine Funktionsfähigkeit und sein Betrieb beeinträchtigt. Halten Sie sich gewissenhaft an die Anweisungen im Kapitel REINIGUNG ENTKEIMUNG DESINFEKTION
	Der Luftschlauch ist nicht korrekt an das Gerät angeschlossen.	Verbindung zwischen dem Luftanschluss des Geräts und den Zubehörteilen überprüfen (siehe Anschlussschema auf der ersten Seite).
	Der Luftschlauch ist geknickt oder beschädigt oder verdreht.	Schlauch abwickeln und sicherstellen, dass er weder Quetschungen noch Locher aufweist. Gegebenenfalls ersetzen.
	Der Luftfilter ist verschmutzt.	Filter auswechseln
Das Gerät ist lauter als normal	Der Luftfilter nicht richtig eingesetzt	Filter richtig und bis zum Anschlag in seine Sitz einsetzen

Wenn das Gerät nach der Überprüfung der oben genannten Bedingungen nicht ordnungsgemäß funktioniert, wenden Sie sich an Ihren vertrauenswürdigen Händler oder das nächstgelegene autorisierte FLAEM-Kundendienstzentrum.

SYMBOLE



CE-Kennzeichnung als Medizinprodukt gem. Richtl. 93/42/EWG und folgende Änderungen



Geräteklasse II



Achtung, kontrollieren Sie die Gebrauchsanweisung



Funktionsschalter aus



Funktionsschalter ein



In Konformität mit der: Europäischen Norm EN 10993-1 "Biologische Beurteilung von Medizinprodukten" und der Europäischen Richtlinie 93/42/EWG "Medizinprodukte". Phthalate frei. In Übereinstimmung mit Reg. (CE) n. 1907/2006



Minimale und maximale Umgebungstemperatur



Minimaler und maximaler atmosphärischer Druck



Seriennummer des Gerätes



Hersteller



Anwendungsteil Typ BF



Wechselstrom



Schutzgrad des Gehäuses: IP21. (Geschützt gegen Festkörper mit Durchmesser über 12 mm. Geschützt gegen den Zugang mit einem Finger; Geschützt gegen senkrecht fallendes Tropfwasser.)



Minimale und maximale Luftfeuchtigkeit

TECHNISCHE DATEN

Gerät. CONDOR F2000

Spannung:	230V ~ 50Hz 210VA
Max. Spannung:	3,5 ± 0,5 bar
Luftmenge Kompressor:	ungefähr 14 l/min
Geräuschpegel (bis zu 1 m):	55 dB (A) ungefähr
Funktion:	Dauerfunktion

Betriebsbedingungen:

Temperatur:	min 10°C; max 40°C
RH Luftfeuchtigkeit:	min 10%; max 95%
Luftdruck:	min 69KPa; max 106KPa

Lagerungsbedingungen:

Temperatur:	min -25°C; max 70°C
RH Luftfeuchtigkeit:	min 10%; max 95%
Luftdruck:	min 69KPa; max 106KPa
Maße	20 (L) x 29,5 (P) x 10 (H) cm
Gewicht:	2,400 Kg (da verificare)

ANWENDUNGSTEILE

Die Anwendungsteile vom Typ BF sind: (C2, C3, C4, C5)

Vernebler RF9

Mindestmenge Arzneimittel:	2 ml
Höchstmenge Arzneimittel:	8 ml
Druck bei Betrieb (mit Sprühvorrichtung):	1,30 bar

ELEKTROMAGNETISCHE VERTRÄGLICHKEIT

Dieses Gerät wurde entwickelt, um die für die elektromagnetische Verträglichkeit erforderlichen Kriterien (EN 60601-1-2) zu erfüllen. Bei der Montage und Verwendung von elektromedizinischen Geräten muss mit besonderer Sorgfalt vorgegangen werden. Daher müssen solche Geräte im Hinblick auf die EMV gemäß den Spezifikationen des Herstellers montiert bzw. verwendet werden. Gefahr von potentiellen elektromagnetischen Interferenzen mit anderen Geräten, vor allem solchen. Funkgeräte und mobile oder tragbare RF-Telekommunikationsgeräte (Mobiltelefone oder Wireless-Anschlüsse) könnten den Betrieb der elektromedizinischen Geräte stören. Für weitere Informationen besuchen Sie die Homepage www.flaemnuova.it. Das Medizingerät könnte, wenn andere Vorrichtungen für spezifische Diagnosen oder Behandlungen vorhanden sind, elektromagnetische Interferenzen erfahren. Flaem behält sich das Recht vor, ohne Vorkündigung technische und den Betrieb betreffende Änderungen am Produkt vorzunehmen.

ENTSORGUNG DES APPARATS



Entsprechend der Richtlinie 2012/19/EG zeigt das Symbol auf dem Gerät an, dass das Altgerät im getrennten Abfall entsorgt werden muss. Deswegen muss der Verbraucher das Altgerät an die von den lokalen Verwaltungszur Verfügung gestellten Rückgabe- und Sammelstellen abgeben (oder abgeben lassen) oder das Altgerät beim Kauf eines neuen gleichwertigen Gerätes an den Verkäufer zurückgeben. Die getrennte Sammlung des Altgerätes und seine Weiterbehandlung, Wiedergewinnung und Entsorgung fördert die Produktion von Geräten aus recyceltem Material und verhindert negative Auswirkungen auf die Umwelt und die Gesundheit, die durch die falsche Behandlung des Altgerätes verursacht werden können. Die vorschriftswidrige Entsorgung des Produkts durch einen Verbraucher kann die Verhängung von in den Umsetzungsgesetzen zur Richtlinie 2012/19/EG vorgesehenen Verwaltungsstrafen von Seiten des Mitgliedsstaats, in welchem das Produkt entsorgt wurde, nach sich ziehen.

RECYCLING ENTSORGUNG DER VERPACKUNG



Produktbox



Produktverpackungsbeutel und Schlauchverpackungsbeutel



Schrumpffolie für Zubehör

NebuFlaem^{4.0}

Mod. CONDOR F2000

APPAREIL POUR AÉROSOLTHÉRAPIE

Nous vous remercions pour votre achat et la confiance que vous nous accordez. Notre objectif est la totale satisfaction de nos clients en leur offrant des produits à l'avant-garde pour le traitement des maladies des voies respiratoires. **Veillez lire attentivement ces instructions et les conserver pour de futures consultations.**

Utiliser l'accessoire uniquement comme décrit dans ce manuel. Ceci est un dispositif médical pour usage domestique prévu pour nébuliser et administrer des médicaments prescrits et recommandés par votre médecin qui a évalué les conditions générales du patient. Nous vous rappelons que toute la gamme de produits Flaem est visible sur le site internet www.flaem.it

LA DOTATION DE L'APPAREIL COMPREND :

A - Appareil pour aérosol (unité principale)

- A1 - Interrupteur
- A2 - Prise d'air
- A3 - Filtre à air
- A4 - Porte-nébuliseur
- A5 - Poignée pour le transport
- A6 - Compartiment du câble
- A7 - Câble d'alimentation

B - Tube de raccordement (unité principale / nébuliseur)

C - Accessoires

- C1 - Nébuliseur RF9**
 - C1.1 - Régulateur de granulométrie complet
 - C1.1a - Régulateur
 - C1.1b - Valve
 - C1.1c - Sélecteur
 - C1.2 - Partie supérieure
 - C1.3 - Buse
 - C1.4 - Partie inférieure
- C2 - Embout buccal avec valve
 - C2.1 - Valve expiratoire
- C3 - Embout nasal non invasif
- C4 - Masque SoftTouch pour adulte
- C5 - Masque SoftTouch pour enfant
- C6 - Commande manuelle de nébulisation

FRANÇAIS

⚠ AVERTISSEMENTS IMPORTANTS

- Ce est un dispositif destiné à être utilisé directement par le patient.
- Avant la première utilisation et périodiquement pendant le cycle de vie du produit, contrôler l'intégrité de la structure de l'appareil et du câble d'alimentation afin de vous assurer de son bon état ; le cas échéant, ne pas brancher l'appareil et reporter immédiatement le produit auprès d'un centre d'assistance agréé FLAEM ou auprès de votre revendeur de confiance.
- Si votre dispositif ne fournit pas les performances escomptées, contacter le centre d'assistance agréé pour obtenir des éclaircissements.
- La durée de vie moyenne prévue des accessoires est de 1 an ; il est tout de même conseillé de remplacer le nébuliseur tous les 6 mois en cas d'usages intensifs (ou avant si le nébuliseur est obstruée) afin de garantir en permanence le maximum de l'efficacité thérapeutique.
- En présence d'enfants et de personnes non autonomes, l'appareil doit être utilisé sous le contrôle strict d'un adulte ayant pris connaissance du présent manuel.
- Certains composants de l'appareil sont tellement petits qu'ils pourraient être avalés par des enfants ; conserver donc l'appareil hors de la portée des enfants.
- Ne pas utiliser les tuyaux et les câbles fournis pour un usage autre que celui prévu ; ceux-ci pourraient provoquer des dangers d'étranglement. Faire particulièrement attention aux enfants et aux personnes ayant certaines difficultés car, très souvent, ces personnes ne sont pas en mesure de bien évaluer les risques.
- Cet appareil n'est pas adapté à un usage en présence de mélanges anesthésiques inflammables avec l'air, l'oxygène ou le protoxyde d'azote.
- Garder toujours le câble d'alimentation loin des surfaces chaudes.
- Garder le câble d'alimentation loin des animaux (par exemple, des rongeurs), puisqu'ils pourraient endommager l'isolation du câble d'alimentation.
- Ne pas manipuler l'appareil en ayant les mains mouillées. Ne pas utiliser l'appareil dans des pièces humides, lorsque vous prenez un bain ou une douche par exemple. Ne pas immerger l'appareil dans l'eau ; si cela devait se produire, débrancher immédiatement la prise. Ne pas essayer de retirer l'appareil de l'eau ou de le toucher, débrancher avant tout la prise. Apporter l'appareil tout de suite dans un centre d'assistance agréé FLAEM ou chez votre revendeur de confiance.
- N'utiliser l'appareil que dans des milieux sans poussière, sinon la thérapie pourrait être compromise.
- Ne pas laver l'appareil à l'eau courante ou par immersion et garder l'appareil à l'abri des éclaboussures d'eau ou de tout autre liquide.
- Ne pas exposer l'appareil à des températures extrêmes.
- Ne pas placer l'appareil près des sources de chaleur, à la lumière du soleil ou dans des pièces trop chaudes.

- Ne pas obstruer et ne pas introduire d'objets dans le filtre ni dans son logement prévu dans l'appareil.
- Ne jamais obstruer les trous d'aération positionnés des deux côtés de l'appareil.
- Toujours le faire fonctionner sur une surface rigide et sans obstacle.
- Contrôler qu'il n'y ait pas de matériel qui bouche les fentes d'aération avant chaque utilisation.
- Ne pas insérer d'objet à l'intérieur des trous d'aération.
- Les réparations, y compris le remplacement du câble d'alimentation, doivent être effectuées uniquement par le personnel FLAEM, en suivant les informations fournies par le fabricant.
- La durée de vie moyenne prévue des groupes de compresseurs est de : F400 : 400 heures, F700 : 700 heures, F1000 : 1 000 heures, F2000 : 2 000 heures.
- ATTENTION : Ne pas modifier cet appareil sans l'autorisation du fabricant.
- Le Fabricant, le Vendeur et l'Importateur se considèrent responsables quant aux effets de la sécurité, fiabilité et prestations seulement si : a) l'appareil est utilisé conformément aux instructions d'utilisation b) l'installation électrique du milieu dans lequel l'appareil est utilisé est aux normes et est conforme aux lois en vigueur.
- Interactions : les matériaux utilisés en contact avec les médicaments ont été testés avec une large gamme de médicaments. Cependant, il n'est pas possible d'exclure d'éventuelles interactions, vu la variété et l'évolution continue des médicaments. Il est conseillé de prendre le médicament le plus rapidement possible une fois qu'il est ouvert et d'éviter les expositions prolongées avec le nébuliseur.
- Contacter le Fabricant afin de lui communiquer tout problème ou événement inattendu lié au fonctionnement de l'appareil, et si des éclaircissements étaient nécessaires quant à l'utilisation, à l'entretien ou au nettoyage.
- Interactions : Les matériaux utilisés dans le D.M. sont des matériaux biocompatibles qui respectent les réglementations impératives de la Directive 93/42 CE et mod. suiv., toutefois, il est impossible d'exclure complètement des réactions allergiques possibles.
- Le temps nécessaire pour passer des conditions de conservation à celles de fonctionnement est de 2 heures environ.

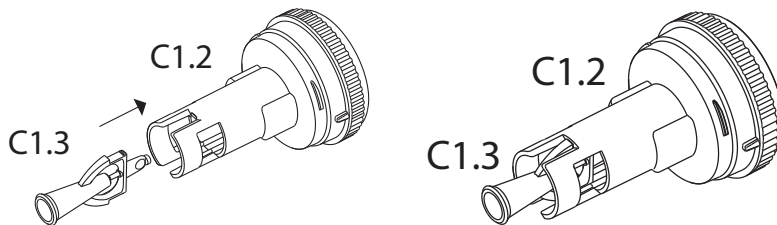
Avantages de la protection BioCote

Le boîtier de NebulFlaem 4.0 est réalisé en ABS mélangé à l'additif antimicrobien BioCote®, qui assure la protection de la surface 24 heures sur 24 en exerçant en permanence une action antibactérienne, antifongique et antivirale. Stockez les accessoires dans un milieu plus sûr.

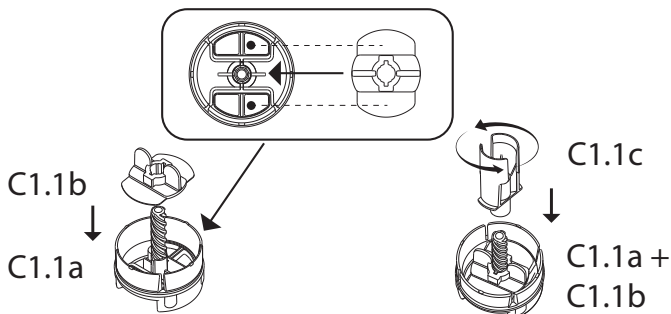
ASSEMBLAGE DU NÉBULISEUR

Suivre les instructions d'assemblage ci-dessous.

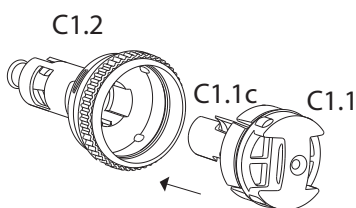
1. Assembler la buse (C1.3) sur la partie supérieure (C1.2).



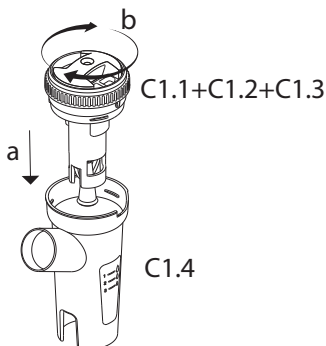
2. Positionner la vanne (C1.1b) sur le régulateur de granulométrie (C1.1a) avec le côté plat orienté vers le bas et aligner le trou sur les nervures de positionnement, puis visser à fond le sélecteur (C1.1c) sur la tige filetée du régulateur. Tourner le régulateur assemblé pour s'assurer qu'il tourne librement et que le sélecteur se lève et descend d'une position à l'autre.



3. Insérez et appuyez à fond sur le régulateur de taille de particules précédemment assemblé (C1.1), en le maintenant en position horizontale, dans la partie supérieure (C1.2), en faisant correspondre les cloisons de sélection (C1.1c) avec l'évidement du partie supérieure (C1.2).



4. Insérer la partie supérieure assemblée (C1.1+C1.2+C.13) dans la partie inférieure (C1.4) et l'accrocher en la tournant dans le sens des aiguilles d'une montre.



MODES D'UTILISATION DU NÉBULISER RF9 AVEC RÉGULATEUR DE GRANULOMÉTRIE ET SYSTÈME À VALVE

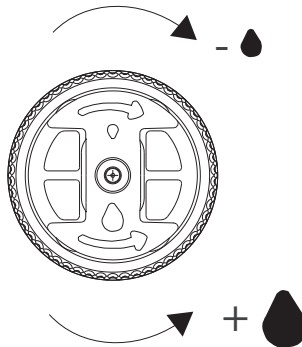
Professionnel, rapide, indiqué pour l'administration de tous les types de médicaments même chez les patients atteints de pathologies chroniques. Le système à valve optimise la distribution du médicament nébulisé vers le patient et limite sa dispersion dans l'environnement. Grâce au régulateur de granulométrie, il est également possible de sélectionner la dimension des particules nébulisées en fonction de la zone de l'appareil respiratoire à laquelle le traitement s'adresse. En fait, avec les 4 modes possibles, le nébuliseur peut distribuer des particules de différentes dimensions:

APPAREIL RESPIRATOIRE	VOIES RESPIRATOIRES SUPÉRIEURES	VOIES RESPIRATOIRES INFÉRIEURES		
	Tractus oropharyngé	Tractus trachéobronchique	Tractus pulmonaire	Tractus périphérique
CONFIGURATION NÉBULISSEUR	Sans Sélecteur	Sélecteur en position 1	Sélecteur en position 2	Sélecteur en position 3
MMAD (µm)	5,80 ⁽³⁾	4,67 ⁽¹⁾	3,62 ⁽¹⁾	2,56 ⁽¹⁾
Vitesse (ml/min')	0,75 ⁽²⁾	0,54 ⁽²⁾	0,51 ⁽²⁾	0,38 ⁽²⁾
Fraction respirable < 5 µm (FPF)	40,3 ⁽³⁾	54,4 ⁽¹⁾	66,3 ⁽¹⁾	82,2 ⁽¹⁾

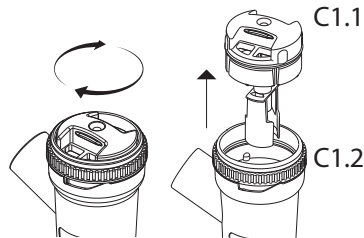
(1) Caractérisation in vitro réalisée par TÜV Rheinland Italia S.r.l. en collaboration avec l'Université de Parme et en conformité avec la norme européenne pour les équipements d'aérosolthérapie EN 13544-1:2007 + A1. De plus amples détails sont disponibles sur demande. (2) Data measured according to Flaem I29-P07.5 internal procedure Dispensing speed values may vary according to the patient's respiratory capacity. More details are available on request. (3) Data calculated on the basis of the values obtained with Malvern Spraytec, and compared with the values of the tests performed at the University of Parma.

Sélectionner la position souhaitée à l'aide du régulateur de granulométrie C1.1.

En tournant le régulateur dans le sens des aiguilles d'une montre, le sélecteur (C1.1c) se déplace en fermant l'ouverture qui s'ouvre en tournant le régulateur dans le sens contraire des aiguilles d'une montre.



Pour utiliser le nébuliseur sans sélecteur, tenir fermement le corps de le nébuliseur et, de l'autre main, tourner le régulateur de granulométrie (C1.1) dans le sens des aiguilles d'une montre jusqu'à ce qu'il ne soit éjecté de la partie supérieure (C1.2).



INSTRUCTIONS D'UTILISATION

Avant chaque utilisation, se laver soigneusement les mains et nettoyer l'appareil, comme décrit au paragraphe « NETTOYAGE, ASSAINISSEMENT, DÉSINFECTION ». Le nébuliseur et les accessoires sont uniquement à usage personnel afin d'éviter les risques éventuels d'infection par contagion. Lors de l'application, il est conseillé de se protéger de façon appropriée contre les écoulements éventuels. Cet appareil est approprié à l'administration de substances médicamenteuses et non, pour lesquelles est prévue l'administration par aérosol, ces substances doivent être de toute façon prescrites par le médecin. En présence de substances trop denses, il pourrait être nécessaire de diluer avec une solution physiologique appropriée, selon la prescription médicale.

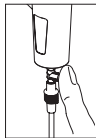
1. Introduire le câble d'alimentation (A7) dans une prise du réseau électrique correspondant à la tension de l'appareil. Celle-ci doit être placée de façon à ce la déconnexion du réseau électrique soit facilitée.
2. Versez le médicament prescrit par le médecin dans la partie inférieure (C1.4). Introduire la partie supérieure (C1.1+C1.2+C1.3) de le nébuliseur dans la partie inférieure (C1.4), fermer le nébuliseur en tournant la partie supérieure (C1.2) dans le sens des aiguilles d'une montre. Fermez le nébuliseur en tournant la partie supérieure (C1.2) dans le sens horaire.
3. Assembler les accessoires, comme indiqué sur le "Schéma de connexion" en couverture.
4. Régler le sélecteur du nébuliseur pour la granulométrie souhaitée, comme indiqué dans le paragraphe **MODES D'UTILISATION DU NÉBULISSEUR RF9 AVEC RÉGULATEUR DE GRANULOMÉTRIE ET SYSTÈME À VALVE**.
5. S'asseoir confortablement avec le nébuliseur dans la main, poser l'embout buccal sur la bouche ou bien utiliser l'embout nasal ou le masque. Si vous utilisez le masque, posez-le sur le visage, comme illustré à la figure (avec ou sans élastique).
6. Mettre en marche l'appareil en actionnant l'interrupteur (A1) et ensuite inspirer et expirer profondément. Après avoir inspiré, il est conseillé de retenir la respiration un instant de sorte que les petites gouttes d'aérosol inhalées puissent se déposer. Puis expirer lentement.
7. Une fois l'application achevée, éteindre l'appareil et débrancher la prise.



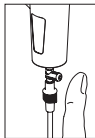
ATTENTION: Si, après la séance thérapeutique, un dépôt d'humidité se forme à l'intérieur du tube (B), détacher le tube du nébuliseur pour le sécher avec la ventilation du compresseur ; cette opération permet d'éviter la prolifération de moisissures à l'intérieur du tube.

UTILISATION DE LA COMMANDE MANUELLE DE NEBULISATION

Pour obtenir une nébulisation continue il est conseillé de ne pas appliquer la commande manuelle de nébulisation (C6), surtout avec des enfants ou des personnes qui ne sont pas autonomes. La commande manuelle de nébulisation est utile afin de limiter la dispersion du médicament dans l'environnement.

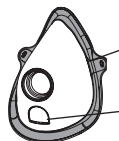


Pour activer la vaporisation, boucher le trou de la commande manuelle de vaporisation (C11) avec un doigt et inspirer doucement à fond; on conseille, après avoir inspiré, de retenir sa respiration un instant afin que les gouttes d'aérosol inhalées puissent se déposer;



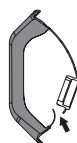
pour désactiver la vaporisation, retirer le doigt du trou de la commande manuelle de vaporisation; on évite ainsi de gaspiller le médicament et on optimise son acquisition. Ensuite, expirer lentement.

MASQUES SOFTTOUCH

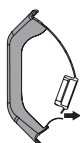


Un matériau souple et biocompatible
Limiteur de Dispersion

Les masques **SoftTouch** ont un bord externe réalisé en **matériau souple biocompatible** qui garantit une excellente adhérence au visage et, de plus, ils sont dotés d'un **élément innovant, le Limiteur de Dispersion**. Ces éléments spéciaux qui nous caractérisent, permettent une meilleure sédimentation du médicament chez le patient, et même dans ce cas, il en **limite sa dispersion**.



Lors de la phase inspiratoire, la languette servant de **Limiteur de Dispersion**, se plie vers l'intérieur du masque.



En expirant, la languette qui sert de **Limiteur de Dispersion**, se plie vers l'extérieur du masque.

NETTOYAGE, ASSAINISSEMENT, DÉSINFECTION, STÉRILISATION

Éteindre l'appareil avant toute opération de nettoyage et débrancher le câble de réseau de la prise.

APPAREIL (A) ET EXTÉRIEUR DU TUBE (B)

Utiliser uniquement un chiffon imbibé de détergent antibactérien (non abrasif et sans aucun solvant).

ACCESSOIRES

Pour démonter le nébuliseur RF9.

Pour démonter le nébuliseur, tenir fermement le corps de celle-ci et, de l'autre main, tourner le régulateur de granulométrie (C1.1) jusqu'à ce qu'il ne soit éjecté de la partie supérieure (C1.2) par effet du dévissage. Démonter ensuite les composants (régulateur C1.1a, vanne C1.1b, sélecteur C1.1c et partie supérieure C1.2) pour le nettoyage. La buse (C1.3) est montée par interférence dans la partie supérieure (C1.2), elle peut être enlevée tout simplement en la tirant vers l'extérieur.

Procéder ainsi en respectant les instructions rapportées ci-après.

NETTOYAGE EN ENVIRONNEMENT DOMESTIQUE - ASSAINISSEMENT ET DÉSINFECTION

ASSAINISSEMENT

Avant et après chaque utilisation, assainir le nébuliseur et les accessoires en choisissant l'une des méthodes décrites ci-après.

méthode A : Laver les accessoires **C1.1a-C1.1b-C1.1c-C1.2-C1.3-C1.4-C2-C3-C4-C5-C6** sous l'eau chaude potable (à environ 40 °C) avec un détergent délicat pour la vaisselle (non abrasif).

méthode B : Laver les accessoires **C1.1a-C1.1b-C1.1c-C1.2-C1.3-C1.4-C2-C3-C4-C5-C6** en lave-vaisselle sur le cycle chaud.

méthode C : Laver les accessoires **C1.1a-C1.1b-C1.1c-C1.2-C1.3-C1.4-C2-C3-C4-C5-C6** en les plongeant dans un mélange d'eau à 50% et 50% de vinaigre blanc ; rincer ensuite abondamment avec de l'eau chaude potable (à environ 40°).

Si l'on désire également DÉSINFECTER, suivre les indications du paragraphe DÉSINFECTION.

Après avoir assaini les accessoires, les secouer énergiquement et les poser sur une serviette en papier ou les faire sécher au moyen d'un jet d'air chaud (par exemple, sèche-cheveux).

DÉSINFECTION

Après avoir lavé le nébuliseur et les accessoires, les désinfecter en choisissant l'une des méthodes décrites ci-après.

méthode A : Les accessoires qu'il est possible de désinfecter sont **C1.1a-C1.1b-C1.1c-C1.2-C1.3-C1.4-C2-C3-C4-C5-C6** Utiliser un désinfectant du type chlore électrolytique (principe actif : hypochlorite de sodium), spécifique pour la désinfection et disponible dans toutes les pharmacies.

Exécution :

- Remplir un récipient dont les dimensions sont adaptées à contenir chaque composant à désinfecter avec une solution à base d'eau potable et de désinfectant, en respectant les doses indiquées sur l'emballage du désinfectant.
- Immerger complètement chaque composant dans la solution, en prenant soin d'éviter la formation de bulles d'air en contact avec les composants. Laisser les composants immergés pendant la durée indiquée sur l'emballage du désinfectant et associée à la concentration choisie pour la préparation de la solution.
- Retirer les composants désinfectés et les rincer abondamment à l'eau potable tiède.
- Éliminer la solution selon les indications fournies par le fabricant du désinfectant.

méthode B : Désinfecter les accessoires **C1.1a-C1.1b-C1.1c-C1.2-C1.3-C1.4-C2-C3-C4-C5-C6** en faisant bouillir dans de l'eau pendant 10 minutes ; utiliser de l'eau déminéralisée ou distillée pour éviter tout dépôt de calcaire.

méthode C : Désinfecter les accessoires **C1.1a-C1.1b-C1.1c-C1.2-C1.3-C1.4-C2-C3-C4-C5-C6** avec un stérilisateur à chaud pour biberon du type à vapeur (pas à micro-ondes). Respecter à la lettre les instructions du stérilisateur. Pour une désinfection efficace, choisir un stérilisateur avec un cycle de fonctionnement d'au moins 6 minutes.

Une fois que les accessoires sont désinfectés, les secouer énergiquement et les poser sur une serviette en papier ou les faire sécher au moyen d'un jet d'air chaud (par exemple, sèche-cheveux).

NETTOYAGE EN ENVIRONNEMENT CLINIQUE OU HOSPITALIER - DÉSINFECTION ET STÉRILISATION

Avant de désinfecter ou stériliser, laver l'ampoule et les accessoires en choisissant l'une des méthodes décrites ci-après.

méthode A : Laver les accessoires **C1.1a-C1.1b-C1.1c-C1.2-C1.3-C1.4-C2-C3-C4-C5-C6** sous l'eau chaude potable (à environ 40 °C) avec un détergent délicat pour la vaisselle (non abrasif).

méthode B : Laver les accessoires **C1.1a-C1.1b-C1.1c-C1.2-C1.3-C1.4-C2-C3-C4-C5-C6** en lave-vaisselle sur le cycle chaud.

DÉSINFECTION

Les accessoires qu'il est possible de désinfecter sont **C1.1a-C1.1b-C1.1c-C1.2-C1.3-C1.4-C2-C3-C4-C5-C6**.

Utiliser un désinfectant du type chlore électrolytique (principe actif : hypochlorite de sodium), spécifique pour la désinfection et disponible dans toutes les pharmacies.

Exécution :

- Remplir un récipient dont les dimensions sont adaptées à contenir chaque composant à désinfecter avec une solution à base d'eau potable et de désinfectant, en respectant les doses indiquées sur l'emballage du désinfectant.
- Immerger complètement chaque composant dans la solution, en prenant soin d'éviter la formation de bulles d'air en contact avec les composants. Laisser les composants immergés pendant la durée indiquée sur l'emballage du désinfectant et associée à la concentration choisie pour la préparation de la solution.
- Retirer les composants désinfectés et les rincer abondamment à l'eau potable tiède.
- Éliminer la solution selon les indications fournies par le fabricant du désinfectant.

Si vous désirez aussi STÉRILISER suivre les instructions du paragraphe STÉRILISATION

Après avoir désinfecté les accessoires, les secouer énergiquement et les poser sur une serviette en papier ou les faire sécher au moyen d'un jet d'air chaud (par exemple, sèche-cheveux).

STÉRILISATION

Les accessoires qu'il est possible de désinfecter sont **C1(Nébuliseur assemblé)-C2-C3-C4-C5-C6**.

Appareil : Stérilisateur à vapeur à vide fractionné et surpression conforme à la norme EN 13060.

Exécution : Emballer chaque composant à traiter en système ou emballage à barrière stérile conforme à la norme EN 11607. Introduire les composants emballés dans le stérilisateur à vapeur. Effectuer le cycle de stérilisation en respectant le mode d'emploi de l'appareil et en sélectionnant une température de 134 °C et une durée de 10 minutes.

Conservation : Conserver les composants stérilisés comme indiqué par les instructions d'utilisation du système ou emballage à barrière stérile.

La procédure de stérilisation est validée conformément au règlement ISO 17665-1.

Après chaque utilisation, ranger le dispositif avec ses accessoires dans un endroit sec, à l'abri de la poussière.

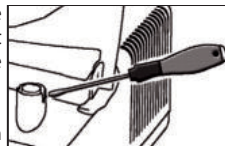
FILTRAGE DE L'AIR

L'appareil est doté d'un filtre d'aspiration (A3) à remplacer lorsqu'il est sale ou qu'il change de couleur. Ne pas laver ni réutiliser le même filtre. Le remplacement régulier du filtre est nécessaire afin d'assurer de bonnes prestations au compresseur. Le filtre doit être contrôlé régulièrement.

Pour remplacer le filtre :

Introduire un tournevis plat entre le bord du filtre et le corps. Soulever le filtre et l'extraire en tournant et en tirant vers le haut. Le filtre a été réalisé de manière à toujours être fixé dans son logement. Ne pas remplacer le filtre durant l'utilisation.

Utiliser uniquement des accessoires et des pièces de rechange originaux Flaem, on décline toute responsabilité si des pièces de rechange ou des accessoires non originaux sont utilisés.



IDENTIFICATION DES PANNES

Éteignez l'appareil avant toute procédure et débranchez le câble d'alimentation de la prise.

PROBLÈME	CAUSE	SOLUTION
L'appareil ne fonctionne pas	Câble d'alimentation pas correctement branché dans la prise du réseau	Insérer correctement le câble d'alimentation dans les prises
L'appareil ne nébulise pas ou nébulise peu	Le médicament n'a pas été introduit dans le nébuliseur	Verser la juste quantité de médicament dans le nébuliseur.
	Le nébuliseur n'a pas été monté correctement.	Démonter et remonter le nébuliseur correctement, comme illustré par le schéma de connexion en couverture.
	La buse du nébuliseur est obstruée	Démonter le nébuliseur, retirer la buse et procéder aux opérations de nettoyage. Ne pas nettoyer le nébuliseur pour enlever les dépôts de médicament en compromet son efficacité et son fonctionnement. Respectez scrupuleusement les instructions du chapitre «NETTOYAGE, ASSAINISSEMENT, DÉSINFECTION»
	Le tube à air n'est pas raccordé correctement à l'appareil	Vérifier le raccordement correct entre la prise air de l'appareil et les accessoires (voir schéma de connexion en couverture).
	Le tube à air est plié ou endommagé ou bien tordu	Déranger le tube et vérifier qu'il ne soit pas écrasé ou troué. Si c'est le cas, remplacez-le.
	Le filtre à air est sale	Remplacer le filtre
L'appareil est plus bruyant que d'habitude	Le filtre n'est pas introduit correctement dans son logement	Introduire correctement et à fond le filtre dans son logement
Si, après avoir vérifié les conditions susmentionnées, le dispositif ne devait pas fonctionner correctement, veuillez-vous adresser à votre revendeur de confiance ou au centre d'assistance agréé FLAEM le plus proche.		

SYMBOLES


 Marquage CE médical réf. Dir. 93/42 CEE et mises à jour successives


 Appareil de classe II


 Attention, contrôlez les instructions pour l'utilisation

 Interrupteur fonctionnel éteint


 Interrupteur fonctionnel allumé

 En conformité à: Norme Européenne EN 10993-1 "Évaluation biologique des dispositifs médicaux" et à la Directive Européenne 93/42/EEC "Dispositifs Médicaux". Sans phtalate. Conformément à Reg. (CE) n.1907/2006

 Température ambiante minimale et maximale

 Pression atmosphérique minimale et maximale


 Numéro de série de l'appareil

 Fabricant

 Partie appliquée de type BF

 Courant alternatif

IP21 Degré de protection de l'emballage: IP21. (Protégé contre des corps solides de dimensions supérieures à 12 mm. Protégé contre l'accès avec un doigt. Protégé contre la chute verticale de gouttes d'eau).

 Humidité de l'air minimum et maximum

CARACTÉRISTIQUES TECHNIQUES

Mod. Appareil CONDOR F2000

Alimentation:	230V~ 50Hz 210VA	115V~ 60Hz	220V~ 60Hz	100V~50/60Hz
---------------	------------------	------------	------------	--------------

Pression Max:	3,5 ± 0,5 bar
Débit d'air au compresseur:	14 l/min environ
Bruit (à 1 m):	55 dB (A) environ
Fonctionnement:	Continu

Conditions d'exercice:

Température:	min 10°C; max 40°C
RH Humidité air:	min 10%; max 95%
Pression atmosphérique:	min 69KPa; max 106KPa

Conditions de stockage:

Température:	min -25°C; max 70°C
RH Humidité air:	min 10%; max 95%
Pression atmosphérique:	min 69KPa; max 106KPa

Dimensions (L)x(P)x(H):	20x29,5x10 cm
-------------------------	---------------

Poids:	2,400 Kg
--------	----------

PARTIES APPLIQUEES

Les parties appliquées de type BF sont: (C2, C3, C4, C5)

Nébuliseur RF9

Capacité minimum médicament:	2 ml
Capacité maximum médicament:	8 ml
Pression d'exercice (avec nébuliseur):	1,30 bar

COMPATIBILITE ELECTROMAGNETIQUE:

Cet appareil a été étudié pour satisfaire les conditions actuellement requises pour la compatibilité électromagnétique (EN 60 601-1-2). Les dispositifs électromédicaux demandent un soin particulier, durant l'installation et l'utilisation, concernant les exigences CEM, il est donc demandé que ces dispositifs soient installés et/ou utilisés en accord avec ce qui a été spécifié par le fabricant. Risque d'interférences électromagnétiques potentielles avec d'autres dispositifs. Les dispositifs de radio et de télécommunication mobiles ou portables RF (téléphones portables ou connexions wireless) pourraient interférer avec le fonctionnement des dispositifs électromédicaux. Pour plus d'informations visitez notre site internet www.flaemnuova.it. L'Équipement médical pourrait être susceptible d'interférence électromagnétique en présence d'autres dispositifs utilisés pour des diagnostics ou des traitements spécifiques. Nous nous réservons le droit d'apporter des modifications techniques et fonctionnelles au produit sans aucun préavis.

ÉLIMINATION:



Conformément à la Directive 2012/19/CE, le symbole présent sur l'appareil indique que l'appareil à éliminer est considéré comme déchet, et doit donc être soumis au "tri sélectif". L'utilisateur devra donc confier lui-même (ou par intermédiaire) ce déchet aux centres de tri sélectif mis en place par les administrations locales, ou bien le remettre au vendeur lors de l'achat d'un nouvel appareil du même type. Le tri sélectif du déchet et les opérations de traitement successives, récupération et élimination, favorisent la production d'appareils fabriqués avec des matériaux recyclables et limitent les effets négatifs sur l'environnement et sur la santé causés par une éventuelle mauvaise gestion du déchet. L'élimination abusive du produit de la part de l'utilisateur comporte l'application des éventuelles sanctions administratives prévues par les lois de mise en oeuvre de la Dir. 2012/19/CE de l'État membre européen dans lequel le produit est éliminé.

♻️ ÉLIMINATION DE L'EMBALLAGE



Boîte de produit



Sac d'emballage de produit et
sac d'emballage de tube



Film d'accessoires thermorétractable



Mod. CONDOR F2000

APPARAAT VOOR AEROSOLTHERAPIE

Wij zijn verheugd met uw aankoop en danken u voor het vertrouwen. Ons doel is de volledige tevredenheid van onze klanten en daarom bieden wij hun producten van de nieuwste generatie aan voor de behandeling van aandoeningen van de luchtwegen. **Lees aandachtig deze instructies en bewaar ze om ze later te kunnen raadplegen. Gebruik het apparaat uitsluitend zoals beschreven in deze handleiding.**

Dit is een apparaat voor huishoudelijk voor het vernevelen en toedienen van geneesmiddelen die voorgeschreven of aanbevolen zijn door de arts die de algemene condities van de patiënt beoordeelde.

De volledige reeks producten van Flaem is aanwezig op de website www.flaem.it.

DE VERPAKKING BEVAT:

A - Apparaat voor aerosol (hoofdeenheid)

- A1 - Schakelaar
- A2 - Luchtinlaat
- A3 - Luchtfilter
- A4 - Houder van vernevelaar
- A5 - Transportgreep
- A6 - Kabelruimte
- A7 - Voedingskabel

B - Connection tube (main unit)

C -Accessories

C1 - Vernevelaar RF9

- C1.1 - Complete granulometrieregelaar
 - C1.1a - Regelaar
 - C1.1b - Klep
 - C1.1c - Keuzeschakelaar
- C1.2 - Bovenste deel
- C1.3 - Spruitstuk
- C1.4 - Onderste deel

C2 - Mondstuk met ventiel

- C2.1 - Uitademingsventiel

C3 - Niet-invasief neusstuk

C4 - SoftTouch masker voor volwassenen

C5 - SoftTouch masker voor kinderen

C6 - Handmatige bediening vernevelaar

NERLANDS

⚠ BELANGRIJKE AANWIJZINGEN

- Dit Medisch Hulpmiddel is ook bestemd om rechtstreeks door de patiënt gebruikt te worden.
- De structuur van het apparaat en de stroomtoevoerkabel moeten voor het eerste gebruik en tijdens de volledige levensduur van het apparaat regelmatig gecontroleerd worden om na te gaan of ze niet zijn beschadigd; bij schade de stekker niet in het stopcontact steken maar het product onmiddellijk naar een geautoriseerd servicecentrum van FLAEM of naar uw verkoper brengen.
- Als uw apparaat niet aan de prestaties voldoet, neem dan contact op met het geautoriseerde assistentiecentrum voor opheldering.
- De gemiddelde levensduur van de accessoires is 1 jaar. Het is in elk geval aanbevolen de ampul bij een intensief gebruik (of wanneer ze verstopt is) om de 6 maanden te vervangen om altijd borg te staan voor de maximale therapeutische doeltreffendheid.
- In aanwezigheid van kinderen en personen die niet autonoom zijn, moet het apparaat gebruikt worden onder het strikt toezicht van een volwassene die deze handleiding gelezen heeft.
- Sommige componenten van het apparaat zijn zodanig klein dat ze door kinderen ingeslikt kunnen worden; bewaar het apparaat dus buiten het bereik van kinderen.
- Gebruik de meegeleverde leidingen en kabels niet buiten het voorzien gebruik, want dit kan gevaar voor verstikking inhouden. Let vooral op kinderen en personen die in moeilijkheden verkeren en de gevaren niet correct kunnen inschatten.
- Dit toestel is niet geschikt voor gebruik indien ontvlambare anesthesiemengsels met lucht, zuurstof of distikstofoxide aanwezig zijn.
- Houd de voedingskabel altijd uit de buurt van warme oppervlakken.
- Houd de stroomtoevoerkabel uit de buurt van dieren (bv. knaagdieren) zodat deze de isolering van de kabel niet kunnen beschadigen.
- Hanteer het apparaat niet met natte handen. Gebruik het apparaat niet in vochtige omgevingen (bv. tijdens het baden of douchen). Dompel het apparaat niet in het water; indien dit per toeval gebeurt moet de stekker onmiddellijk worden verwijderd. Haal het apparaat niet uit het water of raak het niet aan zonder eerst de stekker te verwijderen. Breng het onmiddellijk naar een geautoriseerd FLAEM servicecentrum of naar uw verkoper.
- Gebruik het apparaat uitsluitend in omgevingen waar geen stof aanwezig is omdat de behandeling anders zou kunnen mislukken.
- Spoel het apparaat niet onder stromend water of dompel het niet onder. Houd het uit de buurt van waterspetters en andere vloeistoffen.
- Stel het apparaat niet bloot aan bijzonder hoge temperaturen.

- Plaats het apparaat niet vlakbij een warmtebron, in zonlicht of in een te warme omgeving.
- De filter en de zitting van de filter in het apparaat mag niet worden afgedicht en er mogen geen voorwerpen ingebracht worden.
- Belemmer de verluchttingsopeningen niet aan de zijkanten van het apparaat.
- Laat het apparaat altijd werken op een hard oppervlak vrij van obstakels.
- Controleer voor elk gebruik of er geen materiaal aanwezig is dat de luchtspleten afdicht.
- Steek geen voorwerpen in de luchtspleten.
- De reparaties, inclusief de vervanging van de voedingskabel, moeten uitsluitend uitgevoerd worden door geautoriseerd personeel van FLAEM, volgens de informatie geleverd door de fabrikant.
- De gemiddelde levensduur van de compressors is: F400: 400 uren, F700: 700 uren, F1000: 1000 uren, F2000: 2000 uren.
- LET OP: Wijzig dit apparaat niet zonder goedkeuring van de fabrikant.
- De fabrikant, de verkoper en de importeur kunnen alleen verantwoordelijk worden gesteld voor de veiligheid, betrouwbaarheid en prestaties indien: a) het apparaat wordt gebruikt conform de gebruiksinstructies b) de elektrische installatie van het gebouw, waarin het apparaat wordt gebruikt, conform is met de van kracht zijnde normen.
- Interacties: de materialen gebruikt in contact met de geneesmiddelen zijn getest met een ruim gamma van geneesmiddelen. Gezien de verscheidenheid en de voortdurende evolutie van de geneesmiddelen, is het echter niet mogelijk om interacties uit te sluiten. We raden aan het geneesmiddel te gebruiken in een zo kort mogelijke tijd na opening van de verpakking, om langdurige blootstelling aan de ampul te voorkomen.
- Er moet contact met de fabrikant opgenomen worden om problemen en/of eventuele onverwachte gebeurtenissen mee te delen die verband houden met de werking en om zo nodig opheldering te vragen over het gebruik en/of het onderhoud/reiniging.
- Interacties: De materialen gebruikt in de D.M. zijn biocompatibele materialen die voldoen aan de voorschriften van de EG-Richtlijn 93/42 en daaropvolgende wijzigingen. Het is evenwel niet mogelijk alle mogelijke allergische reacties volledig uit te sluiten.
- Die tijd die nodig is om over te schakelen van de instandhoudingscondities op de bedrijfscondities bedraagt ongeveer 2 uren.

Voordelen van BioCote bescherming

De behuizing van de NebulFlaem 4.0 is vervaardigd van ABS gemengd met het antimicrobiële additief BioCote®, dat de oppervlakken 24 uur per dag beschermt en die permanent antibacteriële, antischimmel- en antivirale eigenschappen verstrekt. Berg accessoires op in een veiliger omgeving.

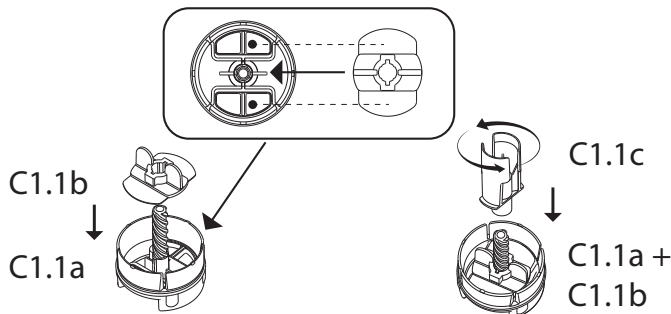
MONTAGE VAN DE NEBULIZER

Volg de hierna vermelde assemblage-instructies.

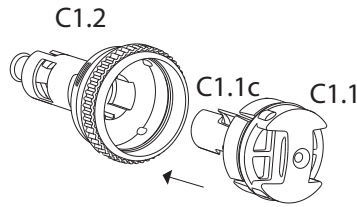
1. Monteer het mondstuk (C1.3) in de bovenkant (C1.2).



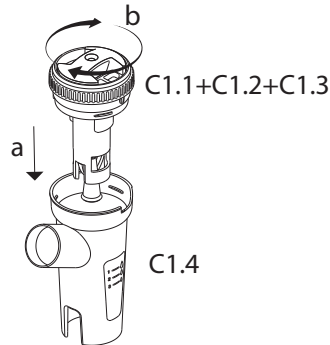
2. Breng de klep (C1.1b) in positie op de granulometrieregelaar (C1.1a) met de platte zijde omlaag en door het gat uit te lijnen met de positieribbels en schroef de keuzeschakelaar (C1.1c) vervolgens volledig vast op de schroefdraadpen van de regelaar. Draai de geassembleerde regelaar om te controleren of hij vrij draait en of de keuzeschakelaar tussen twee opeenvolgende posities omhoog en omlaag gaat.



3. Steek de eerder geassembleerde granulometrieregelaar (C1.1) in het bovenste deel (C1.2) en duw hem helemaal naar onder, laat daarbij de wanden van de keuzeschakelaar (C1.1c) samenvallen met de uitsparing van het bovenste deel (C1.2).

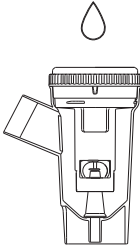
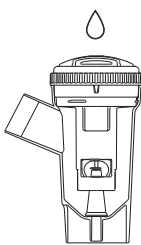
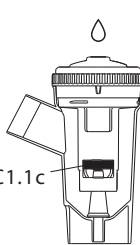
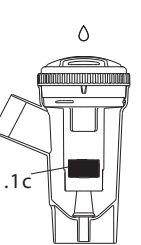


4. Steek het geassembleerde bovenste deel (C1.1+C1.2+C1.3) in het onderste deel (C1.4) en klik hem vast door hem rechtersom te draaien.



GEBRUIKSWIJZEN VAN DE VERNEVELAAR RF9 MET GRANULOMETRIEREGELAAR EN KLEPPENSYSTEEM

Professioneel, snel, geschikt voor de toediening van alle soorten geneesmiddelen, ook bij patiënten met chronische aandoeningen. Het kleppensysteem optimaliseert de afgifte van het geneesmiddel dat verneveld wordt in de richting van de patiënt en beperkt de dispersie ervan in de omgeving. Dankzij de granulometrieregelaar is het bovendien mogelijk de grootte van de vernevelde deeltjes te selecteren op grond van de zone van het ademhalingsstelsel waarvoor de therapie bestemd is. De ampul kan met de 4 modaliteiten namelijk deeltjes van verschillende afmetingen afgeven:

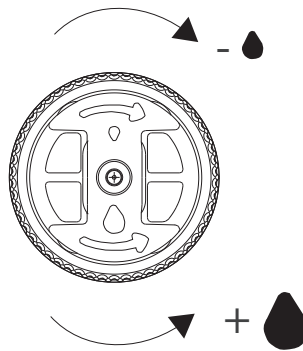
ADEMHALINGS WEGEN	BOVENSTE LUCHTWEGEN	ONDERSTE LUCHTWEGEN		
	Orofaryngeaal gedeelte	Tracheobronchiaal gedeelte	Pulmonaal gedeelte	Perifeer gedeelte
CONFIGURATIE AMPUL	Zonder Keuzeschakelaar	Keuzeschakelaar in positie 1	Keuzeschakelaar in positie 2	Keuzeschakelaar in positie 3
				
MMAD (µm)	5,80 ⁽³⁾	4,67 ⁽¹⁾	3,62 ⁽¹⁾	2,56 ⁽¹⁾
Snelheid (ml/min)	0,75 ⁽²⁾	0,54 ⁽²⁾	0,51 ⁽²⁾	0,38 ⁽²⁾
Respirabele fractie < 5 µm (FPF)	40,3 ⁽³⁾	54,4 ⁽¹⁾	66,3 ⁽¹⁾	82,2 ⁽¹⁾

(1) In vitro karakterisering uitgevoerd door TÜV Rheinland Italia S.r.l. in samenwerking met de Universiteit van Parma en in overeenstemming met de Europese Standaard voor apparaten voor aerosoltherapie Norm EN 13544-1:2007 + A1. Meer informatie is op aanvraag beschikbaar.

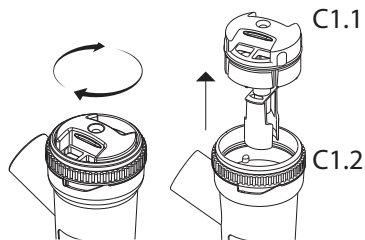
(2) Gegevens gemeten volgens interne procedure van Flaem I29-P07.5 De waarden van de Afgiftesnelheid kunnen variëren op grond van de ademhalingscapaciteit van de patiënt. Meer details zijn op aanvraag beschikbaar.

(3) Gegevens berekend op grond van de waarden die verkregen zijn met de Malvern Spraytec en vergeleken werden met de waarden van de testen die uitgevoerd zijn op de Universiteit van Parma

Selecteer de gewenste positie via de granulometrieregelaar C1.1. Door de regelaar rechtsom te draaien, wordt de keuzeschakelaar (C1.1c) verplaatst en sluit de opening. Deze gaat daarentegen open door de regelaar linksom te draaien.



Om de ampul zonder keuzeschakelaar te gebruiken, neemt u het hoofddeel van de ampul stevig vast en draait u de granulometrieregelaar (C1.1) met de andere hand rechtsom tot deze door het bovenste gedeelte (C1.2) uitgestoten wordt.



GEBRUIKSAANWIJZING

Vóór ieder gebruik moet u zorgvuldig uw handen wassen en het apparaat reinigen, zoals beschreven in de paragraaf "REINIGING, SANERING, DESINFECTIE". De ampul en de accessoires zijn uitsluitend voor persoonlijk gebruik, om elk risico van infecties en besmetting te voorkomen. Tijdens de behandeling is het aanbevolen om zich tegen eventuele druppels te beschermen. Dit apparaat is aangewezen voor het toedienen van geneesmiddelen en andere, waarvoor de toediening via aerosol voorzien is, en deze stoffen dienen in elk geval voorgeschreven te zijn voor de arts. In het geval van te dikke stoffen moet verdund worden met een gepaste fysiologische oplossing, voorgeschreven door de arts.

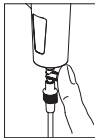
1. Steek de voedingskabel (A7) in een elektrisch stopcontact dat geschikt is voor de spanning van het apparaat. De plaats van het stopcontact mag de ont koppeling van het elektriciteitsnet niet bemoeilijken.
2. Giet het door de arts voorgeschreven geneesmiddel in het onderste deel (C1.4). Steek het bovenste deel (C1.1+C1.2+C1.3) van de ampul in het onderste deel (C1.4), sluit de ampul door het bovenste deel (C1.2) rechtsom te draaien. Sluit de vernevelaar door het bovenste deel (C1.2) met de wijsers van de klok mee te draaien.
3. Verbind de hulpstukken en raadpleeg hiervoor het "Verbindingschema" op de omslag.
4. Stel de keuzeschakelaar van de ampul in voor de gewenste granulometrie, zoals beschreven wordt in de paragraaf "GEBRUIKSWIJZEN VAN DE VERNEVELAAR RF9 MET GRANULOMETRIERE-
LAAR EN KLEPPENSYSTEEM".
5. Ga gemakkelijk neerzitten en houd de vernevelaar in de ene hand, plaats het mondstuk op uw mond of gebruik het neusstuk of het masker. Als u het masker gebruikt, moet u het op het gezicht aanbrengen, zoals getoond in de afbeelding (met of zonder gebruik van de elastiek).
6. Zet het toestel aan via de schakelaar (A1) en adem diep in en uit. Het is aanbevolen om na inhalatie de adem even in te houden zodat de druppels kunnen opgenomen worden. Adem langzaam uit.
7. Zet het toestel na de behandeling uit en haal de stekker uit het stopcontact.

LET OP: Wanneer er zich na de therapeutische sessie een duidelijke afzetting van vocht in de slang (B) vormt, moet u de slang van de vernevelaar loskoppelen en drogen met behulp van de ventilatie van de compressor; dit voorkomt de mogelijke ontwikkeling van schimmels in de slang.

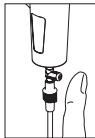


GEBRUIK VAN DE HANDMATIGE BESTURING VAN DE VERNEVELAAR

Voor een constante verneveling wordt aangeraden niet de handmatige besturing voor de vernevelaar (C6) te gebruiken, vooral in het geval van kinderen en niet zelfstandige volwassenen. De handmatige besturing van de verneveling is nuttig om de verspreiding van de medicatie in de omgeving te beperken.



Activeer de vernevelaar door de opening van de handmatige bediening (C11) met een vinger af te sluiten en adem langzaam diep in. We raden u aan om de adem een aantal tellen in te houden zodat de aerosoldruppels zich kunnen afzetten,



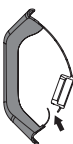
deactiveer ondertussen de verneveling door uw vinger van de opening van de handmatige bediening te halen, zodat u geen geneesmiddel verspilt en u de verwerving zoveel mogelijk optimaliseert. Adem vervolgens langzaam uit.

MASKERS SOFTTOUCH

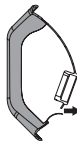


Zacht
materiaal
biocompatibel
Verspreidings-
begrenzer

De **SoftTouch** maskers hebben een buitenste rand uitgevoerd in **biocompatibel, zacht materiaal** dat een uitstekende aanhechting op het gezicht verzekerd en zijn bovendien uitgerust met een **innovatieve verspreidingsbegrenzer**. Deze kenmerkende elementen zorgen voor een betere opname van het geneesmiddel en ook in dit geval wordt de **verspreiding in de omgeving beperkt**.



Tijdens het inademen plooit het lipje, dat als **verspreidingsbegrenzer** werkt, naar de binnenzijde van het masker.



Tijdens het uitademen plooit het lipje, dat als **verspreidingsbegrenzer** werkt, naar de buitenzijde van het masker.

REINIGING, SANERING, DESINFECTIE EN STERILISATIE

Schakel het apparaat uit vóór elke reinigingsbeurt en ontkoppel de netkabel.

APPARAAT (A) EN BUITENKANT VAN DE BUIS (B)

Gebruik alleen een doek, bevochtigd met een antibacterieel reinigingsmiddel (niet schurend en zonder solventen).

ACCESSOIRES

Demonteer de RF9-vernevelaar.

Om de ampul te demonteren, neemt u de ampul stevig vast en draait u de granulometrieregelaar (C1.1) met de andere hand rechtsom tot deze door het bovenste gedeelte (C1.2) uitgestoten wordt als gevolg van het losschroeven. Vervolgens kan men de onderdelen demonteren (regelaar C1.1a, klep C1.1b, keuzeschakelaar C1.1c en bovenste gedeelte C1.2) om te reinigen. Het mondstuk (C1.3) is gemonteerd voor interferentie in het bovenste gedeelte (C1.2) en kan gemakkelijk naar buiten getrokken worden.

Vervolg op basis van de onderstaande instructies.

REINIGING THUIS - SANERING EN DESINFECTIE

SANERING

Saneer de ampul en de accessoires met een van de hierna beschreven methoden voor en na elk gebruik.

methode A: Saneer de accessoires **C1.1a-C1.1b-C1.1c-C1.2-C1.3-C1.4-C2-C3-C4-C5-C6** onder warm kraanwater (circa 40°C) met behulp van een mild afwasmiddel (niet schurend).

methode B: De accessoires **C1.1a-C1.1b-C1.1c-C1.2-C1.3-C1.4-C2-C3-C4-C5-C6** in de vaatwasser saneren met warme cyclus.

methode C: De accessoires **C1.1a-C1.1b-C1.1c-C1.2-C1.3-C1.4-C2-C3-C4-C5-C6** saneren door ze onder te dompelen in een oplossing van 50% water en 50% witte azijn, vervolgens overvloedig spoelen met warm kraanwater (circa 40°C). Ga rechtstreeks naar de paragraaf **DISINFECTIE** als u naast de reiniging ook de **DISINFECTIE** wenst uit te voeren.

Na het saneren van de accessoires, het water er goed afschudden en ze op keukenpapier leggen. Ze kunnen ook met warme lucht worden gedroogd (met een haardroger bij voorbeeld).

DESINFECTIE

Na het saneren de ampul en de accessoires met een van de hierna beschreven methoden ontsmetten.

methode A: De accessoires die u kunt desinfecteren zijn **C1.1a-C1.1b-C1.1c-C1.2-C1.3-C1.4-C2-C3-C4-C5-C6** Het te gebruiken ontsmettingsmiddel is geëlektrolyseerd bleekwater (werkzame stof: natriumhypochloriet), specifiek voor de desinfectie en verkrijgbaar bij de apotheek.

Uitvoering:

- Vul een recipiënt met geschikte afmetingen - om alle afzonderlijk te desinfecteren onderdelen te bevatten - met een oplossing op basis van leidingwater en een desinfectans en neem hierbij de verhouding in acht die op de verpakking van het desinfectans staat.
- Dompel elk afzonderlijk onderdeel volledig in de oplossing en zorg ervoor dat geen luchtballen op de onderdelen worden gevormd. Op de verpakking van het desinfectans staat hoe lang de onderdelen ondergedompeld moeten blijven, afhankelijk van de concentratie die voor de bereiding van de oplossing gekozen is.
- Haal na het verstrijken van de correcte tijd de onderdelen uit de oplossing en spoel ze overvloedig met lauw leidingwater.
- Verwijder de oplossing volgens de aanwijzingen van de fabrikant van het desinfectans.

methode B: Ontsmet de accessoires **C1.1a-C1.1b-C1.1c-C1.2-C1.3-C1.4-C2-C3-C4-C5-C6** door ze 10 minuten in water te koken; gebruik gedemineraliseerd of gedistilleerd water om kalkvorming te voorkomen.

methode C: Ontsmet de accessoires **C1.1a-C1.1b-C1.1c-C1.2-C1.3-C1.4-C2-C3-C4-C5-C6** warm met een stoomsterilisator voor babyflessen (geen microgolf). Volg hierbij zorgvuldig de instructies van de sterilisator. Voor een efficiënte sterilisatie moet u kiezen voor een cyclus van minstens 6 minuten.

Na het desinfecteren van de accessoires moet u het water er krachtig afschudden en ze op keukenpapier leggen. Ze kunnen ook met warme lucht worden gedroogd (bijvoorbeeld met een haardroger).

REINIGING IN VERPLEEGINRICHTINGEN - DISINFECTIE EN STERILISATIE

Voor de ampul en de accessoires te ontsmetten, moeten ze gesaneerd worden met een van de hierna beschreven methoden.

methode A: Saneer de accessoires **C1.1a-C1.1b-C1.1c-C1.2-C1.3-C1.4-C2-C3-C4-C5-C6** onder warm kraanwater (circa 40°C) met behulp van een mild afwasmiddel (niet schurend).

methode B: Saneer de accessoires **C1.1a-C1.1b-C1.1c-C1.2-C1.3-C1.4-C2-C3-C4-C5-C6** in de vaatwasser met warme cyclus.

DESINFECTIE

De accessoires die u kunt desinfecteren zijn **C1.1a-C1.1b-C1.1c-C1.2-C1.3-C1.4-C2-C3-C4-C5-C6**.

Het te gebruiken ontsmettingsmiddel is geëlektrolyseerd bleekwater (werkzame stof: natriumhypochloriet), specifiek voor de desinfectie en verkrijgbaar bij de apotheek.

Uitvoering:

- Vul een recipiënt met geschikte afmetingen - om alle afzonderlijk te desinfecteren onderdelen te bevatten - met een oplossing op basis van leidingwater en een desinfectans en neem hierbij de verhouding in acht die op de verpakking van het desinfectans staat.
- Dompel elk afzonderlijk onderdeel volledig in de oplossing en zorg ervoor dat geen luchtballen op de onderdelen worden gevormd. Op de verpakking van het desinfectans staat hoe lang de onderdelen ondergedompeld moeten blijven, afhankelijk van de concentratie die voor de bereiding van de oplossing gekozen is.
- Haal na het verstrijken van de correcte tijd de onderdelen uit de oplossing en spoel ze overvloedig met lauw leidingwater.
- Verwijder de oplossing volgens de aanwijzingen van de fabrikant van het desinfectans.

Ga rechtstreeks naar de paragraaf STERILISATIE als u tevens de STERILISATIE wenst uit te voeren

Na het desinfecteren van de accessoires moet u het water er krachtig afschudden en ze op keukenpapier leggen. Ze kunnen ook met warme lucht worden gedroogd (bijvoorbeeld met een haardroger).

STERILISATIE

De accessoires die u kunt desinfecteren zijn **C1 (gemonteerde nebulizer)-C2-C3-C4-C5-C6**.

Apparatuur Stoomsterilisator met gefractioneerd vacuüm en overdruk conform de norm EN 13060.

Uitvoering: Verpak elk afzonderlijk onderdeel in een systeem of verpakking met steriele barrière, conform de norm EN 11607. Doe de verpakte componenten in de stoomsterilisator. Voer de sterilisatiecyclus uit volgens de gebruiksaanwijzingen van het apparaat en selecteer een temperatuur van 134°C en een tijd van 10 minuten.

Bewaring: Bewaar de gesteriliseerde onderdelen zoals aangeduid wordt in de gebruiksinstructies van het gekozen systeem of in de verpakking met steriele barrière.

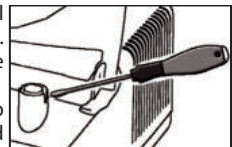
De sterilisatieprocedure gevalideerd volgens ISO 17665-1.

Na afloop van ieder gebruik moet het hulpmiddel compleet met accessoires opgeborgen worden op een droge plaats die bescherming tegen stof biedt.

LUCHTFILTERING

Het apparaat is voorzien van een aanzuigfilter (A3) die vervangen wordt wanneer hij vuil is of van kleur verandert. Dezelfde filter niet spoelen of opnieuw gebruiken of afwassen. De filter moet regelmatig worden vervangen om correcte prestaties van de compressor te verzekeren. De filter moet regelmatig gecontroleerd worden. Vervanging van de filter:

Steek een platte schroevendraaier tussen de rand van de filter en het lichaam. Til de filter op en verwijder hem door hem te draaien en naar boven toe te trekken. De filter is gerealiseerd om altijd vast in zijn zitting te blijven. De filter niet vervangen tijdens het gebruik. **Gebruik alleen originele accessoires en reserveonderdelen van Flaem, iedere aansprakelijkheid wordt afgewezen als niet-originele reserveonderdelen of accessoires gebruikt worden.**



STORINGEN OPSPOREN

Alvorens een interventie uit te voeren, moet men het apparaat uitzetten en de stekker van de stroomkabel uit het stopcontact halen

STORING	OORZAAK	OPLOSSING
Het apparaat werkt niet	Voedingskabel niet correct in het stopcontact van het stopcontact van de netvoeding ingebracht	Breng de voedingskabel correct in de stopcontacten
Het toestel vernevelt niet of vernevelt weinig	Het geneesmiddel werd niet in de vernevelaar ingebracht	Giet de juiste hoeveelheid geneesmiddel in de vernevelaar
	De vernevelaar is niet correct gemonteerd.	Demonteer en hermonteer de vernevelaar op de correcte manier, zoals op het verbindingsschema op de omslag.
	Het pijpje van de vernevelaar is verstopt	Demonteer de vernevelaar, verwijder het pijpje en maak schoon. Wanneer aanslag van het geneesmiddel niet uit de vernevelaar wordt verwijderd, kan dit de efficiëntie en de werking nadelig beïnvloeden. Houdt u strik aan de instructies in het hoofdstuk "REINIGING SANERING DESINFECTIE"
	De luchtslang is niet correct op het apparaat aangesloten	Controleer of de luctinlaat correct op de hulpstukken is aangesloten (zie verbindingsschema op de omslag).
	Het luchtpijpje is geplooid of beschadigd of verstrengeld	Ontrol de slang en controleer of er geen geplette delen of gaatjes zijn. Indien dit het geval is, moet men die vervangen.
	De luchtfilter is vuil	Vervang de filter
Het toestel maakt meer lawaai dan gewoonlijk	Het filter is niet correct in zijn zitting ingebracht	Steek de filter correct helemaal vast in zijn zitting
Alvorens een interventie uit te voeren, moet men het apparaat uitzetten en de stekker van de stroomkabel uit het stopcontact halen		

SYMBOLEN

 CE markering medische apparatuur Richtl. 93/42/EEG en wijzigingen

 Apparaat klasse II


 Let op, controleer de gebruiksinstructies


 Functieschakelaar uit

 Functieschakelaar aan





Conform: De Europese Norm EN 10993-1 "Biologische Beoordeling van medische apparatuur en de Europese Richtlijn 93/42/EEG "Medische Apparatuur". Ftalaat vrij. In overeenstemming met Reg. (CE) n. 1907/2006

 Minimum en maximum omgevingstemperatuur

 Minimum en maximum atmosferische druk


 SN Serienummer van het apparaat

 Fabrikant

 Type BF toegepast onderdeel

 Wisselstroom

IP21 Beschermingsgraad behuizing: IP21. (Beschermd tegen vaste deeltjes met een afmeting van minimum 12 mm. Toegang vingers niet mogelijk. Bescherming tegen verticaal vallende druppels).

 Luchtvochtigheid minimaal en maximaal

TECHNISCHE EIGENSCHAPPEN

Apparaat CONDOR F2000

Spanning:	230V~ 50Hz 210VA	115V~ 60Hz	220V~ 60Hz	100V~50/60Hz
-----------	------------------	------------	------------	--------------

Max. Druk: 3,5 ± 0,5 bar
Luchtdebiet naar compressor: approx 14 l/min
Geluid (op 1 m): 55 dB (A) approx
Continu gebruik

Gebruiksvoorwaarden:

Temperatuur: min 10°C; max 40°C
Luchtvochtigheid: min 10%; max 95%
Luchtdruk: min 69KPa; max 106KPa

Opslagvoorwaarden:

Temperatuur: min -25°C; max 70°C
Luchtvochtigheid: min 10%; max 95%
Luchtdruk: min 69KPa; max 106KPa

Afmetingen (L)x(B)x(H): 20x29,5x10 cm
Gewicht: 2,400 Kg

Toegepaste onderdelen

Toegepaste onderdelen type BF: (C2, C3, C4, C5)

Vernevelaar RF9

Minimum inhoud geneesmiddel: 2 ml
Maximum inhoud geneesmiddel: 8 ml
Bedrijfsdruk (met vernevelaar): 1,30 bar

ELEKTROMAGNETISCHE COMPATIBILITEIT

Dit apparaat werd ontworpen conform de huidige eisen voor elektromagnetische compatibiliteit (EN 60601-1-2). De medische elektrische apparaten vereisen bij de installatie en het gebruik speciale aandacht wat de EMC betreft. Het is dus noodzakelijk dat ze worden geïnstalleerd en gebruikt volgens de aanwijzingen van de fabrikant. Gevaar voor mogelijke elektromagnetische interferentie met andere apparaten. Mobiele of draagbare radio- en telecommunicatieapparatuur (mobiele telefoons of draadloze verbindingen) kunnen interfereren met de werking van medische elektrische apparaten. Surf naar onze website www.flaemnuova.it voor verdere informatie. Het Medische Hulpmiddel kan gevoelig zijn voor elektromagnetische interferentie als andere apparaten aanwezig zijn die gebruikt worden voor specifieke diagnoses of behandelingen. Flaem behoudt zich het recht voor zonder voorafgaande kennisgeving technische en functionele wijzigingen op het product aan te brengen.

VUILVERWERKING VAN HET APPARAAT



In overeenstemming met Richtlijn 2012/19/EG geeft het op het toestel aangebrachte symbool aan dat het toestel dat weggegooid moet worden, bestemd is voor "gescheiden vuilinzameling". De gebruiker moet genoemd afval naar een centrum voor de gescheiden vuilinzameling (laten) brengen, dat door de plaatselijk overheid daarvoor ingesteld is, of het toestel overhandigen aan de verkoper waar een nieuw, gelijkaardig toestel aangeschaft wordt.

De gescheiden vuilinzameling en de daaropvolgende behandeling, terugwinning en vuilverwerking bevorderen de productie van toestellen met gebruik van gerecycled materiaal en beperken de negatieve effecten op het milieu en de gezondheid die veroorzaakt worden door een eventueel onjuist beheer van het afval. Indien de gebruiker het product als vuil verwerkt en daarbij de wettelijke bepalingen overtreedt, zullen eventuele administratieve boetes opgelegd worden, zoals bepaald wordt door de wetten die Richtlijn 2012/19/EG regelen en die van kracht zijn in de Europese lidstaat waarin het product weggegooid wordt.

VERPAKKING VERWIJDEREN



Doos van het product



Warmte-krimpfolie voor accessoires



Verpakking van het product
zak en de buis verpakkingszak



Mod. CONDOR F2000 APARATO PARA AEROSOLTERAPIA

Gracias por la confianza que ha depositado en nosotros con la compra de este producto. Nuestro objetivo es lograr la total satisfacción de nuestros clientes, ofreciéndoles productos a la vanguardia en el tratamiento de las enfermedades de las vías respiratorias. **Lea atentamente estas instrucciones y guárdelas para consultas futuras. Utilice el accesorio solamente como se describe en este manual. Este es un dispositivo médico para uso doméstico que se usa para nebulizar y suministrar fármacos recetados o recomendados por su médico después de evaluar las condiciones generales del paciente.** Le recordamos que toda la gama de productos Flaem se puede visionar en la página de internet www.flaem.it.

LA DOTACIÓN DEL APARATO INCLUYE:

A - Aparato para aerosol (unidad principal)

- A1 - Interruptor
- A2 - Toma de aire
- A3 - Filtro de aire
- A4 - Porta nebulizador
- A5 - Manilla para el transporte
- A6 - Copartimento para recoger el cable
- A7 - Cable de alimentación

B - Aparato para aerosol (unidad principal)

C - Accesorios

C1 - Nebulizador RF9

- C1.1 - Regulador de granulometría completo
- C1.1a - Regulador
- C1.1b - Válvula
- C1.1c - Selector
- C1.2 - Pieza superior
- C1.3 - Inyector
- C1.4 - Pieza inferior C2 - Boquilla con válvula
- C2.1 - Válvula de expiración
- C3 - Nasal no invasivo
- C4 - Mascarilla SoftTouch adulto
- C5 - Mascarilla SoftTouch pediátrica
- C6 - Mando manual de nebulización

⚠ ADVERTENCIAS IMPORTANTES

- Este producto está destinado también para ser utilizado directamente por el paciente.
- Antes de utilizar el producto por primera vez, y periódicamente durante la vida útil del mismo, controle la integridad de la estructura del aparato y del cable de alimentación, para asegurarse de que no presenten daños. En caso de detectar daños, no lo conecte y lleve el producto de inmediato a un centro de asistencia autorizado FLAEM o a su revendedor de confianza.
- Si su producto no respetara las prestaciones, póngase en contacto con el centro de asistencia autorizado para recibir aclaraciones.
- La vida media prevista de los accesorios es de 1 año; de todas formas, se recomienda sustituir el nebulizador cada 6 meses en los usos intensivos (o antes, si el nebulizador está obstruida), para garantizar siempre la máxima eficiencia terapéutica.
- En presencia de niños y de personas no autosuficientes, el aparato se debe usar bajo la estricta supervisión de un adulto que haya leído este manual.
- Mantenga el aparato fuera del alcance de los niños, ya que algunos de sus componentes son tan pequeños que éstos podrían tragárselos.
- No utilice los tubos ni los cables suministrados con fines diferentes del previsto, y preste una atención especial en presencia de niños y personas con dificultades particulares, que no puedan evaluar adecuadamente los riesgos, puesto que dichos componentes representan un riesgo de estrangulación.
- Es un aparato que no debe utilizarse en presencia de mezclas anestésicas inflamables con aire, con oxígeno o con protóxido de nitrógeno.
- Mantenga siempre alejado el cable de alimentación de las superficies calientes.
- Mantenga alejado el cable de alimentación de los animales (como roedores), puesto que podrían estropear el aislamiento de éste.
- No manipule el equipo con las manos mojadas. No utilice el aparato en lugares húmedos (por ejemplo, mientras se toma un baño o una ducha). No sumerja el aparato en el agua; si esto llegara a ocurrir, desenchúfelo de inmediato. No extraiga ni toque el aparato sumergido en el agua; antes de hacer cualquier cosa, desenchúfelo. Llévelo de inmediato a un centro de asistencia autorizado FLAEM o a su revendedor de confianza.
- Utilice el aparato solo en lugares libres de polvo; de lo contrario, puede comprometerse la terapia.
- No lave el aparato bajo el grifo ni lo sumerja; protéjalo contra salpicaduras de agua u otros líquidos.
- No esponga el aparato a temperaturas extremas.
- No coloque el aparato cerca de fuentes de calor, ni expuesto a la luz del sol, ni en lugares demasiado calientes.
- No obstruya o introduzca objetos en el filtro ni en la ubicación del mismo en el aparato.
- No obstruya nunca las ranuras de ventilación de los dos costados del aparato.

- Hágalo funcionar siempre sobre una superficie rígida y sin obstáculos.
- Controle que no haya material que obstruya las ranuras de ventilación antes de cada uso.
- No introduzca ningún objeto dentro de las ranuras de ventilación.
- Las reparaciones, incluyendo la sustitución del cable de alimentación, las debe realizar solo personal autorizado por FLAEM, siguiendo las informaciones suministradas por el fabricante.
- La duración media prevista para las familias de compresores, es: F400: 400 horas, F700: 700 horas, F1000: 1000 horas, F2000: 2000 horas.
- ATENCIÓN: No modifique este aparato sin la autorización del fabricante.
- El fabricante, el vendedor y el importador se consideran responsables de la seguridad, fiabilidad y prestaciones, únicamente si: a) el aparato se ha utilizado en conformidad con las instrucciones de uso; b) la instalación eléctrica del lugar en el que se utiliza el aparato cumple con los requisitos contemplados por las leyes vigentes.
- Interacciones: los materiales utilizados en contacto con los fármacos se han probado con una amplia gama de fármacos. Sin embargo no es posible, a causa de la gran variedad y la evolución continua de los fármacos, no considerar posibles interacciones. Aconsejamos consumir el fármaco lo antes posible una vez abierto y evitar la exposición prolongada con el nebulizador.
- Las reparaciones, incluyendo la sustitución del cable de alimentación, las debe realizar solo personal autorizado por FLAEM, siguiendo las informaciones suministradas por el fabricante.
- Interacciones: Los materiales usados en el D.M. son materiales biocompatibles y respetan las reglamentaciones obligatorias de la Directiva 93/42 CE y sucesivas modificaciones, sin embargo no es posible excluir completamente reacciones alérgicas.
- El tiempo necesario para pasar de las condiciones de conservación a las de ejercicio, es de aproximadamente 2 horas.

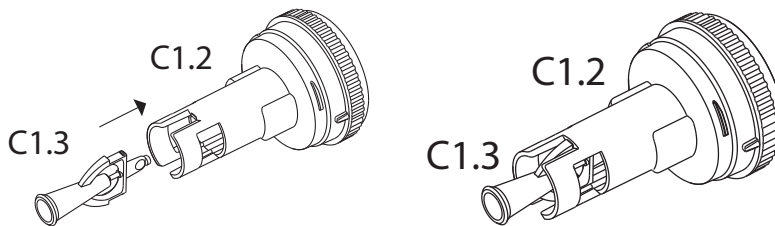
Ventajas de la protección BioCote

Las carcasas de NebulFlaem 4.0 están fabricadas de ABS mezclado con el aditivo antimicrobiano BioCote®, que hace que las superficies estén protegidas las 24 horas del día y proporciona permanentemente propiedades antibacterianas, antifúngicas y antivirales. Guarde los accesorios en un lugar más seguro.

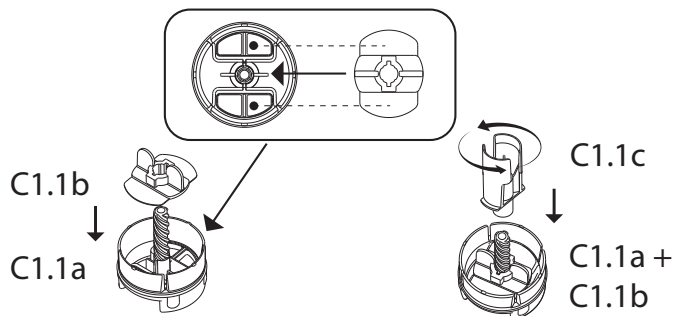
MONTAJE DEL NEBULIZADOR

Siga las instrucciones de montaje que se exponen a continuación.

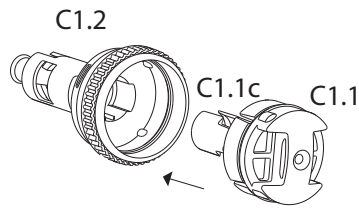
1. Monte la boquilla (C1.3) en la parte superior (C1.2).



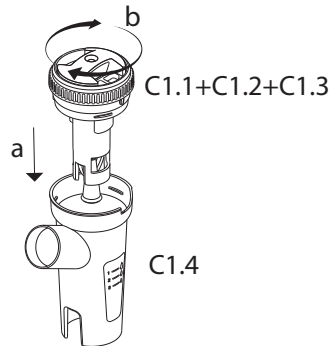
2. Coloque la válvula (C1.1b) en el regulador de granulometría (C1.1a) con el lado plano hacia abajo y alinee el orificio con los nervios de posición, a continuación, atornille el selector (C1.1c) en el perno roscado del regulador hasta en la parte inferior. Gire el regulador montado para asegurarse de que gire libremente y que el selector suba y baje entre una posición y la otra.



3. Inserte y presione hacia abajo el regulador de granulometría previamente montado (C1.1), manteniéndolo en posición horizontal, en la parte superior (C1.2), haciendo coincidir los mamparos del selector (C1.1c) con la cavidad de la parte superior (C1.2).



4. Inserte la parte superior montada (C1.1 + C1.2 + C1.3) en la parte inferior (C1.4) y engánchela girándola a derechas.



MODOS DE USO DEL NEBULIZADOR RF9 CON REGULADOR DE GRANULOMETRÍA Y SISTEMA DE VÁLVULAS

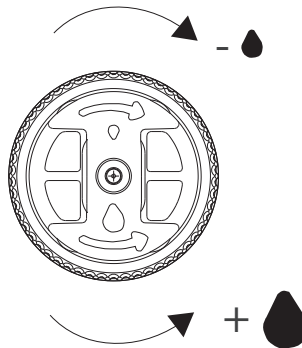
Es profesional, rápido e indicado para suministrar cualquier fármaco, incluso en pacientes con patologías crónicas. El sistema de válvulas optimiza la dispensación del fármaco nebulizado al paciente y limita su dispersión en el medioambiente. Además, gracias al regulador de granulometría, es posible seleccionar el tamaño de las partículas nebulizadas de acuerdo con el área del sistema respiratorio al que se dirige la terapia. Con los 4 modos posibles, de hecho, el nebulizador puede dispensar partículas de diferentes tamaños:

APARATO RESPIRATORIO	VÍAS ALTAS		VÍAS BAJAS	
	Tracto orofaríngeo	Tracto traqueobronquial	Tracto pulmonar	Tracto periférico
CONFIGURACIÓN NEBULIZADOR	Sin Selector	Selector en posición 1	Selector en posición 2	Selector en posición 3
MMAD (μm)	5,80 ⁽³⁾	4,67 ⁽¹⁾	3,62 ⁽¹⁾	2,56 ⁽¹⁾
Velocidad (ml/min)	0,75 ⁽²⁾	0,54 ⁽²⁾	0,51 ⁽²⁾	0,38 ⁽²⁾
Fración respirable < 5 μm (FPF)	40,3 ⁽³⁾	54,4 ⁽¹⁾	66,3 ⁽¹⁾	82,2 ⁽¹⁾

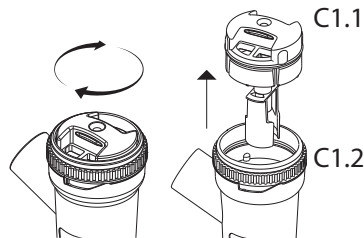
1) Caracterización in vitro realizada por TÜV Rheinland Italia S.r.l. en colaboración con la Universidad de Parma y de acuerdo con las Normativas Europeas para equipos de terapia respiratoria Norma EN 13544-1:2007 + A1. Más información disponible bajo solicitud. (2) Datos recopilados de acuerdo con el procedimiento interno Flaem I29-P07.5. Los valores de la velocidad de suministro pueden variar de acuerdo con la capacidad respiratoria del paciente. Más detalles están disponibles bajo petición. (3) Datos calculados en base a los valores obtenidos con el Malvern Spraytec y comparados con los valores de las pruebas realizadas en la Universidad de Parma

Seleccione la posición deseada utilizando el regulador de granulometría C1.1.

Al girar el regulador a derechas, el selector (C1.1c) se mueve cerrando la abertura, que en cambio se abre girando el regulador a izquierdas.



Para usar el nebulizador sin selector, sujete firmemente el cuerpo del nebulizador y con la otra mano gire a derechas el regulador de granulometría (C1.1) hasta que se expulse de la parte superior (C1.2).



INSTRUCCIONES DE USO

Antes de cada uso, lávese las manos minuciosamente y limpie su aparato como se describe en el apartado "LIMPIEZA, HIGIENIZACIÓN, DESINFECCIÓN". El nebulizador y los accesorios son solo para uso personal para evitar eventuales riesgos de infección por contagio. Durante la aplicación se aconseja protegerse de manera adecuada de los posibles goteos. Este aparato es adecuado para la administración de sustancias medicinales y no medicinales, para las que se disponga la administración con aerosol, además, estas sustancias las debe recetar el médico. En caso de sustancias demasiado densas, podría ser necesario diluirlas con solución fisiológica adecuada, siguiendo las indicaciones del médico.

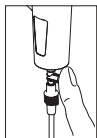
1. Conecte el cable de alimentación (A7) a una toma eléctrica adecuada para la tensión del aparato. Ésta debe estar situada en un lugar que no dificulte la desconexión del aparato.
2. Vierta el medicamento prescrito por el médico en la parte inferior (C1.4). Inserte la parte superior (C1.1 + C1.2 + C1.3) del nebulizador en la parte inferior (C1.4), cierre el nebulizador girando la parte superior (C1.2) a derechas. Cierre el nebulizador girando la parte superior (C1.2) hacia la derecha.
3. Conecte los accesorios como se indica en el "Esquema de conexión" de la portada.
4. Ajuste el selector del nebulizador para la granulometría deseada como se describe en el apartado "MODOS DE USO DEL NEBULIZADOR RF9 CON REGULADOR DE GRANULOMETRÍA Y SISTEMA DE VÁLVULAS"
5. Siéntese cómodamente con el nebulizador en la mano, apoye la boquilla en la boca o utilice el nasal o la mascarilla. Si utiliza el accesorio de la mascarilla, apóyela en la cara, como se muestra en la figura (con o sin elástico).
6. Ponga en funcionamiento el aparato accionando el interruptor (A1) e inspire y expire profundamente. Se recomienda retener la respiración durante un instante, después de la inspiración, para que las gotas de aerosol inhaladas puedan depositarse. Después, expire lentamente.
7. Cuando acabe la aplicación, apague el aparato y desconecte en enchufe.



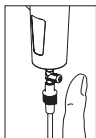
ATENCIÓN: Si después de la sesión terapéutica se forma un evidente depósito de humedad dentro del tubo (B), desconecte el tubo del nebulizador y séquelo con la ventilación del mismo compresor; esta acción evita posibles proliferaciones de hongos dentro del tubo.

USO DEL MANDO MANUAL DE NEBULIZACIÓN

Para que la nebulización sea continua, se aconseja no aplicar el mando manual de nebulización (C6), especialmente en caso de niños o personas dependientes. El mando manual de nebulización se usa para limitar la dispersión del medicamento en el ambiente circundante.



Para activar la nebulización, tape con un dedo el orificio del mando manual de nebulización (C11) e inspire suavemente a fondo; después de la inspiración, se recomienda retener el aire unos segundos para que las gotitas de aerosol inhaladas puedan depositarse,



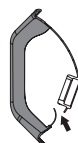
mientras tanto, para desactivar la nebulización, retire el dedo del orificio del mando manual de nebulización, de esta forma se evita desperdiciar el fármaco, optimizando su adquisición. A continuación, expire lentamente.

MASCARILLAS SOFTTOUCH

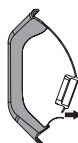


Suave material biocompatible
Limitador de Dispersión

Las mascarillas **SoftTouch** tienen el borde externo realizado en **material suave biocompatible** que garantiza una óptima adherencia a la cara, y además cuentan con el **innovador Limitador de Dispersión**. Estos elementos característicos que nos distinguen, permiten una mayor sedimentación del fármaco en el paciente, y también en este caso, se **limita la dispersión**.



En la fase de inspiración, la lengüeta que hace de **Limitador de Dispersión**, se dobla hacia la parte interior de la mascarilla.



En la fase de expiración, la lengüeta que hace de **Limitador de Dispersión**, se dobla hacia la parte externa de la mascarilla.

LIMPIEZA HIGIENIZACIÓN DESINFECCIÓN

Apague el aparato y desenchúfelo antes de llevar a cabo cualquier operación de limpieza.

APARATO (A) Y EXTERIOR DEL TUBO (B)

Utilice solo un paño humedecido con detergente antibacteriano (no abrasivo y libre de todo tipo de disolventes).

ACCESORIOS

Para desmontar el nebulizador RF9.

Sostenga firmemente el cuerpo del nebulizador y, con la otra mano, gire el regulador de granulometría (C1.1) a derechas hasta que sea expulsado de la parte superior (C1.2) debido al efecto de destornillado. A continuación puede realizar el siguiente desmontaje de los componentes (regulador C1.1a, válvula C1.1b, selector C1.1c y parte superior C1.2) para la limpieza. La boquilla (C1.3) se monta por interferencia en la parte superior (C1.2), se puede extraer simplemente tirando de ella hacia fuera.

Después, proceda según las instrucciones que se indican a continuación.

LIMPIEZA EN AMBIENTE DOMÉSTICO - HIGIENIZACIÓN Y DESINFECCIÓN

HIGIENIZACIÓN

Antes y después de cada uso, higienice el nebulizador y los accesorios eligiendo uno de los métodos que se describen a continuación.

método A: Higienice los accesorios **C1.1a-C1.1b-C1.1c-C1.2-C1.3-C1.4-C2-C3-C4-C5-C6** en agua caliente potable (a unos 40°C), con detergente delicado para platos (no abrasivo).

método B: Higienice los accesorios **C1.1a-C1.1b-C1.1c-C1.2-C1.3-C1.4-C2-C3-C4-C5-C6** en lavavajillas con ciclo caliente.

método C: Higienice los accesorios **C1.1a-C1.1b-C1.1c-C1.2-C1.3-C1.4-C2-C3-C4-C5-C6** mediante inmersión en una solución con 50% de agua y 50% de vinagre blanco, y después, aclare abundantemente con agua caliente potable (a unos 40°C).

Si desea realizar también la limpieza por DESINFECCIÓN, salte al apartado DESINFECCIÓN.

Después de higienizar los accesorios, sacúdalos enérgicamente y colóquelos sobre una servilleta de papel, o séquelos con un chorro de aire caliente (por ejemplo con un secador de pelo).

DESINFECCIÓN

Después de haber higienizado el nebulizador y los accesorios, desinfectelos eligiendo uno de los métodos que se describen a continuación.

método A: Los accesorios que se pueden desinfectar son **C1.1a-C1.1b-C1.1c-C1.2-C1.3-C1.4-C2-C3-C4-C5-C6**. Utilice un desinfectante de tipo cloro-oxidante electroclorítico (principio activo: hipoclorito de sodio), específico para la desinfección y disponible en todas las farmacias.

Ejecución:

- Llene un recipiente de dimensiones adecuadas para contener todos los componentes individuales que se han de desinfectar, con una solución de agua potable y de desinfectante, respetando las proporciones indicadas en el envase del desinfectante.
- Sumerja por completo el componente en la solución, prestando atención en evitar la formación de burbujas de aire en contacto con los componentes. Deje los componentes sumergidos durante el tiempo que se indica en el envase del desinfectante, y asociado a la concentración seleccionada para la preparación de la solución.
- Saque los componentes desinfectados y aclárelos con abundante agua potable templada.
- Elimine la solución siguiendo las instrucciones suministradas por el fabricante del desinfectante.

método B: Desinfecte los accesorios **C1.1a-C1.1b-C1.1c-C1.2-C1.3-C1.4-C2-C3-C4-C5-C6** con agua hirviendo durante 10 minutos; utilice agua desmineralizada o destilada para evitar que se formen depósitos de cal.

método C: Desinfecte los accesorios **C1.1a-C1.1b-C1.1c-C1.2-C1.3-C1.4-C2-C3-C4-C5-C6** con un esterilizador por calor para biberones de tipo de vapor (no de microondas). Realice el proceso siguiendo fielmente las instrucciones del esterilizador. Para que la desinfección sea eficaz, elija un esterilizador con un ciclo operativo de al menos 6 minutos.

Después de desinfectar los accesorios, sacúdalos con fuerza y colóquelos sobre una servilleta de papel, o séquelos con un chorro de aire caliente (por ejemplo, con un secador de pelo).

LIMPIEZA EN AMBIENTE CLÍNICO U HOSPITALARIO - DESINFECCIÓN Y ESTERILIZACIÓN

Antes de realizar la desinfección o esterilización, higienice la ampolla y los accesorios eligiendo uno de los métodos que se describen a continuación.

método A: Higienice los accesorios **C1.1a-C1.1b-C1.1c-C1.2-C1.3-C1.4-C2-C3-C4-C5-C6** en agua caliente potable (a unos 40°C), con detergente delicado para platos (no abrasivo).

método B: Higienice los accesorios **C1.1a-C1.1b-C1.1c-C1.2-C1.3-C1.4-C2-C3-C4-C5-C6** en lavavajillas con ciclo caliente.

DESINFECCIÓN

Los accesorios que se pueden desinfectar son **C1.1a-C1.1b-C1.1c-C1.2-C1.3-C1.4-C2-C3-C4-C5-C6**.

Utilice un desinfectante de tipo cloro-oxidante electrolítico (principio activo: hipoclorito de sodio), específico para la desinfección y disponible en todas las farmacias.

Ejecución:

- Llene un recipiente de dimensiones adecuadas para contener todos los componentes individuales que se han de desinfectar, con una solución de agua potable y de desinfectante, respetando las proporciones indicadas en el envase del desinfectante.
- Sumerja por completo el componente en la solución, prestando atención en evitar la formación de burbujas de aire en contacto con los componentes. Deje los componentes sumergidos durante el tiempo que se indica en el envase del desinfectante, y asociado a la concentración seleccionada para la preparación de la solución.
- Saque los componentes desinfectados y aclárelos con abundante agua potable templada.
- Elimine la solución siguiendo las instrucciones suministradas por el fabricante del desinfectante.

Si desea realizar también la ESTERILIZACIÓN, salte al apartado ESTERILIZACIÓN.

Después de desinfectar los accesorios, sacúdalos con fuerza y colóquelos sobre una servilleta de papel, o séquelos con un chorro de aire caliente (por ejemplo, con un secador de pelo).

ESTERILIZACIÓN

Los accesorios que se pueden esterilizar son **C1 (nebulizador ensamblado)-C2-C3-C4-C5**.

Aparato: Esterilizador a vapor con vacío fraccionado y sobrepresión conforme a la norma EN 13060.

Ejecución: Empaque cada uno de los componentes que se han de tratar en un sistema o embalaje con barrera estéril conforme a la norma EN 11607. Introduzca los componentes embalados en el esterilizador a vapor. Realice el ciclo de esterilización respetando las instrucciones de uso del aparato, seleccionando una temperatura de 134 °C y un tiempo de 10 minutos primero.

Conservación: Conserve los componentes esterilizados siguiendo las instrucciones de uso del sistema o del embalaje de barrera estéril seleccionado.

El procedimiento de esterilización es conforme con la norma ISO 17665-1.

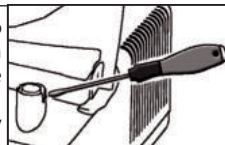
Al final de cada uso guarde el producto con sus accesorios en un lugar seco y protegido del polvo.

FILTRADO DEL AIRE

El equipo cuenta con un filtro de aspiración (A3) que se debe sustituir cuando está sucio o cambia color. No lave ni vuelva a utilizar el mismo filtro. Para contribuir a garantizar un rendimiento correcto del compresor es necesaria la sustitución regular del filtro. El filtro se debe controlar con regularidad. Para cambiar el filtro:

Introduzca un destornillador plano entre el borde del filtro y el cuerpo. Levante el filtro y extráigalo girando y tirando hacia arriba. El filtro se ha realizado de manera que esté siempre fijo en su lugar. No sustituya el filtro durante el uso.

Utilice solo accesorios y partes de recambios originales Flaem, se declina cualquier responsabilidad en caso de que se utilicen recambios o accesorios no originales



LOCALIZACIÓN DE AVERÍAS

Antes de llevar a cabo cualquier operación, apague el equipo y desconéctelo de la toma de corriente.

PROBLEMA	CAUSA	SOLUCIÓN
El equipo no funciona	El cable de alimentación no está conectado correctamente en la toma de red.	Conecte bien el cable de alimentación en las tomas.
El aparato no nebuliza o nebuliza poco	No se ha introducido el medicamento en el nebulizador	Vierta la cantidad adecuada de medicamento en el nebulizador
	El nebulizador no se ha montado correctamente.	Desmunte y vuelva a montar el nebulizador correctamente según el esquema de conexión de la portada.
	La boquilla del nebulizador esta obstruida.	Desmunte el nebulizador, quite la boquilla y encárguese de las operaciones de limpieza. Si no se limpian los depósitos de medicamento del nebulizador, se compromete su eficiencia y su funcionamiento. Siga paso a paso las instrucciones del capítulo "LIMPIEZA HIGIENIZACIÓN DESINFECCIÓN".
	El tubo de aire no está conectado correctamente al aparato.	Compruebe que se conecten correctamente la toma de aire del aparato y los accesorios (vea esquema de conexión en la portada).
	El tubo de aire está doblado, dañado o retorcido.	Desenrolle el tubo y compruebe que no haya aplastamientos u orificios. Si es necesario, cámbielo.
	El filtro del aire está sucio.	Cambie el filtro.
El aparato es más ruidos de lo normal	Filtro no introducido correctamente en su soporte.	Introduzca correctamente a fondo el Filtro en el soporte

Si, tras comprobar las condiciones antes descritas, el dispositivo no funciona correctamente, acuda a su revendedor de confianza o a su centro de asistencia autorizado por FLAEM mas cercano.

SIMBOLOS



Marcado CE medicamento ref. Dir. 93/42 CEE y posteriores actualizaciones



Aparato de clase II



Atención consultar las instrucciones para el uso



Interruptor de funcionamiento apagado



Interruptor de funcionamiento encendido



Conforme a: Norma Europea EN 10993-1 "Evaluación Biológica de dispositivos médicos" y a la Directiva Europea 93/42/EEC "Dispositivos Médicos". Libre de ftalatos. En conformidad con Reg. (CE) no. 1907/2006



Temperatura ambiente mínima y máxima



Presión atmosférica mínima y máxima



Número de serie del dispositivo



Fabricante



Pieza montada de tipo BF



Corriente alterna



Grado de protección de la funda: IP21. (Protegido contra cuerpos sólidos de tamaño superior a 12mm. Protegido contra el encendido con un dedo; Protegido contra la caída vertical de gotas de agua.)



Humedad del aire mínima y máxima

CARACTERÍSTICAS TÉCNICAS

Aparato mod: CONDOR F2000

Tensión:	230V~ 50Hz 210VA	115V~ 60Hz	220V~ 60Hz	100V~50/60Hz
----------	------------------	------------	------------	--------------

Presión Máx.:	3,5 ± 0,5 bar
Caudal de aire compresor:	14 l/min
Nivel de ruido (a 1 m):	55 dB (A)
Uso:	Continuado

Condiciones de funcionamiento:

Temperatura:	Mín 10°C; Máx 40°C
Humedad del aire:	Mín 10%; Máx 95%
Presión atmosférica:	Mín 69KPa; Máx 106KP

Condiciones de almacenamiento:

Temperatura:	Mín -25°C; Máx 70°C
Humedad del aire:	Mín 10%; Máx 95%
Presión atmosférica:	Mín 69KPa; Máx 106KPa

Dimensiones (A)x(P)x(H):	20x29,5x10 cm
Peso:	2,400 Kg

PIEZAS MONTADAS

Las piezas montadas de tipo BF son: (C2, C3, C4, C5, C6)


Nebulizador RF9

Capacidad mínima de fármaco:	2 ml
Capacidad máxima de fármaco:	8 ml
Presión de ejercicio (con neb.):	1,30 bares aprox.

COMPATIBILIDAD ELECTROMAGNÉTICA

Este aparato ha sido estudiado para cumplir con los requisitos actuales de compatibilidad electromagnética (EN 60601-1-2). Los equipos electromédicos requieren una atención especial en las fases de instalación y uso, de conformidad con los requisitos EMC, por lo que es necesario instalarlos y/o utilizarlos siguiendo las instrucciones del fabricante. Riesgo de potenciales interferencias electromagnéticas con otros dispositivos. Los aparatos de radio y telecomunicaciones móviles o portátiles RF (teléfonos móviles o conexiones inalámbricas) podrían interferir con el funcionamiento de los equipos electromédicos. Para mayor información, visite la web www.flaemnuova.it. El producto sanitario puede ser susceptible a interferencia electromagnética en presencia de otros dispositivos utilizados para diagnósticos o tratamientos específicos. Flaem se reserva el derecho a aportar modificaciones técnicas y funcionales al producto sin necesidad de previo aviso.

ELIMINACIÓN DEL APARATO

 De conformidad con la Directiva 2012/19/CE, el símbolo que aparece sobre el aparato indica que el aparato que tiene que eliminarse, es considerado un desecho, y por lo tanto es objeto de "recogida selectiva". Por lo tanto, el usuario deberá depositar (o hacer depositar) dicho desecho, que deberá llevarse a centros de recogida selectiva pertenecientes a las administraciones locales, o bien entregarlo a su distribuidor en el momento de compra de un nuevo aparato de tipo equivalente. La recogida selectiva del desecho y sus operaciones de tratamiento, recuperación y eliminación, favorecen la producción de aparatos con materiales reciclables y limitan los efectos negativos sobre el medio ambiente y la salud provocados por la gestión incorrecta del desecho. La eliminación abusiva del producto de parte del usuario comporta la aplicación de eventuales sanciones administrativas previstas por las leyes de transposición de la Directiva 2012/19/CE del estado miembro europeo en el que el producto es eliminado.

ELIMINACIÓN DEL EMBALAJE



Caja de producto



Película termorretráctil para accesorios



Bolsa de embalaje de productos
y bolsa de embalaje de tubos

Συγχαρητήρια για την αγορά σας. Σας ευχαριστούμε για την εμπιστοσύνη που μας δείχνετε. Σκοπός μας είναι να ικανοποιούμε απόλυτα τις ανάγκες των πελατών μας με τελευταίας τεχνολογίας προϊόντα για τη θεραπευτική αντιμετώπιση παθήσεων της αναπνευστικής οδού. **Διαβάστε προσεκτικά αυτές τις οδηγίες και φροντίστε να τις έχετε πάντοτε διαθέσιμες για μελλοντική αναφορά. Χρησιμοποιήστε τη συσκευή μόνο με τον τρόπο που περιγράφεται στο παρόν εγχειρίδιο. Αυτή είναι μια ιατρική συσκευή για τη νεφελοποίηση και χορήγηση φαρμάκων που συνταγογραφούνται και συστήνονται από το γιατρό κατόπιν αξιολόγησης της γενικής κατάστασης του ασθενούς.** Για να δείτε όλα τα προϊόντα της Flaem, επισκεφτείτε τον ιστότοπο www.fluem.it.

Η ΣΥΣΚΕΥΗ ΑΠΟΤΕΛΕΙΤΑΙ ΑΠΟ ΤΑ ΠΑΡΑΚΑΤΩ:

A - Συσκευή χορήγησης θεραπείας σε μορφή αερολύματος (κεντρική μονάδα)

- A1 - Διακόπτης
- A2 - Θύρα εξόδου αέρα
- A3- Φίλτρο αέρα
- A4 - Θύρα νεφελοποιητή
- A5 - Λαβή μεταφοράς
- A6 - Θάλαμος φύλαξης καλωδίων
- A7 - Καλώδιο τροφοδοσίας

B - Σωλήνας σύνδεσης (κεντρική μονάδα / νεφελοποιητής)

C - Εξαρτήματα

C1 - Νεφελοποιητής RF9

- C1.1 - Ρυθμιστής κοκκομετρίας πλήρης
 - C1.1a - Ρυθμιστής
 - C1.1b- βαλβίδα
 - C1.1c - Επιλογέας
- C1.2 - Άνω μέρος
- C1.3 - Ακροφύσιο
- C1.4 - Επάνω κάτω

C2 - Επιστόμιο με βαλβίδα

- C2.1 - Βαλβίδα εκπνοής

C3 - Μη επεμβατικό εξάρτημα ρινικής προσαρμογής

C4 - Μάσκα για ενήλικες ασθενείς

C5 - Μάσκα για παιδιατρικούς ασθενείς

C6 - Χειροκίνητος έλεγχος ψεκασμού

⚠ ΣΗΜΑΝΤΙΚΕΣ ΟΔΗΓΙΕΣ ΠΡΟΦΥΛΑΞΗΣ

- Η παρούσα ιατρική συσκευή προορίζεται επίσης για την απευθείας χρήση από τον ασθενή.
- Πριν χρησιμοποιήσετε τη μονάδα για πρώτη φορά αλλά και κατά περιόδους καθ'όλη τη διάρκεια ζωής της, ελέγξτε το καλώδιο τροφοδοσίας για τυχόν φθορά. Αν διαπιστώσετε κάποια φθορά, μην το συνδέσετε στην παροχή ρεύματος. Επισκεφτείτε αμέσως κάποιο εξουσιοδοτημένο κέντρο σέρβις ή τον αντιπρόσωπο του προϊόντος.
- Σε περίπτωση που η συσκευή σας δεν πληρεί τις προδιαγραφές, επικοινωνήστε με το κέντρο τεχνικής υποστήριξης εξουσιοδοτημένο για αποσαφηνίσεις.
- Ο μέσος όρος διάρκειας ζωής των εξαρτημάτων είναι 1 έτος. Ωστόσο, σας συνιστούμε να αντικαθιστάτε το νεφελοποιητή κάθε 6 μήνες στην περίπτωση εντατικής χρήσης (ή και νωρίτερα, στην περίπτωση φραγμένου νεφελοποιητή) ώστε να διασφαλίζεται πάντοτε το μέγιστο θεραπευτικό αποτέλεσμα.
- Όσον αφορά τα παιδιά και τα άτομα με αναπηρία, η χρήση της συσκευής πρέπει να γίνεται πάντοτε υπό την αυστηρή επίβλεψη κάποιου ενήλικα που θα έχει διαβάσει το παρόν εγχειρίδιο.
- Η συσκευή περιλαμβάνει αρκετά μικρών διαστάσεων στοιχεία που ενέχουν κίνδυνο κατάποσης από παιδιά. Για τον λόγο αυτό, φυλάξτε τη συσκευή μακριά από τα παιδιά.
- Μην χρησιμοποιείτε τους σωλήνες και τα καλώδια της συσκευής για σκοπούς πέραν των εδώ αναφερόμενων γιατί υπάρχει το ενδεχόμενο κινδύνου τραυματισμού. Να δίνετε τη μέγιστη προσοχή στη φροντίδα των παιδιών και των ατόμων με αναπηρία. Συνήθως τα άτομα αυτά δεν είναι σε θέση να εκτιμήσουν σωστά το ενδεχόμενο κινδύνου.
- Η συσκευή δεν πρέπει να χρησιμοποιείται παρουσία μείγματος αναισθητικών που αναφλέγονται σε συνδυασμό με αέρα, οξυγόνο ή υποξείδιο του αζώτου.
- Φροντίστε ώστε το καλώδιο να βρίσκεται σε ασφαλή απόσταση από τις θερμές επιφάνειες.
- Φροντίστε ώστε το καλώδιο τροφοδοσίας να βρίσκεται σε ασφαλή απόσταση από ζώα (για παράδειγμα, τρωκτικά), καθώς ενδέχεται να προκαλέσουν φθορά στη μόνωση του καλωδίου.
- Μην χειρίζεστε τη συσκευή με βρεγμένα χέρια. Μην χρησιμοποιείτε τη συσκευή σε περιβάλλον με υγρασία (π.χ., όταν κάνετε μπάνιο ή ντους). Μην βυθίζετε τη συσκευή στο νερό. Σε μια τέτοια περίπτωση, αποσυνδέστε τη συσκευή από την παροχή. Μην αφαιρείτε και μην αγγίζετε τη βυθισμένη στο νερό συσκευή πριν την αποσυνδέσετε από την παροχή. Επισκεφτείτε αμέσως κάποιο εξουσιοδοτημένο κέντρο σέρβις ή τον αντιπρόσωπο του προϊόντος.
- Να χρησιμοποιείτε τη συσκευή αποκλειστικά σε περιβάλλον χωρίς σκόνη. Σε αντίθετη περίπτωση ενδέχεται να μην λειτουργήσει σωστά η θεραπεία.
- Το περίβλημα της συσκευής δεν προστατεύεται έναντι της διείσδυσης υγρών. Μην πλένετε τη συσκευή κάτω από τρεχούμενο

νερό και μην τη βυθίζετε σε νερό. Αποφύγετε την επαφή με εκτοξευόμενο νερό ή με άλλα υγρά.

- Μην εκθέτετε τη συσκευή σε υψηλές θερμοκρασίες.
- Μην τοποθετείτε τη συσκευή κοντά σε πηγές θερμότητας, άμεσο ηλιακό φως ή σε ζεστό περιβάλλον.
- Μην παρεμποδίζετε και μην εισάγετε αντικείμενα στο φίλτρο ή στο θάλαμό του στη συσκευή.
- Μην παρεμποδίζετε τις διόδους αέρα εκατέρωθεν της συσκευής.
- Κατά τη χρήση να τοποθετείτε πάντοτε τη συσκευή σε σταθερή, ελεύθερη επιφάνεια.
- Πριν από κάθε χρήση, να ελέγχετε αν υπάρχει κάποιο υλικό που παρεμποδίζει τις διόδους αέρα.
- Μην τοποθετείτε κανενός είδους αντικείμενα στις διόδους αέρα.
- Οι επισκευές, συμπεριλαμβανομένης της αντικατάστασης του ηλεκτρικού καλωδίου, πρέπει να εκτελούνται μόνο από το εξουσιοδοτημένο προσωπικό της FLAEM, ακολουθώντας τις πληροφορίες που παρέχονται από τον κατασκευαστή.
- Η παρεχόμενη μέση διάρκεια για τις σειρές συμπιεστών είναι ως εξής: F400: 400 ώρες, F700: 700 ώρες, F1000: 1000 ώρες, F2000: 2000 ώρες.

ΠΡΟΕΙΔΟΠΟΙΗΣΗ: Μην τροποποιείτε τον εξοπλισμό χωρίς την έγκριση του κατασκευαστή.

- Ο κατασκευαστής, ο έμπορος και ο εισαγωγέας φέρουν την ευθύνη για την ασφάλεια, την αξιοπιστία και απόδοση της συσκευής μόνο στις ακόλουθες περιπτώσεις: α) αν η συσκευή χρησιμοποιείται σύμφωνα με τις οδηγίες χρήσης, β) αν το ηλεκτρικό σύστημα των χώρων όπου χρησιμοποιείται η συσκευή είναι σε συμμόρφωση με την εκάστοτε ισχύουσα νομοθεσία.
- Αλληλεπιδράσεις: Τα υλικά που χρησιμοποιούνται και τα οποία έρχονται σε επαφή με φάρμακα έχουν υποβληθεί σε δοκιμές με ευρύ φάσμα φαρμακευτικών ουσιών. Ωστόσο, λόγω της πληθώρας φαρμάκων και της συνεχούς εξέλιξής τους, δεν μπορεί να αποκλειστεί το ενδεχόμενο χημικής αλληλεπίδρασης. Συνιστούμε να χρησιμοποιήσετε το φάρμακο το συντομότερο δυνατό μετά το άνοιγμά του και να αποφύγετε παρατεταμένη επαφή με το νεφελοποιητή. Τα υλικά που χρησιμοποιούνται στην συσκευή είναι υλικά βιοσυμβατά και συμμορφώνονται με τους δεσμευτικούς κανονισμούς της Οδηγίας 93/42 ΕΚ και των μετέπειτα τροποποιήσεων, παρόλα αυτά δεν είναι δυνατόν να αποκλειστούν εντελώς πιθανές αλλεργικές αντιδράσεις.
- Θα πρέπει να επικοινωνείτε με τον κατασκευαστή για προβλήματα ή/και απροσδόκητα συμβάντα που αφορούν τη λειτουργία ή αν χρειάζεστε αποσαφηνίσεις σχετικά με τη χρήση ή/και τη συντήρηση/καθαρισμό.
- Ο απαιτούμενος χρόνος μετάβασης από τις συνθήκες συντήρησης στις συνθήκες λειτουργίας είναι περίπου 2 ώρες

Τα πλεονεκτήματα της προστασίας BioCote

Το περίβλημα του NebulFlaem 4.0 είναι κατασκευασμένο από ABS αναμειγμένο με αντιμικροβιακό πρόσθετο Bio-Cote®, το οποίο προστατεύει τις επιφάνειες 24 ώρες την ημέρα και παρέχει μόνιμα αντιβακτηριακά, αντιμυκητιασικά και αντιϊικά χαρακτηριστικά. Αποθηκεύστε εξαρτήματα σε ένα ασφαλέστερο περιβάλλον.

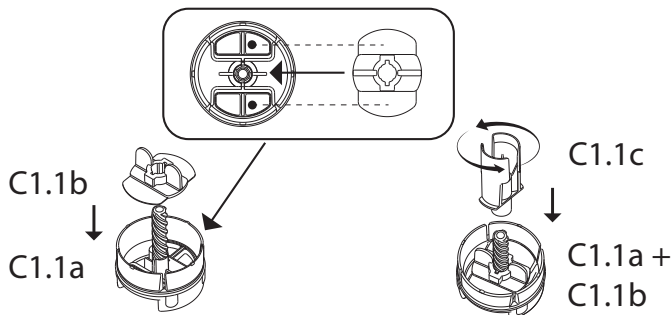
ΡΥΘΜΙΣΗ ΑΚΥΡΩΣΕΩΝ RF9

Ακολουθήστε τις παρακάτω οδηγίες συναρμολόγησης.

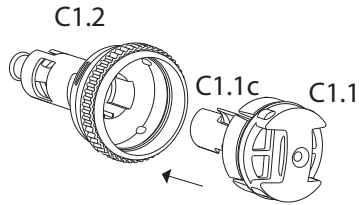
1. Συναρμολογήστε το ακροφύσιο (C1.3) στο πάνω μέρος (C1.2).



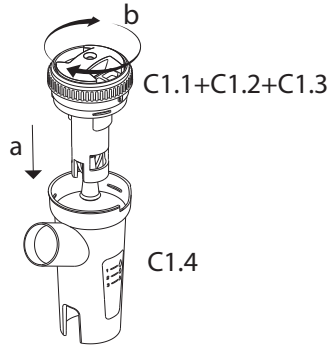
2. Τοποθετήστε τη βαλβίδα (C1.1b) στον ρυθμιστή κοκκομετρίας (C1.1a), με την επίπεδη πλευρά προς τα κάτω και ευθυγραμμίζοντας την οπή με τις νευρώσεις θέσης, και στη συνέχεια βιδώστε τον επιλογέα (C1.1c) στον βιδωτό άξονα του ρυθμιστή μέχρι τέρμα. Περιστρέψτε τον συναρμολογημένο ρυθμιστή για να βεβαιωθείτε ότι περιστρέφεται ελεύθερα και ότι ο επιλογέας ανεβαίνει και κατεβαίνει μεταξύ των δύο θέσεων.



3. Τοποθετήστε και πιάστε μέχρι τέρμα τον ρυθμιστή κοκκομετρίας που συναρμολογήσατε προηγουμένως (C1.1), διατηρώντας τον σε οριζόντια θέση, στο πάνω μέρος (C1.2), κάνοντας να συμπέσουν τα τοιχώματα του επιλογέα (C1.1c) με το κοίλωμα του πάνω τμήματος (C1.2).



4. Τοποθετήστε το πάνω συναρμολογημένο τμήμα (C1.1 + C1.2 + C.13) στο κάτω μέρος (C1.4) και κουμπώστε το περιστρέφοντας δεξιόστροφα.



ΤΡΟΠΟΙ ΧΡΗΣΗΣ ΤΟΥ ΝΕΦΕΛΟΠΟΙΗΤΗ RF9 ΜΕ ΡΥΘΜΙΣΤΗ ΚΟΚΚΟΜΕΤΡΙΑΣ ΚΑΙ ΣΥΣΤΗΜΑ ΒΑΛΒΙΔΩΝ

Είναι επαγγελματικό, γρήγορο και ενδείκνυται για την χορήγηση όλων των τύπων φαρμάκων, ακόμη και σε ασθενείς με χρόνιες παθήσεις. Το σύστημα βαλβίδας βελτιστοποιεί την παροχή του νεφελοποιημένου φαρμάκου στον ασθενή και περιορίζει τη διασπορά του στο περιβάλλον. Επιπλέον, χάρη στον ρυθμιστή κοκκομετρίας, είναι δυνατόν να επιλέγεται το μέγεθος των νεφελοποιημένων σωματιδίων ανάλογα με την περιοχή του αναπνευστικού συστήματος για το οποίο προορίζεται η θεραπεία. Πράγματι, με τους 4 δυνατούς τρόπους λειτουργίας, η αμπούλα μπορεί να παρέχει σωματίδια διαφόρων μεγεθών:

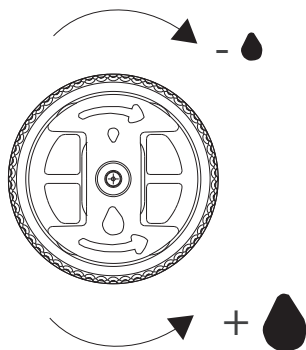
ΑΝΑΠΝΕΥΣΤΙΚΟ ΣΥΣΤΗΜΑ	ΑΝΩΤΗΡΗ ΑΝΑΠΝΕΥΣΤΙΚΗ ΟΔΟΣ	ΚΑΤΩΤΗΡΗ ΑΝΑΠΝΕΥΣΤΙΚΗ ΟΔΟΣ		
	Στοματοφαρυγγικό τμήμα	Τραχειοβρογχικό τμήμα	Πνευμονικό τμήμα	Περιφερικό τμήμα
ΔΙΑΜΟΡΦΩΣΗ ΑΜΠΟΥΛΑΣ	Χωρίς Επιλογή	Επιλογέας στη θέση 1	Επιλογέας στη θέση 2	Επιλογέας στη θέση 3
MMAD (μm)	5,80 ⁽³⁾	4,67 ⁽¹⁾	3,62 ⁽¹⁾	2,56 ⁽¹⁾
Ταχύτητα (ml/min ³)	0,75 ⁽²⁾	0,54 ⁽²⁾	0,51 ⁽²⁾	0,38 ⁽²⁾
Αναπνεύσιμο κλάσμα < 5 μm (FPF)	40,3 ⁽³⁾	54,4 ⁽¹⁾	66,3 ⁽¹⁾	82,2 ⁽¹⁾

(1) Χαρακτηρισμός in vitro που πραγματοποιήθηκε από την TÜV Rheinland Italia S.r.l. σε συνεργασία με το Πανεπιστήμιο της Πάρμας και σύμφωνα με το Ευρωπαϊκό Πρότυπο για συσκευές θεραπείας με αερόλυμα, Πρότυπο EN 13544-1:2007 + A1. Περισσότερες πληροφορίες διατίθενται κατόπιν αιτήματος.

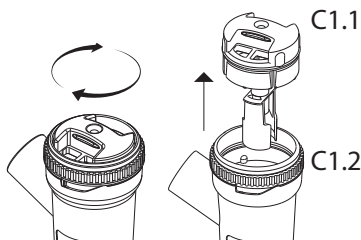
(2) Δεδομένα που καταγράφηκαν σύμφωνα με την εσωτερική διαδικασία Flaeam I29-P07.5. Οι τιμές της ταχύτητας παροχής μπορεί να διαφέρουν ανάλογα με την αναπνευστική ικανότητα του ασθενή. Περισσότερες πληροφορίες διατίθενται κατόπιν αιτήματος.

(3) Τα δεδομένα υπολογίστηκαν με βάση τις τιμές που καταγράφηκαν με το Malvern Spraytec και συγκρίθηκαν με τις τιμές των δοκιμών που πραγματοποιήθηκαν στο Πανεπιστήμιο της Πάρμας.

Επιλέξτε την επιθυμητή θέση μέσω του ρυθμιστή κοκκομετρίας C1.1. Περιστρέφοντας τον ρυθμιστή δεξιόστροφα, ο επιλογέα (C1.1c) μετατοπίζεται και κλείνει το άνοιγμα. Αντιθέτως, αυτό ανοίγει περιστρέφοντας τον ρυθμιστή αριστερόστροφα.



Για να αποσυρμαολογήσετε το φιαλίδιο, κρατήστε σταθερά το σώμα του φιαλιδίου και, με το άλλο χέρι, περιστρέψτε τον ρυθμιστή κοκκομετρίας δεξιόστροφα (C1.1) μέχρι να αποσπαστεί από το πάνω μέρος (C1.2).

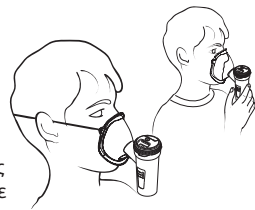


ΟΔΗΓΙΕΣ ΧΡΗΣΗΣ

Πριν από κάθε χρήση, να πλένετε τα χέρια σας σχολαστικά και να καθαρίζετε τη συσκευή σύμφωνα με τις οδηγίες στην ενότητα “ΚΑΘΑΡΙΣΜΟΣ, ΥΓΙΕΙΝΗ ΚΑΙ ΑΠΟΛΥΜΑΝΣΗ”. Κατά τη χρήση, συνιστάται να φροντίζετε για την ασφάλειά σας αποφεύγοντας να έρθετε σε επαφή με σταγόνες του φαρμάκου. Συνιστάται, επίσης, κάθε χρήστης να χρησιμοποιεί το δικό του κύπελλο νεφελοποιητή και τα συναφή εξαρτήματα ώστε να αποφευχθεί ο κίνδυνος λοίμωξης ως συνέπεια μόλυνσης. Η παρούσα συσκευή είναι κατάλληλη για τη χορήγηση φαρμακευτικών ουσιών και όχι, για τις οποίες προβλέπεται η χορήγηση με αερόλυμα. Εν πάση περιπτώσει οι ουσίες αυτές θα πρέπει να συνταγογραφούνται από το γιατρό. Σε περίπτωση πάρα πολύ παχύρρευστων ουσιών είναι απαραίτητη η αραίωση με το κατάλληλο φυσιολογικό διάλυμα, σύμφωνα με τη συνταγή του γιατρού.

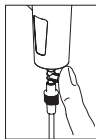
1. Εισάγετε το καλώδιο τροφοδοσίας (A7) σε μια πρίζα ηλεκτρική που αντιστοιχεί στην τάση της συσκευής. Θα πρέπει να τοποθετείται με τέτοιο τρόπο ώστε να είναι δύσκολη η αποσύνδεση από το ρεύμα.
2. Ρίξτε το συνταγογραφημένο από το γιατρό φάρμακο στο κάτω μέρος (C1.4). Τοποθετήστε το πάνω μέρος (C1.1+C1.2+C1.3) του φιαλιδίου μέσα στο κάτω (C1.4) και κλείστε το φιαλίδιο περιστρέφοντας το πάνω μέρος (C1.2) δεξιόστροφα. Κλείστε το νεφελοποιητή περιστρέφοντας το πάνω μέρος (C1.2) δεξιόστροφα.
3. Συνδέστε τα εξαρτήματα όπως υποδεικνύεται στο “ΣΧΕΔΙΟ ΣΥΝΔΕΣΗΣ” του εξώφυλλου.
4. Ρυθμίστε τον επιλογέα του φιαλιδίου στην επιθυμητή κοκκομετρία, όπως περιγράφεται στην παράγραφο «ΤΡΟΠΟΙ ΧΡΗΣΗΣ ΤΟΥ ΝΕΦΕΛΟΠΟΙΗΤΗ RF9 ΜΕ ΡΥΘΜΙΣΤΗ ΚΟΚΚΟΜΕΤΡΙΑΣ ΚΑΙ ΣΥΣΤΗΜΑ ΒΑΛΒΙΔΩΝ».
5. Καθίστε άνετα κρατώντας τον εκνεφωτή, βάλτε το επιστόμιο στο στόμα ή χρησιμοποιήστε το ρινικό ή τη μάσκα. Σε περίπτωση που χρησιμοποιήσετε το εξάρτημα της μάσκας βάλτε τη στο πρόσωπο όπως φαίνεται στην εικόνα (με ή χωρίς τη χρήση του ελαστικού).
6. Βάλτε σε λειτουργία τη συσκευή ενεργοποιώντας το διακόπτη (A1) και εισπνεύστε και εκπνεύστε βαθιά. Συνιστάται μετά την εισπνοή να κρατάτε την αναπνοή σας για μια στιγμή, έτσι ώστε τα σταγονίδια του εισπνεόμενου αεροζόλ να καθιζάνουν. Στη συνέχεια, εκπνεύστε αργά.
7. Αφού τελειώσει η εφαρμογή σβήστε τη συσκευή και βγάλετε το φιλ.

ΠΡΟΣΟΧΗ: Αν μετά τη θεραπευτική χρήση σχηματιστεί μια εμφανής κατάθεση υγρασίας μέσα στο σωλήνα (B), αποσυνδέστε το σωλήνα από τον εκνεφωτή και στεγνώστε το με τον αερισμό του ίδιου του συμπιεστή. Αυτή η ενέργεια εμποδίζει τον πιθανό πολλαπλασιασμό της μούχλας μέσα στο σωλήνα.

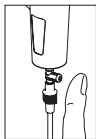


ΧΡΗΣΗ ΤΟΥ ΧΕΙΡΟΚΙΝΗΤΟΥ ΕΛΕΓΧΟΥ ΕΚΝΕΦΩΣΗΣ

Για την επίτευξη της συνεχούς εκνέφωσης, συνιστάται να μην εφαρμόζεται τον χειροκίνητο έλεγχο εκνέφωσης (C6), κυρίως στην περίπτωση παιδιών ή ατόμων χωρίς αυτονομία. Ο χειροκίνητος έλεγχος της εκνέφωσης είναι χρήσιμος για τον περιορισμό της διάχυσης του φαρμάκου στο περιβάλλον.



Για ενεργοποίηση του ψεκασμού, κλείστε με το δάκτυλο την οπή του χειροκίνητου ελέγχου ψεκασμού (C11) και εισπνεύστε βαθιά μέχρι τέλους. Συνιστάται να κρατήσετε την αναπνοή σας για λίγο ώστε οι σταγόνες του ψεκασμού να επικαθίσουν,



στο μεταξύ για να απενεργοποιήσετε τον ψεκασμό, αφαιρέστε το δάκτυλο από την οπή ελέγχου ψεκασμού. Με αυτόν τον τρόπο αποτρέπεται η σπατάλη του φαρμάκου και βελτιστοποιείται η λήψη του. Εκπνεύστε αργά.

ΜΑΣΚΕΣ SOFTTOUCH



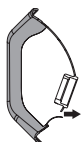
Απαλό Γλυκό Βιοσυμβατό

Περιοριστής Διάχυσης

Οι μάσκες **SoftTouch** έχουν το εξωτερικό μέρος από **απαλό βιοσυμβατό υλικό** που εξασφαλίζει τη βέλτιστη δυνατή πρόσφυση στο πρόσωπο και επίσης, διαθέτουν και ένα **καινοτόμο σύστημα περιορισμού της διάχυσης**. Αυτά τα χαρακτηριστικά που ξεχωρίζουν, επιτρέπουν μεγαλύτερη καθίζηση του φαρμάκου του ασθενή και ακόμη και σε αυτή την περίπτωση **περιορίζει την διάχυση**.



Κατά την εισπνοή, η γλώσσα που λειτουργεί ως **περιοριστής της διάχυσης**, διπλώνει προς το εσωτερικό της μάσκας.



Κατά την εκπνοή, η **γλώσσα** που λειτουργεί ως **περιοριστής διάχυσης**, διπλώνει προς το εξωτερικό της μάσκας.

ΚΑΘΑΡΙΣΜΟΣ ΕΞΥΓΙΑΝΣΗ ΑΠΟΛΥΜΑΝΣΗ ΑΠΟΣΤΕΙΡΩΣΗ

Αποσυνδέστε την συσκευή πριν από κάθε διαδικασία καθαρισμού και αποσυνδέστε το καλώδιο δικτύου από την πρίζα.

ΣΥΣΚΕΥΗ (Α) ΚΑΙ ΕΞΩΤΕΡΙΚΟ ΤΟΥ ΣΩΛΗΝΑ (Β)

Χρησιμοποιήστε μόνο ένα υγρό πανί με αντιβακτηριακό καθαριστικό (μη διαβρωτικό και χωρίς διαλύτες οποιασδήποτε φύσης).

ΠΑΡΕΛΚΟΜΕΝΑ

Για να αποσυναρμολογήσετε τη φύσιγγα RF9

Κρατήστε σταθερά το σώμα του φιαλιδίου και, με το άλλο χέρι, περιστρέψτε τον ρυθμιστή κοκκομετρίας δεξιόστροφα (C1.1) μέχρι να αποσπαστεί από το πάνω μέρος (C1.2) επειδή ξεβιδώθηκε. Στη συνέχεια, μπορείτε να προχωρήσετε στην αποσυναρμολόγηση των εξαρτημάτων (ρυθμιστής C1.1a, βαλβίδα C1.1b, επιλογέας C1.1c και πάνω μέρος C1.2) για τον καθαρισμό. Το ακροφύσιο (C1.3) στερεώνεται με παρεμβολή στο πάνω μέρος (C1.2). Για να το βγάλετε, αρκεί να το τραβήξετε προς τα έξω.

Προχωρήστε επομένως με βάση τις οδηγίες που αναφέρονται στη συνέχεια.

ΚΑΘΑΡΙΣΜΟΣ ΣΕ ΟΙΚΙΑΚΟ ΠΕΡΙΒΑΛΛΟΝ - ΥΓΙΕΙΝΗ ΚΑΙ ΑΠΟΛΥΜΑΝΣΗ

ΕΞΥΓΙΑΝΣΗ

Πριν και μετά από κάθε χρήση, εξυγιάνετε τα εξαρτήματα και τον εκνεφωτή υπερήχων επιλέγοντας μια από τις μεθόδους που περιγράφεται στη συνέχεια.

μέθοδος Α: Απολυμάνετε τα παρελκόμενα **C1.1a-C1.1b-C1.1c-C1.2-C1.3-C1.4-C2-C3-C4-C5-C6** σε πόσιμο ζεστό νερό (περίπου 40 °C) με ήπιο απορρυπαντικό πιάτων (μη διαβρωτικό).

μέθοδος Β: Απολυμάνετε τα παρελκόμενα **C1.1a-C1.1b-C1.1c-C1.2-C1.3-C1.4-C2-C3-C4-C5-C6** σε πλυντήριο πιάτων με ζεστό κύκλο.

μέθοδος C: Απολυμάνετε τα παρελκόμενα **C1.1a-C1.1b-C1.1c-C1.2-C1.3-C1.4-C2-C3-C4-C5-C6** με εμβάπτιση σε διάλυμα με 50% νερό και 50% λευκό ξύδι, και τέλος ξεπλένεται άφθονα με πόσιμο ζεστό νερό (περίπου 40 °C).

Αν θέλετε να πραγματοποιήσετε και τον καθαρισμό ΑΠΟΛΥΜΑΝΣΗΣ συμβουλευτείτε την παράγραφο ΑΠΟΛΥΜΑΝΣΗ.

Μετά την εξυγίανση των αξεσουάρ ανακινήστε τα δυνατά και τοποθετήστε τα σε μια χαρτοπετσέτα ή εναλλακτικά στεγνώστε τα με ένα τζετ θερμού αέρα (για παράδειγμα σεσουάρ μαλλιών).

ΑΠΟΛΥΜΑΝΣΗ

Πριν και μετά από κάθε χρήση, εξυγιάνετε το φυσίγγιο και τα παρελκόμενα επιλέγοντας μια από τις μεθόδους που περιγράφονται στη συνέχεια.

μέθοδος Α: Τα εξαρτήματα που μπορούν να απολυμάνονται είναι τα **C1.1a-C1.1b-C1.1c-C1.2-C1.3-C1.4-C2-C3-C4-C5-C6** Θα πρέπει να χρησιμοποιηθεί ως απολυμαντικό το ηλεκτρολυτικό χλωροξειδωτικό (ενεργό συστατικό:υποχλωριώδες νάτριο), ειδικό για την απολύμανση ενώ πωλείται σε όλα τα φαρμακεία.

Εκτέλεση:

- Γεμίστε ένα δοχείο κατάλληλου μεγέθους για να περιέχει όλα τα επιμέρους εξαρτήματα που πρόκειται να απολυμανθούν

με ένα διάλυμα νερού και απολυμαντικού, διατηρώντας τις αναλογίες που αναφέρονται στη συσκευασία του ίδιου απολυμαντικού.

- Βυθίστε πλήρως το κάθε εξάρτημα στο διάλυμα, προσέχοντας ώστε να αποφευχθεί ο σχηματισμός φυσαλίδων αέρα που έρχεται σε επαφή με τα συστατικά. Αφήστε τα εξαρτήματα βυθισμένα για την χρονική περίοδο που υποδεικνύεται επί της συσκευασίας του απολυμαντικού σχετικά με την επιλεγμένη συγκέντρωση για την παρασκευή του διαλύματος.
- Ανακτήστε τα εξαρτήματα που έχουν απολυμανθεί και ξεπλύνετε καλά με χλιαρό πόσιμο νερό.
- Απορρίψτε το διάλυμα κατά τις υποδείξεις του κατασκευαστή του απολυμαντικού.

μέθοδος Β: Απολυμάνετε τα παρελκόμενα **C1.1a-C1.1b-C1.1c-C1.2-C1.3-C1.4-C2-C3-C4-C5-C6** μέσω βρασμού στο νερό για 10 λεπτά. Χρησιμοποιήστε αποιονισμένο ή αποσταγμένο νερό για να αποφύγετε ασβεστολιθικές αποθέσεις.

μέθοδος C: Απολυμάνετε τα παρελκόμενα **C1.1a-C1.1b-C1.1c-C1.2-C1.3-C1.4-C2-C3-C4-C5-C6** με ένα αποστειρωτή εν θερμώ για το μπιμπερό τύπου ατμού (όχι μικροκυμάτων). Εκτελέστε τη διαδικασία ακολουθώντας πιστά τις οδηγίες του αποστειρωτή. Για την απολύμανση θα πρέπει να επιλέξετε ένα αποστειρωτή με ένα κύκλο λειτουργίας τουλάχιστον 6 λεπτών. Μετά την εξυγίανση των αξεσουάρ ανακινήστε τα δυνατά και τοποθετήστε τα σε μια χαρτοπετσέτα ή εναλλακτικά στεγνώστε τα με ένα τζετ θερμού αέρα (για παράδειγμα σεσουάρ μαλλιών).

ΚΑΘΑΡΙΣΜΟΣ ΤΟΥ ΚΛΙΝΙΚΟΥ Ή ΝΟΣΟΚΟΜΕΙΑΚΟΥ ΠΕΡΙΒΑΛΛΟΝΤΟΣ - ΑΠΟΛΥΜΑΝΣΗ ΚΑΙ ΑΠΟΣΤΕΙΡΩΣΗ

Πριν και μετά από κάθε απολύμανση ή αποστείρωση, εξυγιάνετε την φύσιγγα και τα παρελκόμενα επιλέγοντας μια από τις μεθόδους που περιγράφεται στη συνέχεια.

μέθοδος Α: Απολυμάνετε τα παρελκόμενα **C1.1a-C1.1b-C1.1c-C1.2-C1.3-C1.4-C2-C3-C4-C5-C6** σε πόσιμο ζεστό νερό (περίπου 40 °C) με ήπιο απορρυπαντικό πιάτων (μη διαβρωτικό).

μέθοδος Β: Απολυμάνετε τα παρελκόμενα **C1.1a-C1.1b-C1.1c-C1.2-C1.3-C1.4-C2-C3-C4-C5-C6** σε πλυντήριο πιάτων με ζεστό κύκλο.

ΑΠΟΛΥΜΑΝΣΗ

Τα εξαρτήματα που μπορούν να απολυμάνονται είναι τα **C1.1a-C1.1b-C1.1c-C1.2-C1.3-C1.4-C2-C3-C4-C5-C6**.

Θα πρέπει να χρησιμοποιηθεί ως απολυμαντικό το ηλεκτρολυτικό χλωροξειδωτικό (ενεργό συστατικό:υποχλωριώδες νάτριο), ειδικό για την απολύμανση ενώ πωλείται σε όλα τα φαρμακεία.

Εκτέλεση:

- Γεμίστε ένα δοχείο κατάλληλου μεγέθους για να περιέχει όλα τα επιμέρους εξαρτήματα που πρόκειται να απολυμανθούν με ένα διάλυμα νερού και απολυμαντικού, διατηρώντας τις αναλογίες που αναφέρονται στη συσκευασία του ίδιου απολυμαντικού.
- Βυθίστε πλήρως το κάθε εξάρτημα στο διάλυμα, προσέχοντας ώστε να αποφευχθεί ο σχηματισμός φυσαλίδων αέρα που έρχεται σε επαφή με τα συστατικά. Αφήστε τα εξαρτήματα βυθισμένα για την χρονική περίοδο που υποδεικνύεται επί της συσκευασίας του απολυμαντικού σχετικά με την επιλεγμένη συγκέντρωση για την παρασκευή του διαλύματος.
- Ανακτήστε τα εξαρτήματα που έχουν απολυμανθεί και ξεπλύνετε καλά με χλιαρό πόσιμο νερό.
- Απορρίψτε το διάλυμα κατά τις υποδείξεις του κατασκευαστή του απολυμαντικού.

Αν θέλετε να πραγματοποιήσετε και ΑΠΟΣΤΕΙΡΩΣΗ περάστε στην ΑΠΟΣΤΕΙΡΩΣΗ.

Μετά την εξυγίανση των αξεσουάρ ανακινήστε τα δυνατά και τοποθετήστε τα σε μια χαρτοπετσέτα ή εναλλακτικά στεγνώστε τα με ένα τζετ θερμού αέρα (για παράδειγμα σεσουάρ μαλλιών).

ΑΠΟΣΤΕΙΡΩΣΗ

Τα αποστειρώσιμα παρελκόμενα είναι **C1 (Εκνεφωτής συναρμολογούνται)-C2-C3-C4-C5-C6**.

Εξοπλισμός: Αποστείρωση ατμού με διαχωρισμένο κενό και υπερπίεση κατά τον κανονισμό EN 13060.

Εκτέλεση: Συσκευάστε κάθε ένα εξάρτημα προς επεξεργασία στο σύστημα ή συσκευασία αποστειρωμένου φραγμού σύμφωνα με το πρότυπο EN 11607. Βάλτε τα συσκευασμένα εξαρτήματα στον αποστειρωτή με ατμό. Εκτελέστε τον κύκλο αποστείρωσης τηρώντας τις οδηγίες χρήσης του εξοπλισμού επιλέγοντας θερμοκρασία 134°C και ένα πρώτο χρονικό διάστημα 10 λεπτών.

Διατήρηση: Διατηρήστε τα αποστειρωμένα εξαρτήματα σύμφωνα με τις οδηγίες του συστήματος ή της συσκευασίας φραγμού αποστείρωσης που έχουν επιλεγεί.

Η διαδικασία αποστείρωσης έχει επικυρωθεί σύμφωνα με το πρότυπο ISO 17665-1.

Στο τέλος κάθε χρήσης αποθηκεύστε την ιατρική συσκευή σε ξηρό και καθαρό χώρο χωρίς σκόνη.

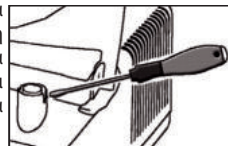
ΦΙΛΤΡΟ ΑΕΡΑ

Η συσκευή είναι εξοπλισμένη με ένα φίλτρο αναρρόφησης (A3) που θα πρέπει να αντικατασταθεί όταν είναι ακάθαρτο ή όταν αλλάζει χρώμα. Μην πλένετε και μη χρησιμοποιείτε ξανά το ίδιο Φίλτρο. Η τακτική αντικατάσταση του φίλτρου είναι αναγκαία για να εξασφαλίζονται οι σωστές επιδόσεις του συμπίεστη. Το φίλτρο θα πρέπει να ελέγχεται τακτικά. Επικοινωνήστε με το μεταπωλητή μας ή το εξουσιοδοτημένο κέντρο σέρβις για τα ανταλλακτικά φίλτρα.

Για την αντικατάσταση του φίλτρου:

Αφαιρέστε το βρώμικο φίλτρο χρησιμοποιώντας ένα κοινό τοιμπίδακι φρυδιών και τοποθετήστε το νέο, σπρώχνοντάς το μέχρι τέρμα στη θέση του. Μην αντικαθιστάτε το φίλτρο κατά τη διάρκεια της χρήσης.

Χρησιμοποιείτε μόνο τα γνήσια αξεσουάρ και ανταλλακτικά FLAEM. Η εταιρεία αποποιείται κάθε ευθύνη σε περίπτωση χρήσης μη γνήσιων ανταλλακτικών και αξεσουάρ.



ΕΝΤΟΠΙΣΜΟΣ ΤΩΝ ΒΛΑΒΩΝ

Πριν πραγματοποιήσετε οποιαδήποτε λειτουργία απενεργοποιήστε την συσκευή και αποσυνδέστε το καλώδιο δικτύου από την πρίζα.

ΠΡΟΒΛΗΜΑ	ΑΙΤΙΑ	ΛΥΣΗ
Η συσκευή δεν λειτουργεί	Το καλώδιο τροφοδοσίας δεν έχει εισαχθεί σωστά στην πρίζα τροφοδοσίας του δικτύου.	Εισάγετε σωστά το καλώδιο τροφοδοσίας στις πρίζες
Η συσκευή δεν νεφελοποιεί ή νεφελοποιεί λίγο	Δεν έχει τοποθετηθεί το φάρμακο στον εκνεφωτή	Χύστε τη σωστή ποσότητα του φαρμάκου στον εκνεφωτή
	Ο εκνεφωτής δεν έχει συναρμολογηθεί σωστά.	Αποσυναρμολογήστε και ξανασυναρμολογήστε τον εκνεφωτή σωστά όπως στο σχήμα της σύνδεσης στο εξώφυλλο.
	Το ακροφύσιο του εκνεφωτή έχει φράξει.	Αποσυναρμολογήστε τον εκνεφωτή, βγάλτε το ακροφύσιο και προχωρήστε στον καθαρισμό. Η παράλειψη καθαρισμού του εκνεφωτή από τις εναποθέσεις του φαρμάκου μπορεί να θέσει σε κίνδυνο την απόδοση και τη λειτουργία. Τηρείτε σχολαστικά τις οδηγίες του κεφαλαίου ΚΑΘΑΡΙΣΜΟΣ, ΕΞΥΓΙΑΝΣΗ, ΑΠΟΛΥΜΑΝΣΗ
	Ο σωλήνας αέρα δεν έχει συνδεθεί σωστά στη συσκευή	Ελέγξτε τη σωστή σύνδεση μεταξύ της πρίζας αέρα της συσκευής και αξεσουάρ (βλέπε διάγραμμα σύνδεσης στο εξώφυλλο).
	Ο σωλήνας του αέρα είναι διπλωμένος ή στριμμένος ή έχει υποστεί ζημιά	Ξετυλίξτε το σωλήνα και βεβαιωθείτε ότι δεν υπάρχουν συνθλίψεις ή σπές. Αν συμβαίνει κάτι τέτοιο αντικαταστήστε τον.
Το φίλτρο του αέρα είναι βρώμικο	Αντικατάσταση φίλτρου	
Η συσκευή κάνει περισσότερο θόρυβο από ότι συνήθως	Το φίλτρο δεν έχει τοποθετηθεί σωστά στη θέση του	Τοποθετήστε σωστά τέρμα το φίλτρο στη θέση του

Αν μετά τον έλεγχο των προϋποθέσεων που περιγράφονται παραπάνω η διάταξη δεν λειτουργεί σωστά απευθυνθείτε στο μεταπωλητή εμπιστοσύνης σας ή στο πιο κοντινό εξουσιοδοτημένο κέντρο σέρβις FLAEM

ΣΥΜΒΟΛΟΓΙΑ



Ιατρικό σήμα ΕΚ αναφ. Οδηγ. 93/42 ΕΟΚ και μετέπειτα ενημερώσεις



Ιατροτεχνολογικό προϊόν κατηγορίας II



Προσοχή ελέγξτε τις οδηγίες χρήσης



Λειτουργική απενεργοποίηση



Λειτουργική ενεργοποίηση



Σύμφωνα με: το Ευρωπαϊκό πρότυπο EN 10993-1 «Βιολογική Αξιολόγηση ιατρικών συσκευών «και την ευρωπαϊκή οδηγία 93/42 / ΕΟΚ» ιατροτεχνολογικών προϊόντων « Απαλλαγμένο από φθαλικές ενώσεις. Σύμφωνα με: Κανον. (CE) αριθ. 1907/2006



Μέγιστη και ελάχιστη θερμοκρασία περιβάλλοντος.



Μέγιστη και ελάχιστη ατμοσφαιρική πίεση.



Σειριακός αριθμός ιατροτεχνολογικού προϊόντος.



Κατασκευαστής



Εφαρμόσιμα εξαρτήματα τύπου BF



Εναλλασσόμενο ρεύμα



Βαθμός προστασίας του περιβλήματος: IP21. (Προστασία από στερεά σώματα μεγέθους πάνω από 12 mm. Προστασία από την πρόσβαση με ένα δάχτυλο. Προστασία από την κάθετη πτώση σταγόνων νερού).



Μέγιστη και ελάχιστη υγρασία αέρα.

ΤΕΧΝΙΚΑ ΣΤΟΙΧΕΙΑ

Μοντ.: CONDOR F2000

Τάση	230V~ 50Hz 210VA	115V~ 60Hz	220V~ 60Hz	100V~50/60Hz
------	------------------	------------	------------	--------------

Μέγιστη πίεση:	3,5 ± 0,5 bar
Παροχή αέρα στην έξοδο του συμπιεστή:	περίπου 14 λ/λεπτό
Επίπεδο θορύβου (1 μ.):	περίπου 55 dB (A)
Λειτουργία:	Συνεχής
Συνθήκες λειτουργίας:	
Θερμοκρασία:	Ελάχ. 10°C; μέγ. 40°C
Υγρασία του αέρα:	Ελάχ. 10%; μέγ. 95%
Ατμοσφαιρική πίεση:	Ελάχ. 69KPa; μέγ. 106KP
Συνθήκες αποθήκευσης:	
Θερμοκρασία:	Ελάχ. -25°C; μέγ. 70°C
Υγρασία του αέρα:	Ελάχ. 10%; μέγ. 95%
Ατμοσφαιρική πίεση:	Ελάχ. 69KPa; μέγ. 106KPa
Διαστάσεις (Μ)×(Β)×(Υ):	20x29,5x10 εκ.
Βάρος:	2,400 Kg

ΕΦΑΡΜΟΣΜΕΝΑ ΕΞΑΡΤΗΜΑΤΑ

Στα εφαρμοσμένα εξαρτήματα τύπου BF (C2, C3, C4, C5, C6) περιλαμβάνονται τα εξής:


Νεφελοποιητής δύο ταχυτήτων RF9

Ελάχιστη χωρητικότητα φαρμάκου	2 ml
Μέγιστη χωρητικότητα φαρμάκου	8 ml
Πίεση λειτουργίας (με νεφελοποιητή):	1,30 bar

ΑΠΟΡΡΙΨΗ ΤΗΣ ΣΥΣΚΕΥΗΣ:

ΕΒάσει της οδηγίας 2012/19/EC, το σύμβολο που απεικονίζεται επάνω στη συσκευή υποδεικνύει ότι η συσκευή προς απόρριψη, θεωρείται ως απόβλητο, και συνεπώς πρέπει να συλλέγεται ξεχωριστά. Ως εκ τούτου, θα πρέπει να παραδώσετε (ή να διασφαλίσετε την παράδοσή) του εν λόγω απόβλητου στα κέντρα χωριστής συλλογής ειδικά σχεδιασμένων από τις τοπικές αρχές, ή να το παραδώσετε στον αντιπρόσωπο κατά την αγορά ενός νέου αντίστοιχου προϊόντος. Η χωριστή συλλογή των αποβλήτων και η επακόλουθη επεξεργασία, αξιοποίηση και διάθεση, ευνοούν την παραγωγή συσκευών με ανακυκλωμένα υλικά και περιορίζουν τις αρνητικές επιπτώσεις στο περιβάλλον και την υγεία που προκαλούνται από κάθε ακατάλληλη διαχείριση των αποβλήτων. Ακατάλληλη διάθεση του προϊόντος από τον χρήστη συνεπάγεται την εφαρμογή των διοικητικών κυρώσεων που προβλέπονται στο άρθρο 50 και ακόλουθων μετατροπών του Νομικού Διατάγματος αρ. 22/1997.

ΗΛΕΚΤΡΟΜΑΓΝΗΤΙΚΗ ΣΥΜΒΑΤΟΤΗΤΑ

 Αυτό το ιατροτεχνολογικό προϊόν έχει σχεδιαστεί για να πληροί τις τρέχουσες απαιτήσεις για την ηλεκτρομαγνητική συμβατότητα (EN 60601-1-2). Οι ηλεκτρικές συσκευές απαιτούν ειδική φροντίδα κατά την εγκατάσταση και τη χρήση, κατά τα προαπαιτούμενα EMC έτσι ώστε να εγκαθίστανται και / ή να χρησιμοποιούνται σύμφωνα με τις προδιαγραφές του κατασκευαστή. Κίνδυνος πιθανών ηλεκτρομαγνητικών παρεμβολών με άλλες συσκευές. Τα συστήματα ράδιο και φορητών τηλεπικοινωνιών ή κινητών συσκευών (κινητά τηλέφωνα ή ασύρματες συνδέσεις) μπορεί να επηρεάσουν τη λειτουργία των ιατρικών ηλεκτρονικών συσκευών. Για περισσότερες πληροφορίες επισκεφθείτε τον ιστότοπό μας www.flaeemhionva.it. Η συσκευή θα μπορούσε να επηρεαστεί από ηλεκτρομαγνητικές παρεμβολές με την παρουσία άλλων συσκευών που χρησιμοποιούνται για ειδική διάγνωση ή θεραπεία. Η εταιρία Flaem διατηρεί το δικαίωμα της πραγματοποίησης τεχνικών και λειτουργικών μετατροπών στο προϊόν χωρίς καμία προειδοποίηση.

ΑΠΟΡΡΙΨΗ ΤΗΣ ΣΥΣΚΕΥΑΣΙΑΣ



Κουτί προϊόντος



Μεμβράνη συρρίκνωσης θερμότητας για αξεσουάρ



Τσάντα συσκευασίας προϊόντος και τσάντα συσκευασίας σωλήνων



Mod.: CONDOR F2000 Urządzenie do aerizoloterapii

Dziękujemy za zakup naszego urządzenia i okazane nam zaufanie. Naszym celem jest osiągnięcie pełnej satysfakcji naszych klientów poprzez oferowanie im innowacyjnych produktów do leczenia chorób dróg oddechowych.

Należy uważnie zapoznać się z treścią instrukcji i zachować ją na przyszłość. Urządzenie używać wyłącznie w sposób opisany w niniejszej instrukcji. Wyrób medyczny przeznaczony do użytku domowego do nebulizacji i podawania leków przepisanych lub zaleconych przez lekarza po ocenie ogólnego stanu pacjenta.

Przypominamy, że pełna gama produktów Flaem jest przedstawiona na stronie internetowej www.fluem.it.

ELEMENTY I AKCESORIA INHALATORA

A - Urządzenie główne

- A1 - Włącznik
- A2 - Wlot powietrza
- A3 - Filtr powietrza
- A4 - Uchwyt na nebulizator
- A5 - Uchwyt
- A6 - Schowek na kabel
- A7 - Kabel zasilający

B - Przewód powietrzny (urządzenie główne/nebulizator)

C - Akcesoria

C1 - Nebulizator RF9

- C1.1 - Kompletny regulator wielkości cząstek
 - C1.1a - Regulator
 - C1.1b - Zawór
 - C1.1c - Przełącznik
- C1.2 - Górna część
- C1.3 - Dysza
- C1.4 - Dolna część
- C2 - Ustnik z zaworem
 - C2.1 - Zawór wydechowy
- C3 - Wtyczka nosowa nieinwazyjna
- C4 - Maski dla dorosłych
- C5 - Maski dziecięca
- C6 - Ręczna regulacja inhalacji

WAŻNA INFORMACJA

- Ten Wyrób Medyczny przeznaczony jest również do bezpośredniego użycia przez pacjenta.
- Przed pierwszym użyciem oraz okresowo w trakcie eksploatacji produktu sprawdzić integralność strukturalną urządzenia i kabla zasilającego, aby upewnić się, że nie doszło do żadnych uszkodzeń. W razie uszkodzenia nie należy wkładać wtyczki i przekazać produkt do autoryzowanego centrum serwisowego firmy FLAEM lub do zaufanego sprzedawcy.
- W przypadku, gdy urządzenie nie spełnia wymagań, należy skontaktować się z autoryzowanym centrum serwisowym w celu uzyskania wyjaśnień.
- Średni okres eksploatacji akcesoriów wynosi 1 rok. Jednakże w przypadku intensywnego użytkowania zaleca się wymianę ampułki co 6 miesięcy (lub wcześniej, w przypadku jej zatkania), aby zapewnić efektywność leczenia.
- W obecności dzieci lub osób niesamodzielnych urządzenie musi znajdować się pod ścisłym nadzorem osoby dorosłej, która zapoznała się z niniejszą instrukcją.
- Niektóre elementy urządzenia charakteryzują się bardzo małym rozmiarem, co stwarza ryzyko połknięcia ich przez dzieci, należy zatem przechowywać je w miejscu niedostępnym dla dzieci.
- Nie używać przewodów i kabli należących do wyposażenia do celów innych niż wskazano, gdyż stwarzają one potencjalne ryzyko uduszenia. Zwrócić szczególną uwagę na dzieci i osoby ze szczególnymi problemami, gdyż nie zawsze są one w stanie poprawnie ocenić występujące zagrożenia.
- Urządzenie nie jest przeznaczone do stosowania z mieszkankami anestetycznymi, które w kontakcie z powietrzem, tlenem lub podtlenkiem azotu stają się łatwopalne.
- Należy uważać, aby kabel zasilający znajdował się z dala od gorących powierzchni.
- Kabel zasilający musi znajdować się z dala od zwierząt (np. gryzoni), które mogłyby uszkodzić jego izolację.
- Nie obsługiwać urządzenia mokrymi dłońmi. Nie należy używać urządzenia w wilgotnym środowisku (np. podczas kąpieli lub pod prysznicem). Nie należy zanurzać urządzenia w wodzie; jeśli to jednak nastąpi, należy bezzwłocznie odłączyć wtyczkę. Nie wolno wyjmować ani dotykać urządzenia zanurzonego w wodzie; najpierw należy wyjąć wtyczkę. Następnie urządzenie należy niezwłocznie przekazać do autoryzowanego serwisu FLAEM lub do odsprzedawcy.
- Urządzenia należy używać jedynie w miejscach wolnych od kurzu, w przeciwnym razie może to niekorzystnie wpływać na terapię.
- Nie wolno myć urządzenia pod bieżącą wodą ani poprzez jego zanurzenie; urządzenie należy chronić przed pryskającą wodą oraz przed innymi płynami.
- Nie wystawiać urządzenia na działanie ekstremalnych temperatur.
- Nie umieszczać urządzenia w pobliżu źródeł ciepła, bezpośredniego promieniowania słonecznego lub w otoczeniu o zbyt wysokiej temperaturze.
- Nie zapychać i nie wkładać żadnych przedmiotów ani do samego filtra, ani do jego gniazda w urządzeniu.
- Nie blokować otworów wentylacyjnych znajdujących się po obu stronach urządzenia.

- Należy zawsze zapewnić działanie urządzenia na twardej powierzchni pozbawionej przeszkód.
- Przed każdym użyciem należy sprawdzić, czy otwory wentylacyjne nie są zatkane.
- Nie wkładać żadnych przedmiotów do otworów wentylacyjnych.
- Naprawy, włączając w to wymianę kabla zasilania, powinny być wykonywane wyłącznie przez autoryzowany personel FLAEM, w oparciu o wskazówki przekazane przez producenta. Naprawy wykonywane bez upoważnienia powodują wygaśnięcie ważności gwarancji i mogą stanowić źródło zagrożenia dla użytkownika.
- Średni przewidziany okres eksploatacji poszczególnych grup sprężarek: F400: 400 godzin, F700: 700 godzin, F1000: 1000 godzin, F2000: 2000 godzin.
- UWAGA: Bez upoważnienia producenta nie wprowadzać żadnych zmian do urządzenia.
- Producent, sprzedawca i importer są odpowiedzialni za bezpieczeństwo, niezawodność i parametry robocze wyłącznie w sytuacji, gdy: a) urządzenie jest eksploatowane zgodnie z instrukcją obsługi; b) instalacja elektryczna w pomieszczeniu eksploatacji urządzenia jest odpowiednia i spełnia wymogi obowiązujących przepisów.
- Interakcje: użyte materiały stykające się z lekami zostały przetestowane w kontakcie z szeroką gamą leków. Jednakże nie jest możliwe całkowite wykluczenie interakcji, z uwagi na różnorodność i ciągły rozwój leków. Zaleca się jak najszybciej zużyć lek po otwarciu oraz unikać przedłużającego się kontaktu z ampulką.
- Problemy i/lub nieprawidłowości związane z działaniem należy zgłaszać producentowi. Jeśli to konieczne, skontaktować się z nim również w celu uzyskania wyjaśnień związanych z użyciem i/lub konserwacją/czyszczeniem.
- Działania uboczne: Materiały użyte w urządzeniu są materiałami biokompatybilnymi zgodnymi z obowiązującymi wymaganiami dyrektywy 93/42 WE i późniejszymi zmianami, jednak nie można całkowicie wykluczyć reakcji alergicznych.
- Czas wymagany na przejście ze stanu przechowywania do stanu roboczego wynosi około 2 godziny.

Zalety ochrony BioCote

Obudowa NebulFlaem 4.0 wykonana jest z ABS zmieszanego z dodatkiem antybakteryjnym BioCote®, który chroni powierzchnię 24 godziny na dobę i zapewnia trwale właściwości przeciwbakteryjne, przeciwgrzybicze i przeciwwirusowe. Przechowywać akcesoria w bezpieczniejszym środowisku.

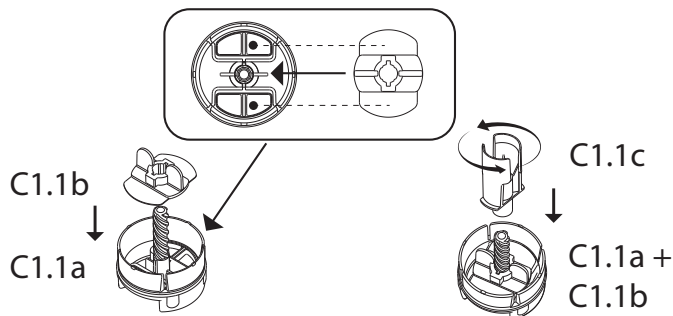
ZESPÓŁ NEBULIZATORA

Należy postępować zgodnie z poniższymi instrukcjami montażu.

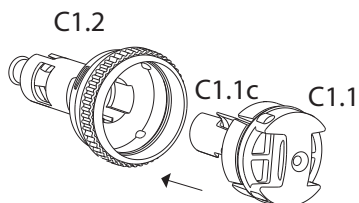
1. Zamontować dyszę (C1.3) na części górnej (C1.2).



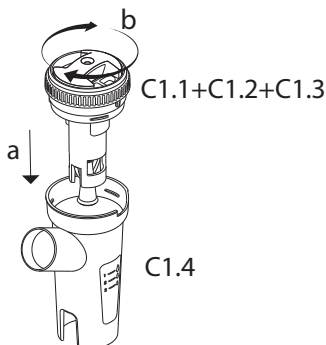
2. Umieścić zawór (C1.1b) na regulatorze wielkości cząstek (C1.1a) płaską stroną zwróconą w dół. Wyrównać otwór z żeberkami ustalającymi, a następnie przykręcić przełącznik (C1.1c) na gwintowanym trzpieniu regulatora aż do oporu. Obrócić zamontowany regulator, aby upewnić się, że obraca się swobodnie i że przełącznik podnosi się i opuszcza między poszczególnymi położeniami.



3. Do części górnej włożyć (C1.2) i wcisnąć do oporu uprzednio zamontowany regulator wielkości cząstek (C1.1), utrzymując go w pozycji poziomej. Dopasować przegródki przełącznika (C1.1c) do wgłębienia w górnej części (C1.2).



4. Włożyć zmontowaną część górną (C1.1+C1.2+C1.3) do części dolnej (C1.4). Zaczepić, obracając zgodnie z ruchem wskazówek zegara.



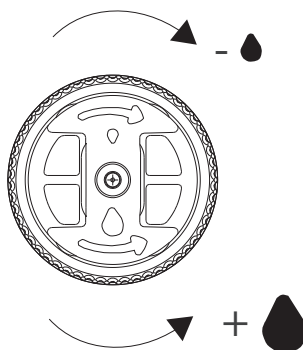
SPOSÓB UŻYCIA NEBULIZATORA RF9 Z REGULATOREM WIELKOŚCI CZĄSTEK I SYSTEMEM ZAWORÓW

Jest to profesjonalny i szybki w obsłudze produkt przeznaczony do podawania wszystkich rodzajów leków, nawet u pacjentów cierpiących na choroby przewlekłe. System zaworów optymalizuje podawanie pacjentowi nebulizowanego leku oraz ogranicza jego rozproszenie. Dzięki regulatorowi wielkości cząstek można dobrać wielkość nebulizowanych cząstek w zależności od leczoney części układu oddechowego. Dzięki 4 możliwym trybom pracy ampulka może dostarczać cząstki o różnych rozmiarach:

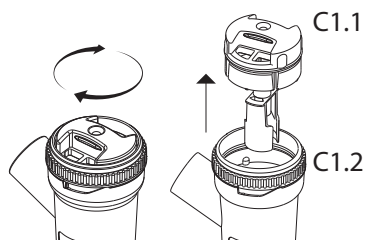
UKŁAD ODDECHOWY	GÓRNE DROGI ODDECHOWE	DOLNE DROGI ODDECHOWE		
	Odcinek ustno-gardłowy	Odcinek tchawiczno-oskrzelowy	Odcinek płucny	Odcinek obwodowy
KONFIGURACJA AMPUŁKI	Bez przełącznika	Przełącznik w położeniu 1	Przełącznik w położeniu 2	Przełącznik w położeniu 3
MMAD (µm)	5,80 ⁽³⁾	4,67 ⁽¹⁾	3,62 ⁽¹⁾	2,56 ⁽¹⁾
Prędkość (ml/min)	0,75 ⁽²⁾	0,54 ⁽²⁾	0,51 ⁽²⁾	0,38 ⁽²⁾
Frakcja respirabilna < 5 µm (FPF)	40,3 ⁽³⁾	54,4 ⁽¹⁾	66,3 ⁽¹⁾	82,2 ⁽¹⁾

(1) Charakterystyka in vitro wykonana przez TÜV Rheinland Italia S.r.l. we współpracy z Uniwersytetem w Parmie i zgodnie z europejskim standardem do urządzeń do terapii aerozolowej – normą EN 13544-1:2007 + A1. Więcej informacji można uzyskać na życzenie. (2) Dane zebrane zgodnie z wewnętrzną procedurą Flaem I29-P07.5. Wartości prędkości nebulizacji mogą różnić się w zależności od wydolności oddechowej pacjenta. Więcej danych dostępnych na żądanie. (3) Dane obliczone na podstawie wartości uzyskanych przy użyciu Malvern Spraytec i porównane z wartościami testów przeprowadzonych na Uniwersytecie w Parmie

Za pomocą regulatora wielkości cząstek C1.1 wybrać żądane położenie. W wyniku obracania regulatora w prawo, przełącznik (C1.1c) przesuwają się, zamykając otwór. Natomiast obrót regulatora w lewo skutkuje jego otwieraniem się.



Aby użyć ampułki bez przełącznika, należy mocno chwycić korpus ampułki, a drugą dłoń obrócić regulator wielkości cząstek (C1.1) w prawo, aż zostanie wypchnięty z górnej części (C1.2).



INSTRUKCJA OBSŁUGI

Przed każdym użyciem należy dokładnie umyć ręce, a następnie wyczyścić urządzenie zgodnie z opisem przedstawionym w rozdziale „CZYSZCZENIE, ODKAŻANIE, DEZYNFEKCJA”. Pojemnik i akcesoria są przeznaczone do użytku osobistego, aby uniknąć ewentualnego zarażenia. Urządzenie przeznaczone jest do podawania produktów leczniczych i innego rodzaju substancji podawanych drogą wziewną. Tego rodzaju substancje powinny być zawsze przepisane przez lekarza. W przypadku substancji o nadmiernej gęstości może być konieczne ich rozcieńczenie odpowiednim roztworem fizjologicznym, zgodnie z zaleceniami lekarza. Podczas użytkowania zalecane jest stosowne zabezpieczenie się przed ewentualnym skapywaniem płynu.

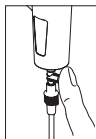
1. Włóż przewód zasilający (A7) do gniazda sieciowego, którego napięcie jest zgodne z określonym przez producenta właściwym zasilaniem dla tego urządzenia. Zadbaj o to, żeby w sytuacji awaryjnej wyjęcie wtyczki z gniazda sieciowego nie stanowiło trudności.
2. Wlej do dolnej części lek przepisany przez lekarza (C1.4). Wsunąć część górną (C1.1+C1.2+C1.3) ampułki w część dolną (C1.4). Zamknąć ampułkę, obracając część górną (C1.2) w prawo. Zamknij nebulizator obracając górną część (C1.2) w kierunku zgodnym z ruchem wskazówek zegara.
3. Podłącz akcesoria jak pokazano w sekcji „Schemat połączeń”.
4. Ustawić przełącznik ampułki na żądaną wielkość cząstek, zgodnie z opisem w rozdziale „SPOSÓB UŻYCIA NEBULIZATORA RF9 Z REGULATOREM WIELKOŚCI CZĄSTEK I SYSTEMEM ZAWORÓW”.
5. Usiądź wygodnie i trzymając za nebulizator umieść ustnik w ustach lub skorzystaj z końcówki do nosa lub maski. Jeżeli korzystasz z maski możesz skorzystać z gumki przytrzymującej maskę do twarzy (jak pokazano na rysunku obok).
6. Uruchom inhalator przez wciśnięcie włącznika (A1). Wdychać aerozol swobodnie i głęboko; zaleca się, aby po wdechu wstrzymać oddech na chwilę, aby krople wdychanego aerozolu mogły osiąść. Następnie wydychać powoli powietrze.
7. Po zakończeniu inhalacji wyłącz urządzenie i odłącz je z prądu.



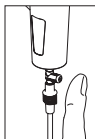
OSTRZEŻENIE: Po pracy inhalatora w przewodzie powietrza może się pojawić osadzająca się wilgoć. Odłącz przewód (B) od nebulizatora i osusz go, używając powietrza wytwarzanego przez sprężarkę.

STOSOWANIE RĘCZNEGO STEROWANIA INHALACJĄ

W celu otrzymania stałego poziomu inhalacji nie należy stosować ręcznego sterowania inhalacją (C6), zwłaszcza w przypadku dzieci lub osób niepełnosprawnych. Ręczne sterowanie inhalacją jest przydatne do redukcji dyspersji leku w otaczającym środowisku

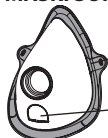


Aby rozpocząć nebulizację, zatkać palcem otwór sterowania ręcznego nebulizacją (C11) i powoli weź głęboki wdech; zaleca się wstrzymanie oddechu na chwilę, by wdychane kropelki aerozolu zdążyły osadzić się wewnątrz organizmu



Aby zakończyć nebulizację, zdejmij palec z otworu sterowania ręcznego nebulizacją – w ten sposób unikasz marnowania leku, optymalizując inhalację. Na koniec zrób powoli wydech.

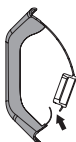
MASKI SOFTTOUCH



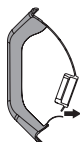
Miękki materiał biocompatybilny

Reduktor Dyspersji

Zewnętrzna część masek **SoftTouch** została wykonana z **miękkiego materiału biokompatybilnego**, który gwarantuje optymalne przyleganie do twarzy. Dodatkowo maski wyposażone są w **innowacyjny Reduktor Dyspersji**. Te charakterystyczne elementy, które wyróżniają naszą markę, pozwalają na większe przyswojenie leku przez organizm pacjenta, a tym samym **ograniczają jego dyspersję**.



W fazie wdechu języczek, który służy za **Reduktor Dyspersji**, przechyla się w stronę wnętrza maski.



W fazie wydechu **języczek**, który służy za **Reduktor Dyspersji**, przechyla się w kierunku zewnętrznej strony maski.

CZYSZCZENIE, ODKAŻANIE, DEZYNFEKCJA i STERYLIZACJA

Przed rozpoczęciem czyszczenia wyłączyć urządzenie i wyjąć wtyczkę kabla z gniazdką.

URZĄDZENIE (A) I ZEWNĘTRZNA STRONA PRZEWODU (B)

Używać tylko wilgotnej ściereczki z antybakteryjnym środkiem czyszczącym (nie trącić, bez dodatku jakichkolwiek rozpuszczalników).

AKCESORIA

Aby zdemontować ampułkę RF9.

Należy mocno chwycić korpus ampułki, a drugą dłonią obrócić regulator wielkości cząstek (C1.1) w prawo, aż zostanie wypchnięty z górnej części (C1.2) w wyniku odkręcania. Następnie można rozmontować poszczególne części (regulator C1.1a, zawór C1.1b, przełącznik C1.1c i górna część C1.2) w celu wyczyszczenia. Dysza (C1.3) montowana jest na wcisk w górnej części (C1.2). Można ją wyjąć, pociągając do zewnątrz.

Aby zdemontować ampułkę RF2.

Następnie postępować zgodnie z poniższymi zaleceniami.

CZYSZCZENIE W WARUNKACH DOMOWYCH - ODKAŻANIE I DEZYNFEKCJA

ODKAŻANIE

Przed i po każdym użyciu, pojemnik i akcesoria należy odkażić w jeden z niżej opisanych sposobów.

metoda A: Odkazić akcesoria **C1.1a-C1.1b-C1.1c-C1.2-C1.3-C1.4-C2-C3-C4-C5-C6** używając ciepłej wody pitnej (około 40°C) i delikatnego płynu do naczyń (nieściernego).

metoda B: Odkazić akcesoria **C1.1a-C1.1b-C1.1c-C1.2-C1.3-C1.4-C2-C3-C4-C5-C6** w zmywarce, stosując cykl z wodą ciepłą.

metoda C: Odkazić akcesoria **C1.1a-C1.1b-C1.1c-C1.2-C1.3-C1.4-C2-C3-C4-C5-C6** poprzez zanurzenie ich w roztworze składającym się w 50% z wody i w 50% z octu białego, następnie spłukać je dużą ilością ciepłej wody pitnej (około 40°C).

Aby wykonać czyszczenie w celu DEZYNFEKCJI, przejdź do rozdziału DEZYNFEKCJA.

Po odkażeniu akcesoriów należy nimi energicznie potrząsnąć i ułożyć je na papierowym ręczniku lub osuszyć strumieniem ciepłego powietrza (np. za pomocą suszarki do włosów).

DEZYNFEKCJA

Po odkażeniu pojemnika i akcesoriów należy je zdezynfekować w jeden z niżej opisanych sposobów.

metoda A: Akcesoria podlegające dezynfekcji: **C1.1a-C1.1b-C1.1c-C1.2-C1.3-C1.4-C2-C3-C4-C5-C6**-Zaopatrzyć się w środek dezynfekujący należący do grupy elektrolitycznych utleniających substancji z zawartością chloru (substancja aktywna: podchloryn sodu) przeznaczonych do dezynfekcji. Można go nabyć w aptece.

Wykonanie:

- Zbiornik o odpowiedniej wielkości, pozwalającej na umieszczenie wszystkich pojedynczych elementów do dezynfekowania, napełnić roztworem wody pitnej i środka dezynfekującego, zachowując proporcje podane na opakowaniu takiego środka.

- Każdą pojedynczą część zanurzyć całkowicie w roztworze, starając się, by nie powstawały pęcherze powietrza stykające się z elementami. Zostawić elementy zanurzone w roztworze przez czas podany na opakowaniu środka dezynfekującego, odpowiednio do wybranego stężenia roztworu.
- Wyjąć zdezynfekowane elementy i wypłukać je w dużej ilości letniej wody pitnej.
- Wylać roztwór zgodnie z zaleceniami podanymi przez producenta środka dezynfekującego.

metoda B: Zdezynfekować akcesoria **C1.1a-C1.1b-C1.1c-C1.2-C1.3-C1.4-C2-C3-C4-C5-C6** poprzez gotowanie ich przez 10 minut; użyć wody demineralizowanej lub destylowanej, aby uniknąć odkładania się osadu wapiennego.

metoda C: Zdezynfekować akcesoria **C1.1a-C1.1b-C1.1c-C1.2-C1.3-C1.4-C2-C3-C4-C5-C6** za pomocą parowego sterylizatora do butelek (nie mikrofalowego). Czynnności wykonać, stosując się ściśle do instrukcji załączonej do sterylizatora. Aby dezynfekcja była skuteczna, należy wybrać sterylizator z przynajmniej 6-minutowym cyklem roboczym.

Po zdezynfekowaniu akcesoriów należy nimi energicznie potrząsnąć i ułożyć je na papierowym ręczniku lub osuszyć strumieniem ciepłego powietrza (np. za pomocą suszarki do włosów).

CZYSZCZENIE W WARUNKACH KLINICZNYCH LUB SZPITALNYCH - DEZYNFEKCJA I STERYLIZACJA

Przed dezynfekcją lub sterylizacją, pojemnik i akcesoria należy odkazić w jeden z niżej opisanych sposobów.

metoda A: Odkazić akcesoria **C1.1a-C1.1b-C1.1c-C1.2-C1.3-C1.4-C2-C3-C4-C5-C6**, używając ciepłej wody pitnej (około 40°C) i delikatnego płynu do naczyń (nieściernego).

metoda B: Odkazić akcesoria **C1.1a-C1.1b-C1.1c-C1.2-C1.3-C1.4-C2-C3-C4-C5-C6** w zmywarce, stosując cykl z wodą ciepłą.

DEZYNFEKCJA

Akcesoria podlegające dezynfekcji: **C1.1a-C1.1b-C1.1c-C1.2-C1.3-C1.4-C2-C3-C4-C5-C6**.

Zaopatrzyć się w środek dezynfekujący należący do grupy elektrolitycznych utleniających substancji z zawartością chloru (substancja aktywna: podchloryn sodu) przeznaczonych do dezynfekcji. Można go nabyć w aptece.

Wykonanie:

- Zbiornik o odpowiedniej wielkości, pozwalającej na umieszczenie wszystkich pojedynczych elementów do dezynfekowania, napełnić roztworem wody pitnej i środka dezynfekującego, zachowując proporcje podane na opakowaniu takiego środka.

- Każdą pojedynczą część zanurzyć całkowicie w roztworze, starając się, by nie powstawały pęcherze powietrza stykające się z elementami. Zostawić elementy zanurzone w roztworze przez czas podany na opakowaniu środka dezynfekującego, odpowiednio do wybranego stężenia roztworu.

- Wyjąć zdezynfekowane elementy i wypłukać je w dużej ilości letniej wody pitnej.

- Wylać roztwór zgodnie z zaleceniami podanymi przez producenta środka dezynfekującego.

W przypadku chęci wykonania także STERYLIZACJI, przejdź do rozdziału STERYLIZACJA.

Po zdezynfekowaniu akcesoriów należy nimi energicznie potrząsnąć i ułożyć je na papierowym ręczniku lub osuszyć strumieniem ciepłego powietrza (np. za pomocą suszarki do włosów).

STERYLIZACJA

Akcesoria podlegające sterylizacji: **C1 (nebulizator zmontowany)-C2-C3-C4-C5-C6**.

Sprzęt: Sterylizator parowy z próżnią frakcjonowaną i nadciśnieniem, zgodny z normą EN 13060.

Wykonanie: Zapakować każdy pojedynczy komponent przeznaczony do czyszczenia w system lub w opakowanie z barierą sterylną zgodnie z normą EN 11607. Włożyć zapakowane komponenty do sterylizatora parowego. Przeprowadzić cykl sterylizacji zgodnie z instrukcją obsługi urządzenia, wybierając temperaturę 134°C i czas 10 pierwszych minut.

Przechowywanie: Sterylizowane komponenty należy przechowywać zgodnie z zasadami opisanymi w instrukcji obsługi systemu lub w opakowaniu z barierą sterylną.

Procedura sterylizacji została zatwierdzona zgodnie z normą ISO 17665-1.

Po zakończeniu używania urządzenie przechowywać wraz z akcesoriami w suchym miejscu, chronionym przed kurzem.

WYMIANA FILTRA POWIETRZA

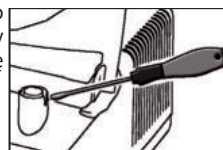
Aparat wyposażony jest w filtr powietrza (A3), który należy wymieniać, gdy jest zabrudzony lub zmienia się jego kolor. Nie myj ani nie używaj zużytego filtra. Filtr należy wymieniać regularnie, aby zapewnić optymalne działanie kompresora. W kwestii filtrów zapasowych należy skontaktować się ze

sprzedawcą urządzenia lub autoryzowanym serwisem.

Abymy wymienić filtr:

Wyciągnąć zabrudzony filtr za pomocą standardowej pęsety do manicure. Włożyć nowy filtr, umieszczając go dokładnie w gnieździe. Nie wymieniać filtra podczas użytkowania urządzenia.

Należy używać wyłącznie oryginalnych akcesoriów i części zamiennych Flaem. Nie ponosimy żadnej odpowiedzialności w przypadku stosowania nieoryginalnych części zamiennych lub akcesoriów.



WYSZUKIWANIE USTEREK

Przed rozpoczęciem jakiegokolwiek czynności wyłączyć urządzenie i wyjąć wtyczkę kabla z gniazdka.

PROBLEM	PRZYCZYNA	NAPRAWA
Urządzenie nie działa	Kabel zasilający jest nieprawidłowo przyłączony do gniazda urządzenia lub gniazda zasilania	Prawidłowo włożyć kabel zasilający do gniazda.
Urządzenie nie rozpyla lub rozpyla w niewielkim stopniu	Do nebulizatora nie włożono leku.	Umieścić odpowiednią ilość leku w nebulizatorze.
	Nebulizator nie został zamontowany poprawnie.	Poprawnie wymontować i zamontować nebulizator, jak pokazano na schemacie połączenia na okładce.
	Dysza nebulizatora jest zatkana.	Wymontować nebulizator, zdjąć dyszę i wyczyścić. Brak czyszczenia nebulizatora z pozostałości po leku zagraża jego sprawności i działaniu. Należy ściśle przestrzegać instrukcji rozdziału CZYSZCZENIE, ODKAŻANIE, DEZYNFEKCJA i STERYLIZACJA.
	Przewód powietrza nie jest prawidłowo przyłączony do urządzenia.	Sprawdzić poprawność połączenia między otworem powietrza urządzenia i akcesoriami (patrz schemat połączeń na okładce).
	Przewód powietrza jest zagnieciony, uszkodzony lub zwinięty.	Rozwinąć przewód i sprawdzić, czy nie występują na nim zagniecenia lub otwory. Jeśli to konieczne, wymienić go.
	Filtr powietrza jest zabrudzony	Wymienić filtr.
Urządzenie pracuje głośniejsz niż zwykle	Filtr nie jest włożony poprawnie do gniazda.	Poprawnie dopchnąć filtr do końca.

Jeżeli po sprawdzeniu wyżej opisanych warunków urządzenie nadal nie pracuje sprawnie, należy skontaktować się z odsprzedawcą lub z najbliższym autoryzowanym serwisem FLAEM.

SYMBOLE



Medycznych CE dla wyrobów medycznych, ref. dyr. 93/42 EEC z późniejszymi zmianami



Urządzenie klasy II



Ważne ostrzeżenia: należy zapoznać się z treścią instrukcji obsługi



Wyłączenie funkcjonalne



Włącznik funkcjonalny włączony



Zgodne z Europejskim standardem EN 10993-1 Biologiczna ocena wyrobów medycznych i 93/42/ EWG Dyrektywa Urządzeń. Nie zawiera ftalanów. Zgodne z: Rozp. (WE) nr 1907/2006



Minimalna i maksymalna temperatura otoczenia



Minimalne i maksymalne ciśnienie atmosferyczne



Numer seryjny urządzenia



Producent



Stosowane części typu BF



Prąd zmienny



Stoień ochrony obudowy: IP21.
(Zabezpieczona przed ciałami stałymi o wielkości większej niż 12mm. Zabezpieczona przed włożeniem palca. Zabezpieczona przed kroplami wody spadającymi pionowo.)



Minimalna i maksymalna wilgotność powietrza

DANE TECHNICZNE

Mod.: CONDOR F2000

Napięcie:	230V~ 50Hz 210VA	115V~ 60Hz	220V~ 60Hz	100V~50/60Hz
-----------	------------------	------------	------------	--------------

Ciśnienie max:	3,5 ± 0,5 bar
Wydajność kompresora:	ok. 14 l/min
Poziom głośności: (z odległości 1m):	ok. 55 dB (A)
Tryb pracy:	praca ciągła

Warunki pracy

Temperatura:	Mín 10°C; Máx 40°C
wilgotność powietrza:	Mín 10%; Máx 95%
ciśnienie atmosferyczne:	Mín 69KPa; Máx 106KPa

Условия хранения:

Temperatura:	Mín -25°C; Máx 70°C
wilgotność powietrza:	Mín 10%; Máx 95%
ciśnienie atmosferyczne:	Mín 69KPa; Máx 106KPa
Wymiary (W)x(D)x(H):	20 x 29,5 x 10 cm
Waga:	2,400 Kg

STOSOWANE CZĘŚCI

Urządzenie typu BF:	Części (C2, C3, C4, C5)
---------------------	-------------------------

RF9 Nebulizator

Minimalna pojemność:	2 ml
Maksymalna pojemność:	8 ml
Ciśnienie robocze (z nebulizatorem):	1,30 bar.

KOMPATYBILNOŚĆ ELEKTROMAGNETYCZNA

To urządzenie zostało zaprojektowane zgodnie z aktualnymi wymaganiami dotyczącymi kompatybilności elektromagnetycznej (EN 60601-1-2). Medyczne urządzenia elektryczne wymagają szczególnej uwagi w zakresie EMC podczas instalacji i użytkowania. Dlatego konieczne jest ich zainstalowanie i użytkowanie zgodnie z instrukcjami producenta. Ryzyko możliwej interferencji elektromagnetycznej z innymi urządzeniami. Mobilne lub przenośne urządzenia radiowe i telekomunikacyjne RF (telefony komórkowe lub połączenia bezprzewodowe) mogą zakłócać działanie urządzeń medycznych. Aby uzyskać więcej informacji, odwiedź stronę internetową www.flaemnuova.it. Urządzenie może być wrażliwe na zakłócenia elektromagnetyczne w obecności innych urządzeń używanych do określonych diagnoz lub zabiegów. Flaem zastrzega sobie prawo do wprowadzania zmian technicznych i funkcjonalnych w produkcie bez uprzedniego powiadomienia.

LIKwidacja URZĄDZENIA



Zgodnie z Dyrektywą 2012/19/WE symbol umieszczony na sprzęcie oznacza, że podlega on zbiorce selektywnej i w taki sposób winien być usuwany. W związku z tym użytkownik jest zobowiązany dostarczyć (lub zlecić odbiór) takiego odpadu do punktów zbiórki selektywnej, działających na podstawie zezwoleń wydawanych przez władze lokalne, lub dostarczyć go do sprzedawcy w momencie zakupu nowego sprzętu o tym samym przeznaczeniu.

Zbiórka selektywna odpadów i późniejsze ich przetwarzanie, odzyskiwanie i usuwanie pozwalają na rozwój produkcji sprzętu przy wykorzystaniu materiałów pochodzących z recyklingu i ograniczają negatywny wpływ na środowisko i na zdrowie, występujące w przypadku nieprawidłowego gospodarowania odpadami. Nienależyte przeprowadzona utylizacja urządzenia przez użytkownika skutkuje nałożeniem sankcji administracyjnych określonych treścią przepisów transpozycji dyrektywy 2012/19/WE państwa członkowskiego lub kraju, na terenie którego ma miejsce utylizacja produktu.

♻️ UTYLIZACJA OPAKOWAŃ



Pudełko produktu



Folia termokurczliwa na akcesoria



Torba do pakowania produktu i worek do pakowania w tubę

NebulFlaem^{4.0}

موديل Mod. CONDOR F2000
جهاز للعلاج بالهباء الجوي أو الرذاذ

نحن سعداء لشرائكم هذا المنتج ونشكركم على ثقافتكم بنا.
هدفنا الأول والأساسي هو تحقيق الرضا الكامل لعملائنا وذلك بتوفيرنا لهم منتجات متقدمة لها الصدارة في مجال علاج أمراض الجهاز التنفسي. يرجى قراءة كتيب التعليمات هذا بدقة وحرص والاحتفاظ به للرجوع إليه مستقبلاً عند الضرورة. استخدموا الجهاز فقط بالطريقة المحددة والموصوفة في هذا الكتيب. هذا الجهاز هو جهاز طبي للاستخدام المنزلي للرذاذ وإعطاء الأدوية الموصوفة أو الموصى بها من قبل طبيبك الخاص.

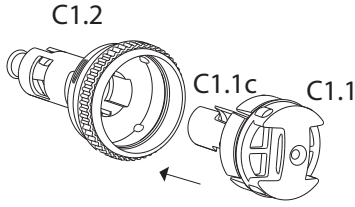
نذكركم بأنه يمكن الاطلاع على مجموعة منتجات Flaem على موقع الإنترنت www.flaem.it

يشتمل الجهاز في مكوناته التقليدية والقياسية على ما يلي:

A - جهاز الهباء الجوي (وحدة أساسية)	C - الملحقات التشغيلية
A1 - مفتاح قاطع	C1 - بخاخ RF9
A2 - مأخذ هواء	C1.1 - منظم حجم الحبوب كامل
A3 - مرشح هواء	C1.1A - منظم
A4 - باب القئينة	C1.1B - صمام
A5 - مقبض للنقل والتحرك	C1.1C - مفتاح انقضاء
A6 - تجويف لتجميع الكابل	C1.2 - جزء علوي
A7 - كابل توصيل التيار الكهربائي	C1.3 - قوّهة
	C1.4 - جزء سفلي
B - أنبوب توصيل (الوحدة الأساسية \ القئينة)	C2 - لسان الحال مع الصمام
	C2.1 - صمام الزفير
	C3 - أنف غير جراحي
	C4 - قناع للبالغين
	C5 - قناع أطفال
	C6 - تحكّم يدوي بالرش 1 - صمام زفير

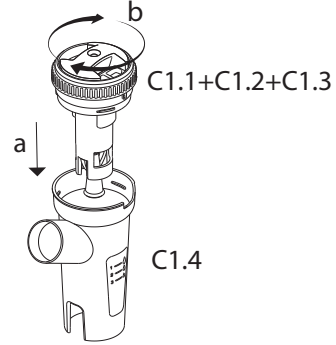
⚠ تحذيرات هامة

- هذا الجهاز مخصص أيضاً لاستخدامه مباشرةً من قبل المريض.
- قبل أول استخدام للجهاز، وبصورة دورية أثناء عمر المنتج، يرجى فحص سلامة هيكل الجهاز وسلك التغذية الكهربائية للتأكد من عدم وجود أي أضرار؛ إن تبين تلف الجهاز، لا تقم بتوصيل القابس وأحضر المنتج على الفور إلى مركز الدعم الفني المعتمد (انظر الورقة الخاصة بخدمة الدعم الفني) أو بإحضاره إلى بائعكم محل الثقة.
- في حالة عدم قيام جهازكم بالالتزام بمعدلات الأداء، اتصلوا بمركز الدعم الفني المعتمد من أجل الحصول على إيضاحات.
- متوسط عمر الملحقات التشغيلية المفترض هو سنة واحدة ويُصحّح في جميع الأحوال باستبدال القئينة كل 6 شهور في حالات الاستخدام المكثفة (أو قبل أن تتآكل) وذلك لضمان الحصول على أعلى كفاءة تشغيلية علاجية ممكنة.
- عند وجود أطفال أو أشخاص لا يستطيعون الاعتماد على أنفسهم ذاتياً، يجب أن يكون استخدامهم للجهاز تحت ملاحظة شديدة وقريبة من قبل أحد الأشخاص البالغين بعد قراءته لدليل إرشادات وتعليمات استخدام هذا الجهاز.
- بعض مكونات الجهاز صغيرة الحجم جداً مما قد يزيد من خطر ابتلاعها من قِبل الأطفال؛ لذلك احفظ الجهاز بعيداً عن متناول يد الأطفال.
- لا تستخدموا الأنابيب والكابلات الواردة خارج الاستخدام المنصوص عليه، فإنه قد تسبب خطر الاختناق، قم بتوجيه انتباه خاص للأطفال وإلى الأشخاص الذين يعانون من صعوبات خاصة، فإن هؤلاء الأشخاص لا يتمكنون غالباً من تقييم الأخطار بشكل صحيح.
- هذا الجهاز غير مناسب للاستخدام في حالة وجود خليط تخدير قابل للاشتعال في وجود الهواء، أو مع الأكسجين أو مع أكسيد النيتروجين. احرص على إبقاء كابل الإمداد الكهربائي بعيداً عن الأسطح الساخنة.
- احفظوا كابل التغذية بعيداً عن الحيوانات (على سبيل المثال، القوارض)، وإلا فإن هذه الحيوانات قد تُتلف عزل كابل التغذية.
- لا تتعامل مع الجهاز ببيدين مبلتين. لا تستخدم الجهاز في البيئات الرطبة (على سبيل المثال أثناء التواجد في المرحاض أو أثناء الاغتسال).
- لا تمسروا الجهاز في الماء؛ إن حدث ذلك افصلوا القابس فوراً. لا تستخرجوا ولا تلمسوا الجهاز المغمور في الماء. افصلوا القابس أولاً. أحضروه فوراً إلى مركز الدعم الفني المعتمد من فلامي أو إلى بائعكم محل الثقة.
- لا تستخدم الجهاز إلا في الأماكن الخالية من الأتربة وإلا سيتضرر العلاج.
- لا تغسلوا الجهاز تحت الماء الجاري أو عن طريق غسسه في الماء وحافظ عليه بعيداً عن التعرض لرذاذ الماء أو لأيّة سوائل أخرى.
- لا تعرّض الجهاز لدرجات الحرارة المرتفعة للغاية.



3. أدخل منظم حجم الحبوب المُجمَع سابقاً (C1.1)، واضغط عليه حتى النهاية، واحتفظ به في الموضع الأفقي، في الجزء العلوي (C1.2)، ومقابلة حواجز مفتاح الانتقاء (C1.1c) مع تجويف الجزء العلوي (C1.2).

4. أدخل الجزء العلوي المجمع (+ C1.2 + C1.1 (C.13 في الجزء السفلي (C1.4)، واربطه عن طريق قلبه في اتجاه عقارب الساعة.



طرق استخدام الرذاذ RF9 مع منظم حجم الجسيمات ونظام الصمام
 محترف وسريع ومخصص لإدارة جميع أنواع الأدوية حتى بالنسبة للمرضى بأمراض مزمنة. يعمل نظام الصمام على تحسين تشتت الدواء المرذد إلى المريض، ويحد من تشتته في البيئة، علاوة على ذلك، بفضل منظم حجم الجسيمات، يمكن تحديد حجم الجسيمات المرذدة وفقاً لمنطقة الجهاز التنفسي الذي يُقدم به العلاج المقصود. مصمم بـ 4 أوضاع ممكنة، في الواقع، يمكن للأميول أن يوزع جزيئات مختلفة الأحجام:

المسالك التنفسية السفلية			المسالك التنفسية العلوية	الجهاز التنفسي
العلاج الطرفي	العلاج الرئوي	العلاج الرغامي القصبي	العلاج الفموي البلعومي	
مفتاح في الوضع 3	مفتاح في الوضع 2	مفتاح في الوضع 1	بدون مفتاح انتقاء	إعداد الأميول
(1) 2.56	(1) 3.62	(1) 4.67	(3) 5.80	MMAD (ميكرون)
(2) 0.38	(2) 0.51	(2) 0.54	(2) 0.75	السرعة (مل/دقيقة)
(1)82.2%	(1)66.3%	(1)54.4%	(3)40.3%	الجزء القابل للاستنشاق (>5 ميكرون (FPF))

(1) يتم إجراء التوصيف المجهرى المختبري من قبل TÜV Rheinland Italia S.r.l. بالتعاون مع جامعة بارما وفقاً للمعايير الأوروبية لأجهزة العلاج بالأيروسول بموجب القانون EN 13544- A1 + 2007:1. يمكن حسب الطلب توفير معلومات أكثر تفصيلاً حول ذلك.
 (2) البيانات مُقيّمة وفقاً للإجراء الداخلي Flaem I29-P07.5 قد تختلف قيم سرعة التسليم وفقاً لقدرة المريض التنفسية، ويتوفر مزيد من التفاصيل عند الطلب.
 (3) البيانات المحسوبة على أساس القيم التي تم الحصول عليها مع Malvern Spraytec ومقارنة مع قيم الاختبارات التي أجريت في جامعة بارما

- لا تضع الجهاز بالقرب من مصادر الحرارة ولا تحت أشعة الشمس ولا في الأماكن شديدة الحرارة.
- لا تسد المرشّح ولا تدخل أيّة أشياء لا فيه ولا في المكان المخصّص له في الجهاز.
- لا تسد فتحات التهوية الواقعة على جانبي الجهاز.
- استخدم الجهاز دائماً وهو موضوع على سطح صلب وخالي من أيّة معوقات.
- تأكد من عدم وجود المواد التي تعيق فتحات التهوية قبل كل استعمال.
- لا تدخل أي أشياء في فتحات التهوية.
- لا يجب أن تُنفذ عمليات الإصلاح، بما في ذلك استبدال كابل التغذية الكهربائية إلا من قِبل طاقم عمل معتمد من شركة فلام، بإتباع المعلومات الواردة من الشركة المصنعة. عمليات الإصلاح الغير مصرّح بها تُلغي الضمان ويمكن أن تُمثّل خطراً على المستخدم.
- متوسط العمر المتوقع للضاغط هو ٤٠٠ ساعة.
- انتبه: لا تُعيّل هذا الجهاز دون تصريح من الشركة المصنعة.
- لا تُعتبر الشركة المصنعة والبائع والمستورد مسؤولون عن الآثار الخاصة بالسلامة والمصدقية ومعدلات الأداء إلا (إذا: أ) تم استخدام الجهاز طبقاً لتعليمات الاستخدام؛ (ب) تم استخدام الشبكة الكهربائية للمكان الموجود به الجهاز طبقاً للقوانين السارية.
- تفاعلات: المواد المستخدمة في صناعة الجهاز والتي تلامس الأدوية المعالج بها تمّ اختبارها مع مجموعة كبيرة من الأدوية. ولكن بالرغم من ذلك، نظراً لتنوع الأدوية واختلافها الكبير إضافة إلى تطوّرها المستمر، ليس من الممكن أن نستبعد كلياً حدوث تفاعلات. ننصح بتناول واستخدام الأدوية بعد فتحها بأسرع وأقرب وقت ممكن كما ننصح بعدم تعريضها لفترات طويلة للهواء وهي داخل حاوياتها. تعد المواد المستخدمة في الجهاز الطبي مواد مطابقة بيولوجياً وتلتزم باللوائح المتسقة مع التوجيه CE ٤٢/٩٣ وتعديلاته اللاحقة، ومع ذلك لا يمكن استبعاد بشكل كامل حدوث ردود فعل من الحساسية.
- سيتعين الاتصال بالشركة المصنعة من أجل الإبلاغ عن المشكلات و/أو الأحداث غير المتوقعة، المتعلقة بالتشغيل وإن لزم الأمر من أجل الحصول على إيضاحاتٍ متعلقة بالاستخدام و/أو الصيانة/النظافة.
- الوقت اللازم للانتقال من حالات الحفظ إلى حالات التشغيل هو ساعتين تقريباً

فوائد حماية BIOCOTE

حاوية **NEBULFLAEM 4.0** مصنوعة من مادة **ABS** الممزوجة بمضادات الميكروبات المضافة **BIOCOTE**، مما يجعل الأسطح محمية على مدار **24 ساعة** في اليوم، وتوفر خصائص مضادة للبكتيريا والفطريات والفيروسات بشكل دائم. قم بتخزين الملحقات في بيئة أكثر أماناً.

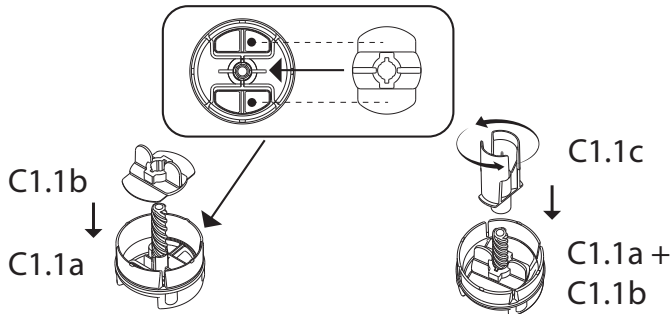
تجميع الرذاذة

اتبع تعليمات التجميع الواردة أدناه.

1. قم بتجميع الفوهة (C1.3) على الجزء العلوي (C1.2).

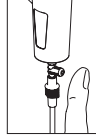


2. ضع الصمام (C1.1b) على منظم حجم الحبوب (C1.1a) مع جعل الجانب المسطح لأسفل ومحاذة الفتحة مع أضلاع الموضع، ثم اربط مفتاح الانتقاء (C1.1c) على المسامير المولوب بالمنظم حتى نهاية شوط الربط. أدر منظم التجميع للتأكد من أنه يدور بحرية وأن مفتاح الانتقاء يرتفع وينخفض بين موضع وآخر.

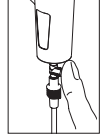


استخدام المفتاح اليدوي البخاخ للحصول على عملية بخ رذاذي متواصلة دون تقطيع يُصبح بعدم استخدام مفتاح البخاخ اليدوي (C6) خاصة في حالة استخدام الجهاز مع الأطفال أو مع الأشخاص المُعالين. يُستخدم مفتاح البخاخ اليدوي للحد من تشتت الدواء المعالج في البيئة المحيطة.

وفي هذه الأثناء، لإيقاف عملية البخ، ارفع الإصبع عن فتحة مفتاح التشغيل اليدوي لعملية البخ وبذلك تتجنب تشتت الدواء المعالج في البيئة المحيطة الأمر الذي يعظم الاستفادة منه. ازرعوا بعد ذلك بطيء.

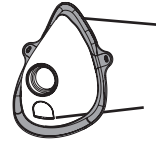


لتفعيل عملية البخ قوموا بسد فتحة مفتاح التشغيل اليدوي لعملية البخ (C6) باستخدام أحد الأصابع ثم اشغطوا الهباء برفق حتى العمق؛ يُصبح بعد الاستنشاق بإبقاء الهباء المستنشق لبرهة داخل الرئتين بالشكل الذي يسمح لقطرات الهباء الجوي المُستنشقة بالترسب



أقنعة الاستنشاق SOFTTOUCH

قناعات استنشاق SoftTouch لها حافة خارجية مصنوعة من مادة طرية متوافقة بيولوجياً تضمن الانساق التام بالوجه كما أنها مزودة بمحدد تشتت متبكر. هذه المواد المميزة التي تميز هذه القناعات عن غيرها تسمح بترسيب الأدوية العلاجية داخل المريض كما أنه يحدد في هذه الحالة من تشتت الأدوية العلاجية في البيئة المحيطة.

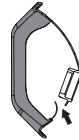


مرنة مادة التصنيع متوافقة بيولوجياً محدد التشتيت

في مرحلة الشطف يقوم اللسان الذي يعمل كمُحدّد تشتت للأدوية المعالجة بالانحناء ناحية داخل القناع.



في مرحلة الشطف يقوم اللسان الذي يعمل كمُحدّد تشتت للأدوية المعالجة بالانحناء ناحية خارج القناع.



التنظيف والتطهير والتعقيم

اطفي الجهاز قبل البدء في أية عملية تنظيف، ثم انزع كابل توصيل التيار الكهربائي عن مأخذ التيار.

الجهاز والجزء الخارجي من الأنابيب

استخدموا فقط قطعة قماش مبللة بوسائل تنظيف مضاد للبكتيريا (منظّف غير كاشط وخالي من المذيبات بمختلف أنواعها).

الملحقات التشغيلية

لتفكيك الأمبول، امسك جسم الأمبول بإحكام، وباليد الأخرى أدر منظم حجم الجسيمات (C1.1) في اتجاه عقارب الساعة حتى يتم طرده من الجزء العلوي (C1.2) بسبب تأثير الفك. يمكن بعد ذلك الانتقال إلى التفكيك اللاحق للمكونات (المنظم C1.1a، الصمام C1.1b، مفتاح الانتقاء C1.1c والجزء العلوي C1.2) من أجل تنظيفهم. يتم تثبيت الفوهة (C1.3) عن طريق التداخل في الجزء العلوي (C1.2)، ويمكن استخراجها ببساطة عن طريق سحبها إلى الخارج.

التطهير

قبل وبعد كل استخدام، قوموا بتطهير القنينة وباقي ملحقات الجهاز التشغيلية باتتباع واستخدام إحدى الطرق الآتية:

الطريقة A: طهروا الملحقات التشغيلية C1.1-C1.2-C1.1c-C1.1b-C1.1a-C1.3-C1.4-C2-C3-C4-C5-C6 بالماء الساخن الصالح للشرب (حوالي ٤٠ درجة مئوية) مع استخدام منظف محفّف يُستخدم لتنظيف الأطباق (غير كاشط).

الطريقة B: طهروا الملحقات التشغيلية C1.1-C1.2-C1.1c-C1.1b-C1.1a-C1.3-C1.4-C2-C3-C4-C5-C6 في غسالة الأطباق بدورة غسيل ساخنة.

الطريقة C: طهروا الملحقات التشغيلية C1.1-C1.2-C1.1c-C1.1b-C1.1a-C1.3-C1.4-C2-C3-C4-C5-C6 وذلك عن طريق غمسها في محلول مكون من ٥٠٪ مياه و ٥٠٪ خل أبيض، ثم في النهاية قوموا بشطف هذه الملحقات جيداً بماء ساخن صالح للشرب (حوالي ٤٠ درجة مئوية).

إذا ما رغبتم أيضاً في القيام بعملية التنظيف كعملية تطهير وتعقيم يمكنكم تحطّي فصل التطهير.

بعد تطهير الملحقات التشغيلية، رجّوا هذه الملحقات التشغيلية بقوة ثم افردوها على منشفة تجفيف ورقية، أو بدلاً من ذلك جفّفوها باستخدام تيار هواء ساخن (باستخدام مجفف شعر على سبيل المثال).

التعقيم

بعد القيام بعملية تطهير القنينة والملحقات التشغيلية الأخرى، قوموا بتعقيمها باتتباع إحدى الطرق الآتية:

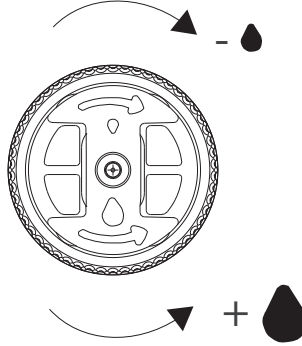
الطريقة A: الملحقات التشغيلية القابلة للتعقيم هي C1.1-C1.2-C1.1c-C1.1b-C1.1a-C1.3-C1.4-C2-C3-C4-C5-C6 يجب أن يكون وسائل التعقيم المستخدم من النوعية المؤكسدة كلورياً

والإليكترولينية (مبدأ نشط: هيبوكلوريت الصوديوم)، والمحدد للتطهير والتعقيم والمتوفّر في جميع الصيدليات.

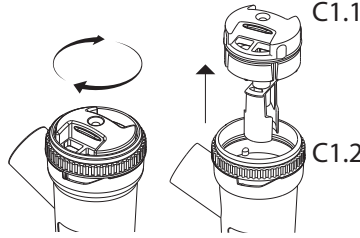
الإجراء:

- قم بملء وعاء ذا أبعاد مناسبة ليحوي جميع المكونات المراد تعقيمها بالوسائل المكوّن أساساً من الماء الصالح للشرب ووسائل التعقيم، مع ضرورة احترام النسب المحددة والموجودة على علبة وسائل التعقيم المُستخدم.

حدد الموضوع المطلوب باستخدام منظم حجم الجسيمات C1.1. من خلال تدوير المنظم في اتجاه عقارب الساعة، يتحرك مفتاح الانتقاء (C1.1c) لإغلاق الفتح، والذي يفتح بدلاً من ذلك عن طريق تدوير المنظم إلى اتجاه عقارب الساعة.



لاستخدام أداة الأمبول دون مفتاح الانتقاء، امسك جسم الأمبول بإحكام، ومن جهة أخرى، أدر منظم حجم الجسيمات (C1.1) في اتجاه عقارب الساعة حتى يتم طرده من الجزء العلوي (C1.2)



تعليمات الاستخدام

قبل كل مرة تستخدم فيها الجهاز، اغسل يديك بعناية وإحرص أيضاً على تنظيف الجهاز الخاص بك كما هو محدد في فقرة "التنظيف والتطهير والتطهير الجرثومي والتعقيم". يُنصح، أثناء الاستخدام، بحماية الجهاز ونفسك كمستخدم بشكل مناسب من القطرات المحتمل تساقطها منه. القارورة وملحقاتها مخصص للاستخدام الفردي الشخصي فقط لتجنب التعرض لأخطار انتقال المرض بالعدوى. إن هذا الجهاز ملائم لإعطاء مواد طبية وغير طبية، والتي يتم النص على تناولها عن طريق الهباء الجوي، وفي جميع الأحوال يجب أن توصف هذه المواد من قبل الطبيب. في حالة الكثافة العالية لهذه المواد، فإنه من الضروري تخفيفها بمحلول فسيولوجي مناسب وذلك طبقاً لوصف الطبيب.

1. قم بإدخال كابل توصيل التيار الكهربائي (A6) في مأخذ للتيار في الشبكة التي يجب أن تتناسب قوة التيار فيها قوة التيار المطلوبة للجهاز. يجب أن يكون مأخذ التيار أيضاً في مكان قريب من السهل الوصول إليه بسرعة عند الحاجة إلى فصل التيار عن الجهاز بشكل سريع.

2. صب الدواء الذي وصفه الطبيب في الجزء السفلي (C1.4). أدخل الجزء العلوي (C1.1+C1.2+C1.3) من الأمبول في الجزء السفلي (C1.4)، أغلق الأمبول عبر لف الجزء العلوي (C1.2) في اتجاه عقارب الساعة.

أغلق الغنينة عن طريق لف الجزء العلوي (C1.2) في اتجاه عقارب الساعة.

3. وصل الملحقات التشغيلية كما هو موضح في "جدول التوصيلات".

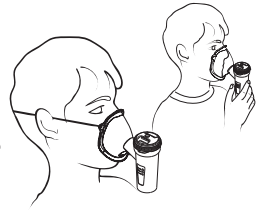
4. اضبط مفتاح انتقاء الأمبول لحجم الجسيمات المطلوب كما هو موضح في الفقرة «طرق استخدام الأمبول RF9»

5. اجلس بشكل مريح لك مع الإمساك بالبخاخ في يدك، ثم قم بوضع فوهة على فمك أو قم باستخدام قناع الأنف أو قناع الاستنشاق. في حالة استخدامك للملحق التشغيلي قناع الاستنشاق، ضعه على الوجه كما هو محدد في الشكل (مع أو بدون استخدام خيط التثبيت المرن).

6. شغل الجهاز باستخدام مفتاح التشغيل والمفصل (A1) ثم تنفس شهيقاً وزيئاً بعمق.

7. بعد الانتهاء من استخدام الجهاز، قم بإطفاء الجهاز ثم ازرع كابل التيار الكهربائي.

انتبه: إذا تكونت كمية ملحوظة من الرطوبة داخل الأنبوب (B) بعد انتهاء الجلسة العلاجية، قم بفصل الأنبوب عن البخاخ ثم قم بتجفيفه باستخدام مروحة الضاغط (المكبس) نفسه؛ تعمل هذه الطريقة على تجنب تكاثر العفن والفطريات داخل الأنبوب.



تحديد الأعطال

قبل تنفيذ أية عملية أطفنوا الجهاز وافصلوا كابل الشبكة من مأخذ التيار.

المشكلة	السبب	الحل
الجهاز لا يعمل	كابل التغذية غير مُدخل بشكل صحيح في نقطة التوصيل بالجهاز أو في مأخذ نقطة توصيل التغذية من الشبكة	أدخل كابل التغذية بشكل صحيح في المقابس
الجهاز لا يرش الرذاذ أو يرش قليلاً	لم يتم وضع الدواء في البخاخ	صُب الكمية الصحيحة من الدواء داخل البخاخ
	لم يتم تركيب البخاخ بصورة صحيحة.	قم بفك وإعادة تركيب البخاخ بصورة صحيحة على النحو المشار إليه في مخطط التوصيل الوارد بالغللاف.
	يوجد انسداد بقوة البخاخ	قم بفك البخاخ، وانزع الفوهة ونفذ عمليات التنظيف الخاصة بها. عدم القيام بنظافة البخاخ من رواسب الأدوية يقلل من كفاءته ومن عمله. اتبع بدقة التعليمات الواردة في فصل النظافة والتنظيف الصحي والتطهير
	لكشبه اوها بوبنا ليصوت متو مل زالمجلاب يحصم	تحقق من التوصيل الصحيح بين مأخذ الهواء بالجهاز و الملحقات التشغيلية (انظر مخطط التوصيل الوارد بالغللاف).
	أنبوب الهواء مثنى أو تالف أو ملتوي	قم بفرد الأنبوب وتأكد من عدم وجود كسر أو ثقب به. في حالة العثور على ذلك قم باستبداله.
	مرشح الهواء متسخ	استبدل المرشح
الجهاز يصدر ضوضاء أكثر من المعتاد	لم يتم وضع المرشح بصورة صحيحة في مقره	أرج المرشح بشكل صحيح حتى نهايته في مقره

بعد التأكد من الظروف الواردة عاليه، إن استمر الجهاز في عدم العمل بشكل الصحيح، ننصحكم بالتوجه إلى بائعكم محل الثقة أو إلى مركز الدعم الفني المعتمد من فلايم الأقرب لكم.

الرموز

العلامة التجارية CE طبقاً لمرجعية التوجيه CEE 93/42 والحدديثات التالية له



الجهاز من اللغة الثانية



تنبيه اتبع تعليمات الاستخدام



بما يتطابق مع: القاعدة الأوروبية EN10993-1 الخاصة بـ"التقييم البيولوجي للأجهزة الطبية" وبالشكل الذي يتطابق أيضاً مع التوجيه الأوروبي EEC/93/42 الخاص بـ"الأجهزة الطبية". خالي من مادة الفثالات. بما يتطابق مع: التوجيه الأوروبي (CE) رقم 1907/2006



حرارة المكان الصغرى والقصوى



الضغط الجوي الأدنى والأقصى



رقم مسلسل الجهاز



الشركة المصنعة



جزء مستخدم من نوع BF



مفتاح القطع الوظيفي مقنوح



درجة حماية جسم الجهاز IP21. (محمي ضد الأجسام الصلبة ذات الأحجام الأعلى من 12 مم. محمي ضد دخول الإصبع؛ محمي ضد السقوط الرأسي لقطرات الماء).

IP21

الحدان الأقصى والأدنى لمستوى الرطوبة



- اغمر كل مكون في سائل التعقيم بشكل كامل مع الحرص على عدم تكوّن فقاعات هواء عند ملامسة المكونات لهذا السائل. اتركوا المكونات مغمورة للفترة الزمنية المحددة على علبة سائل التعقيم، والمرتبطة بنسبة التركيز المختارة لتجهيز سائل التعقيم.
- اخرجوا المكونات المعقّمة، ثم اشطفوها بغزارة بالماء الفاتر الصالح للشرب.
- تخلصوا من محلول التعقيم وفقاً للتعليمات والإرشادات التي تحددها الشركة المصنّعة لسائل التطهير والتعقيم.
- الطريقة B:** قوموا بتطهير الملحقات التشغيلية C6-C5-C4-C3-C2-C1.4-C1.3-C1.1a-C1.1b-C1.1c-C1.2-C1.1. عن طريق غليها في الماء لمدة ١٠ دقيقة؛ استخدموا مياه منزوعة المعادن أو مُقطرة لتجنب تكون الترسبات الجيرية.
- الطريقة C:** عَمِّمُوا الملحقات التشغيلية C6-C5-C4-C3-C2-C1.4-C1.3-C1.1a-C1.1b-C1.1c-C1.2-C1.1 باستخدام جهاز تعقيم بالماء الساخن مثل المُستخدم مع زجاجة الرضاعة من النوعية التي تعمل بالبخار (وليس بالميكروويف). قوموا بهذا الإجراء متبعين إرشادات استخدام جهاز التعقيم بكل دقّة. وحتى تكون عملية التعقيم فعالة اختاروا جهاز تعقيم بدورة تشغيلية مدتها على الأقل ٦ دقائق.
- بعد تعقيم الملحقات التشغيلية، رُجِّها بقوة ثم افردوها على منشفة ورقية، أو بدلاً من ذلك جفّفها بتيار هواء ساخن (على سبيل المثال باستخدام مجفف شعر).

التنظيف في البيئة السريرية أو المستشفى - تطهير جرثومي وتعقيم

- قبل التطهير الجرثومي والتعقيم طهروا القنينة وملحقاتها التشغيلية باتباع واستخدام إحدى الطرق الآتية.
- الطريقة A:** طهروا الملحقات C6-C5-C4-C3-C2-C1.4-C1.3-C1.1a-C1.1b-C1.1c-C1.2-C1.1 باستخدام الماء الساخن الصالح للشرب (حوالي 40 درجة مئوية) باستخدام منظف محفّف يُستخدم لتنظيف الأطباق (غير كاشط).
- الطريقة B:** طهّر الملحقات التشغيلية C6-C5-C4-C3-C2-C1.4-C1.3-C1.1a-C1.1b-C1.1c-C1.2-C1.1 في غسّالة أطباق بدورة بالماء الساخن.

التطهير

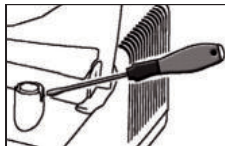
- الملحقات القابلة للتطهير هي C6-C5-C4-C3-C2-C1.4-C1.3-C1.1a-C1.1b-C1.1c-C1.2-C1.1. يجب أن يكون سائل التعقيم المُستخدم من النوعية المؤكيدة كلورياً والإليكتروليتيّة (مبدأً نشط: هيبوكلوريت الصوديوم)، والمحدّد للتطهير والتعقيم والمتوفّر في جميع الصيدليات.
- التنفيذ:**

- املاً وعاء بحجم مناسب لاحتواء كافة القطع اللازم تطهيرها بمحلول مكون من الماء الصالح للشرب ومطهر، مع الالتزام بالنسب المشار إليها على عبوة المطهر نفسه.
- اغمر تماماً كل قطعة منفردة في المحلول، مع الانتباه إلى تجنب تكون فقاعات الهواء بشكل ملامس للقطع. اترك المكونات مغمورة للفترة الزمنية المحددة على علبة سائل التطهير، والمرتبطة بنسبة التركيز المختارة لتجهيز سائل التعقيم.
- استعيد القطع المطهرة واشطفها بغزارة بماء فاتر صالح للشرب.
- تخلص من المحلول وفقاً للإرشادات الواردة من الشركة المنتجة للمطهر.
- إذا ما رغبت أيضاً في القيام بعملية التعقيم أيضاً يمكن تحطّي فصل التعقيم.
- بعد تطهير الملحقات التشغيلية من الجراثيم، رُجِّها بقوة ثم افردوها على منشفة ورقية، أو بدلاً من ذلك جفّفها بتيار هواء ساخن (على سبيل المثال باستخدام مجفّف شعر).

التعقيم

- يمكن تعقيم الملحقات C1 (البخاخات المُجمعة) C6-C5-C4-C3-C2.
- الجهاز: جهاز تعقيم بالبخار يعمل مع وجود فراغ مجزأ وضغط زائد مطابق للقاعدة الأوروبية EN 13060.
- التنفيذ:** غلّف كل ملحق تشغيلي سيتمّ معالجته باستخدام نظام أو تغليف ذي حواجز معقمة مطابق للقاعدة EN 11607. أدخل المكونات المغلفة في جهاز التعقيم. قم بتشغيل دورة التعقيم مع مراعات تعليمات استخدام الجهاز باختيار درجة حرارة 134 درجة مئوية وزمن 10 دقائق أولى.
- الحفظ:** قم بحفظ المكونات المعقمة وفقاً لتعليمات استخدام النظام أو التعبئة في الحاجر المعقم المختار.
- عملية التعقيم مصدق عليها بالتوافق مع ISO 17665-1.
- في نهاية كل استخدام أعد وضع الجهاز الطبي كاملاً بملحقاته في مكان جاف ومحمي من الغبار.

ترشيح الهواء



تمّ تزويد الجهاز بمرشّح شفط (A3) يتمّ استبداله عندما يتسخ أو عندما يتغيّر لونه. لا تغسل هذا المرشّح ولا تعيد استخدامه مرّة أخرى. من الضروري استبدال هذا المرشّح بشكل دوري وذلك حتى تضمن الحصول على أفضل أداء تشغيلي لموآد الضغط. يجب فحص الفلتر بشكل منتظم.

لا تستبدل المرشّح أثناء الاستخدام. استخدم فقط الملحقات وقطع الغيار الأصلية من فلام، تُخلي الشركة مسؤليتها في حالة استخدام قطع الغيار أو الملحقات الغير أصلية.

موديل CONDOR F2000

230V ~ 50Hz 210VA

بار 0,5 ± 3,5

14 لتر/دقيقة تقريباً

55 (A) dB تقريباً

مستمر

تيار التغذية:

الحد الأقصى للضغط:

سعة هواء مؤد الضغط:

الضوضاء (من مسافة 1 م):

التشغيل:

ظروف وشروط التشغيل:

درجة الحرارة:

مستوى رطوبة الهواء:

الضغط الجوي:

ظروف وشروط التخزين:

درجة الحرارة:

مستوى رطوبة الهواء:

الضغط الجوي:

الأبعاد:

الوزن:

أجزاء تطبيقية

الأجزاء التطبيقية نوعية BF هي:

ملحقات تشغيلية للمريض (C2, C3, C4, C5)

المرآة RF9

الحد الأدنى للسعة الاستيعابية للدواء المعالج:

2 مل

الحد الأقصى للسعة الاستيعابية للدواء المعالج:

8 مل

الضغط التشغيلي (مع الأمبول):

1,30 بار

المطابقة الكهرومغناطيسية

تم دراسة هذا الجهاز وتصميمه ليُقوم بتلبية المتطلبات والشروط المحددة حالياً من أجل تحقيق مبدأ التوافق الكهرومغناطيسي (EN 60 60601-1-2). الأجهزة الكهربائية الطبية تتطلب عالية خاصة، في مرحلة التركيب والاستخدام، فيما يتعلق بائشرطاط المطابقة الكهرومغناطيسية، وبالتالي فإننا نطلب أن يتم تركيبهم و/أو استخدامهم وفقاً لما حدده الشركة المصنعة. خطر التداخل الكهرومغناطيسي المحتمل مع أجهزة أخرى. أجهزة الراديو والاتصالات اللاسلكية المحمولة أو الأجهزة المحمولة العاملة بترددات الراديو (الهواتف الخلوية أو التوصيلات اللاسلكية) قد تتداخل مع تشغيل الأجهزة الكهربائية الطبية. لمزيد من المعلومات يُرجى زيارة موقعنا على شبكة الإنترنت www.flaemnuova.it قد يكون الجهاز الطبي عرضةً للتداخل الكهرومغناطيسي في وجود أجهزة أخرى مستخدمة في تشخيصاتٍ نوعية أو عمليات علاج. تحتفظ شركة فلايم بحقها في إدخال تعديلاتٍ فنية وتشغيلية على المنتج دون أي إخطار مسبق.

التخلص من الجهاز

بالتطابق مع التوجيه الأوروبي CE/2012/19، يشير الرمز الموجود على الجهاز بأن هذا الجهاز المراد التخلص منه يعتبر من النفايات، ويجب بالتالي أن يتم تجميعه ووضع وفقاً لنظام "تجميع النفايات وفقاً لنوعيتها". يجب بالتالي على المستخدم أن يقوم بتسليم (أو أن يطلب تسليم) هذه النوعية من النفايات إلى مراكز الجمع المنفصل للنفايات المحددة من قبل الإدارات المحلية، أو القيام بتسليمه إلى الوكيل التوزيع عند شراء جهاز جديد من نفس نوعية الجهاز المراد التخلص منه. تساعد عملية الجمع المنفصل للنفايات وما يليها من عمليات معالجة واستعادة وتفكيك في إنتاج أجهزة ومعدات جديدة باستخدام المواد المدورة المعاد تصنيعها الأمر الذي يقلل من التأثيرات السلبية لهذه النفايات على البيئة وعلى الصحة عند التعامل معها بشكل غير مناسب أو غير مسئول. عملية التخلص من المنتجات بشكل غير سليم وغير قانوني من قبل المستخدم تعرض المستخدم ومن يقوم بهذه العملية إلى العقوبات الإدارية الواردة في التوجيه الأوروبي CE/2012/19 للبلد العضو أو الدولة التي يتم فيها التخلص من الجهاز.

التخلص من العبوات

صندوق المنتج



كيس تغليف المنتج وحقيبة تغليف الأنبوب



ملحقات فيلم الانكماش الحراري



**WARRANTY - GARANTIE - GARANTÍA
ΕΓΓΥΗΣΗ - GWARANCJA - ضمان**

EN >The warranty will be provided by the local retailer in accordance with the applicable laws.

DE > Die Garantie wird vom lokalen Händler in Übereinstimmung mit den geltenden Tiefstwerten gewährt.

FR > La garantie sera fournie par le détaillant local conformément aux minima applicables.

NL > De garantie wordt door de plaatselijke winkelier verstrekt in overeenstemming met de van toepassing zijnde dieptepunten.

ES > La garantía será provista por el minorista local de acuerdo con los mínimos aplicables.

EL > Η εγγύηση παρέχεται από τον τοπικό αντιπρόσωπο σύμφωνα με τα ισχύοντα ελάχιστα.

PL > Gwarancja zostanie udzielona przez lokalnego sprzedawcę zgodnie z obowiązującymi minimami.

AR < سيتم توفير الضمان من قبل بائع التجزئة المحلي وفقاً لأدنى مستوياته.



FLAEM NUOVA S.p.A.
Via Colli Storici, 221
25015 S. MARTINO DELLA BATTAGLIA
(Brescia) – ITALY
Tel. +39 030 9910168 r.a.
Fax +39 030 9910287
www.flaem.it

© 2021 FLAEM NUOVA® All right reserved
cod. 19232-0 Rev. date 05/2021
(TUV A1)