

# CHAMPION

## GLOBAL POWER EQUIPMENT

TM-MC

OWNER'S MANUAL & OPERATING INSTRUCTIONS

# PORTABLE INVERTER GENERATOR



This manual covers the following models:

**71001I (EU/SC) / 72301 (EU/SC)**

**72120I / 73001I (EU/SC)**

**73001I-P (EU/SC) / 73120I**

ENGLISH

SVENSKA

DEUTSCH

NORSK

SUOMEN KIELI

EESTI

FRANÇAIS

POLSKI

### SAVE THESE INSTRUCTIONS

Important Safety Instructions  
are included in this manual.

# INTRODUCTION

---

## Introduction

Congratulations on purchasing your inverter generator. Please follow these instructions and maintain it correctly.

## Portable Power Generator

This unit is a petrol engine driven AC generator used for supply electrical power.

## Accessories

CPE manufactures and supplies a series of accessories. See local dealer for more information.

## This Booklet

We reserve the right to change, alter or improve the product and this manual without prior notice.

---

Record the model and serial numbers as well as date and place of purchase for future reference. Have this information available when ordering parts and when making technical or warranty inquiries.

Champion Power Equipment Support
Model Number
Serial Number
Date of Purchase
Purchase Location
For <b>Oil Type</b> see 'Add Engine Oil' section. For <b>Fuel Type</b> see 'Add Fuel' section.

Please familiarize yourself with the following symbols. The safety symbol and key words are safety warnings. Follow all safety messages to avoid accidents or injury.

## DANGER

DANGER indicates an imminently hazardous situation which, if not avoided, **will** result in death or serious injury.

## WARNING

WARNING indicates a potentially hazardous situation which, if not avoided, **could** result in death or serious injury.

## CAUTION

CAUTION indicates a potentially hazardous situation which, if not avoided, **may** result in minor or moderate injury.

## CAUTION

CAUTION used without the safety alert symbol indicates a potentially hazardous situation which, if not avoided, **may** result in property damage.

## NOTE

If you have questions regarding your generator, we can help. Please contact your local dealer.

# SAFETY RULES

## WARNING

Read this manual thoroughly before operating your generator. Failure to follow instructions could result in serious injury or death.

## WARNING

The engine exhaust from this product contains chemicals that are known to cause serious health problems and even death.

## DANGER

Generator exhaust contains carbon monoxide, a colourless, odourless, poison gas. Breathing carbon monoxide will cause nausea, dizziness, fainting or death. If you start to feel dizzy or weak, get to fresh air immediately.

Operate generator outdoors only in a well ventilated area.

DO NOT operate the generator inside any building, including garages, basements, crawlspaces and sheds, enclosure or compartment, including the generator compartment of a recreational vehicle. DO NOT allow exhaust fumes to enter a confined area through windows, doors, vents or other openings.

**DANGER CARBON MONOXIDE:** using a generator indoors **CAN KILL YOU IN MINUTES.**

## DANGER

Rotating parts can entangle hands, feet, hair, clothing and/or accessories.  
Traumatic amputation or severe laceration can result.

Keep hands and feet away from rotating parts.  
Tie up long hair and remove jewelry.  
Operate equipment with guards in place.  
DO NOT wear loose-fitting clothing, dangling drawstrings or items that could become caught.

## WARNING

This product contains a button battery. If swallowed, it could cause severe injury or death in just 2 hours. Seek medical attention immediately.

## DANGER

Generator produces powerful voltage.

DO NOT touch bare wires or receptacles.  
DO NOT use electrical cords that are worn, damaged or frayed.

DO NOT operate generator in wet weather.  
DO NOT allow children or unqualified persons to operate or service the generator  
Use a ground fault circuit interrupter (GFCI) in damp areas and areas containing conductive material such as metal decking.  
Use approved transfer equipment to isolate generator from your electric utility and notify your utility company before connecting your generator to your power system.

## WARNING

Sparks can result in fire or electrical shock.

### When servicing the generator:

Disconnect the spark plug wire and place it where it cannot contact the plug.  
DO NOT check for spark with the plug removed.  
Use only approved spark plug testers.

## WARNING

Running engines produce heat. Severe burns can occur on contact.  
Combustible material can catch fire on contact.

DO NOT touch hot surfaces.  
Avoid contact with hot exhaust gases.  
Allow equipment to cool before touching.  
Maintain at least 3 ft. (91.4 cm) of clearance on all sides to ensure adequate cooling.  
Maintain at least 5 ft. (1.5 m) of clearance from combustible materials.

## WARNING

Medical and Life Support Uses.

In an emergency, call emergency services immediately.  
NEVER use this product to power life support devices or life support appliances.  
NEVER use this product to power medical devices or medical appliances.  
Inform your electricity provider immediately if you or anyone in your household depends on electrical equipment to live.  
Inform your electrical provider immediately if a loss of power would cause you or anyone in your household to experience a medical emergency.

## DANGER

Fuel and fuel vapours are highly flammable and extremely explosive. Unintentional start up can result in serious injury.

### When adding or removing fuel:

Turn the generator off and let it cool for at least two minutes before removing the fuel cap. Loosen the cap slowly to relieve pressure in the tank. Only fill or drain fuel outdoors in a well-ventilated area. DO NOT pump petrol directly into the generator at the petrol station. Use an approved container to transfer the fuel to the generator. DO NOT overfill the fuel tank. Always keep fuel away from sparks, open flames, pilot lights, heat and other sources of ignition. DO NOT light or smoke cigarettes.

### When starting the generator:

DO NOT attempt to start a damaged generator. Make certain that the petrol cap, air filter, spark plug, fuel lines & exhaust system are properly in place. Allow spilled fuel to evaporate fully before attempting to start the engine. Make certain that the generator is resting firmly on level ground.

### When operating the generator:

DO NOT move or tip the generator during operation. DO NOT tip the generator or allow fuel or oil to spill.

### When transporting or servicing the generator:

Make certain that the fuel shutoff valve is in the off position and the fuel tank is empty. Disconnect the spark plug wire.

### When storing the generator:

Store away from sparks, open flames, pilot lights, heat and other sources of ignition.

## WARNING

Operation of this equipment may create sparks that can start fires around dry vegetation.

A spark arrestor may be required. The operator should contact local fire agencies for laws or regulations relating to fire prevention requirements.

## WARNING

Rapid retraction of the starter cord will pull hand and arm towards the engine faster than you can let go which can result in serious injury.

When starting engine, pull the starter cord slowly until resistance is felt and then pull rapidly to avoid kickback.  
DO NOT start or stop the engine with electrical devices plugged in.

## CAUTION

Exceeding the generator's running capacity can damage the generator and/or electrical devices connected to it.

DO NOT overload the generator. Start the generator and allow the engine to stabilize before connecting electrical loads. Connect electrical equipment in the off position, and then turn them on for operation. Turn electrical equipment off before stopping the generator. DO NOT tamper with the governed speed. DO NOT modify the generator in any way.

## CAUTION

Improper treatment or use of the generator can damage it, shorten its life and void your warranty.

Use the generator only for intended uses. Operate only on level surfaces. DO NOT expose generator to excessive moisture, dust, or dirt. DO NOT allow any material to block the cooling slots. If connected devices overheat, turn them off and disconnect them from the generator. DO NOT use the generator if:

- Electrical output is lost
- Equipment sparks, smokes or emits flames
- Equipment vibrates excessively

# ASSEMBLY

---

Your generator requires some assembly. This unit ships from our factory without oil. It must be properly serviced with fuel and oil before operation.

If you have any questions regarding the assembly of your generator, call your local dealer. Please have your serial number and model number available.

## Remove the Generator from the Shipping Carton

1. Set the shipping carton on a solid, flat surface.
2. Remove everything from the carton except the generator.
3. Using the carrying handles of the unit, carefully remove the generator from the box. (two people lifting is recommended)

## Connecting the Battery (Electric start models)

1. Using a screwdriver, remove the two (2) maintenance cover screws from the battery maintenance cover.
2. Once the screws have been removed, the rubber pull-tab on the cover can be pulled out to help loosen and dislodge the maintenance cover. (A)
3. Remove the battery maintenance cover. (A)
4. Cut zip tie that is binding the battery cables together.
5. Using a screwdriver, unscrew the battery bolt in the red, positive (+) battery terminal.
6. Connect the red, positive (+) wire lead to the positive (+) terminal on the battery using the bolt.
7. Pull rubber sheath over battery cable connection and battery terminal.
8. Repeat steps 5-7 for the black, negative (-) battery wire lead and black, negative (-) battery terminal.

## Connecting the Battery Cont'd.

### NOTE

If the battery cables are not visible once the battery maintenance cover has been removed, please note that cables may be tucked up above the battery, not in plain view.

## Add Engine Oil

### CAUTION

DO NOT attempt to crank or start the engine before it has been properly filled with the recommended type and amount of oil. Damage to the generator as a result of failure to follow these instructions will void your warranty.

### No oil in unit

The recommended oil type is 10W-30 automotive oil.

1. Place the generator on a flat, level surface.
2. Loosen the cover screws and remove the maintenance cover.

### NOTE

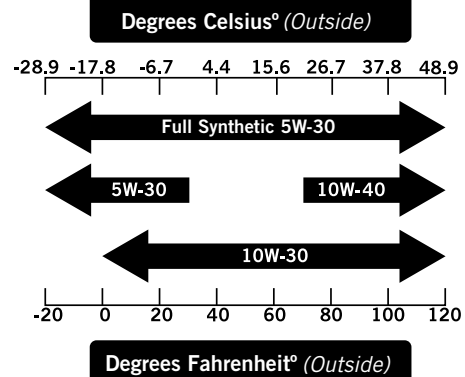
Once oil has been added, a visual check should show oil about 1-2 threads from running out of the fill hole. If using the dipstick to check oil level, DO NOT screw in the dipstick while checking.

### NOTE

Check oil often during the break-in period. Refer to the Maintenance section for recommended service intervals.

3. Remove oil fill cap/dipstick to add oil.
4. Add oil and replace oil fill cap/dipstick. DO NOT OVERFILL.
5. Check engine oil level daily and add as needed.

## Add Engine Oil Cont'd.



### CAUTION

The engine is equipped with a low oil shut-off and will stop when the oil level in the crankcase falls below the threshold level.

### NOTE

The generator rotor has a sealed, pre-lubricated ball bearing that requires no additional lubrication for the life of the bearing.

### NOTE

We consider the first 5 hours of run time to be the break-in period for the unit. During the break in period stay at or below 50% of the running watt rating and vary the load occasionally to allow stator windings to heat and cool. Adjusting the load will also cause engine speed to vary and help seat piston rings. After the 5 hour break-in period, change the oil.

### NOTE

Synthetic oil may be used after the 5 hour initial break-in period. Using synthetic oil does not increase the recommended oil change interval.

### NOTE

Weather will affect engine oil and engine performance. Change the type of engine oil used based on weather conditions to suit the engine needs.

# ASSEMBLY

## Add Fuel

1. Use clean, fresh, regular unleaded fuel with a minimum octane rating of 85 and an ethanol content of less than 10% by volume.
2. DO NOT mix oil with fuel.
3. Clean the area around the fuel cap.
4. Remove the fuel cap.
5. Slowly add fuel to the tank. DO NOT OVERFILL. Fuel can expand after filling. A minimum of 1/4 in. (6.4 mm) of space left in the tank is required for fuel expansion, more than 1/4 in. (6.4 mm) is recommended. Fuel can be forced out of the tank as a result of expansion if it is overfilled, and can affect the stable running condition of the product. When filling the tank, it is recommended to leave enough space for the fuel to expand.
6. Screw on the fuel cap and wipe away any spilled fuel.

### CAUTION

Use regular unleaded petrol with a minimum octane rating of 85.

Do not mix oil and petrol.

Fill tank to approximately 1/4 in. (6.4 mm) below the top of the tank to allow for fuel expansion.

DO NOT pump petrol directly into the generator at the petrol station. Use an approved container to transfer the fuel to the generator.

DO NOT fill fuel tank indoors.

DO NOT fill fuel tank when the engine is running or hot.

DO NOT overfill the fuel tank.

DO NOT light cigarettes or smoke when filling the fuel tank.

### WARNING

Pouring fuel too fast through the fuel screen may result in blow back of fuel at the operator while filling.

## Add Fuel Cont'd.

### NOTE

Our engines work well with 10% or less ethanol blend fuels. When using blended fuels there are some issues worth noting:

- Ethanol-gasoline blends can absorb more water than gasoline alone.
- These blends can eventually separate, leaving water or a watery goo in the tank, fuel valve and carburetor.
- With gravity-fed fuel supplies, this compromised fuel can be drawn into the carburetor and cause damage to the engine and/or potential hazards.
- There are only a few suppliers of fuel stabilizer that are formulated to work with ethanol blend fuels.
- Any damages or hazards caused by using improper fuel, improperly stored fuel, and/or improperly formulated stabilizers, are not covered by manufacture's warranty.

It is advisable to always shut off the fuel supply, run the engine to fuel starvation and drain the tank when the equipment is not in use for more than 30 days.

## Grounding

Your generator must be properly connected to an appropriate ground to help prevent electric shock.

### WARNING

Failure to properly ground the generator can result in electric shock.

A ground terminal connected to the frame of the generator has been provided on the power panel. For remote grounding, connect of a length of heavy gauge (12 AWG minimum) copper wire between the generator ground terminal and a copper rod driven into the ground. We strongly recommend that you consult with a qualified electrician to ensure compliance with local electrical codes.



## Generator Location

Never operate the generator inside any building! (See safety warnings section). In some areas generators must be registered with the local utility company. Generators used on construction sites may be subject to local rules and regulations. Keep on a flat, level surface. Generators must have at least 5 ft (1.5m) clearance from all combustible material. In addition they must have at least 3 ft (91.4cm) of clearance on all sides to allow for adequate cooling, maintenance and servicing. Generators should never be started or operated in any location that will not allow for adequate cooling of the generator and/or the muffler. Allow generators to cool before storage or transportation. Do not place the generator near any vents or intakes. Carefully consider wind and air currents when placing generator.

**Failure to follow proper safety precautions may void manufacturer's warranty.**

### **WARNING**

Do not operate or store the generator in rain, snow, or wet weather.

Using a generator or electrical appliance in wet conditions, such as rain or snow, or near a pool or sprinkler system, or when your hands are wet, could result in electrocution.

### **WARNING**

During operation the muffler and exhaust fumes produced will become hot. If adequate cooling and breathing space are not supplied, or if the generator is blocked or contained, temperatures can become extremely heated and may lead to fire.

## Grounding

The generator system ground connects the frame to the ground terminals on the power panel.

- The generator (stator winding) is isolated from the frame and from the AC receptacle ground pin.
- Electrical devices that require a grounded receptacle pin connection will not function if the receptacle ground pin is not functional, unless the neutral wire is bonded to the frame.

## Wireless Remote Start (Optional Feature)

Wireless remote starting is only possible **within 80 feet** of the generator. (Wireless signal may not pass through some solid objects.)

Do not attempt to adjust the carburetor choke. The remote and electric system will automatically close and open the choke.

1. Make certain the generator is on a flat, level surface.
2. Turn off all electrical loads connected to the generator. Never start or stop the generator with electrical devices turned on.
3. Turn the Fuel Valve to the "ON" position.
4. Press the Battery Switch to "ON".
5. Press the Ignition Switch to "ON".
6. WIRELESS REMOTE START: press and release the "START" button on the handheld Remote Control device. DO NOT hold the button down, only press the button once. The engine will attempt to start six times.
7. If the generator fails to start, check the battery condition and cable connections.

### **NOTE**

The supplied 12V 7AH battery does re-charge while the engine is running, but it is also recommended that the battery be fully charged at least once per month.

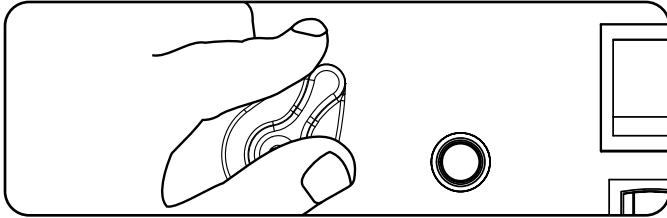
### **NOTE**

When the battery switch is in the "ON" position, the switch will light up if the battery is sending out a charge. If the switch does not light up while in the "ON" position, check that the battery connection is still good.

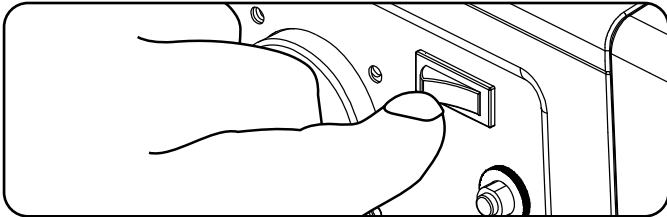
# OPERATION

## Electric (Optional) and Recoil Start

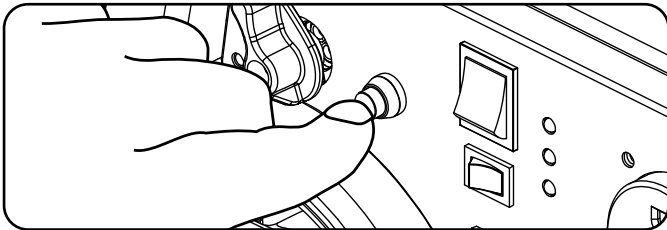
1. Make certain the generator is on a flat, level surface.
2. Disconnect all electrical loads from the generator.  
Never start or stop the generator with electrical devices plugged in or turned on.
3. Turn the fuel valve to the "On" position.



4. Turn the battery switch to the "On" position.



5. Push the Choke button in to the "Choke" position.



6. Turn the ignition switch to the "On" position.



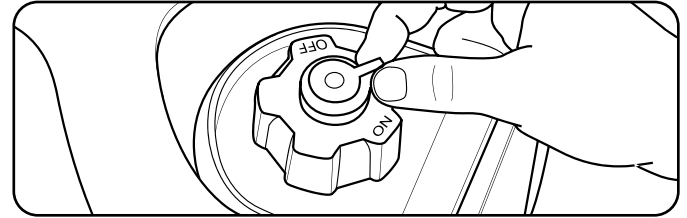
7. **ELECTRIC START:** Press and hold the ignition switch to the "START" position. Release as the engine begins to roll over. If the engine fails to start within five seconds, release the switch and wait at least ten seconds before attempting to start the engine again.
8. **RECOIL START:** Pull the starter cord slowly until resistance is felt and then pull rapidly.
9. As engine warms up, push the choke button to the "Run" position.

### NOTE

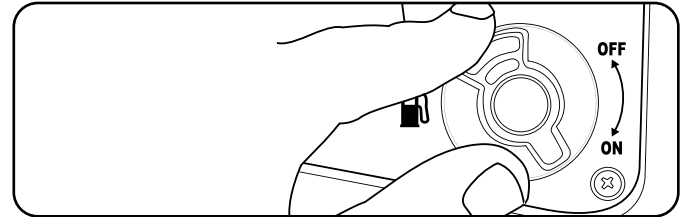
Keep choke button in "Choke" position for only 1 pull of the recoil starter. After first pull, push choke button to the "Run" position for up to the next 3 pulls of the recoil starter. Too much choke leads to spark plug fouling/engine flooding due to the lack of incoming air. This will cause the engine not to start.

## Recoil Start - Alternate Model

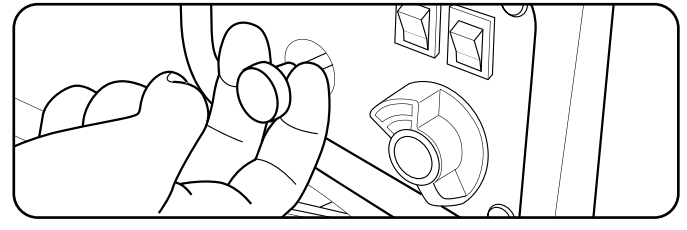
1. Make certain the generator is on a flat, level surface.
2. Disconnect all electrical loads from the generator.  
Never start or stop the generator with electrical devices plugged in or turned on.
3. Turn the fuel cap vent lever to the "On" position.



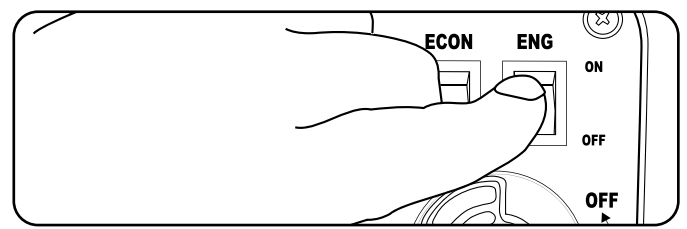
4. Turn the fuel valve to the "On" position.



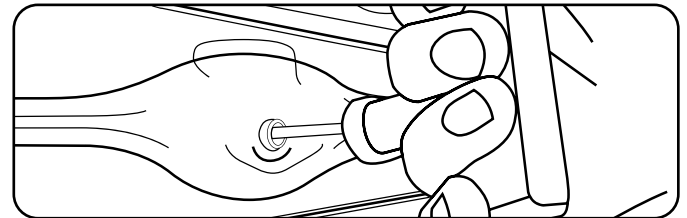
5. Pull the Choke lever out when starting the generator.



6. Turn the ignition switch to the "On" position.



7. Pull the starter cord slowly until resistance is felt and then pull rapidly.



8. As engine warms up, push the choke button to the "Run" position.

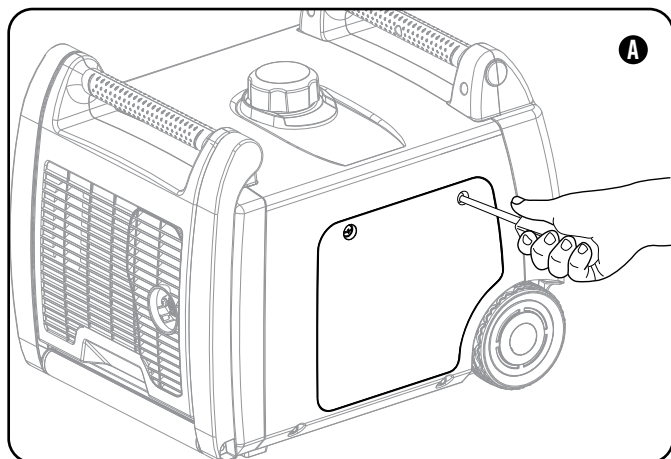
### NOTE

If the engine starts but does not continue to run make certain that the generator is on a flat, level surface. The engine is equipped with a low oil sensor that will prevent the engine from running when the oil level falls below a critical threshold.

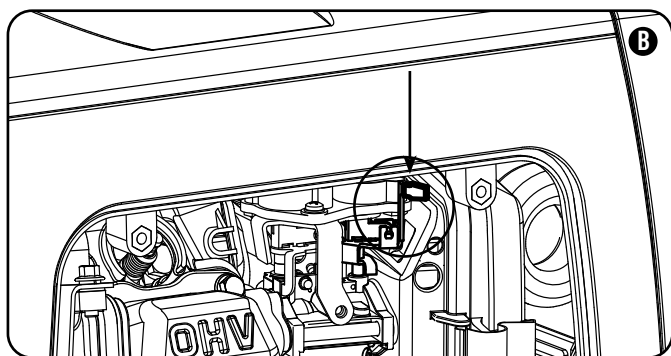
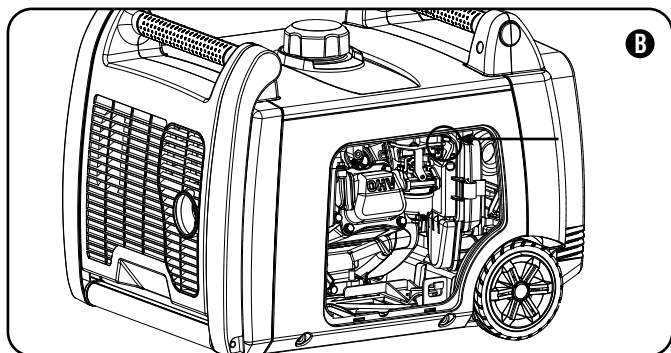
## Manual Choke Start for the 73001i-P only.

If the battery is dead or not able to produce enough current to power the push button choke, the choke itself can be operated manually to help start the engine. To manually choke and start the inverter, follow these steps:

1. Loosen the screws and remove the maintenance cover. (A)



2. Locate the yellow manual choke lever. (B)
3. Turn the choke lever to the "CHOKE" (right) position. (B)



4. Turn the fuel valve to the "ON" position.
5. Turn the engine switch to the "ON" position.
6. Pull the recoil rope until resistance is felt, then pull rapidly.
7. As the engine starts to roll over, move the choke lever to the "RUN" (left) position.

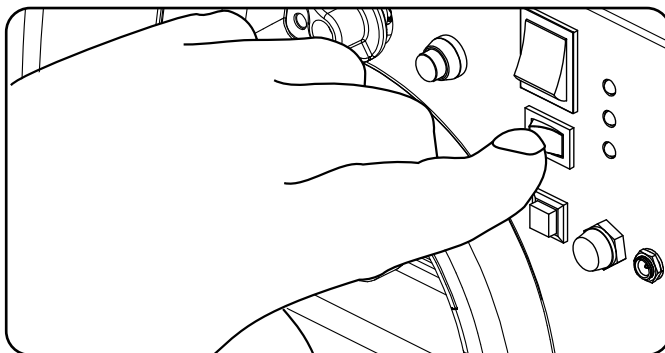
## Manual Choke Start Cont'd.

### NOTE

Keep choke lever in "Choke" (right) position for only 1 pull of the recoil starter. After first pull, move the choke lever to the "Run" (left) position for up to the next 3 pulls of the recoil starter. Too much choke leads to spark plug fouling/engine flooding due to the lack of incoming air. This will cause the engine not to start.

## Economy Control Switch

Using the Economy Control Switch will minimize fuel consumption and noise when the generator is not operating at full load. When the Economy Switch is off then the generator runs at normal speed continuously.



### WARNING

For periods of high electrical load or momentary fluctuations, the Economy Control Switch should be turned OFF.

# OPERATION

## Connecting Electrical Loads

1. Let the engine stabilize and warm up for a few minutes after starting
2. Plug in and turn on the desired 120/240 Volt AC single phase, 50 Hz electrical loads.
  - DO NOT connect 3-phase loads to the generator.
  - DO NOT connect 60 Hz loads to the generator.
  - DO NOT overload the generator.
  - DO NOT use both AC & DC at the same time.

### NOTE

Connecting a generator to your electric utility company's power lines or to another power source may be against the law. In addition this action, if done incorrectly, could damage your generator and appliances and could cause serious injury or even death to you or a utility worker who may be working on nearby power lines. If you plan to run a portable electric generator during an outage, please notify your electric utility company immediately and remember to plug your appliances directly into the generator. Do not plug the generator into any electric outlet in your home. Doing so could create a connection to the utility company power lines. You are responsible for ensuring that your generator's electricity does not feed back into the electric utility power lines.

If the generator will be connected to a building electrical system, consult your local utility company or a qualified electrician. Connections must isolate generator power from utility power and must comply with all applicable laws and codes. When using 230v AC It is not recommended to use 12v DC together as this may damage generator or equipment.

## 12V DC Outlet

The 12V DC outlet can be used with the supplied charge cable and USB charger and other commercially available 12V DC automotive style plugs. The DC output is unregulated and can damage some products. Confirm your accessory input voltage range is at least 12-24V DC. When using the DC outlet turn the Economy mode switch to the "OFF" position.

### WARNING

Do not operate a device while it is plugged in to the 12V DC outlet.

Prolonged exposure to engine exhaust can cause serious injury or death.

### WARNING

While charging a device do not place on the exhaust side of the generator. Extreme heat caused by exhaust can damage the device, and cause a potential fire hazard.

## Stopping the Engine

1. Turn off and unplug all electrical loads. Never start or stop the generator with electrical devices plugged in or turned on.
2. Let the generator run at no-load for several minutes to stabilize internal temperatures of the engine and generator.
3. Turn the fuel valve to the "OFF" position.
4. Let the engine run until fuel starvation has stopped the engine. This usually takes a few minutes.
5. Turn the ignition switch to the "OFF" position.
6. Turn the battery switch to "OFF" position if applicable.

**Important:** Always ensure that the Fuel Valve and the ignition switch and battery switch are in the "OFF" position when the engine is not in use.

### NOTE

If the engine will not be used for a period of two (2) weeks or longer, please see the storage section for proper engine and fuel storage.

### NOTE

If the generator has a battery, always turn the battery switch to the "OFF" position when unit is not in use, this will stop the battery from being drained. Follow the maintenance & storage instructions for the generator & battery when the unit will not be used for a period of 2 weeks or more.

## Do Not Overload Generator

### Capacity

Follow these simple steps to calculate the running and starting watts necessary for your purposes.

1. Select the electrical devices you plan on running at the same time.
2. Total the running watts of these items. This is the amount of power you need to keep your items running.
3. Identify the highest starting wattage of all devices identified in step 1. Add this number to the number calculated in step 2. Surge wattage is the extra burst of power needed to start some electric driven equipment. Following the steps listed under “Power Management” will guarantee that only one device will be starting at a time.

### Power Management

Use the following formula to convert voltage and amperage to watts:

$$\text{Volts} \times \text{Amps} = \text{Watts}$$

To prolong the life of your generator and attached devices, follow these steps to add electrical load:

1. Start the generator with no electrical load attached.
2. Allow the engine to run for several minutes to stabilize.
3. Plug in and turn on the first item. It is best to attach the item with the largest load first.
4. Allow the engine to stabilize.
5. Plug in and turn on the next item.
6. Allow the engine to stabilize.
7. Repeat steps 5-6 for each additional item.

### NOTE

Never exceed the specified capacity when adding loads to the generator.

## Overload Operation

The overload indicator light will turn on when the rated load is exceeded. When the maximum load is reached, the LED will blink and cut power to the receptacles. To recover the power, shut down the engine, wait until the light turns off and restart the generator.

## Operation at High Altitude

Be aware that engine efficiency can reduce and exhaust emissions increase when working at high altitude.

Other high altitude issues can include hard starting, increased fuel consumption and spark plug fouling.

This is a natural trend and cannot be altered by engine adjustment.

### WARNING

Operation using the alternative main jet at elevations lower than the recommended minimum altitude can damage the engine. For operation at lower elevations, the standard main jet must be used. Operating the engine with the wrong engine configuration at a given altitude may increase its emissions and decrease fuel efficiency and performance.

EN

## An Important Message About Temperature

Your Champion Power Equipment product is designed and rated for continuous operation at ambient temperatures up to 40°C (104°F). When your product is needed your product may be operated at temperatures ranging from -15°C (5°F) to 50°C (122°F) for short periods. If the product is exposed to temperatures outside this range during storage, it should be brought back within this range before operation. In any event, the product must always be operated outdoors, in a well-ventilated area and away from doors, windows and other vents.

# MAINTENANCE & STORAGE

The owner/operator is responsible for all periodic maintenance.

## WARNING

Never operate a damaged or defective generator.

## WARNING

Tampering with the factory set governor will void your warranty.

## WARNING

Improper maintenance will void your warranty.

## NOTE

Maintenance, replacement, or repair of emission control devices and systems may be performed by any non-road engine repair establishment or individual.

Complete all scheduled maintenance in a timely manner. Correct any issue before operating the generator.

## Engine Maintenance

To prevent accidental starting, remove and ground spark plug wire before performing any service.

### Oil

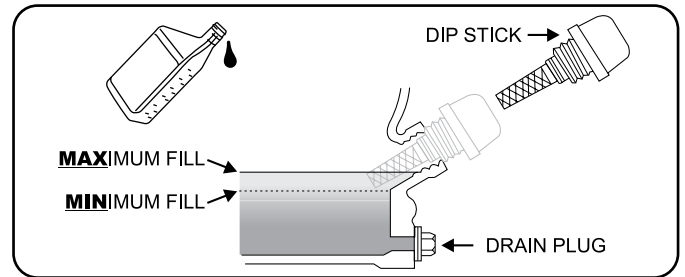
Change oil when the engine is warm. Refer to the oil specification to select the proper grade of oil for your operating environment.

1. Remove oil fill cap/dipstick.
2. Use pliers to slide the spring clamp down the oil drain hose and pull the hose off the plug bracket.
3. Point the hose into a drain pan and allow the oil to drain completely. **Note:** The hose end must be lower than the engine base to allow the oil to drain.
4. Replace oil drain hose onto plug bracket and slide spring clamp back into position.
5. Add oil and replace oil fill cap/dipstick. **DO NOT OVERFILL.**
6. Dispose of used oil at an approved waste management facility.

## NOTE

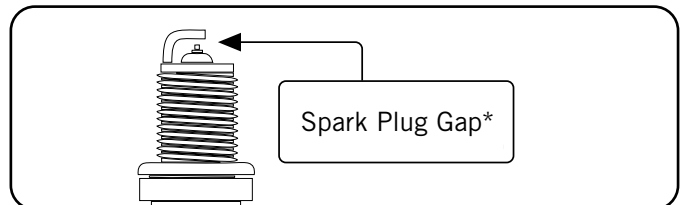
Once oil has been added, a visual check should show oil about 1-2 threads from running out of the fill hole. If using the dipstick to check oil level, **DO NOT** screw in the dipstick while checking.

### Oil Cont'd.



### Spark Plugs

1. Remove the spark plug cable from the spark plug.
2. Use a spark plug socket tool (not included) to remove the plug.
3. Inspect the electrode on the plug. It must be clean and not worn to produce the spark required for ignition.
4. Refer to the spark plug recommendation chart when replacing the plug.
5. Carefully thread the plug into the engine.
6. Use the spark plug socket (not included) to firmly install the plug.
7. Attach the spark plug wire to the plug.



### For 73001i(EU), 73001i-P(EU)

OEM spark plug: F6RTC

Replacement spark plug: NGK BPR6ES or equivalent  
Make certain the \*spark plug gap is 0.7 - 0.8 mm or (0.028 - 0.031 in.).

### Maintenance Valve Clearance

- Intake: 0.06 - 0.12 mm (0.002 - 0.005 in.)
- Exhaust: 0.08 - 0.14 mm (0.003 - 0.006 in.)

### For 71001i(EU), 72301i(EU)

OEM spark plug: E6RTC

Replacement spark plug: NGK BPR6HS or equivalent  
Make certain the \*spark plug gap is 0.6 - 0.7 mm or (0.024 - 0.028 in.).

### Maintenance Valve Clearance

- Intake: 0.1 mm (0.004 in.)
- Exhaust: 0.1 mm (0.004 in.)

Note: Tech bulletin regarding the valve adjustment procedure is on [www.championpowerequipment.com](http://www.championpowerequipment.com)

## Charge the Battery

For a generator equipped with batteries for electric starting, proper battery maintenance and storage should be followed. An automatic battery charger (not included) with automatic charging capability should be used to charge the battery. Maximum charging rate should not exceed 1.5 amps. Follow the instructions included with the battery charger. The battery should be fully charged at least once per month.

### NOTE

A Float Charger will maintain the battery condition over long storage periods.

## Disconnect the Battery

1. Remove the battery panel cover.
2. Remove the protective cover from the black/negative battery lead.
3. Disconnect the black/negative lead from the black/negative terminal on the battery and store the cap screw and nut.
4. Repeat steps 1-2 for the red/positive battery lead.
5. Store the battery in a cool, dry place.

## Remote Control Battery

### NOTE

- Always purchase the correct size and grade of battery most suitable for the intended use.
- Clean the battery contacts and also those of the device prior to battery installation.
- Remove batteries from equipment which is not to be used for an extended period of time.
- Remove batteries if consumed or if product is to be left unused for a long time.

## Generator Maintenance

Make certain that the generator is kept clean and stored properly. Only operate the unit on a flat, level surface in a clean, dry operating environment. DO NOT expose the unit to extreme conditions, excessive dust, dirt, moisture or corrosive vapours.

### CAUTION

DO NOT use a garden hose to clean the generator.

Water can enter the generator through the cooling slots and damage the generator windings.

## Generator Maintenance Cont'd.

Use a damp cloth to clean exterior surfaces of the generator. Use a soft bristle brush to remove dirt and oil.

Use an air compressor (25 PSI) to clear dirt and debris from the generator.

Inspect all air vents and cooling slots to ensure that they are clean and unobstructed.

## Storage

The generator should be started at least once every 14 days and allowed to run for at least 20 minutes. For longer term storage, please follow these guidelines.

## Generator Storage

1. Add a properly formulated fuel stabilizer to the tank.
2. Be sure all appliances are disconnected from the generator.
3. Run the generator for a few minutes so the treated fuel cycles through the fuel system and carburetor.
4. Turn the fuel valve to the "Off" position.
5. Let the generator run until fuel starvation has stopped the engine. This usually takes a few minutes.
6. The generator needs to cool completely before cleaning and storage.
7. Remove the spark plug cap, then pull the recoil grip 3 times to drain the gasoline from the carburetor jets.
8. Change the engine oil.
9. Remove the spark plug and pour about a tablespoon of oil into the cylinder. Crank the engine slowly to distribute the oil and lubricate the cylinder.
10. Reattach the spark plug.
11. Store the unit in a clean, dry place out of direct sunlight.

### DANGER

Generator exhaust contains odorless and colorless carbon monoxide gas.

To avoid accidental or unintended ignition of your remote start generator during periods of storage, the following precautions should be followed:

- When storing the generator for short periods of time make sure that the Ignition Switch, the Fuel Valve and the Battery Switch are set in the OFF position.
- When storing the generator for extended periods of time make sure that the Ignition Switch, the Fuel Valve and the Battery Switch are set in the the OFF position and the battery leads have been disconnected from the battery.

# MAINTENANCE & STORAGE

---

## Maintenance Schedule

Follow the service intervals indicated in the following maintenance schedule.

Service your generator more frequently when operating in adverse conditions.

<b>Every 8 hours or daily</b>	
	Check oil level
	Clean around air intake and muffler
<b>First 5 Hours</b>	
	Change oil
<b>Every 50 hours or every season</b>	
	Clean air filter
	Change oil if operating under heavy load or in hot environments
<b>Every 100 hours or every season</b>	
	Change oil
	Clean/Adjust spark plug
	Check/Adjust valve clearance*
	Clean spark arrester
	Clean fuel tank and filter*
<b>Every 250 hours</b>	
	Clean combustion chamber*
<b>Every 3 years</b>	
	Replace fuel line

\*To be performed by knowledgeable, experienced owners or Champion Power Equipment certified dealers.



Problem	Cause	Solution
Generator will not start	No fuel	Add fuel
	Faulty spark plug	Replace spark plug
	Unit loaded during start up	Remove load from unit
Generator will not start; Generator starts but runs roughly	Low oil level	Fill crankcase to the proper level
		Place generator on a flat, level surface
	Choke in the wrong position	Adjust choke
Generator will not start wirelessly	Spark plug wire loose	Attach wire to spark plug
	Remote control battery is dead	Replace remote control battery
	Generator battery is dead	Recharge generator battery
Generator will not start electrically	Battery switch is in the "OFF" position	Turn battery switch to "ON" position
	Generator battery is dead	Recharge generator battery
Generator shuts down during operation	Battery switch is in the "OFF" position	Turn battery switch to "ON" position
	Out of fuel	Fill fuel tank
Generator cannot supply enough power or overheating	Low oil level	Fill crankcase to the proper level. Place generator on a flat, level surface
	Generator is overloaded	Review load and adjust. See "Power Management"
No AC output	Insufficient ventilation	Check for air restriction. Move to a well ventilated area
	Cable not properly connected	Check all connections
	Connected device is defective	Replace defective device
	Circuit breaker is open	Reset circuit breaker
	Loose wiring	Inspect and tighten wiring connections
Repeated circuit breaker tripping	Other	Contact the help line
	Overload	Review load and adjust. See "Power Management"
	Faulty cords or device	Check for damaged, bare or frayed wires. Replace defective device

# CONTROLS AND FEATURES

---

## Wireless Remote Control

This generator is equipped with a wireless remote control system for starting and stopping. The system consists of (4) main components:

- Receiver Control Module (RCM)
- Wireless remote
- Battery switch (button)
- Ignition switch (button)

Both the ignition switch and the battery switch need to be turned on for the remote control functions to work. To start the generator press the “start” button once. The engine will attempt to start for up to 6 times. The RCM will engage the auto choke. If the generator does not start then call your local dealer. To stop the generator press the “stop” button once.

### Remote Control Power Function

If the ignition switch (button) is left on then the battery can be completely drained. To prevent battery drain turn both the ignition switch and the battery switch to the off position.

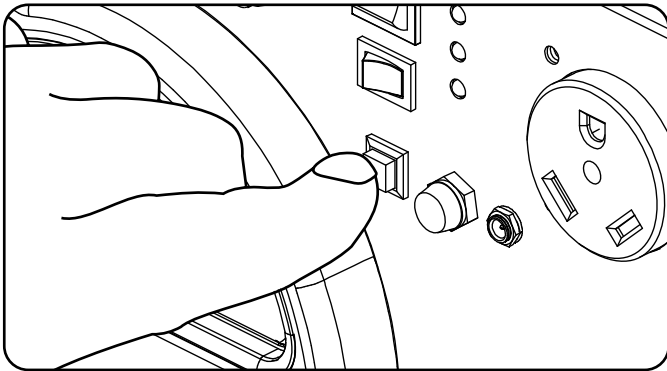
### Power Panel Load Management

When starting the generator by remote control there will be a 15 second delay before the power panel is operational. When using the remote control to stop the generator the power panel switches off immediately followed by the engine 5 seconds later. The on/off voltage delay at startup and shutdown only occurs when using the remote control. When using either the electric start button or the recoil start method the operator must ensure that all electrical loads (appliances) are turned off during start up and shut down. Failure to do so can damage the generator or attached appliances.

## Wireless Set Button

The wireless set button is a feature that lets the user sync remotes to the generator. One can set up to two remote controls or reset a remote control with the generator. To reset a remote control or sync two remote controls follow these steps:

1. Turn the ignition switch to the “ON” position.
2. Turn the battery switch to the “ON” position.
3. Push and hold the wireless set button next to the red light (located on the front panel) for approximately three seconds; the red light will turn on.
4. Push and release the “STOP” button on the remote. The red light blinks once to erase the remote program.
5. Push and release the START button. The red light blinks once to program the remote.
6. Push and hold the programming button approximately three seconds until the red light turns off.
7. Test Start & Stop features



### NOTE

Only two remote controls can be in sync with one generator at a time.

### NOTE

Changing a remote control battery may not require the user to reset the remote control.

## Parallel Operation

Two (2) Champion model generators can be operated in parallel to increase the total available electrical power. A Champion parallel kit (optional equipment) is required for parallel operation. For kit availability, visit [www.championpowerequipment.co.uk](http://www.championpowerequipment.co.uk)

Detailed instructions for parallel kit installation, operation, and rating of the connected generators are provided in the parallel kit owner's manual and operating instructions.

# INTRODUKTION

---

## Introduktion

Grattis till att ha köpt denna invertergenerator. Vårda och ta hand om den korrekt.

## Portabel strömgenerator

Denna enhet är en bensinmotordriven växelströmgenerator som används för att generera elektrisk ström.

## Tillbehör

CPE tillverkar och tillhandahåller en mängd olika tillbehör. Se din lokala handlare för mer information.

## Denna broschyr

Vi förbehåller oss rätten att ändra eller förbättra produkten eller denna manual utan vidare förvarning.

---

Notera modell- och serienummer samt datum och inköpsställe för framtida behov. Ha denna information tillgänglig vid beställning av reservdelar och vid tekniska eller garanti-förfrågningar.

Champion Power Equipment support
Modellnummer
Serienummer
Inköpsdatum
Inköpsplats
För <b>oljetyp</b> , se avsnittet "Fyll på olja". För <b>bränsletyp</b> , se avsnittet "Fyll på bränsle".

Vänligen gör dig bekant med följande symboler. Säkerhetssymbolen och nyckelorden är säkerhetsvarningar. Följ alla säkerhetsmeddelanden för att undvika olyckor eller personskador.

## FARA

FARA anger en omedelbart farlig situation som, om den inte undviks, **kommer att** leda till död eller allvarlig personskada.

## VARNING

FARA anger en potentiellt farlig situation som, om den inte undviks, **kan** leda till död eller allvarlig personskada.

## FÖRSIKTIGHET

FARA anger en potentiellt farlig situation som, om den inte undviks, **kan** leda till mindre eller måttliga personskador.

## FÖRSIKTIGHET

VARNING utan symbolen för säkerhetsvarning anger en potentiellt farlig situation som, om den inte undviks, **kan** leda till skador på egendom.

## OBSERVERA

Om du har frågor om din generator kan vi hjälpa dig. Vänligen kontakta din lokala handlare.

# SÄKERHETSREGLER

## VARNING

Läs denna manual noggrant innan du använder din generator. Att avvika från instruktionerna kan leda till allvarliga skador eller död.

## VARNING

Avgaserna från den här produkten innehåller kemikalier som är dokumenterat skadliga för hälsan eller t.o.m. dödliga.

## FARA

Generatoravgaser innehåller kolmonoxid som är en färglös, doftfri, giftig gas. Att andas in kolmonoxid kommer att orsaka illamående, yrsel, svimning eller död. Om du börjar känna dig yr eller svag, se till att få frisk luft omedelbart.

Använd generatoren utomhus och på en väl ventilerad plats.

ANVÄND INTE generatoren inomhus. Detta inkluderar garage, källare, kryputrymmen, förråd, inhägnader eller avdelningar samt generatorutrymmen i husbilar eller husvagnar.

LÅT INTE avgasångor tränga in i stängda utrymmen genom fönster, dörrar, ventiler eller andra öppningar.

**KOLMONOXIDVARNING:** att använda en generator inomhus **KAN DÖDA DIG PÅ ETT PAR MINUTER.**

## FARA

Roterande delar kan trassla in händer, fötter, hår, kläder och/eller accessoarer.

Traumatiska amputationer eller allvarliga skärsår kan uppstå.

Se till att hålla händer och fötter borta från roterande delar.

Sätt upp långt hår och ta bort smycken.

Använd utrustning med skydd på plats.

ANVÄND INTE löst sittande kläder, hängande snören eller andra saker som kan fastna eller ryckas in.

## VARNING

Denna produkt innehåller ett knappbatteri. Om det sväljs kan det orsaka allvarlig skada eller död inom endast två timmar. Uppsök läkare omedelbart.

## FARA

Generatoren producerar kraftfull spänning.

RÖR INTE nakna sladdar eller kärl.  
ANVÄND INTE elektriska sladdar som är slitna, skadade eller trasiga.

ANVÄND INTE generatoren i vått väder.

TILLÅT INTE barn eller okvalificerade personer att hantera eller genomföra underhåll på generatoren.

Använd en säkerhetsbrytare på fuktiga ställen eller på ställen med strömförande material såsom metallunderlag.

Använd godkänd överföringsutrustning för att isolera generatoren från dina elektriska verktyg och meddela ditt elbolag innan du ansluter din generator till elnätet.

## VARNING

Gnistor kan resultera i brand eller elektriska stötar.

### Vid underhåll av generatoren:

Koppla ifrån sladden till tändstiftet och placera den så att den inte kan komma i kontakt med tändstiftet. Undersök INTE om det bildas gnistor när tändstiftet är borttaget.

Använd endast godkända testare av tändstift.

## VARNING

Att köra motorer som producerar hetta. Allvarliga skador kan uppstå vid kontakt.  
Brännbart material kan fatta eld vid kontakt.

RÖR INTE heta ytor.

Undvik kontakt med heta avgaser.

Låt utrustning svalna av innan den vidrörs.

Se till att hålla ett avstånd på minst 1 meter (ca 3 ft.) på alla sidor för att säkerställa tillräcklig avkyllning.

Se till att hålla ett avstånd på minst 1,5 meter (ca 5 ft.) från brännbart material.

## VARNING

Medicinsk och livsuppehållande användning.

Kontakta larmassistans omedelbart i händelse av en olycka.

ANVÄND ALDRIG den här produkten för att driva livsuppehållande enheter eller apparater.

ANVÄND ALDRIG den här produkten för att driva medicinska enheter eller apparater.

Informera din elleverantör omedelbart om någon i ditt hushåll är beroende av elektrisk utrustning för att överleva.

Informera din elleverantör omedelbart om någon i ditt hushåll skulle uppleva en medicinsk kris utan tillgänglig elektricitet.

## FARA

Bränsle och bränsleångor är mycket brandfarliga och extremt explosiva. Oavsiktlig start kan resultera i allvarliga personskador.

### Vid påfyllning eller tömning av bränsle:

Stäng av generatoren och låt den svalna i minst två minuter innan du tar bort locket till bränslet. Lossa försiktigt på locket för att släppa ut trycket ur tanken.

Fyll eller töm endast utomhus på en väl ventilerad plats.

PUMPA INTE bensin direkt in i generatoren på bensinstationen. Använd en godkänd behållare för att fylla på bränslet i generatoren.

ÖVERFYLL INTE bränsletanken.

Se alltid till att hålla bränsle borta från gnistor, öppen eld, glöd, hetta eller andra antändningskällor.

TÄND INTE eller rök cigaretter.

### Vid start av generatoren:

Försök ALDRIG att starta en skadad generator.

Se till att bensinlocket, luftfiltret, tändstiften, bränsleslangar och avgassystem sitter ordentligt på plats.

Låt utspillt bränsle att dunsta bort ordentligt innan du försöker starta motorn.

Se till att generatoren står stadigt på platt mark.

### Vid användning av generatoren:

FLYTТА eller TIPPA INTE generatoren under användning.

TIPPA INTE generatoren eller låt bränsle eller olja att spillas ut.

### Vid transport eller underhåll av generatoren:

Se till att bränslets avstängningsventil är stängd och att bränsletanken är tom.

Koppla ifrån sladden till tändstiftet.

### Vid förvaring av generatoren:

Förvara borta från gnistor, öppen eld, glöd, hetta eller andra antändningskällor.

## VARNING

Användning av den här utrustningen kan generera gnistor som kan starta brand i torr vegetation.

Ett gnistskydd kan krävas. Användaren bör kontakta den lokala brandskyddsmyndigheten beträffande gällande brandskyddsbestämmelser.

## VARNING

Den snabba rekylen av startsnöret kan slita med sig hand och arm mot motorn snabbare än du hinner släppa taget, vilket kan resultera i allvarliga skador.

När du ska starta motorn, dra startsnöret långsamt tills du känner motstånd och dra då snabbt för att undvika rekyl.

STARTA eller STANNA INTE motorn med några elektriska enheter anslutna.

## FÖRSIKTIGHET

Att överstiga generators driftkapacitet kan skada generatoren och/eller de elektriska enheter som är kopplade till den.

ÖVERBELASTA INTE generatoren.

Starta generatoren och låt motorn stabiliseras innan du ansluter någon elektrisk belastning.

Anslut elektrisk utrustning när den är avstängd och sätt sedan på den efter anslutning.

Stäng av elektrisk utrustning innan du stänger av generatoren.

MIXTRA INTE med den reglerade hastigheten.

MODIFIERA INTE generatoren på något vis.

## FÖRSIKTIGHET

Olämplig hantering eller användning av din generator kan skada den, förkorta dess livslängd och göra garantin ogiltig.

Använd endast generatoren på avsett sätt.

Använd endast på jämn, platt mark.

UTSÄTT INTE generatoren för överdriven fukt, damm eller smuts.

LÅT INTE något material blockera ventilationsöppningarna.

Om anslutna enheter överhettas ska de stängas av och kopplas bort från generatoren.

ANVÄND INTE generatoren om:

- Den inte alstrar någon elektricitet
- Utrustningen ger gnistor, rök eller eld
- Utrustningen vibrerar överdrivet

Din generator kräver en viss montering. Denna enhet levereras från vår fabrik utan olja. Den måste underhållas ordentligt med bränsle och olja innan den används.

Om du har några frågor om monteringen av din generator, vänligen kontakta din lokala handlare. Vänligen se till att ha ditt serienummer och modellnummer till hands.

## Ta bort generatorm från leveransförpackningen.

1. Placera leveransförpackningen på en stabil platt yta.
2. Ta bort allting från kartongen förutom generatorm.
3. Använd bärhandtagen på enheten för att försiktigt lyfta ut generatorm ur lådan. (Det rekommenderas att två personer lyfter.)

## Anslut batteriet (elektriska startmodeller)

1. Använd en skruvmejsel för att ta bort de två skruvarna från batteriets underhållsskydd.
2. När skruvarna har tagits bort kan dragfliken av gummi på skyddet dras ut för att hjälpa till att lossa och lösgöra underhållsskyddet. (A)
3. Ta bort batteriets underhållsskydd. (A)
4. Klipp av buntbandet som håller ihop batteriets kablar.
5. Använd en skruvmejsel för att ta loss batteribulten på den röda plusterterminalen (+) på batteriet.
6. Anslut den röda pluspoolen (+) till den röda plusterterminalen (+) på batteriet med hjälp av bulten.
7. Dra gummiskyddet över batterikabelns anslutning och batteriterminalen.
8. Upprepa steg 5-7 för den svarta minuspoolen (-) och den svarta minusterminalen (-) på batteriet.

Ansluta batteriet, forts.

### **OBSERVERA**

Om batteriets kablar inte syns när batteriets underhållsskydd har tagits bort så kan det innebära att kablarna har fästs upp ovanför batteriet och inte är direkt synliga.



## Fyll på motorolja.

### ! FÖRSIKTIGHET

FÖRSÖK INTE starta eller dra igång motorn innan den har fyllts på ordentligt med rekommenderad mängd och typ av olja. Skador på generatoren till följd av att dessa instruktioner inte har följts gör garantin ogiltig.

### OBSEVERA

Den rekommenderade oljetypen är 10W-30 motorolja. De fem första timmarna bör mineralolja användas. Efter första oljebytet kan även syntetisk olja användas.

1. Placera generatoren på en platt jämn yta.
2. Lossa på skyddets skruvar och ta bort underhållsskyddet.

### OBSEVERA

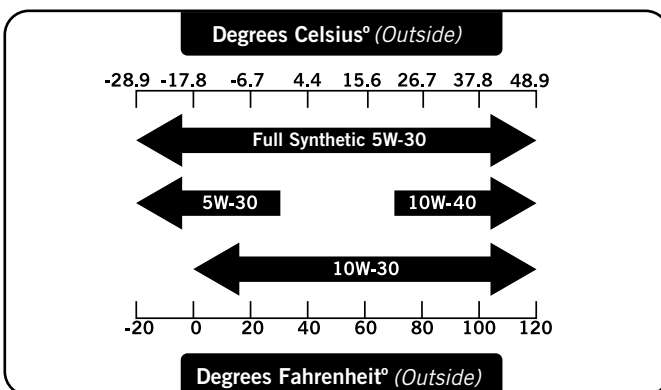
När oljan har fyllts på bör en avsyning visa olja upp till ca. 1-2 gånger från att rinna ut ur påfyllningshålet. Om du använder en oljesticka för att kontrollera oljan ska du INTE skruva fast oljestickan när du gör kontrollen.

### OBSEVERA

Kontrollera oljan ofta under inkörningsperioden. Se avsnittet om underhåll för rekommenderat underhållsintervall.

3. Ta bort oljelocket och oljestickan för att fylla på olja.
4. Fyll på olja och återställ oljestickan och oljelocket. ÖVERFYLL INTE.
5. Kontrollera oljenivåerna dagligen och fyll på vid behov.

## Fyll på motolja, forts.



### FÖRSIKTIGHET

Motorn är utrustad med en lågnivåavstängning och kommer att stanna när oljenivån i växellådan kommer under gränsnivån.

### OBSEVERA

Generators rotor har ett förseglat, smörjt kullager som inte kräver någon ytterligare smörjning under kullagrets hela livslängd.

### OBSEVERA

Vi anser att de första fem körtimmarna är inkörningsperiod för enheten. Kör på eller under 50% av wattbelastningen under inkörningsperioden och variera belastningen då och då för att låta statorspiralerna hettas upp och svalna av. Att justera belastningen kommer också att låta motorhastigheten att variera, vilket hjälper kolringarna att sätta sig. Efter de första 5 timmarnas inkörningsperiod, byt oljan.

### OBSEVERA

Syntetisk olja får användas efter de första 5 timmarnas inkörningsperiod. Använd av syntetisk olja förlänger inte det rekommenderade intervallet för byte av olja.

### OBSEVERA

Vädret kommer att påverka motoroljan och dess funktion. Byt oljetyp för att anpassa till rådande väderlek och för att passa motorns behov.

# MONTERING

## Fyll på bränsle

1. Använd rent, nytt, standard oblyat bränsle med en lägsta oktanhalt på 85 och en etanolhalt på mindre än 10 % per volym. Bensin för bilar går bra men alkylatbensin är bättre för elverket.
2. **BLANDA INTE** olja och bränsle.
3. Rengör området runt bränslelocket.
4. Skruva av bränslelocket.
5. Fyll försiktigt på bränsle i tanken. **ÖVERFYLL INTE.** Bränsle kan expandera efter påfyllning. Minst 6,4 mm (¼ in.) av utrymme i tanken krävs för expansion och mer än 6,4 mm (¼ in.) rekommenderas. Bränsle kan tvingas ut ur tanke som en följd av expansion om det överfylls och det kan påverka en jämn drift av produkten. När tanken fylls på rekommenderas att lämna tillräckligt med utrymme för bränslet att expandera.
6. Skruva på bränslelocket och torka bort eventuellt spillt bränsle.

### **FÖRSIKTIGHET**

Använd vanlig oblyad bensin med en lägsta oktanhalt på 85.

Blanda inte olja och bensin.

Fyll upp tanken till ca. 6,4 mm (¼ in.) från tankens överdel för att tillåta att bränslet expanderar.

**PUMPA INTE** bensin direkt in i generatoren på bensinstationen. Använd en godkänd behållare för att fylla på bränslet i generatoren.

**FYLL INTE** på bränsletanken inomhus.

**FYLL INTE** på bränsletanken när motorn är igång eller mycket varm.

**ÖVERFYLL INTE** bränsletanken.

**TÄND INTE** cigaretter eller rök när du fyller på bränsletanken.

### **VARNING**

Att fylla på bränslet för fort genom bränslesilen kan leda till att bränslet slår tillbaks på användaren under påfyllning.

## Fyll på bränsle, forts.

### **OBSERVERA**

Våra motorer fungerar bra med 10 % eller mindre etanolblandat bränsle. Vid användning av bränsleblandningar är några saker värda att notera:

- Etanolbensinblandningar kan absorbera mer vatten än enbart bensin.
- Dessa blandningar kan eventuellt separera och lämna vatten eller en vattenliknande gegg i tanken, bränsleventilen och förgasaren
- Med en bränsleförsörjning som matas genom gravitation kan detta försämrade bränsle dras in i förgasaren och orsaka skada på motorn och/eller orsaka potentiell fara.
- Det finns endast ett fåtal leverantörer av bränslestabilisatorer som kan hantera etanolblandat bränsle.
- Alla skador eller faror som uppkommer genom användning av olämpligt bränsle, dåligt förvarat bränsle och/eller dåligt fungerande stabilisatorer täcks inte av tillverkarens garanti.

Det rekommenderas att stänga av bränsletillförseln och sedan köra motorn tills bränslet helt tar slut och helt tömma tanken om utrustningen har stått oanvänd i mer än 30 dagar.

## Jordning

Din generator måste vara korrekt ansluten till lämplig jordning för att förhindra elektrisk chock.

### **VARNING**

Om generatoren inte jordas ordentligt kan det leda till elektrisk chock.

En jordningsterminal som är ansluten till ramen på generatoren finns på strömpanelen. För fjärrjordning, anslut en kraftig koppartråd (12 AWG minimum) mellan generatorens jordningsterminal och en kopparstång som körs ner i marken. Vi rekommenderar starkt att du talar med en kvalificerad elektriker för att säkerställa att detta tillvägagångssätt följer gällande lokala elektriska standarder.

## Placering av generatorm

Använd aldrig generatorm inomhus! (Se avsnittet om säkerhetsvarningar.) I vissa områden måste generatorer registreras hos det lokala elbolaget. Generatorer som används på byggplatser kan lyda under ytterligare lokala bestämmelser. Placera på en platt jämn yta. Generatorer måste ha minst 1,5 m (5 ft) fritt avstånd från allt brännbart material. Dessutom måste de ha minst 1 m (ca. 3 ft) fritt utrymme på alla sidor för att möjliggöra avkyllning, underhåll och service. Generatorer bör aldrig startas eller användas på en plats som inte tillåter tillräcklig avkyllning av generatorm och/eller ljuddämparen. Låt generatorer svalna innan de förvaras eller transporteras. Placera inte generatorm nära några ventiler eller luftintag. Undersök noggrant hur vind- och luftströmmar rör sig när du placerar generatorm.

**Om korrekta säkerhetsåtgärder inte följs riskerar det att tillverkarens garanti blir ogiltig.**

### VARNING

Använd eller förvara inte generatorm i regn, snö eller våt väderlek.

Att använda en generator eller elektrisk apparat i våta omständigheter såsom regn och snö eller i närheten av en pool eller ett sprinklersystem eller när dina händer är våta kan leda till dödlig elektrisk chock.

### VARNING

Under användning kommer ljuddämparen och avgaserna att bli heta. Om tillräcklig avkyllning och luftutrymme inte finns eller om generatorm är blockerad eller instängd kan temperaturerna bli extremt höga och leda till brand.

## Jordning

Generatorms jordningssystem ansluter ramen till jordterminalerna på strömpanelen.

- Generatorm (statorspiralen) är isolerad från ramen och från växelströmsuttagets jordningsstift.
- Elektriska enheter som kräver en anslutning som har ett jordningsstift kommer inte att fungera om jordningsstiftet inte fungerar, om inte den neutrala kabeln är fäst vid ramen.

## Trådlös fjärrstart (extra tillval)

Trådlös fjärrstart är endast möjlig inom **24 meter (80 feet)** från generatorm. (Trådlösa signaler kanske inte kan tränga igenom vissa täta objekt.)

Försök inte att justera förgasarens choke. Det fjärrstyrda och elektriska systemet kommer automatiskt att stänga och öppna choken.

1. Se till att generatorm är placerad på en platt jämn yta.
2. Stäng av alla elektriska belastningar som är anslutna till generatorm. Starta eller stanna aldrig generatorm med några elektriska enheter påslagna.
3. Vrid bränsleventilen till läge "ON".
4. Tryck ner batteriomkopplaren till läge "ON".
5. Tryck ner tändningslås till läge "ON".
6. TRÅDLÖS FJÄRRSTART: Tryck ner och släpp upp "START"-knappen på den handhållna fjärrkontrollen. HÅLL INTE knappen nedtryckt utan tryck endast på knappen en gång. Motorn kommer att försöka starta sex gånger.
7. Om generatorm inte startar, kontrollera batteriets skick och kablarnas anslutningar.

### OBSERVERA

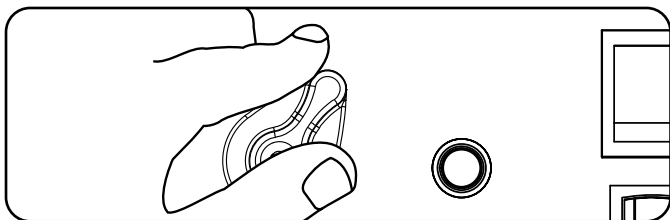
Det bifogade 12V 7AH-batteriet laddas när motorn körs, men det rekommenderas också att batteriet laddas helt åtminstone en gång i månaden.

### OBSERVERA

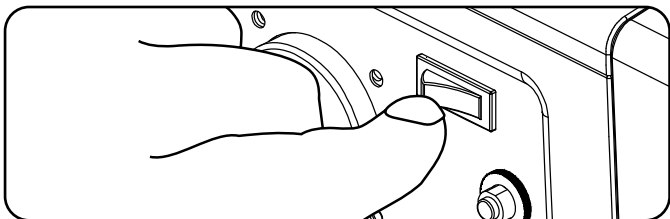
När batteriomkopplaren är i läge "ON" så tänds reglaget om batteriet skickar ut en laddning. Kontrollera att batteriet fortfarande är korrekt anslutet om reglaget inte tänds när batteriomkopplaren är i läge "ON".

## Elektrisk start (tillval) och start med dragsnöre

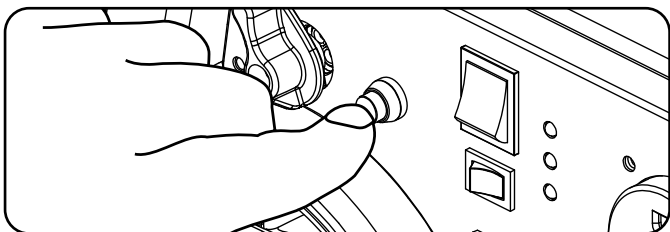
1. Se till att generatoren är placerad på en platt jämn yta.
2. Koppla ifrån all elektrisk belastning från generatoren. Starta eller stanna aldrig generatoren med några elektriska enheter anslutna eller påslagna.
3. Vrid bränsleventilen till läge "ON".



4. Vrid batteriomkopplaren till läge "ON".



5. Tryck choke-knappen till läge "CHOKE".



6. Vrid tändningen till läge "ON".



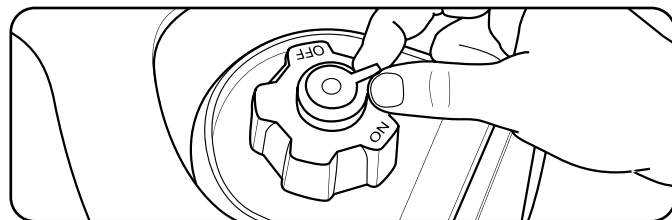
7. ELEKTRISK START: Tryck ner och håll tändningen i läge "START". Släpp tändningen så fort som motorn går igång. Om motorn inte startar inom fem sekunder, släpp tändningen och vänta i minst tio sekunder innan du försöker starta motorn på nytt.
8. START MED DRAGSNÖRE: Dra i startsnöret långsamt tills du känner motstånd och dra då snabbt.
9. När motorn värms upp, tryck choke-knappen till läge "Run".

### **OBSERVERA**

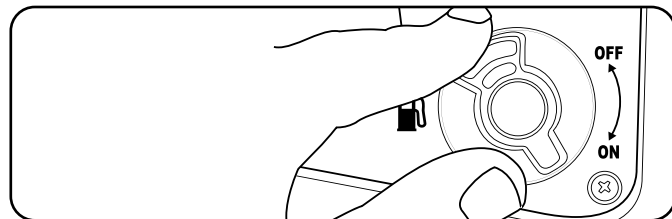
Håll inne choke-knappen i läge "Choke" för endast ett drag med dragsnöret. Efter det första draget, tryck på choke-knappen till läge "Run" för de följande tre dragen med dragsnöret. För mycket choke leder till att tändstiften smutsas ner och motorn flödas på grund av bristen på inkommande luft. Det kommer att göra att motorn inte startar.

## Start med dragsnöre - alternativ modell

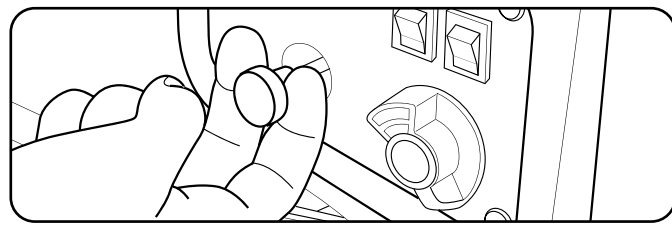
1. Se till att generatoren är placerad på en platt jämn yta.
2. Koppla ifrån all elektrisk belastning från generatoren. Starta eller stanna aldrig generatoren med några elektriska enheter anslutna eller påslagna.
3. Vrid bränslelockets ventilationsspak till läge "ON".



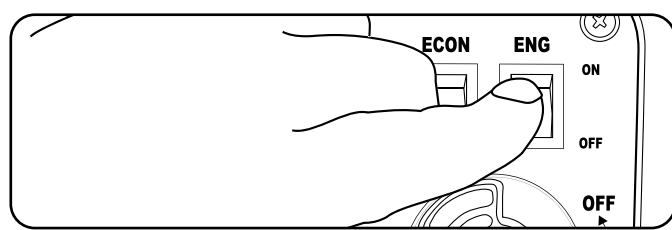
4. Vrid bränsleventilen till läge "ON".



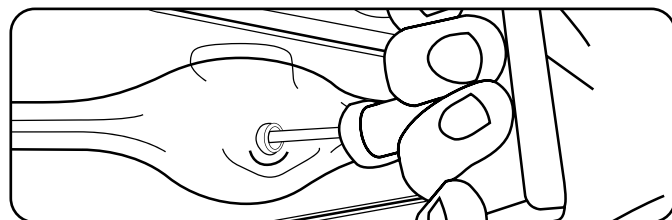
5. Dra ut choke-spaken när du startar generatoren.



6. Vrid tändningen till läge "ON".



7. Dra i startsnöret långsamt tills du känner motstånd och dra då snabbt.



8. När motorn värms upp, tryck choke-knappen till läge "Run".

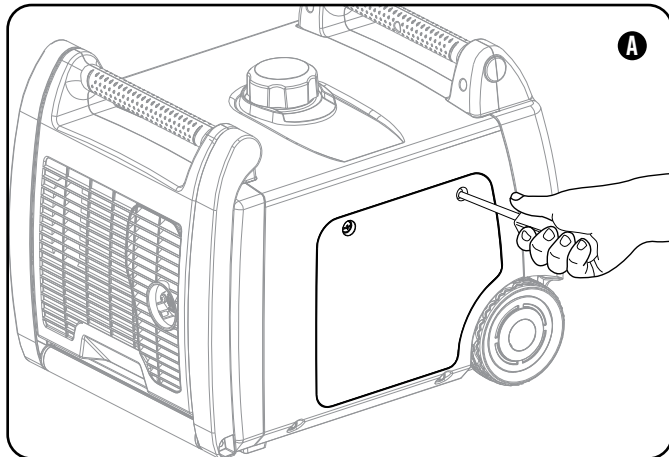
### **OBSERVERA**

Om motorn startar, men inte fortsätter att gå, se till att generatoren verkligen står på en platt jämn yta. Motorn är försedd med en sensor för låg oljenivå som förhindrar att motorn körs när oljenivån kommer under den kritiska nivån.

## Start med manuell choke

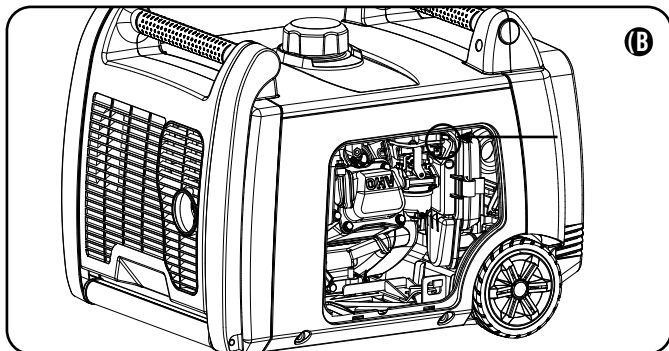
Om batteriet är dött eller inte klarar att producera tillräckligt med spänning för att driva choke-knappen så kan choken hanteras manuellt för att hjälpa till att starta motorn. För att manuellt använda choken och starta omkopplaren, följ dessa steg:

1. Lossa på skruvarna och ta bort underhållsskyddet.

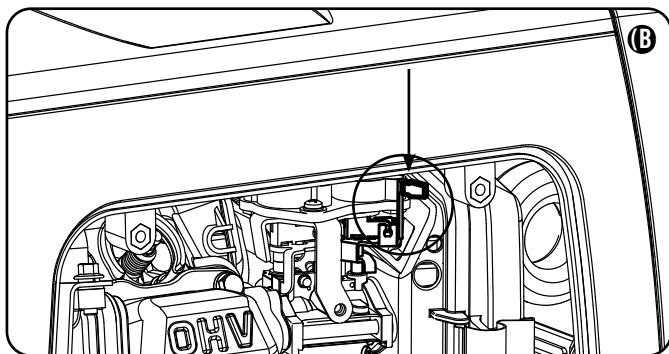


(A)

2. Hitta den gula manuella choke-spaken. (B)
3. Flytta choke-spaken till läge "CHOKE" (höger). (B)



(B)



(B)

4. Vrid bränsleventilen till läge "ON".
5. Vrid motoromkopplaren till läge "ON".
6. Dra i dragsnöret till du känner motstånd och dra sedan snabbt.
7. När motorn går igång, flytta choke-spaken till läge "RUN" (vänster).

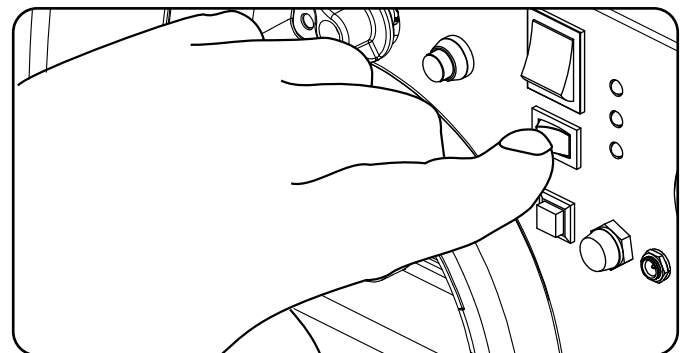
## Start med manuell choke, forts.

### OBSERVERA

Håll inne choke-spaken i läge "Choke" för endast ett drag med dragsnöret. Efter det första draget, flytta choke-spaken till läge "Run" (vänster) för de följande tre dragen med dragsnöret. För mycket choke leder till att tändstiften smutsas ner och motorn flödas på grund av bristen på inkommande luft. Det kommer att göra att motorn inte startar.

### Omkopplare för ekonomikontroll

Att använda omkopplaren för ekonomikontroll kommer att minimera bränsleförbrukning och buller när generatoren inte går för full belastning. När omkopplaren för ekonomikontroll stängs av körs generatoren i normal hastighet konstant.



SV

### ⚠ VARNING

Under perioder med hög elektrisk belastning eller tillfälliga strömvariationer bör omkopplaren för ekonomikontroll stängas AV.

## Att ansluta elektrisk belastning

1. Låt motorn stabiliseras och värmas upp i några minuter efter start.
2. Koppla in och starta de önskade 240 volts, AC enkelfas, 50 Hz elektriska belastningarna.
  - ANSLUT INTE trefas belastningar till generatoren.
  - ANSLUT INTE några trefas-belastningar till generatoren.
  - ÖVERBELASTA INTE generatoren.

### OBSERVERA

Att ansluta en generator till ditt elnät eller till någon annan kraftkälla kan strida mot lagen. Förutom detta kan det, om det görs felaktigt, skada din generator och dina apparater och dessutom orsaka allvarlig skada eller t.o.m. död för dig eller eventuella elektriker eller andra som arbetar på närliggande kraftledningar. Om du tänker köra en portabel elektrisk generator under ett strömbrott, vänligen meddela ditt elbolag omedelbart och kom ihåg att koppla in dina apparater direkt till generatoren. Koppla inte in generatoren i något uttag i ditt hem. Att göra detta kan skapa en koppling till elbolagets kraftledningar. Du är ansvarig att se till att din generators elektricitet inte kopplas tillbaka in i elbolagets kraftledningar.

Om generatoren ska kopplas till en byggnads elektriska system ska du rådfråga ditt lokala elbolag eller en kvalificerad elektriker. Anslutningar måste isolera generatorkraften från kraften i elnätet och måste dessutom följa alla gällande lagar och regler.

## 12V likströmsuttag

Det 12V likströmsuttaget kan användas tillsammans med laddningskabeln och USB-laddaren och andra vanliga bilkontakter för 12V likström. Likströmsuttaget är oreglerat och kan skada vissa produkter. Bekräfta att ditt tillbehörs inkommande spänningsområde är minst 12-24V likström. Stäng av ekonomiläget när du använder likströmsuttaget.

### VARNING

Använd inte enheten när den är inkopplad till ett 12V likströmsuttag.

Långvarig exponering för motoravgaser kan orsaka allvarliga skador och död.

### VARNING

När en enhet laddas ska den inte placeras på den sidan där avgaserna kommer ut ur generatoren. Extrem hetta som orsakas av avgaser kan skada enheten och utgöra en möjlig brandrisk.

## Att stänga av motorn

1. Stäng av och koppla ur alla elektriska belastningar. Starta eller stanna aldrig generatoren med några elektriska enheter anslutna eller påslagna.
2. Låt generatoren köras utan belastning i några minuter för att stabilisera den interna temperaturen på motorn och generatoren.
3. Vrid bränsleventilen till läge "OFF".
4. Låt motorn köras tills bristen på bränsle stoppar motorn. Detta tar vanligtvis några minuter.
5. Vrid tändningen till läge "OFF".
6. Vrid batteriomkopplaren till läge "OFF" om tillämpligt.

**Viktigt:** Se alltid till att bränsleventilen, tändningen och batteriomkopplaren är i läge "OFF" när motorn inte används.

### OBSERVERA

Om motorn inte ska användas under period på två (2) veckor eller längre, vänligen se stycket "Förvaring" för korrekt förvaring av motor och bränsle.

### OBSERVERA

När enheten inte används, ställ alltid batteriomkopplaren till läge "OFF" om generatoren har ett batteri. Detta förhindrar att batteriet laddas ur. Följ instruktionerna i avsnittet "Underhåll och förvaring" för generatoren och batteriet när enheten inte ska användas på 2 veckor eller mer.

## Överbelasta inte generatorm

### Kapacitet

Följ dessa enkla steg för att räkna ut vilken mängd watt som krävs för drift och start av de enheter du vill köra.

1. Välj de elektriska enheter som du tänker köra samtidigt.
2. Lägg ihop watt-talen för dessa enheter. Detta är den mängd watt som du behöver för att hålla dina enheter igång.
3. Notera det högsta watt-talet av de enheter som du valde i steg 1. Lägg till detta tal till summan du fick ihop i steg 2. Spänningsökning (extra watt) är den extra effekt som behövs för att starta vissa elektriskt drivna komponenter. Följ stegen i stycket "Strömhantering" för att säkerställa att endast en enhet i taget startas.

### Strömhantering

Använd följande formel för att konvertera volt och ampere till watt:

$$\text{Volt} \times \text{Ampere} = \text{Watt}$$

Följ dessa steg för att förlänga livslängden på din generator och på inkopplade enheter när du ökar på den elektriska belastningen:

1. Starta generatorm utan någon elektrisk belastning inkopplad.
2. Låt motorn köras i några minuter för att stabiliseras.
3. Koppla in och starta den första enheten. Det är bäst att koppla på den enhet som har högst belastning först.
4. Låt motorn stabilisera sig.
5. Koppla in och starta nästa enhet.
6. Låt motorn stabilisera sig.
7. Upprepa steg 5-6 för varje extra enhet.

### OBSERVERA

Överskrid aldrig den angivna kapaciteten när du lägger till fler belastande källor till generatorm.

## Hantering vid överbelastning

Indikatorlampan för överbelastning tänds när den tillåtna belastningen överskrids. När den maximala belastningen har uppnåtts blinkar LED-lampan och strömmen bryts till de anslutna enheterna. För att återfå strömmen, stäng av motorn och vänta tills lampan slocknar och starta sen om generatorm.

## Drift vid hög höjd

Var medveten om att motoreffekten kan minskas och avgaserna kan öka vid drift på hög höjd. Andra effekter av hög höjd kan vara svår start, ökad bränsleförbrukning och nedsmutsade tändstift. Detta är ett naturligt förlopp och kan inte ändras genom motorjustering.

### VARNING

Att använda det alternativa huvudmunstycket vid höjder som är lägre än den rekommenderade minimihöjden kan skada motorn. För användning vid lägre höjder måste det vanliga huvudmunstycket användas. Att använda motorn med fel motorkonfiguration på en given höjd kan öka dess utsläpp och minska bränsleeffektivitet och prestanda.

## Underhåll av ventilspe

Din Champion Power Equipment produkt är designad och testad för kontinuerlig drift i omgivande temperaturer upp till +40°C (104°F). När du har behov av din produkt kan den användas i temperaturer från -15°C (5°F) till 50°C (122°F) under kortare perioder. Om produkten förvaras i temperature utanför detta temperaturspann bör den återföras till det spannet innan den används. Oavsett temperature skall den alltid användas utomhus på en väl-ventilerad plats på säkert avstånd från dörrar, fönster och andra luftintag.

# UNDERHÅLL OCH FÖRVARING

Ägaren/användaren är ansvarig för allt periodiskt underhåll.

## VARNING

Använd eller kör aldrig en skadad eller trasig generator.

## VARNING

Att mixtra med den fabriksinställda regulatören kommer att göra att garantin blir ogiltig.

## VARNING

Olämpligt underhåll kommer att göra att garantin blir ogiltig.

## OBSERVERA

Underhåll, byte av delar eller reparation av avgaskontrollanordningar kan göras av valfri reparationsverkstad eller individ.

Genomför allt underhåll på utsatt tid. Rätta till alla problem innan generatören används.

## Motorunderhåll

För att förebygga oavsiktlig start av motorn, ta bort och jorda sladden till tändstiftet innan underhåll genomförs.

## Olja

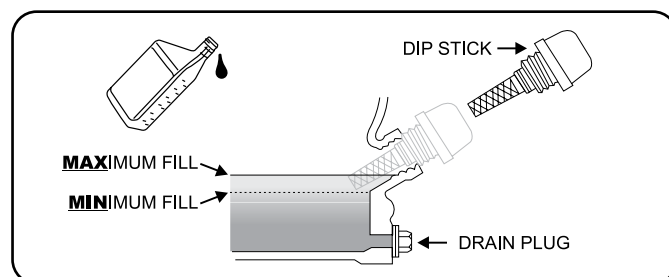
Byt olja när motorn är varm. Se oljespecifikationen för att välja rätt oljekvalitet för din användningsmiljö.

1. Ta bort oljelocket/oljestickan.
2. Använd en tång för att föra fjäderklämman nerför oljetömningsslangen och dra ut slangen ur pluggfästet.
3. Rikta slangen i ett tömningsfat och låt oljan tömmas helt. **Observera:** Slangens ände måste befinna sig nedanför motorn för att oljan ska tömmas ur.
4. Fäst tillbaks oljetömningsslangen på pluggfästet och för fjäderklämman tillbaks på plats.
5. Fyll på olja och återställ oljestickan och oljelocket. ÖVERFYLL INTE.
6. Kassera använd olja på en godkänd avfallshanteringsstation.

## OBSERVERA

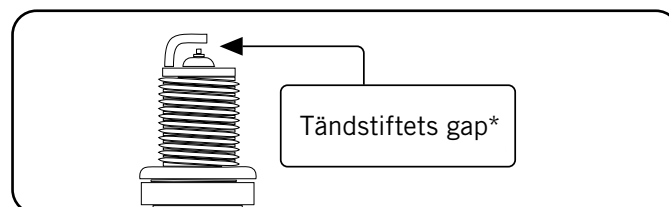
När oljan har fyllts på bör en avsyning visa olja upp till ca. 1-2 gånger från att rinna ut ur påfyllningshålet. Om du använder en oljesticka för att kontrollera oljan ska du INTE skruva fast oljestickan när du gör kontrollen.

## Olja, forts.



## Tändstift

1. Ta bort sladden till tändstiftet.
2. Använd en hylsnyckel (ingår inte) för att ta bort tändstiftet.
3. Kontrollera elektroderna på tändstiftet. Den måste vara ren och inte sliten för att producera den gnista som krävs för tändning.
4. Se diagrammet över rekommenderade tändstift vid byte av tändstift.
5. Sätt försiktigt tillbaks tändstiftet i motorn.
6. Använd ett tändstiftsverktyg (ingår inte) för att installera tändstiftet ordentligt.
7. Fäst sladden till tändstiftet.



## 73001i(EU), 73001i-P(EU)

OEM-Tändstift: F6RTC

Utbyteständstift: NGK BPR6ES eller motsvarande

Säkerställ att tändstiftets gap är 0,7-0,8 mm (0,028 – 0,031 in.)

## Underhåll av ventilspel

- Inloppsventil: 0,06 – 0,12 mm (0,002 – 0,005 in.)

- Avgasventil: 0,08 – 0,14 mm (0,003 – 0,006 in.)

## 71001i(EU), 72301i(EU)

OEM-Tändstift: E6RTC

Utbyteständstift: NGK BPR6HS eller motsvarande

Säkerställ att tändstiftets gap är 0.6 - 0.7 mm or (0.024 - 0.028 in.).

## Underhåll av ventilspel

- Inloppsventil: 0.1 mm (0.004 in.)

- Avgasventil: 0.1 mm (0.004 in.)



## Ladda batteriet

För generatorer som är utrustade med batterier för elektrisk start måste korrekt batteriunderhåll och batteriförvaring ske. En automatisk batteriladdare (ingår inte) med automatisk underhållsladdning bör användas för att ladda batteriet. Maximal laddningsstyrka bör inte överstiga 1,5 ampere. Följ de instruktioner som följer med batteriladdaren. Batteriet bör laddas fullt minst en gång i månaden.

### OBSERVERA

En underhållsladdare kommer att bibehålla batteriet i gott skick under långa förvaringsperioder.

## Koppla ifrån batteriet

1. Ta bort batteriets panelskydd.
2. Ta bort det skyddande höljet från den svarta minuspoolen (-).
3. Koppla ifrån den svarta minuspoolen (-) från den svarta minusterminalen (-) på batteriet och spara/förvara lockskruven och låsbrickan.
4. Upprepa steg 1-2 för den röda pluspoolen (+).
5. Förvara batteriet på en sval torr plats.

## Batteri till fjärrkontroll

### OBSERVERA

- Köp alltid ett batteri av rätt storlek och kvalitet som passar bäst för den avsedda användningen.
- Rengör batteriets kontakter och även de på enheten som ska anslutas innan batteriet installeras.
- Ta bort batterierna ur utrustning som inte kommer att användas under en längre tid.
- Ta bort tomma batterier eller om produkten inte ska användas på en längre tid.

## Generatorunderhåll

Se till att generatorn hålls ren och att den förvaras på lämpligt sätt. Använd endast enheten på en platt jämn yta i en ren, torr användningsmiljö. UTSÄTT INTE enheten för extrema omständigheter, överdrivet damm, smuts, fukt eller frätande ångor.

### FÖRSIKTIGHET

ANVÄND INTE en trädgårdsslang för att rengöra generatorn.

Vatten kan komma in i generatorn via avkylningsslitsarna och skada generatorns spiraler.

## Generatorunderhåll, forts.

Använd en fuktig trasa för att rengöra utsidan på generatorn.

Använd en mjuk borste för att ta bort smuts och olja.

Använd en luftkompressor (25 PSI) för att ta bort smuts och skräp från generatorn.

Inspektera alla luftventiler och avkylningsslitsar för att säkerställa att de är rena och obehindrade.

## Förvaring

Generatorn bör startas minst en gång var 14:e dag och köras i minst 20 minuter. För längre tids förvaring, vänligen följ dessa riktlinjer.

## Generatorförvaring

1. Fyll på en lämplig bränslestabilisator i tanken.
2. Se till att alla apparater är fränkopplade från generatorn.
3. Kör generatorn ett par gånger så att det behandlade bränslet cirkulerar i bränslesystemet och förgasaren.
4. Vrid bränsleventilen till läge "OFF".
5. Låt motorn köras tills bristen på bränsle stoppar motorn. Detta tar vanligtvis några minuter.
6. Generatorn behöver kylas ned helt innan rengöring och förvaring.
7. Ta bort tändstiftslocket och dra sedan i dragsnöret tre gånger för att tömma förgasarmunstyckena på bensin.
8. Byt motoroljan.
9. Ta bort tändstiftet och håll i ca. en matsked olja i cylindern. Veva motorn försiktigt för att distribuera oljan och smörja cylindern.
10. Sätt tillbaka tändstiftet.
11. Förvara enheten på en ren, torr plats och inte i direkt solljus.

### FARA

Generatoravgaser innehåller kolmonoxid som är en färglös, doftfri, giftig gas.

För att undvika oavsiktlig tändning av din elektriska startgenerator under förvaringsperioder bör följande förebyggande åtgärder tas:

- Se till att tändningen, bränsleventilen och batteriets omkopplare är i läge "OFF" när generatorn ska förvaras under kortare perioder.
- Se till att tändningen, bränsleventilen och batteriets omkopplare är i läge "OFF" och att batteriets pooler har kopplats bort från batteriet när generatorn ska förvaras under en längre tid.

# UNDERHÅLL OCH FÖRVARING

## Underhållsschema

Följ de underhållsintervall som anges i följande underhållsschema.

Genomför underhåll på din generator oftare om den används i ogynnsamma förhållanden.

<b>Var åttonde timme eller dagligen</b>	
	Kontrollera oljenivå
	Rengör runt luftintag och ljuddämpare
<b>De första fem timmarna</b>	
	Byt olja
<b>Var 50:e timme eller varje säsong</b>	
	Rengör luftfilter
	Byt olja om generatören ska köras under tung belastning eller i het miljö.
<b>Var 100:e timme eller varje säsong</b>	
	Byt olja
	Rengör/justera tändstift
	Kontrollera/justera ventilavstånd*
	Rengör gnistskydd
	Rengör bränsletank och filter*
<b>Var 250:e timme</b>	
	Rengör förbränningskammare*
<b>Vart tredje år</b>	
	Ersätt bränsleslangen

\*Ska utföras av kunniga, erfarna ägare eller av Champion Power Equipment-certifierade återförsäljare.

Problem	Orsak	Lösning
Generatoren startar inte	Inget bränsle	Fyll på bränsle
	Felaktigt tändstift	Byt ut tändstiftet
	Enheten var belastad under uppstart	Ta bort belastningen från enheten
Generatoren startar inte; Generatoren startar men går ojämnt	Låg oljenivå	Fyll på vevhuset till lämplig nivå Placera generatoren på en platt jämn yta
	Choken står i fel läge.	Justera choken.
	Sladden till tändstiftet är lös	Fäst sladden till tändstiftet
Generatoren startar inte med fjärrkontrollen	Batteriet i fjärrkontrollen är dött	Byt ut batteriet i fjärrkontrollen
	Generatorbatteriet är dött	Ladda upp generatorbatteriet
	Batteriokopplaren står i läge "OFF"	Vrid batteriokopplaren till läge "ON".
Generatoren startar inte elektriskt	Generatorbatteriet är dött	Ladda upp generatorbatteriet
	Batteriokopplaren står i läge "OFF"	Vrid batteriokopplaren till läge "ON".
Generatoren stängs av under drift	Slut på bränsle	Fyll på bränsletanken
	Låg oljenivå	Fyll på vevhuset till lämplig nivå Placera generatoren på en platt jämn yta
Generatoren alstrar inte tillräckligt med ström eller överhettas	Generatoren är överbelastad	Kontrollera belastningen och justera. Se "Strömhantering"
	Otillräcklig ventilation	Kontrollera om luften hindras. Flytta generatoren till en väl ventilerad plats.
Ingen växelström ges	Sladdar inte korrekt anslutna	Kontrollera alla anslutningar
	Ansluten enhet fungerar inte	Byt ut den anslutna enheten
	Strömbrytaren är öppen	Återställ strömbrytaren
	Lösa kablar	Kontrollera och sätt fast kabelanslutningar
	Övrigt	Kontakta hjälplinjen
Strömbrytaren utlöses upprepade gånger	Överbelastning	Kontrollera belastningen och justera. Se "Strömhantering"
	Felaktiga sladdar eller enhet	Kontrollera efter skadade, öppna eller fransiga sladdar. Byt ut den anslutna enheten

# KONTROLLER OCH EGENSKAPER

---

## Trådlös fjärrkontroll

Den här generatoren är utrustad med ett trådlöst fjärrkontrollsystem för start och avstängning. Systemet består av följande (4) huvudkomponenter:

- Fjärrkontrollmodul (RCM)
- Trådlös fjärrkontroll
- Batteriomkopplare (knapp)
- Tändning (knapp)

Både tändningen och batteriomkopplaren behöver vara påslagna för att fjärrkontrollens funktioner ska fungera. För att starta generatoren, tryck in "start"-knappen en gång. Motorn kommer att försöka starta sex gånger. Fjärrkontrollmodulen kommer att försöka starta den automatiska choken. Kontakta din lokala handlare om generatoren inte startar. För att stänga av generatoren, tryck på "stop"-knappen en gång.

## Fjärrkontrollens strömfunktion

Om tändningen (knapp) lämnas påslagen kan batteriet tömmas helt. För att förhindra att batteriet töms ska både tändningen och batteriomkopplaren vara i läge "OFF".

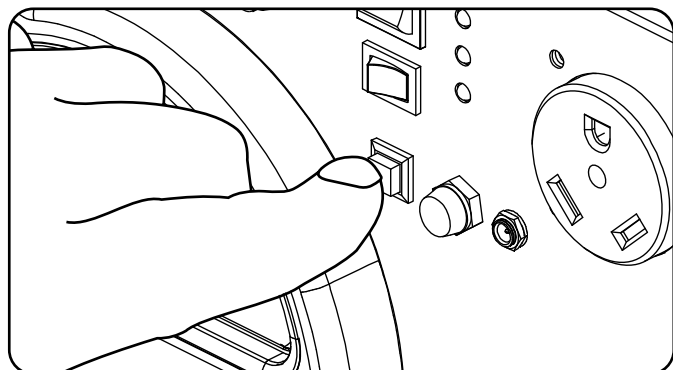
## Strömpanelens belastningshantering

När generatoren startas med fjärrkontrollen kommer det att vara en 15-sekunders fördröjning innan strömpanelen går att använda. När generatoren stängs av med fjärrkontrollen stängs strömpanelen av omedelbart och därefter motorn fem sekunder senare. Spänningsfördröjningen vid start och avstängning sker bara vid användning av fjärrkontrollen. När startknappen eller dragsnöret används för start måste användaren se till att all elektrisk belastning (anslutna apparater) är avstängda under start och avstängning. Om inte det görs kan generatoren eller anslutna apparater skadas.

## Trådlös inställningsknapp

Den trådlösa inställningsknappen är en funktion som låter användaren synka fjärrkontroller med generatoren. Man kan ansluta upp till två fjärrkontroller eller återställa en fjärrkontroll med generatoren. För att återställa en fjärrkontroll eller synka två fjärrkontroller, följ följande steg:

1. Vrid tändningen till läge "ON".
2. Vrid batteriomkopplaren till läge "ON".
3. Tryck ner och håll knappen för trådlös inställning intill den röda lampan (på frampanelen) för ca. tre sekunder. Den röda lampan tänds.
4. Tryck in och släpp upp "STOP"-knappen på fjärrkontrollen. Den röda lampan blinkar en gång för att radera fjärrprogrammet.
5. Tryck in och släpp upp "START"-knappen. Den röda lampan blinkar en gång för att programmera fjärrkontrollen.
6. Tryck in och håll knappen för programmering i ca. tre sekunder tills den röda lampan slocknar.
7. Testa start- och stoppfunktioner



### NOTE

Endast två fjärrkontroller kan vara synkade med varje generator åt gången.

### NOTE

Att byta ut fjärrkontrollens batteri behöver inte kräva någon återställning av fjärrkontrollen.

## Parallell användning

Två (2) Champion-generatorer kan användas parallellt för att öka den totala mängden ström. Ett Champion-parallellpaket (extra utrustning) krävs för parallell användning. För tillgänglighet av parallellpaket, besök [www.championpowerequipment.eu](http://www.championpowerequipment.eu)

Detaljerade instruktioner för installation av parallellpaket och gradering på de anslutna generatorerna finns i parallellpaketets ägarmanual och bruksanvisning.

# EINLEITUNG

---

## Einführung

Herzlichen Glückwunsch zum Kauf Ihres Stromerzeugers. Bitte und pflegen Sie korrekt.

## Mobiler Stromerzeuger

Dieses Gerät ist ein benzinbetriebener Wechselstromgenerator, der zur Stromversorgung verwendet wird.

## Zubehör

CPE produziert und liefert eine Reihe von Zubehörteilen. Weitere Informationen erhalten Sie beim lokalen Händler.

## Diese Broschüre

Wir behalten uns das Recht vor, das Produkt und dieses Handbuch ohne vorherige Ankündigung zu ändern, zu modifizieren oder zu verbessern.

---

Notieren Sie sich die Modell- und Seriennummern sowie Datum und Ort des Kaufs zur späteren Verwendung. Halten Sie diese Informationen bei der Bestellung von Teilen und bei technischen und/oder Garantieforderungen bereit.

Champion Power Equipment Support	
Modellnummer	
Seriennummer	
Kaufdatum	
Kaufort	
Für die Ölsorte siehe Abschnitt "Motoröl hinzufügen". Für die Kraftstoffart siehe Abschnitt "Kraftstoff hinzufügen".	

Bitte machen Sie sich mit den folgenden Symbolen vertraut. Das Sicherheitssymbol und die Schlüsselwörter sind Sicherheitshinweise. Befolgen Sie alle Sicherheitshinweise, um Unfälle und/ oder Verletzungen zu vermeiden.

## **GEFAHR**

GEFAHR weist auf eine unmittelbar drohenden Gefahr hin, die, wenn sie nicht vermieden wird, zum Tod oder zu schweren Verletzungen führt.

## **WARNUNG**

WARNUNG weist auf eine potenziell gefährliche Situation hin, die, wenn sie nicht vermieden wird, zu Tod oder schweren Verletzungen führen kann.

## **VORSICHT**

VORSICHT weist auf eine potenziell gefährliche Situation hin, die, wenn sie nicht vermieden wird, zu leichten oder mittleren Verletzungen führen kann.

## **VORSICHT**

VORSICHT, die ohne das Sicherheitswarnsymbol verwendet wird, weist auf eine potenziell gefährliche Situation hin, die, wenn sie nicht vermieden wird, zu Sachschäden führen kann.

## **HINWEIS**

Wenn Sie Fragen zu Ihrem Generator haben, können wir Ihnen helfen. Bitte wenden Sie sich an Ihren Händler vor Ort.

## **WARNUNG**

Lesen Sie diese Anleitung sorgfältig durch, bevor Sie Ihren Generator in Betrieb nehmen. Die Nichtbeachtung der Anweisungen kann zu schweren Verletzungen oder zum Tod führen.

## **WARNUNG**

Der Motorabgas aus diesem Produkt enthalten Chemikalien, von denen bekannt ist, dass sie schwerwiegende Gesundheitsprobleme und sogar den Tod verursachen.

## **GEFAHR**

Das Abgas des Generators enthält Kohlenmonoxid, ein farbloses, geruchloses Giftgas. Das Einatmen von Kohlenmonoxid verursacht Übelkeit, Schwindel, Ohnmacht oder Tod. Wenn Sie sich schwindelig oder schwach fühlen, gehen Sie sofort an die frische Luft.

Betreiben Sie den Generator im Freien nur in einem gut belüfteten Bereich. Betreiben Sie den Generator NICHT in einem Gebäude, einschließlich Garagen, Kellern und Schuppen, einem Gehäuse oder Abteil, einschließlich des Stauraums eines Wohnmobils. Lassen Sie KEINE Abgase durch Fenster, Türen, Lüftungsschlitze oder andere Öffnungen gelangen.

**GEFAHR CARBON MONOXID: Die Verwendung eines Generators in Innenräumen kann Sie in wenigen Minuten töten.**

## **GEFAHR**

Rotierende Teile können Hände, Füße, Haare, Kleidung und/oder Accessoires verwickeln. Dies kann zu einer traumatischen Amputation oder schweren Platzwunden führen.

Halten Sie Hände und Füße von rotierenden Teilen fern. Binden Sie lange Haare zusammen und entfernen Sie Schmuck. Betreiben Sie das Gerät mit installierten Schutzvorrichtungen. Tragen Sie KEINE lose sitzende Kleidung, baumelnde Kordeln oder Gegenstände, die sich verfangen könnten.

## **WARNUNG**

Dieses Produkt enthält eine Knopf-Batterie. Beim Verschlucken kann es innerhalb von nur 2 Stunden zu schweren Verletzungen oder zum Tod kommen. Sofort einen Arzt aufsuchen.

## **GEFAHR**

Der Generator erzeugt eine starke Spannung.

Berühren Sie KEINE blanken Drähte oder Buchsen. Verwenden Sie KEINE Stromkabel, die abgenutzt, beschädigt oder ausgefranst sind. Betreiben Sie den Generator NICHT bei nassem Wetter. Lassen Sie KEINE Kinder oder nicht qualifizierte Personen den Generator bedienen oder warten. Verwenden Sie einen Fehlerstromschutzschalter (FI) in Feuchträumen und Bereichen, die leitfähiges Material enthalten, wie z. B. Metallböden. Verwenden Sie zugelassene Transfer-Geräte, um den Generator ins Stromnetz integrieren. Informieren Sie Ihr Versorgungsunternehmen, bevor Sie den Generator an Ihr Stromnetz anschließen.

## **WARNUNG**

Funken können zu Bränden oder Stromschlägen führen.

### **Bei der Wartung des Generators:**

Ziehen Sie das Zündkerzenkabel ab und legen Sie es dort ab, wo es die Kerze nicht berühren kann. Überprüfen Sie NICHT bei gezogener Kerze auf Zündung. Verwenden Sie nur zugelassene Zündkerzenprüfgeräte.

## **WARNUNG**

Laufende Motoren erzeugen Wärme. Bei Kontakt können schwere Verbrennungen auftreten. Brennbar Materialien können bei Kontakt Feuer fangen.

Berühren Sie KEINE heißen Oberflächen. Vermeiden Sie den Kontakt mit heißen Abgasen. Lassen Sie das Gerät vor dem Berühren abkühlen. Halten Sie einen Abstand von 91,4 cm (3 ft.) auf allen Seiten ein, um eine ausreichende Kühlung zu gewährleisten. Halten Sie einen Abstand von mindestens 1,5m (5 ft.) zu brennbaren Materialien ein.

## **WARNUNG**

Medizinische und lebenserhaltende Anwendungen.

Rufen Sie im Notfall sofort den Notfalldienst an. Verwenden Sie dieses Produkt NIEMALS zur Stromversorgung von lebenserhaltenden Geräten oder lebenserhaltenden Geräten. Verwenden Sie dieses Produkt NIEMALS zur Stromversorgung von Medizinprodukten oder medizinischen Geräten. Informieren Sie sofort Ihren Stromversorger, wenn Sie oder jemand in Ihrem Haushalt auf elektrische Geräte zum Leben angewiesen ist. Informieren Sie sofort Ihren Stromversorger, wenn ein Stromausfall dazu führen würde, dass Sie oder jemand in Ihrem Haushalt einen medizinischen Notfall erleidet.



## DANGER

Kraftstoff und Kraftstoffdämpfe sind leicht entzündlich und extrem explosiv. Eine unbeabsichtigte Inbetriebnahme kann zu schweren Verletzungen führen.

### **Beim Hinzufügen oder Entfernen von Kraftstoff:**

Schalten Sie den Generator aus und lassen Sie ihn mindestens zwei Minuten abkühlen, bevor Sie den Tankdeckel entfernen. Lösen Sie die Kappe langsam, um den Druck im Tank abzubauen. Füllen oder entleeren Sie Kraftstoff nur im Freien in einem gut belüfteten Bereich. Füllen Sie KEIN Benzin direkt in den Generator an der Tankstelle. Verwenden Sie einen zugelassenen Behälter, um den Kraftstoff zum Generator zu transportieren.. Den Kraftstofftank NICHT überfüllen. Halten Sie den Kraftstoff immer fern von Funken, offenen Flammen, Kontrollleuchten, Hitze und anderen Zündquellen.. Zünden oder rauchen Sie keine Zigaretten.

### **Beim Starten des Generators:**

Versuchen Sie NICHT, einen beschädigten Generator zu starten. Vergewissern Sie sich, dass Tankdeckel, Luftfilter, Zündkerze, Kraftstoffleitungen und Abgassystem ordnungsgemäß angebracht sind. Lassen Sie verschütteten Kraftstoff vollständig verdunsten, bevor Sie versuchen, den Motor zu starten. Achten Sie darauf, dass der Generator fest auf ebenem Boden steht.

### **Beim Betrieb des Generators:**

Bewegen oder kippen Sie den Generator während des Betriebs NICHT. Den Generator NICHT kippen oder Kraftstoff oder Öl auslaufen lassen.

### **Beim Transport oder Wartung des Generators:**

Vergewissern Sie sich, dass sich das Kraftstoffabsperventil in der Aus-Stellung befindet und der Kraftstofftank leer ist. Ziehen Sie das Zündkerzenkabel ab.

### **Bei der Lagerung des Generators:**

Lagern Sie das Gerät fernab von Funken, offenen Flammen, Kontrollleuchten, Hitze und anderen Zündquellen.

## WARNING

Der Betrieb dieses Geräts kann Funken erzeugen, die in der Umgebung von trockener Vegetation Brände auslösen können.

Gegebenenfalls ist eine Funkensperre erforderlich. Der Betreiber sollte sich für Gesetze oder Vorschriften in Bezug auf Brandschutzanforderungen an die örtlichen Brandschutzbehörden wenden.

## WARNUNG

Das schnelle Einziehen des Starterseils zieht Hand und Arm schneller zum Motor, als Sie loslassen können, was zu schweren Verletzungen führen kann.

Beim Anlassen des Motors das Starterseil langsam ziehen, bis ein Widerstand spürbar ist, und dann schnell ziehen, um Rückschläge zu vermeiden. Starten oder stoppen Sie den Motor NICHT, wenn elektrische Geräte angeschlossen sind.

## VORSICHT

Eine Überschreitung der Betriebskapazität des Generators kann den Generator und/oder die daran angeschlossenen elektrischen Geräte beschädigen.

Überlasten Sie den Generator NICHT. Starten Sie den Generator und lassen Sie den Motor sich stabilisieren, bevor Sie elektrische Verbraucher anschließen. Schließen Sie die elektrischen Geräte in der Aus-Stellung an und schalten Sie sie dann zur Bedienung ein. Schalten Sie die elektrischen Geräte aus, bevor Sie den Generator stoppen. Manipulieren Sie NICHT die regulierte Geschwindigkeit. Nehmen Sie KEINE Modifikationen am Gerät vor.

## VORSICHT

Unsachgemäße Behandlung oder Verwendung des Generators kann ihn beschädigen, seine Lebensdauer verkürzen und zum Erlöschen der Garantie führen.

Verwenden Sie den Generator nur für den bestimmungsgemäßen Gebrauch. Betreiben Sie das Gerät nur auf ebenen Flächen. Setzen Sie den Generator NICHT übermäßiger Feuchtigkeit, Staub oder Schmutz aus. Lassen Sie kein Material die Kühlschlitze blockieren. Wenn sich angeschlossene Geräte überhitzen, schalten Sie sie aus und trennen Sie sie vom Generator.

Verwenden Sie den Generator NICHT, wenn:

- Elektrische Leistung verloren geht
- Equipment Funken erzeugt, raucht oder brennt
- Equipment übermäßig vibriert

# INBETRIEBNAHME

Ihr Generator benötigt eine gewisse Montage. Dieses Gerät wird ab Werk ohne Öl ausgeliefert. Vor dem Betrieb muss er ordnungsgemäß mit Kraftstoff und Öl gewartet werden. Wenn Sie Fragen zur Montage Ihres Generators haben, wenden Sie sich bitte an Ihren Händler vor Ort. Bitte halten Sie Ihre Seriennummer und Modellnummer bereit.

## Entfernen Sie den Generator aus dem Versandkarton

1. Stellen Sie den Versandkarton auf eine feste, ebene Fläche.
2. Entfernen Sie alles aus dem Karton mit Ausnahme des Generators.
3. Entfernen Sie den Generator vorsichtig mit den Tragegriffen des Gerätes aus der Box. (es wird empfohlen, dass zwei Personen anheben)

## Anschluss der Batterie (Elektrostartmodelle)

1. Entfernen Sie mit einem Schraubendreher die beiden (2) Schrauben der Batteriefachabdeckung.
2. Nach dem Entfernen der Schrauben kann an der Gummizuglasche gezogen werden, um die Batteriefachabdeckung zu lösen und zu entfernen. (A)
3. Entfernen Sie die Batteriefachabdeckung. (A)
4. Trennen Sie den Kabelbinder, der die Batteriekabel miteinander verbindet.
5. Lösen Sie mit einem Schraubendreher die Batterieschraube in der roten, positiven (+) Batterieklemme.
6. Schließen Sie das rote, positive (+) Kabel mit der Schraube an den positiven (+) Pol der Batterie an.
7. Gummimantel über die Verbindung des Batteriekabels und der Batterieklemme ziehen.
8. Wiederholen Sie die Schritte 5-7 für das schwarze Batteriekabel negativen (-) und den schwarzen, negativen (-) Batterieanschluss.

## Anschließen des Batterieanschlusses (Fortsetzung).

### HINWEIS

Wenn die Batteriekabel nach dem Entfernen der Batterie-Wartungsabdeckung nicht sichtbar sind, beachten Sie bitte, dass die Kabel außerhalb Ihres Sichtbereichs über der Batterie verstaut sein können

## Motoröl hinzufügen

### ! VORSICHT

Versuchen Sie NICHT, den Motor zu kurbeln oder zu starten, bevor er nicht ordnungsgemäß mit der empfohlenen Art und Menge an Öl gefüllt wurde. Schäden am Generator, die durch Nichtbeachtung dieser Anweisungen verursacht werden, führen zum Erlöschen der Garantie.

### HINWEIS

Die empfohlene Ölsorte ist 10W-30 Automobilöl.

1. Stellen Sie den Generator auf einen flachen, ebenen Untergrund.
2. Lösen Sie die Abdeckungsschrauben und entfernen Sie die Abdeckung.
3. Öleinfülldeckel/Messstab entfernen, um Öl hinzuzufügen.
4. Öl nachfüllen und Öleinfülldeckel/Messstab wieder einsetzen. NICHT ÜBERFÜLLEN.
5. Den Motorölstand täglich überprüfen und bei Bedarf nachfüllen.

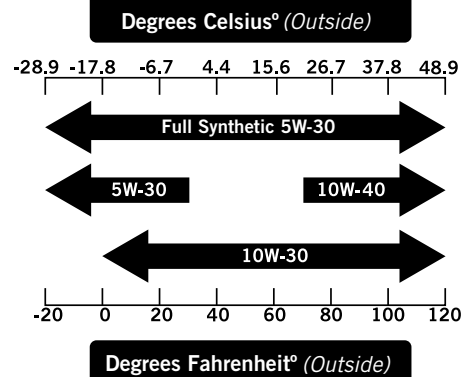
### HINWEIS

Nach dem Einfüllen des Öls sollte eine Sichtkontrolle zeigen, dass das Öl ca. 1-2 Gewindegänge aus der Einfüllöffnung ausläuft. Wenn Sie den Ölmesstab zur Ölstandskontrolle verwenden, schrauben Sie den Ölmesstab während der Kontrolle NICHT ein.

### HINWEIS

Überprüfen Sie das Öl regelmäßig während der Einlaufphase. Empfohlene Wartungsintervalle finden Sie im Abschnitt *Wartung*.

## Motoröl hinzufügen Fortsetzung



### VORSICHT

Der Motor ist mit einer Niedrig-Öl-Abschaltung ausgestattet und stoppt, wenn der Ölstand im Kurbelgehäuse den Schwellenwert unterschreitet.

### HINWEIS

Der Generatorrotor verfügt über ein abgedichtetes, vorgeschmiertes Kugellager, das während der gesamten Lebensdauer des Lagers keine zusätzliche Schmierung benötigt.

### HINWEIS

Wir betrachten die ersten 5 Stunden der Betriebszeit als Einlaufzeit für das Gerät. Während der Einlaufzeit bleiben Sie bei oder unter 50% der Betriebsleistung und variieren Sie die Last gelegentlich, damit die Statorwicklungen heizen und kühlen können. Das Anpassen der Last führt auch dazu, dass sich die Motordrehzahl ändert und die Kolbenringe sich setzen können. Nach der 5-stündigen Einlaufzeit das Öl wechseln.

### HINWEIS

Das Wetter wird sich auf das Motoröl und die Motorleistung auswirken. Ändern Sie die Art des verwendeten Motoröls je nach Wetterlage entsprechend den Anforderungen des Motors.

### HINWEIS

Synthetisches Öl kann nach der anfänglichen Einarbeitungszeit von 5 Stunden verwendet werden. Die Verwendung von synthetischem Öl verlängert nicht das empfohlene Ölwechselintervall.

## Kraftstoff hinzufügen

1. Verwenden Sie sauberen, frischen, regelmäßigen bleifreien Kraftstoff mit einem Oktanzahl von mindestens 85 und einem Ethanolgehalt von weniger als 10 Vol.-%.
2. Mischen Sie KEIN ÖL mit Kraftstoff.
3. Reinigen Sie den Bereich um den Tankdeckel.
4. Entfernen Sie den Tankdeckel.
5. Geben Sie den Kraftstoff langsam in den Tank. NICHT ÜBERFÜLLEN. Der Kraftstoff kann sich nach dem Befüllen ausdehnen. Ein Minimum von 1/4 Zoll. (6,4 mm) des im Tank verbleibenden Raums für die Kraftstoffausdehnung wird benötigt, mehr als 1/4 Zoll.(6,4 mm) wird empfohlen. Bei Überfüllung kann Kraftstoff durch Expansion aus dem Tank gedrückt werden und den stabilen Betriebszustand des Produkts beeinträchtigen. Beim Befüllen des Tanks wird empfohlen, genügend Platz für die Ausdehnung des Kraftstoffs zu lassen.
6. Schrauben Sie den Tankdeckel wieder auf und wischen Sie ggf. verschütteten Kraftstoff ab.

### VORSICHT

Verwenden Sie bleifreies Normalbenzin mit einer Oktanzahl von mindestens 85.

Mischen Sie kein Öl und Benzin. Füllen Sie den Tank auf ca. 1/4 Zoll. (6,4 mm) unter der Oberseite des Tanks, um eine Kraftstoffausdehnung zu ermöglichen. Pumpen Sie KEIN Benzin direkt in den Generator an der Tankstelle. Verwenden Sie einen zugelassenen Behälter, um den Kraftstoff zum Generator zu transportieren. Füllen Sie den Kraftstofftank NICHT im Innenbereich. Den Kraftstofftank NICHT füllen, wenn der Motor läuft oder heiß ist. Den Kraftstofftank NICHT überfüllen. Beim Befüllen des Kraftstofftanks KEINE Zigaretten anzünden oder rauchen.

### WARNUNG

Wenn Sie den Kraftstoff zu schnell durch das Kraftstoffsieb gießen, kann es beim Befüllen zu einem Rückschlag in Richtung des Bedieners kommen..

## Kraftstoff hinzufügen (Fortsetzung)

### HINWEIS

Unsere Motoren funktionieren gut mit 10% oder weniger Ethanolmischkraftstoffen. Bei der Verwendung von Mischbrennstoffen gibt es einige Besonderheiten zu beachten::

- EEthanol-Benzin-Gemische können mehr Wasser aufnehmen als Benzin allein.
- Diese Mischungen können sich schließlich trennen und Wasser oder einen wässrigen Schmiere im Tank, Kraftstoffventil und Vergaser zurücklassen.
- Bei schwerkraftgespeisten Kraftstoffzuführungen kann dieser gefährdete Kraftstoff in den Vergaser gesaugt werden und zu Schäden am Motor und/oder möglichen Gefahren führen.
- Es gibt nur wenige Anbieter von Kraftstoffstabilisatoren, die für den Einsatz mit Ethanolmischkraftstoffen entwickelt wurden.
- Jegliche Schäden oder Gefahren, die durch die Verwendung von unsachgemäßem Kraftstoff, unsachgemäß gelagertem Kraftstoff und/oder anderen Materialien verursacht werden.oder falsch formulierte Stabilisatoren, fallen nicht unter die Herstellergarantie.

Es ist ratsam, die Kraftstoffzufuhr immer abzuschalten, den Motor auf Kraftstoffmangel einzustellen und den Tank zu entleeren, wenn das Gerät länger als 30 Tage nicht benutzt wird.

## Erdung

Ihr Generator muss ordnungsgemäß an eine geeignete Erdung angeschlossen sein, um einen elektrischen Schlag zu vermeiden.

### WARNUNG

Eine unzureichende Erdung des Generators kann zu einem elektrischen Schlag führen.

Eine Erdungsklemme, die mit dem Rahmen des Generators verbunden ist, ist auf dem Fronpanel vorgesehen. Für die Fernerdung verbinden Sie einen Kupferdraht mit einer Länge von schwerem Durchmesser (mindestens 12 AWG) zwischen dem Generator- Masseanschluss und einer in die Erde eingetriebenen Kupferstange. Wir empfehlen dringend, dass Sie sich an einen qualifizierten Elektriker wenden, um die Einhaltung der örtlichen Vorschriften zu gewährleisten.

## Standort des Generators

Betreiben Sie den Generator niemals in einem Gebäude! (Siehe Abschnitt Sicherheitshinweise). In einigen Bereichen müssen Generatoren beim örtlichen Versorgungsunternehmen registriert werden. Generatoren, die auf Baustellen eingesetzt werden, können den örtlichen Vorschriften und Vorschriften unterliegen. Das Gerät auf einem flachen, ebenen Untergrund aufstellen. Der Generator muss einen Mindestabstand von 1,5 m (5 ft) zu allen brennbaren Materialien aufweisen. Darüber hinaus müssen sie auf allen Seiten einen Freiraum von mindestens 91,4 cm (3 ft) gewährleisten, um eine ausreichende Kühlung, Wartung und Instandhaltung zu ermöglichen. Generatoren sollten niemals an einem Ort gestartet oder betrieben werden, der eine ausreichende Kühlung des Generators und/oder des Auspuffs nicht zulässt. Lassen Sie die Generatoren vor der Lagerung oder dem Transport abkühlen. Stellen Sie den Generator nicht in der Nähe von Lüftungsschlitzen oder Einlässen auf. Bei der Aufstellung des Generators sind Wind- und Luftströme sorgfältig zu berücksichtigen.

**Bei Nichtbeachtung der entsprechenden Sicherheitsvorkehrungen kann die Herstellergarantie erlöschen.**

### **WARNUNG**

Betreiben oder lagern Sie den Generator nicht bei Regen, Schnee oder Nässe.

Die Verwendung eines Generators oder eines elektrischen Geräts bei nassen Bedingungen, wie Regen oder Schnee, oder in der Nähe eines Beckens oder einer Sprinkleranlage, oder wenn Ihre Hände nass sind, kann zu einem Stromschlag führen.

### **WARNUNG**

Während des Betriebs werden der Schalldämpfer und die entstehenden Abgase heiß. Werden keine ausreichenden Kühl- und Atemräume zur Verfügung gestellt, oder ist der Generator blockiert oder eingedämmt, können sich die Temperaturen stark erwärmen und zu Bränden führen.

## Erdung

Die Masse des Generatorsystems verbindet den Rahmen mit den Erdungsklemmen auf dem Bedienpanel.

- Der Generator (Statorwicklung) ist vom Rahmen und vom Erdungsstift der AC-Buchse isoliert.
- Elektrische Verbraucher, die eine geerdete Steckdosen-Stiftverbindung erfordern, funktionieren nicht, wenn der Steckdosen-Massstift nicht funktionsfähig ist, es sei denn, der Nullleiter ist mit dem Rahmen verbunden.

## Kabelloser Fernstart (optionale Funktion)

Der drahtlose Fernstart ist nur innerhalb von 80 Fuß vom Generator möglich. (Das drahtlose Signal kann nicht durch einige feste Objekte hindurchgehen.) Versuchen Sie nicht, die Vergaserdrossel einzustellen. Die Fernbedienung und das elektrische System schließen und öffnen die Drosselklappe automatisch.

1. Stellen Sie sicher, dass sich der Generator auf einem flachen, ebenen Untergrund befindet.
2. Schalten Sie alle an den Generator angeschlossenen elektrischen Verbraucher aus. Starten oder stoppen Sie den Generator niemals bei eingeschalteten elektrischen Geräten.
3. Drehen Sie das Kraftstoffventil in die Position "ON".
4. Drücken Sie den Batterieschalter auf "EIN".
5. Drücken Sie den Zündschalter auf "EIN".
6. KABELLOSER FERNSTART: Drücken und lassen Sie die Taste "START" auf der Fernbedienung los. Halten Sie die Taste NICHT gedrückt, sondern drücken Sie die Taste nur einmal. Der Motor versucht, sechsmal zu starten.
7. Wenn der Generator nicht startet, überprüfen Sie den Batteriezustand und die Kabelverbindungen.

### **HINWEIS**

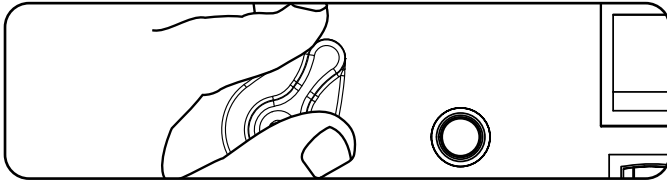
Die mitgelieferte 12V 7AH-Batterie lädt sich bei laufendem Motor wieder auf, aber es wird auch empfohlen, die Batterie mindestens einmal im Monat vollständig aufzuladen.

### **HINWEIS**

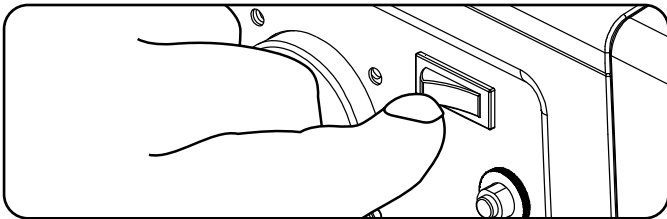
Wenn sich der Batterieschalter in der Position "ON" befindet, leuchtet der Schalter auf, wenn die Batterie eine Ladung abgibt. Wenn der Schalter in der Position "ON" nicht leuchtet, überprüfen Sie, ob der Batterieanschluss in Ordnung ist.

## Elektrischer (optional) und Rückstoßstart

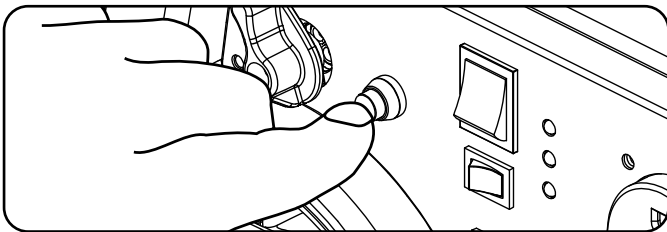
1. Vergewissern Sie sich, dass sich der Generator auf einer flachen, ebenen Fläche befindet.
2. Trennen Sie alle elektrischen Verbraucher vom Generator. Starten oder stoppen Sie den Generator niemals, wenn elektrische Geräte angeschlossen oder eingeschaltet sind.
3. Drehen Sie den Entlüftungshebel des Tankdeckels in die Position "On".



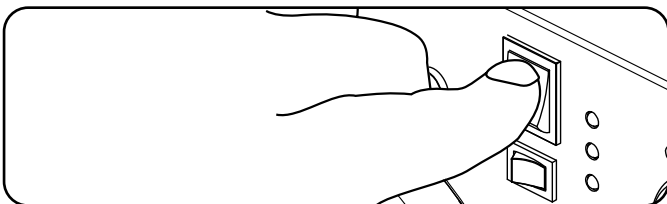
4. Drehen Sie den Batterieschalter in die Position "On".



5. Drücken Sie die Choke-Taste in die Position "Choke".



6. Drehen Sie den Zündschalter in die Position "On".



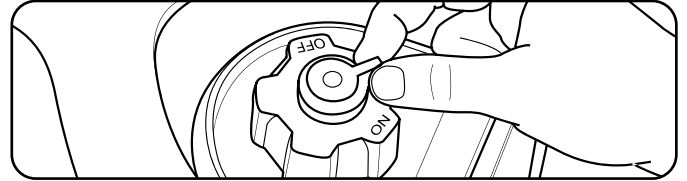
7. ELEKTRISCHER START: Drücken und halten Sie den Zündschalter in die Position "START". Lassen Sie sie los, wenn der Motor anfängt, sich zu drehen. Wenn der Motor innerhalb von fünf Sekunden nicht startet, lassen Sie den Schalter los und warten Sie mindestens zehn Sekunden, bevor Sie versuchen, den Motor erneut zu starten.
8. Seilzugstart: Ziehen Sie das Starterseil langsam, bis ein Widerstand spürbar ist, und ziehen Sie dann schnell.
9. Wenn sich der Motor erwärmt, drücken Sie den Choke-Knopf in die Position "Run".

### HINWEIS

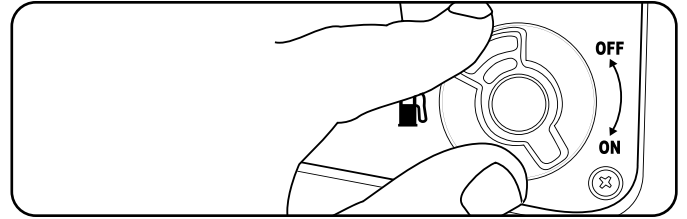
Halten Sie die Choke in der Position "Choke" nur für 1 Zug des Seilzugstarters. Nach dem ersten Zug schieben Sie die Choke für die nächsten drei Züge des Seilzugstarters ein. Zu viel Choke führt zu Zündkerzenverschmutzung / Motorüberflutung aufgrund des Fehlens von Zuluft. Dadurch wird der Motor nicht gestartet.

## Seilzug Start - Alternatives Modell

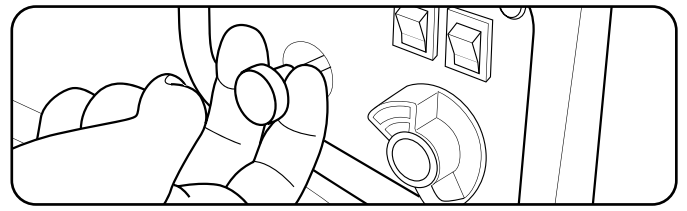
1. Vergewissern Sie sich, dass sich der Generator auf einer ebenen, ebenen Fläche befindet.
2. Trennen Sie alle elektrischen Verbraucher vom Generator. Starten oder stoppen Sie den Generator niemals, wenn elektrische Geräte angeschlossen oder eingeschaltet sind.
3. Drehen Sie den Entlüftungshebel des Tankdeckels in die Position "On".



4. Drehen Sie das Kraftstoffventil in die Position "Ein".



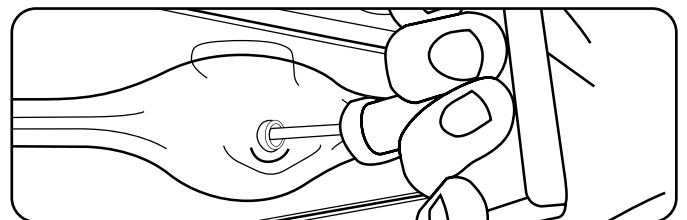
5. Ziehen Sie den Chokehebel heraus, wenn Sie den Generator starten.



6. Drehen Sie den Zündschalter in die Position "On".



7. Ziehen Sie das Starterseil langsam bis zum spürbaren Widerstand und ziehen Sie dann schnell.



8. Wenn sich der Motor erwärmt, drücken Sie den Choke-Knopf in die Position "Run".

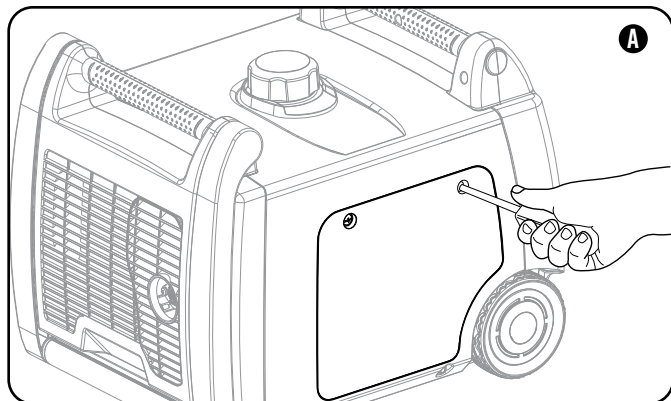
### HINWEIS

Wenn der Motor startet, aber nicht weiterläuft, stellen Sie sicher, dass sich der Generator auf einer ebenen, ebenen Fläche befindet. Der Motor ist mit einem Ölmenge-Sensor ausgestattet, der verhindert, dass der Motor läuft, wenn der Ölstand einen kritischen Schwellenwert unterschreitet.

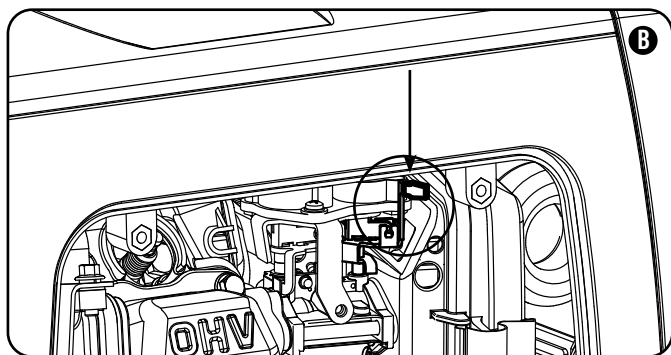
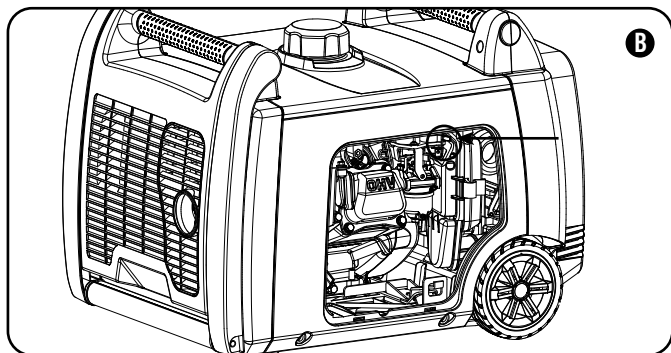
## Manueller Choke-Start nur für den 73001i-P.

Wenn die Batterie leer ist oder nicht in der Lage ist, genügend Strom für die Versorgung der Drucktastendrossel zu erzeugen, kann die Drossel selbst manuell betätigt werden, um den Motor zu starten. Um den Stromerzeuger manuell zu drosseln und zu starten, führen Sie diese Schritte aus:

1. Lösen Sie die Schrauben und entfernen Sie die Wartungsabdeckung. (A)



2. Suchen Sie den manuellen Chokehebel. (B)
3. Drehen Sie den Chokehebel in die Position "Choke" (rechts). (B)



4. Drehen Sie das Kraftstoffventil in die Position "ON".
5. Schalten Sie den Motorschalter auf die Position "ON".
6. Ziehen Sie am Seilzug, bis ein Widerstand spürbar wird, und ziehen Sie dann schnell.
7. Wenn der Motor anfängt, sich zu drehen, bewegen Sie den Chokehebel in die Position "RUN" (links).

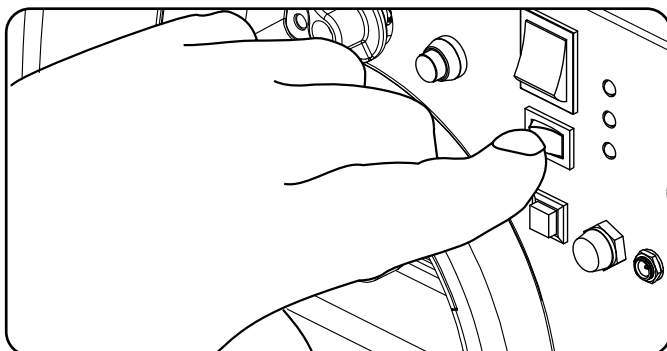
## Manueller Choke-Start Fortsetzung

### HINWEIS

Halten Sie die Choke in der Position "Choke" nur für 1 Zug des Seilzugstarters. Nach dem ersten Zug schieben Sie die Choke für die nächsten drei Züge des Seilzugstarters ein. Zu viel Choke führt zu Zündkerzenverschmutzung / Motorüberflutung aufgrund des Fehlens von Zuluft. Dadurch wird der Motor nicht gestartet.

## Economy-Steuerschalter

Die Verwendung des Economy-Steuerschalters minimiert den Kraftstoffverbrauch und die Geräuscentwicklung, wenn der Generator nicht unter Volllast betrieben wird. Wenn der Economy-Schalter ausgeschaltet ist, läuft der Generator mit normaler Geschwindigkeit kontinuierlich.



### ⚠️ WARNUNG

Für Zeiten mit hoher elektrischer Last oder kurzzeitigen Schwankungen sollte der Economy-Steuerschalter ausgeschaltet werden.

## Anschließen von elektrischen Verbrauchern

1. Lassen Sie den Motor nach dem Start für einige Minuten stabilisieren und erwärmen.
2. Stecken Sie die gewünschten, einphasigen 230V 50Hz Verbraucher ein und schalten Sie sie ein.
  - Schließen Sie KEINE 3-phasigen Lasten an den Generator an.
  - Schließen Sie KEINE 60 Hz Lasten an den Generator an
  - Den Generator NICHT überlasten.

### HINWEIS

Der Anschluss eines Generators an die Stromleitungen Ihres Energieversorgungsunternehmens oder an eine andere Stromquelle kann rechtswidrig sein. Hinzu kommt, dass bei unsachgemäßer Anwendung der Generator sowie angeschlossene Geräte beschädigt werden können. Des Weiteren kann dies zu schweren Verletzungen oder sogar zum Tod für Sie oder einen Elektriker führen, der an nahegelegenen Stromleitungen arbeitet. Wenn Sie planen, einen tragbaren Stromerzeuger während eines Stromausfalls zu betreiben, benachrichtigen Sie bitte sofort Ihr Energieversorgungsunternehmen und denken Sie daran, Ihre Geräte direkt an den Generator anzuschließen. Schließen Sie den Generator nicht an eine Steckdose in Ihrem Haus an. Auf diese Weise könnte eine Verbindung zum Energieversorger hergestellt werden. Sie sind dafür verantwortlich, dass der Strom Ihres Generators nicht in die Stromleitungen der Elektrizitätswerke zurückgespeist wird. Wenn der Generator an eine gebäudetechnische Anlage angeschlossen wird, wenden Sie sich an Ihr örtliches Versorgungsunternehmen oder einen qualifizierten Elektriker. Die Anschlüsse müssen die Generatorleistung von der Netzleistung trennen und alle geltenden Gesetze und Vorschriften einhalten.

## 12V DC Steckdose

Die 12V DC-Steckdose kann mit dem mitgelieferten Ladekabel und dem USB-Ladegerät und anderen handelsüblichen 12V DC Automotive-Steckern verwendet werden. Der DC-Ausgang ist unregelt und kann einige Produkte beschädigen. Vergewissern Sie sich, dass Ihr Zubehör-Eingangsspannungsbereich mindestens 12-24V DC beträgt. Wenn Sie die DC-Steckdose verwenden, stellen Sie den Economy-Modus-Schalter auf die Position "OFF".

### WARNUNG

Betreiben Sie ein Gerät nicht, während es an die 12V DC-Steckdose angeschlossen ist.

Längere Einwirkung von Motorabgasen kann zu schweren Verletzungen oder zum Tod führen.

### WARNUNG

Platzieren Sie ein Gerät während des Ladevorgangs nicht auf der Abgasseite des Generators. Extreme Hitze, die durch Abgase verursacht wird, kann das Gerät beschädigen und eine potenzielle Brandgefahr darstellen.

## Abstellen des Motors

1. Schalten Sie alle elektrischen Verbraucher aus und ziehen Sie den Netzstecker. Starten oder stoppen Sie den Generator niemals, wenn elektrische Geräte angeschlossen oder eingeschaltet sind.
2. Lassen Sie den Generator einige Minuten im Leerlauf laufen, um die Innentemperaturen von Motor und Generator zu stabilisieren.
3. Drehen Sie das Kraftstoffventil in die Position "OFF".
4. Lassen Sie den Motor laufen, bis der Kraftstoffmangel den Motor gestoppt hat. Dies dauert in der Regel einige Minuten.
5. Drehen Sie den Zündschalter in die Position "OFF".
6. Drehen Sie (wenn vorhanden) den Batterieschalter auf die Position "OFF".

**Wichtig:** Stellen Sie immer sicher, dass sich das Kraftstoffventil, der Zündschalter und der Batterieschalter in der Position "AUS" befinden, wenn der Motor nicht in Betrieb ist.

### HINWEIS

Wenn der Motor für einen Zeitraum von zwei (2) Wochen oder länger nicht benutzt wird, lesen Sie bitte im Abschnitt Lagerung nach, wie Sie den Motor und den Kraftstoff ordnungsgemäß lagern können.

### HINWEIS

Wenn der Generator über eine Batterie verfügt, drehen Sie den Batterieschalter immer auf die Position "AUS", wenn das Gerät nicht verwendet wird, da dies die Entleerung der Batterie verhindert. Befolgen Sie die Wartungs- und Lagerungsanweisungen für den Generator und die Batterie, wenn das Gerät für einen Zeitraum von 2 Wochen oder länger nicht benutzt wird.



## Generator nicht überlasten

### Kapazität

Befolgen Sie diese einfachen Schritte, um die für Ihre Zwecke erforderlichen Lauf- und Startwerte zu berechnen.

1. Wählen Sie die elektrischen Geräte aus, die Sie gleichzeitig betreiben möchten.
2. Addieren Sie die Laufleistung in Watt dieser Geräte. Diese Wattleistung wird benötigt um die Verbraucher am laufen zu halten.
3. Identifizieren Sie die höchste Anlaufleistung aller in Schritt 1 genannten Geräte. Fügen Sie diese Zahl zu der in Schritt 2 berechneten Summe hinzu. Die Spitzenleistung ist der zusätzliche Leistungsschub, der benötigt wird, um einige elektrisch betriebene Geräte zu starten. Wenn Sie die unter "Power Management" aufgeführten Schritte ausführen, wird sichergestellt, dass jeweils nur ein Gerät gestartet wird.

### Energie Management

Verwenden Sie die folgende Formel, um Spannung und Stromstärke in Watt umzuwandeln:

$$\text{Volt} \times \text{Ampere} = \text{Watt}$$

Um die Lebensdauer Ihres Generators und der angeschlossenen Geräte zu verlängern, führen Sie diese Schritte aus, um elektrische Verbraucher hinzuzufügen:

1. Starten Sie den Generator ohne angeschlossene elektrische Last.
2. Lassen Sie den Motor einige Minuten laufen, um sich zu stabilisieren.
3. Schließen Sie den Verbraucher mit der höchsten elektrischen Last zuerst an.
4. Lassen Sie den Motor stabilisieren.
5. Schließen Sie den nächsten Verbraucher an
6. Lassen Sie den Motor stabilisieren.
7. Wiederholen Sie die Schritte 5-6 für jede weiteren Verbraucher.

### HINWEIS

Überschreiten Sie niemals die angegebene Kapazität, wenn Sie dem Generator Lasten hinzufügen.

## Überlastbetrieb

Die Überlastanzeige leuchtet auf, wenn die Nennlast überschritten wird. Wenn die maximale Last erreicht ist, blinkt die LED und unterbricht die Stromversorgung zu den Steckdosen. Um die Leistung wiederherzustellen, schalten Sie den Motor ab, warten Sie, bis das Licht erlischt und starten Sie den Generator neu.

## Betrieb in großer Höhe

Beachten Sie, dass der Motorwirkungsgrad bei Arbeiten in großer Höhe reduziert werden kann und die Abgasemissionen steigen. Andere Probleme in großer Höhe können erschwertes Starten, erhöhter Kraftstoffverbrauch und Verschmutzung der Zündkerze sein. Dies ist ein natürlicher Trend und kann durch die Motoreinstellung nicht verändert werden.

### **WARNUNG**

Der Betrieb mit dem alternativen Vergaser in Höhenlagen, die unter der empfohlenen Mindesthöhe liegen, kann den Motor beschädigen. Für den Betrieb in niedrigeren Höhen muss der Standard Vergaser verwendet werden. Der Betrieb des Motors mit der falschen Motorkonfiguration in einer bestimmten Höhe kann seine Emissionen erhöhen und die Kraftstoffeffizienz und -leistung verringern.

DE

## Eine wichtige Nachricht über die Temperatur

Ihr Champion Power Equipment Produkt ist für den Dauerbetrieb bei Umgebungstemperaturen bis zu 40°C (104°F) entwickelt und ausgelegt. Wenn Ihr Produkt benötigt wird, kann Ihr Produkt für kurze Zeit bei Temperaturen von -15°C (5°F) bis 50°C (122°F) betrieben werden. Wenn das Produkt während der Lagerung Temperaturen außerhalb dieses Bereichs ausgesetzt ist, sollte es vor dem Betrieb wieder in diesen Bereich gebracht werden. In jedem Fall muss das Produkt immer im Freien, in einem gut belüfteten Bereich und fernab von Türen, Fenstern und anderen Lüftungsöffnungen betrieben werden.

# WARTUNG & LAGERUNG

Der Eigentümer/Betreiber ist für alle regelmäßigen Wartungsarbeiten verantwortlich.

## **WARNUNG**

Betreiben Sie niemals einen beschädigten oder defekten Generator.

## **WARNUNG**

Manipulationen am werkseitig eingestellten Regler führen zum Erlöschen der Garantie.

## **WARNUNG**

Unsachgemäße Wartung führt zum Erlöschen der Garantie.

## **HINWEIS**

Die Wartung, der Austausch oder die Reparatur von emissionsmindernden Vorrichtungen und Systemen darf nur von Fachleuten durchgeführt werden.

Führen Sie alle geplanten Wartungsarbeiten rechtzeitig durch. Beheben Sie alle Probleme, bevor Sie den Generator in Betrieb nehmen.

## **Motorwartung**

Um ein versehentliches Starten zu verhindern, entfernen und erden Sie das Zündkerzenkabel, bevor Sie eine Wartung durchführen.

## **Öl**

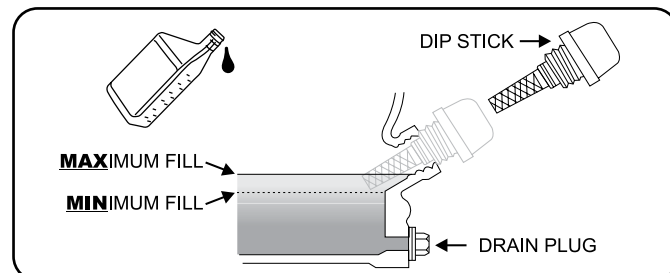
Wechseln Sie das Öl, wenn der Motor warm ist. Lesen Sie die Ölspezifikation, um die richtige Ölart für Ihre Betriebsumgebung auszuwählen.

1. Öleinfülldeckel/Messstab entfernen.
2. Schieben Sie mit einer Zange die Federklemme über den Ölablassschlauch und ziehen Sie den Schlauch von der Steckerhalterung.
3. Richten Sie den Schlauch in eine Auffangwanne und lassen Sie das Öl vollständig ablaufen. Hinweis: Das Schlauchende muss niedriger als der Motorfuß sein, damit das Öl abfließen kann.
4. Setzen Sie den Ölablassschlauch wieder auf die Steckerhalterung und schieben Sie die Federklammer wieder in Position.
5. Öl nachfüllen und Öleinfülldeckel/Messstab wieder einsetzen. NICHT ÜBERFÜLLEN.
6. Entsorgen Sie das Altöl in einer zugelassenen Entsorgungseinrichtung.

## **Öl Fortsetzung**

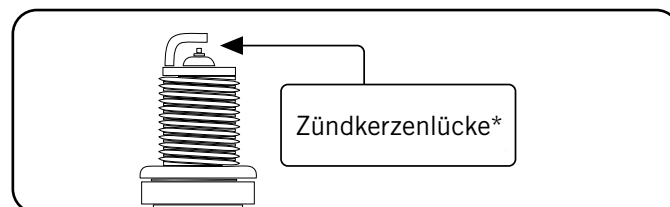
### **HINWEIS**

Seichtankkontrolle zeigen, dass das Öl ca. 1-2 Gewindegänge aus der Einfüllöffnung ausläuft. Wenn Sie den Ölmesstab zur Ölstandskontrolle verwenden, schrauben Sie den Ölmesstab während der Kontrolle NICHT ein.



## **Zündkerze**

1. Entfernen Sie das Zündkerzenkabel von der Zündkerze.
2. Verwenden Sie ein Zündkerzenschlüsselwerkzeug (nicht im Lieferumfang enthalten), um die Kerze zu entfernen.
3. Überprüfen Sie die Elektrode am Stecker. Er muss sauber und nicht abgenutzt sein, um den für die Zündung erforderlichen Funken zu erzeugen.
4. Beachten Sie beim Austausch der Kerze die Empfehlungsliste für Zündkerzen.
5. Die Zündkerze vorsichtig in den Motor einschrauben.
6. Verwenden Sie die Zündkerzenstecker (nicht im Lieferumfang enthalten), um die Kerze festzuziehen.
7. Befestigen Sie das Zündkerzenkabel an der Kerze.



## **73001i(EU), 73001i-P(EU)**

OEM-Zündkerze: F6RTC

Ersatz-Zündkerze: NGK BPR6ES oder gleichwertig  
Stellen Sie sicher, dass die Zündkerzenlücke 0,7 - 0,8 mm oder (0,028 - 0,031 in.) beträgt.

## **Wartung Ventilspielraum**

- Einlass 0.06 - 0.12 mm (0.002 - 0.005 in.)
- Auspuff: 0.08 - 0.14 mm (0.003 - 0.006 in.)

## 71001i(EU), 72301i(EU)

OEM-Zündkerze: NHSP E6RTC

Ersatz-Zündkerze: NGK BPR6HS oder gleichwertig  
Stellen Sie sicher, dass die Zündkerzenlücke 0.6 - 0.7 mm oder (0.024 - 0.028 in.) beträgt.

### Wartung Ventilspielraum

- Einlass 0.1 mm (0.004 in.)
- Auspuff: 0.1 mm (0.004 in.)

Hinweis: Das technische Merkblatt zum Verfahren der Ventileinstellung finden Sie unter [www.championpowerequipment.com](http://www.championpowerequipment.com)

### Laden der Batterie

Bei einem Generator, der mit Batterien für den elektrischen Start ausgestattet ist, ist die ordnungsgemäße Wartung und Lagerung der Batterie zu beachten. Zum Aufladen der Batterie sollte ein automatisches Ladegerät (im Lieferumfang enthalten) mit automatischer Ladefunktion verwendet werden. Die maximale Ladeleistung sollte 1,5 Ampere nicht überschreiten. Befolgen Sie die Anweisungen, die dem Batterieladegerät beiliegen. Die Batterie sollte mindestens einmal im Monat vollständig geladen werden.

### HINWEIS

Ein Batterieladeerhaltungsgerät hält den Batteriezustand über lange Lagerzeiten aufrecht.

### Batterie abklemmen

1. Entfernen Sie die Abdeckung des Batteriefachs.
2. Entfernen Sie die Schutzabdeckung vom schwarzen/negativen Batteriekabel.
3. Trennen Sie das schwarze/negative Kabel von der schwarzen/negativen Klemme der Batterie und bewahren Sie die Zylinderschraube und die Mutter auf.
4. Wiederholen Sie die Schritte 1-2 für das rot/positive Batteriekabel.
5. Bewahren Sie die Batterie an einem kühlen, trockenen Ort auf.

### Batterie der Fernbedienung

### HINWEIS

- Kaufen Sie immer die richtige Größe und Qualität der Batterie, die für den jeweiligen Einsatzzweck am besten geeignet ist.
- Reinigen Sie die Batteriekontakte und auch die des Gerätes vor der Batterieinstallation. – Entfernen Sie die Batterien aus dem Gerät, das über einen längeren Zeitraum nicht benutzt werden soll.
- Entfernen Sie die Batterien, wenn sie verbraucht sind oder wenn das Produkt längere Zeit unbenutzt bleiben soll.

### Wartung des Generators

Stellen Sie sicher, dass der Generator sauber gehalten und ordnungsgemäß gelagert wird. Betreiben Sie das Gerät nur auf einem flachen, ebenen Untergrund in einer sauberen, trockenen Betriebsumgebung. Setzen Sie das Gerät NICHT extremen Bedingungen, übermäßigem Staub, Schmutz, Feuchtigkeit oder korrosiven Dämpfen aus.

### VORSICHT

Verwenden Sie KEINEN Gartenschlauch zur Reinigung

Durch die Kühlschlitze kann Wasser in den Generator eindringen und die Generatorwicklungen beschädigen.

Verwenden Sie ein feuchtes Tuch, um die Außenflächen des Generators zu reinigen. Verwenden Sie eine weiche Borstenbürste, um Schmutz und Öl zu entfernen. Verwenden Sie einen Luftkompressor (25 PSI), um Schmutz und Ablagerungen aus dem Generator zu entfernen. Überprüfen Sie alle Lüftungsöffnungen und Kühlschlitze auf Sauberkeit und Unversehrtheit.

# WARTUNG & LAGERUNG

## Wartung des Generators (Fortsetzung)

### Lagerung

Der Generator sollte mindestens einmal alle 14 Tage gestartet und mindestens 20 Minuten laufen gelassen werden. Für eine längerfristige Lagerung beachten Sie bitte diese Richtlinien.

### Lagerung des Generators

1. Fügen Sie einen Kraftstoffstabilisator in den Tank.
2. Stellen Sie sicher, dass alle Geräte vom Generator getrennt sind.
3. Lassen Sie den Generator für einige Minuten laufen, damit der behandelte Kraftstoff durch das Kraftstoffsystem und den Vergaser fließt.
4. Drehen Sie das Kraftstoffventil in die Position "Aus".
5. Lassen Sie den Generator laufen, bis der Kraftstoffmangel den Motor gestoppt hat. Dies dauert in der Regel einige Minuten.
6. Der Generator muss vor der Reinigung und Lagerung vollständig abgekühlt sein.
7. Entfernen Sie den Zündkerzenstecker und ziehen Sie dann 3 mal am Rückstoßgriff, um das Benzin aus den Vergaserdüsen abzulassen.
8. Wechseln Sie das Motoröl.
9. Entfernen Sie die Zündkerze und gießen Sie etwa einen Esslöffel Öl in den Zylinder. Starten Sie den Motor langsam, um das Öl zu verteilen und den Zylinder zu schmieren.
10. Setzen Sie die Zündkerze wieder ein.
11. Lagern Sie das Gerät an einem sauberen, trockenen Ort und vor direkter Sonneneinstrahlung geschützt.

### GEFAHR

Das Abgas des Generators enthält geruchloses und farbloses Kohlenmonoxidgas.

Um ein versehentliches oder unbeabsichtigtes Zünden Ihres Fernstartgenerators während der Lagerung zu vermeiden, sollten die folgenden Vorsichtsmaßnahmen getroffen werden:

- Wenn Sie den Generator für kurze Zeit aufbewahren, stellen Sie sicher, dass der Zündschalter, das Kraftstoffventil und der Batterieschalter auf AUS stehen.
- Bei längerer Lagerung des Generators ist darauf zu achten, dass der Zündschalter, das Kraftstoffventil und der Batterieschalter auf AUS gestellt sind und die Batterieleitungen von der Batterie getrennt wurden.

### Wartungsplan

Befolgen Sie die in der folgenden Wartungsübersicht angegebenen Wartungsintervalle.

Warten Sie Ihren Generator häufiger, wenn Sie unter widrigen Bedingungen arbeiten.

Alle 8 Stunden oder täglich	
	Ölstand prüfen
	Reinigen Sie den Lufteinlass und den Schalldämpfer.
Erste 5 Stunden	
	Ölwechsel
Alle 50 Stunden oder zu jeder Jahreszeit	
	Luftfilter reinigen
	Ölwechsel, bei Betrieb unter hoher Last oder in heißer Umgebung
Alle 100 Stunden oder zu jeder Jahreszeit	
	Ölwechsel
	Zündkerze reinigen/einstellen
	Ventilspiel prüfen/einstellen*.
	Funkenschutz reinigen
	Kraftstofftank und Filter reinigen*.
Alle 250 Stunden	
	Brennkammer reinigen*
Alle 3 Jahre	
	Ersetzen Sie die Kraftstoffleitung und den LPG-Schlauch.

\*Ausführung durch sachkundige, erfahrene Eigentümer oder von Champion Power Equipment zertifizierte Händler.

Problem	Ursache	Lösung
Der Generator startet nicht.	Kein Kraftstoff	Kraftstoff hinzufügen
	Defekte Zündkerze	Zündkerze ersetzen
	Verbraucher beim Start angeschlossen	Verbraucher vom Gerät trennen
Der Generator startet nicht; Der Generator startet, läuft aber unrund.	Niedriger Ölstand	Kurbelgehäuse auf die richtige Höhe befüllen
		Stellen Sie den Generator auf einen flachen, ebenen Untergrund.
	Choke in der falschen Position	Choke korrekt einstellen
Der Generator startet nicht per Funkstart.	Zündkerzenkabel lose	Kabel an der Zündkerze befestigen
	Die Batterie der Fernbedienung ist leer.	Batterie der Fernbedienung ersetzen
Der Generator startet nicht elektrisch.	Generatorbatterie ist leer	Generatorbatterie aufladen
	Der Batterieschalter befindet sich in der Position "OFF"	Batterieschalter auf die Position "ON" stellen.
Der Generator schaltet sich während des Betriebs ab.	Generatorbatterie ist leer	Generatorbatterie aufladen
	Der Batterieschalter befindet sich in der Position "OFF"	Batterieschalter auf die Position "ON" stellen.
Der Generator kann nicht genügend Leistung liefern oder überhitzt.	Kein Kraftstoff mehr	Kraftstofftank füllen
	Niedriger Ölstand	Kurbelgehäuse bis zum richtigen Niveau befüllen. Stellen Sie den Generator auf einen flachen, ebenen Untergrund.
Keine AC-Leistung.	Generator ist überlastet	Überprüfen Sie die Last und passen Sie sie an. Siehe "Energiemanagement".
	Unzureichende Belüftung	Überprüfen Sie die Lufteinschränkung. Stellen Sie den Generator in einen gut belüfteten Bereich.
Keine AC-Leistung.	Kabel nicht richtig angeschlossen	Überprüfen Sie alle Verbindungen
	Angeschlossener Verbraucher ist defekt	Defekten Verbraucher ersetzen
	Der Leistungsschalter ist ausgeschaltet	Leistungsschalter zurücksetzen
	Lose Verkabelung	Überprüfen und festziehen der Kabelverbindungen
	Sonstiges	Kontaktieren Sie die Hotline
Wiederholtes Auslösen des Leistungsschalters.	Überlastung	Überprüfen Sie die Last und passen Sie sie an. Siehe "Energiemanagement".
	Fehlerhafte Kabel oder Verbraucher	Überprüfen Sie, ob die Drähte beschädigt, blank oder ausgefranst sind. Defekte Verbraucher ersetzen

# KONTROLLEN UND FUNKTIONEN

## Kabellose Fernbedienung

Dieser Generator ist mit einer drahtlosen Fernbedienung für das Starten und Stoppen ausgestattet. Das System besteht aus (4) Hauptkomponenten:

- Empfängersteuermodul (RCM)
- Kabellose Fernbedienung
- Batterieschalter (Taste)
- Zündschalter (Taste)

Sowohl der Zündschalter als auch der Batterieschalter müssen eingeschaltet sein, damit die Fernbedienungsfunktionen funktionieren. Um den Generator zu starten, drücken Sie einmal die Taste "Start". Der Motor versucht bis zu 6 Mal zu starten. Das RCM schaltet die Autodrossel ein. Wenn der Generator nicht startet, wenden Sie sich an Ihren örtlichen Händler. Um den Generator zu stoppen, drücken Sie einmal die Taste "stop".

### Fernbedienungsfunktion Stromversorgung

Wenn der Zündschalter (Taste) eingeschaltet bleibt, kann die Batterie vollständig entladen werden. Um einen Batteriewechsel zu vermeiden, drehen Sie sowohl den Zündschalter als auch den Batterieschalter in die Aus-Position.

### Power Panel Lastmanagement

Beim Start des Generators per Fernbedienung erfolgt eine Verzögerung von 15 Sekunden, bevor das Bedienfeld in Betrieb genommen wird. Wenn Sie den Generator mit der Fernbedienung stoppen, schaltet sich das Bedienfeld sofort ab, gefolgt vom Motor 5 Sekunden später. Die Verzögerung der Ein-/Ausschaltspannung beim An- und Abschalten tritt nur bei Verwendung der Fernbedienung auf. Bei Verwendung der elektrischen Starttaste oder des Rückstoßstartverfahrens muss der Bediener sicherstellen, dass alle elektrischen Verbraucher (Geräte) während des Start- und Stoppvorgangs ausgeschaltet sind. Andernfalls kann der Generator oder die angeschlossenen Geräte beschädigt werden.

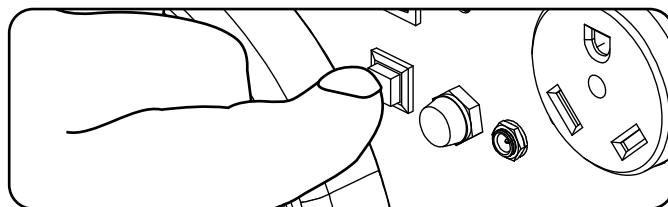
### HINWEIS

Das Wechseln einer Batterie der Fernbedienung erfordert nicht, dass der Benutzer die Fernbedienung zurücksetzt.

## Wireless Set Button

Die Wireless-Set-Taste ist eine Funktion, mit der der Benutzer die Fernbedienungen mit dem Generator synchronisieren kann. Man kann bis zu zwei Fernbedienungen einrichten oder eine Fernbedienung mit dem Generator zurücksetzen. Um eine Fernbedienung zurückzusetzen oder zu synchronisieren, führen Sie diese Schritte aus:

1. Drehen Sie den Zündschalter in die Position "ON".
2. Drehen Sie den Batterieschalter auf die Position "ON".
3. Halten Sie die Funktaste neben dem roten Licht (auf der Frontplatte) ca. drei Sekunden lang gedrückt; das rote Licht leuchtet auf.
4. Drücken und lassen Sie die Taste "STOP" auf der Fernbedienung los. Das rote Licht blinkt einmal, um das Remote-Programm zu löschen.
5. Drücken und lassen Sie die START-Taste los. Das rote Licht blinkt einmal, um die Fernbedienung zu programmieren.
6. Halten Sie die Programmier Taste etwa drei Sekunden lang gedrückt, bis das rote Licht erlischt.
7. Testen Sie die Start & Stop Funktionen.



### HINWEIS

Nur zwei Fernbedienungen können mit jeweils einem Generator synchronisiert werden.

## Parallelbetrieb

Zwei (2) gleiche Champion-Modelle können parallel betrieben werden, um die verfügbare elektrische Gesamtleistung zu erhöhen. Für den Parallelbetrieb ist ein Champion-Parallel-Kit (Sonderausstattung) erforderlich. Für die Verfügbarkeit des Kits wenden Sie sich bitte an den Kundendienst oder besuchen Sie [www.championpowerequipment.de](http://www.championpowerequipment.de).

Detaillierte Informationen für die Installation, den Betrieb und die Leistungsdaten der verbundenen Generatoren finden Sie in der Betriebsanleitung des Parallel-Kits.

Gjør deg selv kjent med følgende symboler. Sikkerhetssymbolet og nøkkelordene er sikkerhetsadvarsler. Følg alle sikkerhetsmeldinger for å unngå ulykker eller personskade.

## FARE

FARE indikerer en farlig situasjon som, hvis den ikke unngås, **vil** føre til død eller alvorlig personskade.

## ADVARSEL

ADVARSEL indikerer en farlig situasjon som, hvis den ikke unngås, **kan** føre til død eller alvorlig personskade.

## FORSIKTIG

FORSIKTIG indikerer en farlig situasjon som, hvis den ikke unngås, **kan** føre til en mindre eller moderat personskade.

## FORSIKTIG

FORSIKTIG brukt uten symbolet for sikkerhetsvarsel indikerer en potensielt farlig situasjon, som hvis den ikke unngås, **kan** føre til skade på eiendom.

## MERKNAD

Dersom du har spørsmål angående generatoren din, kan vi bistå. Kontakt din lokale forhandler.

# SAFETY RULES

## ADVARSEL

Les denne håndboken grundig før du tar i bruk generatoren din. Unnlater du å følge instruksjonene kan det føre til alvorlig personskade eller død.

## ADVARSEL

Motoravgassene fra dette produktet inneholder kjemikalier som er kjent for å forårsake alvorlige helseproblemer og død.

## FARE

Generatorens eksos inneholder karbonmonoksid, en fargeløs, luktfri og giftig gass. Innånding av karbonmonoksid vil føre til kvalme, svimmelhet, besvimelse eller død. Hvis du begynner å føle deg svimmel eller svak, kom deg til frisk luft umiddelbart.

Generatoren skal kun brukes utendørs, på et godt ventilert område.

IKKE bruk generatoren inne i eventuelle bygninger, inkludert garasjer, kjellere, krypkjellere og skur, lukkede rom eller liknende. Dette gjelder også generatorrommet i campingbiler.

IKKE la eksosgasser trenge inn i trange rom via vinduer, dører, ventilasjonsluker eller andre åpninger.

**FARE KARBONMONOKSID:** Å bruke en generator innendørs **KAN TA LIVET AV DEG I LØPET AV MINUTTER.**

## FARE

Roterende deler kan ta tak i hender, føtter, hår, klær og/eller tilbehør. Det kan føre til alvorlige sårskader eller amputasjon.

Hold hender og føtter vekk fra roterende deler. Sett opp langt hår og fjern smykker. Utstyret skal bare brukes med vern montert. IKKE ha på deg løstsittende plagg, hengende snorer eller ting som kan bli fanget.

## ADVARSEL

Dette produktet inneholder et knappebatteri. Ved svelging kan det forårsake personskade eller død i løpet av bare 2 timer. Oppsøk lege umiddelbart.

## FARE

Generatoren produserer kraftig spenning.

IKKE berør uisolerte ledninger eller kontakter. IKKE bruk elektriske ledninger som er slitt, skadet eller frynsete.

IKKE bruk generatoren i fuktig vær.

IKKE la barn eller ukvalifisert personell betjene eller vedlikeholde generatoren

Bruk en jordfeilbryter (GFCI) i fuktige områder og områder som inneholder ledende materiale, slik som metalldekke.

Bruk godkjent overføringsutstyr til å isolere generatoren fra strømmettet, og gi beskjed til nettselskapet ditt før du kobler generatoren til strømsystemet ditt.

## ADVARSEL

Gnister kan forårsake brann eller elektrisk støt.

### Ved service på generatoren:

Koble fra tennpluggkabelen og plasser den et sted der den ikke kan komme i kontakt med pluggen. IKKE se etter gnist med tennpluggen tatt av. Bruk bare godkjente tennpluggtestere.

## ADVARSEL

Motorer som går produserer varme. Alvorlige brannskader kan oppstå ved kontakt. Brennbare materialer kan ta fyr ved kontakt.

IKKE berør varme overflater.

Unngå kontakt med varme avgasser.

La utstyret avkjøles før berøring.

Sørg for å holde minst 1 meters klaring på alle sider for å sikre tilstrekkelig kjøling.

Sørg for å holde minst 1,5 meters avstand til brennbare materialer.

## ADVARSEL

Medisinsk bruk.

Ved nødstilfelle, ring nødetatene umiddelbart.

ALDRI bruk dette produktet til å forsyne livreddende utstyr eller redningsapparater med strøm.

ALDRI bruk dette produktet til å forsyne medisinsk utstyr med strøm.

Informér strømleverandøren din umiddelbart hvis du eller andre i husholdningen din er avhengig av elektrisk utstyr for å holde seg i live.

Informér strømleverandøren din umiddelbart dersom tap av strøm fører til at du eller andre i husholdningen din kan få et medisinsk nødstilfelle.



**FARE**

Drivstoff og dampene fra dette er svært lettantennelig og ekstremt eksplosivt. Utsiktet oppstart kan føre til alvorlig personskade.

**Ved påfylling eller fjerning av drivstoff:**

Slå av generatoren og la den avkjøle seg i minst to minutter før bensinlokket fjernes. Løsne lokket sakte for å slippe ut trykket i tanken.

Det skal bare fylles eller tappes bensin på steder som er godt ventilert.

IKKE fyll bensin direkte på generatoren fra bensinstasjonen. Bruk en godkjent beholder til å fylle drivstoff på generatoren.

IKKE fyll for mye på bensintanken.

Drivstoff skal alltid holdes vekk fra gnister, åpne flammer, gassbrennere, varme og andre antennelseskilder.

IKKE tenn opp eller røyk sigaretter.

**Ved oppstart av generatoren:**

IKKE forsøk å starte en skadet generator.

Påse at bensinlokket, luftfilteret, tennpluggen, drivstoffslangene og eksossystemet er på plass. Sørg for at bensinsøl får tid til å fordampe fullstendig før motoren blir forsøkt startet.

Forsikre deg om at generatoren står på et jevnt underlag.

**Ved bruk av generatoren:**

IKKE beveg eller velt generatoren under drift.

IKKE velt generatoren eller søl bensin eller olje.

**Ved transport eller service på generatoren:**

Sørg for at drivstoffventilen står i AV-posisjon og at bensintanken er tom.

Koble fra tennpluggkabelen.

**Ved oppbevaring av generatoren:**

Oppbevares vekk fra gnister, åpne flammer, gassbrennere, varme og andre antennelseskilder.

**ADVARSEL**

Drift av dette utstyret kan skape gnister som kan starte brann i tørr vegetasjon.

En gnistfanger kan være påkrevd. Brukeren bør kontakte det lokale brannvesenet for opplysninger om lover eller forskrifter relatert til brannvernstiltak.

**ADVARSEL**

Rask tilbaketrekking av startsnoren trekker hånd og arm mot motoren raskere enn du klarer å slippe. Dette kan føre til alvorlig personskade.

Ved start av motoren, dra startsnoren sakte til motstand dannes, trekk deretter raskt for å unngå tilbakeslag.

IKKE start eller stopp motoren med elektriske apparater tilkoblet.

**FORSIKTIG**

Overskridelse av generatorens driftskapasitet kan skade generatoren og/eller eventuelle elektriske apparater som er koblet til den.

IKKE overbelast generatoren.

Start generatoren og la motoren stabilisere seg før tilkobling av elektrisk belastning.

Koble til elektrisk utstyr i avslått posisjon, slå det deretter på for å bruke det.

Slå elektrisk utstyr av før generatoren stoppes.

IKKE tukle med den innstilte hastigheten.

IKKE modifier generatoren på noen som helst måte.

**FORSIKTIG**

Feil behandling eller bruk av generatoren kan skade den, redusere levetiden eller gjøre at garantien blir ugyldig.

Generatoren skal bare brukes til tiltenkt bruk.

Den skal bare brukes på jevne overflater.

IKKE utsett generatoren for overdrevne mengder fukt, støv eller smuss.

IKKE la noe blokkere kjølespaltene.

Hvis tilkoblede apparater overopphetes, slå dem av og koble dem fra generatoren.

IKKE bruk generatoren hvis:

- Elektrisk utgangsspenning forsvinner
- Utstyret gnistrer, begynner å ryke eller avgir flammer
- Utstyret vibrerer overdrevent

Generatoren din krever noe montering. Enheten leveres fra fabrikken vår uten olje. Den må ha drivstoff og olje før den tas i bruk.

Dersom du har noen spørsmål om montering av generatoren din, ring den lokale forhandleren din. Sørg for å ha serienummeret og modellnummeret tilgjengelig.

## Fjern generatoren fra esken den ble levert i.

1. Plasser esken på en solid, flatt underlag.
2. Fjern alt fra esken unntatt generatoren.
3. Ved hjelp av bærehåndtakene på enheten, tas generatoren ut av esken. (to personer som løfter er anbefalt)

## Tilkobling av batteriet (modeller med elektrisk start)

1. Bruk en skrutrekker til å fjerne de to (2) skruene fra vedlikeholdsdekselet til batteriet.
2. Når skruene er fjernet, kan man dra i gummisnoren på dekselet for å hjelpe til med å løsne og fjerne vedlikeholdsdekselet. (A)
3. Fjern vedlikeholdsdekselet til batteriet. (A)
4. Skjær av stripsen som holder batterikablene sammen.
5. Bruk en skrutrekker til å skru av batteribolten i den røde, positive (+) batteriterminalen.
6. Koble den røde, positive (+) ledningen til den positive (+) terminalen på batteriet ved hjelp av bolten.
7. Dra gummihylsen over batterikabeltilkoblingen og batteriterminalen.
8. Gjenta trinn 5-7 for den sorte, negative (-) batteriledningen og den sorte, negative (-) batteriterminalen.

## Koble til batteriet (fortsatt)

### **MERKNAD**

Hvis batterikablene ikke er synlige når batteriets vedlikeholdsdeksel er fjernet, må du være oppmerksom på at kablene kan ligge over batteriet, ute av syne.

## Fyll på motorolje

**! FORSIKTIG**

IKKE prøv å sveive eller starte motoren før den er korrekt fylt opp med anbefalt type og mengde olje. Skade på generatoren som følge av unnlattelse i å følge disse instruksjonene ugyldiggjør garantien din.

**! MERKNAD**

Anbefalt oljetype er bilolje av typen 10W-30.

1. Plasser generatoren på et flatt, jevnt underlag.
2. Løsne skruene til dekselet og fjern vedlikeholdsdekselet.

**! MERKNAD**

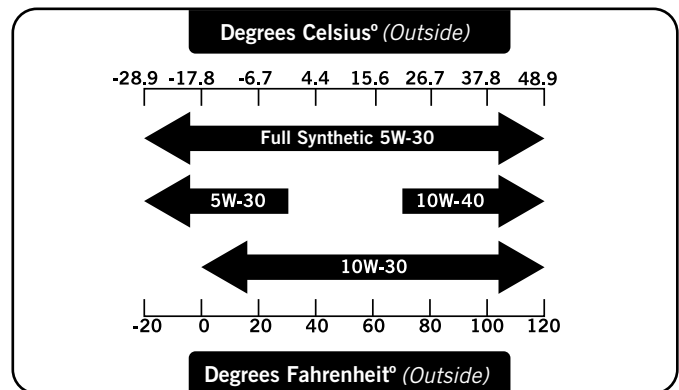
Når olje er fylt på, skal det gjøres en visuell sjekk. Den skal vise olje omtrent 1-2 gjenger ned i påfyllingshullet. Hvis det benyttes en peilepinne til å kontrollere oljenivået, IKKE skru inn peilepinnen når du sjekker.

**! MERKNAD**

Kontroller oljen ofte i innkjøringsperioden. Se i avsnittet for vedlikehold for anbefalte serviceintervaller.

3. Fjern oljepåfyllingslokket/peilepinnen for å fylle på olje.
4. Fyll på olje og sett på oljepåfyllingslokket/peilepinnen igjen. IKKE FYLL FOR MYE.
5. Kontroller motorens oljenivå daglig og etterfyll ved behov.

## Fyll på motorolje (fortsett)

**! FORSIKTIG**

Motoren er utstyrt med oljevakt for lavt oljenivå, og slår seg av når oljenivået i veivhuset synker under terskelnivået.

**! MERKNAD**

Generatorens rotor har et forseglet, forhåndssmørt kulelager som ikke trenger mer smøring i hele lagerets levetid.

**! MERKNAD**

Vi anser de første 5 driftstimene som innkjøringsstiden for enheten. I innkjøringsperioden skal kraftuttaket ligge på eller under 50 %. Varier belastningen innimellom for at statorviklingene får varmet og avkjølt seg. Justering av belastningen gjør også at motorhastigheten varierer og bidrar til at stempelringene setter seg. Etter at innkjøringsstiden på 5 timer er over, bytt oljen.

**! MERKNAD**

Syntetisk olje kan brukes etter den første innkjøringsstiden på 5 timer. Bruk av syntetisk olje øker ikke den anbefalte intervalltiden for oljeskift.

**! MERKNAD**

Værforholdene påvirker motoroljen og motorens ytelse. Bytt motoroljetype avhengig av værforhold, slik at motorens behov ivaretas.

## Drivstoffpåfylling

1. Bruk ren, fersk vanlig blyfri bensin med et oktantal på minimum 85 og et etanolinnhold som er mindre enn 10 %, målt etter volum.
2. IKKE bland olje med drivstoff.
3. Rengjør området rundt påfyllingslokket.
4. Fjern påfyllingslokket.
5. Fyll drivstoff sakte på tanken. IKKE FYLL FOR MYE. Drivstoff kan ekspandere etter påfylling. Minimum  $\frac{1}{4}$  tomme (6,4 mm) med ledig plass i tanken kreves for at bensinen skal kunne utvide seg, det anbefales imidlertid mer enn  $\frac{1}{4}$  tomme (6,4 mm). Drivstoff kan tvinges ut av tanken som en konsekvens at det fylles for mye. Dette kan påvirke produktets stabile driftsvilkår. Ved fylling av tanken anbefales det å la det være nok plass til at bensinen kan utvide seg.
6. Skru på drivstoffpåfyllingslokket og tørk av eventuelt drivstofføl.

### FORSIKTIG

Bruk vanlig blyfri bensin med et oktantal på minimum 85.

Ikke bland olje og bensin.

Fyll tanken til omtrent  $\frac{1}{4}$  tomme (6,4 mm) under toppnivå i tanken. Dette gjør at bensinen kan utvide seg.

IKKE fyll bensin direkte på generatoren fra bensinstasjonen. Bruk en godkjent beholder til å fylle drivstoff på generatoren.

IKKE fyll drivstofftanken innendørs.

IKKE fyll drivstofftanken mens motoren går eller er varm.

IKKE fyll for mye på bensintanken.

IKKE tenn opp sigaretter eller røyk ved fylling av drivstofftanken.

### ADVARSEL

Helling av drivstoff for raskt gjennom bensinsilen kan føre til tilbakeslag av drivstoff i retning av brukeren.

## Påfylling av drivstoff (fortsett)

### MERKNAD

Motorene våre fungerer godt med drivstoff som er blandet med 10 % eller mindre etanol. Ved bruk av drivstoff blandet med etanol er det noen ting man må huske på:

- Bensin blandet med etanol kan absorbere mer vann enn ren bensin.
- Disse blandingene kan til syvende og sist skille seg og etterlate vann eller en vannaktig guffe i tanken, bensinventilen og forgasseren.
- Med falltilførsel kan det ødelagte drivstoffet trekkes inn i forgasseren og forårsake skade på motoren og/eller føre til potensielle farer.
- Det er bare noen få leverandører som produserer drivstoffstabilisatorer som er laget for å fungere sammen med bensin-etanolblandinger.
- Eventuelle skader eller farer som oppstår ved bruk av feil drivstoff, drivstoff som er lagret feil, og/eller feilproduserte stabilisatorer dekkes ikke av produsentens garanti.

Det er tilrådelig å alltid slå av drivstofftilførselen, kjøre motoren til den stopper og tømme tanken når utstyret ikke skal brukes på mer enn 30 dager.

## Jording

Generatoren din må kobles til en jording for å hindre elektrisk støt.

### ADVARSEL

Å unnlate å jorde generatoren skikkelig kan føre til elektrisk støt.

Et jordingspunkt koblet til generatorens ramme er montert på strømpanelet. For fjernjording kobles det til en grov kobberkabel (12 AWG minimum) mellom jordingspunktet på generatoren og et kobberspyd som er stukket i jorden. Vi anbefaler på det sterkeste at du kontakter en kvalifisert elektriker for å sikre samsvar med lokale elektriske forskrifter.

## Generatorens plassering

Bruk aldri generatoren inne i bygninger! (Se avsnittet med sikkerhetsadvarsler). I noen områder må generatorer være registrert hos det lokale strømselskapet. Generatorer som brukes på byggeplasser kan være underlagt lokale regler og forskrifter. La den stå på et flatt, jevnt underlag. Generatorer skal ha minst 5 fot (1,5 meters) klaring til alle brennbare materialer. I tillegg må de ha minst 3 fot (91,4 cm) klaring på alle sider for tilstrekkelig kjøling, vedlikehold og service. Generatorer skal aldri startes eller brukes på steder der det ikke er tilstrekkelig kjøling for generatoren og/eller eksosanlegget.. La generatorer avkjøle seg før lagring og transport. Ikke plasser generatoren i nærheten av ventilasjonsluker eller inntak. Ta hensyn til vind og luftstrømmer ved plassering av generatoren.

**Unnlatelse i å følge sikkerhetsforskriftene kan ugyldiggjøre produsentens garanti.**

### ADVARSEL

Ikke bruk eller oppbevar generatoren i regn, snø, eller fuktig vær.

Bruk av en generator eller et elektrisk apparat i fuktige forhold, slik som regn eller snø, i nærheten av et basseng eller et sprinklersystem, eller der hendene dine er våte, kan føre til elektrisk støt.

### ADVARSEL

Under drift blir eksosanlegget og avgassene som produseres varme. Hvis ikke kjøling og lufting er tilstrekkelig, eller hvis generatoren blir blokkert eller stengt inne, kan temperaturen bli ekstremt opphetet, noe som kan føre til brann

## Jording

Generatorsystemets jording kobler rammen til jordingskontaktene på strømpanelet..

- Generatoren (statorviklingene) er isolert fra generatorrammen og fra jordingen i AC-kontakten.
- Elektriske apparater som krever en jording vil ikke fungere hvis ikke jordingskoblingen fungerer, med mindre en nøytral ledning er festet til rammen.

## Fjernstyrt start (tilleggsutstyr)

Fjernstyrt start er kun mulig **innenfor en radius av 25 meter** fra generatoren. (Det trådløse signalet kan ha problemer med å trenge gjennom enkelte faste objekter) Ikke forsøk å justere choken på forgasseren. Fjernkontrollen og det elektriske systemet åpner og lukker choken automatisk.

1. Sørg for at generatoren står på et flatt, jevnt underlag.
2. Slå av alle elektriske belastninger som er koblet til generatoren. Aldri start eller stopp generatoren med elektriske apparater slått på.
3. Vri drivstoffventilen til "PÅ"-posisjon.
4. Trykk batteribryteren til "PÅ".
5. Trykk tenningsbryteren til "PÅ".
6. TRÅDLØS FJERNSTART: Trykk og slipp "START"-knappen på den håndholdte fjernkontrollen. IKKE hold knappen nede, bare trykk knappen inn en gang. Motoren forsøker å starte seks ganger.
7. Dersom generatoren ikke starter, sjekk batteritilstanden og kabeltilkoblingene.

### MERKNAD

Det medfølgende 12V 7AH-batteriet lader seg opp mens motoren går, men det anbefales også at batteriet lades helt opp minst en gang i måneden.

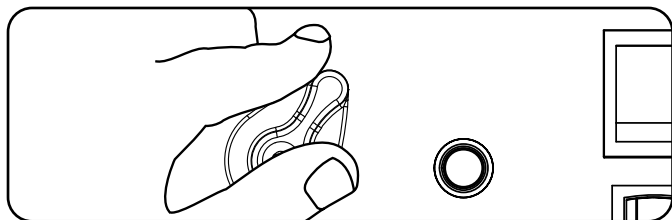
### MERKNAD

Når batteribryteren er i "PÅ"-stilling, lyser bryteren hvis batteriet sender ut spenning. Hvis lyset ikke lyser mens bryteren står i "PÅ"-stilling, kontroller batteritilstanden.

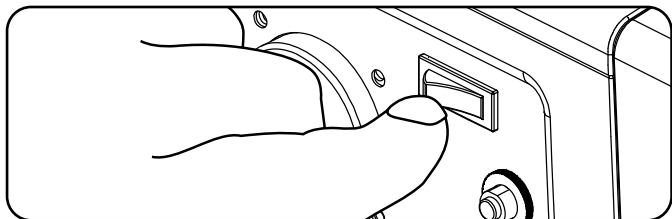
# OPERATION

## Elektrisk (ekstrautstyr) og Snorstart

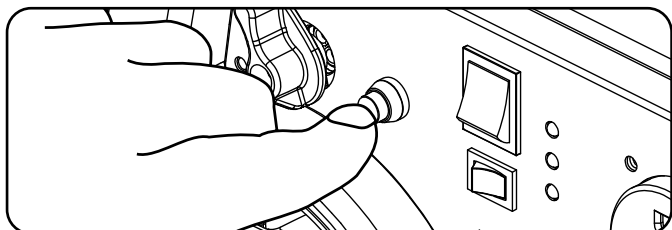
1. Sørg for at generatoren står på et flatt, jevnt underlag.
2. Koble alle elektriske belastninger fra generatoren. Aldri start eller stopp generatoren med elektriske apparater tilkoblet eller slått på.



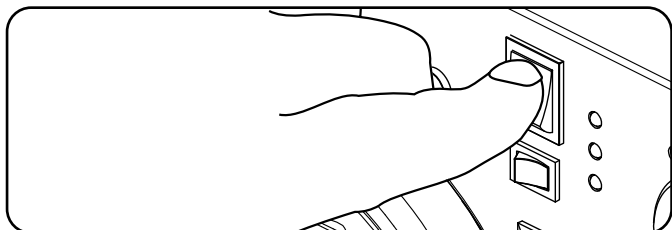
3. Vri drivstoffventilen til "PÅ"-posisjon.



4. Vri batteribryteren til "PÅ"-posisjon.



5. Dra choken til "CHOKE"-stilling.



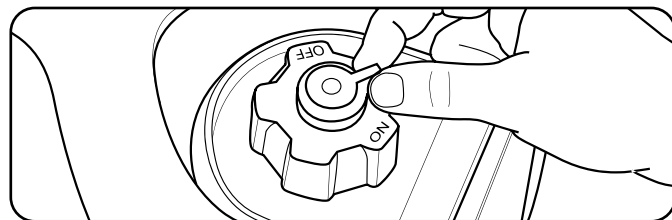
6. Drei tenningsbryteren til "PÅ"-posisjon.
7. ELEKTRISK START: Trykk og hold inne tenningsbryteren i "START"-posisjon. Slipp når motoren starter. Hvis motoren ikke starter innen fem sekunder, slipp bryteren og vent minst ti sekunder før du prøver å starte motoren igjen.
8. SNORSTART: Dra startsnoren sakte til motstand dannes, trekk deretter raskt.
9. Når motoren blir varmere, skyv choken til "Run"-posisjon

### MERKNAD

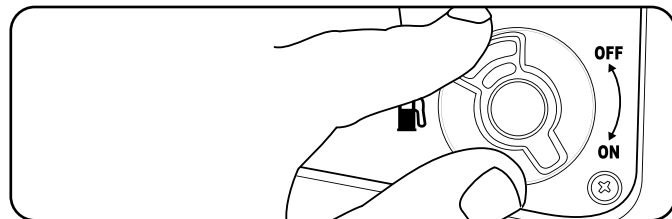
Ikke ha chokeknappen i "CHOKE"-posisjon mer enn ett trekk i startsnoren. Etter det første draget, flytt chokeknappen til "Run"-posisjon de neste 3 dragene i snorstarten. For mye choke fører til at pluggen jukser/motoren drukner på grunn av mangel på luft. Dette gjør at motoren ikke vil starte.

## Snorstart - Alternativ modell

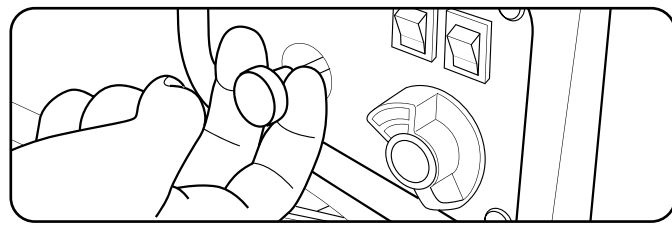
1. Sørg for at generatoren står på et flatt, jevnt underlag.
2. Koble alle elektriske belastninger fra generatoren. Aldri start eller stopp generatoren med elektriske apparater tilkoblet eller slått på.



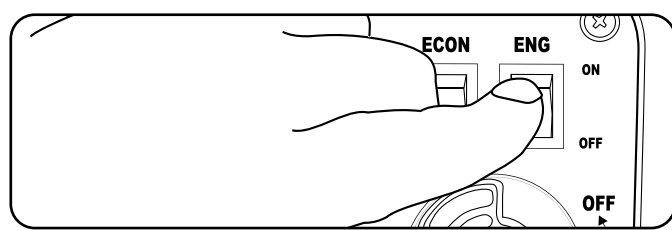
3. Drei spaken for drivsoffluffing til posisjonen "PÅ".



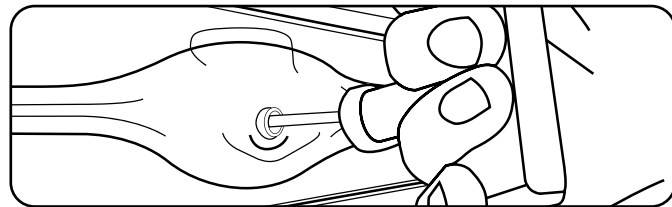
4. Vri drivstoffventilen til "PÅ"-posisjon.



5. Dra chokehendelen ut når generatoren startes opp.



6. Drei tenningsbryteren til "PÅ"-posisjon.
7. Dra startsnoren sakte til motstand dannes, trekk deretter raskt.



8. Når motoren blir varmere, skyv choken til "Run"-posisjon

### MERKNAD

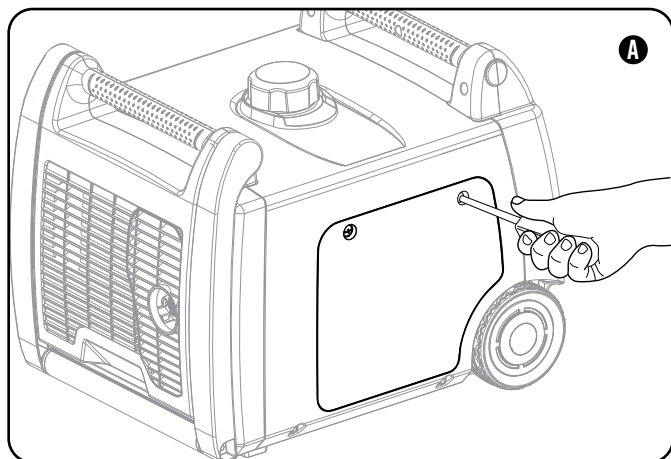
Hvis motoren starter, men ikke fortsetter å gå, sørg for at generatoren står på et flatt, jevnt underlag. Motoren er utstyrt med en sensor for lavt oljenivå. Denne hindrer motoren fra å starte hvis oljenivået faller under en kritisk terskelgrense.

## Manuell start med choke

Kun for 73001i-P.

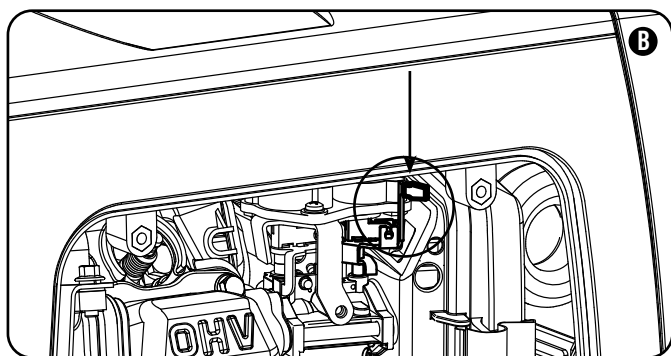
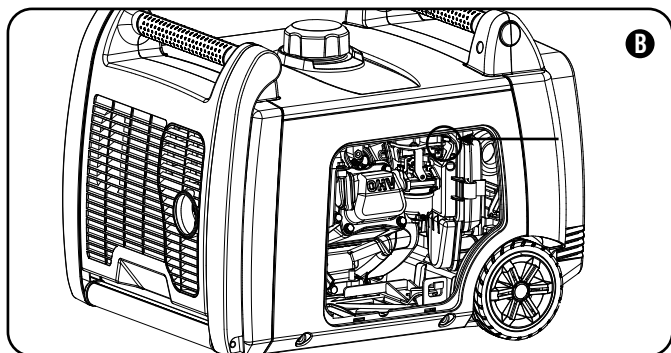
Hvis batteriet er tomt eller ikke er i stand til å produsere nok strøm til å drive choken, kan choken betjenes manuelt for å hjelpe til med å starte motoren. For manuell choke og start av inverteren, følg disse trinnene:

1. Løsne skruene og fjern vedlikeholdsdekelet. (A)
2. Finn det gule håndtaket til den manuelle choken.



(B)

3. Drei chokehendelen til "CHOKE"-stillingen (til høyre). (B)



4. Vri drivstoffventilen til "PÅ"-posisjon.
5. Vri motorbryteren til "PÅ"-posisjon.
6. Dra i snorstarten til du føler motstand, deretter trekker du raskt.
7. Når motoren begynner å dra rundt, flyttes chokehendelen til "RUN"-posisjonen (til venstre).

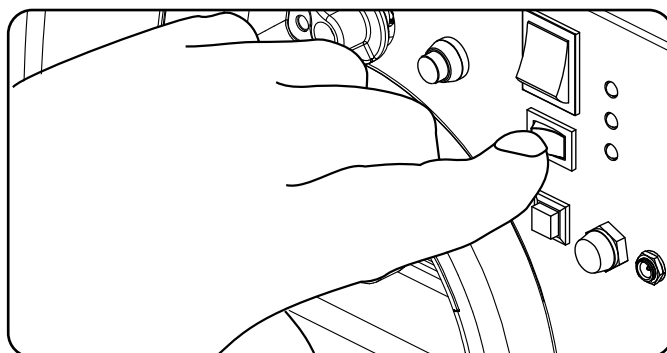
## Manuell start med choke (fortsett)

### MERKNAD

Ikke ha chokehendelen i "CHOKE"-posisjon (til høyre) mer enn ett trekk i startsnoren. Etter det første draget, flytt chokehendelen til "Run"-posisjon (til venstre) de neste 3 dragene i snorstarten. For mye choke fører til at pluggen jukser/motoren drukner på grunn av mangel på luft. Dette gjør at motoren ikke vil starte.

### Bryter for økonomistyring

Aktivisering av bryteren for økonomistyring minimerer drivstofforbruk og støy når generatoren ikke går på full belastning. Når økonomibryteren slås av, går generatoren på normal hastighet hele tiden.



### ⚠ ADVARSEL

I perioder med høy elektrisk belastning eller midlertidige svingninger, bør økonomistyring være avslått.

NO

## Tilkobling av elektriske belastninger

1. La motoren stabilisere seg og varmes opp et par minutter etter oppstart.
2. Koble til og slå på ønsket elektrisk belastning på 120/240 AC i enkeltfase på 50 Hz.
  - IKKE koble 3-fasede belastninger til generatoren.
  - IKKE koble belastninger på 60 hertz til generatoren.
  - IKKE overbelast generatoren.

### MERKNAD

Tilkobling av en generator til kraftselskapets nett eller til en annen strømkilde kan stride mot lovverket. I tillegg kan denne handlingen, hvis den utføres på feil måte, skade generatoren din og apparatene dine, og forårsake alvorlig skade og død for deg eller en ansatt i strømselskapet som jobber på kraftlinjer i nærheten. Hvis du har planer om å bruke en elektrisk generator ved et strømbrydd, gi beskjed til strømselskapet ditt umiddelbart og husk å koble apparatene dine rett inn i generatoren. Ikke koble generatoren til eventuelle stikkontakter i hjemmet ditt. Dette kan føre til at du kobler deg til strømselskapets kraftlinjer. Du er ansvarlig for å påse at elektrisiteten som generatoren din produserer ikke mates tilbake i strømmettet. Dersom generatoren skal kobles til det elektriske anlegget i en bygning, kontakt det lokale strømselskapet eller en kvalifisert elektriker. Koblingene må isolere generatorstrømmen fra strømmettet og må overholde alle gjeldende lover og forordninger.

## 12V DC-uttak

12V DC-uttaket kan brukes med den medfølgende ladekabelen og USB-laderen, samt andre kommersielt tilgjengelige 12V DC-plugger for biluttak. DC-utgangen i er ikke regulert og kan skade enkelte produkter. Bekreft at inngangsspenningen på tilbehøret ditt er minst 12-24V DC. Ved bruk av DC-uttaket, slå økonomibryteren til "AV"-posisjon.

### ADVARSEL

Ikke bruk en enhet mens den er koblet til 12V DC-uttaket.

Langvarig eksponering for motorens eksos kan forårsake alvorlig personskade eller død.

### ADVARSEL

Ved lading av en enhet, ikke plasser den på eksosiden av generatoren. Ekstrem varme fra eksosen kan skade enheten og være en mulig brannfare.

## Stoppe motoren

1. Slå av og koble fra alle elektriske belastninger. Aldri start eller stopp generatoren med elektriske apparater tilkoblet eller slått på.
2. La generatoren gå uten belastning i noen minutter for å stabilisere den innvendige temperaturen på motoren og generatoren.
3. Vri drivstoffventilen til "AV"-posisjon.
4. La motoren gå til den stopper på grunn av drivstoffmangel. Dette tar som regel et par minutter.
5. Drei tenningsbryteren til "AV"-posisjon.
6. Vri batteribryteren til "AV"-posisjon der dette er aktuelt.

**Viktig:** Påse alltid at drivstoffventilen, tenningsbryteren og batteribryteren er i "AV"-posisjon når motoren ikke er i bruk.

### MERKNAD

Hvis generatoren ikke skal brukes i mer enn to (2) uker eller mer, se avsnittet for lagring for riktig lagring av motor og drivstoff.

### MERKNAD

Hvis generatoren er utstyrt med batteri, sett alltid batteribryteren i "AV"-posisjon når enheten ikke er i bruk. Dette hindrer at batteriet tappes. Følg vedlikeholds- og lagringsinstruksene for generatoren og batteriet når enheten ikke skal brukes på 2 uker eller mer.



## Ikke overbelast generatoren

### Kapasitet

Følg disse enkle trinnene for å beregne drifts- og oppstartswatt til dine behov:

1. Velg de elektriske apparatene du skal bruke samtidig.
2. Slå sammen wattstyrken på disse. Dette er den mengden strøm du trenger for å holde enhetene dine i gang.
3. Kartlegg høyeste oppstartswatt fra alle enheter i trinn 1. Legg dette tallet til antallet beregnet i trinn 2. Oppstartswatt er den ekstra kraften som trengs akkurat i det øyeblikket enkelte elektriske apparater starter opp. Ved å følge trinnene som er listet opp under "Strømstyring" garanteres det at bare en enhet starter av gangen.

### Strømstyring

Bruk følgende formel til å konvertere volt og ampere til watt:

$$\text{Volt} \times \text{ampere} = \text{Watt}$$

For å forlenge levetiden til generatoren din og de tilkoblede enhetene, følg disse trinnene for å legge til elektrisk belastning:

1. Start generatoren uten noen elektriske belastninger tilkoblet
2. La motoren gå i noen minutter slik at den får stabilisert seg.
3. Koble til og slå på det første apparatet. Det er best å koble til det apparatet som har den største belastningen først.
4. La motoren stabilisere seg.
5. Koble til og slå på det neste apparatet.
6. La motoren stabilisere seg.
7. Gjenta trinnene 5-6 for hvert ekstra apparat.

### MERKNAD

Aldri overskrid den spesifiserte kapasiteten når generatoren belastes.

### Overbelastning

Lyset for overbelastning slås på når angitt maksimal belastning overskrides. Når maksimal belastning nås, blinker LED-lampen og kutter strømmen til kontaktene. For å slå på strømmen igjen, slå av motoren, vent til lyset slår seg av og start generatoren på nytt.

## Drift i stor høyde

Vær oppmerksom på at motorytelsen kan reduseres og avgassutslippet kan øke ved arbeid i stor høyde. Andre problemer som kan oppstå i stor høyde er startvansker, økt bensinforbruk og svikt i tennpluggen. Dette er naturlig og kan ikke endres på ved å justere på motoren.

### ⚠ ADVARSEL

Drift med bruk av alternativ hoveddyse i høyder som er lavere enn anbefalt minimumshøyde kan skade motoren. For drift ved lavere høyder, skal standard hoveddyse brukes. Hvis du bruker motoren med feil motorkonfigurasjon i en gitt høyde, kan det øke utslippene og redusere drivstoffeffektiviteten og ytelsen.

# VEDLIKEHOLD OG LAGRING

Eieren/brukeren er ansvarlig for alt periodisk vedlikehold. Utfør alt planlagt vedlikehold på riktig måte. Korriger eventuelle feil før generatoren tas i bruk.

## ⚠ ADVARSEL

Aldri bruk en skadet eller defekt generator.

## ⚠ ADVARSEL

Tukling med den fabrikkinnstilte styringen for blanding av luft og drivstoff ugyldiggjør garantien din.

## ⚠ ADVARSEL

Feil vedlikehold gjør garantien din ugyldig.

## 🗨 MERKNAD

Vedlikehold, utskiftning eller reparasjon av styringsenheter for avgassutslipp og systemer kan utføres av alle motorverksteder eller individer som ikke driver med kjøretøy.

## Motorvedlikehold

For å forhindre utilsiktet start, fjern og koble tennpluggen til jord før eventuell service utføres.

### Olje

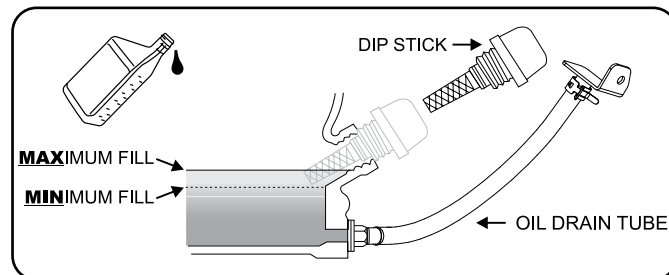
Bytt olje når motoren er varm. Se på oljespesifikasjonen for å velge riktig oljeviskositet til akkurat ditt driftsmiljø.

1. Fjern oljepåfyllingslokket/peilepinnen.
2. Bruk en tang til å skyve fjærklemmen ned oljetappeslangen og dra slangen av pluggbraketten.
3. Pek slangen i et tappekar og la oljen renne ut.  
**Merknad:** Slangeenden må ligge lavere enn undersiden av motoren for at oljen skal renne ut.
4. Sett oljetappeslangen tilbake på pluggbraketten og skyv fjærklemmen tilbake i posisjon.
5. Fyll på olje og sett på oljepåfyllingslokket/peilepinnen igjen. IKKE FYLL FOR MYE.
6. Avhend brukt olje på et godkjent oppsamlingssted.

### Olje (fortsett)

## 🗨 MERKNAD

Når olje er fylt på, skal det gjøres en visuell sjekk. Den skal vise olje omtrent 1-2 gjenger ned i påfyllingshullet.  
Hvis det benyttes en peilepinne til å kontrollere oljenivået, IKKE skru inn peilepinnen når du sjekker.



### Tennplugger

1. Fjern pluggledningen fra tennpluggen.
2. Bruk en tennpluggnøkkel (ikke inkludert) til å fjerne pluggen med.
3. Undersøk elektrodene på pluggen. Den skal være ren og ikke slitt for å lage gnisten som kreves for tenning.
4. Se i oversikten over anbefalte tennplugger ved utskiftning av pluggen.
5. Skru pluggen forsiktig inn i motoren.
6. Bruk pluggnøkkelen (medfølger ikke) til å stramme pluggen med.
7. Fest pluggledningen på tennpluggen.

## Lading av batteriet

For en generator utstyrt med batterier for elektrisk start, bør prosedyrer for riktig batterivedlikehold og lagring følges. En automatisk batterilader (ikke inkludert) med automatisk lading bør brukes til å lade batteriet. Maksimal lading bør ikke overskride 1,5 ampere. Følg instruksjonene som følger med batteriladeren. Batteriet skal lades helt opp minst en gang i måneden.

### MERKNAD

En vedlikeholdslader opprettholder batteriets tilstand over lengre lagringsperioder.

## Frakobling av batteriet

1. Fjern paneldekselet til batteriet.
2. Fjern beskyttelsesdekselet fra den sorte/negative ledningen på batteriet.
3. Koble fra den sorte/negative ledningen fra den sorte/negative terminalen på batteriet og legg hetteskruen og mutteren til side.
4. Gjenta trinn 1-2 for den røde/positive batteriledningen.
5. Lagre batteriet på et kjølig, tørt sted.

## Batteri til fjernkontroll

### MERKNAD

- Kjøp alltid riktig størrelse og type batteri.
- Rengjør batterikontaktene og kontaktene på enhetene før batteriene installeres.
- Fjern batteriene fra utstyr som ikke skal brukes på en stund.
- Fjern batterier som er brukt opp eller hvis produktet ikke skal brukes på lang tid.

## Vedlikehold av generatoren

Sørg for at generatoren holdes ren og lagres riktig. Enheten skal bare brukes på et flatt, jevnt underlag i et rent, tørt driftsmiljø. IKKE utsett enheten for ekstreme forhold, overdrevne støvmengder, smuss, fukt eller etsende damp.

### FORSIKTIG

IKKE bruk hageslangen til å rengjøre generatoren med.

Vann kan trenge inn i generatoren via kjølespaltene og skade generatorviklingene.

## Vedlikehold av generatoren (fortsett)

Bruk en fuktig klut for å rengjøre de utvendige flatene på generatoren.

Bruk en børste med myk bust til å fjerne smuss og olje.

Bruk en luftkompressor (25 PSI) til å fjerne smuss og rusk fra generatoren.

Inspiser alle luftventiler og kjølespalter for å sikre at de er rene og ikke tilstoppet av noe.

## Lagring

Generatoren skal startes minst en gang hver 14. dag og la den gå i minst 20 minutter. For langtidslagring, følg disse retningslinjene.

## Lagring av generatoren

1. Fyll en drivstoffstabilisator som er riktig formulert på tanken.
2. Sørg for at alle apparater er koblet fra generatoren.
3. Kjør generatoren i et par minutter slik at det behandlede drivstoffet går gjennom drivstoffsystemet og forgasseren.
4. Vri drivstoffventilen til "Av"-posisjon.
5. La generatoren gå til den stopper på grunn av drivstoffmangel. Dette tar som regel et par minutter.
6. Generatoren må avkjøles helt før rengjøring og lagring.
7. Fjern pluggnetten, deretter drar du 3 ganger i snorstarten for å tømme bensin fra dysene i forgasseren.
8. Skifte motoroljen.
9. Fjern tennpluggen og hell omtrent en spiseskje med olje inn i sylindere. Sveiv motoren sakte for å fordele oljen og smøre sylindere.
10. Sett på tennpluggen igjen.
11. Oppbevar enheten på et rent, tørt sted, skjermet mot direkte sollys.

### FARE

Generatoreksos inneholder karbonmonoksid, en fargeløs og luktfri gass.

For å hindre at den fjernstyrte generatoren din tenner utilsiktet ved lagring, bør følgende forhåndsregler følges:

- Ved lagring av generatoren i kortere tidsperioder, sørg for at tenningsbryteren, drivstoffventilen og batteribryteren er i AV-stilling.
- Ved lagring av generatoren i lengre tidsperioder, sørg for at tenningsbryteren, drivstoffventilen og batteribryteren er i AV-stilling, og at ledningene er koblet fra batteriet.

Problem	Årsak	Løsning
Generatoren starter ikke	Ikke noe drivstoff	Fyll på drivstoff
	Svikt i tennplugg	Skift ut tennpluggen
	Enhet belastet under oppstart	Fjern belastning fra enheten
Generatoren starter ikke: Generatoren starter, men går ujevnt.	Lavt oljenivå.	Fyll veivhuset til riktig nivå. Plasser generatoren på et flatt, jevnt underlag.
	Choken er i feil posisjon.	Juster choken.
	Pluggkabelen er løs.	Fest ledningen til tennpluggen.
Generatoren starter ikke trådløst	Batteriet til fjernkontrollen er dødt	Skift ut batteriet til fjernkontrollen
	Generatorbatteri er dødt	Lad opp generatorbatteriet
	Batteribryteren er i "AV"-posisjon.	Vri batteribryteren til "PÅ"-posisjon.
Generatoren starter ikke:	Generatorbatteri er dødt	Lad opp generatorbatteriet
	Batteribryteren er i "AV"-posisjon.	Vri batteribryteren til "PÅ"-posisjon.
Generatoren slår seg av under drift.	Tomt for drivstoff	Fyll tanken med drivstoff.
	Lavt oljenivå.	Fyll veivhuset til riktig nivå. Plasser generatoren på et flatt, jevnt underlag.
Generatoren klarer ikke å levere nok strøm eller den overopphetes	Generatoren er overbelastet.	Se over belastningen og juster. Se "Strømstyring"
	Utilstrekkelig ventilasjon	Se etter luftblokkeringer. Flytt til et område med god ventilasjon
Ingen AC-strøm	Kabel ikke skikkelig tilkoblet	Kontroller alle tilkoblinger
	Tilkoblet enhet er defekt	Skift ut defekt enhet
	Effektbryter er åpen	Tilbakestill effektbryter
	Løse kabler	Inspiser og stram kabelkoblinger
	Annet	Kontakt hjelpetelefonen
Gjentatte utslag på effektbryter	Overbelastning	Se over belastningen og juster. Se "Strømstyring"
	Svikt i ledninger eller enhet	Se etter ødelagte, bare, eller frynsete ledninger. Skift ut defekt enhet

## Trådløs fjernstyring

Denne generatoren er utstyrt med trådløs fjernstyring for start og stopp. Systemet består av (4) hovedkomponenter:

- Mottakermodul (RCM)
- Trådløs fjernstyring
- Batteribryter (knapp)
- Tenningsbryter (knapp)

Både tenningsbryteren og batteribryteren må slås på for at fjernstyringen skal virke. For å starte generatoren, trykk på "start"-knappen én gang. Motoren forsøker å starte opptil 6 ganger. RCM aktiverer den automatiske choken. Dersom generatoren ikke starter, kontakt din lokale forhandler. For å stoppe generatoren, trykk på "stopp"-knappen én gang.

## Strømfunksjon på fjernkontroll

Hvis tenningsbryteren (knapp) står på, kan batteri tappe seg fullstendig. For å forhindre at batteriet tappes må både tenningsbryteren og batteribryteren slås av.

## Strømstyring via strømpanelet

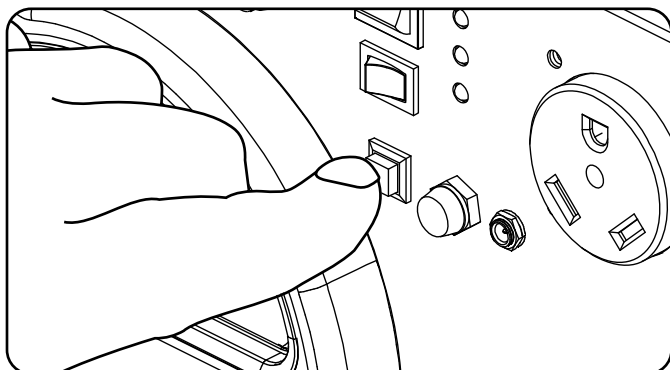
Når generatoren startes via fjernkontrollen er det 15 sekunders forsinkelse før strømpanelet er operativt. Når generatoren stoppes fra fjernkontrollen slår strømpanelet seg av umiddelbart, etterfulgt av motoren 5 sekunder senere. Spenningsforsinkelsen på/av oppstår bare når enheten slås på eller av med fjernkontrollen. Ved bruk av enten den elektriske startknappen eller snorstarten, må operatøren forsikre seg om at alle elektriske belastninger (apparater) er slått av ved oppstart og avstenging. Unnlatelse i å gjøre dette kan skade generatoren eller tilkoblede apparater.

# STYRINGER OG FUNKSJONER

## Knapp for trådløs innstilling

Knappen for trådløs innstilling er en funksjon som lar brukeren synkronisere fjernkontroller sammen med generatoren. Man kan sette opp to fjernkontroller eller nullstille en fjernkontroll med generatoren. For å nullstille en fjernkontroll eller synkronisere to fjernkontroller, følg disse trinnene:

1. Drei tenningsbryteren til "PÅ"-posisjon.
2. Vri batteribryteren til "PÅ"-posisjon.
3. Trykk og hold inne knappen for trådløs innstilling ved siden av den røde lampen (på frontpanelet) i omtrent tre sekunder. Den røde lampen tennes.
4. Trykk og slipp "STOPP"-knappen på fjernkontrollen. Den røde lampen blinker en gang for å slette det fjernstyrte programmet.
5. Trykk inn og slipp START-knappen. Den røde lampen blinker en gang for å programmere fjernstyringen.
6. Trykk og hold inne programmeringsknappen i omtrent tre sekunder til den røde lampen slukkes.
7. Test start- og stoppfunksjoner



### MERKNAD

Kun to fjernkontroller kan være synkronisert med én generator på en gang.

### MERKNAD

Utskiftning av et fjernkontrollbatteri betyr ikke nødvendigvis at brukeren må nullstille fjernkontrollen.

## Paralleldrif

To (2) Champion-modell generatorer kan driftes parallelt for å øke den totale mengden tilgjengelig elektrisk kraft. Et Champion parallellsett (ekstrautstyr) kreves for paralleldrif. For tilgjengelighet, besøk [www.championpowerequipment.eu](http://www.championpowerequipment.eu)

Detaljerte instruksjoner for installasjon av parallellsett, drift og effekt for de tilkoblede generatorene finnes i brukerhåndboken til parallellsettet.

Tutustu seuraaviin symboleihin. Turvasymbolit ja avainsanat ovat turvallisuusvaroituksia. Noudata kaikkia turvaohjeita onnettomuuksien tai loukkaantumisten välttämiseksi.

## VAARA

VAARA tarkoittaa välitöntä vaaratilannetta, joka **johtaa** kuolemaan tai vakavaan loukkaantumiseen, jos sitä ei vältetä.

## VAROITUS

VAROITUS tarkoittaa mahdollista vaaratilannetta, joka **voi johtaa** kuolemaan tai vakavaan loukkaantumiseen.

## NOUDATA VAROVAISUUTTA

HUOMAUTUS tarkoittaa mahdollista vaaratilannetta, joka **voi johtaa** lievään tai kohtalaiseen loukkaantumiseen.

## NOUDATA VAROVAISUUTTA

HUOMAUTUS käytettynä ilman turvahälytyssymbolia tarkoittaa mahdollisesti vaarallista tilannetta, joka **voi johtaa** omaisuusvahinkoihin, jos sitä ei vältetä.

## HUOMIO

Jos sinulla on kysymyksiä generaattoristasi, voimme auttaa. Ota yhteyttä paikalliseen jälleenmyyjään.

# SAFETY RULES

## VAROITUS

Lue tämä opas huolellisesti ennen generaattorin käyttöä. Ohjeiden noudattamatta jättäminen voi johtaa vakaviin vammoihin tai kuolemaan.

## VAROITUS

Tämän tuotteen moottorin pakokaasut sisältävät kemikaaleja, joiden tiedetään aiheuttavan vakavia terveysongelmia ja jopa kuoleman.

## VAARA

Generaattorin pakokaasu sisältää hiilimonoksidia eli häkää, joka on väritöntä ja hajutonta yrkkyaasua. Hiilimonoksidin hengittäminen aiheuttaa pahoinvointia, huimausta, pyörtymisen tai kuoleman. Jos huomaat huimausta tai heikotusta, siirry heti raikkaaseen ilmaan.

Käytä generaattoria ulkona hyvin tuulettuvassa tilassa.

ÄLÄ käytä generaattoria rakennuksen sisällä, mukaan lukien autotallit, kellarit, ryömintätilat ja suojat, kotelot tai osastot, mukaan lukien huvijoneuvon generaattoritila.

ÄLÄ päästä pakokaasuja umpinaiseen tilaan ikkunoiden, ovien, tuuletusaukkojen tai muiden aukkojen kautta.

**VAARALLISTA HÄKÄÄ:** generaattorin käyttö sisätiloissa **VOI TAPPAA MINUUTEISSA.**

## VAARA

Pyörivät osat voivat takertua käsiin, jalkoihin, hiuksiin, vaatteisiin ja/tai tarvikkeisiin. Seurauksena voi olla irti repeytyminen tai vakava avohaava.

Pidä kädet ja jalat kaukana pyörivistä osista. Sido pitkät hiukset kiinni ja riisu korut. Käytä laitteita, joissa suojukset ovat paikoillaan. ÄLÄ käytä löysästi istuvia vaatteita, roikkuvia hihnoja tai mitään, mikä voi tarttua kiinni.

## VAROITUS

Tuote sisältää nappipariston. Nieltynä se voi aiheuttaa vakavan vamman tai kuoleman jopa 2 tunnissa. Hakeuduttava heti lääkärin hoitoon.

## VAARA

Generaattori tuottaa tehokasta jännitettä

ÄLÄ kosketa paljaita johtoja tai pistorasioita. ÄLÄ käytä sähköjohtoja, jotka ovat kuluneet, vaurioituneet tai rispaantuneet.

ÄLÄ käytä generaattoria märällä säällä.

ÄLÄ anna lasten tai epäpätevien henkilöiden käyttää tai huoltaa generaattoria.

Käytä vikavirtasuojakytkintä (GFCI) kosteissa ja johtavaa materiaalia sisältävissä tiloissa, kuten metallikansilla.

Käytä hyväksytyjä siirtolaitteita eristämään generaattori sähkölaitteistasi ja ilmoita siitä sähköyhtiöllesi ennen generaattorin kytkemistä sähköjärjestelmään.

## VAROITUS

Kipinät voivat aiheuttaa tulipalon tai sähköiskun.

**Generaattoria huollettaessa:**

Irrota sytytystulpan johto ja pistoke.

ÄLÄ tarkista kipinää tulpan ollessa irrotettuna.

Käytä vain hyväksytyjä sytytystulppien testilaitteita.

## VAROITUS

Käynnissä olevat moottorit tuottavat lämpöä. Kosketus voi aiheuttaa vakavia palovammoja. Palava materiaali voi syttyä kosketuksesta.

ÄLÄ kosketa kuumia pintoja.

Vältä kosketusta kuumien pakokaasujen kanssa.

Anna laitteen jäähtyä ennen sen koskettamista.

Jätä vähintään 3 jalan (noin 90 cm:n) etäisyys laitteen ympärille ilmankierron varmistamiseksi.

Jätä vähintään 5 jalan (1,5 metrin) etäisyys syttyviin materiaaleihin.

## VAROITUS

Lääketieteelliset ja elämää ylläpitävät käyttötarkoitukset

Soita hätätilanteissa heti hätänumeroon.

ÄLÄ KOSKAAN käytä tätä tuotetta elämän ylläpitämiseen tai tukemiseen tarkoitettujen laitteiden virtalähteenä.

ÄLÄ KOSKAAN käytä tätä tuotetta lääkinnällisten laitteiden tai varusteiden virtalähteenä.

Ilmoita heti sähkötoimittajallesi, jos sinä tai joku kotitaloudestasi olette riippuvaisia sähkölaitteista.

Ilmoita välittömästi sähkötoimittajallesi, jos virran katkeaminen aiheuttaisi sinulle tai kenellekään kotitaloudessasi hätätilanteen.



**⚠ VAARA**

Polttoaine ja polttoainehöyryt ovat helposti syttyviä ja erittäin räjähtäviä. Tahaton käynnistäminen voi johtaa vakaviin vammoihin.

**Kun lisäät tai poistat polttoainetta:**

Sammuta generaattori ja anna sen jäähtyä vähintään kaksi minuuttia ennen polttoainesäiliön korkin irrottamista. Avaa korkkia hitaasti paineen vähentämiseksi säiliössä.

Täytä tai tyhjennä polttoainetta vain ulkona hyvin tuulettuvassa tilassa.

ÄLÄ pumpkaa bensiiniä huoltoasemalla suoraan generaattoriin. Käytä hyväksyttyä säiliötä polttoaineen siirtämiseksi generaattoriin.

ÄLÄ täytä polttoainesäiliötä liikaa.

Pidä polttoaine aina suojassa kipinöiltä, avotulelta, merkkivaloilta, lämmöltä ja muista syttymislähteistä.

ÄLÄ sytytä tai polta savukkeita.

**Generaattoria käynnistettäessä:**

ÄLÄ yritä käynnistää vaurioitunutta generaattoria. Varmista, että bensiinikorkki, ilmansuodatin, sytytystulppa, polttoaineletkut ja pakojärjestelmä ovat kunnolla paikoillaan.

Anna läikkyneen polttoaineen haihtua kokonaan ennen moottorin käynnistämistä.

Varmista, että generaattori lepää tiukasti tasaisella pinnalla.

**Generaattoria käytettäessä:**

ÄLÄ siirrä tai kallista generaattoria käytön aikana.

ÄLÄ kallista generaattoria tai anna polttoaineen tai öljyn vuotaa ulos.

**Generaattoria kuljetettaessa tai huollettaessa:**

Varmista, että polttoaineen sulkuventtiili on kiinni ja polttoainesäiliö on tyhjä.

Irrota sytytystulpan johto.

**Generaattoria varastoitaessa:**

Varastoi suojassa kipinöiltä, avotulelta, merkkivaloilta, lämmöltä ja muista syttymislähteistä.

**⚠ VAROITUS**

Tämän laitteen käyttö voi aiheuttaa kipinöitä, jotka voivat aiheuttaa tulipalon kuivassa kasvillisuudessa.

Kipinäsuojaa voidaan tarvita. Käyttäjän on otettava yhteyttä paikalliseen palontorjuntaviranomaiseen saadakseen tietoja palontorjuntaa koskevista vaatimuksista.

**⚠ VAROITUS**

Käynnistysnarun nopea vetäminen vetää käsiä ja käsivarsia moottoria kohti nopeammin kuin voit vapauttaa narun, mikä voi johtaa vakavaan vammaan.

Käynnistäessäsi moottoria vedä käynnistysnarusta hitaasti, kunnes tuntuu vastusta, ja vedä sitten narusta nopeasti välttääksesi takaiskun. ÄLÄ käynnistä tai pysäytä moottoria, joka on kytkettynä sähkölaitteisiin.

**! NOUDATA VAROVAISUUTTA**

Generaattorin käyttökapasiteetin ylittäminen voi vaurioittaa generaattoria ja/tai siihen kytkettyjä sähkölaitteita.

ÄLÄ ylikuormita generaattoria.

Käynnistä generaattori ja anna moottorin vakautua ennen sähkökuormien kytkemistä.

Kytke sähkölaitteet pois päältä ja kytke ne sitten takaisin päälle.

Sammuta sähkölaitteet ennen generaattorin sammuttamista.

ÄLÄ peukaloi säädelyä nopeutta.

ÄLÄ muuta generaattoria millään tavalla.

**! NOUDATA VAROVAISUUTTA**

Virheellinen käsittely tai generaattorin käyttö voi vahingoittaa sitä, lyhentää sen käyttöikää ja mitätöidä takuun.

Käytä generaattoria vain sille osoitettuihin käyttötarkoituksiin.

Käytä vain tasaisilla pinnoilla.

ÄLÄ altista generaattoria liialliselle kosteudelle, pölylle tai lialle.

ÄLÄ anna minkään materiaalin tukkia jäähdytysaukkoja.

Jos kytketyt laitteet ylikuumentuvat, sammuta ne ja irrota ne generaattorista.

ÄLÄ käytä generaattoria, jos:

- Sähköä ei synny
- Laite kipinöi, savuaa tai liekehtii
- Laite tärisee voimakkaasti

Generaattori vaatii jonkin verran kokoonpanoa. Tämä yksikkö toimitetaan tehtaalta ilman öljyä. Se on täytettävä asianmukaisesti polttoaineella ja öljyllä ennen käyttöä.

Jos sinulla on kysyttävää generaattorisi kokoonpanosta, ota yhteyttä paikalliseen jälleenmyyjään. Pidä sarjanumero ja mallinumero käsillä.

## Poista generaattori pakkauksesta

1. Aseta toimituspakkaus tukevalle, tasaiselle alustalle.
2. Poista pakkauksesta kaikki paitsi generaattori.
3. Poista generaattori varovasti laatikosta laitteen kantokahvoja käyttämällä. (Kahden ihmisen työpanos on suositeltavaa)

## Akun kytkeminen (sähköstartilla varustetut mallit)

1. Irrota kaksi (2) huoltosuojausten ruuvia ruuvitaltalla akun huoltokannesta.
2. Kun ruuvit on irrotettu, kannen kuminen vetolevy voidaan vetää ulos, jotta huoltokansi löystyy ja irtoaa. (A)
3. Irrota akun huoltokansi. (A)
4. Leikkaa nippuside, joka sitoo akkukaapelit toisiinsa.
5. Kierrä akun pultti ruuvimeisselillä irti punaisesta plusnavasta (+).
6. Kytke punainen plusjohdin (+) akun plusnapaan (+) pultilla.
7. Vedä kumisuoja akkukaapelin liitännän ja akun navan päälle.
8. Toista vaiheet 5-7 mustan miinuskaapelin (-) akkukaapelin johdon ja mustan akun miinusnavan (-) kohdalla.

## Akun kytkentä, jatkoa

### HUOMIO

Jos akkukaapelit eivät ole näkyvissä, kun akun huoltokansi on irrotettu, huomaa, että kaapelit voivat olla kiinnitettyinä akun yläpuolelle.

## Moottoriöljyn lisääminen

**! NOUDATA VAROVAISUUTTA**

ÄLÄ yritä pyörittää tai käynnistää moottoria ennen kuin sen öljymäärä on täynnä ja oikeaa, suositeltua tyyppiä. Näiden ohjeiden laiminlyönnistä generaattorille aiheutuvat vauriot mitätöivät takuun.

**! HUOMIO**

Suosittelimme autojen moottoriöljyä 10W-30.

1. Sijoita generaattori tasaiselle alustalle.
2. Avaa kannen ruuveja ja irrota huoltokansi.
3. Irrota öljytäyttökorkki/mittatikku öljyn lisäämiseksi.

**! HUOMIO**

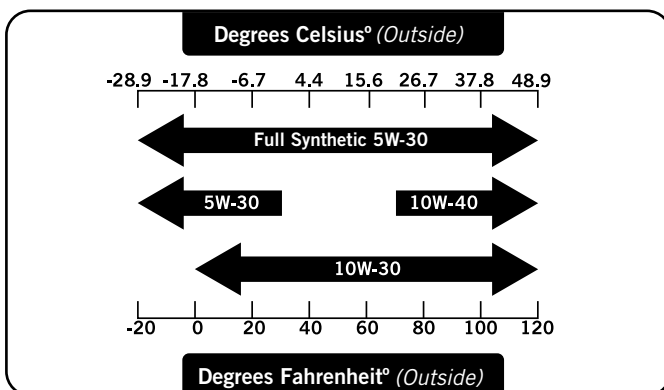
Kun öljyä on lisätty, silmämääräisessä tarkastuksessa tulee näkyä öljyä noin 1-2 kierteen mitalta täyttöaukosta. Jos käytät mittatikkoa öljytason tarkistamiseen, ÄLÄ ruuvaa mittatikkoa tarkistuksen aikana.

**! HUOMIO**

Tarkista öljyt usein sisäänajon aikana. Katso huolto-osioista suositellut huoltovälit.

4. Lisää öljy ja aseta öljytäyttökorkki/mittatikku paikalleen. ÄLÄ TÄYTÄ LIIKAA.
5. Tarkista moottoriöljyn taso päivittäin ja lisää tarvittaessa.

## Moottoriöljyn lisääminen, jatkoa

**NOUDATA VAROVAISUUTTA**

Moottori sammuu öljyn määrän ollessa liian vähäinen, ja käynti pysähtyy, kun kampikammion öljymäärä laskee alle kynnystason.

**! HUOMIO**

Generaattorin roottorissa on suljettu, esivoideltu kuulalaakeri, joka ei vaadi lisävoitelua koko laakerin eliniän aikana.

**! HUOMIO**

Pidämme ensimmäisiä 5 käyttötuntia yksikön sisäänajojaksona. Taukojakson aikana tulee käyttää 50 % tai vähemmän käyttötehosta. Vaihda kuormaa ajoittain, jotta staattorin käämit voivat kuumentua ja jäähtyä. Kuorman säätäminen muuttaa myös moottorin nopeutta ja auttaa männänrenkaita asettumaan. Vaihda öljy 5 tunnin sisäänajojakson jälkeen.

**! HUOMIO**

Viiden tunnin sisäänajojakson jälkeen voidaan käyttää synteettistä öljyä. Synteettisen öljyn käyttö ei pidennä suositeltua öljynvaihtoväliä.

**! HUOMIO**

Sää vaikuttaa moottoriöljyyn ja moottorin suorituskykyyn. Vaihda käytettyä moottoriöljytyyppiä sääolosuhteiden perusteella moottorin tarpeisiin sopivaksi.

## Polttoaineen lisääminen

1. Käytä puhdasta, tuoretta, normaalia lyijytöntä polttoainetta, jonka oktaaniarvo on vähintään 85 ja etanolipitoisuus alle 10 tilavuusprosenttia.
2. ÄLÄ sekoita öljyä polttoaineeseen.
3. Puhdista alue polttoainesäiliön korkin ympäriltä.
4. Irrota polttoainesäiliön korkki.
5. Lisää polttoainetta hitaasti säiliöön. ÄLÄ TÄYTÄ LIIKAA. Polttoaine voi laajentua täytön jälkeen. Vähintään 1/4 tuumaa (6,4 mm) jäljellä olevaa tilaa polttoainesäiliössä tarvitaan polttoaineen laajenemisen varalta. Suositus on yli 1/4 tuumaa (6,4 mm). Polttoaine voi tulla ulos säiliöstä laajenemisen seurauksena, jos se on liian täynnä, ja se voi vaikuttaa tuotteen käyttäytymiseen. Kun säiliötä täytetään, on suositeltavaa jättää tarpeeksi tilaa polttoaineen laajentumiselle.
6. Ruuvaa polttoainesäiliön korkki paikalleen ja pyyhi pois vuotanut polttoaine.

### **NOUDATA VAROVAISUUTTA**

Käytä tavallista lyijytöntä bensiiniä, jonka oktaaniluku on vähintään 85.

Älä sekoita öljyä ja bensiiniä keskenään. Täytä säiliö noin 1/4 tuumaa (6,4 mm) ylärajasta, jotta polttoaineelle jää tilaa laajentua. ÄLÄ pumpkaa bensiiniä huoltoasemalla suoraan generaattoriin. Käytä hyväksytyä säiliötä polttoaineen siirtämiseksi generaattoriin. ÄLÄ täytä polttoainesäiliötä sisätiloissa. ÄLÄ täytä polttoainesäiliötä moottorin käydessä tai ollessa kuuma. ÄLÄ täytä polttoainesäiliötä liikaa. ÄLÄ sytytä savukkeita tai tupakoi polttoainesäiliötä täytettäessä.

### **VAROITUS**

Polttoaineen liian nopea kaataminen polttoainesuodattimen läpi voi johtaa polttoaineen takaisinvirtaukseen.

## Polttoaineen lisääminen, jatkoa

### **HUOMIO**

Moottorimme toimivat hyvin 10 % tai sen alle olevilla etanolisekoitepolttoaineilla. Sekoitettua polttoainetta käytettäessä on huomioitava joitain asioita:

- Etanoli-bensiiniseokset voivat imeä enemmän vettä kuin pelkkä bensiini.
  - Nämä seokset voivat lopulta erottua ja jättää vettä tai vetistä lietettä säiliöön, polttoaineventtiiliin ja kaasuttimeen.
  - Painovoimalla toimivissa polttoainesyötöissä tämä pilaantunut polttoaine voi imeytyä kaasuttimeen ja aiheuttaa vahinkoa moottorille ja/tai vaaratilanteita.
  - On olemassa vain muutama polttoaineiden stabilointiaineiden toimittaja, joiden tuotteet on suunniteltu toimimaan etanolisekoitepolttoaineiden kanssa.
  - Valmistajan takuu ei kata vaurioita tai vaaroja, jotka aiheutuvat väärän polttoaineen, väärin varastoidun polttoaineen ja/tai väärin annosteltujen stabilointiaineiden käytöstä.
- Suosittellemme sammuttamaan polttoaineensyötön, ajamaan polttoaine tyhjiin ja tyhjentämään säiliön, jos laitetta ei käytetä yli 30 vuorokauteen.

## Maadoitus

Generaattorisi on kytkettävä oikein asianmukaiseen maadoitukseen sähköiskun estämiseksi.

### **VAROITUS**

Generaattorin maadoittamatta jättäminen voi johtaa sähköiskuun.

Maadoitusliitin, joka on kytketty generaattorin runkoon, on valmiiksi virtapaneelissa. Etämaadoitusta varten tulee kytkeä pitkä raskas (vähintään 12 AWG) kuparijohdin generaattorin maadoitusliittimen ja maadoituksessa kulkevien kuparitankojen väliin. Suosittelemme, että otat yhteyttä valtuutettuun sähköasentajaan varmistaaksesi paikallisten sähkömääräysten noudattamisen.

## Generaattorin sijoittaminen

Älä koskaan käytä generaattoria rakennuksen sisällä! (Katso kohta Turvavaroitukset). Joillakin alueilla generaattorit on rekisteröitävä paikallisella sähkölaitoksella. Rakennustyömailla käytettäviin generaattoreihin voidaan soveltaa paikallisia lisäsääntöjä. Sijoita tasaiselle alustalle. Generaattoreilla on oltava vähintään 1,5 m etäisyys kaikesta palavasta materiaalista. Lisäksi niillä on oltava vähintään 3 jalan (noin 3 cm:n) väli kaikilta sivuilta riittävän jäähtymisen ja huollon mahdollistamiseksi. Generaattoreita ei saa koskaan käynnistää tai käyttää paikoissa, jotka eivät mahdollista generaattorin ja/tai äänenvaimentimen riittävää jäähtymistä. Anna generaattoreiden jäähtyä ennen varastointia tai kuljetusta. Älä sijoita generaattoria aukkojen tai imuaukkojen läheisyyteen. Ota huomioon tuuli- ja ilmavirrat generaattoria sijoittaessasi.

**Asianmukaisten turvatoimenpiteiden noudattamatta jättäminen voi mitätöidä valmistajan takuun.**

### VAROITUS

Älä käytä tai säilytä generaattoria sateessa, lumessa tai märässä.

Generaattorin tai sähkölaitteen käyttö märissä olosuhteissa, kuten sateessa tai lumessa, uima-altaan tai sprinklerijärjestelmän lähellä tai käsien ollessa märkä, voi johtaa sähköiskuun.

### VAROITUS

Käytön aikana äänenvaimentimet ja syntyvät pakokaasut kuumenevat. Jos riittävää jäähtymis- ja ilmankiertotilaa ei ole saatavana tai jos generaattori on tukossa tai peitetty, lämpötilat voivat kuumentua erittäin voimakkaasti ja aiheuttaa tulipalon.

## Maadoitus

Generaattorijärjestelmän maadoitus yhdistää rungon virtapaneelin maadoitusliittimiin.

- Generaattori (staattorin käämi) on eristetty rungosta ja vaihtovirtapistokkeen maadoitustapista.
- Sähkölaitteet, jotka vaativat maadoitetun pistokeliitännän, eivät toimi, jos pistorasian maadoitustappi ei ole toiminnassa, ellei nollajohtoa ole kytketty runkoon.

## Langaton etäkäynnistys (valinnainen ominaisuus)

Langaton etäkäynnistys on mahdollista **80 metrin päässä** generaattorista. (Langaton signaali ei välttämättä kulje joidenkin kiinteiden esineiden läpi.)

Älä yritä säätää kaasuttimen rikastinta. Etä- ja sähköjärjestelmä sulkevat ja avaavat rikastimen automaattisesti.

1. Sijoita generaattori tasaiselle alustalle.
2. Sammuta kaikki generaattoriin kytketyt sähkökuormat. Älä koskaan käynnistä tai pysäytä generaattoria, joka on päällä.
3. Käännä polttoaineventtiili ON-asentoon.
4. Paina akkukytkin ON-asentoon.
5. Paina virta-avain ON-asentoon.
6. LANGATON ETÄKÄYNNISTYS: paina ja vapauta START-painike kämmenlaitteen kaukosäätimestä. ÄLÄ pidä painiketta painettuna, vaan paina painiketta vain kerran. Moottori yrittää käynnistyä kuusi kertaa.
7. Jos generaattori ei käynnisty, tarkista akun kunto ja kaapeliliitännät.

### HUOMIO

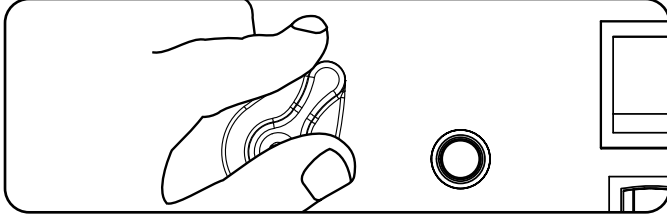
Mukana toimitettu 12 V 7 AH -akku latautuu moottorin käydessä, mutta on myös suositeltavaa, että akku ladataan täyteen vähintään kerran kuukaudessa.

### HUOMIO

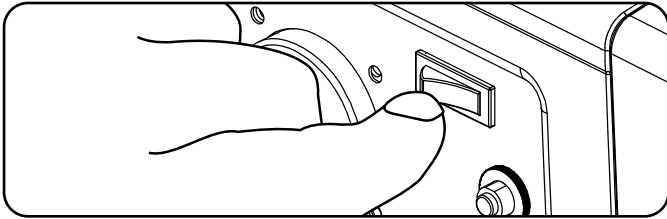
Kun akkukytkin on ON-asennossa, kytkin syttyy, jos akku lähettää latausta. Jos kytkin ei syty, kun se on ON-asennossa, tarkista, että akkuliitännät on edelleen kunnossa.

## Sähköinen (valinnainen) ja vetostartti

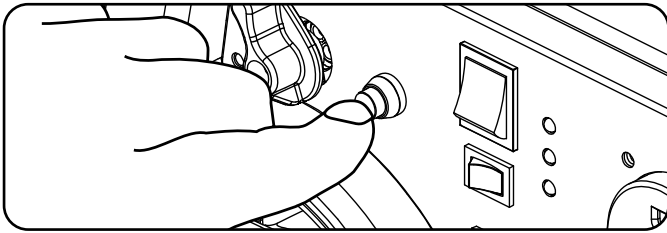
1. Sijoita generaattori tasaiselle alustalle.
2. Kytke irti kaikki sähkökuormat generaattorista. Älä koskaan käynnistä tai pysäytä generaattoria, joka on kytkettynä sähköverkkoon tai päällä.
3. Käännä polttoaineventtiili ON-asentoon.



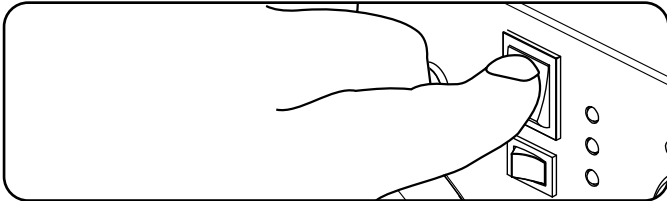
4. Käännä akkukytkin ON-asentoon.



5. Työnnä rikastinvipu CHOKE-asentoon.



6. Käännä virta-avain ON-asentoon.



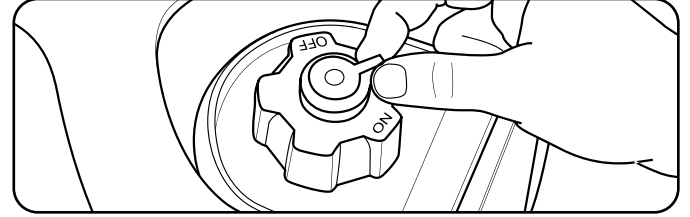
7. SÄHKÖSTARTTI: Pidä virta-avain painettuna START-asentoon. Vapauta moottorin alkaessa pyöriä. Jos moottori ei käynnisty viiden sekunnin kuluessa, vapauta kytkin ja odota vähintään kymmenen sekuntia ennen kuin yrität käynnistää moottorin uudelleen.
8. VETOSTARTTI: Vedä käynnistysnarusta hitaasti, kunnes tuntuu vastusta, ja vedä sitten narusta nopeasti.
9. Kun moottori lämpenee, paina rikastinpainike Run-asentoon.

### HUOMIO

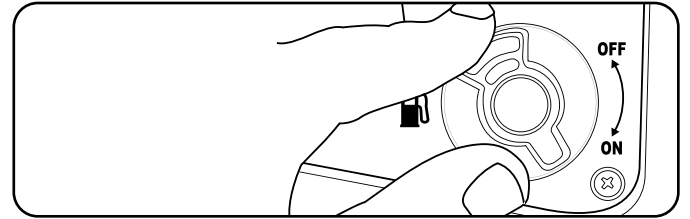
Pidä rikastinpainike Choke-asennossa vain yhden käynnistysvedon ajan. Paina ensimmäisen vedon jälkeen rikastinpainike Run-asentoon sisään enintään 3 vedon ajan. Liian paljon ryyppyä johtaa sytytystulpan kastumiseen/likaantumiseen tuloilman puuttumisen vuoksi. Tämän vuoksi moottori ei käynnisty.

## Vetostartti - vaihtovirtamalli

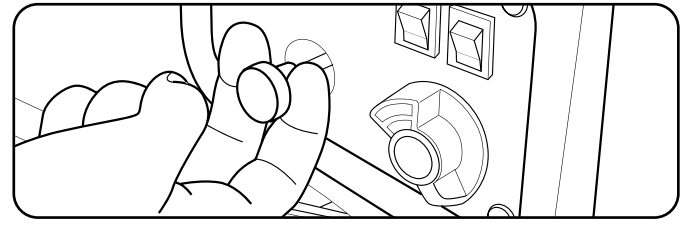
1. Sijoita generaattori tasaiselle alustalle.
2. Kytke irti kaikki sähkökuormat generaattorista. Älä koskaan käynnistä tai pysäytä generaattoria, joka on kytkettynä sähköverkkoon tai päällä.
3. Käännä polttoainesäiliön korkin vipu ON-asentoon.



4. Käännä polttoaineventtiili ON-asentoon.



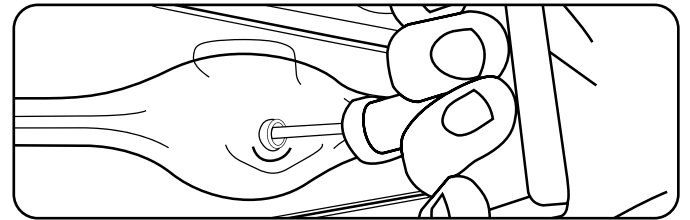
5. Vedä rikastinvipu ulos, kun käynnistät generaattorin.



6. Käännä virta-avain ON-asentoon.



7. Vedä käynnistysnarusta hitaasti, kunnes tuntuu vastusta, ja vedä sitten narusta nopeasti.



8. Kun moottori lämpenee, paina rikastinpainike Run-asentoon.

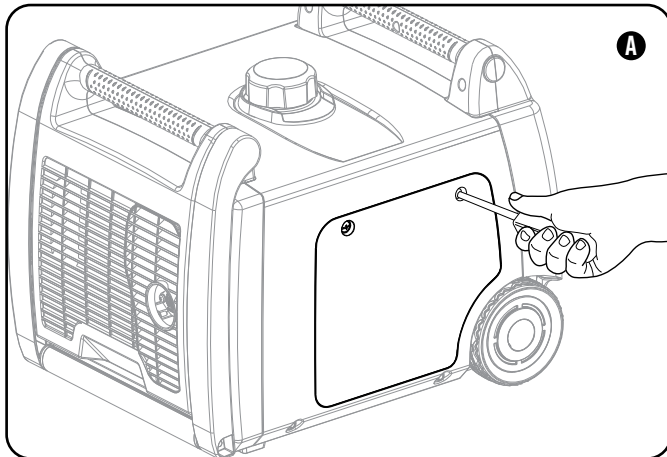
### HUOMIO

Jos moottori käynnistyy, mutta ei jatka käymistä varmista, että generaattori on tasaisella pinnalla. Moottori on varustettu öljytason anturilla, joka estää moottoria käymästä, jos öljymäärä laskee kriittisen kynnyksen alapuolelle.

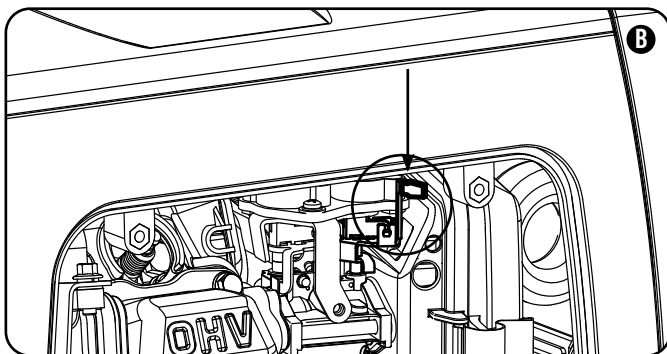
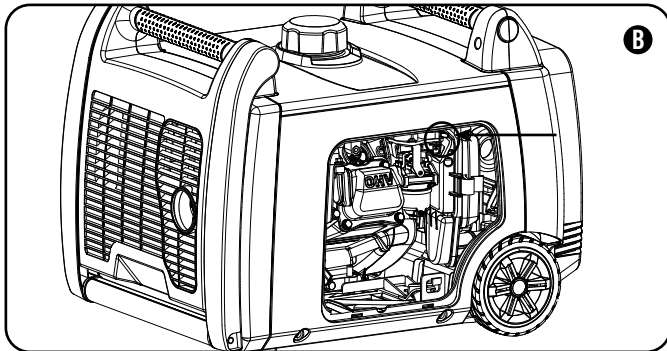
## Manuaalisen rikastimen käynnistys

Jos akku on tyhjä tai se ei pysty tuottamaan tarpeeksi virtaa painikerikastimen käynnistämiseksi, itse rikastinta voidaan käyttää manuaalisesti moottorin käynnistämisen helpottamiseksi. Kun haluat rikastaa ja käynnistää taajuusmuuttajan manuaalisesti, toimi seuraavasti:

1. Löysää ruuveja ja irrota huoltokansi. (A)



2. Paikanna keltainen manuaalinen rikastinvipu. (B)
3. Käännä rikastinvipu CHOKE-asentoon (oikea). (B)
4. Käännä polttoaineventtiili ON-asentoon.



5. Käännä moottorin kytkin ON-asentoon.
6. Vedä narusta, kunnes tuntuu vastusta, ja vedä sitten nopeasti.
7. Kun moottori alkaa kääntyä, siirrä rikastinvipu asentoon RUN (vasen).

## Manuaalisen rikastimen käynnistys, jatkoa

### HUOMIO

Pidä rikastinvipu (oikeassa) Choke-asennossa vetämällä vain kerran. Siirrä ensimmäisen vedon jälkeen rikastinvipu Run-asentoon (vasen) sisään enintään 3 vedon ajan. Liian paljon ryyppyä johtaa sytytystulpan kastumiseen/likaantumiseen tuloilman puuttumisen vuoksi. Tämän vuoksi moottori ei käynnisty.

## Säästökytkin

Economy Control -kytkin eli säästökytkin voidaan aktivoida polttoainenkulutuksen ja melun minimoimiseksi, kun laitetta ei käytetä täydellä kuormalla. Kun säästökytkin on pois päältä, moottori käy jatkuvasti normaalilla kierrosluvulla.



### VAROITUS

Jos sähkökuormitus on korkea tai hetkellinen vaihtelu suurta, säästökytkimen tulee olla kytkettynä pois päältä.

## Sähkökuormien kytkeminen

1. Anna moottorin vakautua ja lämmetä muutama minuutti käynnistyksen jälkeen.
2. Kytke pistoke ja kytke haluamasi 120/240 voltin yksivaiheinen vaihtovirta, 50 Hz.
  - ÄLÄ kytke 3-vaiheisia kuormia generaattoriin.
  - ÄLÄ kytke 60 Hz kuormia generaattoriin.
  - ÄLÄ ylikuormita generaattoria.

### HUOMIO

Generaattorin kytkeminen sähköyhtiösi linjoihin tai muuhun virtalähteeseen saattaa olla lain vastaista. Lisäksi tämä toimenpide, jos se tehdään väärin, voi vahingoittaa generaattoriasi ja laitteitasi ja aiheuttaa vakavia vammoja tai jopa kuoleman sinulle tai työntekijälle, tai hänelle, joka työskentelee läheisillä voimalinjoilla. Jos aiot käyttää kannettavaa sähkögeneraattoria seisokin aikana, ilmoita siitä välittömästi sähköyhtiöllesi ja muista kytkeä laitteet suoraan generaattoriin. Älä kytke generaattoria kotisi pistorasiaan. Se voi muodostaa yhteyden sähköyhtiön sähkölinjoihin. Olet vastuussa siitä, että generaattorisi sähkö ei johdu takaisin sähköverkkoihin.

Jos generaattori kytketään rakennuksen sähköjärjestelmään, ota yhteys paikalliseen sähköyhtiöön tai valtuutettuun sähköasentajaan. Liitäntöjen on eristettävä generaattorin virta sähköverkosta ja niiden on noudatettava kaikkia sovellettavia lakeja ja määräyksiä.

## 12V DC pistorasia

12 V DC-pistorasiaa voidaan käyttää mukana toimitetun latauskaapelin ja USB-laturin sekä muiden kaupallisesti saatavien 12 V DC: n autopistokkeiden kanssa. DC-lähtö on sääntelemätön ja voi vahingoittaa joitain tuotteita. Varmista, että lisälaitteiden tulojännitealue on vähintään 12–24 V DC. Kun käytät tasavirtapistorasiaa, käännä säästökytkin OFF-asentoon.

### VAROITUS

Älä käytä laitetta, jos se on kytketty 12 V:n tasavirtapistorasiaan.

Pitkäaikainen altistuminen moottorin pakokaasuille voi aiheuttaa vakavan vamman tai kuoleman.

### VAROITUS

Älä lataa laitetta laturilla pakokaasun puolelta. Pakokaasujen aiheuttama voimakas lämpö voi vahingoittaa laitetta ja aiheuttaa mahdollisen tulipalon.

## Moottorin pysäyttäminen

1. Sammuta ja irrota kaikki sähkökuormat. Älä koskaan käynnistä tai pysäytä generaattoria, joka on kytkettynä sähköverkkoon tai päällä.
2. Anna generaattorin käydä ilman kuormaa useita minutteja moottorin ja generaattorin sisäisten lämpötilojen tasaamiseksi.
3. Käännä polttoaineventtiili OFF-asentoon.
4. Anna moottorin käydä, kunnes polttoaineen puute on pysäyttänyt moottorin. Tämä kestää yleensä muutaman minuutin.
5. Käännä virta-avain OFF-asentoon.
6. Käännä mahdollinen akkukytkin OFF-asentoon.

**Tärkeää:** Varmista aina, että polttoaineventtiili ja virta-avain sekä akkukytkin ovat OFF-asennossa, kun moottoria ei käytetä.

### HUOMIO

Jos moottoria ei käytetä vähintään kahteen (2) viikkoon, katso kohdasta Varastointi lisätietoja moottorin ja polttoaineen asianmukaisesta varastoinnista.

### HUOMIO

Jos generaattorissa on akku, käännä akkukytkin aina OFF-asentoon, kun yksikköä ei käytetä. Tämä estää akkua tyhjentymästä. Noudata generaattorin ja akun huolto- ja varastointiohjeita, kun laitetta ei käytetä vähintään kahteen viikkoon.



## Älä ylikuormita generaattoria

### Kapasiteetti

Noudata näitä yksinkertaisia ohjeita laskeaksesi käyttötarkoituksesi kannalta tarpeellinen käyttö- ja käynnistysteho.

1. Valitse sähkölaitteet, joita aiot käyttää samanaikaisesti.
2. Näiden kohteiden käytönaikainen wattien kokonaismäärä. Tämä on se määrä tehoa, joka tarvitaan niiden pitämiseen käynnissä.
3. Tunnista kaikkien vaiheessa 1 yksilöityjen laitteiden suurin lähtöteho. Lisää tämä numero vaiheessa 2 laskettuun numeroon. Ylijännite on ylimääräinen virranpurkaus, jota tarvitaan joidenkin sähkökäyttöisten laitteiden käynnistämiseen. Kohdassa "Virranhallinta" lueteltujen vaiheiden noudattaminen takaa, että vain yksi laite käynnistyy kerrallaan.

### Virranhallinta

Käytä seuraavaa kaavaa muuntaaksesi jännite ja ampeerit wateiksi:

$$\text{Voltti} \times \text{ampeeri} = \text{watti}$$

Voit pidentää generaattorisi ja siihen liitettyjen laitteiden käyttöikää lisäämällä sähkökuormaa seuraavia ohjeita noudattaen:

1. Käynnistä generaattori ilman sähkökuormaa.
2. Anna moottorin käydä useita minutteja tasaantumista varten.
3. Kytke virta ja käynnistä ensimmäinen laite. On parasta kiinnittää ensin laite, jolla on suurin kuorma.
4. Anna moottorin tasaantua.
5. Kytke virta ja käynnistä seuraava laite.
6. Anna moottorin tasaantua.

## Käyttö korkealla

Huomaa, että moottorin teho voi laskea ja pakokaasupäästöt kasvaa käytettäessä laitetta korkealla. Muita korkean ongelmia voivat olla kovat käynnistykset, lisääntynyt polttoaineenkulutus ja sytytystulppien likaantuminen. Tämä on luonnollista, eikä asiaa voida muuttaa säätämällä moottoria.

### VAROITUS

Käyttö vaihtoehtoisella pääruiskulla suositellun minimikorkeuden alapuolella olevissa korkeuksissa voi vahingoittaa moottoria. Alemmissa korkeuksissa toimimiseksi on käytettävä vakiopääruiskua. Moottorin käyttäminen väärällä moottorin kokoonpanolla tietyllä korkeudella voi lisätä sen päästöjä ja vähentää polttoainetehokkuutta ja suorituskykyä.

### HUOMIO

Älä koskaan ylitä määritettyä kapasiteettia lisättäessä kuormia generaattoriin.

## Ylikuormitussuoja

Ylikuormituksen merkkivalo syttyy, kun nimelliskuorma ylitetään. Kun maksimikuorma saavutetaan, LED-valo vilkkuu ja katkaisee virran pistokkeisiin. Virran palauttamiseksi sammuta moottori ja odota, kunnes valo sammuu. Käynnistä sitten generaattori uudelleen.

# HUOLTO JA VARASTOINTI

Omistaja/käyttäjä on vastuussa kaikista määräaikaishuolloista.

## **VAROITUS**

Älä koskaan käytä vaurioitunutta tai viallista generaattoria.

## **VAROITUS**

Tehdasasetusten muuttaminen mitätöi takuun.

## **VAROITUS**

Väärä huolto mitätöi takuun.

## **HUOMIO**

Päästöjenrajoituslaitteiden ja -järjestelmien huoltoa, vaihtoa tai korjausta voi suorittaa kuka tahansa korjaamo tai luvan saanut henkilö.

Suorita kaikki määräaikaishuollot oikeaan aikaan. Korjaa kaikki ongelmat ennen generaattorin käyttöä.

## Moottorin huolto

Tahattoman käynnistymisen estämiseksi pitää sytytystulpan johdin irrottaa ja maadoittaa ennen minkään huollon suorittamista.

### Öljy

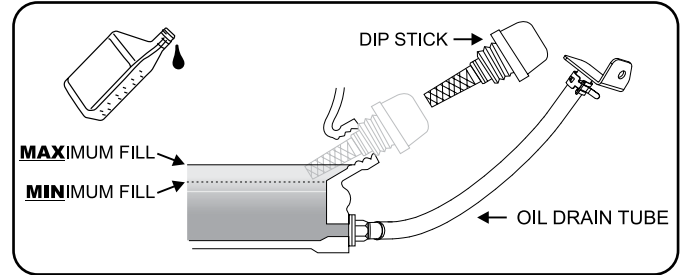
Vaihda öljy moottorin ollessa lämmin. Katso öljytiedoista sopiva öljyalaatu käyttöympäristöllesi.

1. Irrota öljytäyttökorkki/mittatikku.
2. Liu'uta jousipuristin pihdeillä öljyn tyhjennysletkun alapuolelle ja vedä letku irti pistokekiinnikkeestä.
3. Osoita letku tyhjennysastiaan ja anna öljyn valua kokonaan pois. **Huom:** Letkun pää on oltava alempana kuin moottorin jalusta, jotta öljy pääsee valumaan pois.
4. Vaihda öljyn tyhjennysletku tulpan kiinnikkeeseen ja liu'uta jousipuristin takaisin paikalleen.
5. Lisää öljyä ja vaihda öljykorkki/mittatikku. **ÄLÄ TÄYTÄ LIIKAA.**
6. Hävitä käytetty öljy hyväksytyssä jätehuoltolaitoksessa.

### Öljy, jatkoa

## **HUOMIO**

Kun öljyä on lisätty, silmämääräisessä tarkastuksessa tulee näkyä öljyä noin 1-2 kierteen mitalta täyttöaukosta. Jos käytät mittatikkuja öljytason tarkistamiseen, **ÄLÄ** ruuvaa mittatikkuja tarkistuksen aikana.



## Sytytystulpat

1. Irrota sytytystulpan johto.
2. Poista sytytystulppa sytytystulpan irrotustyökalulla (ei mukana).
3. Tarkasta tulpan elektrodi. Sen on oltava puhdas eikä se saa olla kulunut syttymiseen tarvittavan kipinän tuottamiseksi.
4. Katso sytytystulpan suosituksista lisätietoja tulpan vaihtamisesta.
5. Kierrä tulppa huolellisesti kiinni.
6. Asenna tulppa tukevasti sytytystulpan pistokkeeseen (ei sisälly toimitukseen).
7. Kiinnitä sytytystulpan johto pistokkeeseen.

## Akun lataaminen

Akulla varustetun generaattorin kohdalla sähkökäynnistyksessä on noudatettava akkujen asianmukaista huolto- ja varastointiohjeita. Automaattista akkulaturia (ei sisälly toimitukseen), jossa on automaattinen latausominaisuus, tulisi käyttää akun lataamiseen. Suurin latausnopeus ei saa ylittää 1,5 ampeeria. Noudata akkulaturin mukana toimitettuja ohjeita. Akku on ladattava täyteen vähintään kerran kuukaudessa.

### 

Kelluva laturi ylläpitää akun tilaa pitkiä varastointiaikoja.

## Akun irrottaminen

- Poista akkupaneelin suoja.
- Poista suojakotelo akun mustasta miinusjohdosta.
- Irrota musta / miinusjohto akun mustasta / miinusnavasta ja säilytä kantaruuvi ja mutteri.
- Toista vaiheet 1-2 punaisen/plusjohdon kohdalla.
- Säilytä akkua viileässä, kuivassa paikassa.

## Etäohjaimen akku

### 

- Osta aina oikean kokoinen ja oikean luokan akku, joka sopii parhaiten aiottuun käyttöön.
- Puhdista akun ja laitteen kontaktit ennen akun asentamista.
- Poista akut laitteista, joita ei käytetä pitkään aikaan.
- Irrota akut, jos ne ovat tyhjä tai jos tuotetta ei ole tarkoitus käyttää pitkään aikaan.

## Generaattorin huolto

Varmista, että generaattori pysyy puhtaana ja että sitä varastoidaan oikein. Käytä laitetta vain tasaisella alustalla puhtaassa ja kuivassa käyttöympäristössä. ÄLÄ altista laitetta ääriolosuhteille, liialliselle pölylle, lialle, kosteudelle tai syövyttävälle höyrylle.

### 

ÄLÄ käytä puutarhaletkua generaattorin puhdistamiseen.

Vesi voi päästä generaattoriin jäähdytysaukkojen kautta ja vaurioittaa generaattorin käämejä.

## Generaattorin huolto, jatkoa

Puhdista generaattorin ulkopinnat kostealla liinalla. Poista lika ja öljy pehmeällä harjalla. Puhdista lika ja roskat generaattorista kompressorilla (25 PSI). Tarkasta kaikki tuuletusaukot ja jäähdytysaukot varmistaaksesi, että ne ovat puhtaat ja esteettömät.

## Varastointi

Generaattori on käynnistettävä vähintään kerran 14 päivässä ja annettava käydä vähintään 20 minuutin ajan. Noudata näitä ohjeita pidempään varastoitaessa.

## Generaattorin varastointi

- Lisää oikeaa polttoainetta säiliöön.
- Varmista, että kaikki laitteet on irrotettu generaattorista.
- Käytä generaattoria muutama minuutti, jotta käsitelty polttoaine ehtii kiertää polttoainejärjestelmän ja kaasuttimen läpi.
- Käännä polttoaineventtiili OFF-asentoon.
- Anna generaattorin käydä, kunnes polttoaineen puute on pysäyttänyt moottorin. Tämä kestää yleensä muutaman minuutin.
- Generaattorin täytyy jäähtyä täysin ennen puhdistamista ja varastointia.
- Irrota sytytystulpan korkki ja vedä sitten narun kahvaa 3 kertaa tyhjentääksesi bensiinin kaasuttimen suuttimista.
- Vaihda moottoriöljy.
- Irrota sytytystulppa ja kaada noin ruokalusikallinen öljyä sylinteriin. Kierrä moottoria hitaasti öljyn jakamiseksi tasaisesti ja sylinterin voitelemiseksi.
- Kiinnitä sytytystulppa takaisin.
- Säilytä laitetta puhtaassa, kuivassa paikassa, joka ei ole suorassa auringonvalossa.

### 

Generaattorin pakokaasu sisältää hajutonta ja väritöntä hiilimonoksidikaasua.

Seuraavia varotoimenpiteitä on noudatettava, jotta vältetään etäkäynnistysgeneraattorin vahingossa tapahtuva käynnistyminen varastoinnin aikana:

- Kun varastoit generaattoria lyhyemmän ajan varmistaa, että virta-avain, polttoaineventtiili ja akkukytin ovat OFF-asennossa.
- Kun varastoit generaattoria pidemmän ajan varmistaa, että virta-avain, polttoaineventtiili ja akkukytin ovat OFF-asennossa ja että akkukaapelit on irrotettu akusta.

Ongelma	Syy	Ratkaisu
Generaattori ei käynnisty	Ei polttoainetta	Lisää polttoainetta
	Viallinen sytytystulppa	Vaihda sytytystulppa
	Laitetta on ladattu käynnistyksen aikana	Poista laitteen kuormitus
Generaattori ei käynnisty. Generaattori käynnistyy, mutta käy karkeasti.	Öljyn määrä alhainen	Täytä kampikammio oikeaan tasoon Sijoita generaattori tasaiselle alustalle
	Rikastin on väärässä asennossa	Säädä rikastinta
	Sytytystulpan johdin löysällä	Kiinnitä johdin sytytystulppaan
Generaattori ei käynnisty etänä	Etäohjaimen akku on tyhjä	Vaihda etäohjaimen akku
	Generaattorin akku on tyhjä	Lataa generaattorin akku
	Akkukytkin on OFF-asennossa	Käännä akkukytkin ON-asentoon.
Generaattori ei käynnisty sähköisesti	Generaattorin akku on tyhjä	Lataa generaattorin akku
	Akkukytkin on OFF-asennossa	Käännä akkukytkin ON-asentoon.
Generaattori sammuu kesken käytön	Polttoaine lopussa	Täytä polttoainesäiliö
	Öljyn määrä alhainen	Täytä kampikammio oikeaan tasoon. Sijoita generaattori tasaiselle alustalle
Generaattori ei pysty toimittamaan tarpeeksi virtaa tai ylikuumenee	Generaattori on ylikuormittunut	Tarkista kuorma ja säädä. Lue "Virranhallinta"
	Ilmankierto ei riitä	Tarkista ilmankierron esteet. Siirrä hyvin tuuletettuun tilaan
Ei vaihtovirtasyöttöä	Kaapeli on väärin kytketty	Tarkista kaikki liitännät
	Liitetty laite on viallinen	Vaihda viallinen laite
	Vikavirtasuoja on avoinna	Kuittaa vikavirtasuoja
	Johdotus löysällä	Tarkista ja kiristä johtoliitokset
	Muu	Ota yhteys tukeen
Toistuva vikavirtasuojan laukeaminen	Ylikuorma	Tarkista kuorma ja säädä. Lue "Virranhallinta"
	Vialliset johdot tai laite	Tarkista vaurioiden, paljaiden tai kuluneiden johtojen varalta. Vaihda viallinen laite

## Langaton (etä)ohjain

Tämä generaattori on varustettu langattomalla kaukosäätimellä käynnistystä ja pysäyttämistä varten.

Järjestelmä koostuu neljästä (4) pääkomponentista:

- Vastaanottomoduuli (RCM)
- Langaton (etä)ohjain
- Akkukytkin (painike)
- Virtakytkin (painike)

Sekä virta- että akkukytkin on kytkettävä päälle, jotta kaukosäätimen toiminnot toimivat. Käynnistä generaattori painamalla kerran Start-painiketta.

Moottori yrittää käynnistyä kuusi kertaa. RCM kytkee automaattirikastimen päälle. Jos generaattori ei käynnisty, ota yhteys paikalliseen jälleenmyyjään.

Pysäytä generaattori painamalla kerran Stop-painiketta.

## Etäohjaimen tehotoiminto

Jos virtakytkin (painike) jätetään päälle, akku voi tyhjentyä kokonaan. Akun tyhjenemisen estämiseksi käännä sekä virta- että akkukytkin OFF-asentoon.

## Virtapaneelin kuormituksen hallinta

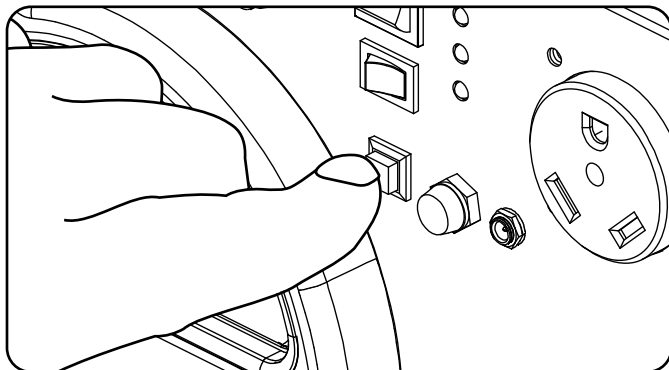
Käynnistäessäsi generaattoria kaukosäätimellä huomioi 15 sekunnin viive ennen kuin virtapaneeli on toiminnassa. Kun käytät kaukosäädintä generaattorin pysäyttämiseen, virtapaneeli sammuu heti, ja moottori seuraa 5 sekuntia myöhemmin. On/off -jänniteviive käynnistyksen ja sammutuksen yhteydessä tapahtuu vain kaukosäädintä käytettäessä. Käytettäessä joko sähkökäynnistyspainiketta tai vetokäynnistystä käyttäjän on varmistettava, että kaikki sähkökuormat (laitteet) sammutetaan käynnistyksen ajaksi. Muutoin generaattori tai siihen liittyvät laitteet voivat vaurioitua.

# SÄÄTIMET JA OMINAISUUDET

## Langaton asetuspainike

Langaton asetuspainike on ominaisuus, jonka avulla käyttäjä voi synkronoida kaukosäätimet generaattoriin. Voit asettaa kaksi kaukosäädintä tai nollata kaukosäätimen generaattorilla. Voit nollata kaukosäätimen tai synkronoida kaksi kaukosäädintä seuraavasti:

1. Käännä virta-avain ON-asentoon.
2. Käännä akkukytkin ON-asentoon.
3. Paina ja pidä langatonta asetuspainiketta punaisen valon vieressä (etupaneelissa) noin kolmen sekunnin ajan; punainen valo syttyy.
4. Paina kaukosäätimen STOP-painiketta ja vapauta se. Punainen valo vilkkuu kerran etäohjelman poistamiseksi.
5. Paina ja vapauta START-painike. Punainen valo vilkkuu kerran etäohjelmointia varten.
6. Pidä ohjelmointipainiketta painettuna noin kolme sekuntia, kunnes punainen valo sammuu.
7. Testaa Start & Stop-ominaisuudet



### NOTE

Vain kaksi kaukosäädintä voi olla yhden generaattorin käytössä kerrallaan.

### NOTE

Kaukosäätimen akun vaihtaminen ei välttämättä edellytä, että käyttäjä nollaa kaukosäätimen.

## Rinnakkaiskäyttö

Kahta (2) Champion-mallia voidaan käyttää samanaikaisesti kokonaistuoton lisäämiseksi. Rinnakkaiskäyttöä varten tarvitaan Champion-rinnakkaisarja (lisävaruste).  
[www.championpowerequipment.eu](http://www.championpowerequipment.eu)

Yksityiskohtaiset ohjeet kytkettyjen generaattoreiden rinnakkaisasennuksesta ovat sarjan omistajan käsikirjassa ja käyttöohjeissa.

## SISSEJUHATUS

Õnnitleme Champion Power Equipment (CPE) toote ostmise puhul. CPE kujundab, valmistab ja toetab kõiki tooteid rangete tehniliste andmete ja juhiste järgi. Nõuetekohaste teadmiste, ohutu kasutamise ja korrapärase hoolduse korral peaks see toode teid pikaajaliselt rahuldama.

Tehtud on kõik endast olenev, et tagada käesolevas juhendis sisalduva teabe täpsus ja täielikkus avaldamise ajal ning me jätame endale õiguse muuta või täiustada toodet ja käesolevat dokumenti igal ajal ilma ette teatamata.

CPE hindab kõrgelt seda, kuidas meie tooted on disainitud, toodetud, käitatavad ja hooldatud ning pakkudes ohutust nii operaatorile kui ka generaatori ümbruses olevatele inimestele. Seetõttu on oluline põhjalikult läbi lugeda see kasutusjuhend ja muud tootematerjalid ning olla teadlik montaažist, toimimisest, ohtudest ja hooldusest enne toote kasutamist. Tutvuge täielikult ise ja veenduge, et ka teised, kes plaanivad toodet kasutada, teaksid ohutusnõudeid ja tööpõhimõtteid enne igat kasutamist. Alati kasutage tervet mõistust ja opereerige masinat ettevaatlikult, et vältida õnnetusi, vigastusi ja varakahjustusi. Soovime, et oleksite oma CPE tootega igati rahul ja jätkaksite selle kasutamisega veel aastaid.

Küsimuste korral CPE poole pöördudes, peate esitama oma toote täieliku mudeli ja seerianumbri. Kirjutage oma toote nimesildil olev teave allolevasse tabelisse

<b>CPE TEHNILINE TUGI</b>
<b>MUDELI NUMBER</b>
<b>SEERIANUMBER</b>
<b>OSTUKUUPÄEV</b>
<b>OSTU ASUKOHT</b>

## OHUTUSE MÕISTED

Ohutussümbolite eesmärk on juhtida teie tähelepanu võimalikele ohtudele. Ohutussümbolid ja nende selgitused nõuavad teie hoolikat tähelepanu ja mõistmist. Ohutushoiatused ei kõrvalda iseenesest mingit ohtu. Kirjeldatud juhised või hoiatused ei asenda nõuetekohaseid õnnetuste vältimise meetmeid.

### OHT

OHT tähistab ohtlikku olukorda, mille vältimise korral võib see põhjustada surma või raskeid vigastusi.

### HOIATUS

HOIATUS tähistab potentsiaalselt ohtlikku olukorda, mille vältimise korral võib tagajärjeks olla surm või tõsine vigastus.

### ETTEVAATUST

ETTEVAATUST tähistab potentsiaalselt ohtlikku olukorda, mille vältimine võib põhjustada kergeid või mõõdukaid vigastusi.

### TEATIS

TEATIS näitab teavet, mida peetakse oluliseks, kuid mitte ohtlikuks (nt varalise kahjuga seotud sõnumid).

## TÄHTSAD OHUTUSJUHISED

### ⚠ OHT

Generaatori heitgaasid sisaldavad süsinikmonoksiidi, värvitut ja lõhnatut mürkgaasi. Süsinikmonoksiidi sissehingamine põhjustab iiveldust, pearinglust, minestust või surma. Kui teil hakkab pea ringi käima või tunnete end nõrgalt, minge kohe värske õhu kätte.

### KASUTAGE GENERAATORIT VÄLJAS AINULT HÄSTI VENTILEERITUD KOHAS JA SUUNAKE HEITGAASID EEMALE.

ÄRGE kunagi kasutage generaatorit mis tahes hoones, sealhulgas garaazides, keldrites, tunnelites ja varjualustes, kambrites või ruumides, sealhulgas rahvarohketes kohtades.

VÄLTIGE heitgaaside sattumist kinnistesse ruumidesse akende, uste, tuulutusavade või muude avade kaudu.

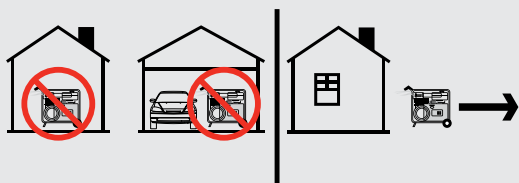
ÄRGE lisage või paigaldage sellele generaatorile summutit/heitgaasitoru või filtreerimissüsteemi, kuna siis tühistatakse kõik antud garantiid.

### ⚠ OHT

Generaatori kasutamine siseruumides või mis tahes kinnistes ruumides **VÕIB TEID MÕNE MINUTIGA TAPPA**. Generaatori väljalase sisaldab süsinikmonoksiidi. See on mürk, mida te ei näe ja mille lõhna te ei tunne.

**ÄRGE KUNAGI** kasutage masinat hoonete või sõidukite sees, **ISEGI KUI** ukсед ja aknad on avatud.

Kasutage **AINULT ÕUES** ja kaugel akendest, udest ja tuulutusavadest.



Paigaldage patareiga süsinikmonoksiidi andurid või tagavaraaku pistikmonoksiidi andurid vastavalt tootja juhistele.

### ⚠ HOIATUS

Kuigi generaator sisaldab sädemepüüdjat, säilitage minimaalne kaugus 5 jalga. (1,5 m) kuivast taimestikust tulekahjude vältimiseks.

### ⚠ OHT

Kasutage seadmeid, millele on kohaldatud kaitsevahendid.

Käed, jalad, juuksed, riided ja tarvikud võivad takerduda pöörlevatesse osadesse. Tulemuseks võib olla traumaatiline amputatsioon või raske rebenemine.

Hoidke käed ja jalad pöörlevatest osadest eemal.

Siduge pikad juuksed kokku ja eemaldage ehted.

ÄRGE kandke lahtiseid ja rippuvaid riideid või esemeid, mis võivad kinni jääda.

### ⚠ OHT

Generaator toodab võimsat pinget.

ÄRGE puudutage lahtiseid juhtmeid ega pistikupesasid.

ÄRGE kasutage kulunud ega kahjustatud elektrijuhtmeid. Nõuetekohaseks kasutamiseks kasutage ainult Champion elektrijuhtmeid.

ÄRGE kasutage generaatorit märja ilmaga, sh vihma ja lumega.

ÄRGE lubage lastel või kvalifitseerimata isikutel generaatorit kasutada või hooldada.

Kasutage maandusvoolukatkestajat (GFCI) niisketes ruumides ja ruumides, mis sisaldavad elektrit juhtivat materjali, nagu näiteks metallplaadid. Tuleb paigaldada eraldi.

Teie kodu elektrisüsteemiga ühendamiseks on vaja loetletud 100A ülekandelülitit, mille on paigaldanud litsentseeritud elektrik ja mille on heaks kiitnud kohalik omavalitsus. Ühendused peavad eraldama generaatori voolu elektrivõrgust ning vastama kõigile kohaldatavatele seadustele ja eeskirjadele.

### ⚠ HOIATUS

Ärge kasutage generaatorit meditsiinilistel ja elutegevust toetavatel seadmetel.

Hädaolukorras helistage kohe hädaabiteenistusele.

Ärge kunagi kasutage seda toodet elustamisaparatuuride või elustamisvahendite toiteallikana.

Ärge kunagi kasutage seda toodet meditsiiniseadmete ja meditsiini aparatuuride toiteks.

Teavitage viivitamatult oma elektritarnijat, kui teie või kellegi teie leibkonnaliikme elu sõltub elektriseadmetest.

Teavitage viivitamatult oma elektritarnijat, kui voolukatkestus põhjustab teile või mõnele teie leibkonnaliikmele hädaabi.



### HOIATUS

Süüteküünla juhtme eemaldamisel võib tekkida säde, mis võib põhjustada tulekahju või elektrilöögi.

#### **Generaatori hooldamisel:**

Ühendage süüteküünla juhe lahti ja asetage see nii, et see ei saaks süüteküünlaga kokku puutuda.

ÄRGE kontrollige voolu olemasolu eemaldatud pistikuga.

Kasutage ainult heakskiidetud süüteküünla testereid.

### HOIATUS

Töötavad mootorid toodavad soojust. Kokkupuutel võivad tekkida rasked põletused. Kergestisüttiv materjal võib kokkupuutel süttida.

ÄRGE puudutage kuumasid pindu nagu mootor või väljalaske summuti.

Vältige kokkupuudet kuumade heitgaasidega.

Laske seadmel enne puudutamist vähemalt 30 minutit jahtuda.

Hoidke vähemalt 3 jalga (91,4 cm) ruumi igast küljest, et tagada piisav jahutus.

Hoidke vähemalt 5 jalga (1,5 m) kaugust kergestisüttivatest materjalidest.

### HOIATUS

Käivitusnööri tagasitõmbamine võib kätt kiiremini mootori poole tagasi tõmmata, kui olete suuteline lahti laskma. Ebateadlik käivitamine võib põhjustada käe takerdumist, traumaatilist amputatsiooni või rebenemist. Tulemuseks võivad olla luumurrud, mõrad, verevalumid või nihestused.

Mootori käivitamisel tõmmake tagasitõmbenööri aeglaselt, kuni tunnete vastupanu, vabastage juhe aeglaselt, ning kasutage ühte tugevat kiiret tõmmet, et vältida tagasilööki. Kui mootor ei käivitu, korra protsessi. Ärge tiri käivitusnööri liiga jõuliselt, seda tehes kahjustate mehhanismi ja tühistate garantii.

ÄRGE käivitage ega peatage mootorit, kui sellega on ühendatud elektriseadmed.

### ETTEVAATUST

Generaatori töövõimsuse ületamine võib kahjustada generaatorit ja/või sellega ühendatud elektriseadmeid.

ÄRGE koormake generaatorit üle.

ÄRGE muutke reguleeritud kiirust.

ÄRGE muutke generaatorit mingil viisil.

ÄRGE lisage ega paigaldage sellele generaatorile summutit/ heitgaasitoru või filtreerimissüsteemi

### ETTEVAATUST

Käivitage generaator ja laske mootoril stabiliseeruda enne elektriliste koormuste ühendamist.

Ühendage elektriseadmed väljalülitatud asendis ja seejärel lülitage need tööks sisse.

Enne generaatori peatamist lülitage elektriseadmed välja ja ühendage need lahti.

### ETTEVAATUST

Generaatori ebaõige modifitseerimine või kasutamine võib seda kahjustada, lühendada selle eluiga või tühistada garantii.

Kasutage generaatorit ainult ettenähtud otstarbeks.

Kasutage ainult tasastel, ühtlastel pindadel.

Hoidke generaatorit liigse niiskuse, tolmu, mustuse ja vee eest.

ÄRGE laske ühelgi materjalil blokeerida jahutusavasid.

Kui ühendatud seadmed kuumenevad üle, lülitage need välja ja ühendage generaatorist lahti.

#### **ÄRGE kasutage generaatorit, kui:**

- Elektriline väljund on kadunud
- Seadmetest tuleb sädemeid, suitsu või leeki
- Seade vibreerib liigselt

## Kütuse ohutus

### OHT

**BENSIIN JA BENSIINIAURUD ON VÄGA TULE- JA PLAHVATUSOHTLIKUD.**

Tulekahju või plahvatus võib põhjustada raskeid põletusi või surma.

### **Bensiini ja bensiini aurud:**

- Bensiin on väga tule- ja plahvatusohtlik.
- Bensiin võib süütamisel põhjustada tulekahju või plahvatus.
- Bensiin on vedel kütus, kuid selle aurud võivad süttida.
- Bensiin on nahka ärritav ja see tuleb kohe ära puhastada, kui see satub nahale või riidele.
- Bensiinil on iseloomulik lõhn, mis aitab võimalikke lekkeid kiiresti avastada.
- Bensiin paisub või tõmbub kokku vastavalt ümbritsevale temperatuurile. Ärge kunagi täitke bensiinipaaki ääreni täis, sest bensiin vajab temperatuuri tõustes ruumi paisumiseks.
- Bensiinipõlengu korral ei tohi leeke kunagi kustutada, enne kui kütusevarustus on välja lülitatud. Seda seetõttu, et võib tekkida plahvatusoht.

### **Bensiini lisamisel või eemaldamisel:**

ÄRGE süüdake lahtist tuld ega suitsetage sigarette generaatori lähedal.

Enne bensiinikorgi eemaldamist lülitage generaator alati välja ja laske vähemalt 30 minutit jahtuda. Pärast seda vabastage bensiinikork, et bensiinipaagist rõhk välja lasta.

Täitke või tühjendage bensiini ainult väljas, hästi ventileeritud kohas. ÄRGE kunagi proovige tankida siseruumides.

ÄRGE pumbake bensiini otse generaatorisse bensiinjaamas. Bensiini transportimiseks generaatorisse kasutage alati heakskiidetud kütusemahutit.

ÄRGE täitke bensiinipaaki üle.

Hoidke bensiini alati eemal sädemetest, lahtisest leegist, signaallampidest, kuumusest ja muudest süttimisallikatest.

### **Generaatori käivitamisel:**

ÄRGE üritage kahjustatud generaatorit käivitada.

Alati veenduge, et gaasikork, õhufilter, süüteküünal, kütusevoolikud ja väljalaskesüsteem on korralikult paigas.

Enne mootori käivitamist laske alati välja voolanud bensiinil täielikult aurustuda.

Veenduge, et generaator seisab kindlalt tasasel pinnal.

### **Generaatori kasutamisel:**

Ärge liigutage ega kallutage generaatorit töö ajal.

ÄRGE kallutage generaatorit ega laske kütusel või õilil välja voolata.

### **Generaatori transportimisel või hooldamisel:**

Veenduge, et kütuseklapp on asendis OFF ja bensiinipaak on tühi.

Ühendage süüteküünla juhe lahti.

### **Generaatori ladustamisel:**

Hoidke eemal sädemetest, lahtisest leegist, signaallampidest, kuumusest ja muudest süüteallikatest.




Ärge hoidke generaatorit ja bensiini ahjude, veeboilerite või muude soojusttekitavate või automaatse süütega seadmete läheduses.

### **⚠ HOIATUS**

Ärge kunagi kasutage bensiinimahutit, bensiinipaaki või muud kütuseelementi, mis on purunenud, pragunenud, mõlkinud või muul moel kahjustatud.

## Ohutussümbolid

Selle toote peal võidakse kasutada mõnda järgmistest sümbolitest. Palun uurige ja õppige nende tähendusi. Nende sümbolite nõuetekohane tõlgendamine võimaldab teil toodet ohutumalt kasutada.

SÜMBOL	TÄHENDUS
	<b>Ettevaatust.</b>
	<b>Enne kasutamist lugege Operaatori Kasutusjuhendit.</b> Vigastusohu vähendamiseks peab operaator enne selle toote kasutamist kasutusjuhendi läbi lugema ja sellest aru saama.
	<b>Ei ole mõeldud üldiseks jäätmekäitluseks.</b>
	Generaatorit ei tohi ühendada teiste toiteallikatega, näiteks elektrivõtte toitevõrguga.
	<b>Elektriline oht.</b> Märkades tingimustes kasutamine ja ohtlike tavade järgimine võib põhjustada elektrilöögi. Ebaõiged ühendused hoonega võivad võimaldada voolul tagasivoolu elektriliinidesse, tekitades elektrilöögi ohu. Hoonega ühendamisel tuleb kasutada ülekandelülitit.
	<b>Tuleoht.</b> Kütus ja kütuseaurud on väga tule- ja plahvatusohtlikud. Tulekahju või plahvatus võib põhjustada raskeid põletusi või surma. Hoidke generaator vähemalt 5 jalga (1.5m) kaugusel teistest esemetest, et vältida põlemist.
	<b>Põletada saamise oht.</b> Vigastuste või kahjustuste ohu vähendamiseks vältige kokkupuudet kuuma pinnaga.
	<b>Süsinikmonoksiidi (CO) oht.</b>
	<b>Märkade tingimuste hoiatus.</b> Ärge kasutage vihmastes, niisketes oludes, välja arvatud juhul: Kui peate töötama vihmast või niisketes kohtades, ÄRGE kasutage generaatorit ilma elektriliste komponentide nõuetekohaste kaitsmeteta. Kasutada võib tulekindlat turvakatet, mis tagab mootori heitgaasivoolule korraliku õhuventilatsiooni. Hoidke alati kõik objektid vähemalt 5 jalga (1,5 m) generaatorist eemal. Summutist ja heitgaasitorust tulenev kuumus võib sütitada kergestisüttivaid materjale.

## JUHTNUPUD

### Juhtmevaba kaugjuhtimispult (valitud mudelid)

See generaator on käivitamiseks ja peatamiseks varustatud juhtmevaba kaugjuhtimissüsteemiga. Süsteem koosneb (4) põhikomponentidest:

- Vastuvõtja juhtmoodul (RCM)
- Juhtmevaba kaugjuhtimispult
- Aku lüliti (nupp)
- Süütelüliti (nupp)

Nii süütelüliti kui ka aku lüliti tuleb sisse lülitada, et kaugjuhtimispuldi funktsioonid töötaksid. Generaatori käivitamiseks vajutage üks kord nuppu „start“. Mootor üritab käivituda kuni 6 korda. RCM tegeleb automaatse õhuklapiga. Kui generaator ei käivitu, siis helistage kohalikule edasimüüjale. Generaatori peatamiseks vajutage üks kord nuppu „stop“.

### Kaugjuhtimispuldi toitefunktsioon

Kui süütelüliti (nupp) jääb sisse, siis aku võib täiesti tühjaks joosta. Aku tühjenemise vältimiseks lülitage nii süütelüliti kui ka aku lüliti välja.

### Toitepaneeli koormuse haldamine

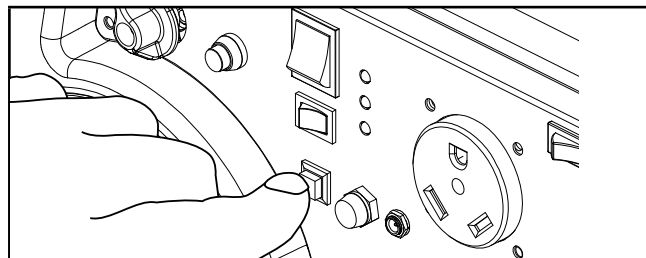
Generaatori käivitamisel kaugjuhtimispuldiga tekib 15 sekundiline viivitus enne toitepaneeli tööle hakkamist. Kui kasutate generaatori peatamiseks kaugjuhtimispulti, lülitub toitepaneel välja kohe, mootor aga 5 sekundit hiljem. Käivitamisel ja peatamisel tekib sisse/välja lülitamise viivitus ainult kaugjuhtimispuldi kasutamisel. Nii elektrilise kui ka käsitsi käivituse puhul peab operaator tagama, et kõik elektrilised koormused (seadmed) on käivitamise ja sulgemise ajal välja lülitatud. Selle eiramine võib kahjustada nii generaatorit, kui ka lisatud seadmeid.

### Juhtmevaba seadistusnupp

Juhtmevaba seadistusnupp on funktsioon, mis võimaldab kasutajal sünkroonida kaugjuhtimispuldi generaatoriga. Generaatori abil saab seadistada kuni kaks kaugjuhtimispulti või kaugjuhtimispulti lähtesdada. Kaugjuhtimispuldi lähtestamiseks või kahe kaugjuhtimispuldi sünkroonimiseks toimige järgmiselt:

1. Lükake süütelüliti (Ignition) asendisse „ON“.
2. Lükake aku lüliti (Battery) asendisse „ON“.
3. Vajutage ja hoidke juhtmevaba seadistamise nuppu punase tule kõrval (asub esipaneelil) ligikaudu kolm sekundit; punane tuli lülitub sisse.
4. Vajutage ja vabastage kaugjuhtimispuldi „STOP“ nupp. Punane tuli vilgub üks kord, mis viitab kaugprogrammi kustutamisele.

5. Vajutage ja vabastage nupp „START“. Kaugjuhtimispuldi programmeerimisel vilgub punane tuli üks kord.
6. Vajutage ja hoidke programmeerimisnuppu umbes kolm sekundit all, kuni punane tuli välja lülitub.
7. Testi Start & Stop funktsioone



### TEATIS

Ühe generaatoriga saab korraga sünkroonis olla ainult kaks kaugjuhtimispulti.

### TEATIS

Kaugjuhtimispuldi aku vahetamine ei pruugi kasutajalt nõuda kaugjuhtimispuldi lähtestamist.

## KOKKUPANEK

Teie generaator nõuab mõningast kokkupanekut. See seade saadetakse meie tehastest ilma õlita. Enne kasutamist tuleb seda nõuetekohaselt kütuse ja õliga hooldada.

### Lahtipakkimine

8. Asetage transpordikarp kindlale, tasasele pinnale.
9. Eemaldage karbist kõik peale generaatori.
10. Kasutades seadme kandekäepidemeid, võtke generaator ettevaatlikult karbist välja (soovitav on tõsta kahe inimesega).

### Aku ühendamine (elektrilise käivitusega mudelid)

1. Eemaldage aku hoolduskattelt kruvikeeraja abil kaks (2) hoolduskatte kruvi.
2. Kui kruvid on eemaldatud, saab kaane kummist tõmbeklappi välja tõmmata, et soodustada hoolduskatte lahti saamist ja eemaldamist. (A)
3. Eemaldage aku hoolduskatte. (A)
4. Lõika läbi kaablisid, mis seob akukaableid kokku.
5. Kruvikeerajaga keerake aku punase positiivse (+) klemmi aku polt lahti.
6. Ühendage punane, positiivne (+) juhe poldi abil aku positiivse (+) klemmi külge.

- Tõmmake kummist ümbris üle aku kaabliühenduse ja aku klemmi.
- Korrake samme 5-7 musta, negatiivse (-) akujuhtme ja musta, negatiivse (-) akuklemmi jaoks.

## TEATIS

Kui aku kaablid ei ole pärast aku hoolduskatte eemaldamist nähtavad, arvestage, et kaablid võivad olla aku kohal, mitte koheselt nähtaval.

## Mootoriõli lisamine



## ⚠ ETTEVAATUST

ÄRGE üritage mootorit käivitada enne, kui see on eelnevalt täidetud õiget tüüpi ja õiges koguses õliga. Nende juhiste eiramise tagajärjel generaatorile tekitatud kahju muudab teie garantii kehtetuks.

## TEATIS

Generaatori rootoril on kinnine, eelmääritud kuullaager, mis ei vaja laagri eluea jooksul täiendavat määret.

## TEATIS

Soovitatav õli tüüp tavaliseks kasutamiseks on **Champion PowerX 10w30 õli**.

Generaatorit äärmuslikel temperatuuridel kasutades, vaadake järgmist diagrammi soovitatud õli tüübi jaoks.

## ⚠ ETTEVAATUST

ÄRGE kallutage ega täitke generaatorit üle, muidu põhjustab see mootori jõudluse halvenemist ja (või) kahjustada mootorit, mille tulemuseks on garantii tühjendamine.

Recommended Oil Type / Tipo de aceite recomendado / Type d'huile recommandé	
10W-30	
5W-30	10W-40
5W-30 Synthetic / Sintético / Synthétique	
°F	-20    0    20    40    60    80    100    120
°C	-28.9   -17.8   -6.7   4.4   15.6   26.7   37.8   48.9
Ambient temperature / Temperatura ambiente / Température ambiante	

- Asetage generaator tasasele ja ühtlasele pinnale.
- Vabastage katte kinnitused ja eemaldage hoolduskate.

- Õli lisamiseks eemaldage õlikork/õlimõõtevarras.
- Kasutades lehrtrit lisage õli ja asetage kork/mõõtevarras tagasi. ÄRGE TÄITKE ÜLE.
- Kontrollige mootoriõli taset iga päev ja lisage seda vastavalt vajadusele.

## TEATIS

Kui õli on lisatud, peaks visuaalne kontroll näitama, et õli on umbes 1-2 kerme kaugusel täitmisavast.

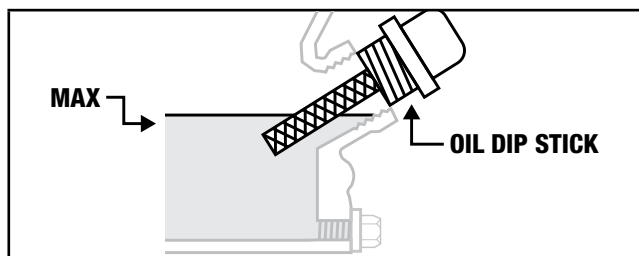
Kui kasutate õlitase kontrollimiseks mõõtevarrast, ÄRGE keerake seda kontrollimise ajaks sisse. Üldreeglina, tasasel pinnal on õlitase normis, kui see ulatub täitetoru keskmise vindini. Ärge täitke üle, vastasel juhul halveneb mootori jõudlus ja (või) kahjustatakse mootor.

## TEATIS

Sissetöötamisperioodi ajal kontrollige õli sagedasti. Soovituslikke hooldustähtaegu vt jaotisest Hooldus.

## ⚠ ETTEVAATUST

See mootor on varustatud madala õlitase sulguriga, mis peatab mootori, kui karteri õlitase langeb alla künnise.







## TEATIS

Me loeme esimesed 5 tundi tööaega seadme sissetöötamisperioodiks. Sissetöötamisperioodi ajal püsige 50% koormuse juures või alla selle ja muutke aeg-ajalt koormust, et staatori mähised saaksid kuumeneda ja jahtuda. Koormuse reguleerimine põhjustab ka mootori pöörlemiskiiruse muutumist ja aitab kolvirõngastel kohale asetuda. Pärast 5-tunnist sissetöötamisperioodi vahetage õli.

## TEATIS

Sünteetilist õli võib kasutada pärast 5-tunnist esialgset sissetöötamisperioodi. Sünteetilise õli kasutamine ei pikenda soovitatud õlivahetusintervalli. Täissünteetiline 5W-30 õli aitab käivitada külmas keskkonnas <41° F (5° C)

## Kütuse lisamine (E5 või E10)

Kasutage puhast, värsket, tavalist pliivaba bensiini, mille miinimum oktaanarv on 85 ja mille etanoolisisaldus on kuni 10% kogumahust.    

ÄRGE segage õli kütusega.

1. Eemaldage bensiini kork.
2. Lisage aeglaselt kütust paaki. ÄRGE TÄITKE ÜLE. Bensiin võib pärast täitmist paisuda. Vähemalt ¼ tolli (6,4 mm) ruumi on vaja jätta paaki bensiini paisumiseks, kuigi rohkem kui ¼ tolli (6,4 mm) on soovitatav. Ületäitmise korral võib bensiin paisumise tagajärjel paagist välja tungida ja mõjutada generaatori stabiilset tööseisundit.
3. Keerake bensiinikorki kinni, kuni kuulete „klõpsuvat“ heli. Pühkige väljavoolanud kütus lapiga puhtaks.

### ETTEVAATUST

Kasutage pliivaba bensiini, mille minimaalne oktaanarv on 85 ja mille etanoolisisaldus on kuni 10% kogumahust.

Kütusepaagi täitmisel ÄRGE süüdake sigarete ega suitsetage.

ÄRGE segage õli ja bensiini. See on neljatakiline mootor ning vajab eraldi õli ja kütust.

ÄRGE täitke paaki üle. Täitke paak umbes ¼ tollini (6,4 mm) allpool paagi ülemist osa, et võimaldada bensiini paisumist.

ÄRGE pumbake bensiini otse generaatorisse bensiinijaamas. Bensiini transportimiseks generaatorisse kasutage alati heakskiidetud kütusemahutit.

ÄRGE täitke paaki siseruumides, hoonetes ja sõidukites.

ÄRGE täitke paaki, kui mootor töötab või kuum. Laske sellel jahtuda vähemalt 30 minutit.

### HOIATUS

Kui bensiini valatakse liiga kiiresti, võib bensiin täitmisel pritsida generaatorile ja operaatorile.

## TEATIS

Generaatori mootor töötab hästi 10% või vähem etanooliga segatud bensiiniga. Etanooli ja bensiini segude kasutamisel on mõned probleemid, mida tasub tähele panna:

- Etanooli ja bensiini segud võivad absorbeerida rohkem vett kui puhas bensiin.
- Need segud võivad lõpuks eralduda, jättes paaki, kütuseventiili ja karburaatorisse vett või vesist lima. Kahjustatud bensiin võib sattuda karburaatorisse ja põhjustada mootorikahjustusi ja/või võimalikke ohte.
- Kui kasutatakse kütuse stabilisaatorit, siis veenduge, et see on mõeldud toimima ka etanoolist ja bensiinist valmistatud segudega.
- Tootja garantii ei hõlma mis tahes kahjustusi või ohte, mis on põhjustatud ebasobiva bensiini kasutamisest, valesti ladustatud bensiinist ja/või valesti valmistatud stabilisaatorite kasutamisest.

Pärast igat kasutamist on soovitatav alati sulgeda bensiinivarustus ja lasta mootoril tühjaks joosta. Pikemaajalise mittekasutamise korral vaadake Ladustamise juhiseid.

## Maandus

Teie generaator peab olema korralikult ühendatud maandusega, et vältida elektrilööki.

### HOIATUS

Kui generaator ei ole korralikult maandatud, võib see põhjustada elektrilöögi.

Varustatud on generaatori raamiga ühendatud maandusklemm. Kaugmaandamiseks ühendage suuregabriidiline (vähemalt 12 AWG) vasktraat generaatori maandusklemmide ja maapinnale paigaldatud vaskvarda vahele. Soovitame tungivalt konsulteerida kvalifitseeritud elektrikuga, et tagada vastavus kohalikele elektriseadustikele.

### Neutraal maandus\*

- Vooluring **EI OLE** elektriliselt ühendatud generaatori raami/ generaatori põhjaga.
- Generaator (staatori mähis) on isoleeritud raamist ja vahelduvvoolu maandatud pistikupesast.
- Elektriseadmed, mis nõuavad maandatud pistikupesa ühendust, ei tööta, kui pistikupesa maanduskontakt ei tööta.

### Neutraal on raamiga seotud\*

- Vooluring **ON** elektriliselt ühendatud generaatori raami/ generaatori põhjaga.

- Generaatorisüsteemi maandus ühendab alumise raami risttala generaatori all. Süsteemi maandus on ühendatud AC vahelduvvoolu neutraalse juhtmega.

\* Teatud tüüpi maanduse kohta vaadake jaotist Tehnilised andmed.

## TOIMINGUD

### Generaatori asukoht

#### HOIATUS

ÄRGE kunagi kasutage generaatorit mis tahes hoones, sealhulgas garaažides, keldrites, tunnelites, kambrites ja varjualustes, sealhulgas rahvarohketes kohtades.

ÄRGE kunagi kasutage ega käivitage generaatorit maasturite, haagiste, veoautode tagakülgedel, treppide, seinte või hoonete kõrval või muus kohas, mis ei võimalda generaatori piisavat jahutamist ega heitgaasi nõuetekohast väljutamist summuti süsteemist.

ÄRGE kasutage ega hoidke generaatorit niisketes ilmastikutingimustes, näiteks vihma või lume käes. Generaatori kasutamine niisketes tingimustes võib elektrilöögi ohu tõttu põhjustada tõsiseid vigastusi või isegi surma.

Mõnes riigis peavad generaatorid olema registreeritud kohaliku kommunaalteenuse osutaja juures, kui neid kasutatakse ehitusplatsidel. Neile võidakse kohaldada täiendavaid eeskirju ja määrusi, seega konsulteerige oma kohaliku omavalitsusega.

Generaatorid peavad alati (ka töövälisel ajal) olema tasasel ja ühtlasel pinnal.

Generaatorid peavad olema vähemalt 1,5 m (5 jalga) kaugusel kergesti süttivatest materjalidest.

Generaatoritel peab olema vähemalt 3 jalga (91,4 cm) vaba ruumi igast küljest, et tagada piisav jahutamine, juurdepääs hoolduseks ja teeninduseks.

Alati asetage generaator hästi ventileeritud kohta. ÄRGE paigutage generaatorit ventilatsioonivõrkude või sisselaskevõrkude lähedusse, kust heitgaasid võivad sattuda kinnistesse ruumidesse.

Generaatori paigutamisel arvestage hoolikalt tuule ja õhuvooludega.

Laske generaatoritel enne transportimist või ladustamist korralikult jahtuda.

Nõuetekohaste ohutusnõuete eiramine võib põhjustada vigastusi, generaatori kahjustamist ja tootja garantii tühistamist.

#### HOIATUS

Ärge kasutage ega hoiustage generaatorit vihma, lume või märja ilmaga.

Generaatori või elektriseadme kasutamine niisketes tingimustes, näiteks vihma või lume korral või basseini või vihmuti lähedal või kui teie käed on märjad, võib põhjustada elektrilöögi.

#### HOIATUS

Töötamise ajal muutuvad nii summuti kui ka tekkivad heitgaasid kuumaks. Kui puudub piisav jahutusruum või kui generaator on blokeeritud või suletud, võib temperatuur väga kuumaks minna ja põhjustada tulekahju.

Ärge muutke ega paigaldage väljalasketoru summuti väljatõmbe pikendust, vastasel juhul võib see põhjustada mootori jõudluse halvenemist või isegi mootori kahjustamist.

### Liigpingekaitse

Elektroonikaseadmed, sealhulgas arvutid ja paljud teised programmeeritavad seadmed kasutavad komponente, mis on kavandatud töötama kitsas pingevahemikus ja mida võivad mõjutada hetkelised pingekõikumised. Kuigi pingekõikumisi pole võimalik vältida, võite võtta meetmeid tundlike elektroonikaseadmete kaitsmiseks.

- Paigaldage sertifitseeritud pistikühendusega liigpinge summutajad pistikupesadesse, mis toidavad teie tundlikke seadmeid. Liigpinge summutajad on saadaval ühe või mitme pistikupesaga. Need on loodud kaitsma peaaegu kõigi lühiajaliste pingekõikumiste eest.

### Mootori käivitamine:

#### Juhtmevaba kaugkäivitamine (valikuline funktsioon)

Juhtmevaba kaugkäivitamine on võimalik ainult 80 jala raadiuses generaatorist.

ÄRGE üritage õhuklapi reguleerida. Kaugsüsteem sulgub ja avab õhuklapi automaatselt.

1. Veenduge, et generaator on tasasel ja ühtlasel pinnal.
2. Ühendage kõik elektrilised koormused generaatorist lahti. ÄRGE käivitage ega peatage mootorit, kui sellega on ühendatud elektriseadmed.
3. Keerake bensiini kütuseklapp asendisse „ON“.
4. Keerake bensiini kütuseklapp asendisse „ON“.
5. Vajutage akulüliti (Battery) asendisse „ON“.
6. Vajutage mootori lüliti asendisse „ON“.

7. Vajutage ja vabastage kaugjuhtimispuldi „START“ nupp. ÄRGE hoidke nuppu all, vajutage nuppu ainult üks kord. Mootor üritab käivituda kuni 6 korda.

### TEATIS

Kui aku lüliti on asendis „ON“ ja akus on vool, siis tuluke põleb. Kui tuluke ei põle „ON“ asendis, kontrollige, et aku ühendus oleks endiselt korras.

### TEATIS

Kaasasolev 12 V aku laeb uuesti ka mootori töötamise ajal, kuid soovitatav on ka akut vähemalt kord kuus täis laadida või hooldada aku hooldajaga (ei kuulu komplekti), eriti kui generaatorit regulaarselt ei kasutata. Tavalistele tarnitavatele akudele kehtib 1-aastane garantii ja need ei kuulu pikendatud 3-aastase garantii hulka.

## Elektriline Käivitus (Mõned mudelid)

1. Veenduge, et generaator on tasasel ja ühtlasel pinnal.
2. Ühendage kõik elektrilised koormused generaatorist lahti. ÄRGE käivitage ega peatage mootorit, kui sellega on ühendatud elektriseadmed.
3. Keerake bensiini kütuseklapp asendisse „ON“.
4. Vajutage akulüliti (Battery) asendisse „ON“.
5. Vajutage mootori lüliti asendisse „ON“.
6. Tõmmake õhuklapi nupp välja „CHOKE“ asendisse.
7. Vajutage ja hoidke süütelüliti (Ignition) asendis „START“. Vabastage, kui mootor hakkab käivituma. Kui mootor ei käivitu viie sekundi jooksul, vabastage lüliti ja oodake vähemalt kümme sekundit, enne kui proovite mootorit uuesti käivitada.
8. Kui mootor soojeneb, lükake õhuklapp töörežiimi asendisse.

### TEATIS

Hoidke õhuklapi hooba „Choke“ asendis ainult üheks tõmbeks. Pärast esimest tõmmet liigutage õhuklapi nupp tagasitõmbekäiviti järgmiseks 3 tõmbeks töörežiimi asendisse. Liiga palju lämmatamist (CHOKE) põhjustab sissetuleva õhu puudumise tõttu süüteküünla määrdumist/mootori üleujutamist. See põhjustab mootori mitte käivitumist.

## Käsitsi käivitus

1. Veenduge, et generaator on tasasel ja ühtlasel pinnal.
2. Ühendage kõik elektrilised koormused generaatorist lahti. ÄRGE käivitage ega peatage mootorit, kui sellega on ühendatud elektriseadmed.
3. Keerake bensiini kütuseklapp asendisse „ON“.

4. Vajutage akulüliti (Battery) asendisse „ON“.
5. Vajutage mootori lüliti asendisse „ON“.
6. Tõmmake õhuklapi nupp välja „CHOKE“ asendisse.
7. Tõmmake käivitusnööri aeglaselt, kuni tunnete vastupanu, seejärel laske see tagasi. Järgmiseks kasutage käivitamiseks ühte tugevat ja kiiret tõmmet. Kui generaator ei käivitu, korra protsessi. Ärge tirige käivitusnööri liiga jõuliselt, seda tehes kahjustate mehhanismi ja tühistate garantii.
8. Kui mootor soojeneb, lükake õhuklapp töörežiimi asendisse.

### TEATIS

**Taaskäivitamiseks kuuma bensiinimootoriga kuumas keskkonnas > 86 °F (30 °C):** Kui generaator ei käivitu pärast esimest tõmmet, vajutage õhuklapi nupp sisse töörežiimi asendisse järgmiseks 3 tõmbeks. Liiga palju lämmatamist (CHOKE) põhjustab sissetuleva õhu puudumise tõttu süüteküünla määrdumist/mootori üleujutamist. See põhjustab mootori mitte käivitumist.

### TEATIS

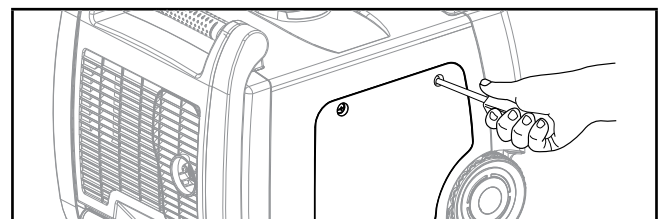
**Bensiinkäivitamiseks külmas keskkonnas < 59° F (15 °C):** Käsitsi käivitamise protseduuride jaoks peab õhuklapp olema 100% „CHOKE“ asendis. Ärge hoidke õhuklappi (CHOKE) liigselt kinni. Niipea kui mootor käivitub, lükake õhuklapi nupp töörežiimi asendisse.

### TEATIS

Kui mootor käivitub, kuid ei jätkata töötamist, veenduge, et generaator on tasasel ja ühtlasel pinnal. Mootor on varustatud madala õlitaseme anduriga, mis takistab mootori töötamist, kui õlitaseme langeb alla kriitilise piirmäära.

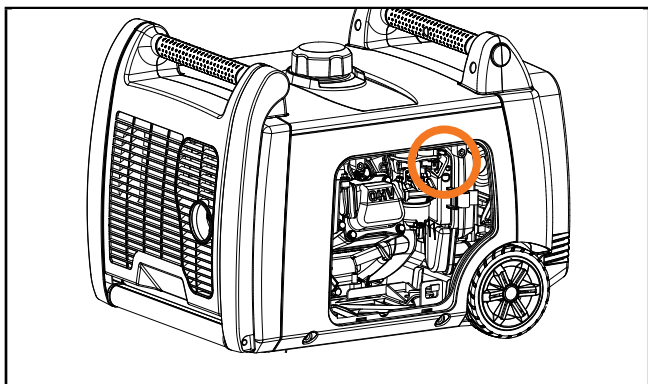
## Käsitsi õhuklapi käivitamine (ainult 73001i-p)

Kui aku on tühi või ei suuda toota piisavalt voolu õhuklapi liikumise toiteks, saab õhuklappi ennast mootori käivitamiseks käsitsi juhtida. Käsitsi õhuklapi reguleerimiseks ja inverteri käivitamiseks toimige järgmiselt:

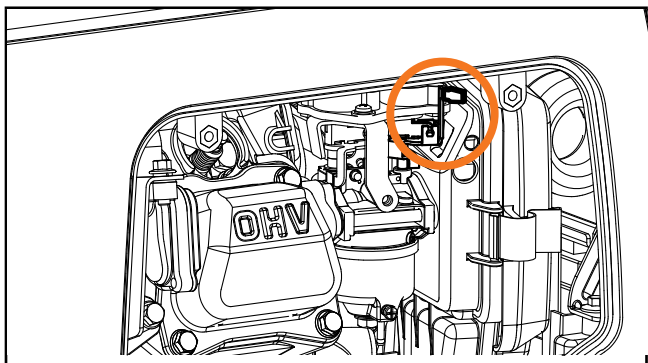


1. Keerake kruvid lahti ja eemaldage hoolduskate.)





2. Leidke kollane käsitsi toimiv õhuklapi hoob.



3. Pöörake õhuklapi hoob asendisse „CHOKE“ (paremale).
4. Keerake bensiini kütuseklapp asendisse „ON“.
5. Keerake mootori lüliti asendisse „ON“.
6. Tõmmake käivitusnööri aeglaselt, kuni tunnete vastupanu, seejärel laske see tagasi. Järgmiseks kasutage käivitamiseks ühte tugevat ja kiiret tõmmet. Kui generaator ei käivitu, korrake protsessi.
7. Kui mootor hakkab käivituma, viige õhuklapi hoob asendisse „RUN“ (vasakule).

### HOIATUS

Tõmmake käivitusnööri aeglaselt, kuni tunnete vastupanu, seejärel laske see tagasi. Järgmiseks kasutage käivitamiseks ühte tugevat ja kiiret tõmmet. Kui generaator ei käivitu, korrake protsessi.

Ärge tirige käivitusnööri liiga jõuliselt, seda tehes kahjustate mehhanismi ja tühistate garantii.

## Elektriliste koormuste ühendamine

Laske mootoril pärast käivitamist paar minutit rahulikult töötada ja üles soojeneda.

Ühendage ja lülitage sisse soovitud 220 V AC (vahelduvvool) ühefaasiline ja 50 Hz elektrikoormusega seade.

- ÄRGE ühendage generaatoriga kolmefaasilisi koormusi.
- ÄRGE koormake generaatorit üle.

### HOIATUS

Pidage meeles, et ühendage seadmed otse generaatorisse ja ärge ühendage generaatori toitejuhet ühegi pistikupesaga ega ühendage oma kodu kaitselüliti paneeliga. Generaatori ühendamine oma kodu elektrivõrte elektriliinidega või muu toiteallikaga on ohtlik tegevus, mis on paljudes osariikides ja omavalitsustes ebaseaduslik.

See toiming, kui seda tehakse valesti, võib kahjustada teie generaatorit, seadmeid ja võib põhjustada tõsiseid vigastusi või surma teile või elektriliini töötajale, kes üritab naabruses voolukatkestuse ajal elektrit taastada. Elektrik võib ootamatult kokku puutuda kõrgepingega ning saada eluohtlikult kannatada ja vigastus võib lõppeda surmava šokiga.

Olenemata sellest, kas vigastused tekivad või mitte, kui generaator on paigaldatud valesti ja seadustega vastuolus, võite saada trahvi ja teie elektri ettevõtte võib teie kodus elektri kinni keerata.

Kui generaator ühendatakse hoone elektrisüsteemiga, peavad need ühendused isoleerima generaatori toite kommunaalvoolust. Te vastutate selle eest, et teie generaatori elekter ei satuks tagasi elektriliinidesse. Need ühendused peavad vastama kõikidele kehtivatele seadustele ja määrustele — Konsulteerige oma kohaliku kommunaalettevõtte või kvalifitseeritud elektrikuga, et see ühendus korralikult installida.

## Ärge koormake generaatorit üle.

### Mahutavus

Järgige neid lihtsaid samme, et arvutada teie jaoks vajalikud alg- ja töövõimsused.

1. Valige elektriseadmed, mida kavatsete samaaegselt kasutada.
2. Arvutage nende seadmete töövattide summa. See on energia hulk, mida vajate oma esemete töös hoidmiseks.
3. Määrake kõigi punktis 1 tuvastatud seadmete suurim algvõimsus. Lisage see arv punktis 2 arvutatud arvule. Mõne elektriga töötava seadme käivitamiseks on vaja lisavõimsust. Kui järgite jaotises „Toitejuhtimine“ loetletud samme, on tagatud, et korraka käivitub ainult üks seade.
4. Kui generaatori väljundvõimsus on katkestatud ülekoormuse tõttu, (mida näitab vahelduvvoolu ülekoormuse vilkuv tuluke), vähendage koormust ühe või mitme seadme väljalülitamise teel, seejärel vajutage enne taaskäivitamist vahelduvvoolu (AC overload) ülekoormuse lähtestamise nuppu.

### Toitejuhtimine

Kasutage järgmist valemit, et teisendada pinget ja voolutugevust vattideks:

## Volt × Amper = Vatt

Et pikendada oma generaatori ja sellega ühendatud seadmete eluiga, järgige elektrilise koormuse lisamiseks järgmisi samme:

1. Käivitage generaator ilma elektrilise koormuseta.
2. Laske mootoril mitu minutit töötada, et temperatuur tõuseks.
3. Ühendage ja lülitage esimene seade sisse. Mõistlik on kõigepealt ühendada kõige suurema võimsusega seade.
4. Laske mootoril stabiliseeruda.
5. Ühendage ja lülitage järgmine seade sisse.
6. Laske mootoril stabiliseeruda.
7. Korrake samme 5-6 iga järgneva seadme puhul.

## TEATIS

Ärge kunagi ületage ettenähtud võimsust, kui lisate generaatorile koormusi.

## Säästurežiim (ökonoomne)

Säästurežiimi nuppu saab seadme töötamise ajal aktiveerida säästurežiimi sisselülitamiseks, et minimeerida kütusekulu ja müra vähenenud elektriväljundi ajal. Säästurežiim võimaldab mootoril mittekasutamise ajal töötada tühikäigul.

Mootori pöörlemiskiirus taastub normaalseks, kui elektriline koormus taas ühendada. Kui säästurežiimi nupp on välja lülitatud, töötab mootor pidevalt normaalpöoretel.

## ⚠ ETTEVAATUST

Suure elektrikoormuse või hetkeliste kõikumiste korral tuleb säästurežiimi nupp välja lülitada.

## 12V DC auto toitepistiku stiilis

12 V alalisvoolu pistikupesa(d) saab kasutada koos kaasasolevate tarvikute ja muude kaubanduslikult kättesaadavate 12V alalisvoolu pistikutega. Alalisvoolu väljund on reguleerimata ja võib kahjustada mõningaid tooteid. Veenduge, et teie lisaseadme sisendpinge vahemik on vähemalt 12-24 V alalisvoolu. Alalisvoolu pistikupesa kasutamisel keerake säästurežiimi nupp asendisse „OFF“.

## ⚠ HOIATUS

ÄRGE kasutage 12 V alalisvoolu seadet, kui see on ühendatud 220 V/240 V elektrilise koormusega, kuna mõlema vahelduvvoolu ja alalisvoolu koos kasutamine kahjustab seadet või generaatorit.

ÄRGE KUNAGI proovige käivitada 12V DC koormust, kui ECO (Säästurežiim) on sisse lülitatud, ECO PEAB olema OFF asendis.

ÄRGE kunagi kasutage ühtegi 12VDC koormust, kui see on pistikupesasse ühendatud.

Pikaajaline kokkupuude mootori heitgaasiga võib põhjustada tõsiseid vigastusi või surma.

## ⚠ ETTEVAATUST

Seadme laadimise ajal ei tohi generaatori väljalaskepoolel küljele laaditavaid seadeid paigutada. Heitgaasist põhjustatud äärmuslik kuumus võib kahjustada seadet ja olla tuleohtlik.

## Aku laadimine

1. Enne aku laadimiskaabli (pole kaasas) ühendamist sõidukisse paigaldatud akuga ühendage sõiduki aku maanduskaabel lahti negatiivsest (—) aku klemmist.
2. Ühendage aku laadimiskaabel generaatori 12 V alalisvoolu pistikupesasse.
3. Ühendage punane (+) akulaadija ots punase (+) aku klemmiga.
4. Ühendage must (—) akulaadija ots musta (—) aku klemmiga.
5. Käivitage generaator.

**Tähtis:** 12 V alalisvoolu pistikupesa on mõeldud kasutamiseks AINULT kaasasoleva 12 V alalisvoolu aku laadimiskaabliga. 12V alalisvoolu väljund on reguleerimata ja kahjustab teisi 12V alalisvoolu tooteid. 12V alalisvoolu pistikupesa kasutamisel keerake säästurežiimi nupp asendisse „OFF“. Enne generaatoriga ühendamist veenduge, et kõik elektriseadmed, kaasa arvatud juhtmed ja pistikuühendused, oleksid heas seisukorras.

## ⚠ ETTEVAATUST

Ärge käivitage sõidukit, kui aku laadimiskaabel on ühendatud ja generaator töötab. See ei suurenda aku võimsust. Sõiduk või generaator võib saada kahjustada. Laadige ainult pliiaakusid. Muud tüüpi akud võivad lõhkeda, põhjustades vigastusi või kahjustusi.

## TEATIS

Enne generaatoriga ühendamist veenduge, et kõik elektriseadmed, kaasa arvatud juhtmed ja pistikühendused, oleksid heas seisukorras.

## Paralleelne ühenduvus

See mudel on ühendumisvalmis ja seda saab kasutada paralleelselt teise Champion-seadmega, et suurendada kogu olemasolevat elektrienergiat. Paralleelseks tööks on vajalik Championi paralleelset komplekti (valikvarustus). Ühilduvate mudelite loendi jaoks või paralleelkomplekti tellimiseks võtke ühendust kohaliku turustajaga.

Üksikasjalikud juhised generaatorite paralleelkomplekti paigaldamiseks ja tööks on esitatud komplekti operaatori käsiraamatus.

## SMART nutilaadimine

Kui teie generaator on varustatud nutilaadimise funktsiooniga (73001i-P, 73001i-DF), saab seda funktsiooni kasutada pardaaku kiireks laadimiseks vooluvõrgust. Kaasasoleva nutilaadimise pistiku abil ühendage enne pistiku vooluvõrku ühendamist esipaneelil oleva 12DC pistikupesaga.

## ⚠ HOIATUS

Ärge laadige järjestikku rohkem kui 4 tundi, vastasel korral võib nii generaator kui ka nutilaadija kahjustada saada.

## Mootori seiskamine

1. Lülitage välja ja eemaldage kõik ühendatud elektrilised koormused. ÄRGE käivitage ega peatage mootorit, kui sellega on ühendatud elektriseadmed.
2. Laske generaatoril mitu minutit ilma koormuseta töötada, et stabiliseerida mootori ja generaatori sisetemperatuur.
3. Keerake kütuseklapp asendisse "OFF" (KINNI).
4. Laske mootoril töötada, kuni kütuse puudus mootori seiskab. See võtab tavaliselt paar minutit.
5. Vajutage süütelüliti (Ignition) asendisse „OFF“.
6. Vajadusel lükake aku lüliti asendisse „OFF“.

**Tähtis:** Kui generaatorit ei kasutata, veenduge alati, et kütuselüliti ja kütusekorgi ventilatsioonihob oleks kinnises asendis.

## TEATIS

Kui generaatorit ei kasutata kahe (2) nädala jooksul või kauem, eemaldage alati kütus ja vaadake mootori ja kütuse nõuetekohast ladustamist jaotisest Ladustamine.

## TEATIS

Kui seadet ei kasutata, lükake aku lüliti (Battery) alati asendisse „OFF“, see hoiab ära aku tühenemise. Kui seadet ei kasutata 2 nädalat või kauem, järgige generaatori ja aku hooldus- ja hoiustamisjuhiseid,

## Generaatori liigutamine

- Lülitage ALATI generaator välja ja veenduge, et kütuseklapp on suletud.
- Enne generaatori ohutut käsitlemist veenduge ALATI, et mootor ja summuti on maha jahtunud (tavaliselt 15-30 minutit).
- Tõstke generaator kandekäepidemest üles ja liikuge soovitud asukohta.
- Ärge lööge ega kukutage seadet maha ning asetage seda raskete esemete alla.
- Nende juhiste eiramine võib põhjustada kehalisi vigastusi või generaatori kahjustusi.

## Töötamine suurte kõrgustel

Õhu tihedus suurte kõrgustel on väiksem kui merepinnal. Mootori võimsus väheneb, kui õhumass ja õhu-kütuse suhe vähenevad. Mootori ja generaatori võimsus väheneb umbes 3½% iga 1000 jalga merepinnast kõrgemal asuva kõrguse kohta. Suurte kõrgustel võivad suurenenud heitgaaside kogused tuleneda ka õhu-kütuse suhte rikastumisest. Muude kõrgustes esinevate probleemide hulka võivad kuuluda raskendatud käivitamine, suurenenud kütusekulu ja süüteküünla määrdumine.

Suure kõrgusega seotud probleemide leevendamiseks peale loomuliku võimsuskadu võib CPE pakkuda kõrgmäestiku karburaatori düüse. Alternatiivdüüseid ja paigaldusjuhised saab meie käest, kontakteerudes Tehnilise toe meeskond. Paigaldusjuhised on saadaval ka CPE veebisaidi jaotisest Tehniline nimistu.

Varuosasa number ja soovitatav minimaalne kõrgus karburaatori düüside rakendamiseks on loetletud järgmises tabelis.

Õige suure kõrguse düüsi valimiseks on vaja esmalt kindlaks teha karburaatori mudel. Sel esmärgil on karburaatori küljele kood trükitud. Valige õige suure kõrgusega düüsi varuosanumber, mis vastab teie karburaatorilt leitud karburaatori koodile.

## ⚠ HOIATUS

Alternatiivse düüsi kasutamine soovitatavast minimaalsest kõrgusest madalamal kõrgusel võib mootorit kahjustada. Madalamatel kõrgustel töötamiseks tuleb kasutada algelt tarnitud standardset põhidüüsi. Mootori töötamine vale mootorikonfiguratsiooniga antud kõrgusel võib suurendada selle heitgaase ning vähendada kütusesäästlikkust ja jõudlust.

## HOOLDUS

Veenduge, et generaator hoitakse puhtana ja seda hoitakse nõuetekohaselt. Kasutage seadet ainult tasasel, ühtlasel pinnal puhtas ja kuivas töökeskkonnas. ÄRGE hoidke generaatorit äärmuslikes tingimustes, liigse tolmu, mustuse, niiskuse või söövitava auru sees.

### ⚠ HOIATUS

Ärge kunagi kasutage kahjustatud või defektset generaatorit.

### ⚠ HOIATUS

Ebaõige hooldus muudab teie garantii kehtetuks. Omanik/kasutaja vastutab generaatori hoolduse eest, sealhulgas õli, süüteküünalde, sädemepüüdja, filtrite ja klappide reguleerimise eest. Selle generaatori vale hooldus tühistab igasuguse garantii.

### TEATIS

Heitgaaside kontrolli seadmete ja süsteemide puhul lugege läbi ja mõistke oma hoolduskohustusi, mis on sätestatud käesoleva juhendi Heitkoguste Kontrolli Garantii Aruandes.

Omanik/operaator vastutab kogu perioodilise hoolduse eest.

Viige kõik kavandatud hooldustööd õigeaegselt lõpule.

Enne generaatori käivitamist kõrvaldage kõik probleemid.

Teenuse või varuosade kohta abi saamiseks võtke ühendust meie Tehnilise toe meeskond aadressil +44 (0) 1942 715 407.

## Generaatori puhastamine

### ⚠ ETTEVAATUST

ÄRGE pihustage ega puhastage generaatorit ohtra veega.

Vesi võib siseneda generaatorisse läbi jahutusavade ja kahjustada generaatori mähiseid. See võib saastada ka kütusesüsteemi.

1. Mootori välispindade puhastamiseks kasutage niisket lappi.
2. Kasutage mustuse ja õli eemaldamiseks pehmet harja.
3. Kasutage mootorist mustuse ja tahma puhastamiseks õhukompressorit (25 PSI).
4. Kontrollige kõiki õhu- ja jahutusavasid, et need oleksid puhtad ja takistusteta.

Juhusliku käivitamise vältimiseks eemaldage ja maandage süüteküünlajuhe enne mis tahes hooldustöid.

## Mootoriõli vahetamine

### (Soovitatav Champion PowerX 10w30 õli)

Vahetage õli, kui mootor on soe. Oma töökeskkonnale sobiva kvaliteetse õli valimiseks vaadake õli tehnilisi andmeid.

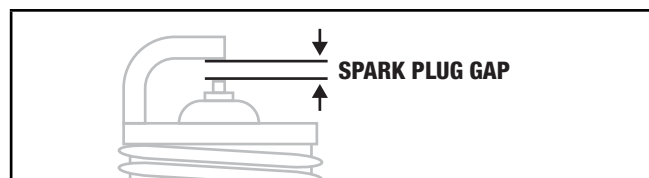
1. Asetage generaator tööpingile või lauale.
2. Vabastage katte kinnitused ja eemaldage hoolduskate.
3. Õli lisamiseks eemaldage õlikork/õlimõõtevarras.
4. Libistage tangide abil vedruklamber õli äravooluvoolikust alla ja tõmmake voolik kinnituse küljest lahti.
5. Suunake voolik tühjendusnõusse ja laske õil täielikult välja voolata. Märkus: Vooliku ots peab olema mootori alusest madalamal, et õli saaks välja voolata.
6. Asetage õli äravooluvoolik kinnituse külge tagasi ja lükake vedru klamber tagasi oma kohale.
7. Lisa õli vastavalt *Mootoriõli lisamine Kokkupanek* jaotises. ÄRGE TÄITKE ÜLE. Tavapäraseks hoolduseks ei ole õli kaasas.
8. Paigaldage hoolduskate tagasi.
9. Kõrvaldage kasutatud õli heakskiidetud jäätmekäitluskeskuses.

### TEATIS

Kui õli on lisatud, peaks visuaalne kontroll näitama, et õli on umbes 1-2 kerme kaugusel täitmisavast. Kui kasutate õlitaseme kontrollimiseks mõõtevarrast, ÄRGE keerake seda kontrollimise ajaks sisse. Üldreeglina, tasasel pinnal on õlitase normis, kui see ulatub täitetoru keskmise vindini. Ärge täitke üle, vastasel juhul halveneb mootori jõudlus ja (või) kahjustatakse mootor.

## Süüteküünla puhastamine ja reguleerimine

1. Eemaldage süüteküünla kaabel süüteküünalt.
2. Kasutage süüteküünla tööriista (pole kaasas) või 13/16 in. (21 mm) padrunvõtit (pole kaasas, kuid saab eraldi osta).
3. Kontrollige pistiku elektroodi. See peab olema puhas ja mitte kulunud, et tekitada süütamiseks vajalik säde.
4. Veenduge, et süüteküünla vahe on 0,024 - 0,031 in. (0,6-0,8 mm).



5. Küünla vahetamisel vaadake süüteküünalde tüüpe jaotises Tehnilised andmed.

- Paigaldage pistik tugevalt.
- Kinnitage süüteküünla kaabel süüteküünla külge.

## Generaatori aku

### Ühendage aku lahti

- Eemaldage musta/negatiivse akujuhtme kaitsekate.
- Ühendage must/negatiivne juhe aku musta/negatiivse klemmi küljest lahti ning hoidke polt ja lukustusseib alles.
- Korrake samme 1-2 punase/positiivse akujuhtme jaoks.
- Hoidke akut jahedas ja kuivas kohas.

### Laadige akut

Elektrikäivitamisega varustatud generaatorite puhul tuleks järgida akude nõuetekohast hooldust ja ladustamist.

Generaatori ladustamise ajal tuleks kasutada laadijat või akuhooldajat. Maksimaalne laadimiskiirus ei tohiks ületada 1,5 amprit. Järgige akulaadijaga/akuhooldajaga kaasasolevaid juhiseid. Aku peaks olema täis laetud vähemalt kord kuus.

## Kaugjuhtimispuldi aku

### TEATIS

- Ostke alati õige suuruse ja kvaliteediga aku, mis sobib kõige paremini ettenähtud kasutusotstarbeks.
- Enne aku paigaldamist puhastage aku ja seadme kontaktid.
- Eemaldage aku seadmetest, mida ei kasutata pikema aja jooksul.
- Eemaldage aku, kui see on tühjaks saanud või kui jätate toote pikalt seisma.

## Hooldusgraafik

Järgige järgmises hooldusgraafikus märgitud hooldustähtaegu.

Hooldage oma generaatorit sagedamini, kui see töötab ebasoodsates tingimustes.

leida oma generaatori või mootori hooldusvajadustele lähim CPE sertifitseeritud teenuste edasimüüja.

### IGA 8 TUNNI JÄREL VÕI ENNE IGAT KASUTAMIST

- ☞ Kontrollige õlitaset
- ☞ Puhastage õhu sisselaskeava ja summuti ümbrus

### ESIMESED 5 TUNDI (SISSETÖÖTAMINE)

- ☞ Vaheta õli (Soovitav Champion PowerX 10w30 õli)

### IGA 50 TUNNI JÄREL VÕI KORRA AASTAS

- ☞ Puhastage õhufilter
- ☞ Vahetage õli, kui töotate suure koormusega või kuumas keskkonnas.

### IGA 100 TUNNI JÄREL VÕI KORRA AASTAS

- ☞ Vahetage õli
- ☞ Puhastage/reguleerige süüteküünlaid
- ☞ Puhastage sädemepüüdja
- ☞ Puhta kütuse klapi filter\*

### IGA 250 TUNNI JÄREL

- ☞ Puhastage põlemiskamber\*
- ☞ Kontrolli/reguleeri klapi vahesid\*

### IGA 3 AASTA TAGANT

- ☞ Vahetage kütusevoolik

\*Oluline, et seda teostaksid asjatundlikud ja kogunud omanikud või Champion Power Equipmenti sertifitseeritud edasimüüjad.

Recommended Oil Type / Tipo de aceite recomendado / Type d'huile recommandé									
				10W-30					
		5W-30				10W-40			
		5W-30 Synthetic / Sintético / Synthétique							
°F	-20	0	20	40	60	80	100	120	
°C	-28.9	-17.8	-6.7	4.4	15.6	26.7	37.8	48.9	
Ambient temperature / Temperatura ambiente / Température ambiante									

## LADUSTAMINE

### OHT

Bensiin ja bensiiniaurud on väga tule- ja plahvatusohtlikud.

Tulekahju või plahvatus võib põhjustada raskeid põletusi või surma. Täitke või tühjendage kütust ainult väljas, hästi ventileeritud kohas. ÄRGE pumbake bensiini otse generaatorisse bensiinijaamas. Bensiini transportimiseks generaatorisse kasutage alati heakskiidetud kütusemahutit. Ärge kunagi kasutage bensiinimahutit, bensiinipaaki või muud kütuseelementi, mis on purunenud, pragunenud, mõlkinud või muul moel kahjustatud. ÄRGE täitke bensiinipaaki üle. Hoidke bensiini alati eemal sädemetest, lahtisest leegist, signaallampidest, kuumusest ja muudest süttimisallikatest. ÄRGE süüdake lahtist tuld ega suitsetage sigarette generaatori lähedal.

Bensiinimahutis oleva bensiini maksimaalne säilivusaeg on kuni 1 aasta, kui sellele on lisatud nõuetekohaselt koostatud kütuse stabilisaatorid ja kui seda hoitakse jahedas ja kuivas kohas.

1. Veenduge, et kõik seadmed on generaatorist lahti ühendatud.
2. Lisage bensiinipaaki nõuetekohane kütuse stabilisaator.
3. Käivitage mootor, järgides juhiseid jaotises *Mootori käivitamine*.
4. Laske generaatoril 10 minutit töötada, et töödeldud bensiin läbiks kütusesüsteemi ja karburaatorit.
5. Laske mootoril töötada, kuni kütuse puudus mootori seiskab.
6. Pärast mootori peatumist keerake lüliti vastupäeva asendisse „STOP“.
7. Kui kütus on otsa saanud ja mootor on seiskunud, laske mootoril jahtuda.
8. Eemaldage hoolduskate.
9. Eemaldage süüteküünal ja valage silindrisse umbes supilusikatäis õli.
10. Tõmmake aeglaselt tagasitõmbenööri et pöörlev mootor silindrid kütusega kokku määraks.
11. Paigaldage süüteküünal ja süüteküünla juhe uuesti.
12. Paigaldage hoolduskate tagasi.
13. Puhastage generaator vastavalt *Generaatori puhastamine*.
14. Ladustage seadet puhtas ja kuivas kohas, kus ei ole otsest päikesevalgust.

## Transport

Et vältida kütuse väljavoolamist transportimisel või ajutise ladustamise ajal, tuleks generaatori komplekt normaalses, püstises tööasendis kinnitada ja mootor olema välja lülitatud. Kütuseklapi hoob peab olema välja lülitatud.

### HOIATUS

Transportimisel:

ÄRGE täitke paaki üle. Ärge kasutage generaatorit, kui see on sõidukis. Võtke generaator sõidukist maha ja kasutage seda hästiventileeritavas kohas. Kui generaatorikomplekt jäetakse suletud sõidukisse mitmeks tunniks, võib kõrge temperatuur sõiduki sees põhjustada kütuse aurustumist, mille tulemuseks on võimalik plahvatus. Ärge sõitke pikalt töötlemata sõiduteel, kui teil on generaatorikomplekt pardal. Kui peate transportima generaatorikomplekti töötlemata teel, tühjendage sellest eelnevalt kütus.

## Taaskasutusse võtmine

Kui generaatorit on pikemat aega valesti hoitud ja bensiinipaagis ja/või karburaatoris on bensiini, tuleb kogu kütus tühjendada ja karburaator põhjalikult puhastada. See protsess hõlmab tehniliselt raskeid ülesandeid.

Kui bensiinipaak ja karburaator tühjendati enne generaatori ladustamist nõuetekohaselt kogu bensiinist, järgige taaskasutusse võtmiseks alljärgnevat sammude loetelut.

1. Veenduge, et kütuselüliti on „STOP“ asendis.
2. Lisage generaatorisse bensiini vastavalt jaotisele *Kütuse lisamine*.
3. Keerake kütuselüliti töörežiimi asendisse.
4. Pärast 5 minutit kontrollige karburaatori ja õhufiltri piirkonda, et seal ei lekiks bensiini. Kui avastate lekkeid, tuleb karburaator lahti võtta ja puhastada või asendada. Kui bensiini lekkeid ei leita, keerake kütuselüliti asendisse „STOP“.
5. Kontrollige mootoriõli taset ja lisage vajadusel puhas värske õli. Õige õlitüübi kohta vaadake jaotist *Õli Tehnilised andmed*.
6. Kontrollige ja puhastage õhufiltrit mustusest, nagu näiteks putukad või ämblikuvõrgud. Vajadusel puhastage õhufilter vastavalt *Õhufiltri puhastamine*.
7. Käivitage generaator vastavalt *Mootori käivitamine*.

### OHT

Generaatori heitgaasid sisaldavad süsinikmonooksiidi, värvit ja lõhnatud mürgkaasi.

Generaatori juhusliku või tahtmatu käivitamise vältimiseks hoiustamise ajal tuleb järgida järgmisi ettevaatusabinõusid:

- Generaatori ladustamisel veenduge, et kütuselüliti on seatud asendisse „STOP“.

# VEAOTSING

Probleem	Põhjus	Lahendus
Mootor ei käivitu.	Kütus puudub.	Lisage kütust.
	Vigane süüteküünal.	Puhastage ja reguleerige süüteküünal või vahetage see välja.
	Madal õlitase.	Täitke karterikamber nõuetekohase tasemeni. Asetage generaator tasasele, ühtlasele pinnale.
	Süüteküünla juhe lahti.	Kinnitage juhe süüteküünla külge.
	Kütuseklapp on suletud.	Avage kütuseklapp.
	START/STOP nupp „OFF“ režiimis.	Vajutage START/STOP nupp „STANDBY“ režiimile ja seejärel uuesti „Start“ või vaata Kätsi käivitamine jaotist.
	Vana kütus või vesi kütuses.	Tühjendage kütus ja asendage värske kütusega.
	Kütusega üleujutatud.	Lase masinal 10 minutit seista.
Generaator käivitub, kuid töötab halvasti.	Õhuklapp vales asendis.	Liigutage õhuklapi hooba sissepoole või täielikult sisse vastavalt vajadusele.
	Määrduvad õhufilter.	Puhastage või vahetage õhufilter.
	Määrduvad kütuseklapp.	Puhastage kütuseklapp.
	Ummistunud sädemepüüdja.	Puhastage sädemepüüdja.
Mootor ei käivitu juhtmevabalt.	Kaugjuhtimispuldi aku on tühi.	Vahetage kaugjuhtimispuldi aku.
	Generaatori aku on tühi.	Laadige generaatori akut.
	START/STOP nupp „OFF“ režiimis.	Vajutage START/STOP nupp „STANDBY“ režiimile ja seejärel vajutage kaugjuhtimispuldil „START“ nuppu üks kord.
	Generaator kaugsignaali ulatusest väljas.	Kaugjuhtimispult ei tohi olla generaatorist rohkem kui 80 jala (24m) kaugusel.
	Takistused generaatori ja kaugjuhtimispuldi vahel.	Eemaldage takistused generaatori ja kaugjuhtimispuldi vahel.
Generaator ei käivitu elektriliselt.	Generaatori aku on tühi.	Laadige generaatori akut.
	START/STOP nupp „OFF“ režiimis.	Vajutage START/STOP nupp „STANDBY“ režiimile ja seejärel uuesti „START“.
Generaator lülitub töö ajal välja.	Kütus on otsas.	Täitke kütusepaak.
	Madal õlitase.	Täitke karterikamber nõuetekohase tasemeni. Asetage generaator tasasele, ühtlasele pinnale.
	Ummistunud sädemepüüdja.	Puhastage sädemepüüdja.
Generaator ei suuda anda piisavalt voolu või ülekuumeneb.	Generaator on ülekoormatud.	Vaadake koormus üle ja kohandage. Vt „Elektriliste koormuste ühendamine“.
	Määrduvad õhufilter.	Puhastage või vahetage õhufilter.
	Õhuklapp vales asendis.	Liigutage õhuklapi hooba sissepoole või täielikult sisse vastavalt vajadusele.
Mootor töötab, kuid vahelduvvool puudub.	Kehv juhtmeühendus.	Kontrollige kõiki ühendusi.
	Kaitseüliti on sisse lülitatud.	Lähtestage kaitseüliti.
	Vigane inverter moodul.	Helistage Tehnilise toele.
	Lahtine juhtmestik.	Kontrollige ja pingutage juhtmestikuühendusi.
	Vahelduvvoolu ülekoormus: Tuluke põleb punaneselt.	Vähendage vahelduvvoolu (AC) koormust ja vajutage Overload Reset nuppu kuni tuluke läheb roheliseks.
	Muud.	Helistage hädaabi telefonile

## GARANTII\*

CHAMPION ELEKTRISEADMED  
3 AASTA PIIRATUD GARANTII

### Garantii nõuded

Garantii ja TASUTA eluaegse kõnekeskuse tehnilise toe saamiseks registreerige toode lehel:

<https://www.championpowerequipment.co.uk>

Registreerimise lõpuleviimiseks peate lisama ostukviitungi koopia esialgse ostu tõendina. Ostu tõend on vajalik garantii jaoks. Palun registreeri seade kümne (10) päeva jooksul alates ostu sooritamise kuupäevast.

### Remont/Asendusgarantii

CPE garanteerib esialgsele ostjale, et mehaanilised ja elektrilised komponendid ei sisalda materjali- ja töödefekte kolme (3) aasta või 1000 tunni jooksul koduseks kasutamiseks, vastavalt sellele mis tuleb esimesena; või üks (1) aasta kaubanduslikuks ja tööstuslikuks kasutamiseks või 1000 tundi, vastavalt sellele mis tuleb esimesena. Selle garantii alusel remondiks või asendamiseks esitatud toote transpordikulud on ostja ainuvastutusel. See garantii kehtib ainult esialgse ostja kohta ja ei ole ülekantav. Täielike Garantiitingimuste vaatamiseks palun külastage [www.championpowerequipment.co.uk](http://www.championpowerequipment.co.uk).

### Ärge tagastage üksust sinna, kust te selle ostsite

Võtke ühendust CPE tehnilise toega, et CPE saaks teostada veakontrolli telefoni või e-posti teel. Kui probleemi selle meetodiga lahendatud ei saa, lubab CPE defektse osa või komponendi hindamise, parandamise või asendamise teostada CPE teeninduskeskuses. CPE annab teile garantiiteenuse juhtumi numbri. Palun hoidke seda edaspidiseks kasutamiseks. See garantii ei hõlma ilma eelneva loata või volitamata töökodadel teostada remonti ja asendusi.

### Garantii välistused

See garantii ei hõlma järgmisi remonditöid ja seadmeid:

#### Tavaline kulumine

Mehaaniliste ja elektriliste komponentidega tooted vajavad hästi toimimiseks perioodilisi osi ja teenindust. See garantii ei hõlma remonti, kui tavapärane kasutamine on olnud liigne ning seadme eluiga seetõttu tervikuna vähenenud.

#### Paigaldamine, Kasutamine ja Hooldus

See garantii ei kehti osade ja/või tööjõu suhtes, kui toodet on väärkasutatud, hooletusse jäetud, õnnetusjuhtumite korral, kuritarvitatud, üleliigselt koormatud, muudetud/ ümbertehitud, valesti paigaldatud või valesti ühendatud mis tahes elektrikomponendiga. Tavaline hooldus ei kuulu käesoleva garantii alla ja seda ei pea teostama CPE poolt volitatud isik.

### Muud erandid

See garantii välistab:

- Kosmeetilised defektid nagu värv, kleebised jne
- Kulumiselemendid nagu filtrielemendid, o-rõngad jne.
- Lisavarustus nagu stardipatareid, kolvirõngad ja hoiustamiskatted.
- Ebaõnnestumised Jumala tegude ja muude vääramatu jõu sündmuste tõttu, mis on väljaspool tootja kontrolli.
- Probleemid põhjustatud juppidest, mis ei ole originaal Champion Power Equipment osad.

Osa (d), mis loetakse kasutaja poolt kahjustatuks. Vajadusel ei kehti see garantii toodete suhtes, mida kasutatakse majapidamises põhilise vooluallikana.

### Kaudse garantii ja sellest tulenevate kahjude piirangud

Champion Power Equipment loobub mis tahes kohustusest katta ajakadu, selle toote kasutamist, kaubavedu või mis tahes juhuslikke või sellest tulenevaid nõudeid selle toote kasutamisel. SEE GARANTII JA LISATUD ÜHENDKUNINGRIIGI EPA JA/ VÕI SÜSINIKDIOKSIIDI HEITKOGUSTE KONTROLLSÜSTEEMI GARANTIID (KUI NEED ON KOHALDATAVAD), ON KOOSKÖLAS TEISTE GARANTIIDEGA, OTSELT VÕI KAUSLTS, KAASAARVATUD KAUBANDUSLIKUD VÕI SOBILIKUD KONKREETSEKS EESMÄRGIKS.

Vahetusena pakutava üksuse suhtes kehtib esialgse üksuse garantii. Vahetatava üksuse garantii pikkus jääb arvutatuks algse üksuse ostukuupäeva alusel.

See garantii annab teile teatud seaduslikud õigused, mis võivad osariigiti või provintsiti erineda. Teie osariigis või provintsis võivad olla ka muud õigused, mida käesolevas garantiis ei ole loetletud.



## INTRODUCTION

Félicitations pour votre achat d'un produit Champion Power Equipment (CPE). CPE conçoit, construit et prend en charge tous nos produits selon des spécifications et directives strictes. Avec les connaissances adéquates du produit, une utilisation sécurisée et un entretien régulier, ce produit devrait vous apporter de nombreuses années de service satisfaisant.

Tout est mis en œuvre pour assurer l'exactitude et le caractère exhaustif des informations de ce manuel au moment de la publication. Nous nous réservons le droit de modifier, d'altérer et/ou d'améliorer le produit et ce document à tout moment, sans préavis.

CPE accorde une grande valeur à la manière dont nos produits sont conçus, fabriqués, opérés et entretenus, ainsi qu'à fournir une sécurité à l'opérateur et aux personnes se trouvant aux alentours du générateur. Par conséquent, il est **IMPORTANT** de consulter attentivement ce manuel du produit et les autres documents du produit et d'être pleinement conscient et bien connaître le montage, l'opération, les dangers et l'entretien du produit avant utilisation. Familiarisez-vous pleinement avec celui-ci et veillez à ce que les autres personnes qui ont l'intention d'utiliser le produit se familiarisent également pleinement avec les procédures correctes de sécurité et d'opération avant chaque utilisation. Merci de toujours faire preuve de bon sens et de précaution lors de l'opération du produit pour veiller à ce qu'aucun accident, dommage matériel ni blessure ne survienne. Nous souhaitons que vous puissiez utiliser et être satisfait de votre produit CPE pour les années à venir.

Si vous contactez CPE concernant des pièces de rechange et/ou un entretien, vous devrez fournir les numéros de modèle et de série complets de votre produit. Reécrivez les informations indiquées sur l'étiquette signalétique de votre produit dans le tableau ci-dessous.

**ÉQUIPE D'ASSISTANCE TECHNIQUE CPE**

**NUMÉRO DU MODÈLE**

**NUMÉRO DE SÉRIE**

**DATE D'ACHAT**

**LIEU D'ACHAT**

## DÉFINITIONS DE SÉCURITÉ

L'objectif des symboles de sécurité est d'attirer votre attention sur les possibles dangers. Les symboles de sécurité et leurs explications méritent votre attention complète et votre compréhension. Les avertissements de sécurité n'éliminent pas tous les dangers à eux seuls. Les instructions ou les avertissements qu'ils donnent ne se substituent pas des mesures adéquates de prévention des accidents.

### **DANGER**

DANGER indique une situation de danger qui, si elle ne peut être évitée, résultera en le décès ou des blessures graves.

### **AVERTISSEMENT**

AVERTISSEMENT indique une situation de danger qui, si elle ne peut être évitée, pourrait résulter en le décès ou des blessures graves.

### **PRÉCAUTION**

PRÉCAUTION indique une situation de danger qui, si elle ne peut être évitée, pourrait résulter en des blessures mineures ou modérées.

### **REMARQUE**

REMARQUE indique des informations considérées comme importantes, mais non liées à un danger (par ex. des messages concernant des dégâts matériels).

FR

# INSTRUCTIONS IMPORTANTES DE SÉCURITÉ

## ⚠️ AVERTISSEMENT

Cancer et effets nocifs sur la reproduction [www.P65Warnings.ca.gov](http://www.P65Warnings.ca.gov)

## ⚠️ DANGER

Les gaz d'échappement du générateur contiennent du monoxyde de carbone, un gaz incolore, inodore et toxique. Le fait de respirer du monoxyde de carbone cause des nausées, des étourdissements, des évanouissements ou le décès. Si vous connaissez à ressentir des étourdissements ou à vous sentir faible, sortez immédiatement respirer de l'air frais.

**FAITES FONCTIONNER LE GÉNÉRATEUR EN EXTÉRIEUR, UNIQUEMENT DANS UNE ZONE BIEN VENTILÉE ET FAITES S'ÉVACUER LES GAZ D'ÉCHAPPEMENT.**

NE faites PAS fonctionner le générateur en intérieur dans un bâtiment, y compris dans des garages, des caves, des vides sanitaires et des hangars, des enceintes ou compartiments, y compris le compartiment du générateur d'un véhicule de loisir ou de n'importe quel véhicule.

NE laissez PAS les gaz d'échappement pénétrer dans une zone confinées par des fenêtres, des portes, des aérations ou autres ouvertures.

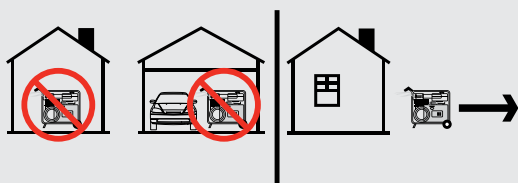
N'ajoutez PAS et n'installez PAS sur le générateur un silencieux/un conduit de rallonge d'évacuation ou de système de filtration. Agir de la sorte annulera toute garantie donnée.

## ⚠️ DANGER

Utiliser un générateur en intérieur ou dans un espace confiné **PEUT VOUS TUER EN QUELQUES MINUTES**. Les gaz d'échappement du générateur contiennent du monoxyde de carbone. Il s'agit d'un gaz incolore, inodore et toxique.

**N'UTILISEZ JAMAIS** en intérieur dans des bâtiments ou des véhicules, **MÊME SI LES** portes et les fenêtres sont ouvertes.

**UTILISEZ UNIQUEMENT** en extérieur et loin des fenêtres, portes et aérations.



## ⚠️ DANGER

Utiliser un générateur en intérieur ou dans un espace confiné **PEUT VOUS TUER EN QUELQUES MINUTES**. Les gaz d'échappement du générateur contiennent du monoxyde de carbone. Il s'agit d'un gaz incolore, inodore et toxique.

Installez des détecteurs de monoxyde de carbone fonctionnant sur pile ou des détecteurs de monoxyde de carbone à brancher avec batterie de secours, selon les instructions du fabricant.

## ⚠️ AVERTISSEMENT

Bien que le générateur comprenne un pare-étincelles, maintenez une distance minimale de 5 pieds (1,5 m) avec la végétation sèche pour éviter les incendies.

## ⚠️ DANGER

Faites fonctionner l'équipement avec les protections en place.

Il est possible que les mains, les pieds, les vêtements et/ou les accessoires s'empêchent dans les parties rotatives. Il peut en résulter une amputation traumatique ou une grave lacération.

Gardez les mains et les pieds éloignés des parties rotatives.

Attachez les cheveux longs et retirez les bijoux.

NE portez PAS de vêtements amples, de cordons qui pendent ni d'éléments pouvant se retrouver piégés.

## ⚠️ DANGER

Le générateur produit une puissante tension.

NE touchez PAS des câbles nus ni des récipients.

N'utilisez PAS de cordons électriques usés, endommagés ou effilochés. Utilisez uniquement des cordons électriques Champion pour une application correcte.

NE faites PAS fonctionner le générateur dans des conditions météorologiques humides.

NE laissez PAS des enfants ni des personnes non qualifiées faire fonctionner ou entretenir le générateur.

Utilisez un disjoncteur différentiel de fuite à la terre (DDFT) dans les zones humides et dans les zones comprenant des matériaux conducteurs, comme des revêtements métalliques.

Le raccordement au système électrique de votre domicile nécessite un commutateur de transfert 30 A homologué installé par un électricien agréé et approuvé par l'autorité locale compétente. La connexion doit isoler le générateur de l'électricité du réseau et doit se conformer à toutes les lois applicables et à tous les codes de l'électricité.

### **AVERTISSEMENT**

N'utilisez pas le générateur pour des systèmes médicaux ou de survie.

En cas d'urgence, appelez immédiatement les services de secours (911 ou 112).

N'utilisez JAMAIS ce produit pour alimenter des appareils ou dispositifs de réanimation.

N'utilisez JAMAIS ce produit pour alimenter des appareils ou des dispositifs médicaux.

Informez immédiatement votre fournisseur d'électricité si vous ou une personne de votre foyer dépendez d'un équipement électrique pour survivre.

Informez immédiatement votre fournisseur d'électricité si une coupure de courant vous mettrait vous ou une personne de votre foyer dans une situation d'urgence médicale.

### **AVERTISSEMENT**

L'étincelle du fil de bougie retiré peut résulter en un incendie ou un choc électrique.

#### **Lors de l'entretien du générateur :**

Déconnectez le fil de bougie et placez-le là où il ne peut pas entrer en contact avec la bougie ni tout autre objet en métal.

NE vérifiez PAS l'étincelle avec la bougie retirée.

Utilisez uniquement des testeurs de bougies d'allumage approuvés.

### **AVERTISSEMENT**

Les moteurs en fonctionnement peuvent produire de la chaleur. Des graves brûlures peuvent avoir lieu lors d'un contact. Le matériau combustible peut s'enflammer lors d'un contact.

NE touchez PAS les surfaces chaudes.

Évitez un contact avec les gaz d'échappement chauds.

Laissez l'équipement refroidir avant de le toucher.

Maintenez au moins 3 pieds (91,4 cm) d'espace de tous les côtés pour assurer un refroidissement adéquat.

Maintenez au moins 5 pieds (1,5 m) d'espace par rapport aux matériaux combustibles.

### **AVERTISSEMENT**

Une rétractation rapide du cordon de recul tirera la main et le bras vers le moteur plus rapidement qu'il vous serait possible de lâcher. Un démarrage non intentionnel peut résulter en un enchevêtrement, une amputation traumatique ou une lacération. Il pourrait en résulter des os cassés, des fractures, des contusions ou des entorses.

Lors du démarrage du moteur, tirez lentement le cordon de recul jusqu'à ce que vous sentiez une résistance puis tirez rapidement pour éviter un rebond.

NE démarrez ni n'arrêtez PAS le moteur avec des appareils électriques branchés et allumés.

### **PRÉCAUTION**

Le fait d'excéder la capacité de fonctionnement du générateur peut endommager le générateur et/ou les appareils électriques qui y sont connectés.

NE surchargez PAS le générateur.

N'altérez PAS la vitesse régulée.

NE modifiez PAS le générateur en aucune façon.

### **PRÉCAUTION**

Démarrez le générateur et laissez le moteur se stabiliser avant de connecter des charges électriques.

Connectez des équipements électriques en position fermée, puis allumez-les pour le fonctionnement.

Éteignez l'équipement électrique et déconnectez-le avant d'arrêter le générateur.

## **PRÉCAUTION**

Un mauvais traitement ou une mauvaise utilisation du générateur peut l'endommager, raccourcir sa durée de vie ou annuler la garantie.

Utilisez le générateur uniquement pour ses utilisations prévues.

Utilisez uniquement sur des surfaces de niveau.

N'exposez PAS le générateur à une humidité excessive, à de la poussière ni à de la saleté.

NE laissez PAS de matériau obstruer les fentes de refroidissement.

Si les appareils connectés surchauffent, éteignez-les et déconnectez-les du générateur.

### **N'utilisez PAS le générateur si :**

- La puissance électrique s'arrête
- L'équipement émet des étincelles, des fumées ou des flammes
- L'équipement vibre de manière excessive

## **Sécurité du carburant**

### **DANGER**

**L'ESSENCE ET LES VAPEURS D'ESSENCE SONT HAUTEMENT INFLAMMABLES ET EXPLOSIVES.**

Un incendie ou une explosion peut causer de graves brûlures voire le décès.

### **Essence et vapeurs d'essence :**

- L'essence est hautement inflammable et explosive.
- L'essence peut causer un incendie ou une explosion si elle est allumée.
- L'essence est un carburant liquide mais ses vapeurs peuvent s'enflammer.
- L'essence est irritante pour la peau et doit immédiatement être nettoyée en cas de déversement sur la peau ou sur les vêtements.
- L'essence possède une odeur particulière, ce qui vous aidera à détecter rapidement les potentielles fuites.
- L'essence se dilate ou se contracte selon la température ambiante. Ne remplissez jamais le réservoir d'essence à sa pleine capacité, car l'essence a besoin d'espace pour se dilater quand la température augmente.
- Dans le cas d'un incendie d'essence de pétrole, les flammes ne doivent jamais être éteintes à moins que la vanne d'alimentation en essence puisse être fermée. En ne la fermant

pas, si un incendie est éteint et si l'alimentation en essence n'est pas fermée, il pourrait se créer un danger d'explosion.

### **Lots de l'ajout ou de la suppression de l'essence :**

N'allumez ni ne fumez PAS de cigarettes.

Éteignez toujours le générateur et laissez-le refroidir pendant au minimum deux minutes avant de retirer le bouchon d'essence. Ensuite, desserrez le bouchon d'essence pour diminuer la pression du réservoir d'essence.

Ne remplissez ou ne videz l'essence qu'en extérieur, dans une zone bien ventilée.

N'insérez PAS directement la pompe à essence dans le générateur à la station-service. Utilisez toujours un contenant approuvé pour le carburant pour transférer l'essence au générateur.

NE remplissez PAS le réservoir d'essence de manière excessive.

Conservez toujours l'essence loin des étincelles, des flammes nues, des veilleuses, de la chaleur et d'autres sources d'allumage.

### **Lors du démarrage du générateur :**

N'essayez PAS de démarrer un générateur endommagé.

Veillez toujours à ce que le bouchon d'essence, le filtre à air, la bougie d'allumage, les lignes de carburant et le système d'échappement soient correctement sécurisés, connectés et en place.

Laissez toujours les déversements d'essence s'évaporer entièrement avant d'essayer d'allumer le moteur.

Assurez-vous que le générateur repose fermement sur un sol de niveau.

### **Lors du fonctionnement du générateur :**

NE déplacez ni ne basculez PAS le générateur pendant le fonctionnement.

NE basculez PAS le générateur et ne laissez PAS de l'essence ou de l'huile se déverser.

### **Lors du transport ou de l'entretien du générateur :**

Veillez à ce que la vanne de carburant soit en position fermée et à ce que le réservoir d'essence soit vide.

Déconnectez le fil de la bougie d'allumage.

### **Lors du stockage du générateur :**

Stockez l'essence loin des étincelles, des flammes nues, des veilleuses, de la chaleur et d'autres sources d'allumage.

Ne stockez pas le générateur ni l'essence près d'un fourneau, d'un chauffe-eau ni d'autres appareils qui produisent de la chaleur ou possèdent des allumages automatiques.

### **AVERTISSEMENT**

N'utilisez jamais un contenant d'essence, un réservoir d'essence ou tout autre article pour essence qui serait cassé, coupé, tordu ou endommagé.

## MONTAGE

Votre générateur nécessite un certain assemblage. Cet appareil est expédié de l'usine sans huile. Il doit être correctement fourni en essence et en huile avant le fonctionnement.

### Déballage

1. Posez le carton d'expédition sur une surface solide et plate.
2. Retirez tout du carton sauf le générateur.
3. À l'aide des poignées de transport de l'appareil, sortez doucement le générateur de la boîte (deux personnes sont recommandées pour le soulever).

### Connexion de la batterie (modèles à démarrage électrique)

1. À l'aide d'un tournevis, retirez les deux (2) vis du couvercle de maintenance du couvercle de maintenance de la batterie.
2. Une fois les vis retirées, la languette en caoutchouc du couvercle peut être retirée pour faciliter le desserrage et le délogement du couvercle de maintenance. (A)
3. Retirez le couvercle de maintenance de la batterie. (A)
4. Coupez le collier de serrage qui relie les câbles de la batterie ensemble.
5. À l'aide d'un tournevis, dévissez le boulon de la batterie dans la borne rouge positive (+) de la batterie.
6. Connectez le câble rouge positif (+) à la borne positive (+) de la batterie à l'aide du boulon.
7. Tirez la gaine en caoutchouc sur la connexion du câble de la batterie et la borne de la batterie.
8. Répétez les étapes 5 à 7 pour le câble noir négatif (-) de la batterie et la borne noire négative (-) de la batterie.

#### REMARQUE

Si les câbles de la batterie ne sont pas visibles une fois le couvercle de maintenance de la batterie retiré, veuillez noter que les câbles peuvent être repliés au-dessus de la batterie et non bien en vue.

### Ajout d'huile moteur



#### PRÉCAUTION

N'essayez PAS de faire tourner ni de démarrer le moteur avant qu'il ne soit correctement rempli avec le type et la quantité d'huile recommandée. En cas de non-respect de ces instructions, les dégâts résultant faits au générateur annuleront votre garantie.

#### REMARQUE

Le rotor du générateur possède un roulement à billes scellé et pré-lubrifié qui ne nécessite pas d'ajout de lubrifiant pendant la durée de vie du roulement.

#### REMARQUE

Le type d'huile recommandé pour une utilisation typique est de **l'huile pour automobile 10W-30**.

En cas de fonctionnement du générateur dans des températures extrêmes, référez-vous au tableau suivant pour le type d'huile recommandé.

#### PRÉCAUTION

NE PAS renverser ou trop remplir le générateur, sinon cela entraînera une dégradation des performances du moteur et (ou) endommagera le moteur, ce qui annulera toute garantie..

Recommended Oil Type / Tipo de aceite recomendado / Type d'huile recommandé									
			10W-30						
		5W-30				10W-40			
		5W-30 Synthetic / Sintético / Synthétique							
°F	-20	0	20	40	60	80	100	120	
°C	-28.9	-17.8	-6.7	4.4	15.6	26.7	37.8	48.9	
Ambient temperature / Temperatura ambiente / Température ambiante									

1. Placez le générateur sur une surface plate et de niveau.
2. Desserrez les vis du couvercle et retirez le couvercle d'entretien.
3. Retirez le bouchon de remplissage d'huile/la jauge pour ajouter de l'huile.
4. À l'aide d'un entonnoir, ajoutez jusqu'à 500ml/16.9 fl.oz d'huile (inclus) et replacez le bouchon de remplissage d'huile/la jauge. NE REMPLISSEZ PAS DE MANIÈRE EXCESSIVE.
5. Vérifiez chaque jour le niveau d'huile du moteur et ajoutez-en si nécessaire.

## REMARQUE

Une fois l'huile ajoutée, une inspection visuelle devrait montrer l'huile à 1-2 marques de débordement du trou de remplissage.

Lors de l'utilisation de la jauge pour vérifier le niveau d'huile, NE vissez PAS la jauge lors de la vérification.

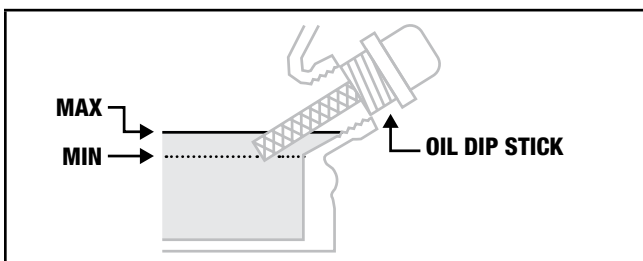
As a general rule on a flat level surface oil is full when it can be visually seen on the middle-upper threads of the port, Do Not overfill otherwise it will result in poor engine performance and (or) damage to the engine.

## REMARQUE

Vérifiez souvent le niveau d'huile pendant la période de rodage. Référez-vous à la section Entretien pour les intervalles d'entretien recommandés.

## PRÉCAUTION

Ce moteur est équipé d'un coupe en cas de faible niveau d'huile et s'arrêtera quand le niveau d'huile du carter se situe en-dessous du niveau seuil.




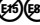

## REMARQUE

Les 5 premières heures de fonctionnement constituent la période de rodage de l'appareil. Pendant la période de rodage, restez à ou en-dessous de 50 % de la puissance nominale en watts et variez la charge occasionnellement pour permettre aux enroulements du stator de chauffer et de refroidir. L'ajustement de la charge fera également que la vitesse du moteur varie légèrement et aidera à asseoir les segments de piston. Changez l'huile après la période de rodage de 5 heures.

## REMARQUE

Il est possible d'utiliser de l'huile synthétique après la période initiale de rodage de 5 heures. L'utilisation d'huile synthétique n'augmente pas l'intervalle recommandé de changement d'huile. Une huile entièrement synthétique 5W-30 aidera au démarrage dans des températures ambiantes froides < 41° F (5° C).

## Ajout de carburant

Utilisez de l'essence sans plomb propre, fraîche et régulière avec un indice d'octane minimum de 85 et une teneur en éthanol de 10 % ou moins en volume.   

NE mélangez PAS l'huile avec l'essence.

1. Retirez le bouchon d'essence.
2. Ajoutez lentement l'essence dans le réservoir. NE REMPLISSEZ PAS DE MANIÈRE EXCESSIVE. Il est possible que l'essence se dilate après le remplissage. Un minimum de ¼ in. (6,4 mm) d'espace restant dans le réservoir est requis pour la dilatation de l'essence, bien que plus de ¼ in. (6,4 mm) soit recommandé. L'essence peut sortir de force du réservoir en cas de dilatation en cas de remplissage excessif. Cela peut affecter la condition de fonctionnement stable du générateur.
3. Vissez le bouchon d'essence jusqu'à ce que vous entendiez un « clic ». Essuyez tout déversement d'essence.

## PRÉCAUTION

Utilisez de l'essence sans plomb avec un indice d'octane minimum de 85 et une teneur en éthanol de 10 % ou moins en volume.

N'allumez et ne fumez PAS de cigarettes lors du remplissage du réservoir.

NE mélangez PAS l'huile et l'essence.

NE remplissez PAS le réservoir de manière excessive. Remplissez le réservoir à environ ¼ in. (6,4 mm) en-dessous de la partie supérieure du réservoir pour permettre la dilatation de l'essence.

N'insérez PAS directement la pompe à essence dans le générateur à la station-service. Utilisez un contenant approuvé pour transférer l'essence au générateur.

NE remplissez PAS le réservoir en intérieur.

NE remplissez PAS le réservoir quand le moteur tourne ou est chaud.

## AVERTISSEMENT

Le fait de verser l'essence trop rapidement dans le filtre à carburant peut résulter en des éclaboussures d'essence autour du générateur et de l'opérateur lors du remplissage.

## REMARQUE

Le moteur du générateur fonctionne bien avec de l'essence mélangée à 10 % ou moins d'éthanol. Lors de l'utilisation de mélanges éthanol-essence, il est important de noter certains problèmes :

- Les mélanges éthanol-essence peuvent absorber plus d'eau que l'essence seule.
- Ces mélanges peuvent éventuellement se séparer, laissant de l'eau ou une substance aqueuse dans le réservoir, la vanne de carburant et le carburateur. L'essence non utilisable peut être introduite dans le carburateur et causer des dommages au moteur et/ou créer des dangers potentiels.
- Si un stabilisateur de carburant est utilisé, confirmez que celui-ci est formulé pour être utilisé avec des mélanges éthanol-essence.
- Tout dégât ou danger causé par une utilisation d'essence inadaptée, d'essence stockée de manière inadaptée et/ou de stabilisateurs formulés de manière inadaptée, ne sont pas couverts par la garantie du fabricant.

Il est conseillé de toujours couper l'alimentation en essence et de faire fonctionner le moteur jusqu'à l'épuisement du carburant après chaque utilisation. Voir les Instructions de stockage en cas d'inutilisation prolongée.

## Mise à la terre

Votre générateur doit être correctement raccordé à une mise à la terre appropriée pour prévenir les chocs électriques.

## AVERTISSEMENT

Une mauvaise mise à la terre du générateur peut résulter en un choc électrique.

Il a été fourni une borne de masse reliée au châssis (voir Commandes et fonctionnalités pour l'emplacement de la borne). Pour une mise à la terre à distance, connectez une longueur de fil de cuivre de gros calibre (12 AWG minimum) entre la borne de masse du générateur et une tige de cuivre enfoncée dans le sol. Nous vous recommandons fortement de consulter un électricien qualifié pour assurer un respect des codes d'électricité locaux.

### Neutre flottant\*

- Le circuit neutre **N'EST PAS** connecté électriquement au châssis/à la masse du générateur.
- Le générateur (enroulement du stator) est isolé du châssis et de la broche de mise à la terre du réceptacle CA.
- Les appareils électriques qui nécessitent une connexion de la broche du réceptacle mis à la terre ne fonctionneront pas si la broche du réceptacle mis à la terre ne fonctionne pas.

### Neutre lié au châssis\*

- Le circuit neutre **EST** connecté électriquement au châssis/à la masse du générateur.
- La mise à la terre du système de générateur connecte la traverse inférieure du châssis sous l'alternateur. La mise à la terre du système est connectée au fil neutre CA.

\* Voir la section Spécifications pour le type spécifié de mise à la terre.

## FUNCTIONNEMENT

### Emplacement du générateur

Ne faites JAMAIS fonctionner le générateur en intérieur dans un bâtiment, y compris dans des garages, des caves, des vides sanitaires et des hangars, des enceintes ou compartiments, y compris le compartiment du générateur d'un véhicule de loisir ou de n'importe quel véhicule. Veuillez consulter votre autorité locale. Dans certaines zones, les générateurs doivent être enregistrés auprès du service public local. Les générateurs utilisés sur des sites de construction peuvent être sujets à des règles et réglementations supplémentaires. Les générateurs doivent à tout moment être sur une surface plate et de niveau. (Même lorsqu'ils ne fonctionnent pas) Les générateurs doivent disposer d'au moins 5 pieds (1,5 m) d'espace par rapport à tous les matériaux combustibles. En plus de l'espace par rapport à tous les matériaux combustibles, les générateurs doivent également disposer d'au moins 3 pieds (91,4 cm) d'espace de tous les côtés pour assurer un refroidissement adéquat, la maintenance et l'entretien. Les générateurs ne doivent jamais être démarrés ni utilisés à l'arrière d'un SUV, dans un camping-car, dans une remorque, dans le lit d'un camion (ordinaire, plat ou autre), sous des escaliers/cages d'escalier, près de murs ou de bâtiments, ou tout autre emplacement qui ne permettrait pas un refroidissement adéquat du générateur et/ou du silencieux. NE contenez PAS les générateurs pendant le fonctionnement. Laissez les générateurs refroidir correctement avant le transport ou le stockage.

Placez le générateur dans une zone bien ventilée. NE placez PAS le générateur près d'aérations ni d'admissions où des vapeurs d'échappement pourraient être aspirées dans des espaces occupés ou confinés. Pensez soigneusement au vent et aux courants d'air avant de positionner le générateur.

Le non-respect des précautions de sécurité peut annuler la garantie du fabricant.

## AVERTISSEMENT

Ne faites pas fonctionner et ne stockez pas le générateur sous la pluie, la neige ou dans des conditions météorologiques humides.

Le fait d'utiliser un générateur ou un appareil électrique dans des conditions météorologiques humides, comme de la pluie ou de la neige, ou près d'une piscine ou d'un système d'arrosage, ou quand vos mains sont mouillées, peut résulter en une électrocution.

## **AVERTISSEMENT**

Lors du fonctionnement, le silencieux et les vapeurs d'échappement deviennent chauds. Si un espace adéquat de refroidissement et de respiration n'est pas fourni, ou si le générateur est bloqué ou clos, les températures peuvent devenir extrêmement élevées et peuvent mener à un incendie.

## Protection contre les surtensions

Les appareils électroniques, y compris les ordinateurs et de nombreux appareils programmables, utilisent des composants conçus pour fonctionner à une plage de tension étroite et peuvent être affectés par des fluctuations temporaires de tension. Bien qu'il n'existe pas de moyen d'éviter les fluctuations de tension, vous pouvez prendre des mesures pour protéger les équipements électroniques sensibles.

- Installez des supprimeurs de surtension enfichables homologués UL1449 et CSA sur les prises qui alimentent vos équipements sensibles.  
Les supprimeurs de surtension sont disponibles dans des modèles à une prise et à multiprises. Ils sont conçus pour protéger contre presque toutes les fluctuations de tension de courte durée.

## Démarrer le moteur

### Démarrage à distance sans fil (fonctionnalité en option)

Le démarrage à distance sans fil n'est possible qu'à moins de 80 pieds du générateur.

N'essayez PAS de régler le starter. Le système à distance fermera et ouvrira automatiquement le starter.

1. Veillez à ce que le générateur soit placé sur une surface plate et de niveau.
2. Déconnectez toutes les charges électriques du générateur. Ne démarrez ni n'arrêtez jamais le générateur avec des appareils électriques branchés ou allumés.
3. Tournez le robinet de carburant en position « ON ».
4. Appuyez sur le commutateur de batterie sur "ON".
5. Appuyez sur l'interrupteur du moteur sur "ON".
6. Appuyez et relâchez le bouton "START" de la télécommande. NE maintenez PAS le bouton enfoncé, appuyez une seule fois sur le bouton. Le moteur tentera de démarrer six fois.

## **REMARQUE**

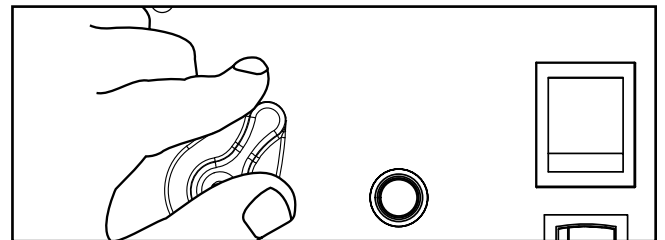
Lorsque l'interrupteur de la batterie est en position "ON", l'interrupteur s'allume si la batterie envoie une charge. Si l'interrupteur ne s'allume pas lorsqu'il est en position "ON", vérifiez que la connexion de la batterie est toujours bonne.

## **REMARQUE**

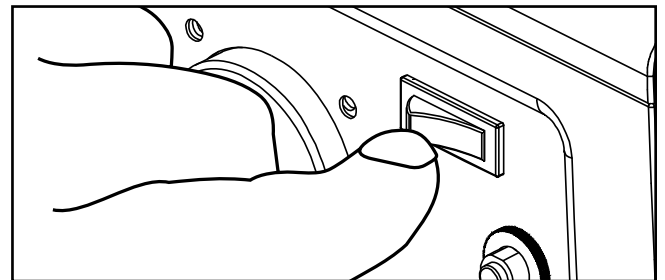
La batterie 12 V fournie se recharge pendant que le moteur tourne, mais il est également recommandé que la batterie soit complètement chargée au moins une fois par mois ou entretenue avec un chargeur d'entretien ou un mainteneur de batterie (non inclus), surtout si le générateur n'est pas utilisé. standard, les piles fournies sont couvertes par une garantie de 1 an et ne sont pas incluses dans la prolongation de 3 ans offerte.

## Démarrage électrique (Certains modèles) et Démarrage manuel

1. Veillez à ce que le générateur soit placé sur une surface plate et de niveau.
2. Déconnectez toutes les charges électriques du générateur. Ne démarrez ni n'arrêtez jamais le générateur avec des appareils électriques branchés ou allumés.
3. Tournez le robinet de carburant en position « ON ».

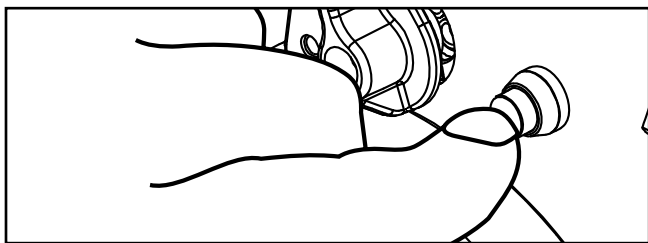


4. Appuyez sur le commutateur de batterie sur "ON"..

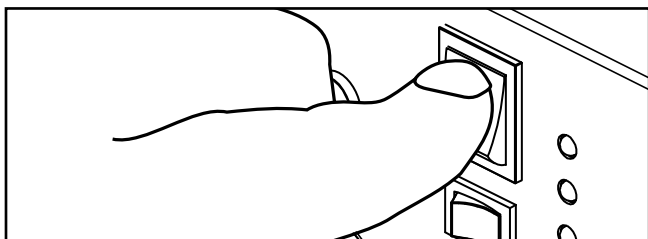


5. Tirez le bouton de starter vers la position « CHOKE ».





6. Appuyez sur l'interrupteur du moteur sur "ON".



7. **Démarrage électrique** Appuyez et maintenez le contacteur d'allumage sur la position "START". Relâchez lorsque le moteur commence à se lancer. Si le moteur ne démarre pas dans les cinq secondes, relâchez l'interrupteur et attendez au moins dix secondes avant d'essayer de redémarrer le moteur.

8. **Démarrage manuel:** Tirez sur la corde de rappel jusqu'à ce que vous ressentiez une résistance, puis tirez rapidement.

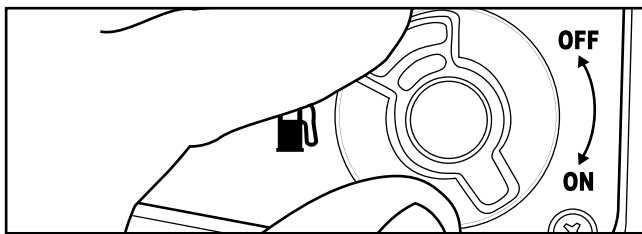
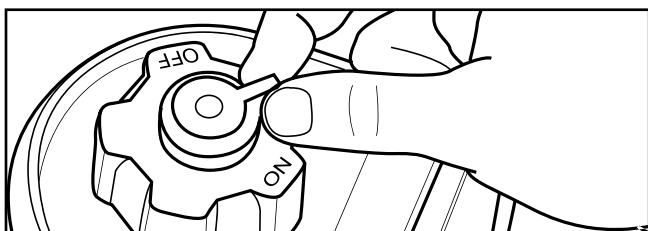
9. Tandis que le moteur chauffe, poussez le bouton du starter dans la position « FONCTIONNEMENT ».

### REMARQUE

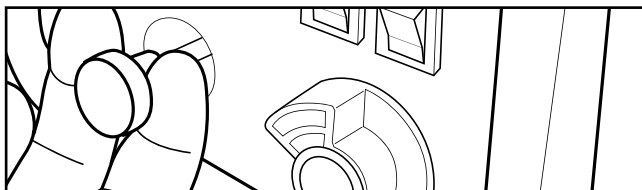
Gardez le levier du starter dans la position « STARTER » pendant seulement 1 tir sur le cordon de recul. Après le premier tir, appuyez sur le bouton du starter pour le mettre en position « FONCTIONNEMENT » pendant les 3 prochains tirs du cordon de recul. Trop de starter conduit à l'encrassement des bougies et à l'inondation du moteur en raison d'un manque d'air entrant. Ceci fera que le moteur ne démarrera pas.

### Démarrage manuel (Certains modèles)

1. Veillez à ce que le générateur soit placé sur une surface plate et de niveau.
2. Déconnectez toutes les charges électriques du générateur. Ne démarrez ni n'arrêtez jamais le générateur avec des appareils électriques branchés ou allumés.
3. Tournez le robinet de carburant en position « ON ».

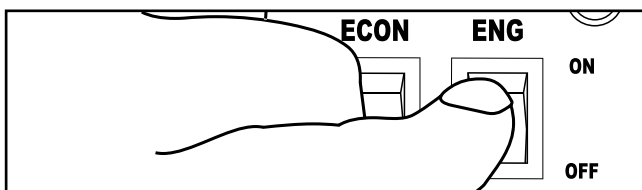


4. Tirez le bouton de starter vers la position « CHOKE ».

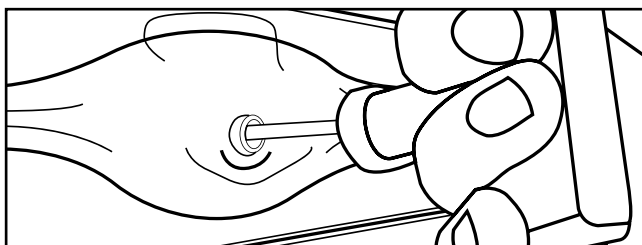


5. Appuyez sur le commutateur de batterie sur "ON".

6. Appuyez sur l'interrupteur du moteur sur "ON".



7. Tirez lentement le cordon de recul jusqu'à ce que vous sentiez une résistance puis tirez rapidement.



8. Tandis que le moteur chauffe, poussez le bouton du starter dans la position « FONCTIONNEMENT ».

### REMARQUE

**Pour les redémarrages d'essence avec un moteur chaud dans une température ambiante chaude > 86°F (30°C) :** Si le générateur ne démarre pas après le premier tir, appuyez sur le bouton du starter pour le mettre en position « FONCTIONNEMENT » pour les 3 prochains tirs. Trop de starter conduit à l'encrassement des bougies et à l'inondation du moteur en raison d'un manque d'air entrant. Ceci fera que le moteur ne démarrera pas.

## REMARQUE

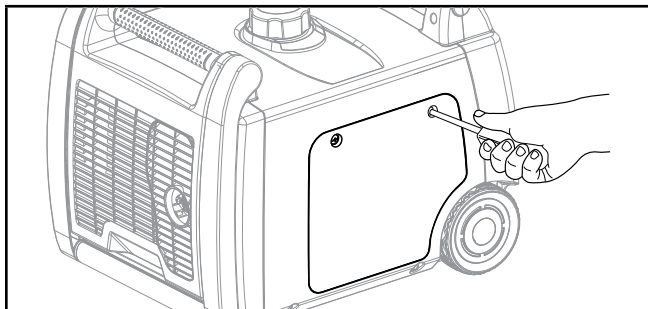
**Pour le démarrage de gaz dans une température ambiante froide < 59°F (15°C) :** Le starter doit entièrement se trouver en position « STARTER » pour les procédures de démarrage manuel. N'abusez pas du starter. Dès que le moteur démarre, poussez le bouton du starter dans la position « FONCTIONNEMENT ».

## REMARQUE

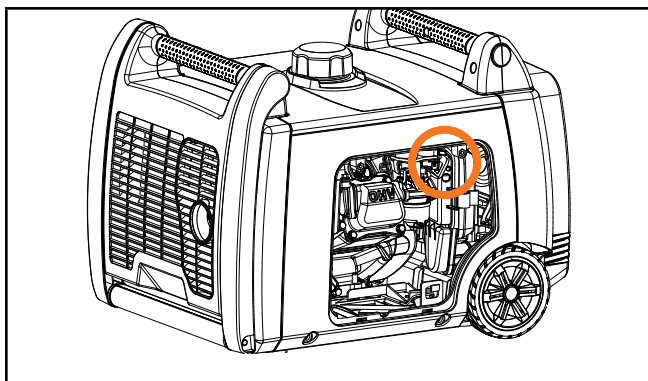
Si le moteur démarre mais que le fonctionnement s'interrompt, vérifiez que le générateur est sur une surface plate et de niveau. Le moteur est équipé d'un capteur de faible niveau d'huile qui évitera que le moteur ne fonctionne quand le niveau d'huile se situe sous le seuil critique.

## Démarrage manuel du starter (73001i-P uniquement)

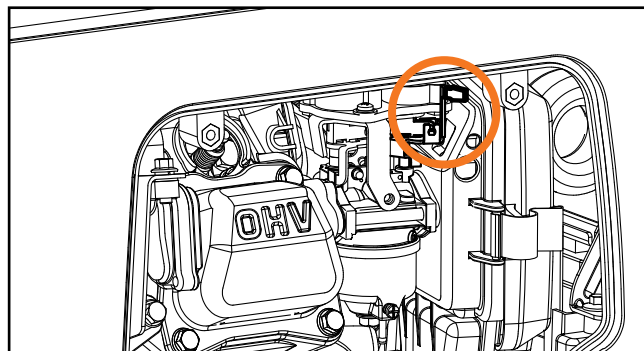
Si la batterie est morte ou incapable de produire suffisamment de courant pour alimenter le starter à bouton-poussoir, le starter lui-même peut être actionné manuellement pour aider à démarrer le moteur. Pour démarrer manuellement l'onduleur, procédez comme suit:



1. Desserrez les vis et retirez le couvercle de maintenance.



2. Localisez le levier de starter manuel jaune.



3. Tournez le levier de starter sur la position « CHOKE » (droite).
4. Tournez le robinet de carburant à la position « ON ».
5. Tournez le commutateur du moteur sur la position « ON ».
6. Tirez sur la corde de rappel jusqu'à ce que vous ressentiez une résistance, puis tirez rapidement.
7. Lorsque le moteur commence à se lancer, placez le levier de starter en position « RUN » (gauche)..

## AVERTISSEMENT

En tirant rigoureusement sur la corde du démarreur et en ne suivant pas les bonnes pratiques, il existe un risque d'endommager la corde ou le mécanisme et d'annuler toute garantie sur les pièces.

## Mode éco (économique)

Le bouton du Mode éco peut être activé pour activer le contrôle d'économie afin de minimiser la consommation de carburant et le bruit tout en faisant fonctionner l'appareil à des moments de sortie électrique réduite. Le Mode éco permet de mettre la vitesse du moteur au ralenti pendant les périodes de non-utilisation.

La vitesse du moteur revient à la normale quand une charge électrique est connectée. Quand le mode éco est à l'arrêt, le moteur fonctionne en continu à une vitesse normale.

## PRÉCAUTION

Lors des périodes de charge électrique élevée ou de fluctuations temporaires, le Mode éco doit être à l'arrêt.

## Connecter des charges électriques

Laissez le moteur se stabiliser et chauffer pendant quelques minutes après le démarrage.

Branchez et allumez les charges électriques souhaitées de 220/240 (si applicable) V CA monophasées, 50 Hz.

- NE connectez PAS des charges triphasées au générateur.
- NE PAS utiliser AC et DC en même temps

- NE connectez PAS de charges de 60 Hz au générateur.
- NE surchargez PAS le générateur.

### **AVERTISSEMENT**

Il peut être interdit par la loi de connecter un générateur aux lignes électriques de votre compagnie d'électricité ou à une autre source d'alimentation. De plus, cette action, si effectuée d'une mauvaise manière, pourrait endommager votre générateur et les appareils et causer de graves blessures voire même le décès, à vous ou à un employé de service public qui pourrait travailler sur des lignes de courant à proximité. Si vous planifiez d'utiliser un générateur électrique portable pendant une coupure de courant, veuillez en informer immédiatement votre compagnie d'électricité et n'oubliez pas de brancher directement vos appareils sur le générateur. Ne branchez pas le générateur dans une prise électrique de votre domicile. Vous créeriez une connexion aux lignes de courant de la compagnie d'électricité. Il relève de votre responsabilité de veiller à ce que l'électricité de votre générateur ne soient pas renvoyées dans les lignes de courant de la compagnie d'électricité.

Si le générateur sera connecté à un système électrique de bâtiment, consultez votre compagnie d'électricité locale ou un électricien qualifié. Les connexions doivent isoler l'électricité du générateur de l'électricité du réseau et doivent se conformer à toutes les lois et à tous les codes applicables.

## Ne surchargez pas le générateur

### Capacité

Suivez ces étapes simples pour calculer les watts de fonctionnement et de démarrage nécessaires à vos objectifs :

1. Sélectionnez les appareils électriques que vous planifiez d'utiliser en même temps.
2. Faites le total des watts de fonctionnement de ces appareils. Voici la quantité de puissance dont vous avez besoin pour que vos appareils fonctionnent.
3. Identifiez les watts de démarrage les plus élevés de tous les appareils identifiés à l'étape 1. Ajoutez ce nombre au nombre calculé à l'étape 2. Les watts de démarrage sont la pointe de puissance nécessaire au démarrage de certains équipements électriques. Suivez les étapes répertoriées sous « Gestion de la puissance » pour garantir que seul un appareil sera démarré à la fois.

### Gestion de la puissance

Utilisez la formule suivante pour convertir la tension et les ampères en watts :

$$\text{Volts} \times \text{Ampères} = \text{Watts}$$

Afin de prolonger la durée de vie de votre générateur et des appareils branchés, suivez ces étapes pour ajouter une charge électrique :

1. Démarrez le générateur sans charge électrique branchée.
2. Laissez le moteur fonctionner pendant quelques minutes pour qu'il arrive à température.
3. Branchez et allumez le premier appareil. Il est préférable de brancher en premier l'appareil ayant la plus importante charge.
4. Laissez le moteur se stabiliser.
5. Branchez et allumez l'appareil suivant.
6. Laissez le moteur se stabiliser.
7. Répétez les étapes 5-6 pour chaque appareil supplémentaire.

### **REMARQUE**

N'excédez jamais la capacité spécifiée lors de l'ajout de charges au générateur.

## Prise style automobile de 12 V CC

La ou les prises de 12 V CC peuvent être utilisées avec les accessoires fournis et d'autres prises style automobile de 12 V CC disponibles dans le commerce. La sortie CC n'est pas régulée et est susceptible d'endommager certains produits. Confirmez que la plage de tension d'entrée de votre appareil est d'au moins 12-24 V CC. Lors de l'utilisation de la prise CC, mettez l'interrupteur de Mode éco en position « FERMÉ ».

### **AVERTISSEMENT**

NE faites PAS fonctionner un appareil 12 V CC alors qu'il est branché à des charges électriques de 220 V/240 V, l'utilisation du CA/CC ensemble endommagera votre équipement ou le générateur.

N'essayez JAMAIS de faire fonctionner une charge 12 V CC quand le mode Eco est allumé, celui-ci doit être en position ARRÊT.

Ne faites JAMAIS fonctionner une charge 12 V CC quand celle-ci est branchée dans la prise.

Une exposition prolongée aux gaz d'échappement du moteur peut provoquer des blessures graves, voire mortelles.

### **PRÉCAUTION**

Lors de la charge d'un appareil, ne placez pas le côté d'échappement du côté du générateur. Une chaleur extrême causée par les gaz d'échappement peut endommager l'appareil et représenter un potentiel danger d'incendie.

## Charge de la batterie

1. Avant de connecter le câble de charge de la batterie (inclus) à la batterie installée dans un véhicule, déconnectez le câble de mise à la terre de la batterie du véhicule de la borne négative (-) de la batterie.
2. Branchez le câble de charge de la batterie dans le réceptacle 12 V CC du générateur.
3. Connectez le câble rouge de charge de la batterie (+) à la borne rouge de la batterie (+).
4. Connectez le câble noir de charge de la batterie (-) à la borne noire de la batterie (-).
5. Démarrez le générateur.

**Important :** La sortie 12 V CC est UNIQUEMENT destinée à être utilisée avec le câble de charge de la batterie 12 V CC fourni. La sortie 12 V CC n'est pas régulée et est susceptible d'endommager les autres produits de 12 V CC. Lors de l'utilisation de la prise 12 V CC, mettez l'interrupteur de Mode éco en position « FERMÉ ». Veuillez à ce que tous les appareils électriques, y compris les lignes et connecteurs, soient en bon état avant une connexion au générateur.

### PRÉCAUTION

Ne démarrez pas le véhicule alors que le câble de charge de la batterie est connecté et que le générateur fonctionne. Cela ne donnera pas de surcroît de puissance à la batterie. Il est possible que cela endommage le véhicule ou le générateur. Chargez uniquement des batteries plomb-acide humides ventilées. Les autres types de batteries sont susceptibles d'éclater, causant des blessures ou des dommages corporels.

### REMARQUE

Veuillez à ce que tous les appareils électriques, y compris les lignes et connecteurs, soient en bon état avant une connexion au générateur.

## Fonctionnement parallèle

Le modèle Champion est prêt à être utilisé en parallèle et peut fonctionner en parallèle avec un autre appareil Champion pour augmenter la puissance électrique totale disponible. Un kit parallèle Champion (équipement facultatif) est requis pour un fonctionnement en parallèle. Pour une liste des modèles compatibles pour commencer un kit parallèle, veuillez contacter votre distributeur local.

Des instructions détaillées pour l'installation et le fonctionnement du kit parallèle des générateurs connectés sont fournies dans le manuel de l'opérateur du kit parallèle.

## SMART Charging

Si votre groupe électrogène est fourni avec la fonction de charge intelligente (73001i-P, 73001i-DF), cette fonction peut être utilisée pour charger rapidement la batterie de bord par l'alimentation secteur. À l'aide de la prise de charge intelligente fournie, connectez-vous d'abord à la prise 12DC sur le panneau avant avant de connecter la prise à l'alimentation secteur..

### AVERTISSEMENT

Ne chargez pas pendant plus de 4 heures en continu, sinon des dommages pourraient survenir au générateur et (ou) au chargeur intelligent.

## Arrêter le moteur

1. Éteignez et débranchez toutes les charges électriques. Ne démarrez ni n'arrêtez jamais le générateur avec des appareils électriques branchés ou allumés.
2. Laissez le générateur tourner sans charge pendant plusieurs minutes pour stabiliser les températures internes du moteur et du générateur.
3. Tourner le robinet de carburant à la position "OFF".
4. Laissez tourner le moteur jusqu'à ce que la panne de carburant arrête le moteur. Cela prend généralement quelques minutes.
5. Tournez le contacteur d'allumage à la position "OFF".
6. Tourner le coupe-batterie en position « OFF » le cas échéant.

**Important :** Veuillez toujours à ce que le sélecteur de carburant et le levier d'aération du carburant soient dans la position « FERMÉ » lorsque le générateur n'est pas utilisé.

### REMARQUE

Si le générateur ne sera pas utilisé pendant une période de deux (2) semaines ou plus, retirez toujours le carburant. Voir la section Stockage pour le stockage approprié du moteur et du carburant.

### REMARQUE

Si le générateur est équipé d'une batterie, placez toujours l'interrupteur de la batterie sur la position "OFF" lorsque l'appareil n'est pas utilisé, cela empêchera la batterie de se décharger. Suivez les instructions d'entretien et de stockage pour le générateur et la batterie lorsque l'appareil ne sera pas utilisé pendant une période de 2 semaines ou plus.

## Déplacement du générateur

- Éteignez TOUJOURS le générateur et veuillez à ce que la vanne de carburant soit fermée.

- Veuillez TOUJOURS à ce que le moteur et le silencieux aient refroidis avant de pouvoir manipuler le générateur en toute sécurité (généralement 15-30 minutes).
- Soulevez l'appareil par la poignée de transport et déplacez-le vers l'emplacement souhaité.
- Ne faites pas tomber et ne cognez pas l'appareil. Ne placez pas d'objets lourds dessus.
- Le non-respect de ces instructions peut résulter en des blessures corporelles ou en des dommages faits au générateur.

## Fonctionnement à haute altitude

La densité de l'air à haute altitude est plus faible qu'au niveau de la mer. La puissance du moteur est réduite car la masse d'air et le rapport air-carburant diminuent. La puissance du moteur et la sortie du générateur seront réduites d'environ 3½ % pour chaque 1000 pieds d'altitude au-dessus du niveau de la mer. À haute altitude, il peut également en résulter une augmentation des émissions des gaz d'échappement en raison de l'augmentation de l'enrichissement du rapport air-carburant. La haute altitude peut inclure d'autres problèmes, notamment un démarrage difficile, une augmentation de la consommation de carburant et l'encrassement des bougies.

Afin d'atténuer les problèmes dus à la haute altitude autres que la perte naturelle de puissance, CPE peut fournir un gicleur principal du carburateur pour haute altitude. Le gicleur principal alternatif et les instructions d'installation peuvent être obtenus en contactant notre Tehnilise toe meeskond. Les instructions d'installation sont également disponibles dans l'espace Bulletin technique du site Web de CPE.

Le numéro de pièce et l'altitude minimum recommandée pour l'application du gicleur principal pour haute altitude sont répertoriés dans le tableau suivant.

Afin de sélectionner le gicleur principal pour haute altitude adéquat, il est nécessaire d'identifier le modèle de carburateur. À cet effet, un code est indiqué sur le côté du carburateur. Sélectionnez le bon numéro de pièce de gicleur pour haute altitude correspondant au code de carburateur trouvé sur votre carburateur en particulier.

### AVERTISSEMENT

Un fonctionnement à l'aide du gicleur principal alternatif à des altitudes inférieures à l'altitude minimum recommandée peut endommager le moteur. Pour un fonctionnement à une altitude inférieure, le gicleur principal standard fourni à l'origine doit être utilisé. Faire fonctionner le moteur avec la mauvaise configuration de moteur à une altitude donnée peut augmenter ses émissions et diminuer l'efficacité du carburant et la performance.

## ENTRETIEN

Assurez-vous que le générateur reste propre et soit correctement stocké. Ne faites fonctionner l'appareil que sur une surface plate et de niveau dans un environnement opérationnel propre et sec. N'exposez PAS l'appareil à des conditions extrêmes, à une poussière excessive, à de la saleté, à de la moisissure ou à des vapeurs corrosives.

### AVERTISSEMENT

Ne faites jamais fonctionner un générateur endommagé ou défectueux.

### AVERTISSEMENT

Un mauvais entretien annulera votre garantie.

### REMARQUE

Pour les Dispositifs et systèmes de contrôle des émissions, lisez et comprenez vos responsabilités concernant l'entretien comme indiqué dans la Déclaration de garantie du contrôle des émissions de ce manuel.

Le propriétaire/opérateur est responsable de tout l'entretien périodique.

Réalisez tout l'entretien planifié dans les délais.

Corrigez tout problème avant de faire fonctionner le générateur.

## Nettoyage du générateur

### PRÉCAUTION

Ne vaporisez PAS directement d'eau sur le générateur.

Il est possible que de l'eau pénètre dans le générateur par les fentes de refroidissement et endommage les enroulements du générateur. Elle peut également contaminer le système de carburant.

1. Utilisez un chiffon humide pour nettoyer les surfaces extérieures du générateur.
2. Utilisez une brosse souple pour retirer la saleté et l'huile.
3. Utilisez un compresseur d'air (25 PSI) pour nettoyer la saleté et les débris du générateur.
4. Inspectez toutes les aérations et les fentes d'aération pour veiller à ce qu'elles soient propres et non obstruées.

Pour éviter tout démarrage accidentel, retirez et mettez à la terre le fil de la bougie d'allumage avant d'effectuer un entretien.

## Changer l'huile moteur

### (Recommended Champion PowerX 10w30 oil)

Changez l'huile quand le moteur est chaud. Référez-vous aux spécifications de l'huile pour sélectionner le type approprié à votre environnement opérationnel.

1. Retirez le bouchon/jauge de remplissage d'huile.
2. Utilisez des pinces pour faire glisser le collier à ressort vers le bas du tuyau de vidange d'huile et retirez le tuyau du support du bouchon.
3. Pointez le tuyau dans un bac de récupération et laissez l'huile s'écouler complètement. Remarque : L'extrémité du tuyau doit être plus basse que la base du moteur pour permettre à l'huile de s'écouler.
4. Remplacez le flexible de vidange d'huile sur le support du bouchon et remettez la pince à ressort en place.
5. Ajouter de l'huile et remplacer le remplissage d'huile bouchon/jauge. NE PAS TROP REMPLIR.
6. Éliminer l'huile usagée dans une installation de gestion des déchets agréée..

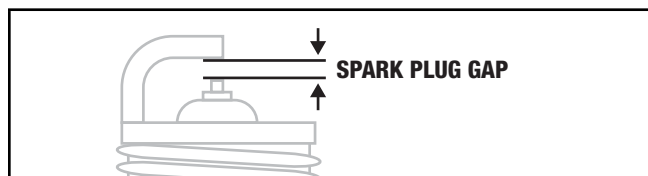
### REMARQUE

Une fois l'huile ajoutée, une inspection visuelle devrait montrer l'huile à 1-2 marques de débordement du trou de remplissage. Lors de l'utilisation de la jauge pour vérifier le niveau d'huile, NE vissez PAS la jauge lors de la vérification.

As a general rule on a flat level surface oil is full when it can be visually seen on the middle-upper threads of the port, Do Not overfill otherwise it will result in poor engine performance and/or damage to the engine.

## Nettoyage et ajustement de la bougie d'allumage

1. Retirez le bouchon d'accès à la bougie d'allumage depuis le panneau supérieur.
2. Retirez le câble de bougie d'allumage de la bougie d'allumage.
3. Utilisez un outil pour douille de bougie d'allumage (non inclus) ou une douille (non incluse mais peut être achetée séparément) pour retirer la bougie.
4. Inspectez l'électrode présente sur la bougie. Celle-ci doit être propre et non usée afin de produire l'étincelle requise pour l'allumage.



5. Référez-vous aux types de bougie d'allumage dans Spécifications lors du remplacement de la bougie.
6. Réinstallez fermement la bougie.
7. Fixez le câble de bougie d'allumage à la bougie d'allumage.
8. Réinstallez le bouchon d'accès à la bougie d'allumage et le couvercle d'entretien.

### For 73001i(EU), 73001i-P(EU)

- OEM spark plug: F6RTC
- Replacement spark plug: NGK BPR6ES or equivalent
- Make certain the \*spark plug gap is 0.7 - 0.8 mm or (0.028 - 0.031 in.).

### Maintenance Valve Clearance

- Intake: 0.06 - 0.12 mm (0.002 - 0.005 in.)
- Exhaust: 0.08 - 0.14 mm (0.003 - 0.006 in.)

### For 71001i(EU), 72301i(EU)

- OEM spark plug: E6RTC
- Replacement spark plug: NGK BPR6HS or equivalent
- Make certain the \*spark plug gap is 0.6 - 0.7 mm or (0.024 - 0.028 in.).

### Maintenance Valve Clearance

- Intake: 0.1 mm (0.004 in.)
- Exhaust: 0.1 mm (0.004 in.)

## Batterie du générateur

### Déconnecter la batterie

1. Retirez le couvercle de protection du fil noir (-) de la batterie.
2. Déconnectez le fil noir (-) de la borne noire (-) de la batterie et rangez la vis à tête et l'écrou.
3. Répétez les étapes 1-2 pour le fil rouge (+) de la batterie.
4. Stockez la batterie dans un endroit frais et sec.

### Charger la batterie

Dans le cas d'un générateur équipé de batteries pour le démarrage électrique, il convient de respecter les règles d'entretien et de stockage des batteries.

Un chargeur d'appoint ou un dispositif de maintien de la batterie doit être utilisé pour charger la batterie lorsque le générateur est stocké. Le taux de charge maximum ne doit pas excéder 1,5 A. Suivez les instructions fournies avec le chargeur ou le dispositif de maintien de la batterie. La batterie doit être pleinement chargée au moins une fois par mois.

## Batterie de la télécommande

### REMARQUE

- Achetez toujours la taille et la catégorie de batterie la plus adaptée à l'utilisation prévue.
- Nettoyez les contacts de la batterie ainsi que ceux de l'appareil avant d'installer la batterie.
- Retirez les batteries des appareils qui ne seront pas utilisés pendant une période prolongée.
- Retirez les batteries si elles ont été utilisées ou si le produit doit rester inutilisé pendant une longue période.

## Calendrier d'entretien

Suivez les intervalles d'entretien indiqués dans le calendrier d'entretien suivant.

Effectuez plus fréquemment un entretien sur votre générateur en cas de fonctionnement dans des conditions difficiles.

### CHAQUE 8 HEURES OU AVANT CHAQUE UTILISATION

- ⚙️ Vérifiez le niveau d'huile
- ⚙️ Nettoyez autour de l'admission d'air et du silencieux

### LES 5 PREMIÈRES HEURES (RODAGE)

- ⚙️ Changez l'huile

### CHAQUE 50 HEURES OU ANNUELLEMENT

- ⚙️ Nettoyez le filtre à air
- ⚙️ Changez l'huile en cas de fonctionnement sous une charge lourde ou dans des environnements chauds

### CHAQUE 100 HEURES OU ANNUELLEMENT

- ⚙️ Changez l'huile
- ⚙️ Nettoyez/ajustez la bougie d'allumage
- ⚙️ Nettoyez le pare-étincelles
- ⚙️ Nettoyez le filtre de la vanne de carburant\*

### CHAQUE 250 HEURES

- ⚙️ Nettoyez la chambre de combustion\*
- ⚙️ Vérifiez/ajustez le jeu de soupape\*

### CHAQUE 3 ANS

- ⚙️ Remplacez la conduite de carburant\*

\*Doit être effectué par des propriétaires compétents et expérimentés ou dans des centres d'entretien agréés par CPE.

## STOCKAGE

### DANGER

L'essence et les vapeurs d'essence sont hautement inflammables et extrêmement explosives.

Un incendie ou une explosion peut causer de graves brûlures voire le décès. Ne remplissez ou ne videz le carburant qu'en extérieur, dans une zone bien ventilée. N'insérez PAS directement la pompe à essence dans le générateur. Utilisez un contenant approuvé pour transférer l'essence au générateur. N'utilisez jamais un contenant d'essence, un réservoir d'essence ou tout autre article pour essence qui serait endommagé ou semblerait endommagé. NE remplissez PAS le réservoir d'essence de manière excessive. Conservez toujours le carburant loin des étincelles, des flammes nues, des veilleuses, de la chaleur et d'autres sources d'allumage. N'allumez ni ne fumez PAS de cigarettes.

## Stockage à court terme (jusqu'à 30 jours)

L'essence dans le réservoir d'essence a une durée de conservation maximum de 1 an avec l'ajout de stabilisants de carburant correctement formulés et si stockée dans un endroit frais et sec. L'essence dans le carburateur, cependant, peut encrasser le carburateur si elle n'est pas utilisée ni vidée dans les 2-4 semaines.

Si vous utilisez le générateur dans les 2 semaines, suivez les étapes selon la section *Arrêter le moteur*.

1. Si vous n'utilisez pas le générateur pendant 2-4 semaines, commencez par vous assurer que tous les appareils sont déconnectés du générateur.
2. Démarrez le générateur comme indiqué à la section *Démarrer le moteur*.
3. Laissez le moteur tourner jusqu'à ce qu'il s'arrête en raison d'un épuisement du carburant.
4. Un fois le moteur éteint, tournez le sélecteur dans le sens antihoraire sur la position « ARRÊT ».

## Stockage à moyen terme (30 jours - 1 an)

L'essence dans le réservoir a une durée de conservation maximum de 1 an avec l'ajout d'un stabilisant de carburant correctement formulé et stockée dans un endroit frais et sec.

1. Assurez-vous que tous les appareils sont déconnectés du générateur.
2. Ajoutez un stabilisant de carburant correctement formulé au réservoir d'essence.

3. Démarrez le moteur en suivant les instructions de la section *Démarrer le moteur*.
4. Faites fonctionner le générateur pendant 10 minutes afin que l'essence traitée effectue des cycles dans le système de carburant et le carburateur.
5. Laissez le moteur tourner jusqu'à ce qu'il s'arrête en raison d'un épuisement du carburant.
6. Un fois le moteur éteint, tournez le sélecteur dans le sens antihoraire sur la position « ARRÊT ».
7. Une fois que le carburant est épuisé et que le moteur s'est arrêté, laissez le moteur refroidir.
8. Retirez le couvercle d'entretien.
9. Retirez la bougie d'allumage et versez environ une cuillère à soupe d'huile dans le cylindre.
10. Tirez LENTEMENT le cordon pour faire tourner le moteur afin de distribuer et de lubrifier le cylindre.
11. Réinstallez la bougie d'allumage et le fil de la bougie d'allumage.
12. Réinstallez le couvercle d'entretien.
13. Nettoyez le générateur selon *Nettoyage du générateur*.
14. Stockez le générateur dans un endroit frais et sec à l'abri de la lumière directe du soleil.

## Stockage à long terme (plus de 1 an)

Pour un stockage supérieur à 1 an, le réservoir d'essence et le carburateur doivent être complètement vidés de l'essence.

1. Assurez-vous que tous les appareils sont déconnectés du générateur.
2. Placez l'onduleur sur des blocs pour permettre au contenant d'essence ou au bac approprié de glisser sous l'onduleur.
3. Retirez le couvercle d'entretien.
4. Tournez le sélecteur de carburant dans le sens horaire sur la position « FONCTIONNEMENT » complète.
5. À l'aide d'un tournevis Phillips, faites pivoter la vis de vidange dans le sens antihoraire (3) jusqu'à un tour complet. L'essence se vidangera par le tube transparent sous l'onduleur. Veillez à ce que l'essence vidangée se vide dans un contenant approprié.
6. Lorsque l'essence cesse de venir du tube transparent, faites pivoter la vis de vidange dans le sens horaire jusqu'à ce qu'elle soit serrée. Éliminez l'essence vidangée de manière appropriée selon les réglementations ou directives locales.
7. Tournez le sélecteur de carburant sur la position « ARRÊT ».
8. Suivez les étapes 8-12 suivant Stockage à court terme.

## Transport

Afin d'éviter d'éventuels déversements lors du transport ou pendant un stockage temporaire, l'appareil doit être sécurisé dans une position verticale dans sa position de fonctionnement normale, avec l'interrupteur de moteur sur ARRÊT. Le levier de vanne de carburant doit être sur ARRÊT.

### AVERTISSEMENT

Lors du transport :

Ne remplissez pas le réservoir de manière excessive. Ne faites pas fonctionner l'appareil alors qu'il se trouve dans un véhicule. Sortez l'appareil du véhicule et utilisez-le dans un endroit bien ventilé. Évitez un emplacement exposé à la lumière directe du soleil lorsque vous mettez l'appareil dans un véhicule. Si l'appareil est laissé dans un véhicule fermé pendant plusieurs heures, la température élevée à l'intérieur du véhicule peut causer une vaporisation du carburant, ce qui peut résulter en une possible explosion. Ne conduisez pas sur une route cahoteuse pendant une longue période quand l'appareil est à bord. Si vous devez transporter l'appareil sur une route cahoteuse, vidangez d'abord le carburant de l'appareil.

## Retrait du stockage

Si le générateur a mal été stocké pendant une longue période avec de l'essence dans le réservoir d'essence et/ou le carburateur, toute l'essence doit être vidangée et le carburateur doit être soigneusement nettoyé. Cette procédure implique des tâches techniques avancées. .

Si le réservoir d'essence et le carburateur ont été correctement vidés de toute l'essence avant que le générateur ne soit stocké, suivez les étapes ci-dessous lors du retrait du stockage.

1. Veillez à ce que le sélecteur de carburant soit sur la position « ARRÊT ».
2. Ajoutez de l'essence au générateur selon *Ajout de carburant*.
3. Déplacez le sélecteur de carburant sur la position « FONCTIONNEMENT ».
4. Après 5 minutes, vérifiez les zones du carburateur et du filtre à air à la recherche de fuite d'essence. Si une fuite est constatée, le carburateur devra être démonté et nettoyé ou remplacé. Si vous ne constatez pas de fuite d'essence, tournez le sélecteur de carburant sur la position « ARRÊT ».
5. Vérifiez le niveau d'huile du moteur et ajoutez de l'huile propre et fraîche si nécessaire. Consultez Spécifications de l'huile pour le type d'huile approprié.
6. Vérifiez et nettoyez le filtre à air de toute obstruction comme des insectes ou des toiles d'araignée. Si nécessaire, nettoyez le filtre à air selon *Nettoyage du filtre à air*.
7. Démarrez le générateur selon *Démarrer le moteur*.



## **⚠ DANGER**

Les gaz d'échappement du générateur contiennent du gaz de monoxyde de carbone, qui est inodore et incolore.

Pour éviter un allumage accidentel ou non intentionnel de votre générateur pendant les périodes de stockage, les précautions suivantes doivent être prises :

- Lors du stockage du générateur, veillez à ce que le sélecteur de carburant soit placé sur la position « ARRÊT ».

## **LES CONTRÔLES**

### **Télécommande sans fil (modèles sélectionnés)**

Ce groupe électrogène est équipé d'un système de télécommande sans fil pour le démarrage et l'arrêt. Le système se compose de (4) composants principaux :

- Module de contrôle du récepteur (RCM)
- Télécommande sans fil
- Coupe-batterie (bouton)
- Commutateur d'allumage (bouton)

Le contacteur d'allumage et le coupe-batterie doivent être allumés pour que les fonctions de la télécommande fonctionnent. Pour démarrer le générateur, appuyez une fois sur le bouton "start". Le moteur tentera de démarrer jusqu'à 6 fois. Le RCM engagera le starter automatique. Si le générateur ne démarre pas, appelez votre revendeur local. Pour arrêter le générateur, appuyez une fois sur le bouton "stop"..

### **Fonction d'alimentation de la télécommande**

Si le contacteur d'allumage (bouton) est laissé allumé, la batterie peut être complètement déchargée. Pour éviter l'épuisement de la batterie, mettez le contacteur d'allumage et le coupe-batterie en position d'arrêt.

### **Gestion de la charge du panneau d'alimentation**

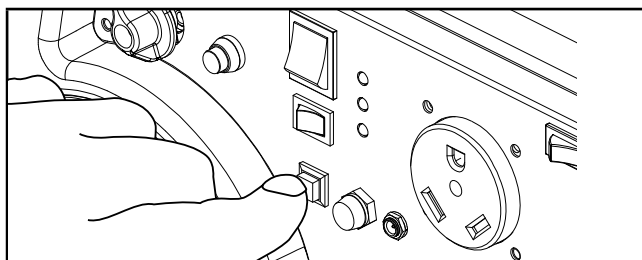
Lors du démarrage du générateur par télécommande, il y aura un délai de 15 secondes avant que le panneau d'alimentation ne soit opérationnel. Lorsque vous utilisez la télécommande pour arrêter le générateur, le panneau d'alimentation s'éteint immédiatement suivi du moteur 5 secondes plus tard. Le retard de tension marche/arrêt au démarrage et à l'arrêt ne se produit que lors de l'utilisation de la télécommande. Lors de l'utilisation du bouton de démarrage électrique ou de la méthode de démarrage

par lanceur, l'opérateur doit s'assurer que toutes les charges électriques (appareils) sont éteintes pendant le démarrage et l'arrêt. Le non-respect de cette consigne peut endommager le générateur ou les appareils connectés.

### **Bouton de réglage sans fil**

Le bouton de réglage sans fil est une fonction qui permet à l'utilisateur de synchroniser les télécommandes avec le générateur. On peut configurer jusqu'à deux télécommandes ou réinitialiser une télécommande avec le générateur. Pour réinitialiser une télécommande ou synchroniser deux télécommandes, procédez comme suit :

1. Tourner le contacteur d'allumage en position "ON".
2. Tourner le coupe-batterie en position « ON ».
3. Appuyez et maintenez le bouton de réglage sans fil à côté du voyant rouge (situé sur le panneau avant) pendant environ trois secondes ; le voyant rouge s'allumera.
4. Appuyez et relâchez le bouton « STOP » de la télécommande. Le voyant rouge clignote une fois pour effacer le programme à distance.
5. Appuyez et relâchez le bouton START. Le voyant rouge clignote une fois pour programmer la télécommande.
6. Appuyez sur le bouton de programmation et maintenez-le enfoncé pendant environ trois secondes jusqu'à ce que le voyant rouge s'éteigne.
7. Tester les fonctionnalités de démarrage et d'arrêt



#### **REMARQUE**

Seules deux télécommandes peuvent être synchronisées avec un générateur à la fois.

#### **REMARQUE**

Changer une pile de télécommande peut ne pas obliger l'utilisateur à réinitialiser la télécommande.

FR

## DÉPANNAGE

Problème	Cause	Solution
Le moteur ne démarre pas.	Pas de carburant.	Ajoutez du carburant.
	Bougie d'allumage défectueuse.	Nettoyez et ajustez la bougie d'allumage ou remplacez-la.
	Niveau d'huile faible.	Remplissez le carter jusqu'au niveau approprié.
		Placez le générateur sur une surface plate et de niveau.
	Fil de la bougie d'allumage desserré.	Fixez le fil à la bougie d'allumage.
	La vanne de carburant est fermée.	Ouvrez la vanne de carburant.
	Ancien carburant ou eau dans le carburant.	Videz le carburant et remplacez-le par du carburant frais.
Inondé par du carburant.	Laissez l'appareil reposer pendant 10 mn.	
Le moteur démarre mais tourne difficilement.	Starter dans la mauvaise position.	Déplacez le starter jusqu'à ce qu'il s'arrête dans la position FONCTIONNEMENT ou poussez-le complètement.
	Filtre à air sale.	Nettoyez ou remplacez le filtre à air.
	Vanne de carburant sale.	Nettoyez la vanne de carburant.
	Pare-étincelles obstrué.	Nettoyez le pare-étincelles.
Le moteur se coupe pendant le fonctionnement.	Plus de carburant.	Remplissez le réservoir de carburant.
	Niveau d'huile faible.	Remplissez le carter jusqu'au niveau approprié. Placez le générateur sur une surface plate et de niveau.
	Pare-étincelles obstrué.	Nettoyez le pare-étincelles.
Le générateur ne fournit pas assez de puissance ou surchauffe.	Le générateur est en surcharge.	Vérifiez la charge et ajustez-la. Voir « Connecter des charges électriques ».
	Filtre à air sale.	Nettoyez ou remplacez le filtre à air.
	Starter dans la mauvaise position.	Déplacez le starter jusqu'à ce qu'il s'arrête dans la position FONCTIONNEMENT ou poussez-le complètement.
Le moteur fonctionne mais pas de sortie CA.	Mauvaise connexion du cordon.	Vérifiez toutes les connexions.
	Le disjoncteur est ouvert.	Réinitialisez le disjoncteur.
	Câblage desserré.	Inspectez et resserrez les connexions de câblage.
	Autre.	Contactez la ligne d'assistance.
Le moteur peine ou faiblit.	Régulateur du moteur défectueux.	Contactez la ligne d'assistance.
	Vanne de carburant sale.	Nettoyez la vanne de carburant.
	Le carburateur est sale et fonctionne en mélange pauvre.	Contactez la ligne d'assistance.
	Starter dans la mauvaise position.	Déplacez le starter jusqu'à ce qu'il s'arrête dans la position FONCTIONNEMENT ou poussez-le complètement.
Déclenchement répété du disjoncteur.	Surcharge.	Vérifiez la charge et ajustez-la. Voir « Connecter des charges électriques ».
	Cordons d'alimentation ou appareil défectueux.	Vérifiez que les fils ne sont pas endommagés, dénudés ou effilochés. Remplacez l'appareil défectueux.
	Le disjoncteur est encore trop chaud.	Laissez l'appareil reposer pendant 5 mn.

## GARANTIE\*

CHAMPION POWER EQUIPMENT  
GARANTIE LIMITÉE DE 3 ANS

### Qualifications de la garantie

Pour enregistrer votre produit pour la garantie et une assistance technique du centre d'appels à vie GRATUITE, veuillez consulter :

<https://www.championpowerequipment.co.uk>

Pour compléter l'enregistrement, vous devrez inclure une copie du reçu d'achat comme preuve de l'achat original. La preuve d'achat est requise pour le service de garantie. Veuillez vous enregistrer dans les dix (10) jours suivants la date d'achat.

### Garantie réparation/remplacement

CPE garantit à l'acheteur original que les composants mécaniques et électriques seront exempts de défauts de matériau et de fabrication pendant une durée de trois (3) ans pour un usage domestique ou 1 000 heures, selon ce qui survient en premier, et un (1) an d'utilisation commerciale et industrielle ou 1 000 heures, selon ce qui survient en premier. Les frais de transport du produit soumis pour une réparation ou un remplacement dans le cadre de la présente garantie sont à entièrement à la charge de l'acheteur. La présente garantie ne s'applique qu'uniquement à l'acheteur original et n'est pas transférable. Pour les Conditions générales complètes, consultez [www.championpowerequipment.co.uk](http://www.championpowerequipment.co.uk).

### Ne retournez pas l'appareil au point d'achat

Contactez le Service technique de CPE et CPE dépannera votre problème par téléphone ou par e-mail. Si le problème n'est pas corrigé par cette méthode, CPE pourra, à sa discrétion, autoriser une évaluation, une réparation ou un remplacement de la pièce défectueuse ou du composant défectueux dans un Centre après-vente CPE. CPE vous fournira un numéro de cas pour le service de garantie. Veuillez le conserver pour toute référence future. Les réparations ou les remplacements sans autorisation préalable, ou dans un établissement de réparations non agréé, ne seront pas couverts par la présente garantie.

### Exclusions de la garantie

La présente garantie ne couvre pas les réparations ni l'équipement suivants :

#### Usure normale

Les produits dont les composants mécaniques et électriques ont besoin de pièces et de services périodiques pour fonctionner correctement. La présente garantie ne couvre pas la réparation quand l'usure normale a abîmé une pièce ou l'équipement dans son ensemble.

#### Installation, utilisation et entretien

La présente garantie ne s'applique pas aux pièces et/ou à la main-d'œuvre si le produit est réputé avoir été mal utilisé, négligé, impliqué dans un accident, maltraité, chargé au-delà des limites du produit, modifié, installé d'une mauvaise manière ou connecté

d'une mauvaise manière à un composant électrique. Un entretien normal n'est pas couvert par la présente garantie et ne doit pas obligatoirement avoir lieu dans un établissement ni par une personne agréé(e) par CPE.

### Autres exclusions

La présente garantie exclut ce qui suit :

- Défaut esthétique comme la peinture, les autocollants, etc.
- Les éléments soumis à usure comme les éléments de filtre, les joints toriques, etc.
- Les pièces accessoires comme les batteries de démarrage, les segments de piston et les couvercles de stockage.
- Les défauts dus à des catastrophes naturelles et autres cas de force majeure échappant au contrôle du fabricant.
- Les problèmes causés par des pièces qui ne sont pas des pièces d'origine de Champion Power Equipment.

Toute pièce réputée être endommagée par l'utilisateur.

Lorsqu'applicable, la présente garantie ne s'applique pas aux produits utilisés pour l'alimentation principale à la place d'un service public.

### Limites de la garantie implicite et des dommages indirects

Champion Power Equipment décline toute obligation de couvrir toute perte de temps, d'utilisation de ce produit, de fret, ou toute réclamation accessoire ou consécutive par quiconque de l'utilisation de ce produit. LA PRÉSENTE GARANTIE ET LES GARANTIES ANNEXES SUR LES SYSTÈMES DE CONTRÔLE DES ÉMISSIONS DE L'EPA BRITANNIQUE ET/OU DE LA CARB (LE CAS ÉCHÉANT) REMPLISSENT TOUTES LES AUTRES GARANTIES, EXPRESSES OU IMPLICITES, Y COMPRIS LES GARANTIES DE QUALITÉ MARCHANDE OU D'ADAPTATION À UN USAGE PARTICULIER.

Un appareil fourni en échange sera soumis à la garantie de l'appareil d'origine. La durée de la garantie régissant l'appareil échangé sera calculée en faisant référence à la date d'achat de l'appareil d'origine.

La présente garantie vous donne certains droits légaux qui peuvent changer selon l'État ou la Province. Votre État ou Province peut également avoir d'autres droits auxquels vous pourriez prétendre qui ne sont pas répertoriés dans la présente garantie.

FR

## Wstęp

Gratulujemy zakupu generatora inwertorowego. Należy postępować zgodnie z tymi instrukcjami i dbać o właściwe utrzymanie generatora.

## Przenośny generator prądowórczy

To urządzenie jest generatorem prądu przemiennego napędzanym silnikiem benzynowym i służy do dostarczania energii elektrycznej.

## Akcesoria

Firma CPE produkuje i dostarcza szereg akcesoriów. Aby uzyskać więcej informacji, skontaktuj się z lokalnym dealerem.

## Niniejsza broszura

Zastrzegamy sobie prawo do zmiany, modyfikacji lub ulepszenia produktu oraz niniejszej instrukcji bez wcześniejszego powiadomienia.

Należy zapisać model i numery seryjne, a także datę i miejsce zakupu, aby korzystać z tych informacji w przyszłości. Informacje te należy mieć pod ręką przy zamawianiu części oraz przy składaniu zapytań technicznych lub dotyczących gwarancji.

Wsparcie urządzeń zasilających marki Champion
Numer modelu
Numer seryjny
Data zakupu
Miejsce zakupu
Rodzaj oleju patrz punkt „Uzupełnianie oleju silnikowego”. Rodzaj paliwa patrz punkt „Tankowanie paliwa”.

Prosimy o zapoznanie się z poniższymi symbolami. Symbol bezpieczeństwa i słowa kluczowe stanowią ostrzeżenia dotyczącymi bezpieczeństwa. Aby uniknąć wypadków lub obrażeń, należy przestrzegać wszystkich instrukcji dotyczących bezpieczeństwa.

### ZAGROŻENIE

ZAGROŻENIE odnosi się do niebezpiecznej sytuacji, która w razie wystąpienia **spowoduje** śmierć lub poważne obrażenia.

### OSTRZEŻENIE

OSTRZEŻENIE odnosi się do niebezpiecznej sytuacji, która w razie wystąpienia **może** spowodować śmierć lub poważne obrażenia.

### OSTROŻNOŚĆ

UWAGA odnosi się do potencjalnie niebezpiecznej sytuacji, która w razie wystąpienia **może** spowodować lekkie lub umiarkowane obrażenia.

### OSTROŻNOŚĆ

Symbol UWAGA używany bez symbolu ostrzeżenia o bezpieczeństwie wskazuje potencjalnie niebezpieczną sytuację, która w razie wystąpienia **może** spowodować uszkodzenie mienia.

### UWAGA

Pozostajemy do dyspozycji w razie pytań dotyczących Twojego generatora. Prosimy o kontakt z lokalnym sprzedawcą.

## OSTRZEŻENIE

Przed uruchomieniem generatora należy uważnie zapoznać się z niniejszą instrukcją. Nieprzestrzeganie instrukcji może spowodować poważne obrażenia lub śmierć.

## OSTRZEŻENIE

Spaliny silnika z tego produktu zawierają substancje chemiczne o potwierdzonym szkodliwym działaniu; mogą one powodować poważne problemy zdrowotne, a także prowadzić do śmierci.

## ZAGROŻENIE

Spaliny generatora zawierają tlenek węgla: bezbarwny, bezwonny, trujący gaz. Wdychanie tlenu węgla powoduje nudności, zawroty głowy, omdlenia lub śmierć. Jeśli poczujesz zawroty głowy lub osłabienie, natychmiast wyjdź na świeże powietrze.

Generator można stosować tylko na zewnątrz pomieszczeń i w dobrze wentylowanych miejscach.

NIE WOLNO używać generatora wewnątrz jakichkolwiek budynków, w tym w garażach, piwnicach, szopach, jakichkolwiek zamkniętych czy osłoniętych pomieszczeniach, w tym w schowkach pojazdów rekreacyjnych.

NIE WOLNO dopuścić do przedostania się spalin do zamkniętego pomieszczenia przez okna, drzwi, otwory wentylacyjne lub inne otwory. **NIEBEZPIECZEŃSTWO – TLENEK WĘGLA:** Korzystanie z generatora w wewnątrz pomieszczeń **MOŻE SPowodować ŚMIERĆ W KILKA MINUT.**

## ZAGROŻENIE

Obracające się części mogą wciągnąć dłonie, stopy, włosy, odzież i/lub akcesoria.  
Może to spowodować urazową amputację lub inne poważne obrażenia.

Nie zbliżać rąk i stóp do obracających się części.  
Podpiąć i związać długie włosy i zdjąć biżuterię.  
Urządzenie wolno obsługiwać tylko, jeśli ma założone osłony.  
W pobliżu urządzenia NIE WOLNO nosić luźnych ubrań, mieć na sobie zwisających sznurków ani przedmiotów, które mogą zostać wciągnięte.

## OSTRZEŻENIE

Ten produkt zawiera baterię guzikową. Jej połączanie może spowodować poważne obrażenia lub śmierć w ciągu zaledwie 2 godzin. Należy natychmiast zwrócić się o pomoc medyczną.

## ZAGROŻENIE

Generator wytwarza wysokie napięcie.

NIE WOLNO dotykać nieosłoniętych przewodów ani gniazdek.  
NIE WOLNO używać przewodów elektrycznych, które są zużyte, uszkodzone lub postrzępione.  
NIE WOLNO używać generatora podczas opadów deszczu lub śniegu.  
NIE zezwalać nieletnim czy niewykwalifikowanym osobom na obsługę lub serwisowanie generatora.  
Użyć wyłącznika ziemnozwarciowego (GFCI) w wilgotnych strefach lub strefach, w których znajdują się materiały przewodzące, taki jak metalowe pokrycia podłoga.  
Należy użyć zatwierdzonego wyposażenia, aby odizolować generator od sieci dostawcy energii elektrycznej i powiadomić go przed podłączeniem generatora do sieci zasilania użytkownika.

## OSTRZEŻENIE

Iskry mogą spowodować pożar lub porażenie prądem.

### Serwisowanie generatora:

Odłączyć przewód świecy zapłonowej i umieścić go w miejscu, w którym nie może stykać się ze świecą.  
NIE WOLNO sprawdzać iskry, jeśli świeca jest wyjęta.  
Wolno stosować tylko zatwierdzone testery świec zapłonowych.

## OSTRZEŻENIE

Pracujące silniki wytwarzają ciepło. W razie kontaktu z silnikiem może dojść do poważnych oparzeń. Pod wpływem kontaktu palnego z silnikiem może dojść do zapłonu materiału.

NIE dotykać gorących powierzchni.  
Unikać kontaktu z gorącymi spalinami.  
Przed dotknięciem urządzenia należy odczekać, aż ostygnie.  
Wokół urządzenia ze wszystkich stron należy zapewnić co najmniej 9,14 metra (3 stopy) wolnej przestrzeni, aby zapewnić odpowiednie chłodzenie. Odległość od materiałów palnych musi wynosić co najmniej 1,5 metra (5 stóp).

## OSTRZEŻENIE

Zastosowania medyczne i resuscytacyjne.

W nagłych wypadkach natychmiast wezwać służby ratunkowe.  
NIGDY NIE WOLNO nie używać tego produktu do zasilania jakichkolwiek urządzeń podtrzymujących życie.  
NIGDY NIE WOLNO używać tego produktu do zasilania jakichkolwiek urządzeń medycznych.  
Jeśli użytkownik lub jakakolwiek osoba w jego gospodarstwie domowym korzysta ze sprzętu elektrycznego, od którego zależy utrzymanie życia, należy natychmiast poinformować dostawcę energii elektrycznej  
Należy natychmiast poinformować dostawcę energii elektrycznej, jeśli utrata zasilania może spowodować nagle zagrożenie dla zdrowia użytkownika lub jakiegokolwiek osoby w jego gospodarstwie domowym.

## ZAGROŻENIE

Paliwo i jego opary są wysoce łatwopalne i wybuchowe. Niezamierzone uruchomienie może spowodować poważne obrażenia.

### **Przy wlewaniu lub spuszczeniu benzyny:**

Wyłączyć generator i przed usunięciem korka wlewu paliwa odczekać co najmniej dwie minuty, aż ostygnie. Korek odkręcać powoli, aby zmniejszyć ciśnienie w zbiorniku.

Paliwo należy wlewać i spuszczać wyłącznie na zewnątrz pomieszczeń, w dobrze wentylowanym miejscu.

NIE pompować benzyny bezpośrednio do generatora na stacji benzynowej. Użyć zatwierdzonego kanistra, aby przelać paliwo do generatora.

NIE przepełniać zbiornika paliwa.

Paliwo należy zawsze przechowywać z dala od iskier, otwartego ognia, stałych płomyków podgrzewających, ciepła i innych źródeł zapłonu.

Nie zapalać ani nie palić papierosów.

### **Przy uruchamianiu generatora:**

Nie podejmować prób uruchamiania uszkodzonego generatora.

Upewnij się, że korek wlewu paliwa, filtr powietrza, świeca zapłonowa, przewody paliwowe i układ wydechowy są prawidłowo założone.

Przed próbą uruchomienia silnika należy zawsze odczekać, aż rozlane paliwo całkowicie odparuje.

Upewnić się, że generator stoi stabilnie na równym podłożu.

### **Podczas pracy generatora:**

NIE WOLNO przesuwać ani przechylać generatora podczas jego pracy.

NIE WOLNO przechylać generatora ani nie dopuszczać do rozlania paliwa lub oleju.

### **Podczas transportu lub serwisowania generatora:**

Upewnić się, że zawór odcinający paliwo jest w pozycji OFF (zamknięty), a zbiornik paliwa jest pusty.

Odlączyć przewód świecy zapłonowej.

Przechowywanie generatora:

**Przechowywać z dala od iskier, otwartego ognia, stałych płomyków podgrzewających, ciepła i innych źródeł zapłonu.**

## OSTRZEŻENIE

Działanie tego urządzenia może powodować iskrzenie, które mogą wywołać pożar, jeśli w jego pobliżu znajduje się sucha roślinność.

Może być wymagane zastosowanie iskrochron. Użytkownik powinien skontaktować się z miejscowymi organami odpowiedzialnymi a ochronę ppoż. z agencjami w celu uzyskania informacji na temat przepisów dotyczących wymów dziedzinie dotyczących zapobiegania pożarom.

## WARNING

Gwałtowny powrót linki rozrusznika spowoduje ruch ręki i ramienia w kierunku silnika szybsze niż reakcja puszczenia uchwytu, co może spowodować obrażenia.

Podczas uruchamiania silnika wolno pociągnąć linkę rozrusznika, aż do wycucia oporu, a następnie pociągnąć ją szybko, aby uniknąć odrzutu. NIE WOLNO uruchamiać ani nie zatrzymywać silnika, gdy urządzenia elektryczne są podłączone.

## OSTROŻNOŚĆ

Przekroczenie mocy roboczej generatora może spowodować uszkodzenie generatora i/lub podłączonych do niego urządzeń elektrycznych.

NIE WOLNO przeciążać generatora.

Uruchomić generator przed podłączeniem zasilanych nim urządzeń odczekać, aż praca silnika się ustabilizuje.

Podłączyć sprzęt elektryczny w pozycji wyłączonej, a następnie włączyć je, aby rozpocząć ich eksploatację.

Wyłączać sprzęt elektryczny przed zatrzymaniem generatora.

NIE WOLNO manipulować regulacją prędkości.

NIE WOLNO w żaden sposób modyfikować generatora.

## OSTROŻNOŚĆ

Niewłaściwe obchodzenie się z generatorem lub jego niewłaściwe użytkowanie może spowodować jego uszkodzenie, skrócenie jego żywotności lub utratę gwarancji.

Generators należy stosować wyłącznie zgodnie z jej przeznaczeniem.

Eksploatować tylko na równych powierzchniach.

NIE WOLNO narażać generatora na nadmierne działanie wilgoci, pyłu lub zabrudzeń.

NIE WOLNO dopuścić, aby jakikolwiek materiał zablokował szczeliny chłodzące.

Jeśli podłączone urządzenia przegrzewają się, wyłączyć je i odlączyć od generatora.

NIE WOLNO używać generatora, jeśli:

- Doszło do zaniku mocy elektrycznej
- Urządzenie iskrzy, dymi lub generuje płomień
- Urządzenie nadmiernie wibruje

Generator wymaga określonych czynności montażowych. To urządzenie jest dostarczane z fabryki bez oleju. Przed przystąpieniem do pracy urządzenie musi zostać odpowiednio napełnione paliwem i olejem.

W razie jakichkolwiek pytań dotyczących montażu generatora należy skontaktować się z lokalnym sprzedawcą. Należy mieć pod ręką numer seryjny i numer modelu.

### Wyjąć generator z kartonu wysyłkowego.

1. Umieścić karton wysyłkowy na twardej, płaskiej powierzchni.
2. Usunąć z kartonu całą zawartość z wyjątkiem generatora.
3. Korzystając z uchwytów do przenoszenia urządzenia, ostrożnie wyjąć generator z kartonu. (Zaleca się, aby generator podnosiły dwie osoby)

### Podłączanie akumulatora (modele z rozrusznikiem elektrycznym)

1. Za pomocą śrubokręta wykręcić dwie (2) śruby pokrywy konserwacyjnej z pokrywy konserwacyjnej akumulatora.
2. Po odkręceniu śrub można pociągnąć za gumowy zaczep na pokrywie, aby poluzować i zdjąć pokrywę konserwacyjną. A
3. Zdjąć pokrywę konserwacyjną akumulatora. A
4. Przeciąć opaskę zaciskową łączącą kable akumulatora.
5. Za pomocą śrubokręta odkręć śrubę akumulatora czerwonego, dodatniego (+) zacisku akumulatora.
6. Podłączyć czerwony, dodatni (+) przewód do dodatniego (+) zacisku akumulatora za pomocą śruby.
7. Naciągnąć gumową osłonę na złącze kabla akumulatora i zacisk akumulatora.
8. Powtórz kroki 5-7 w przypadku czarnego, ujemnego (-) przewodu akumulatora i czarnego, ujemnego (-) zacisku akumulatora.

### Podłączanie akumulatora – ciąg dalszy.

#### UWAGA

Jeśli kable akumulatora nie są widoczne po zdjęciu pokrywy konserwacyjnej akumulatora, należy pamiętać, że kable mogą znajdować się nad akumulatorem i nie być na widoku.



## Wlewanie oleju silnikowego

### ! OSTROŻNOŚĆ

NIE próbować obracać silnikiem lub uruchamiać go, zanim nie zostanie on prawidłowo napełniony zalecanym typem oleju o wymaganej objętości. Uszkodzenie silnika w wyniku nieprzestrzegania tych instrukcji spowoduje utratę gwarancji.

### Brak oleju w urządzeniu

Zalecany typ oleju to olej samochodowy 10W-30.

1. Umieścić generator na płaskiej, równej powierzchni.
2. Poluzować śruby pokrywy i zdjąć pokrywę konserwacyjną.
3. Usunąć korek wlewu oleju/bagnet, aby dolać olej.

### UWAGA

Po dolaniu oleju sprawdzić wizualnie poziom oleju: olej powinien sięgać 1-2 gwintów od górnej krawędzi otworu wlewowego.

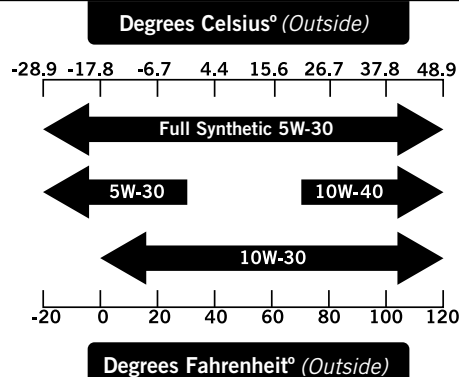
W razie użycia bagnetu do sprawdzania poziomu oleju, NIE wkręcać bagnetu przy sprawdzaniu.

### UWAGA

W okresie docierania należy często sprawdzać poziom oleju. Zalecane interwały serwisowe podano w punkcie Konserwacja.

4. Wlać olej i założyć korek wlewu oleju/bagnet. NIE PRZEPEŁNIAĆ.
5. Codziennie sprawdzać poziom oleju silnikowego i uzupełniać go w razie potrzeby.

## Wlewanie oleju silnikowego – ciąg dalszy.



### OSTROŻNOŚĆ

Silnik jest wyposażony w wyłącznik niskiego poziomu oleju i zatrzyma się, gdy poziom oleju w skrzyni korbowej spadnie poniżej poziomu progowego.

### UWAGA

Wirnik silnika ma uszczelnione, wstępnie nasmarowane łożysko kulkowe, które nie wymaga dodatkowego smarowania przez cały okres eksploatacji łożyska.

### UWAGA

Okres docierania urządzenia to pierwsze 5 godzin czasu pracy. W okresie docierania urządzenie eksploatować przy poziomie znamionowej mocy roboczej wynoszącym 50% lub niższym i od co pewien czas zmieniać obciążenie, aby umożliwić nagrzewanie i schładzanie uzwojeń stojana. Regulacja obciążenia powoduje również zmianę prędkości obrotowej silnika i ułatwia osadzanie się pierścieni tłoków. Po 5-godzinnym okresie docierania należy wymienić olej.

### UWAGA

Po 5-godzinnym okresie wstępnego docierania można stosować olej syntetyczny. Stosowanie oleju syntetycznego nie wydłuża zalecanego okresu między wymianami oleju.

### UWAGA

Warunki atmosferyczne wpływają na olej silnikowy i wydajność silnika. Typ oleju silnikowego należy dostosować do warunków atmosferycznych, pod kątem wymogów silnika.

## Tankowanie paliwa

1. Stosować czyste, świeże, zwykłego paliwo bezołowiowe o minimalnej liczbie oktanowej 85 i zawartości etanolu mniejszej niż 10% objętości.
2. NIE mieszać paliwa z olejem.
3. Oczyszczyć obszar wokół korka wlewu paliwa.
4. Usunąć korek wlewu paliwa.
5. Powoli wlej benzynę do zbiornika. NIE PRZEPEŁNIAĆ. Objętość benzyny może zwiększyć się po zatankowaniu. W celu umożliwienia zwiększenia się objętości benzyny w zbiorniku wymagane jest pozostawienie co najmniej wolnej objętości odpowiadającej 6 mm ( $\frac{1}{4}$  cala), przy czym zaleca się pozostawienie wolnej objętości przekraczającej 6,4 mm ( $\frac{1}{4}$ ). W przypadku przepełnienia zbiornika benzyna może wydostać się ze zbiornika w wyniku zwiększenia się objętości, co może negatywnie wpłynąć na stabilną pracę produktu. Podczas napełniania zbiornika zaleca się pozostawienie wystarczającej objętości, aby paliwo mogło się rozszerzyć.
6. Zakręcić korek wlewu paliwa i wytrzeć ewentualne rozlane paliwo.

### OSTROŻNOŚĆ

Używać zwykłej benzyny bezołowiowej o minimalnej liczbie oktanowej 85.

Nie mieszać benzyny z olejem.

Napełnić zbiornik do poziomu około (6 mm)  $\frac{1}{4}$  cala poniżej górnej ściany zbiornika, aby umożliwić rozprężanie się paliwa.

NIE pompować benzyny bezpośrednio do generatora na stacji benzynowej. Użyć zatwierdzonego kanistra, aby przelać paliwo do generatora.

NIE napełniać zbiornika paliwa w pomieszczeniach.

NIE napełniać zbiornika paliwa, gdy silnik pracuje lub jest gorący.

NIE przepełniać zbiornika paliwa.

NIE zapalać papierosów ani nie palić papierosów podczas napełniania zbiornika paliwa.

### OSTRZEŻENIE

Zbyt szybkie wlewanie paliwa przez sitko paliwa może spowodować wydmuchiwanie paliwa na osobę wlewającą paliwo.

## Tankowanie paliwa – ciąg dalszy.

### NOTE

Nasze silniki dobrze działają, jeśli są napędzane benzyną zawierającą 10% lub mniej etanolu. Stosując mieszanki benzyny i etanolu warto zwrócić uwagę na kilka kwestii:

- Mieszanki benzyny i etanolu mogą wchłaniać więcej wody niż sama benzyna.
- Mieszanki te mogą się ostatecznie rozdzielić, pozostawiając wodę lub wodnistą maź w zbiorniku, zaworze paliwa i gaźniku.
- W przypadku zasilania grawitacyjnego, zanieczyszczona benzyna może zostać wciągnięta do gaźnika i spowodować uszkodzenie silnika i/lub potencjalne zagrożenia.
- Tylko kilku dostawców oferuje stabilizatory paliwa, które są przeznaczone do pracy z mieszankami benzyny i etanolu
- Wszelkie uszkodzenia lub zagrożenia spowodowane użyciem niewłaściwej benzyny, niewłaściwie przechowywanej benzyny lub zastosowania niewłaściwych stabilizatorów nie są objęte gwarancją udzielaną przez producenta.

Jeśli urządzenie nie jest używane przez ponad 30 dni zaleca się, aby każdorazowo odcinać dopływ benzyny, uruchamiać silnik do czasu wyczerpania się paliwa i opróżnić zbiornik.

## Uziemienie

Agregat musi być prawidłowo podłączony do odpowiedniego uziemienia, aby zapobiec porażeniu prądem.

### OSTRZEŻENIE

Nieprawidłowe uziemienie agregatu może spowodować porażenie prądem.

W zestawie znajduje się zacisk uziemiający, podłączany do panelu agregatu (lokalizację zacisku wskazano w sekcji Elementy sterujące i funkcje). Aby zapewnić zdalne uziemienie, należy połączyć zacisk uziemiający agregatu i miedziany pręt wbity w ziemię za pomocą grubego przewodu miedzianego (minimum 12 AWG). Zdecydowanie zalecamy skonsultowanie się z wykwalifikowanym elektrykiem w celu zapewnienia zgodności z lokalnymi przepisami elektrycznymi.

## Miejsce pracy agregatu

NIE WOLNO uruchamiać agregatu w żadnym budynku, w tym w garażach, pojazdach, piwnicach, wnekach i szopach, ogrodzeniu lub przedziale, w tym w przedziale agregatu pojazdu rekreacyjnego. Należy skonsultować się z lokalnymi władzami. W niektórych regionach agregaty muszą zostać zarejestrowane w lokalnym przedsiębiorstwie użyteczności publicznej.

Agregaty używane na placach budowy mogą podlegać dodatkowym zasadom i przepisom. Agregaty należy zawsze ustawiać na płaskich, równych powierzchniach. (Nawet gdy nie działają) Agregaty muszą znajdować się w odległości co najmniej 5 stóp (1,5 m) od materiałów łatwopalnych. Dodatkowo, poza koniecznością zachowania odpowiedniej odległości od materiałów łatwopalnych, wokół agregatów należy pozostawić przestrzeń minimum 3 stóp (91,4 cm), aby umożliwić odpowiednie chłodzenie, a także dostęp w celu przeprowadzenia konserwacji lub serwisowania. Nie wolno uruchamiać ani nie obsługiwać agregatów w tylnej części pojazdu typu SUV, w przyczepach kempingowych, na naczepach, na tylnej części samochodu typu pick-up (regularnej, płaskiej lub innego typu), pod klatkami schodowymi, obok ścian lub budynków, lub w jakimkolwiek innym miejscu, które nie zapewnia odpowiedniego chłodzenia agregatu lub tłumika. NIE WOLNO odgradzać agregatów, gdy pracują. Przed magazynowaniem lub transportem należy odczekać, aż agregat odpowiednio ostygnie.

Należy zainstalować alarmy tlenku węgla na baterie lub podłączone do sieci elektrycznej z podtrzymaniem baterijnym w domu, zgodnie z instrukcjami producenta.

Agregaty należy zawsze ustawiać w dobrze wentylowanych obszarach. NIE WOLNO ustawiać agregatu w pobliżu otworów wentylacyjnych lub wlotu powietrza, gdzie spaliny mogłyby zostać wciągnięte do pomieszczenia, w którym przebywają ludzie, lub zamkniętych przestrzeni. Ustawiając agregat, należy zawsze rozważyć kierunek wiatru i prądy powietrzne.

Nieprzestrzeganie odpowiednich środków ostrożności może unieważnić gwarancję producenta.

### OSTRZEŻENIE

Nie wolno uruchamiać agregatu w deszczu, śniegu lub w trakcie mokrych warunków pogodowych ani nie wystawiać go na działanie takich warunków.

Używanie agregatu lub urządzeń elektrycznych w mokrych warunkach, np. w czasie deszczu lub opadów śniegu, lub w pobliżu basenu bądź systemu tryskaczowego, lub mokrymi rękoma, może spowodować porażenie prądem.

## OSTRZEŻENIE

Podczas pracy tłumik i produkowane spaliny mogą być gorące. Jeśli nie zostanie zapewnione odpowiednie chłodzenie i przestrzeń, zapewniająca odpowiednią wentylację, lub jeśli agregat jest zablokowany lub ogrodzony, jego temperatura może znacznie wzrosnąć, co może doprowadzić do pożaru.

## Uziemienie

W zestawie znajduje się zacisk uziemiający, podłączany do panelu agregatu. Masa systemu jest podłączona do przewodu neutralnego prądu przemiennego.

## Zdalne uruchamianie bezprzewodowe (funkcja opcjonalna)

Zdalne uruchamianie bezprzewodowe funkcjonuje w promieniu 24,3 m (80 stóp) od generatora. (Sygnał bezprzewodowy może nie przechodzić przez niektóre stałe objekty).

Nie wolno podejmować prób regulowania funkcji ssania gaźnika. Pilot i układ elektryczny automatycznie zamykają i otwierają ssanie.

1. Upewnić się, że generator znajduje się na płaskiej, równej powierzchni.
2. Wyłączyć wszystkie urządzenia elektryczne podłączone do generatora. Nigdy nie uruchamiać ani nie zatrzymywać generatora, gdy urządzenia elektryczne są włączone.
3. Ustawić zawór paliwa w pozycji „ON”
4. Przycisnąć przełącznik akumulatora do pozycji „ON”
5. Przycisnąć przełącznik zapłonu do pozycji „ON”.
6. BEZPRZEWODOWY ZDALNE ZURUCHAMIANIE: nacisnąć i zwolnić przycisk „START” na ręcznym pilocie zdalnego sterowania. NIE przytrzymywać przycisku, należy nacisnąć go tylko raz. Silnik podejmuje do sześciu prób uruchomienia.
7. Jeśli generator nie uruchamia się, sprawdzić stan akumulatora i połączenia kablowe.

### UWAGA

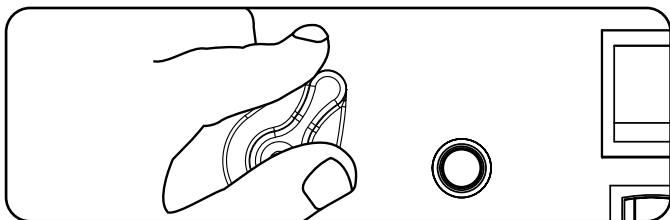
Dostarczony akumulator 12V 7AH ładuje się ponownie podczas pracy silnika, jednakże zaleca się doładowanie akumulatora do pełna co najmniej raz w miesiącu.

### UWAGA

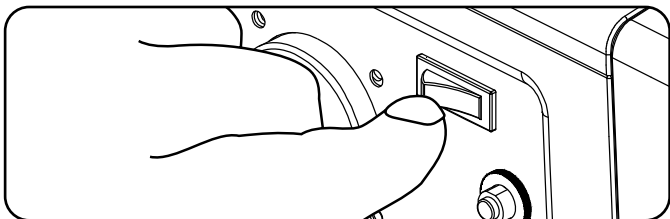
Gdy przełącznik akumulatora znajduje się w pozycji „ON”, przełącznik zaświeci się, jeśli akumulator jest rozładowany. Jeśli przełącznik nie świeci się w pozycji „ON”, sprawdzić, czy połączenie akumulatora jest prawidłowe.

## Rozruch elektryczny (opcjonalny) i rozruch ręczny

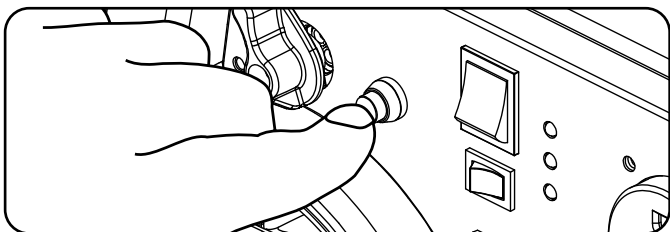
1. Upewnić się, że generator znajduje się na płaskiej, równej powierzchni.
2. Odłączyć wszystkie elektryczne urządzenia obciążające od generatora. Nigdy nie uruchamiać ani nie zatrzymywać generatora, gdy urządzenia elektryczne są podłączone lub włączone.
3. Ustawić zawór paliwa w pozycji „On”



1. Ustawić przełącznik akumulatora w pozycji „On”.



2. Wcisnąć przycisk ssania do pozycji „Choke”.



3. Ustawić przełącznik zapłonu w pozycji „On”.



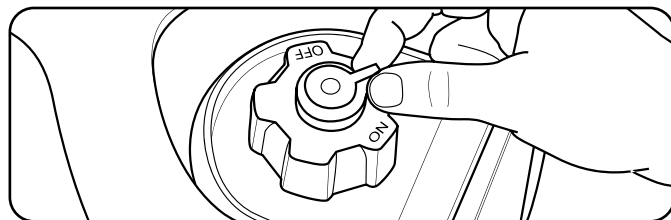
1. **ROZRUCH ELEKTRYCZNY:** Nacisnąć i przytrzymać przełącznik zapłonu w pozycji „START”. Zwolnić przełącznik, gdy silnik zacznie się obracać. Jeśli silnik nie uruchomi się w ciągu pięciu sekund, zwolnić przełącznik i odczekać co najmniej dziesięć sekund przed próbą ponownego uruchomienia silnika.
2. **URUCHAMIANIE ROZRUSZNIKIEM RĘCZNYM:** Wolno pociągnąć linkę rozrusznika, aż do wycucia oporu, a następnie pociągnąć ją szybko.
3. Gdy silnik się rozgrzeje, wcisnąć przycisk ssania do pozycji „Run”.

### UWAGA

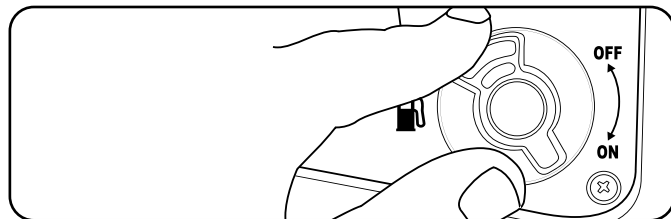
Przytrzymać przycisk ssania w pozycji „Choke” tylko przez 1 pociągnięcie rozrusznika ręcznego. Po pierwszym pociągnięciu wcisnąć przycisk ssania do pozycji „Run” na maksymalnie 3 kolejne pociągnięcia linki rozrusznika. Zbyt mocne ssanie prowadzi do zatarcia świec zapłonowych/zalania silnika z powodu braku dopływu powietrza. Spowoduje to, że silnik nie uruchomi się.

## Rozruch ręczny – Alternatywny model

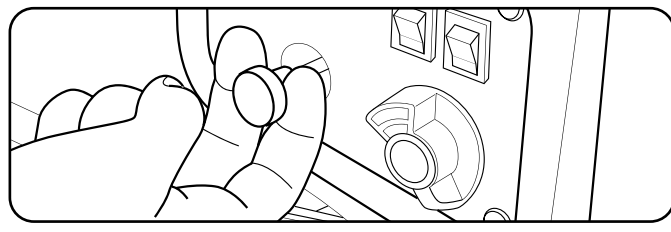
1. Upewnić się, że generator znajduje się na płaskiej, równej powierzchni.
2. Odłączyć wszystkie elektryczne urządzenia obciążające od generatora. Nigdy nie uruchamiać ani nie zatrzymywać generatora, gdy urządzenia elektryczne są podłączone lub włączone.
3. Przekręć dźwignię odpowietrzania korka wlewu paliwa do pozycji „On”.



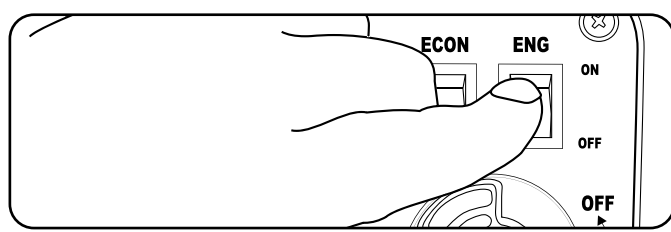
1. Ustawić zawór paliwa w pozycji „On”



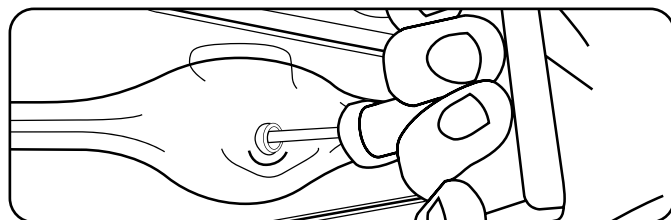
2. Wyciągnąć dźwignię ssania podczas uruchamiania generatora.



3. Ustawić przełącznik zapłonu w pozycji „On”.



1. Wolno pociągnąć linkę rozrusznika, aż do wycucia oporu, a następnie pociągnąć ją szybko.



2. Gdy silnik się rozgrzeje, wcisnąć przycisk ssania do pozycji „Run”.

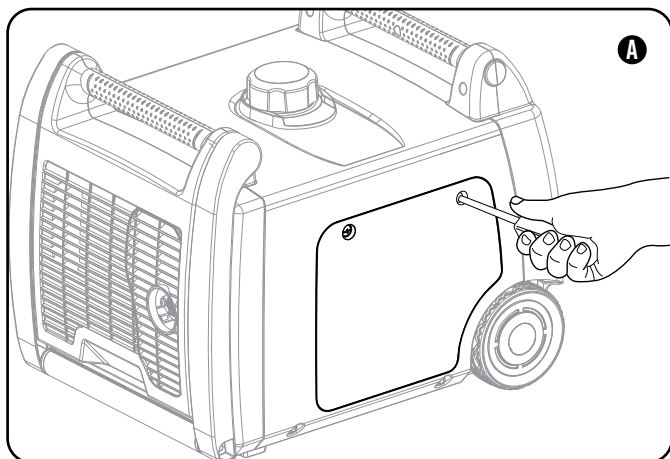
### UWAGA

Jeśli silnik uruchamia się, ale nie zaczyna pracować, upewnić się, że generator znajduje się na płaskiej, równej powierzchni. Silnik jest wyposażony w czujnik niskiego poziomu oleju, który zapobiega uruchomieniu silnika, gdy poziom oleju spadnie poniżej krytycznego poziomu.

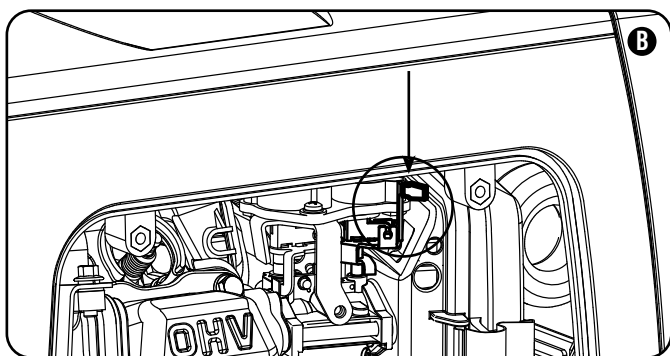
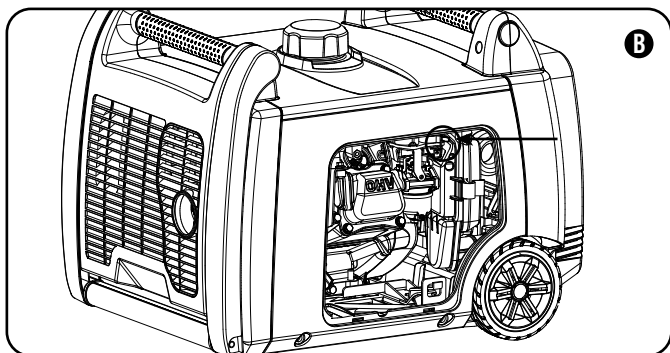
## Ręczne uruchomienie ssania – tylko model 73001i-P.

Jeśli akumulator jest rozładowany lub nie wytwarza zasilania wystarczającego do aktywowania zasilania przyciskiem, silnik można uruchomić poprzez ręczne uruchomienie samego ssania. Aby ręcznie aktywować ssanie i uruchomić inwerter, należy wykonać następujące czynności:

1. Poluzować śruby i zdjąć pokrywę konserwacyjną. A
2. Zlokalizować żółtą ręczną dźwignię ssania. (B)



3. Przekręć dźwignię ssania do pozycji „CHOKE” (w prawo). (B)
4. Ustawić zawór paliwa w pozycji „ON”.
5. Ustawić przełącznik silnika w pozycji „ON”.



6. Pociągnąć linkę rozrusznika, aż do wycucia oporu, a następnie pociągnąć szybko.
7. Gdy silnik zacznie się obracać, przesunąć dźwignię ssania do pozycji „RUN” (w lewo).

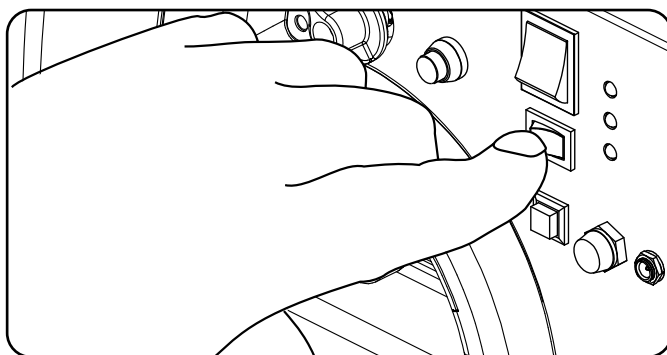
## Ręczne uruchomienie ssania – ciąg ciągły.

### UWAGA

Zatrzymać dźwignię ssania w pozycji „Choke” (prawej) tylko podczas 1 pociągnięcia za rozrusznik ręczny. Po pierwszym pociągnięciu przesunąć dźwignię ssania do pozycji „RUN” i utrzymać ją maksymalnie przez 3 kolejne pociągnięcia rozrusznika. Zbyt mocne ssanie prowadzi do zatarcia świec zapłonowych/zalania silnika z powodu braku dopływu powietrza. Spowoduje to, że silnik nie uruchomi się.

## Przełącznik Economy Control Switch

Aktywacja tego przełącznika minimalizuje zużycie paliwa i hałas, gdy generator nie pracuje przy pełnym obciążeniu. Gdy przełącznik jest wyłączony, generator pracuje z normalną prędkością w sposób ciągły.



### OSTRZEŻENIE

W okresach dużego obciążenia elektrycznego lub chwilowych wahań przełącznik Economy Control Switch powinien być wyłączony.

## Podłączanie obciążeń elektrycznych (zasilanych urządzeń)

1. Odczekać kilka minut po uruchomieniu, aby praca silnika się ustabilizowała, a silnik rozgrzał.
2. Podłączyć i wyłączyć żądane jednofazowe obciążenia elektryczne 120/240 V AC, 50 Hz.
  - NIE WOLNO podłączać do generatora obciążeń 3-fazowych.
  - NIE WOLNO podłączać do generatora obciążeń 60 Hz.
  - NIE WOLNO przeciążać generatora.
  - NIE WOLNO używać jednocześnie prądu przemiennego i stałego.

### UWAGA

Podłączenie generatora do linii zasilania danego dostawcy energii elektrycznej lub do innego źródła zasilania może być niezgodne z prawem. Ponadto w razie takiego podłączenia może dojść do uszkodzenia generatora i zasilanych urządzeń oraz poważnych obrażeń, w tym ze skutkiem śmiertelnym; uszkodzony może zostać użytkownik generatora jak i personel zakładu energetycznego, który wykonuje prace przy pobliskich liniach energetycznych. W razie gdy planowane jest uruchomienie przenośnego generatora energii elektrycznej w razie przerwy w dostawie energii elektrycznej, należy niezwłocznie powiadomić o tym danego dostawcę energii elektrycznej, a zasilane urządzenia muszą zostać podłączone bezpośrednio do generatora. Nie wolno podłączać generatora do żadnego gniazdka elektrycznego w domu. Może to spowodować utworzenie połączenia z liniami energetycznymi dostawcy energii energetycznej. Użytkownik odpowiada za zapewnienie się, że energia elektryczna z eksploatowanego przez niego generatora nie przepływa do linii energetycznych dostawcy.

Jeśli generator ma być podłączony do instalacji elektrycznej budynku, należy skonsultować się z danym dostawcą energii elektrycznej lub wykwalifikowanym elektrykiem. Połączenia muszą zapewniać odizolowanie mocy generatora od zasilania sieciowego i muszą być zgodne ze wszystkimi obowiązującymi przepisami. W przypadku korzystania z urządzeń 230 V AC nie zaleca się jednoczesnego korzystania z 12 V DC, ponieważ może to spowodować uszkodzenie generatora lub wyposażenia.

## Gniazdo prądu stałego 12 V

Gniazdo 12V DC może być używane z dołączonym kablem do ładowania i ładowarką USB oraz innymi dostępnymi na rynku wtyczkami samochodowymi 12V DC. Wyjście DC nie jest regulowane i może uszkodzić niektóre urządzenia. Upewnij się, że zakres napięcia wejściowego akcesoriów wynosi co najmniej 12-24 V DC. W przypadku korzystania z gniazda prądu stałego przełącznik trybu ekonomicznego należy ustawić w pozycji „OFF”.

### OSTRZEŻENIE

Nie używać urządzenia, gdy jest ono podłączone do gniazda 12V DC.

Długotrwałe narażenie na spaliny silnika może spowodować poważne urazy lub śmierć.

### OSTRZEŻENIE

Podczas ładowania urządzenia nie należy umieszczać go po stronie wylotowej generatora. Wysoka temperatura generowana przez spaliny może uszkodzić urządzenie i spowodować potencjalne zagrożenie pożarem.

## Zatrzymywanie silnika

1. Wyłączyć i odłączyć wszystkie urządzenia zasilane przez generator. Nigdy nie uruchamiać ani nie zatrzymywać generatora, gdy urządzenia elektryczne są podłączone lub włączone.
2. Generator powinien pracować bez obciążenia przez kilka minut, aby ustabilizowała się temperatura wewnętrzna silnika i generatora.
3. Ustawić zawór paliwa w pozycji „OFF”.
4. Pozostawić silnik w biegu jałowym do momentu zatrzymania silnika z powodu braku paliwa. Zwykle zajmuje to kilka minut.
5. Ustawić przełącznik zapłonu w pozycji „OFF”.
6. Ustawić przełącznik akumulator w pozycji „OFF” (o ile ma zastosowanie).

**Ważne:** Gdy silnik nie jest używany, zawór paliwa, przełącznik zapłonu i przełącznika akumulatora zawsze muszą znajdować się w pozycji „OFF”.

### UWAGA

Jeśli silnik nie będzie używany przez okres dwóch (2) tygodni lub dłużej, należy zapoznać się z punktem Przechowywanie, aby uzyskać informacje na temat prawidłowego przechowywania silnika oraz paliwa.

### UWAGA

Jeśli generator jest wyposażony w akumulator i nie jest używany, zawsze należy zawsze przestawiać przełącznik akumulatora na pozycję „OFF”, aby się nie rozładowywał. Gdy urządzenie nie jest używane przez okres 2 tygodni lub dłuższy, należy postępować zgodnie z instrukcjami konserwacji i przechowywania generatora oraz akumulatora.

## Nie wolno przeciążać generatora

### Zapotrzebowanie na prąd

Aby obliczyć zapotrzebowanie mocy wymagane do uruchomienia urządzeń i korzystania z nich w zależności od konkretnych potrzeb, wystarczy wykonać te proste czynności.

1. Wybierz urządzenia elektryczne, z których chcesz jednocześnie korzystać.
2. Zsumuj moc w watach wymaganą do działania tych urządzeń. Jest to energia potrzebna, aby mogły one działać.
3. Biorąc pod uwagę wszystkie urządzenia wskazane w kroku 1, ustal jaka jest maksymalna moc wymagana do ich uruchomienia. Dodaj ten wynik do liczby obliczonej w kroku 2. Moc rozruchowa to dodatkowy prąd potrzebny do uruchomienia niektórych urządzeń z napędem elektrycznym. Wykonanie czynności wymienionych w punkcie „Zarządzanie energią” zapewni, że w danym momencie będzie uruchamiane tylko jedno urządzenie.

### Zarządzanie energią

Użyj następującego wzoru, aby przeliczyć napięcie i natężenie prądu na waty:

$$\text{Wolty} \times \text{Ampery} = \text{Waty}$$

Aby przedłużyć żywotność generatora i podłączonych urządzeń, wykonaj następujące czynności, aby dodać poszczególne zasilane urządzenia:

1. Uruchom generator bez podłączonego obciążenia elektrycznego/urządzeń.
2. Odczekaj kilka minut, aż ustabilizuje się praca silnika.
3. Podłącz i włącz pierwsze urządzenie. W pierwszej kolejności najlepiej podłączyć urządzenie zużywające najwięcej energii
4. Odczekaj, aż praca silnika się ustabilizuje.
5. Podłącz i włącz następne urządzenie.
6. Odczekaj, aż praca silnika się ustabilizuje.
7. Powtórz kroki 5-6, podłączając każde dodatkowe urządzenie.

### UWAGA

Podłączając do generatora zasilane urządzenia, nigdy nie przekraczać wskazanej mocy obciążenia generatora.

## Działanie przy przeciążeniu

Kontrolka przeciążenia włączy się po przekroczeniu obciążenia znamionowego. Po osiągnięciu maksymalnego obciążenia dioda LED zaczyna migać i odcina zasilanie podłączonych urządzeń. Aby włączyć zasilanie, wyłączyć silnik, odczekać, aż kontrolka zgaśnie i ponownie uruchomić generator.

## Eksploatacja na dużych wysokościach

Należy pamiętać, że wydajność silnika może się zmniejszyć, a emisja spalin wzrosnąć podczas pracy na dużych wysokościach. Inne problemy na dużych wysokościach mogą obejmować utrudnienie rozruchu, zwiększenie zużycia paliwa i zanieczyszczenie świec zapłonowych. Są to naturalne zjawiska i nie można ich wyeliminować poprzez regulację silnika.

### OSTRZEŻENIE

Praca przy użyciu alternatywnej dyszy głównego na wysokości niższej niż zalecana minimalna wysokość może spowodować uszkodzenie silnika. Do pracy na niższych wysokościach należy użyć standardowej dyszy głównej. Eksploatacja silnika przy ustawieniu silnika niewłaściwym pod kątem danej wysokości może zwiększyć jego emisję oraz obniżyć efektywność paliwową i osiągi.

## Ważna informacja dotycząca temperatury roboczej

Ten produkt Champion Power Equipment został zaprojektowany i przystosowany do ciągłej pracy w temperaturach otoczenia do 40°C (104°F). W razie potrzeby urządzenie może być używane przez krótki w zakresie temperatur od -15°C (5°F) do 50°C (122°F). Jeśli podczas przechowywania generator jest narażony na działanie temperatur poza tym zakresem, przed rozpoczęciem korzystania z niego należy go zapewnić, że osiągnie temperaturę we wskazanym zakresie roboczym. Z urządzenia można korzystać wyłącznie na zewnątrz, w miejscu z dobrą wentylacją i z dala od drzwi, okien i innych otworów przez które przepływa powietrze.

Właściciel/użytkownika jest odpowiedzialny za wszystkie okresowe czynności konserwacyjne.

## **⚠ OSTRZEŻENIE**

Nigdy nie używaj uszkodzonego lub wadliwego generatora.

## **⚠ OSTRZEŻENIE**

Manipulowanie przy fabrycznie ustawionym regulatorze spowoduje utratę gwarancji.

## **⚠ OSTRZEŻENIE**

Niewłaściwe obchodzenie się z pompą spowoduje utratę gwarancji.

## **🗨 UWAGA**

Konserwację, wymianę lub naprawę urządzeń i układów kontroli emisji może wykonywać dowolny zakład naprawy silników nieprzeznaczonych do ruchu drogowego lub specjalista w tej dziedzinie.

Wszystkie czynności konserwacyjne należy wykonywać we wskazanych terminach. Przed uruchomieniem generatora należy usunąć wszystkie ewentualne problemy.

## **Konserwacja silnika**

Aby zapobiec przypadkowemu uruchomieniu, przed wykonaniem jakichkolwiek czynności serwisowych należy wyjąć i uziemić przewód świecy zapłonowej.

## **Olej**

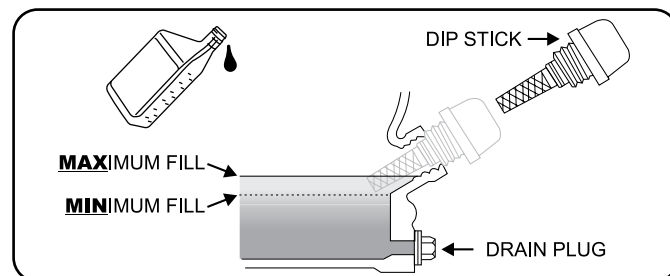
Olej należy wymieniać, gdy silnik jest ciepły. Zapoznać się ze specyfikacją oleju, aby wybrać rodzaj oleju odpowiedni do danego środowiska roboczego.

1. Usunąć korek wlewu oleju silnikowego/bagnet.
2. Za pomocą szczypic przesunąć sprężynę zaciskową w dół węża spustu oleju i wyciągnąć wąż ze wspornika wtyczki.
3. Włożyć wąż do miski ociekowej i odczekać, aż cały olej wypłynie.  
**Uwaga:** Końcówka węża musi znajdować się niżej niż podstawa silnika, aby umożliwić spływanie oleju.
4. Włożyć wąż spustowy oleju do wspornika korka i wsunąć sprężynę zaciskową z powrotem na miejsce.
5. Wlać olej i włożyć korek wlewu oleju/bagnet. **NIE PRZEPEŁNIAĆ.**
6. Zużyty olej utylizować poprzez zdanie do zatwierdzonego punktu utylizacji odpadów.

## **🗨 UWAGA**

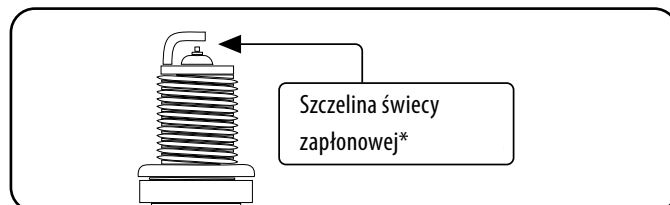
Po dolaniu oleju sprawdzić wizualnie poziom oleju: olej powinien sięgać 1-2 gwintów od górnej krawędzi otworu wlewowego.  
W razie użycia bagnetu do sprawdzania poziomu oleju, **NIE** wkręcać bagnetu przy sprawdzaniu.

## **Olej – ciąg dalszy.**



## **Świece zapłonowe**

1. Odłączyć przewód świecy zapłonowej od świecy zapłonowej.
2. Do usuwania świecy zapłonowej użyć narzędzia do świec zapłonowych (poza zestawem).
3. Sprawdzić elektrodę świecy. Aby wytwarzać iskry niezbędne do zapłonu, musi być czysta i nie może być zużyta.
4. Przy wymianie świecy zapłonowej należy zapoznać się z tabelą zaleceń dotyczących świecy zapłonowej.
5. Ostrożnie wkręcić świecę do silnika.
6. Użyć nasadki do świec zapłonowych (poza zestawem), aby mocno zainstalować świecę.
7. Podłączyć przewód świecy zapłonowej do świecy.



## **Do 73001i(UE), 73001i-P(UE)**

Świeca zapłonowa OEM: F6RTC

Zapasowa świeca zapłonowa: NGK BPR6ES lub odpowiednik

Sprawdzić\*, czy szerokość szczeliny świecy zapłonowej wynosi 0,7 - 0,8 mm (0,028 - 0,031 cala).

## **Serwisowanie luzu zaworowego**

- Dolotowy: 0,06 - 0,12 mm (0,002 - 0,005 cala).

- Wylotowy : 0,08 - 0,14 mm (0,003 - 0,006 cala).

## **Do 71001i(UE), 72301i(UE)**

Świeca zapłonowa OEM: E6RTC

Zapasowa świeca zapłonowa: NGK BPR6HS lub odpowiednik

Sprawdzić\*, czy szerokość szczeliny świecy zapłonowej wynosi 0,6 - 0,7 mm (0,024 - 0,028 cala).

## **Serwisowanie luzu zaworowego**

- Dolotowy: 0,1 mm (0,004 cala)

- Wylotowy : 0,1 mm (0,004 cala)

Uwaga: Biuletyn techniczny dotyczący procedury regulacji zaworów jest dostępny na stronie [www.championpowerequipment.com](http://www.championpowerequipment.com)



## Ładowanie akumulatora

W przypadku generatora wyposażonego w akumulatory do rozruchu elektrycznego należy przestrzegać instrukcji prawidłowej konserwacji i przechowywania akumulatora. Do ładowania akumulatora należy używać ładowarki z funkcją automatycznego ładowania (poza zestawem). Maksymalna szybkość ładowania nie powinna przekraczać 1,5 amperosekundy. Postępować zgodnie z instrukcjami dołączonymi do ładowarki. Akumulator doładowywać do pełna co najmniej raz w miesiącu.

### UWAGA

Ładowarka konserwacyjna utrzymuje stan akumulatora przez długie okresy przechowywania.

## Odłączanie akumulatora

1. Zdjąć pokrywę panelu akumulatora.
2. Zdjąć osłonę zabezpieczającą czarnego/ujemnego przewodu akumulatora.
3. Odłączyć/ujemny przewód od czarnego/ujemnego zacisku akumulatora i zachować śrubę nakładki i nakrętkę.
4. Powtórzyć kroki 1-2 w przypadku czerwonego/dodatniego przewodu akumulatora.
5. Akumulator przechowywać w chłodnym i suchym miejscu.

## Bateria pilota zdalnego sterowania

### UWAGA

- Należy kupować baterie o odpowiednim rozmiarze i klasie, najbardziej odpowiednią do zamierzonego zastosowania.
- Wyczyścić styki baterii, a także styki urządzenia przed założeniem baterii.
- Jeśli dane urządzenie nie ma być używane przez dłuższy czas, należy wyjąć z niego baterie.
- Baterie należy usunąć, jeśli są zużyte lub jeśli produkt nie będzie używany przez dłuższy czas.

## Konserwacja generatora

Generator należy utrzymywać w czystości i odpowiednio przechowywać. Generator może pracować wyłącznie na płaskiej, równej powierzchni w czystym i suchym środowisku. NIE WOLNO narażać urządzenia na działanie ekstremalnych warunków, nadmierne zapylenie, zabrudzenie, wilgoć lub opary.

### OSTROŻNOŚĆ

NIE WOLNO używać węża ogrodowego do czyszczenia generatora.

Woda może dostać się do generatora przez szczeliny chłodzenia i uszkodzić uzwojenia generatora.

## Konserwacja generatora – ciąg dalszy.

Zewnętrzne powierzchnie generatora czyścić zwilżoną ścierką.

Zabrudzenia i olej usunąć szczotką z miękkim włosiem.

Użyć sprężarki powietrza (1,7 bara/25 PSI), aby usunąć z generatora zabrudzenia i zanieczyszczenia.

Sprawdzić wszystkie otwory wentylacyjne i szczeliny chłodzenia pod kątem czystości i drożności.

## Przechowywanie

Generator należy uruchamiać co najmniej raz na 14 dni i powinien pracować przez co najmniej 20 minut. W przypadku dłuższego przechowywania należy postępować zgodnie z poniższymi wskazówkami.

## Przechowywanie generatora

1. Włączyć do zbiornika paliwa odpowiedni stabilizator paliwa.
2. Upewnić się, że wszystkie urządzenia są odłączone od generatora.
3. Pozostawić pracujący generator na kilka minut, aby uzdatnione paliwo przeszło przez układ paliwowy i gaźnik.
4. Ustawić zawór paliwa w pozycji „Off”.
5. Pozostawić generator do momentu zatrzymania silnika z powodu braku paliwa. Zwykle zajmuje to kilka minut.
6. Przed czyszczeniem i przechowywaniem generator musi całkowicie ostygnąć.
7. Zdjąć nasadkę świecy zapłonowej, a następnie 3 razy pociągnąć uchwyt rozrusznika, aby spuścić benzynę z dysz gaźnika.
8. Wymiana oleju silnikowego.
9. Wymontować świecę zapłonową i włączyć do cylindra olej o objętości odpowiadającej ok. jednej łyżce stołowej. Powoli obracać silnikiem, aby rozprowadzić olej i nasmarować cylinder.
10. Ponownie podłączyć świecę zapłonową.
11. Urządzenie należy przechowywać w czystym, suchym miejscu nienarażonym bezpośrednio promieniowaniem słonecznym.

### ZAGROŻENIE

Spaliny generatora zawierają bezwonny i bezbarwny tlenek węgla.

Aby uniknąć przypadkowego lub niezamierzonego zapłonu generatora z funkcją zdalnego rozruchu podczas przechowywania, należy przestrzegać następujących środków ostrożności:

- Przechowując generator przez krótki czas, upewnić się, że wyłącznik zapłonu, zawór paliwa i wyłącznik akumulatora są ustawione w pozycji OFF.
- Przechowując generator przez dłuższy czas, upewnić się, że wyłącznik zapłonu, zawór paliwa i wyłącznik akumulatora są ustawione w pozycji OFF, a przewody akumulatora zostały odłączone od akumulatora.

## Harmonogram konserwacji

Należy przestrzegać okresów między serwisami wskazanych w poniższym harmonogramie konserwacji.

W przypadku eksploatacji generatora w trudnych warunkach czynności serwisowe należy wykonywać częściej.

<b>Co 8 godzin lub codziennie</b>	
	Sprawdzić poziom oleju
	Wyczyścić powierzchnie w pobliżu wlotu powietrza i tłumika
<b>Pierwsze 5 godzin eksploatacji</b>	
	Wymienić olej
<b>Co 50 godzin lub raz w sezonie</b>	
	Wyczyścić filtr powietrza
	Wymienić olej w przypadku pracy pod dużym obciążeniem lub w gorącym otoczeniu
<b>Co 100 godzin lub raz w sezonie</b>	
	Wymienić olej
	Wyczyścić/wyregulować świecę zapłonową
	Sprawdzić/wyregulować luz zaworowy*
	Wyczyścić iskrochron
	Wyczyścić zbiornik paliwa i filtr paliwa*
<b>Co 250 godzin</b>	
	Wyczyścić komorę spalania*
<b>Co 3 lata</b>	
	Wymienić przewód paliwowy

\*Czynności te powinni wykonywać wykwalifikowani, doświadczeni właściciele urządzenia lub certyfikowani dealerzy Champion Power Equipment.

<b>Problem</b>	<b>Przyczyna</b>	<b>Rozwiązanie</b>
Generator nie uruchamia się	Brak paliwa	Dolać paliwo
	Uszkodzenie świecy zapłonowej	Wymienić świecę zapłonową
	Urządzenie pod obciążeniem podczas rozruchu	Usunąć obciążenie urządzenia
Generator nie uruchamia się; Generator uruchamia się, ale pracuje nierówno	Niski poziom oleju	Napełnić skrzynię korbową do odpowiedniego poziomu Umieścić generator na płaskiej, równej powierzchni
	Nieprawidłowa pozycja dławika	Wyregulować ssanie
	Poluzowanie przewodu świecy zapłonowej	Podłączyć przewód do świecy zapłonowej
Generator nie uruchamia się bezprzewodowo	Bateria pilota zdalnego sterowania jest rozładowana	Wymienić baterię w pilocie zdalnego sterowania
	Akumulator generatora jest rozładowany	Naładować akumulator generatora
	Wyłącznik akumulatora znajduje się w pozycji „OFF”	Ustawić przełącznik akumulatora w pozycji „ON”
Nie można uruchomić generatora przy użyciu rozrusznika elektrycznego	Akumulator generatora jest rozładowany	Naładować akumulator generatora
	Wyłącznik akumulatora znajduje się w pozycji „OFF”	Ustawić przełącznik akumulatora w pozycji „ON”
Generator wyłącza się podczas pracy	Brak paliwa	Napełnić zbiornik paliwa
	Niski poziom oleju	Napełnić skrzynię korbową do odpowiedniego poziomu. Umieścić generator na płaskiej, równej powierzchni
Generator nie zapewnia wystarczającej ilości energii lub przegrzewa się	Generator jest przeciążony	Skontrolować obciążenie i odpowiednio je dostosować. Zobacz „Zarządzanie energią”
	Niedostateczna wentylacja	Sprawdzić pod kątem ograniczenia przepływu powietrza. Przenieść urządzenie do miejsca o dobrej wentylacji
Brak prądu AC na wyjściu	Kabel nie jest prawidłowo podłączony	Sprawdzić wszystkie połączenia
	Podłączone urządzenie jest uszkodzone	Wymienić uszkodzone urządzenie
	Aktywowany wyłącznik automatyczny	Zresetować wyłącznik automatyczny
	Poluzowane okablowanie	Sprawdzić i dokręć połączenia przewodów
	Inne problemy	Skontaktować się z infolinią
Wielokrotne wyzwalanie wyłącznika automatycznego	Przeciążenie	Skontrolować obciążenie i odpowiednio je dostosować. Zobacz „Zarządzanie energią”
	Wadliwe przewody lub urządzenie	Sprawdzić pod kątem uszkodzonych, odsłoniętych lub postrzępionych przewodów. Wymienić uszkodzone urządzenie

---

## Bezprzewodowy pilot zdalnego sterowania

Ten generator jest wyposażony w bezprzewodowy system zdalnego sterowania umożliwiający jego uruchamianie i zatrzymywanie. System składa się z (4) głównych elementów:

- Moduł sterujący odbiornika (RCM)
- Bezprzewodowy pilot zdalnego sterowania
- Przełącznik akumulatora (przycisk)
- Przełącznik zapłonu (przycisk)

Zarówno przełącznik zapłonu jak i przełącznik akumulatora muszą być włączone, aby funkcje pilota działały. Aby uruchomić generator, naciśnięcie przycisk „start”. Silnik podejmuje do 6 prób uruchomienia. RCM włącza automatyczne ssanie. Jeśli generator nie uruchamia się, należy skontaktować się z lokalnym sprzedawcą. Aby zatrzymać generator, naciśnięcie przycisk „stop”.

### Funkcja zasilania pilota zdalnego sterowania

Jeśli przełącznik zapłonu (przycisk) pozostanie włączony, akumulator może zostać całkowicie rozładowany. Aby zapobiec rozładowaniu akumulatora, przekręcić zarówno przełącznik zapłonu, jak i przełącznik akumulatora do pozycji wyłączonej.

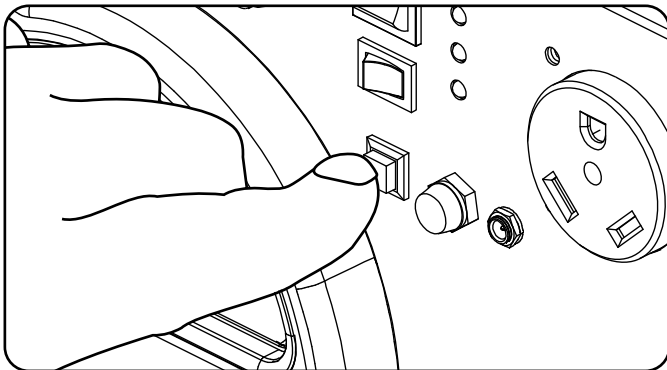
### Zarządzanie obciążeniem panelu zasilania

Podczas uruchamiania generatora za pomocą pilota nastąpi 15-sekundowe opóźnienie przed uruchomieniem panelu zasilania. W przypadku korzystania z pilota do zatrzymania generatora panel zasilania natychmiast się wyłączy, a następnie po 5 sekundach wyłączy się silnik. Funkcja opóźnienia napięcia włączenia/wyłączenia przy uruchamianiu i wyłączaniu działa tylko w przypadku korzystania z pilota zdalnego sterowania. W przypadku korzystania z funkcji przycisku rozruchu elektrycznego lub stosowania rozruchu ręcznego użytkownik musi upewnić się, że wszystkie obciążenia elektryczne (zasilane urządzenia) są wyłączone podczas uruchamiania i wyłączania. Niezastosowanie się do tej instrukcji może spowodować uszkodzenie generatora lub podłączonych urządzeń.

## Przycisk ustawiania funkcji bezprzewodowej

Przycisk ustawiania funkcji bezprzewodowego umożliwia użytkownikowi zsynchronizowanie pilotów zdalnego sterowania z generatorem. Można ustawić maksymalnie dwa piloty lub zresetować pilota generatora. Aby zresetować pilota lub zsynchronizować dwa piloty, należy wykonać następujące czynności:

1. Ustawić przełącznik zapłonu w pozycji „ON”.
2. Ustawić przełącznik akumulatora w pozycji „ON”.
3. Nacisnąć i przytrzymać przycisk ustawiania funkcji bezprzewodowej obok czerwonej lampki (znajdującej się na panelu przednim) przez około trzy sekundy; Zaświeci się czerwone światło.
4. Nacisnąć i zwolnić przycisk „STOP” na pilocie. Czerwona lampka błysnie raz, nastąpi usunięcie zdalnego programu.
5. Nacisnąć i zwolnić przycisk START. Czerwona lampka błysnie, nastąpi zaprogramowanie funkcji bezprzewodowej.
6. Nacisnąć i przytrzymać przycisk programowania przez około trzy sekundy, aż zgaśnie czerwona lampka.
7. Testowanie funkcji uruchomienia i zatrzymania



### UWAGA

Jednorazowo z jednym generatorem zsynchronizować tylko dwa piloty zdalnego sterowania.

### UWAGA

Przy wymianie baterii pilota resetowanie pilota może nie być konieczne.

## Działanie równoległe

Dwa (2) generatory prądotwórcze Champion mogą pracować równoległe, aby zwiększyć całkowitą dostępną moc. Do pracy równoległej wymagany jest zestaw równoległy Champion (wyposażenie opcjonalne). Informacje o dostępności zestawu można znaleźć na stronie [www.championpowerequipment.co.uk](http://www.championpowerequipment.co.uk)

Szczegółowe instrukcje dotyczące instalacji zestawu równoległego i obsługi podłączonych generatorów znajdują się w instrukcji obsługi użytkownika zestawu równoległego.

## GWARANCJA\*

CHAMPION POWER EQUIPMENT  
3-LETNIA OGRANICZONA GWARANCJA

### Kwalifikacje gwarancyjne

Aby zarejestrować produkt w celu uzyskania gwarancji i BEZPŁATNEJ telefonicznej pomocy technicznej przez cały okres użytkowania, należy wejść na stronę:

<https://www.championpowerequipment.co.uk>

Aby przeprowadzić rejestrację, należy dołączyć kopię dowodu zakupu jako dowód oryginalnego zakupu. Aby otrzymać serwis gwarancyjny, niezbędny jest dowód zakupu. Należy zarejestrować urządzenie w ciągu dziesięciu (10) dni od daty zakupu.

### Gwarancja naprawy/wymiany

Firma CPE gwarantuje pierwotnemu nabywcy, że elementy mechaniczne i elektryczne będą wolne od wad materiałowych i wykonawczych przez okres trzech (3) lat w przypadku użytku domowego lub przez 1000 godzin, w zależności od tego, które nastąpi jako pierwsze, oraz jednego (1) roku w przypadku użytku komercyjnego i przemysłowego lub 1000 godzin, w zależności od tego, które nastąpi wcześniej. Koszty transportu produktu przekazanego do naprawy lub wymiany w ramach niniejszej gwarancji są wyłączną odpowiedzialnością nabywcy. Niniejsza gwarancja dotyczy tylko pierwotnego nabywcy i nie może zostać przeniesiona. Pełne warunki gwarancji znajdują się na stronie: [www.championpowerequipment.co.uk](http://www.championpowerequipment.co.uk).

### Nie zwracać urządzenia do miejsca zakupu

Należy skontaktować się z serwisem technicznym firmy CPE, a firma CPE rozwiąże każdy problem poprzez telefon lub e-mail. Jeśli problem nie zostanie rozwiązany tą metodą, firma CPE, według własnego uznania, zezwoli na ocenę, naprawę lub wymianę wadliwej części lub komponentu w centrum serwisowym firmy CPE. Firma CPE poda numer sprawy do serwisu gwarancyjnego. Należy go zachować. Naprawy lub wymiany bez uprzedniej autoryzacji lub w nieautoryzowanym punkcie naprawczym nie będą objęte niniejszą gwarancją.

### Wyłączenia gwarancji

Niniejsza gwarancja nie obejmuje następujących napraw i sprzętu:

#### Normalne zużycie

Produkty z elementami mechanicznymi i elektrycznymi wymagają okresowych części i serwisowania, aby działały prawidłowo. Niniejsza gwarancja nie obejmuje napraw, gdy normalne użytkowanie wyczerpało żywotność części lub całego sprzętu.

#### Instalacja, użytkowanie i konserwacja

Niniejsza gwarancja nie dotyczy części ani prac, jeśli produkt uznany zostanie za użytkowany w sposób nieprawidłowy, zaniedbany, brał udział w wypadku, był nadużywany, przeciążany poza jego granice, modyfikowany, nieprawidłowo instalowany lub podłączany do dowolnego elementu elektrycznego. Niniejsza gwarancja nie obejmuje zwykłej konserwacji; normalna konserwacja nie musi być przeprowadzana w zakładzie lub przez osobę upoważnioną przez firmę CPE.

### Inne wykluczenia

Niniejsza gwarancja nie obejmuje:

- Wad kosmetycznych takich jak farba, naklejki itp.
- Przedmiotów zużywalnych, takich jak wkłady filtrów, o-ringi itp.
- Akcesoriów, takich jak akumulatory rozruchowe, pierścienie tłokowe i pokrywy używane w trakcie magazynowania.
- Awarii spowodowanych działaniem siły wyższej, będących poza kontrolą producenta.
- Problemów wynikających z użycia części innych niż oryginalne części firmy Champion Power Equipment.

Wszelkich części uznanych przez użytkownika za uszkodzone. W stosownych przypadkach niniejsza gwarancja nie obejmuje produktów używanych do zasilania głównego w miejsce zasilania sieciowego.

### Granice dorozumianej gwarancji i szkód następczych

Firma Champion Power Equipment zrzeka się wszelkich zobowiązań do pokrycia kosztów związanych z utratą czasu, możliwości użytkowania tego produktu, transportu lub jakichkolwiek przypadkowych lub wynikowych roszczeń wniesionych przez jakąkolwiek osobę w związku z użytkowaniem tego produktu. NINIEJSZA GWARANCJA I ZAŁĄCZONA USTAWA O OCHRONIE ŚRODOWISKA (EPA) WIELKIEJ BRYTANII i/lub SYSTEM KONTROLI JAKOŚCI CARB (W STOSOWNYCH PRZYPADKACH) ZASTĘPUJĄ WSZELKIE INNE GWARANCJE, WYRAŻNE LUB DOROZUMIANE, W TYM GWARANCJE WARTOŚCI HANDLOWEJ LUB PRZYDATNOŚCI DO OKREŚLONEGO CELU.

Urządzenie dostarczone na zamianę będzie objęte gwarancją oryginalnego urządzenia. Czas trwania gwarancji na wymieniony egzemplarz będzie obliczany w odniesieniu do daty zakupu egzemplarza pierwotnego.

Niniejsza gwarancja nadaje użytkownikowi pewne prawa, które mogą się różnić w zależności od kraju lub regionu. Ponadto w niektórych krajach lub regionach użytkownikowi mogą przysługiwać prawa niewymienione w niniejszej gwarancji.

SPECIFICATIONS	71001i-EU/SC	72301i-EU/SC
Gasoline Starting Watts	1000W	2300W
Gasoline Running Watts	900W	1900W
Gasoline Starting Amps at 120V	4.55A	10.45A
Gasoline Running Amps at 120V	4.09A	8.64A
Volts	220	220
Frequency	50Hz	50Hz
Outlets	220V 16A Euro 2Pin	220V 16A Euro 2Pin
GFCI Outlets	No	No
Covered Outlets	Yes	Yes
Gasoline Run Time at 1/4 Load	9.5 h.	9.5 h.
Noise Level	53.0 dBA	53.0 dBA
Inverter	Yes	Yes
Parallel Capability	Yes	Yes
DC Operation	No	Yes
Voltmeter	No	No
Automatic Voltage Regulation	No	No
Battery	No	No
Start Type	Recoil	Recoil
Engine Brand	Champion	Champion
Engine Size	50cc	98cc
Engine Type	4-stroke	4-stroke
Engine Speed	Variable	Variable
Fuel Type	Gasoline	Gasoline
Fuel Gauge	No	No
Gasoline Capacity	2.8L	3.8L
Gasoline Tank Material	Steel	Steel
Engine Oil Type	10W-30	10W-30
Engine Oil Capacity	0.32L	0.4 L
Low Oil Shut-Off	Yes	Yes
Wheels	No	No
CE Certified	Yes	Yes

# TECHNICAL DIAGRAMS

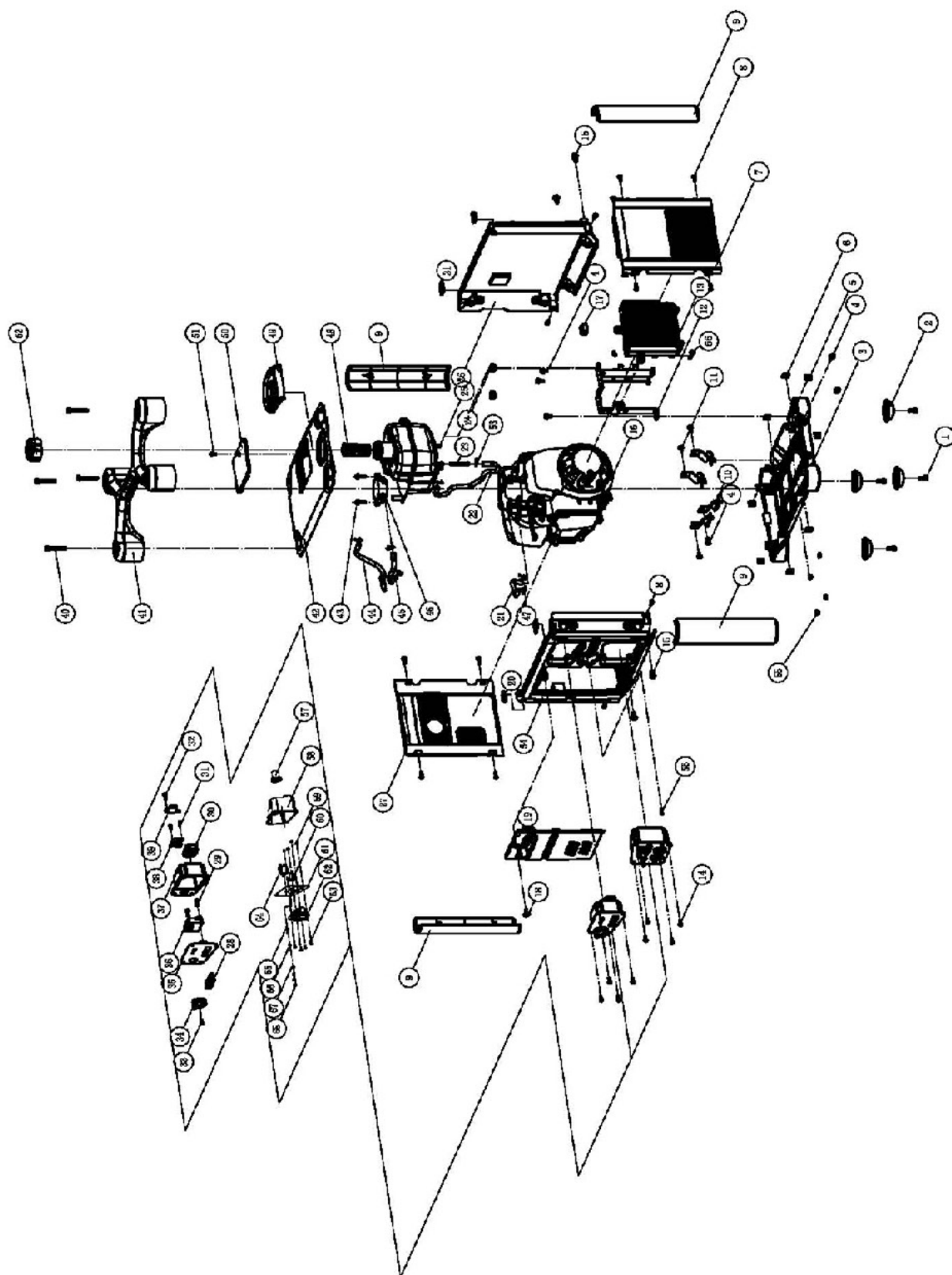
<b>SPECIFICATIONS</b>	<b>73001i-EU/SC</b>
Gasoline Starting Watts	3500W
Gasoline Running Watts	3200W
Gasoline Starting Amps at 120V	15.91A
Gasoline Running Amps at 120V	14.55A
Volts	220
Frequency	50Hz
Outlets	220V 16A Euro 2Pin
GFCI Outlets	No
Covered Outlets	Yes
Gasoline Run Time at 1/4 Load	8.0 h.
Noise Level	58.0 dBA
Inverter	Yes
Parallel Capability	Yes
DC Operation	Yes
Voltmeter	No
Automatic Voltage Regulation	No
Battery	No
Start Type	Recoil
Engine Brand	Champion
Engine Size	192cc
Engine Type	4-stroke
Engine Speed	Variable
Fuel Type	Gasoline
Fuel Gauge	No
Gasoline Capacity	6 L
Gasoline Tank Material	Steel
Engine Oil Type	10W-30
Engine Oil Capacity	0.6 L
Low Oil Shut-Off	Yes
Wheels	Yes
Wheel Type	Solid
Wheel Diameter	5.5 in.
CE Certified	Yes



SPECIFICATIONS	73001i-P-EU/SC
Gasoline Starting Watts	3500W
Gasoline Running Watts	3200W
Gasoline Starting Amps at 120V	15.91A
Gasoline Running Amps at 120V	14.55A
Volts	220
Frequency	50Hz
Outlets	220V 16A Euro 2Pin
GFCI Outlets	No
Covered Outlets	Yes
Gasoline Run Time at 1/4 Load	8.0 h.
Noise Level	58.0 dBA
Inverter	Yes
Parallel Capability	Yes
DC Operation	Yes
Voltmeter	No
Automatic Voltage Regulation	No
Battery	Yes
Start Type	Recoil/Electric Start/Wireless Remote
Engine Brand	Champion
Engine Size	192cc
Engine Type	4-stroke
Engine Speed	Variable
Fuel Type	Gasoline
Fuel Gauge	No
Gasoline Capacity	6 L
Gasoline Tank Material	Steel
Engine Oil Type	10W-30
Engine Oil Capacity	0.6 L
Low Oil Shut-Off	Yes
Wheels	Yes
Wheel Type	Solid
Wheel Diameter	5.5 in.
CE Certified	Yes

# TECHNICAL DIAGRAMS

## 71001I (EU/SC) PARTS DIAGRAM



## 71001I (EU/SC) PARTS LIST

No	Alias	Description	Qty.	No.	Alias	Description	Qty.
1	1.5789.0615	Flange Bolt M6x15	4	35	82.211100.00	Operate Panel Component	1
2	82.200604.00	Mount Rubber, Base Setting	4	36	82.210016.00	Speed Limiter	1
3	82.200601.00	Base Setting	1	37	82.211001.00	Control Box, Operate Panel	1
4	1.5789.0612	Flange Bolt M6x12	7	38	82.070400.00	Fuel Cock Component	1
5	2.02.010	Nut M5	4	39	82.126100.00	Tci Unit	1
6	2.02.014	Nut M6	4	40	1.5789.0650	Bolt M6x50	4
7	82.200300.00.48	Cover Component, Right, Yellow	1	41	82.200700.00	Gripe Component	1
8	1.818.0514	Screw M5x14	12	42	82.200501.00.48	Cover, Top, Yellow	1
9	82.200800.00.78	Art Cover, Silver Gray	4	43	1.5789.0620	Flange Bolt M6x20	3
10	81.200605.00	Mount Rubber, Engine	4	44	82.070900.00	Diaphragm Tube Component	1
11	1.5789.0608	Flange Bolt M6x8	2	45	82.070011.10	Pipe, Fuel	1
12	82.070009.00	Bracket, Fuel Tank	1	46	82.073000.00	Fuel Pump Assembly	1
13	82.221000.00	Controller Assembly	1	47	2.06.005	Clip (Ø9xØ1)	3
14	1.9074.4.0414	Screw&Washer Assembly M4x14	8	48	81.070300.00	Fuel Filter	1
15	08.006001.00	Bolt M6	4	49	82.200502.00	Setting, Spill Prevention	1
16	71001i-EU Engine	Engine	1	50	82.200505.00	Maintenance Cover	1
17	81.220002.00	Mount Rubber, Controller	1	51	2.08.067	Screw M5x12	1
18	2.08.055	Bolt M6x14	1	52	81.070100.00	Fuel Tank Cap Component	1
19	82.200105.00	Maintenance Cover	1	53	2.06.010	Clip	4
20	2.02.015	Nut M6	4	54	82.200100.00.48	Front Cover Assembly, Yellow	1
21	82.070011.20	Pipe, Fuel	1	55	1.6177.1.06	Nut M6	4
22	82.070011.30	Pipe, Fuel	1	56	1.823.0414	Screw M4x14	1
23	111.070300.01	Oil Screen, Fuel Pipe	1	57	122.210003.01	Plug	1
24	2.12.009	Buffer	2	58	82.212001.00	Control Box, Output Panel	1
25	82.071000.01	Fuel Tank Assembly	1	59	1.6177.1.04.3	Nut M4	4
26	82.200400.00.48	Supporter, Back Cover, Yellow	1	60	5.1110.000	Receptacle (DC.12V)	1
27	82.200200.00.48	Cover Component Left, Yellow	1	61	82.01.4.2	Output Panel	1
28	5.1010.001	Switch, Flameout	2	62	5.1120.013	Receptacle	1
29	1.818.0514	Bolt M5x14	2	63	1.819.0414.2	Bolt And Washer Assembly M4x14	4
30	82.210003.00	Jacket, Control Box	1	64	5.1200.308	DC.8A Breaker	1
31	1.845.2913	Self-Tapping Screw 2.9x13	2	65	1.5783.0514.3	Bolt M5x14	1
32	1.845.3513	Self-Tapping Screw 3.5x13	1	66	1.862.05	Lock Washer Ø5	1
33	1.818.0410	Screw M4x10	1	67	1.97.1.05.3	Washer Ø5	2
34	24.070001.00	Fuel Knob	1	68	1.6170.05.3	Nut M5	2

EN

The part numbers above are used for both UK and EU versions of the generator.

### Additional UK parts:

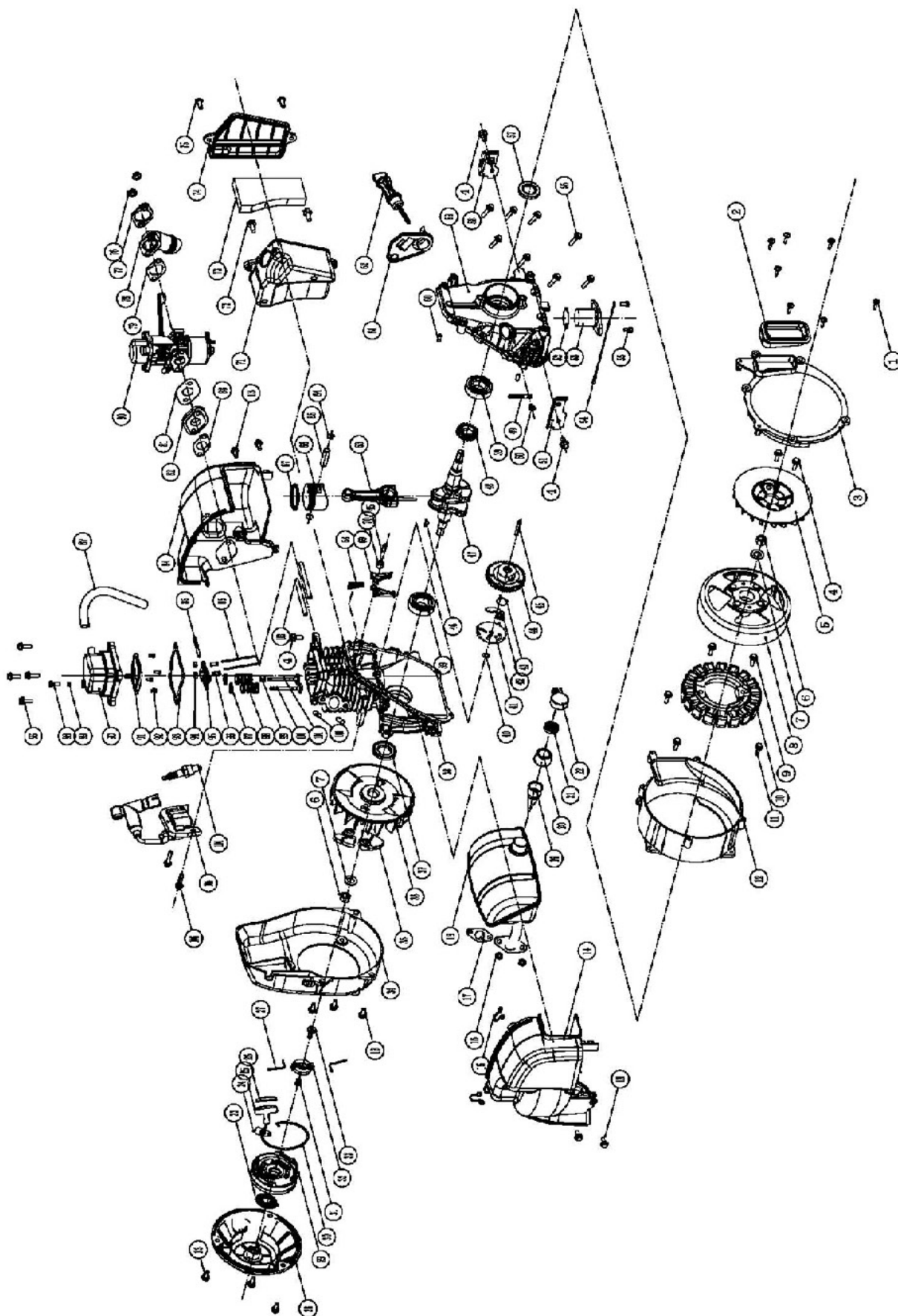
PART	DESCRIPTION
82.221000.00	240v 50hz Control unit
5.1120.013	240v 13amp Receptacle

### Additional EU parts:

PART	DESCRIPTION
82.221000.01	220v 50hz Control unit

# TECHNICAL DIAGRAMS

## 71001I (EU/SC) PARTS DIAGRAM



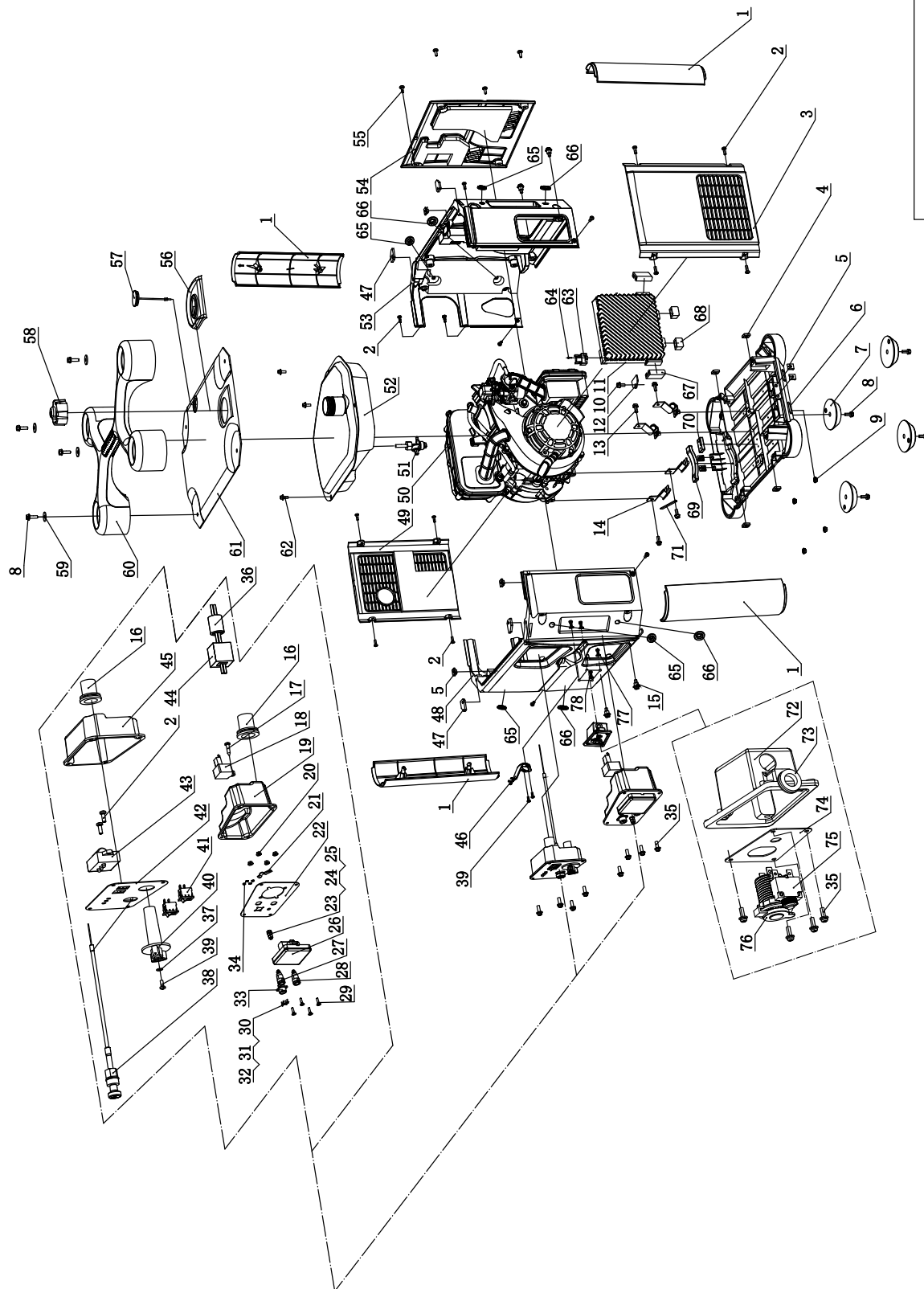
## 71001I (EU/SC) PARTS LIST

No.	Alias	Description	Qty.
1	1.845.4816	Tapping Screw ST4.8x16	7
2	82.190006.00	Rubber Sleeve 1, End Cover	1
3	82.190003.00	Generator End Cover	1
4	1.5789.0612	Flange Bolt M6×12	5
5	82.190001.00	Fan, Engine	1
6	1.6170.10	Nut M10	2
7	1.97.1.10	Washer Ø10	2
8	82.191200.00	Rotor Component	1
9	1.9074.14.0625	Screw&Washer Assembly M6×25	2
10	82.191100.02	Stator Component	1
11	1.5789.0516	Flange Bolt M5×16	3
12	82.190002.00	End Cover	1
13	1.5789.0512	Flange Bolt M5×12	10
14	82.081300.00	Muffler Protector Assembly (Right)	1
15	82.080008.00	Spring	2
16	1.6175.06	Nut M6	2
17	81.100001.00	Gasket, Exhaust Pipe	1
18	82.101100.00	Muffler Assembly	1
19	82.101300.00	Spark Arrester	1
20	81.101501.00	Cap, Spark Arrester	1
21	81.101502.00	Metal Filter, Exhaust	1
22	2.06.012	Clamp (Ø25×b10)	1
23	82.061006.00	Spring, Recoil Starter	1
24	82.061200.00	Guide, Rope Handle	1
25	82.061005.00	Grip, Starter	1
26	82.061012.00	Cover, Grip	1
27	82.061002.00	Starter Ratchet, Steel	2
28	82.061100.00	Cover, Recoil Starter	1
29	82.061001.00	Reel, Recoil Starter	1
30	2.10.007	Rope Ø3.5×1400	1
31	82.061009.00	Spring, Ratchet Guide	1
32	82.061007.00	Ratchet Guide	1
33	82.061008.00	Screw, Ratchet Guide	1
34	82.080100.00	Fan Cover Component	1
35	82.120004.00	Build Up, Flywheel	2
36	82.120100.00	Flywheel Component	1
37	2.11.020	Oil Seal (Ø20×Ø38×5)	1
38	82.030100.00	Crankcase	1
39	1.276.6004	Bearing	2
40	2.03.020.1	Washer Ø6.2 × Ø15 × 0.5, Black	1
41	82.040106.00	Cover,Cam	1
42	82.040104.00	Flyweight	1
43	82.040103.00	Spring Decompress	1
44	82.040107.00	Cam	1
45	82.040101.00	Cam Shaft	2
46	2.14.013	Woodruff Key (3x5x13)	1
47	82.050101.00	Crankshaft	1
48	82.050102.00	Gear, Drive	1
49	2.05.050	Clip, Wire	1
50	1.9074.3.0510	Screw&Spr. Washer Assembly M5x10	1
51	82.030036.10	Board	1
52	2.07.011	O-Ring Ø26.5×Ø2.65	1
53	82.127000.00	Oil Lever Switch	1

No.	Alias	Description	Qty.
54	82.120300.00	Wire, Flameout	1
55	1.9074.15.0616	Screw&Washer Assembly M6×16	2
56	1.5789.0520	Flange Bolt M5×20	12
57	2.11.019	Oil Seal (Ø20×Ø35×5)	1
58	82.030036.20	Board	1
59	82.030007.00	Cover, Crankcase	1
60	2.04.002	Dowel Pin (Ø8×14)	2
61	82.030035.00	Oil Nozzle	1
62	82.031000.00	Oil Dipstick Assembly	1
63	82.050200.00	Connecting Rod	1
64	2.09.008	Circlip (Ø12×Ø1)	2
65	82.050003.00	Pin,Piston	1
66	82.050005.00	Piston	1
67	82.050300.00	Piston Ring Set	1
68	82.030033.00	Element	1
69	82.041002.00	Valve Lifter	2
70	2.13.021	Bush Ø5.2×Ø10×7.6	1
71	82.091100.00	Base, Air Cleaner	1
72	1.5789.0615	Flange Bolt M6×15	2
73	82.091003.00	Element	1
74	82.091200.00	Cover, Air Cleaner	1
75	2.08.054	Bolt M6×16	2
76	1.6177.1.06	Nut M6	2
77	82.090005.00	Clamp Board, Air Filter Tube	1
78	82.090004.00	Pipe, Air Cleaner	1
79	82.130004.00	Gasket, Air Cleaner	1
80	82.130000.00	Carburetor Component	1
81	82.130003.00	Gasket, Carburetor	1
82	82.130001.00	Insulator, Carburetor	1
83	81.130002.00	Gasket, Insulator	1
84	82.081100.00	Muffler, Protector Component, Side	1
85	82.040005.00	Push Rod, Valve	2
86	82.040016.00	Shaft, Rocker Arm	1
87	82.020001.00	Tube, Breather	1
88	1.818.0514	Screw M5×14	1
89	2.13.022	Bush Ø5×Ø6.3x4.5	1
90	82.021101.00	Cylinder Head Cover	1
91	82.021002.00	Cover, Breather Room	1
92	1.818.0306	Screw M3×16	4
93	82.020002.00	Gasket, Cylinder Head Cover	1
94	2.02.009	Nut, Lock (M5x0.5)	2
95	82.040009.00	Rocker Arm, Valve	2
96	82.040012.00	Nut, Valve Adjusting	2
97	82.040007.00	Retainer, Valve Spring	1
98	82.040003.00	Spring, Valve	2
99	82.040017.00	Oil Seal, Valve	1
100	82.040006.00	Valve, Intake	1
101	82.040002.00	Valve, Exhaust	1
102	2.01.027	Stud Bolt M6x27	2
103	2.01.025	Stud Bolt M6x80	2
104	2.15.006	Spark Plug (A5RTC)	1
105	82.123000.01	Ignition Assembly	1
106	1.5789.0525	Flange Bolt M5×25	2

# TECHNICAL DIAGRAMS

## 72301I (EU/SC) PARTS DIAGRAM



## 72301I (EU/SC) PARTS LIST

No	Part Number	Description	Amount
1	81.200800.00.78	Art Cover, Silvery	4
2	1.818.0514.3	Screw M5 x 14	17
3	81.200300.00.48	Cover, Right, Yellow	1
4	2.02.014	Nut M6, Square	4
5	2.02.010	Cage Nut, M5	7
6	81.200601.00.2	Base Setting Component	1
7	81.200604.00	Mount, Base Setting	4
8	1.5789.0622.3	Flange Bolt M6 x 22, Green	8
9	1.6177.1.06.3	Lock Nut M6, Flange, Green	4
10	1.5789.0612	Flange Bolt M6 x 12	1
11	84.221000.05	Control Unit, 240V, 50HZ	1
12	81.220003.00	Pressure Plate, Control Unit	1
13	1.5789.0615	Flange Bolt M6 x 15	4
14	81.200605.00	Motor Mount	4
15	2.08.052.3	Bolt M6 x 16, Green	4
16	122.210003.01	Grommet, Control Box	2
17	1.845.4220	Screw ST4.2 x 20	1
18	5.1840.002	Case, Power Supply	1
19	81.212001.00	Control Box, Output Panel	1
20	1.6177.1.04.3	Lock Nut M4, Flange, Green	4
21	81.210012.00	Plate, Signal	1
22	81.01.6.2	Output Panel, Black	1
23	1.5783.0514.3	Bolt M5 x 14, Green	1
24	1.97.1.05.3	Washer, Ø5, Green	2
25	1.6170.05.3	Nut M5, Green	2
26	5.1120.011	Receptacle	1
27	81.210001.00.3	Connect Port, Red	1
28	81.210001.00.1	Connect Port, Black	1
29	1.819.0414	Screw M4 x 14	4
30	1.818.0210.3	Screw M2 x 10, Green	4
31	1.93.02.3	Spring Washer Ø2, Green	4
32	1.97.1.02.3	Washer Ø2, Green	4
33	5.1910.000	Receptacle	1
34	1.6170.02.3	Nut M2, Green	4
35	1.9074.4.0414.3	Screw/Washer Assembly M4 x 14, Green	8
36	81.210200.00	Toroid Coil Component, Round	1
37	1.97.1.04.3	Washer Ø4, Green	1
38	81.130200.00	Pull Choke Assembly	1
39	1.818.0412.3	Screw M4 x 12, Green	1
40	81.070001.00	Knob, Fuel Vale	1

No	Part Number	Description	Amount
41	5.1010.003.1	Switch	2
42	81.211100.00.2	Operate Panel, Black	1
43	81.126000.00	Ignition Assembly	1
44	81.210200.01	Toroid Coil Component, Square	1
45	81.211001.00	Control Box, Operation Panel	1
46	81.061200.00	Guide Plate, Rope	1
47	2.02.015	Nut M6	4
48	81.200101.01.48	Front Cover, Yellow	1
49	81.200200.00.48	Cover, Left, Yellow	1
50	72301i	Engine	1
51	81.070400.00	Fuel Valve	1
52	81.071000.00.1	Fuel Tank, Black	1
53	81.200401.00.48	Supporter, Rear Cover, Yellow	1
54	84.200105.00.48	Protector, Rear Cover, Yellow	1
55	1.818.0614.3	Screw M6 x 14, Green	4
56	81.200502.00	Spillway, Fuel Tank	1
57	81.200503.00	Plug	1
58	81.070100.00.3	Fuel Tank Cap	1
59	1.5287.06.3	Large Washer Ø6, Green	4
60	81.200700.00.2	Handle Assembly, Black	1
61	81.200501.00.48	Cover, Top, Yellow	1
62	2.08.068.2	Flange Bolt M5 x 13	3
63	5.1800.003	Bridge Rectifier	1
64	1.5783.0520	Bolt M5 x 20	1
65	81.200102.00	Rotundity Jacket	4
66	81.200103.00	Groove Jacket	4
67	81.220001.00	Protector, Control Unit	2
68	81.220002.00	Mount Rubber, Control Unit	2
69	81.200603.00	Mount, End Cover	1
70	81.200602.00	Mount, Engine	1
71	2.05.050	Clamp, Wire	1
72	81.212001.01	Control Box, Output Panel	1
73	122.210003.00	Plug, Wire	1
74	81.03.1.2	Panel, Black	1
75	5.1200.308	8Amp Circuit Breaker, Push Button	1
76	5.1110.005	Receptacle, DC 12V	1
77	1.5287.04.2	Large Washer Ø4	4
78	1.9074.3.0408.2	Screw/Washer Assembly M4 x 8	4
79	9.1700.003	Plug, USB 5V/2.1A	1
80	9.1600.012	Cables, 12V, 2m	1

EN

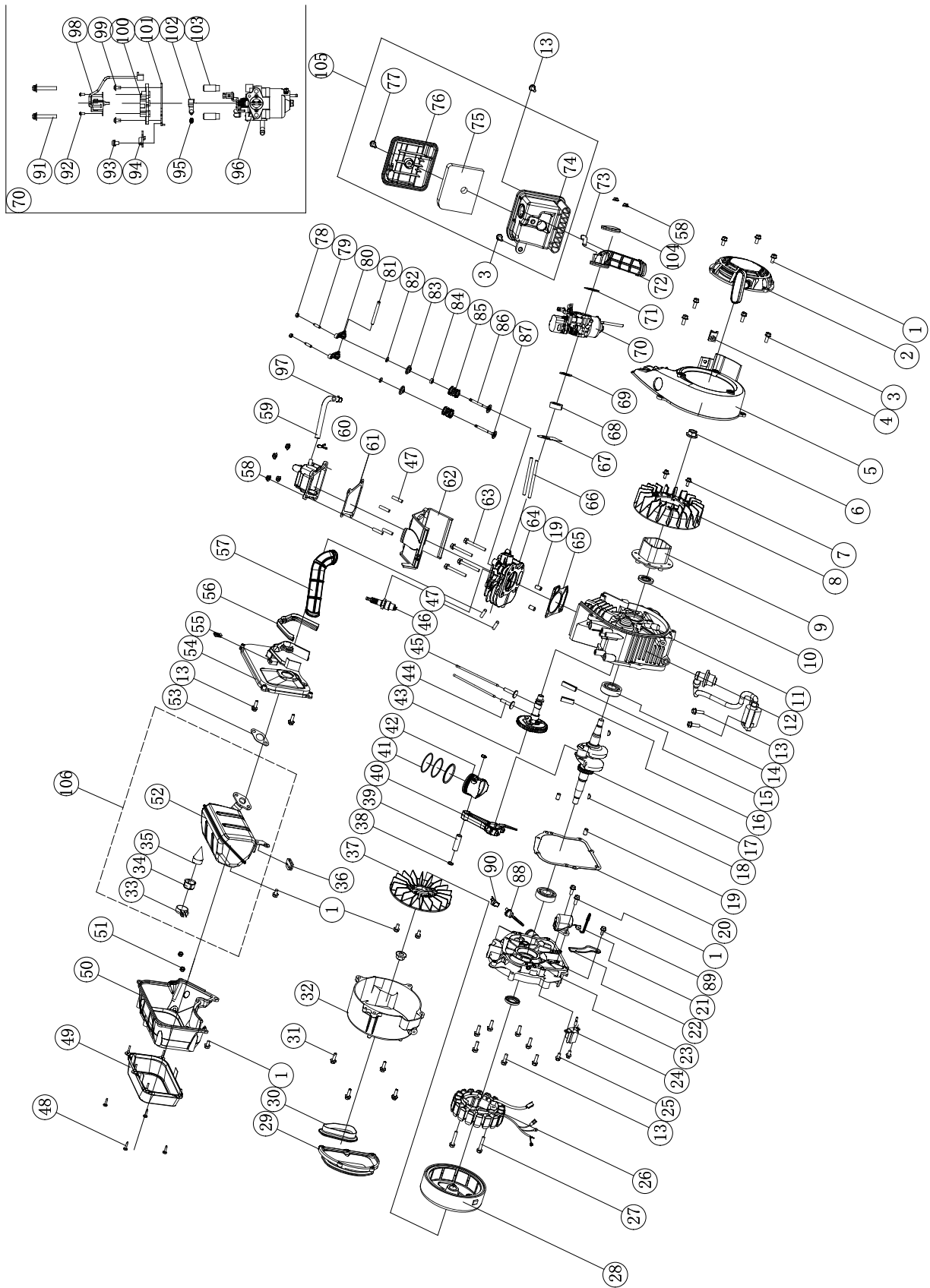
The part numbers above are used for both UK and EU versions of the generator.

### Additional UK parts:

PART	DESCRIPTION
84.221000.05	240v 50hz Control unit
5.1910.001	240v 13amp Receptacle

# TECHNICAL DIAGRAMS

## 723011 (EU/SC) PARTS DIAGRAM





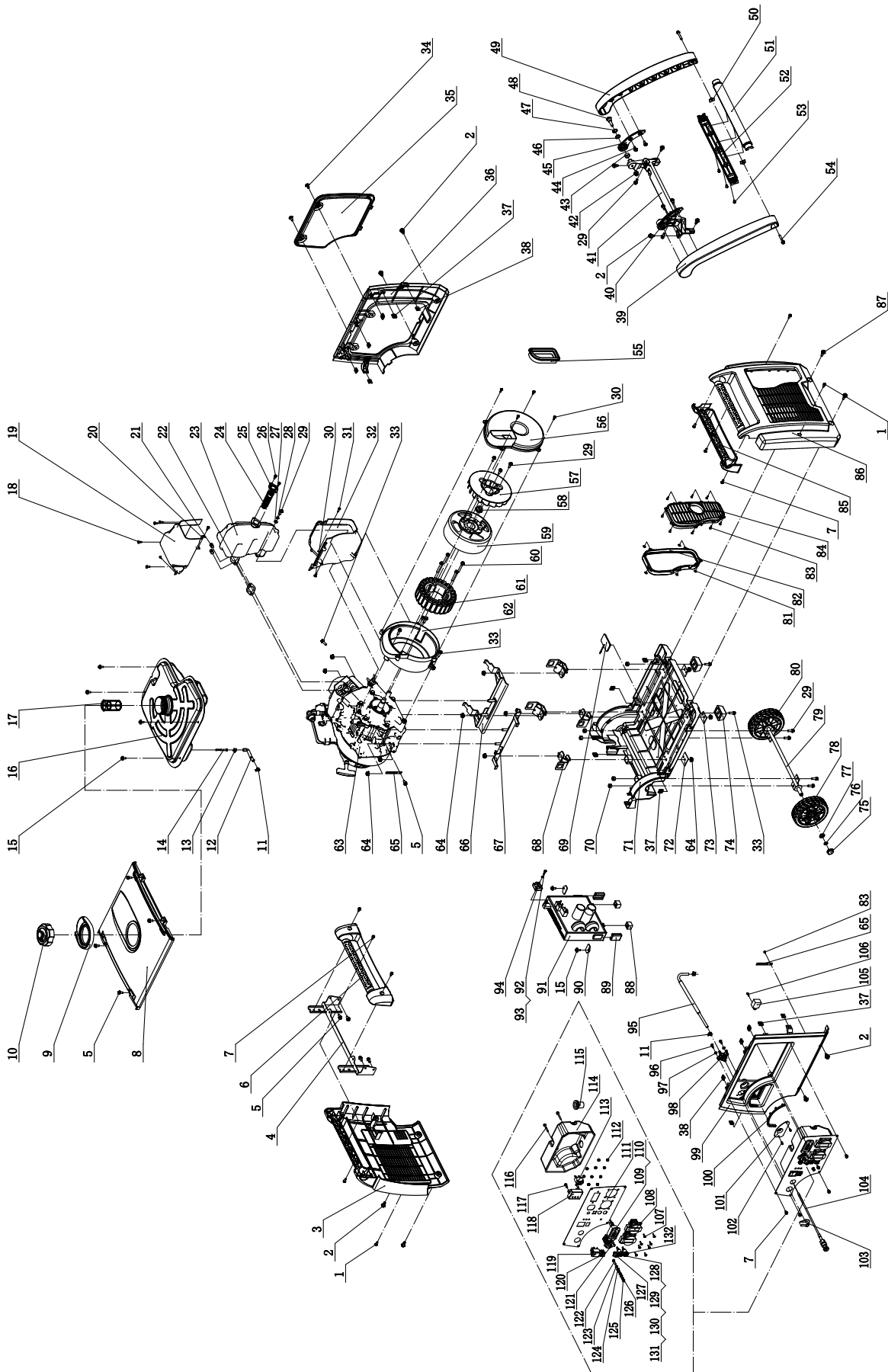
## 72301I (EU/SC) PARTS LIST

No.	Alias	Description	Qty.
1	1.5789.0612	Flange Bolt M6 × 12	10
2	81.061000.00	Recoil Assembly	1
3	1.5789.0615	Flange Bolt M6 × 15	5
4	2.02.013	Nut M6	1
5	81.080100.00	Fan Cover	1
6	2.02.018	Nut M12 × 1.25	2
7	1.16674.0512	Flange Bolt M5 × 12	4
8	84.080001.00	Cooling Fan	1
9	81.060001.00	Pulley, Starter	1
10	2.11.019	Oil Seal Ø20 × Ø35 × 5	2
11	84.030100.00	Crankcase	1
12	84.123000.00	Ignition Coil	1
13	1.5789.0620	Flange Bolt M6 × 20	12
14	1.276.6204	Bearing 6204	2
15	81.030013.01	Seal Strip 2, Crankcase Cover	1
16	81.030013.00	Seal Strip 1, Crankcase Cover	1
17	84.050100.00	Crankshaft	1
18	2.14.013	Woodruff Key 3 × 5 × 13	2
19	2.04.002	Dowel Pin Ø8 × 14	4
20	81.030008.00	Gasket, Crankcase Cover	1
21	81.127000.00	Oil Level Sensor	1
22	81.030006.00	Plate, Coil	1
23	81.030007.00	Cover, Crankcase	1
24	81.122000.00	Trigger Assembly	1
25	1.16674.0612	Flange Bolt M6 × 12	2
26	84.191200.00	Stator Component	1
27	1.5789.0635	Flange Bolt M6 × 35	2
28	84.191100.00	Rotor Component	1
29	81.190006.01	Rubber Sleeve 2, End Cover	1
30	81.190006.00	Rubber Sleeve 1, End Cover	1
31	1.5789.0622.3	Flange Bolt M6 × 22	4
32	81.190002.00	End Cover, Motor	1
33	2.06.011	Clamp Ø25 × b10	1
34	81.101501.00	Cap, Spark Arrester	1
35	81.101300.00	Spark Arrester	1
36	81.081002.00	Rubber Seal Sleeve	1
37	84.190001.00	Cooling Fan, Rotor	1
38	2.09.007	Circlip Ø13.5 × Ø1	2
39	81.050003.00	Pin, Piston	1
40	84.050200.00	Connecting Rod	1
41	84.050300.00	Piston Ring Set	1
42	84.050005.00	Piston	1
43	81.040100.00	Camshaft	1
44	81.040013.00	Lifter, Valve	2
45	81.040005.00	Push Rod	2
46	2.15.005(E6RTC)	Spark Plug E6RTC	1
47	2.01.027	Stud Bolt M6 × 27	6
48	1.845.4817	Tapping Screw ST4.8 × 17	4
49	81.081300.00	Muffler Protector Assembly, Right	1
50	84.081200.00	Muffler Protector Assembly, Middle	1
51	1.6175.06.3	Nut M6	2
52	81.101100.00	Muffler Assembly	1
53	81.100001.00	Gasket, Exhaust Pipe	1

No.	Alias	Description	Qty.
54	81.081100.00	Muffler Protector, Side	1
55	81.081003.00	Fastening Insert	1
56	81.081001.00	Muffler Protector, Seal	1
57	81.080003.00	Air Duct	1
58	1.6177.1.06.3	Flange Nut M6	6
59	81.020001.00	Breather Tube	1
60	81.021000.00	Cover, Cylinder Head	1
61	81.020002.00	Gasket, Cylinder Head Cover	1
62	81.080200.00	Air Shroud, Cylinder	1
63	1.5789.0650	Flange Bolt M6 × 50	4
64	84.010100.00	Cylinder Head	1
65	84.030009.00	Gasket, Cylinder Head	1
66	2.01.038	Stud Bolt M6 × 105	2
67	81.130002.00	Gasket, Insulator	1
68	84.130001.00	Insulator, Carburetor	1
69	81.130003.00	Gasket, Carburetor	1
70	84.130000.00	Carburetor Assembly	1
71	81.130004.00	Gasket, Air Cleaner	1
72	81.090004.00	Pipe, Air Cleaner	1
73	81.090003.00	Joint, Breather Pipe	1
74	81.091100.00	Base, Air Cleaner	1
75	81.091003.00	Element, Air Cleaner	1
76	81.091200.00	Cover, Air Cleaner	1
77	2.08.053	Bolt M6 × 20	1
78	2.02.009	Nut M5 × 0.5, Lock	2
79	81.040012.00	Screw, Valve Adjustment	2
80	81.040009.00	Rocker Arm, Intake Valve	2
81	81.040016.00	Shaft, Rocker Arm	1
82	83.040014.01	Valve Collet	2
83	83.040001.01	Retainer, Valve Spring	2
84	81.040017.00	Oil Seal, Valve	1
85	83.040003.01	Spring, Valve	2
86	81.040002.00	Valve, Intake	1
87	81.040006.00	Valve, Exhaust	1
88	81.031000.00	Oil Dipstick Assembly	1
89	1.5789.0608	Flange Bolt M6 × 8	1
90	81.030035.00	Oil Nipple	1
91	1.9074.4.0535	Screw M5 × 35	2
92	1.818.0306.1	Screw M3 × 6	2
93	1.9074.3.0510	Screw M5 × 10	1
94	81.130007.00	Clamp Board, Choke Control Line	1
95	81.130010.00	Spring, Connector	1
96	84.131000.00	Carburetor	1
	84.131000.01		
97	2.06.010	Clamp, Ø10.5 × Ø1	2
98	81.132200.00	Stepper Motor	1
99	1.9074.1.0408	Screw M4 × 8	2
100	81.132100.00	Stepper Motor Base	1
101	81.130005.00	Support, Stepper Motor	1
102	81.130008.00	Connector, Choke Valve Axis	1
103	81.130006.00	Brace, Support Plate	2
104	81.090005.00	Clamp Board, Air Filter Tube	1
105	81.091000.00	Air Cleaner Assembly	1
106	81.101000.00	Muffler Assembly	1

# TECHNICAL DIAGRAMS

## 73001I (EU/SC) PARTS DIAGRAM



## 730011 (EU/SC) PARTS LIST

No	Part Number	Description	QTY
1	1.9074.4.0516.1	Screw/Washer Assembly M5×16, Black	4
2	2.08.052.1	Bolt M6 x 16, Black	10
3	83.200200.01.2	Cover, Left, Black	1
4	83.201600.03	Supporter, Left, Black	1
5	1.5789.0612	Flange Bolt M6 x 12	9
6	83.200701.02.2	Handle, Left, Black	1
7	1.9074.4.0512.1	Screw/Washer Assembly M5 x 12, Black	11
8	83.200500.01.48	Cover, Top, Yellow	1
9	83.200502.01	Spillway, Fuel Tank	1
10	83.070100.02	Cap, Fuel Tank	1
11	2.06.016	Clamp, Ø8.7 x b8	3
12	83.070011.01	Fuel Pipe, Fuel Tank To Fuel Valve	1
13	2.06.018	Clamp Ø10.5 x b8	1
14	111.070300.01	Fuel Filter, Fuel Pipe	1
15	2.08.068.2	Flange Bolt M5 x 13	6
16	83.071000.02	Fuel Tank	1
17	83.070300.01	Fuel Filter, Fuel Tank	1
18	1.845.4213	Screw ST4.2 x 13	6
19	83.081400.01	Muffler Protector Assembly, Upper	1
20	83.081004.01	Plate	1
21	2.02.001	Nut M6, Long	2
22	83.100001.01	Gasket, Exhaust	1
23	83.101100.01	Muffler Assembly	1
24	46.101300.08	Spark Arrester Assembly	1
25	46.101503.08	Plate, Spark Arrester	1
26	1.9074.4.0514	Screw/Washer Assembly M5 x 14	2
27	1.97.1.06	Washer Ø6	1
28	1.93.06	Lock Washer Ø6	1
29	1.5789.0615	Flange Bolt M6 x 15	10
30	1.845.4816	Screw ST4.8 x 16	6
31	1.845.4219	Screw ST4.2 x 19	1
32	83.081500.01	Muffler Protector Assembly, Lower	1
33	1.5789.0620	Flange Bolt M6 x 20	6
34	2.08.055.1	Bolt, Maintenance Cover, Black	2
35	83.200402.01.48	Protector, Rear Cover, Yellow	1
36	83.200401.01.48	Supporter, Rear Cover, Yellow	1
37	2.02.014	Nut M6, Square	12
38	2.02.010	Cage Nut, M5	8
39	83.200701.03.2	Handle, Left, Black	1
40	83.200704.01.2	Bracket, Left, Black	1
41	83.201600.05	Supporter, Right	1
42	1.6187.1.08	Lock Nut M8	2
43	2.13.001	Bushing Ø13.3 x Ø19.3 x 8	2
44	1.5789.0612.1	Flange Bolt M6 x 12, Black	4
45	83.200704.02.2	Bracket, Right, Black	1
46	2.03.001	Bushing Ø13.3 x Ø19.3 x 2	2
47	2.03.002	Washer Ø13 x Ø20 x 2.5	2
48	2.08.002	Bolt M8 x 28	2
49	83.200701.04.2	Handle, Right, Black	1
50	2.02.002	Nut M6, T-Style	2
51	83.200705.01.2	Handle, Upper, Black	1
52	83.200705.02.2	Handle, Lower, Black	1
53	1.9074.3.0512.1	Screw M5 x 12, Black	3
54	1.5789.0635.1	Flange Bolt M6 x 35, Black	2
55	83.190006.01	Rubber Sleeve, End Cover	1
56	83.190003.01	End Cover, Generator	1
57	83.190001.01	Fan, Generator	1
58	2.02.006	Nut M14 x 1.5	1
59	83.191100.01	Rotor Assembly	1
60	1.5789.0645	Flange Bolt M6 x 45	4
61	83.191200.16	Stator Assembly	1
62	83.190002.01	End Cover, Mortor	1
63	83.402	Engine	1
64	1.6177.1.08	Lock Nut M8, Flange	12
65	2.05.050	Clamp, Wire	2
66	83.201600.02	Supporter, Left	1

The part numbers above are used for both UK and EU versions of the generator.

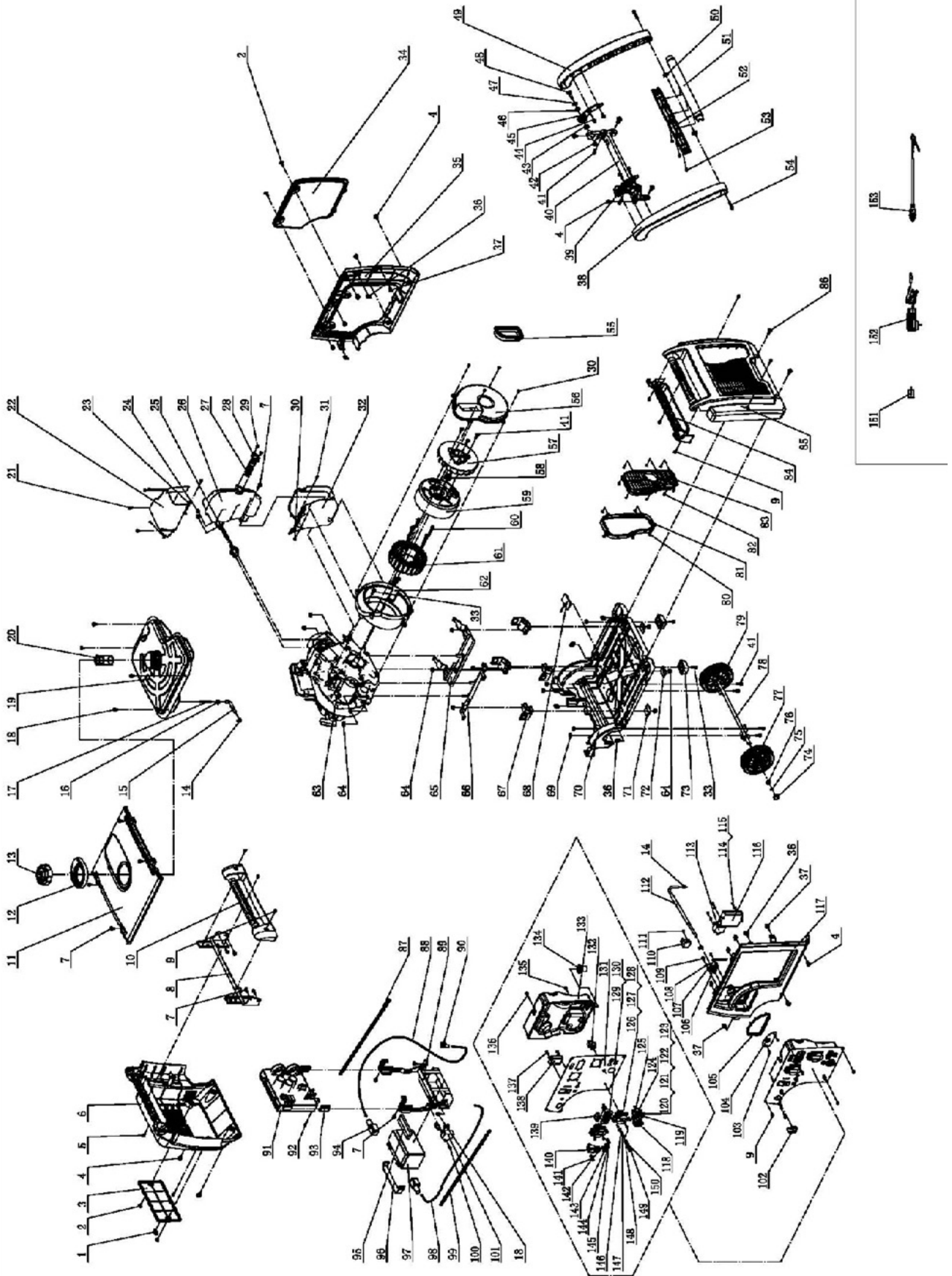
No	Part Number	Description	QTY
67	83.201600.01	Supporter, Right	1
68	83.201200.01	Motor Mount	4
69	83.200607.01	Plug, Oil Drain Hole	1
70	1.6182.06	Nut M6	6
71	83.200601.01	Base Setting Component	1
72	83.200609.02	Steel Plate 2	2
73	83.200609.01	Steel Plate 1	2
74	83.201400.01	Rubber Pad	2
75	83.201702.01	Plug, Wheel	2
76	1.894.1.12	Retaining Ring Ø12	2
77	1.848.12	Washer Ø12	2
78	83.201701.01	Wheel, Left	1
79	83.201500.01	Axle	1
80	83.201701.02	Wheel, Right	1
81	83.200305.01	Spring Patch	5
82	83.200304.01	Rubber Seal, Muffler Cover	1
83	1.845.3595	Screw ST3.5 x 9.5	8
84	83.200303.01.2	Muffler Cover, Black	1
85	83.200701.01.2	Handle, Right, Black	1
86	83.200302.01.2	Cover, Right Side, Black	1
87	2.08.075.1	Bolt M6 x 20, Black	2
88	81.220002.00	Mount Rubber, Control Unit	2
89	81.220001.00	Protector, Control Unit	2
90	83.220003.01	Pressure Plate, Control Unit	2
91	83.221000.04	Control Unit, 220V/50Hz	1
92	1.5783.0520	Bolt M5 x 20	1
93	1.93.05	Lock Washer Ø5	1
94	122.190600.00	Rectifier	1
95	83.070011.02	Fuel Pipe, Fuel Valve To Carburetor	1
96	1.845.4819	Screw ST4.8 x 19	2
97	1.97.1.05	Washer Ø5	2
98	83.070400.01	Fuel Valve	1
99	83.200101.01.48	Front Cover, Yellow	1
100	83.200106.01	Protector, Front Cover	1
101	83.061200.01.2	Guide Plate, Rope, Black	1
102	1.823.0408	Screw M4 x 8	2
103	83.070001.01	Knob, Fuel Valve	1
104	83.130200.01	Pull Choke Assembly	1
105	5.1840.002	Case, Power Supply	1
106	1.845.3513	Screw ST3.5 x 13	1
107	1.819.0414	Screw M4 x 14	8
108	5.1120.013	Receptacle	2
109	5.1430.002	Intelligauge	1
110	1.9074.4.0414.1	Screw M4 x 14, Black	2
111	83.01.26.2	Control Panel, Black	1
112	1.6177.1.04.1	Lock Nut M4, Flange, Black	10
113	5.1200.308	8Amp Circuit Breaker, Push Button	1
114	83.210002.02	Control Box	1
115	122.210003.01	Grommet	1
116	1.9074.1.0535.2	Screw M5 x 35	2
117	1.818.0514.3	Screw M5 x 14, Green	2
118	83.210016.00	Speed Limiter	1
119	5.1000.002.1	Ignition Switch, Black	1
120	5.1010.003.1	Switch, Economy	1
121	5.1110.005	Receptacle, DC.12V	1
122	1.5783.0520.3	Bolt M5 x 20, Green	1
123	1.862.05	Lock Washer Ø5, Toothed	1
124	1.97.1.05.3	Washer Ø5, Green	2
125	1.6170.05.3	Nut M5, Green	2
126	1.93.05.3	Lock Washer Ø5, Green	2
127	5.1910.001	Special Receptacle	1
128	1.818.0210.3	Screw M2 x 10, Green	4
129	1.93.02.3	Spring Washer Ø2, Green	4
130	1.97.1.02.3	Washer Ø2, Green	4
131	1.6170.02.3	Nut M2, Green	4
132	83.210001.00.1	Connect Port, Black	2

Additional UK parts:

PART	DESCRIPTION
83.221000.00	240v 50hz Control unit
5.1110.000	240v 13amp Receptacle

# TECHNICAL DIAGRAMS

## 73001I-P (EU/SC) PARTS DIAGRAM



## 73001I-P (EU/SC) PARTS LIST

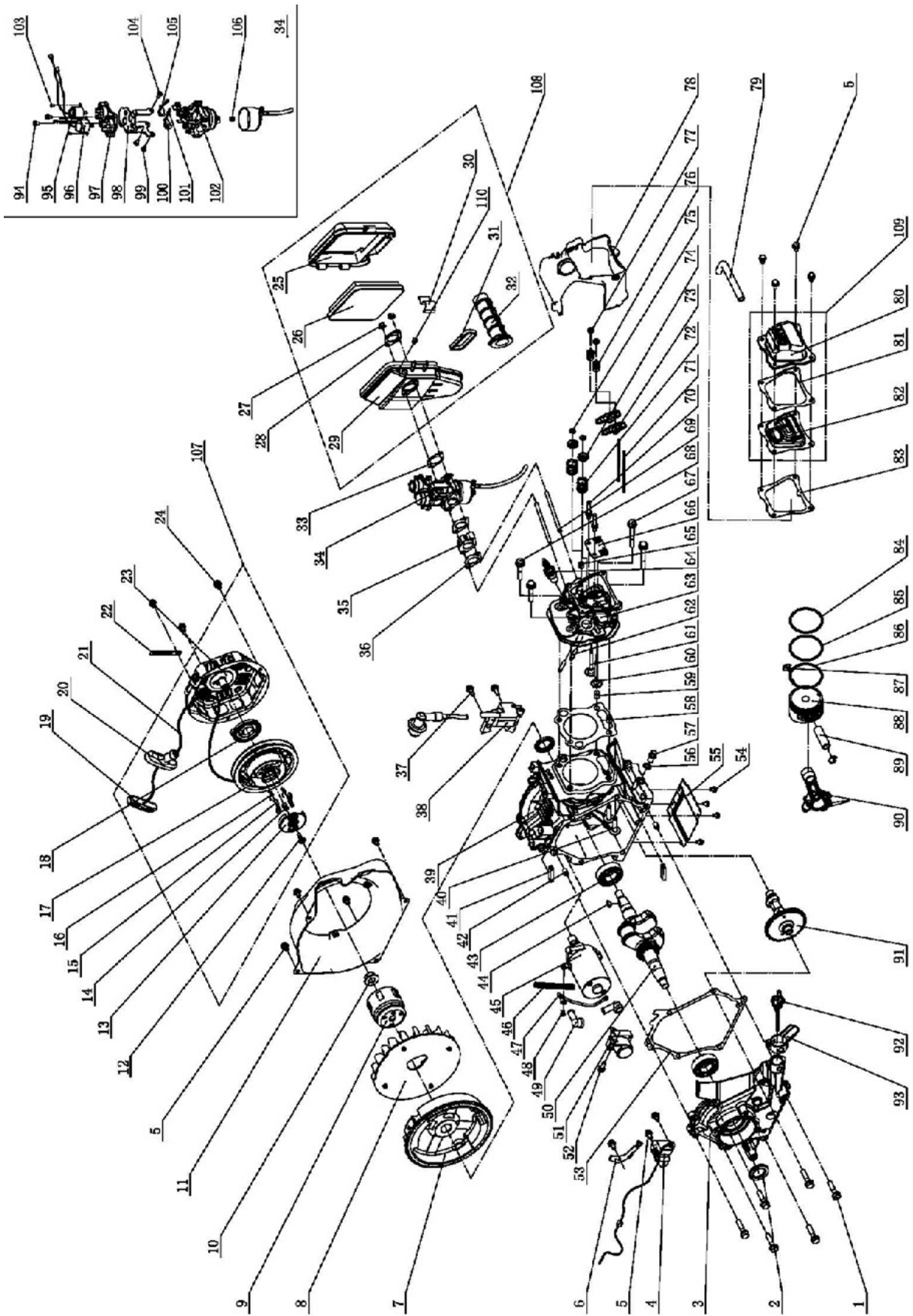
No	Part Number	Description	QTY
1	83.200205.02	Hasp, Maintenance Cover	1
2	2.08.055.1	Bolt, Maintenance Cover, Black	4
3	83.200204.02.2	Maintenance Cover, Battery, Black	1
4	2.08.052.1	Bolt M6 x 16	10
5	1.9074.4.0516.1	Screw M5 x 16, Black	4
6	83.200201.02.2	Cover, Left, Black	1
7	1.5789.0612	Flange Bolt M6 x 12	11
8	83.201600.06	Supporter, Left	1
9	1.9074.4.0512.1	Screw M5 x 12, Black	11
10	83.200701.02.2	Handle, Left, Black	1
11	83.200500.01	Cover, Top	1
12	83.200502.01	Spillway, Fuel Tank	1
13	83.070100.02	Cap, Fuel Tank	1
14	2.06.016	Clip Ø8.7 x b8	3
15	83.070011.01	Fuel Pipe, Fuel Tank To Fuel Valve	1
16	2.06.018	Clip Ø10.5 x b8	1
17	111.070300.01	Inline Fuel Filter Assembly	1
18	2.08.068.2	Bolt M5 x 13	6
19	83.071000.02	Fuel Tank	1
20	83.070300.01	Fuel Filter, Fuel Tank	1
21	1.845.4213	Screw ST4.2 x 13	6
22	83.081400.01	Muffler Protector Assembly, Upper	1
23	83.081004.01	Plate	1
24	2.02.001	Nut M6, Long	2
25	83.100001.01	Gasket, Exhaust	1
26	83.101100.01	Muffler Assembly	1
27	46.101300.08	Spark Arrester Assembly	1
28	46.101503.08	Plate, Spark Arrester	1
29	1.9074.4.0514	Screw M5 x 14	2
30	1.845.4816	Screw ST4.8 x 16	6
31	1.845.4219	Screw ST4.2 x 19	1
32	83.081500.01	Muffler Protector Assembly, Lower	1
33	1.5789.0620	Flange Bolt M6 x 20	6
34	83.200402.01	Protector, Rear Cover	1
35	83.200401.01	Supporter, Rear Cover	1
36	2.02.014	Nut M6, Square	12
37	2.02.010	Cage Nut M5	8
38	83.200701.03.2	Handle, Left, Black	1
39	83.200704.01.2	Bracket, Left, Black	1
40	83.201600.05	Supporter, Right	1
41	1.5789.0615	Flange Bolt M6 x 15	9
42	1.6187.1.08	Lock Nut M8, Flange	2
43	2.13.001	Bushing Ø13.3 x Ø19.3 x 8	2
44	1.5789.0612.1	Flange Bolt M6 x 12, Black	4
45	83.200704.02.2	Bracket, Right, Black	1
46	2.03.001	Bushing Ø13.3 x Ø19.3 x 2	2
47	2.03.002	Washer Ø13 x Ø20 x 2.5	2
48	2.08.002	Bolt M8 x 28	2
49	83.200701.04.2	Handle, Right, Black	1
50	2.02.002	Nut M6, T-Style	2
51	83.200705.01.2	Handle, Upper, Black	1
52	83.200705.02.2	Handle, Lower, Black	1
53	1.9074.3.0512.1	Screw M5 x 12, Black	3
54	1.5789.0635.1	Flange Bolt M6 x 35, Black	2
55	83.190006.01	Rubber Sleeve, End Cover	1
56	83.190003.01	Generator End Cover	1
57	83.190001.01	Generator Fan	1
58	2.02.006	Nut M14 x 1.5	1
59	83.191100.01	Rotor Assembly	1
60	1.5789.0645	Flange Bolt M6 x 45	4
61	83.191200.15	Stator Assembly	1
62	83.190002.01	End Cover, Motor	1
63	83.405	Engine	1
64	1.6177.1.08	Lock Nut M8, Flange	12
65	83.201600.02	Supporter, Left	1
66	83.201600.01	Supporter, Right	1
67	83.201200.01	Motor Mount	4
68	83.200607.01	Plug	1
69	1.6182.06	Lock Nut M6	6
70	83.200601.01	Base Setting Component	1
71	83.200609.02	Steel Plate 1	2
72	83.200609.01	Steel Plate 2	2
73	83.201400.01	Rubber	2
74	83.201702.01	Plug, Wheel	2
75	1.894.1.12	Retaining Ring Ø12	2
76	1.848.12	Washer Ø12	2
77	83.201701.01	Wheel, Left	1

No	Part Number	Description	QTY
78	83.201500.01	Axle	1
79	83.201701.02	Wheel, Right	1
80	83.200305.01	Spring Patch	5
81	83.200304.01	Rubber Seal Sleeve	1
82	1.845.3595	Screw ST3.5 x 9.5	8
83	83.200303.01.2	Cover, Right Muffler, Black	1
84	83.200701.01.2	Handle, Right, Black	1
85	83.200302.01.2	Cover, Right Side, Black	1
86	2.08.075.1	Bolt M6 x 20	2
87	5.1320.023	Plastic Corrugated Pipe, Ø6.8 x Ø10 x 530	1
88	5.1900.019	Red Wire, 600mm, Battery	1
89	83.200018.01	Holder, Control Unit and Battery	1
90	152.200013.01	Sheath, Rubber	1
91	83.221000.02	Control Unit, 230V/50Hz	1
92	1.16674.0516	Flange Bolt M5 x 16	1
93	81.220001.00	Protector, Control Unit	2
94	122.200013.01	Sheath, Rubber	2
95	83.200908.01	Fixation Bar, Sponge	1
96	122.200904.00	Pinch, Rubber	1
97	9.1000.070	Battery 7AH	1
98	5.1900.060	Black Wire, 600mm, Battery	1
99	5.1320.022	Pipe Ø6.8 x Ø10 x 450	1
100	1.16674.0512	Flange Bolt M5 x 12	1
101	5.1800.003	Rectifier	1
102	83.070001.01	Fuel Knob	1
103	1.823.0408.1	Screw M4 x 8, Black	2
104	83.061200.01.2	Guide, Rope, Black	1
105	83.200106.02	Protector	1
106	83.070400.01	Petcock	1
107	2.05.050	Wire Clip, 100mm	1
108	1.97.1.05	Washer Ø5	1
109	1.845.4819	Screw ST4.8 x 19	2
110	5.1840.002	Case, Power Supply	1
111	1.845.3522	Screw ST3.5 x 22	1
112	83.070011.02	Fuel Pipe, Fuel Valve To Carburetor	1
113	5.1820.001	Charger	1
114	1.845.3516	Screw ST3.5 x 16	3
115	1.97.1.04	Washer Ø4	3
116	5.1830.006	Remote Module	1
117	83.200101.02	Front Cover	1
118	5.1110.005	Receptacle, DC 12V	1
119	5.1910.001	Special Receptacle	1
120	1.818.0210.3	Screw M2 x 10, Green	4
121	1.93.02.3	Lock Washer Ø2, Green	4
122	1.97.1.02.3	Washer Ø2, Green	4
123	1.6170.02.3	Nut M2, Green	4
124	83.210001.00.3	Connect Port, 125V/25A, Red	1
125	83.210001.00.1	Connect Port, 125V/25A, Black	1
126	5.1120.013	Receptacle	2
127	1.1819.0414	Screw M4 x 14	8
128	1.6177.1.04.1	Lock Nut M4, Flange, Black	10
129	5.1430.002	Intelligauge	1
130	1.9074.4.0414.1	Screw M4 x 14	2
131	83.019.32.2	Control Panel, Black	1
132	5.1200.308	8Amp Circuit Breaker, Push Button	1
133	83.210002.03	Control Box	1
134	122.210003.01	Jacket, Control Box	1
135	1.9074.4.0512	Screw M5 x 12	1
136	1.9074.4.0535	Screw M5 x 35	1
137	1.818.0514.3	Screw M5 x 14	2
138	83.210016.00	Speed Limiter	1
139	5.1000.000.3	Switch, Battery, Red	1
140	5.1000.001	Switch, 3-Mode	1
141	5.1040.007	Button, Throttle Control	1
142	5.1010.003.1	Switch, Economy, Black	1
143	5.1040.004	Remote Program Button	1
144	5.1460.003	Pilot Lamp	1
145	5.1110.006	Receptacle, Battery Charger	1
146	1.5783.0514.3	Bolt M5 x 14, Green	1
147	1.862.05	Lock Washer Ø5	1
148	1.97.1.05.3	Washer Ø5, Green	2
149	1.93.05.3	Lock Washer Ø5, Green	2
150	1.6170.05.3	Nut M5, Green	2
151	9.1700.003	Plug, USB 5V/2.1A	1
152	9.1700.005	Smart Charger, 12V	1
153	9.1600.012	Cables, 12V, 2m	1

EN

# TECHNICAL DIAGRAMS

## 73001I-P (EU/SC) PARTS DIAGRAM



## 73001I-P (EU/SC) PARTS LIST

No	Part Number	Description	QTY
1	1.5789.0835	Flange Bolt M8×35	6
2	2.11.014	Oil Seal (Ø25×Ø40×7)	2
3	83.030007.01	Cover, Crankcase	1
4	83.127000.01	Oil Level Sensor	1
5	1.5789.0612	Flange Bolt M6×12	10
6	83.030010.01	Plate, Coil	1
7	83.120100.02	Flywheel	1
8	83.080001.01	Cooling Fan	1
9	83.060001.01	Pulley, Starter	1
10	2.02.006	Nut M14×1.5	1
11	83.080100.01.2	Fan Cover, Black	1
12	45.060008.00	Screw, Ratchet Guige	1
13	45.060007.00	Ratchet Guide	1
14	45.060009.00	Spring, Ratchet Guide	1
15	45.060002.00	Starter Ratchet (Iron)	2
16	45.060003.00	Spring, Ratchet	2
17	21.061001.01	Recoil Starter Reel	1
18	21.061005.00	Recoil Starter Spring	1
19	81.061010.01	Rope Button	1
20	81.061006.00	Grip, Starter	1
21	2.10.001	Rope (Ø4×1570)	1
22	2.05.050	Wire Clip, 100mm	1
23	83.061100.01.2	Recoil Starter Cover, Black	1
24	1.5789.0608	Flange Bolt M6×8	3
25	83.091200.01	Cover, Air Cleaner	1
26	83.091300.01	Element, Air Cleaner	1
27	1.6177.1.06	Flange Lock Nut M6	2
28	83.090001.01	Flange	1
29	83.091100.01	Base, Air Cleaner	1
30	83.091006.01	Buckle	1
31	83.091002.02	Seal	1
32	83.090004.01	Pipe, Air Cleaner	1
33	83.130004.01	Gasket, Air Cleaner	1
34	83.130000.02	Carburetor, Assembly	1
35	83.130001.01	Insulator, Carburetor	1
36	83.130002.01	Gasket, Insulator	2
37	1.5789.0620	Flange Bolt M6×20	2
38	83.123000.01	Ignition Coil	1
39	83.030100.01	Crankcase	1
40	83.040013.01	Lifter, Valve	2
41	83.030013.01	Seal Strip, Crankcase Cover	2
42	2.04.002	Dowel Pin (Ø8×14)	2
43	1.276.6205	Bearing 6205	2
44	2.14.017	Woodruff Key (4×6.5×16)	1
45	83.125100.01	Starter Motor	1
46	5.1320.010	Plastic Corrugated Pipe (Ø6.8×Ø10×100)	1
47	5.1900.065	Red Wire, 130mm	1
48	1.9074.3.0508	Screw M5×8	1
49	152.200013.01	Sheath, Rubber	2
50	83.050100.01	Crankshaft	1
51	83.125200.01	Relay, Starter	1
52	1.5789.0615	Flange Bolt M6×15	1
53	83.030008.01	Gasket, Crankcase Cover	1
54	1.9074.4.0510	Screw M5×10	4
55	83.080014.01	Air Guide Board	1

No	Part Number	Description	QTY
56	2.03.016	Washer, Drain Bolt	1
57	2.08.037	Bolt, Drain (M10×1.25×25)	1
58	83.030009.01	Gasket, Cylinder Head	1
59	2.04.003	Dowel Pin (Ø10×14)	2
60	83.040006.01	Valve, Exhaust	1
61	83.040002.01	Valve, Intake	1
62	2.01.017	Stud Bolt (M6×32)	2
63	83.010100.01	Cylinder Head	1
64	2.15.002	Spark Plug (F6RTC)	1
65	83.040017.01	Oil Seal, Valve	1
66	83.040004.01	Guide Plate, Push Rod	1
67	1.5789.0865	Flange Bolt M8×65	2
68	1.5789.0845	Flange Bolt M8×45	2
69	2.01.020	Stud Bolt (M6×97)	2
70	83.040010.01	Bolt, Rocker Arm	2
71	83.040005.01	Push Rod	2
72	83.040003.01	Spring, Valve	2
73	83.040009.01	Rocker Arm, Intake Valve	2
74	83.040001.01	Retainer, Valve Spring (Up)	2
75	83.040014.01	Valve Collet	2
76	21.040020.00	Adjusting Nut, Valve	2
77	21.040021.00	Nut, Lock	2
78	83.080200.01	Air Shroud, Cylinder	1
79	23.020001.01	Breather Tube	1
80	83.021101.01	Cover, Cylinder Head	1
81	83.021001.01	Gasket, Cylinder Head Element	1
82	83.021200.01	Element Component, Head Cover	1
83	83.020002.01	Gasket, Cylinder Head Cover	1
84	83.050301.01	Ring, First Piston	1
85	83.050302.01	Ring, Second Piston	1
86	83.050303.01	Ring, Oil	1
87	2.09.002	Circlip (Ø16×Ø1)	2
88	83.050005.01	Piston	2
89	83.050003.01	Wrist Pin	1
90	83.050200.01	Connecting Rod	1
91	83.040100.01	Camshaft	1
92	83.031000.01	Oil Dipstick Assembly	1
93	83.030035.01	Oil Nipple	1
94	1.9074.1.0408	Screw M4×8	2
95	45.132200.01	Stepper Motor, Choke Valve	1
96	81.132200.00	Stepper Motor, Throttle Valve	1
97	83.132100.01	Stepper Motor Base	1
98	83.130005.02	Support, Stepper Motor	1
99	1.819.0508	Screw M5×8	1
100	81.130008.00	Connector, Throttle Valve Axis	1
101	81.130010.00	Spring, Connector	2
102	83.131000.02	Carburetor	1
103	1.818.0306	Screw M3×6	4
104	1.9074.3.0508	Screw M5×8	2
105	83.130008.01	Connector, Choke Valve Axis	1
106	83.131017.01	Standard Main Jet	1
	83.131017.01.01	Altitude Main Jet	/
107	83.061000.01	Recoil Assembly	1
108	83.091000.01	Air Cleaner Assembly	1
109	83.021000.01	Cylinder Head Cover	1
110	83.091008.01	Plug, Air Cleaner Base	1

The part numbers above are used for both UK and EU versions of the generator.

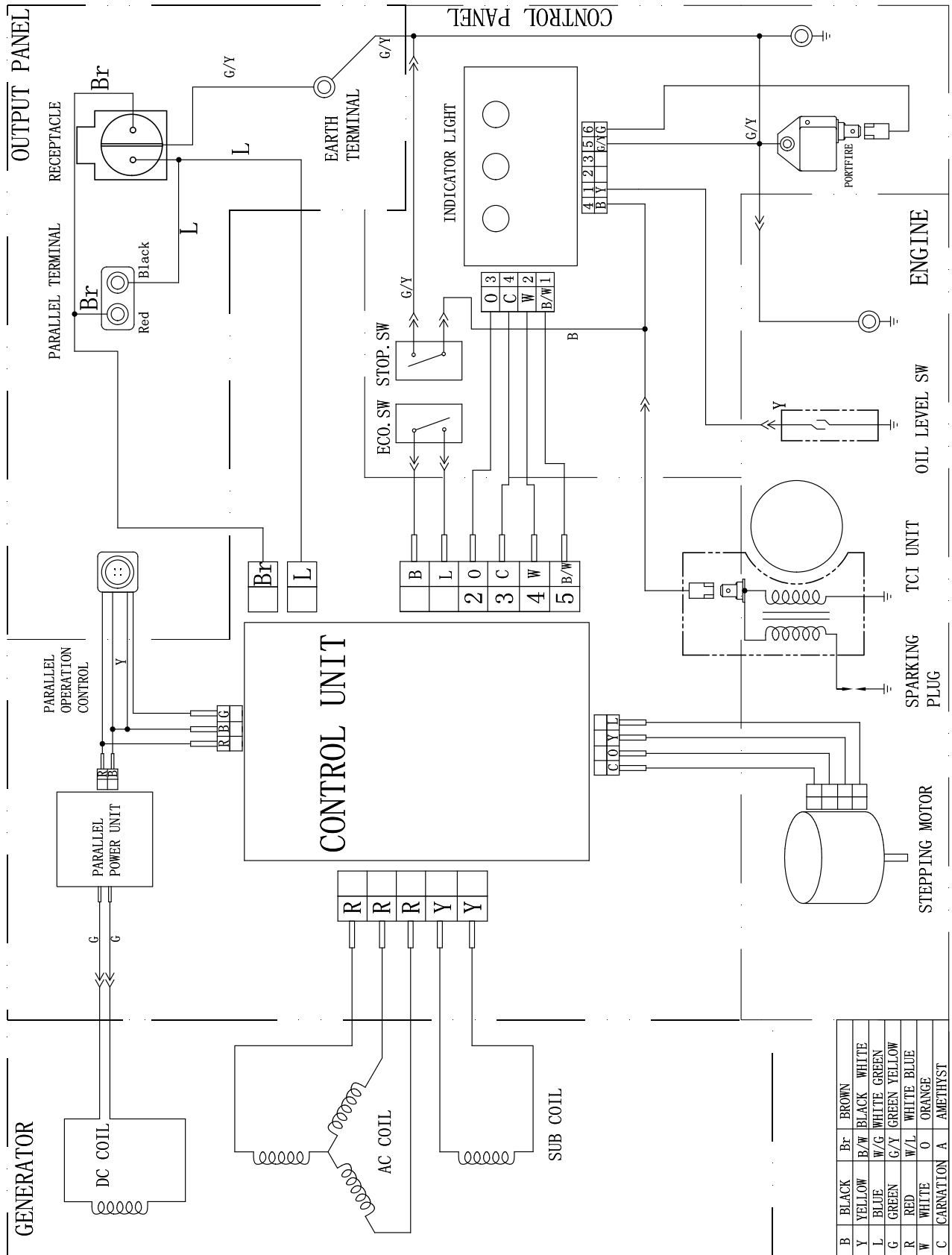
### Additional UK parts:

PART	DESCRIPTION
83.221000.00	240v 50hz Control unit
5.1110.000	240v 13amp Receptacle

EN

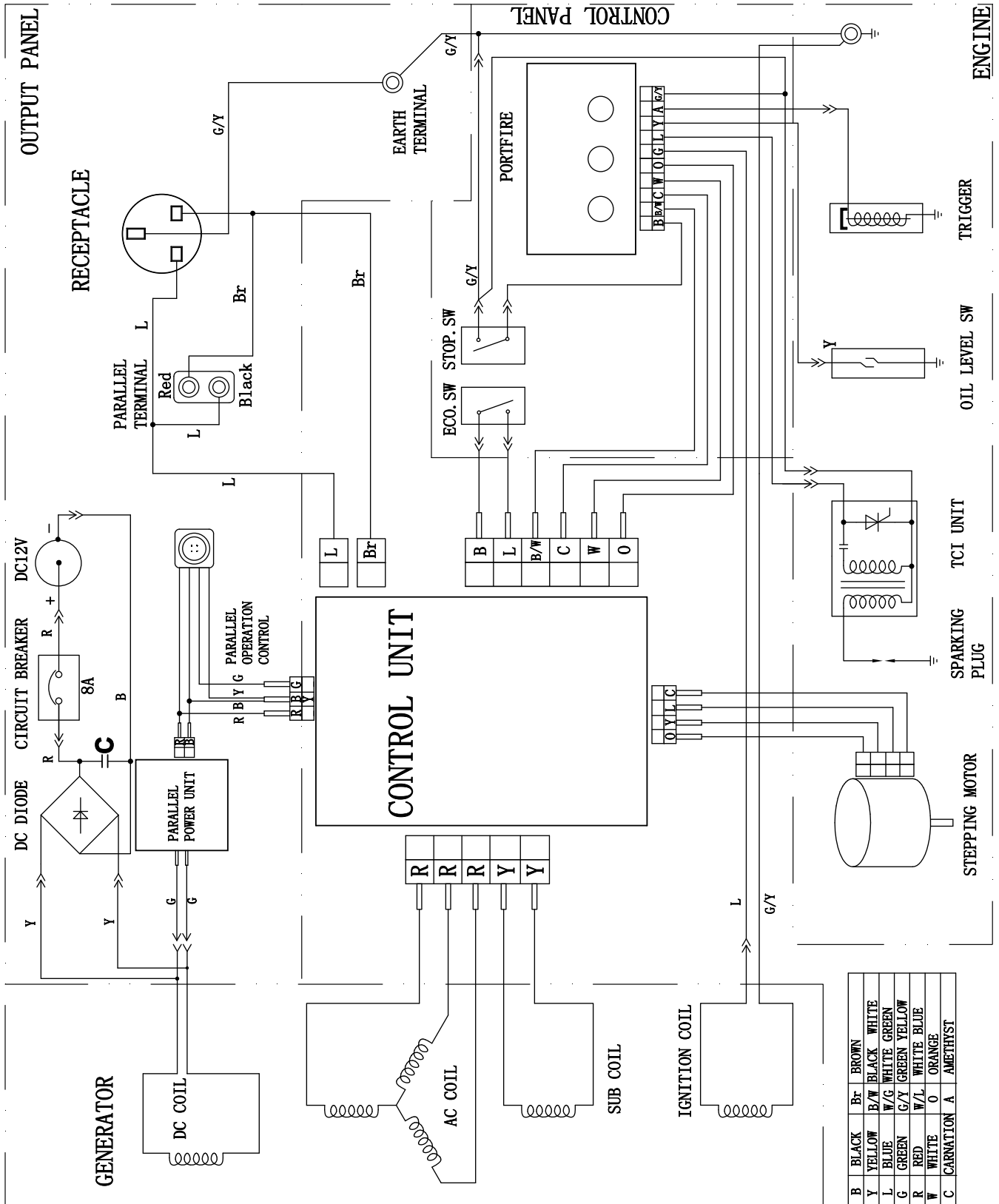
# TECHNICAL DIAGRAMS

## 71001I (EU/SC) WIRING DIAGRAM

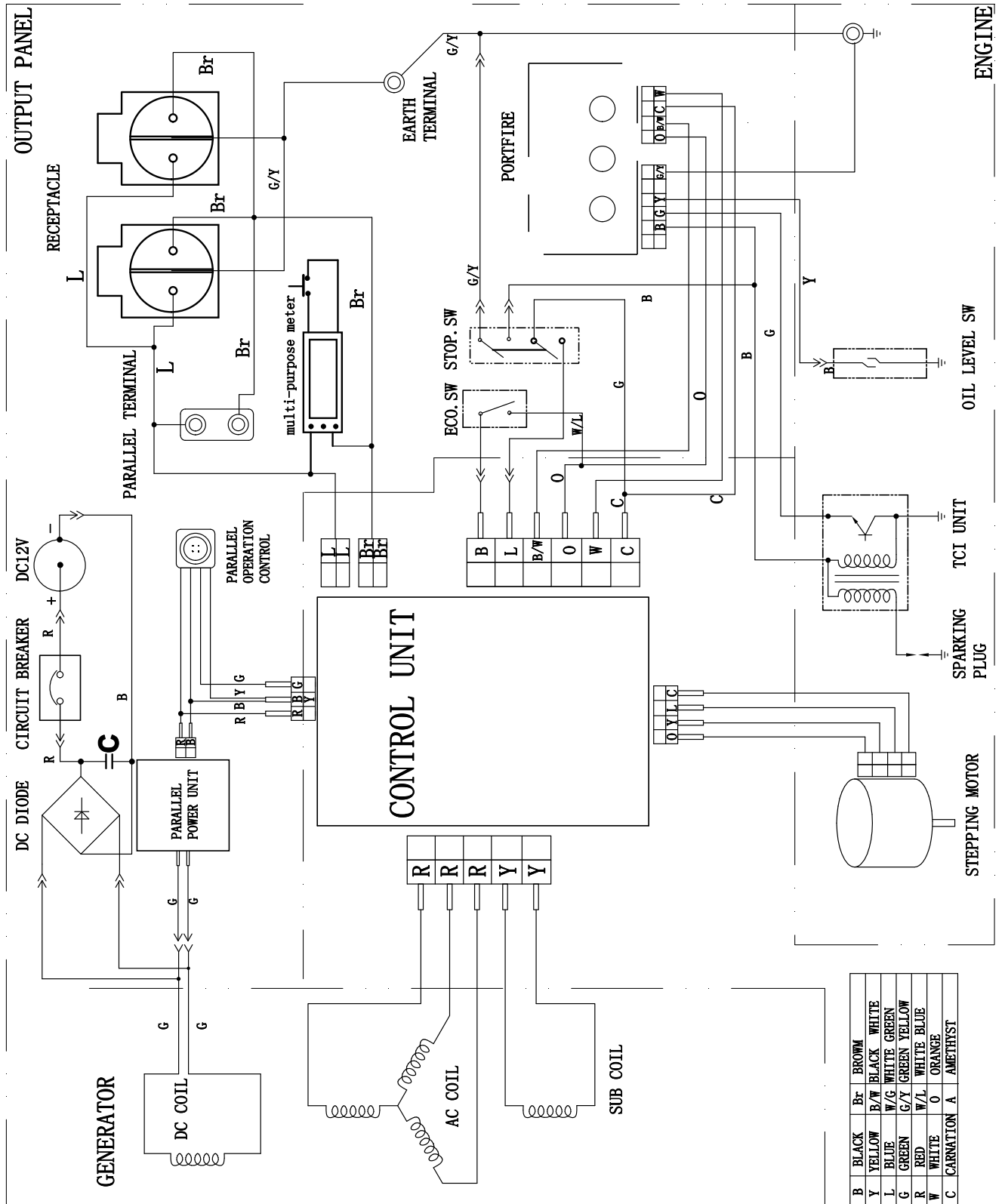




## 72301I (EU/SC) WIRING DIAGRAM

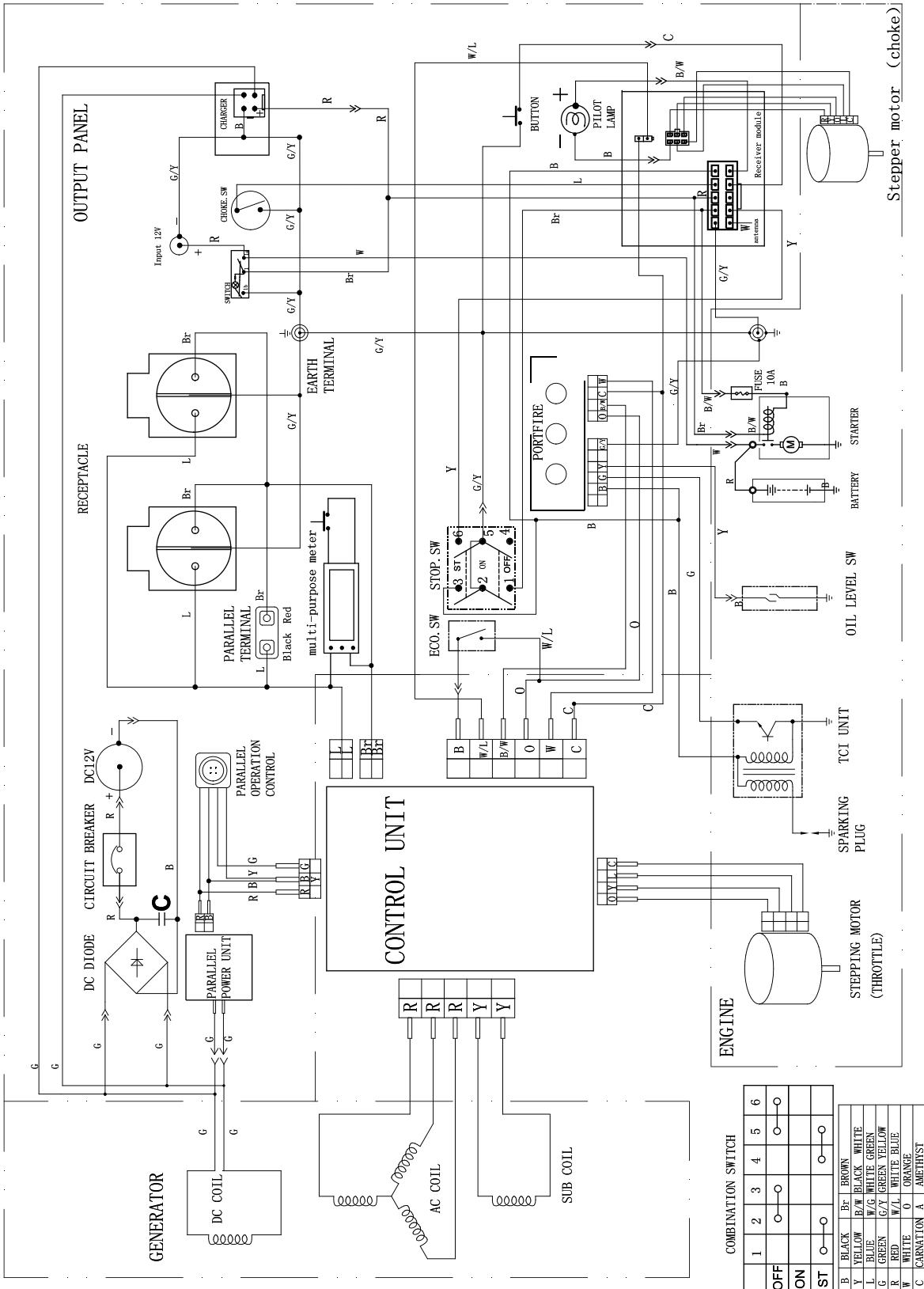


## 73001I (EU/SC) WIRING DIAGRAM



## 73001I-P (EU/SC) WIRING DIAGRAM


EN



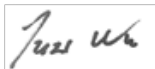
# Test Verification of Conformity

Verification Number: 220500634HZH-V1

On the basis of the referenced test report(s), sample(s) tested of the below product have been found to comply with the standards harmonized with the directives listed on this verification at the time the tests were carried out. Other standards and Directives may be relevant to the product. This verification is part of the full test report(s) and should be read in conjunction with it. This verification replaces previous verification 190800418HZH-V1 dated on 2019-09-05.

Once compliance with all product relevant  mark directives are verified, including any relevant e.g. risk assessment and production control, the manufacturer may indicate compliance by signing a Declaration of Conformity themselves and applying the mark to products identical to the tested sample(s).

Applicant Name & Address:	<b>CHAMPION POWER EQUIPMENT, INC. 12039 SMITH AVENUE, SANTA FE SPRINGS, CA 90670, USA</b>
Product Description:	<b>Low power generating sets</b>
Ratings & Principle Characteristics:	<b>50Hz, CosΦ=1,0, DC 12V, 8A, others see next page</b>
Models/Type References:	<b>See next page</b>
Brand Name:	<b>CHAMPION, CHAMPION POWER EQUIPMENT, CHAMPION GLOBAL POWER EQUIPMENT</b>
Relevant Standards/Directives:	<b>EN ISO 8528-13:2016 The Machinery Directive 2006/42/EC</b>
Verification Issuing Office Name & Address:	<b>Intertek Testing Services Zhejiang Ltd., Hangzhou Branch 4th Floor, Building 4#, No. 22, 22nd Street, Qiantang District Hangzhou, China 310018</b>
Date of Tests:	<b>2022-11-03</b>
Test Report Number(s):	<b>180600467HZH-001+A2</b>



**Signature**

**Name: Jun Wu**

**Position: Manager**

**Date: 07 Nov.2022**

This Verification is for the exclusive use of Intertek's client and is provided pursuant to the agreement between Intertek and its Client. Intertek's responsibility and liability are limited to the terms and conditions of the agreement. Intertek assumes no liability to any party, other than to the Client in accordance with the agreement, for any loss, expense or damage occasioned by the use of this Verification. Only the Client is authorized to permit copying or distribution of this Verification. Any use of the Intertek name or one of its marks for the sale or advertisement of the tested material, product or service must first be approved in writing by Intertek. The observations and test/inspection results referenced in this Verification are relevant only to the sample tested/inspected. This Verification by itself does not imply that the material, product, or service is or has ever been under an Intertek certification program.

## APPENDIX: Test Verification of Conformity

This is an Appendix to Test Verification of Conformity Number: 220500634HZH-V1.

### Models/Type References

Model	Rated voltage	Rated power	Max. power	Parallel output power
82001i-EU, 82001i-SC, 82001i-DE	220V	1,6kW	1,75kW	3,0kW
82001i	230V			
82001i-DF-EU, 82001i- DF-SC, 82001i-DF-DE	220V	1,6kW(Gasoline)/ 1,44kW(LPG)	3,4kW	3,0kW(Gasoline)/ 2,75kW(LPG)
82001i-DF	230V			
73001i-EU, 73001i-SC, 73001i-DE,	220V	3,2kW	3,4kW	6,0kW
73001i-P-EU, 73001i-P- SC, 73001i-P-DE				
73001i	230V			
73001i-P				
73001i-DF-EU, 73001i- DF-SC, 73001i-DF-DE	220V	3,2kW(Gasoline)/ 2,88kW(LPG)	3,6kW	6,0kW(Gasoline)/ 5,45kW(LPG)
73001i-DF	230V			
CPG4000DHY-EU, CPG4000DHY-SC, CPG4000DHY-DE,	220V	3,5kW	3,6kW	6,6kW
CPG4000DHY	230V			
CPG4000DHY-DF-EU, CPG4000DHY-DF-SC, CPG4000DHY-DF-DE	220V	3,5kW(Gasoline)/ 3,15kW(LPG)	3,6kW	6,6kW(Gasoline)/ 5,95kW(LPG)
CPG4000DHY-DF	230V			

### Signature

**Name: Jun Wu**

**Position: Manager**

**Date: 7 November 2022**

This Verification is for the exclusive use of Intertek's client and is provided pursuant to the agreement between Intertek and its Client. Intertek's responsibility and liability are limited to the terms and conditions of the agreement. Intertek assumes no liability to any party, other than to the Client in accordance with the agreement, for any loss, expense or damage occasioned by the use of this Verification. Only the Client is authorized to permit copying or distribution of this Verification. Any use of the Intertek name or one of its marks for the sale or advertisement of the tested material, product or service must first be approved in writing by Intertek. The observations and test/inspection results referenced in this Verification are relevant only to the sample tested/inspected. This Verification by itself does not imply that the material, product, or service is or has ever been under an Intertek certification program.

# Test Verification of Conformity

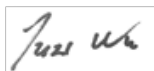
Verification Number: 220500636HZH-V1

On the basis of the referenced test report(s), sample(s) tested of the below product have been found to comply with the standards harmonized with the regulation(s) listed on this verification at the time the tests were carried out. Other standards and Regulations may be relevant to the product. This verification is part of the full test report(s) and should be read in conjunction with it. This verification replaces previous verification 210300686HZH-V1 dated on 2021-04-13.



Once compliance with all product relevant **UK CA** mark regulations are verified, including any relevant e.g. risk assessment and production control, the manufacturer may indicate compliance by signing a Declaration of Conformity themselves and applying the mark to products identical to the tested sample(s).

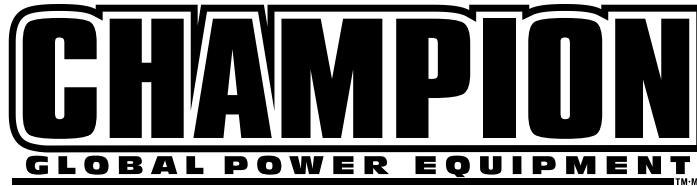
Applicant Name & Address:	<b>CHAMPION POWER EQUIPMENT, INC. 12039 SMITH AVENUE, SANTA FE SPRINGS, CA 90670, USA</b>
Product Description:	<b>Low power generating sets</b>
Ratings & Principle Characteristics:	<b>240V~, 50Hz, CosΦ=1,0, DC 12V, 8A, others see next page</b>
Models/Type References:	<b>82001i-UK, 82001i-DF-UK, 73001i-UK, 73001i-P-UK, 73001i-DF-UK, CPG4000DHY-UK, CPG4000DHY-DF-UK</b>
Brand Name:	<b>CHAMPION, CHAMPION POWER EQUIPMENT, CHAMPION GLOBAL POWER EQUIPMENT</b>
Relevant Standards/Regulations:	<b>EN ISO 8528-13:2016 Supply of Machinery (Safety) Regulations 2008</b>
Verification Issuing Office Name & Address:	<b>Intertek Testing Services Zhejiang Ltd., Hangzhou Branch 4th Floor, Building 4#, No. 22, 22nd Street, Qiantang District Hangzhou, China 310018</b>
Date of Tests:	<b>2022-11-08</b>
Test Report Number(s):	<b>210300686HZH-001+A1</b>



**Signature**

**Name: Jun Wu  
Position: Manager  
Date: 11 Nov.2022**

This Verification is for the exclusive use of Intertek's client and is provided pursuant to the agreement between Intertek and its Client. Intertek's responsibility and liability are limited to the terms and conditions of the agreement. Intertek assumes no liability to any party, other than to the Client in accordance with the agreement, for any loss, expense or damage occasioned by the use of this Verification. Only the Client is authorized to permit copying or distribution of this Verification. Any use of the Intertek name or one of its marks for the sale or advertisement of the tested material, product or service must first be approved in writing by Intertek. The observations and test/inspection results referenced in this Verification are relevant only to the sample tested/inspected. This Verification by itself does not imply that the material, product, or service is or has ever been under an Intertek certification program.



**For warranty and repair enquiries,  
please contact the retailer where you  
purchased your Champion product.**

## **Champion Power Equipment Europe Service & Technical Contacts**

### **United Kingdom:**

BPE Holdings  
Unit 17-18  
Bradley Hall Trading Estate  
Bradley Lane, Standish  
Wigan, WN6 0XQ, UK  
[service@bpeholdings.co.uk](mailto:service@bpeholdings.co.uk)

### **Germany:**

BPE Solutions Deutschland GmbH  
Altröttstraße 31  
D-69190 Walldorf  
Germany  
[support@bpeholdings.de](mailto:support@bpeholdings.de)

### **Sweden:**

BPE Nordic AB  
Valnäsgratan 2  
44252 Ytterby  
Sweden  
[info@championgenerators.se](mailto:info@championgenerators.se)