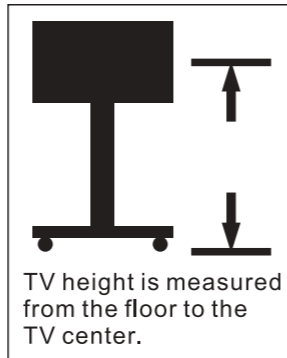
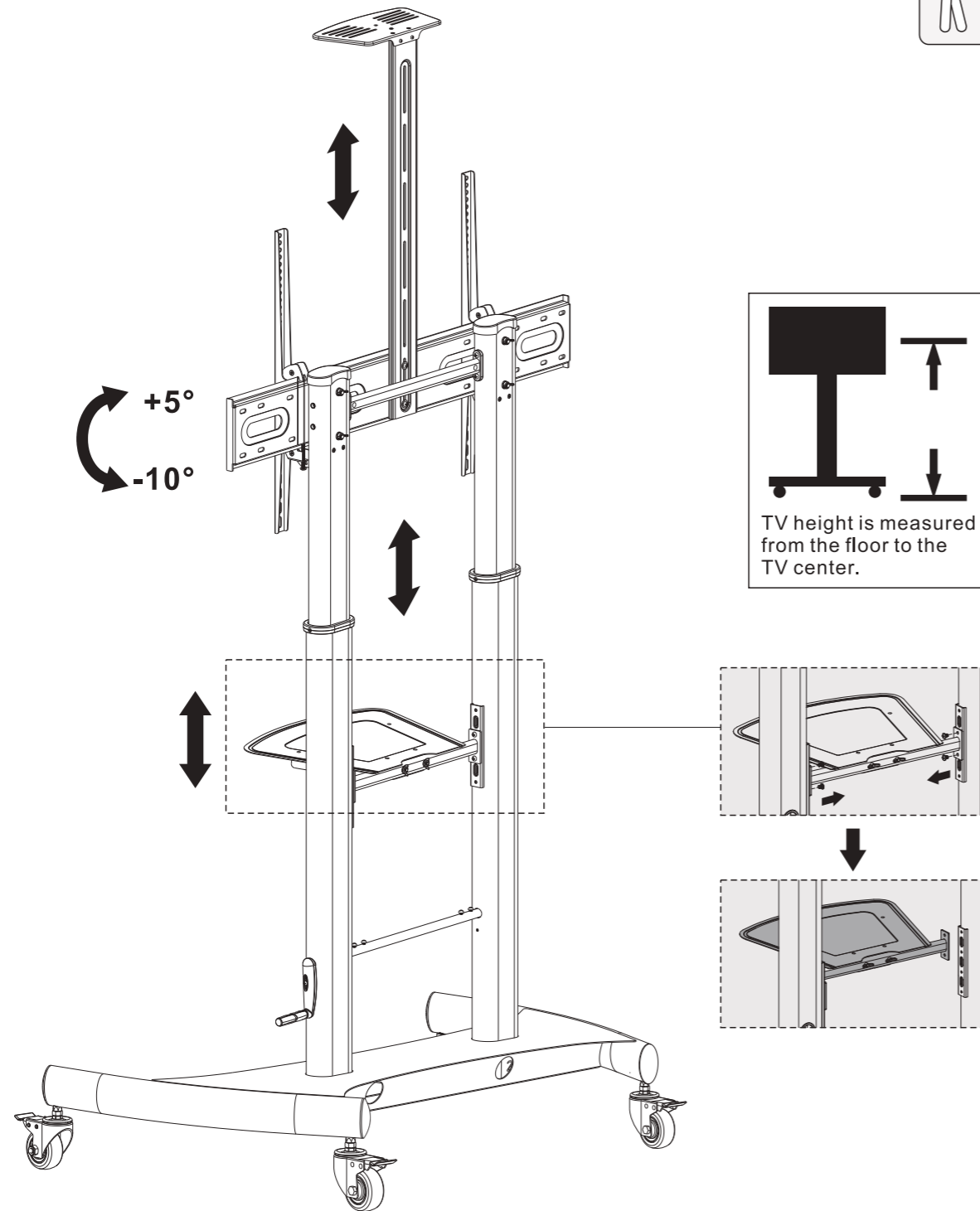


12. Adjustment



TV height is measured from the floor to the TV center.

Note: It is recommended to adjust the columns to the desired height before installing the display.

Maintenance

- Check if the bracket is secure and safe to use at regular intervals(at least every three months).
- Please contact your distributor if you have any questions.

 **gembird**[®]

USER MANUAL • HANDBUCH • HANDLEIDING • MANUALE D'USO • MANUAL DE USUARIO • MANUAL DO USUÁRIO • MANUEL DESCRIPTIF • INSTRUKCJA OBSŁUGI • UŽIVATELSKÝ MANUÁL • ІНСТРУКЦІЯ КОРИСТУВАЧА • POUŽÍVATEĽSKÁ PRÍRUČKA • VARTOTOJO VADOVAS • MANUAL DE UTILIZARE

Height adjustable TV floor stand with caster wheels

TVS-100T-02

VESA Compatible
400x400 600x400 800x400
800x600 900x600 1000x600

100"
MAX

TV
RATED

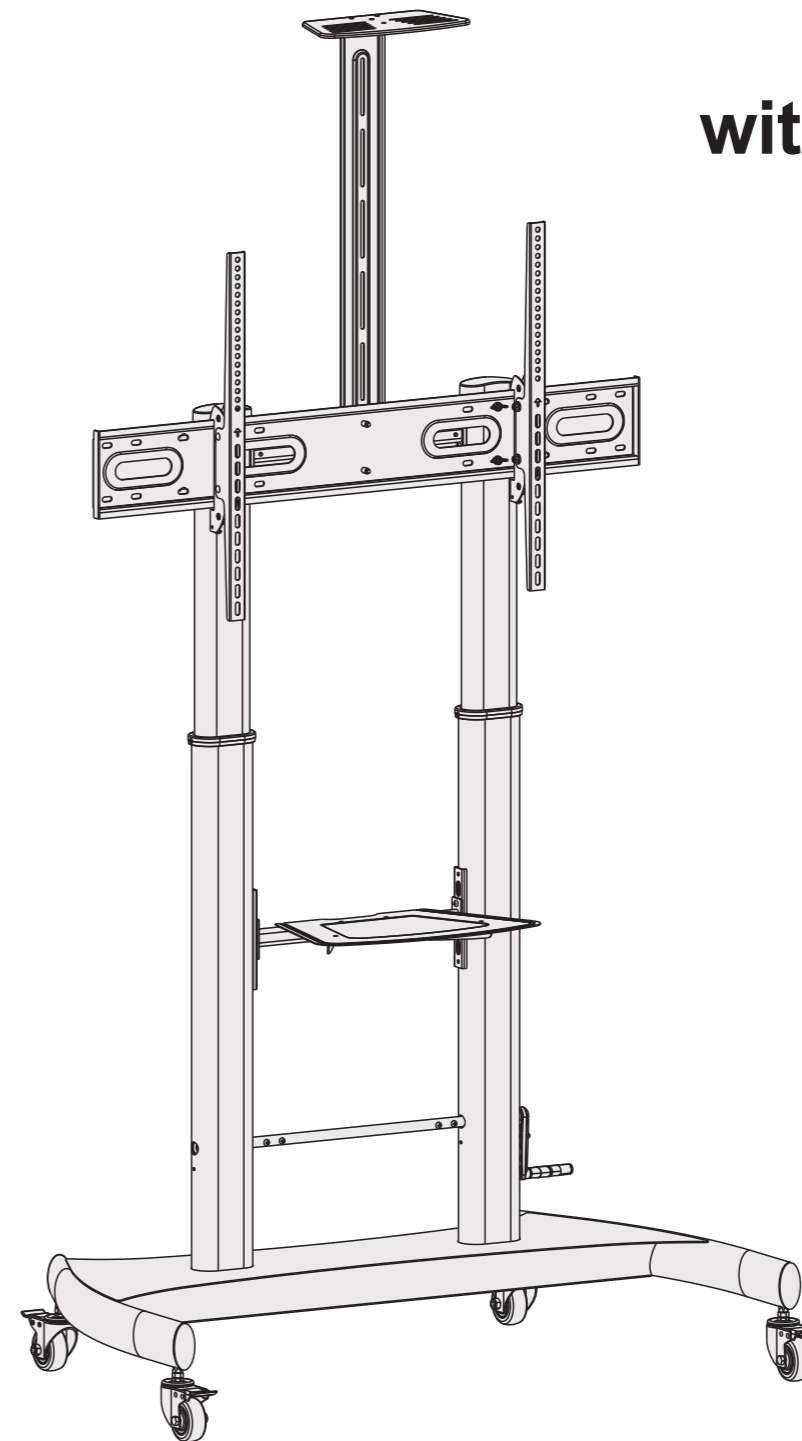
100kg/220lbs

DVD
RATED

5kg/11lbs

CAMERA
RATED

5kg/11lbs



GENERAL INFORMATION

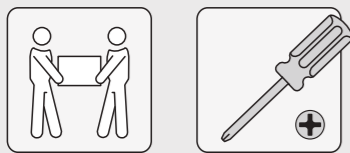
This product has been manufactured by or on behalf of Gembird Europe B.V. Inquiries to the EU Importer or related to product compliance in Europe should be sent to: Gembird Europe B.V., Wittevrouwen 56, 1358 CD, Almere, The Netherlands. www.gmb.nl
 Warranty conditions: www.gmb.nl/warranty
 Product support: www.gmb.nl/service-and/or-helpdesk@gembird.nl

SAFETY

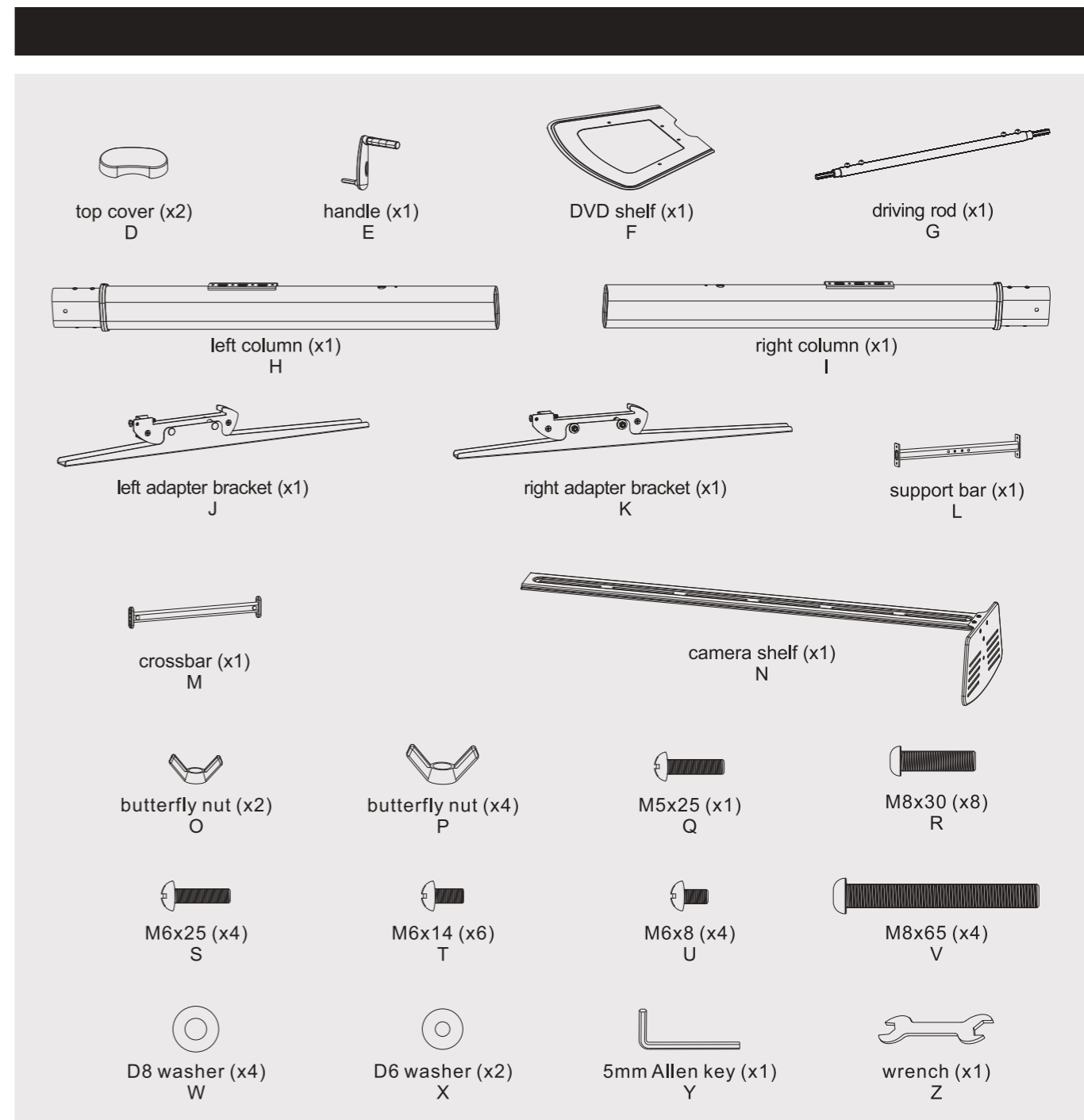
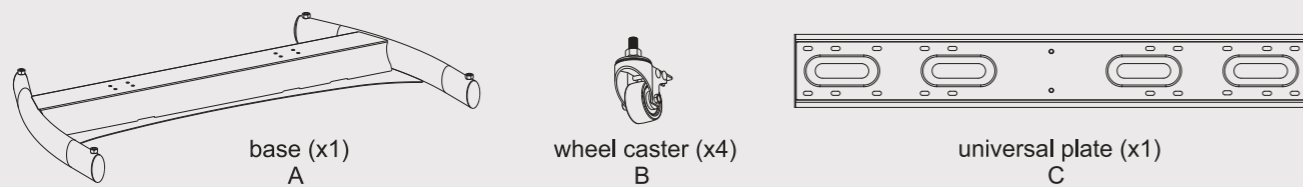
To ensure safe handling of the product, follow the safety advice on: **(DE/AT)** Hinweise zum sicheren Gebrauch der Produkte finden Sie auf: **(NL/BE)** Voor een veilig gebruik van het product volgt u deze algemene veiligheidsaanwijzingen op: **(ES)** Para garantizar una manipulación segura de los dispositivos, siga las advertencias de seguridad disponibles en: **(CZ)** Abyste zajistili bezpečnou manipulaci s výrobkem, dodržujte bezpečnostní pokyny na: **(FR/BE)** Pour garantir une manipulation sûre des appareils, suivez les consignes de sécurité sur: **(IT)** Per garantire una manipolazione sicura del prodotto, seguire i consigli di sicurezza su: **(PT)** Para garantir o manuseio seguro do produto, siga as recomendações de segurança em: **(PL)** Aby obchodzić się bezpiecznie z produktami, należy przestrzegać wskazówek dotyczących bezpieczeństwa: **(RO)** Pentru asigurarea unei manipulari în condiții de siguranță a produsului, urmați recomandările de securitate de pe: **(SK)** Na zaistenie bezpečnej manipulácie so zariadeniami sa riadte bezpečnostnými pokynmi na: **(SL)** Za zagotavljanje varnega ravnanja z napravami, upoštevajte varnostna navodila, ki jih najdete na: **(HR)** Da biste osigurali sigurno rukovanje uređajima, pratite sigurnosne savjete na web-mjestu: **(HU)** A készülékek biztonságos kezelésének érdekében kövesse a biztonsági tanácsokat **(BG)** За да осигурите безопасна работа на устройствата, следвайте съветите за безопасност по-долу: www.gmb.nl/safety



Requirement for Installation

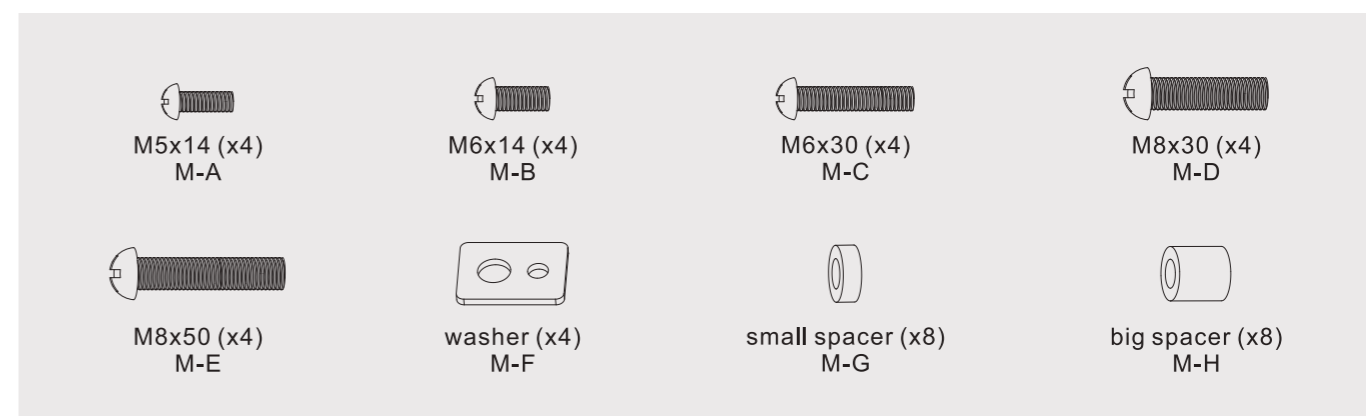


Component Checklist

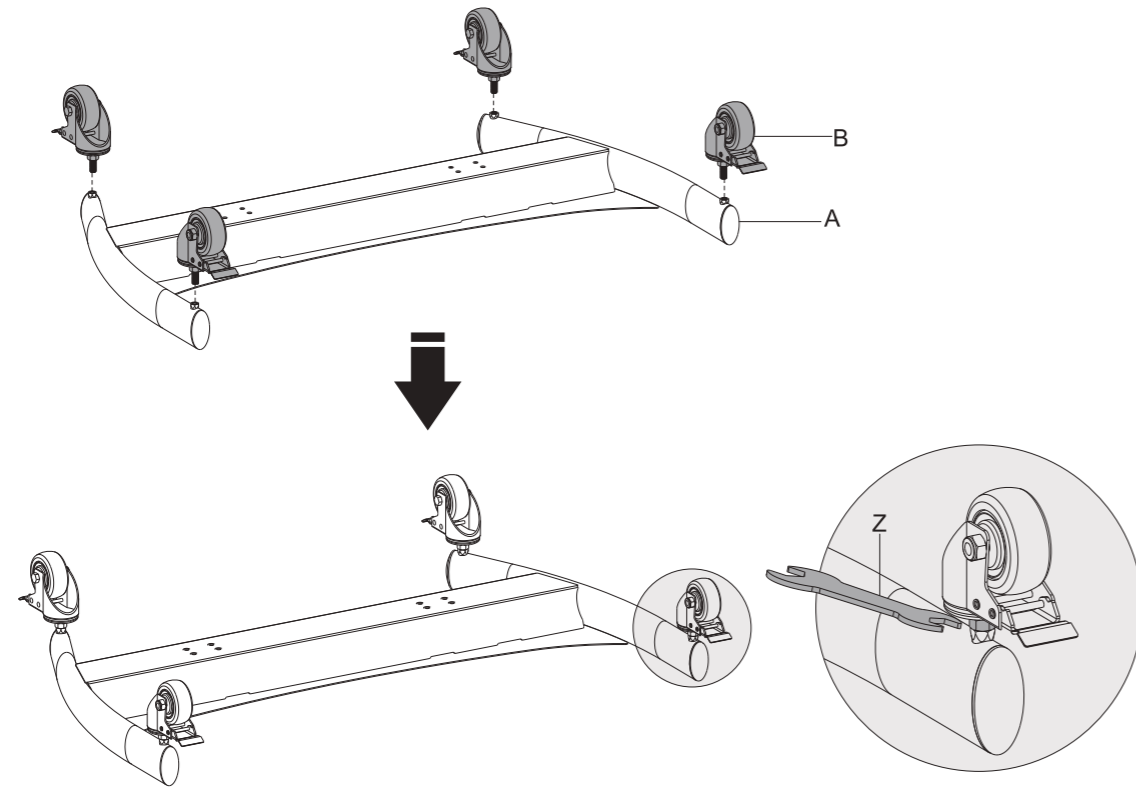


IMPORTANT: Ensure that you have received all parts according to the component checklist prior to installation. If any parts are missing or faulty, contact your place of purchase for a replacement.

Package M

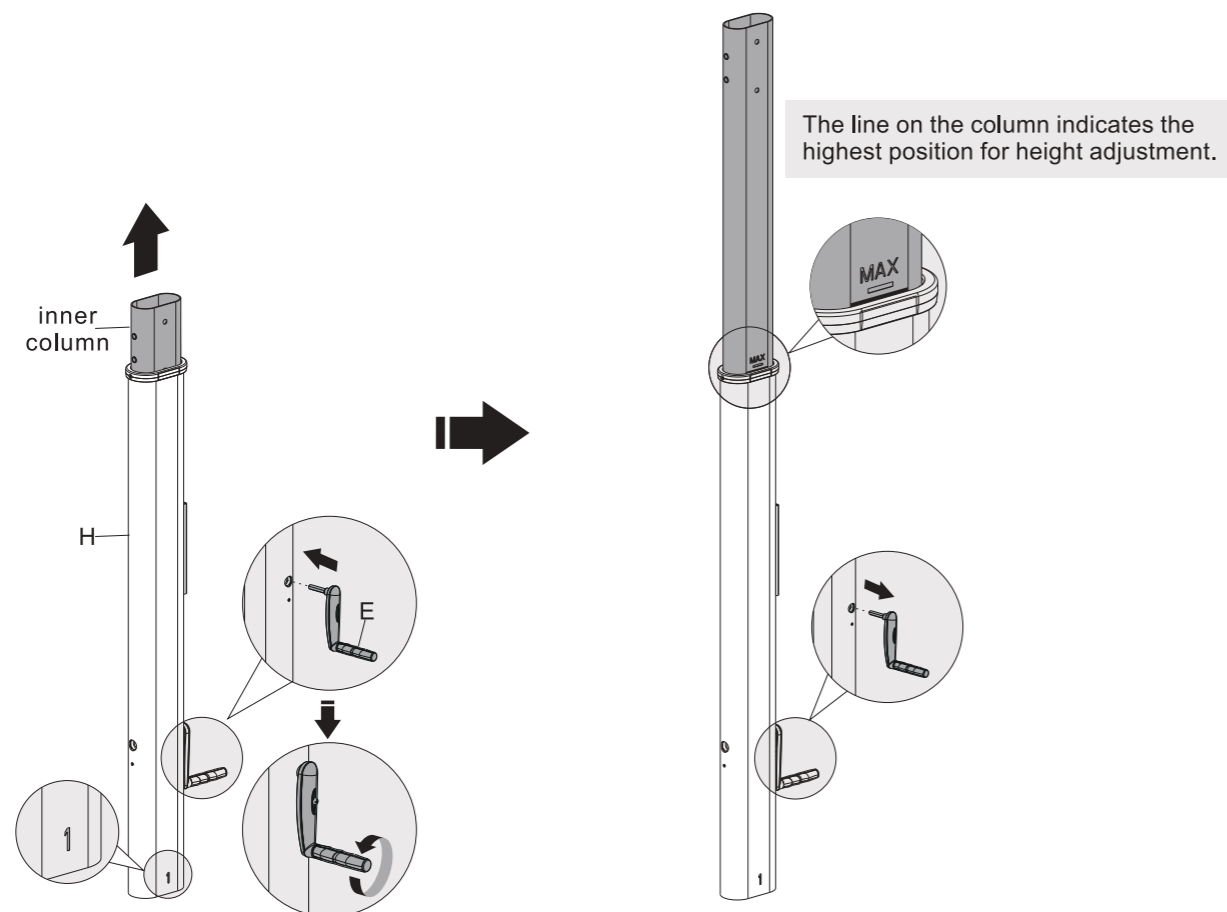


1. Installing the Wheel Caster

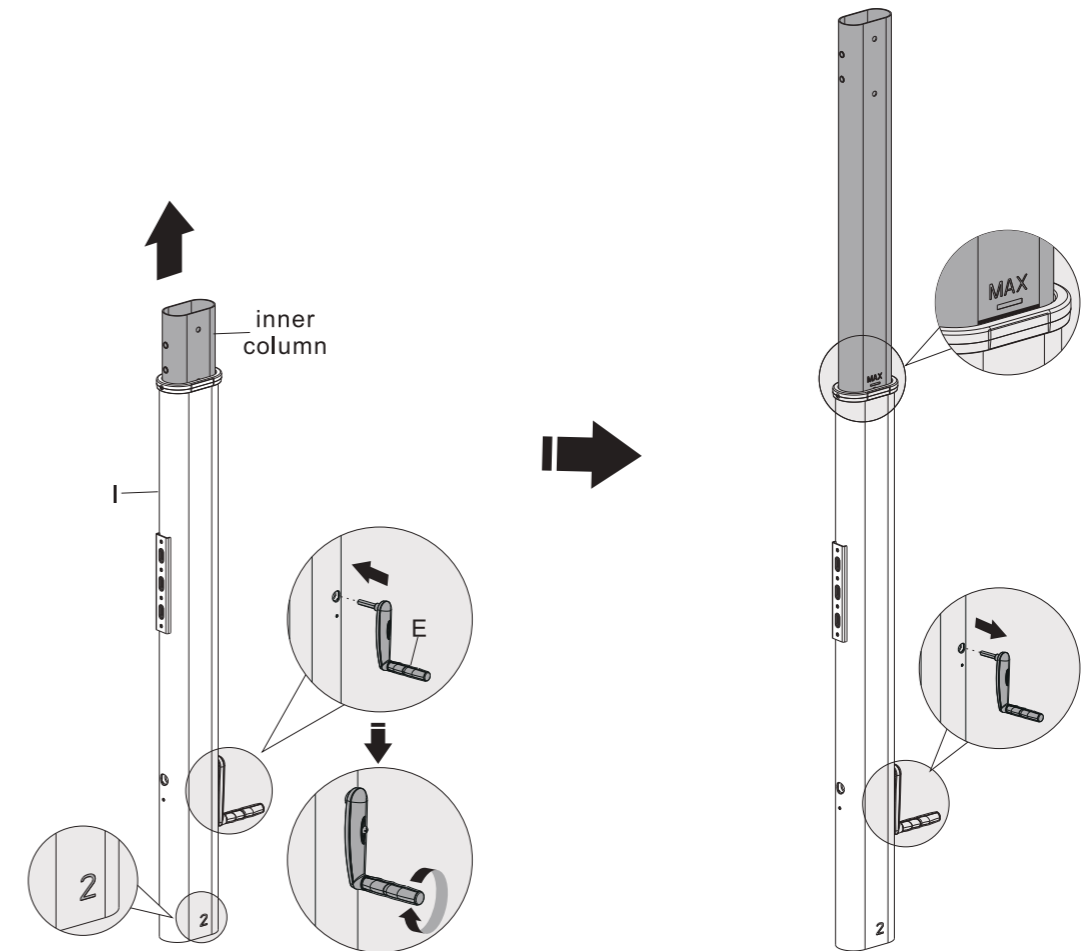


Note: Each caster can be adjusted independently for fine tuning. Slightly turn the nut to lower or raise the base.

2. Adjusting the Columns



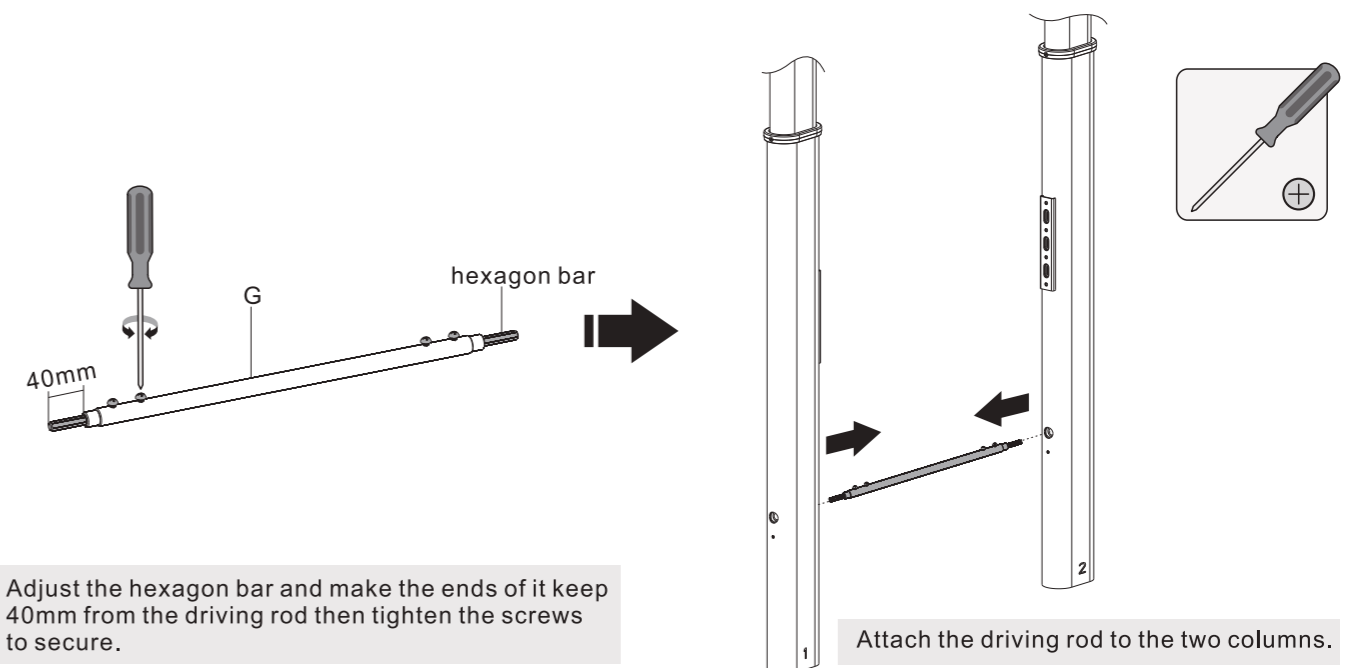
3. Attaching the Driving Rod to the Two Columns



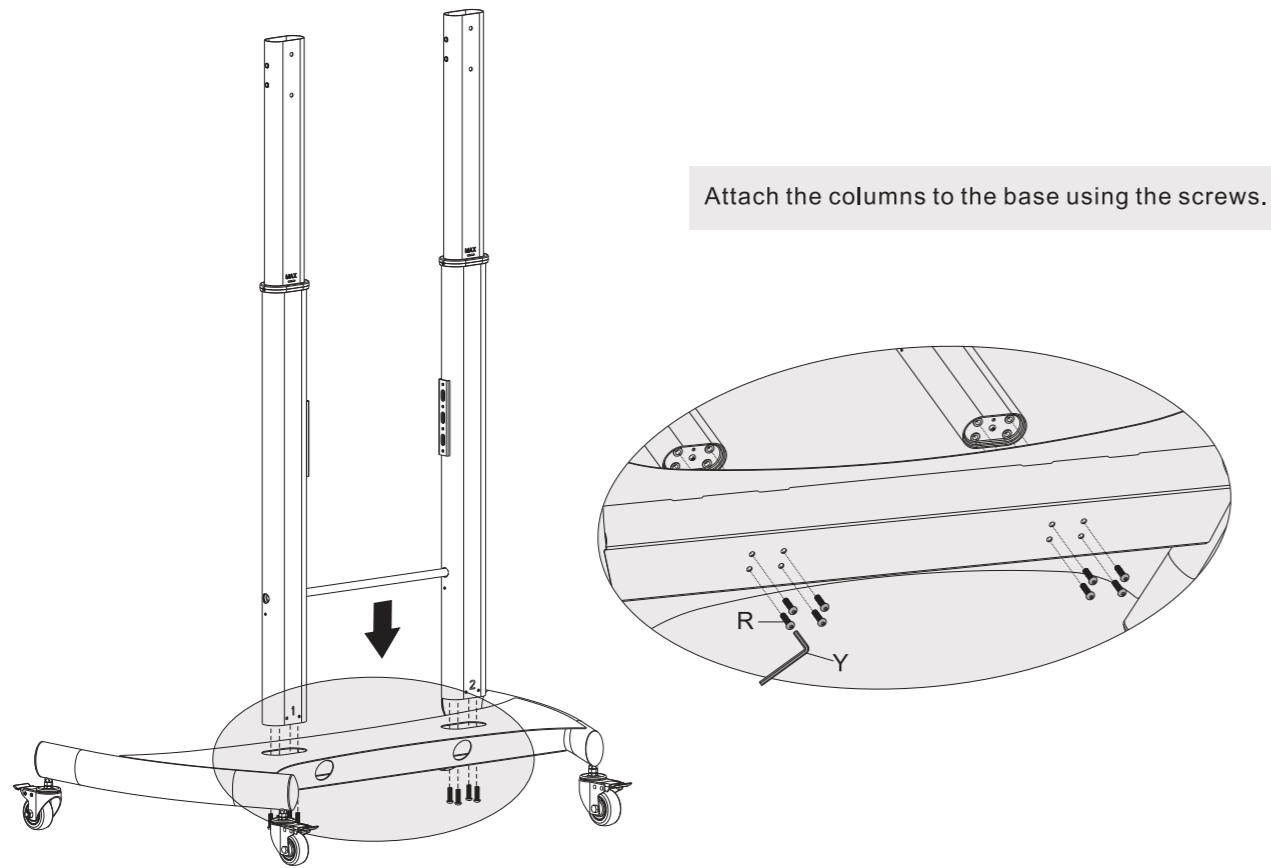
Attach the handle to the column marked with "1".
Attach the handle to the column marked with "2".
Turn the handle to make the inner column run upwards to the highest position.

NOTE: With the "1" and "2" mark facing forward.

3. Attaching the Driving Rod to the Two Columns

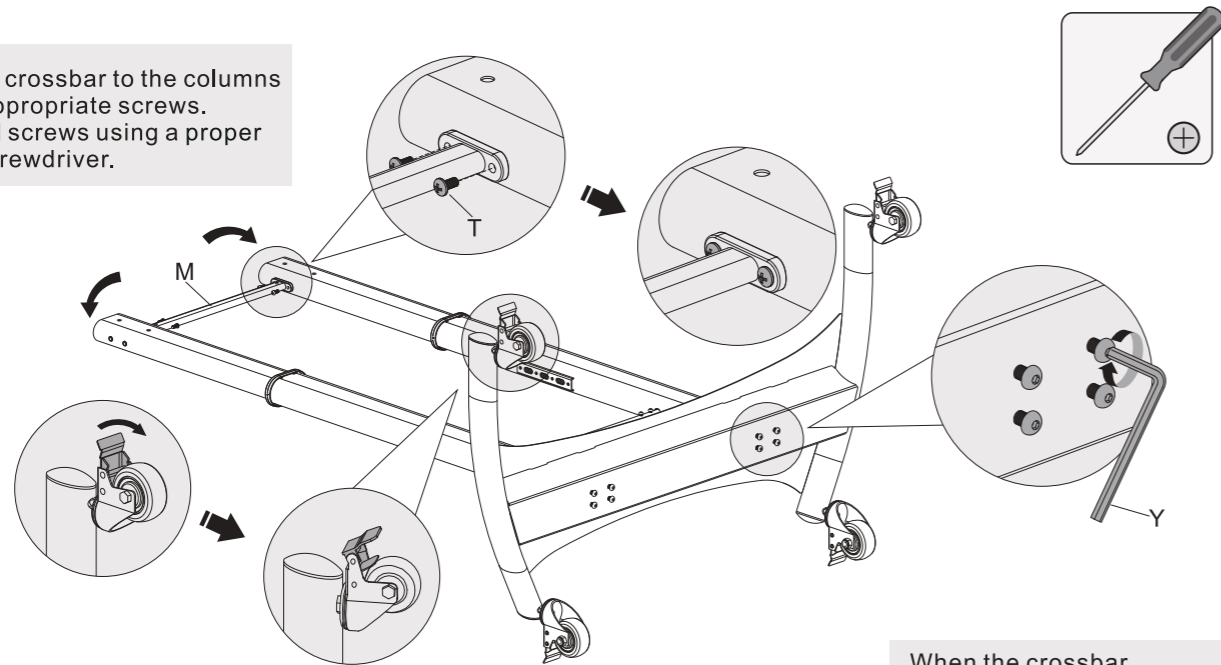


4. Attaching the Columns to the Base

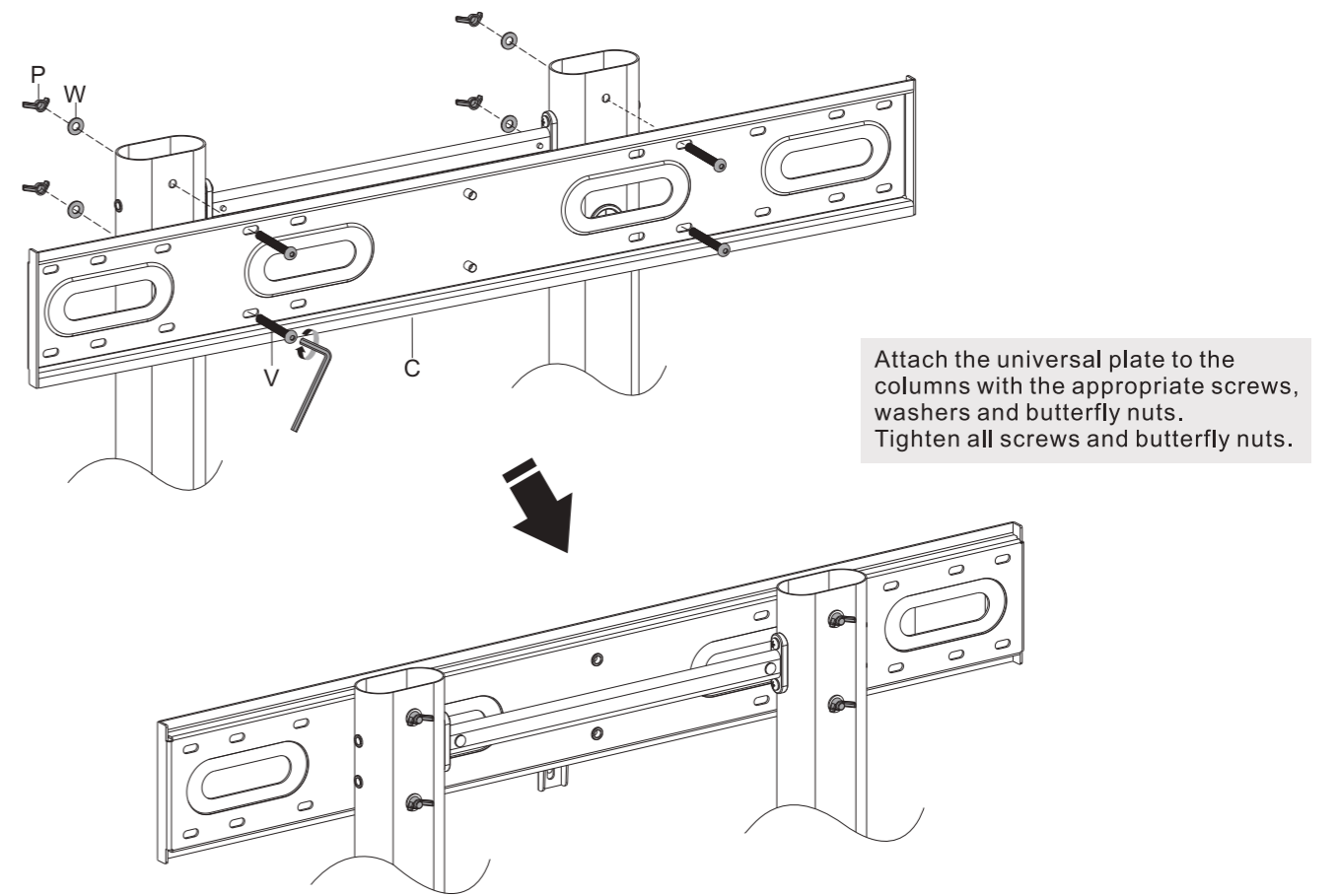


5. Installing the Crossbar

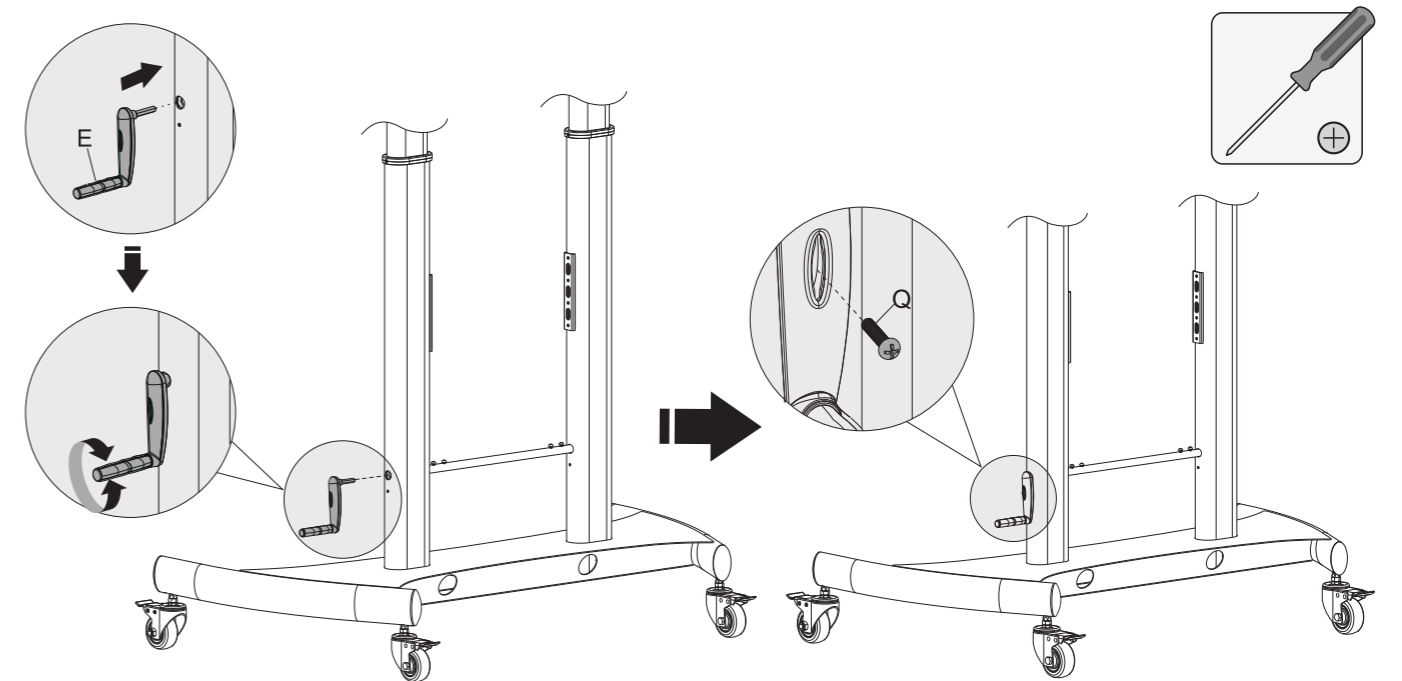
Attach the crossbar to the columns with the appropriate screws. Tighten all screws using a proper Phillips screwdriver.



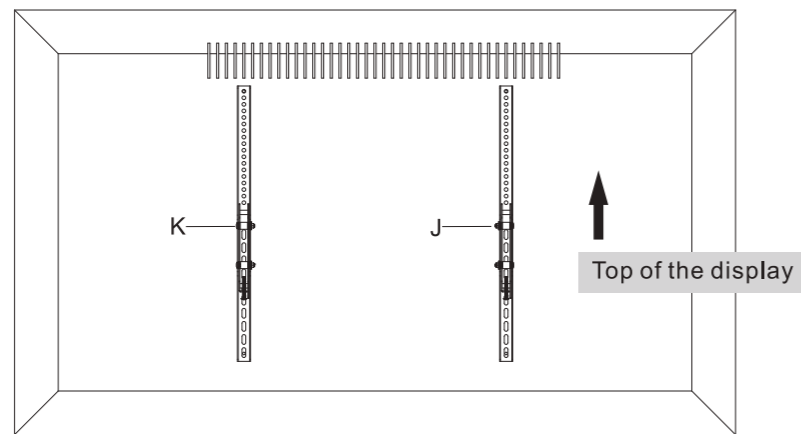
6. Installing the Universal Plate



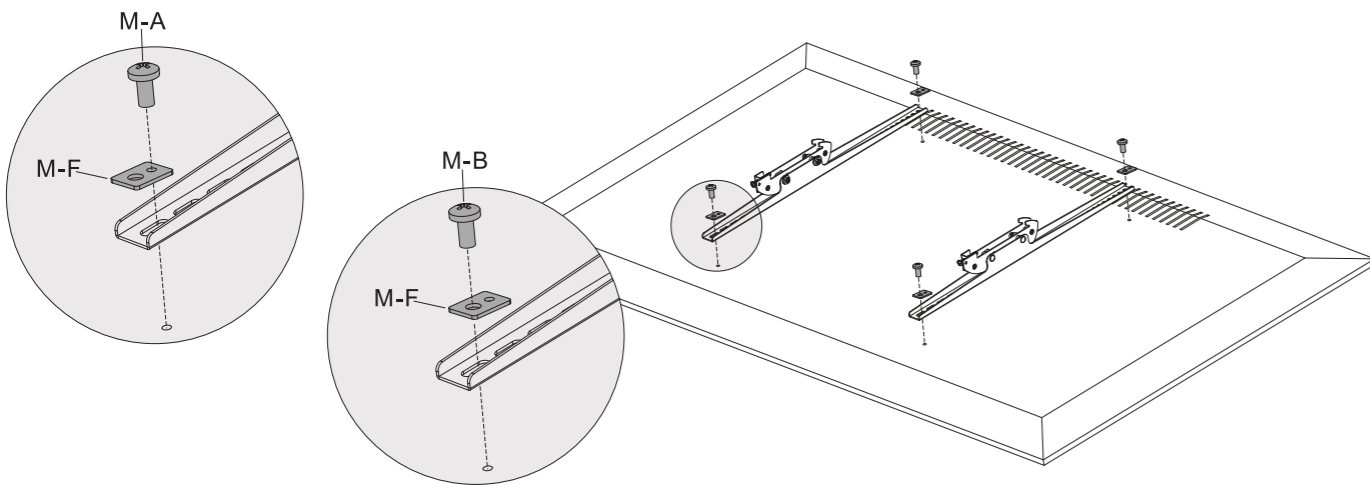
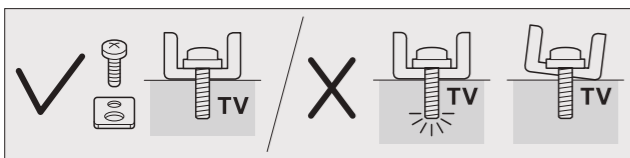
7. Adjustment



8. Installing the Adapter Brackets

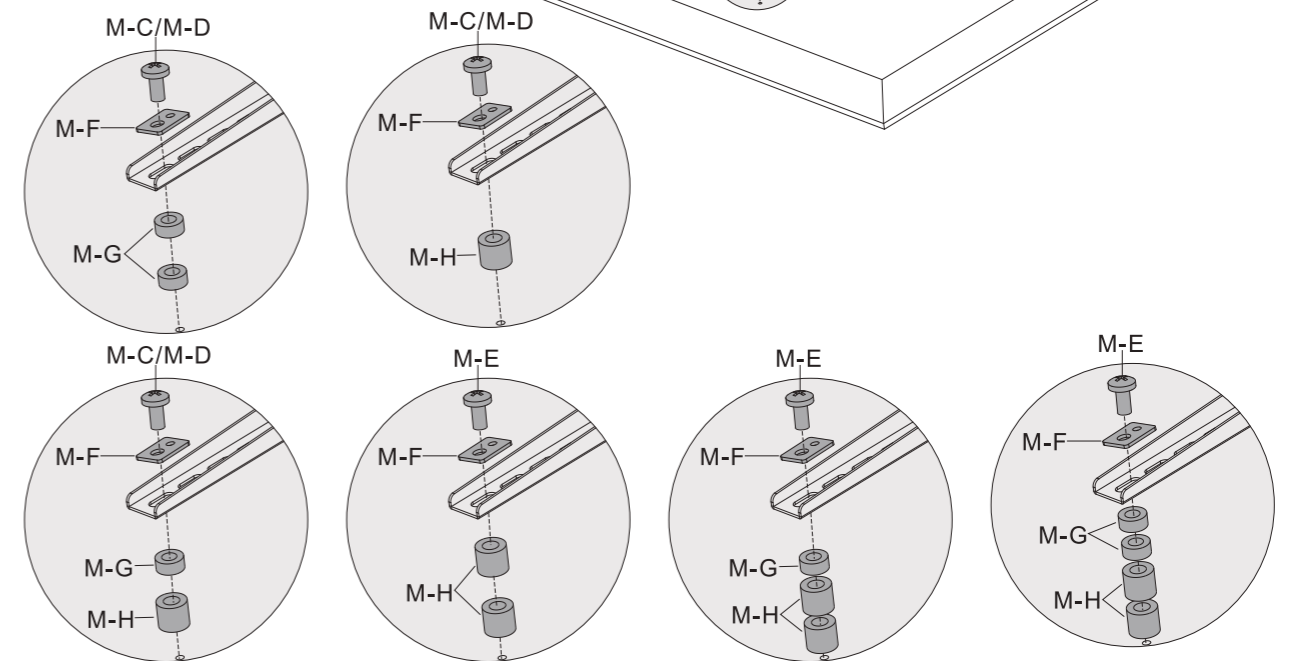
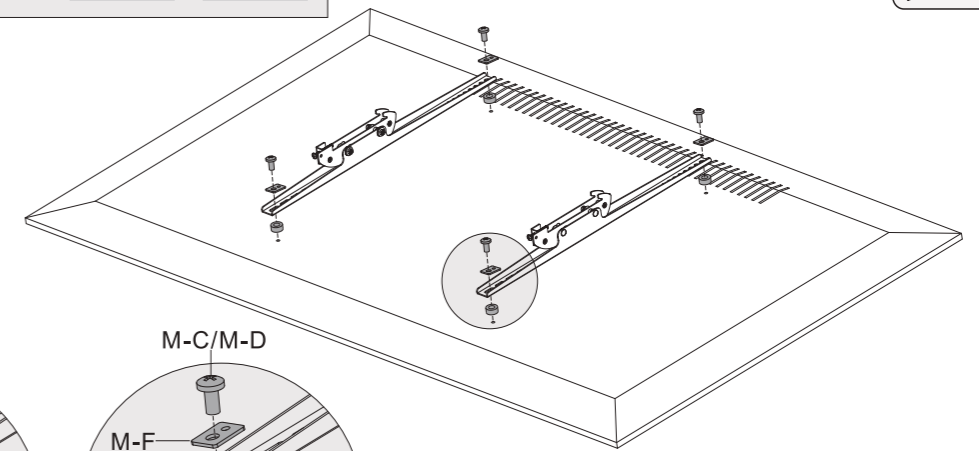


8a. For Flat Back Screens



M-A			M-B		
M-F					

8b. For Screens with Irregular Back

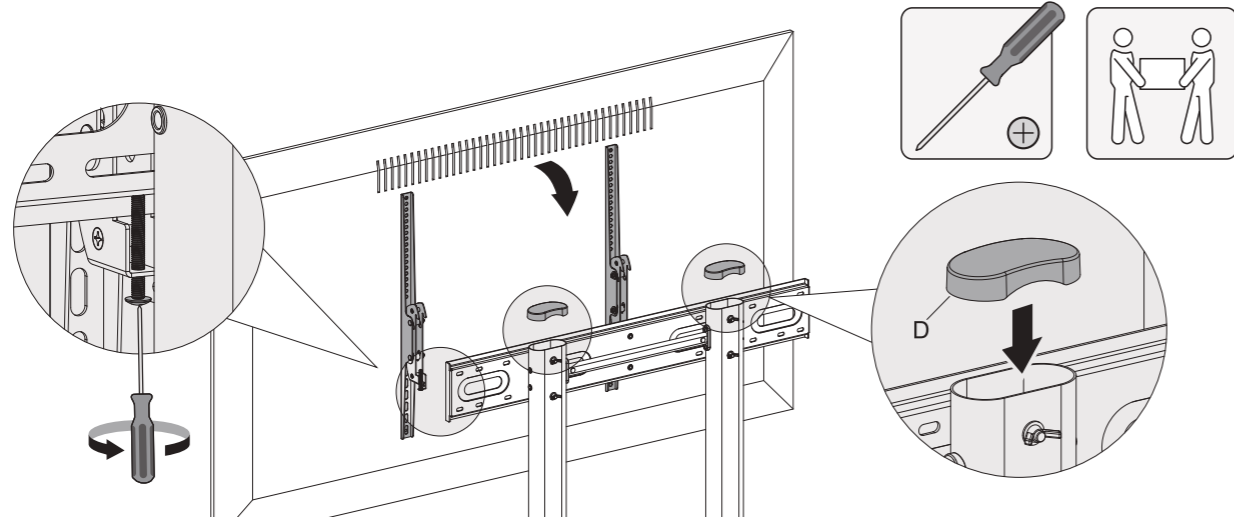


M-C			M-D		
M-E			M-F		
M-G			M-H		

Note: Choose the appropriate screws, washers and spacers (if necessary) according to the type of screen.
 • Position the adapter brackets as close as possible to the center of the display.
 • Screw the adapter brackets onto the display.

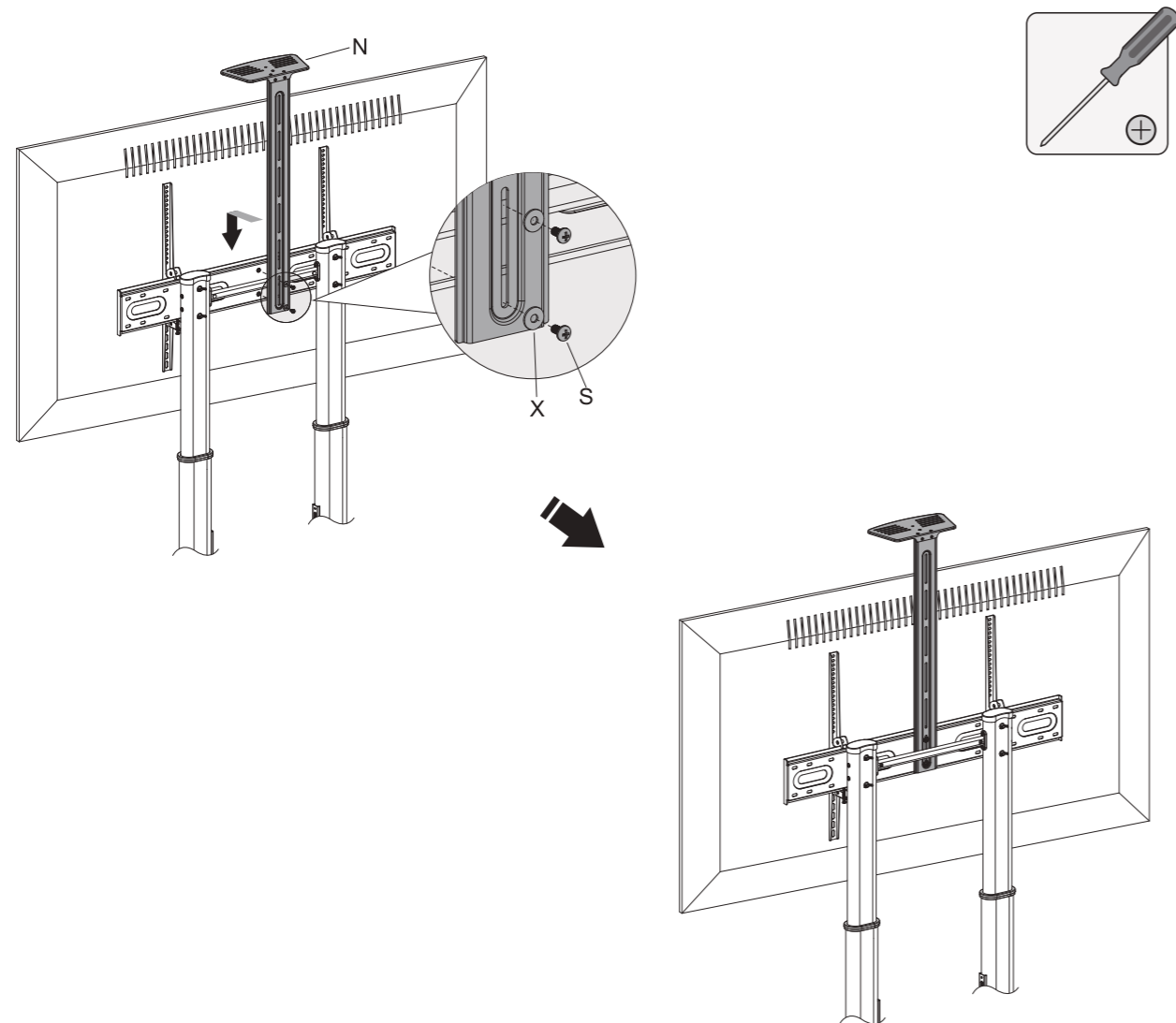
Tighten all screws but do not over tighten.

9. Hooking the Display onto the Universal Plate

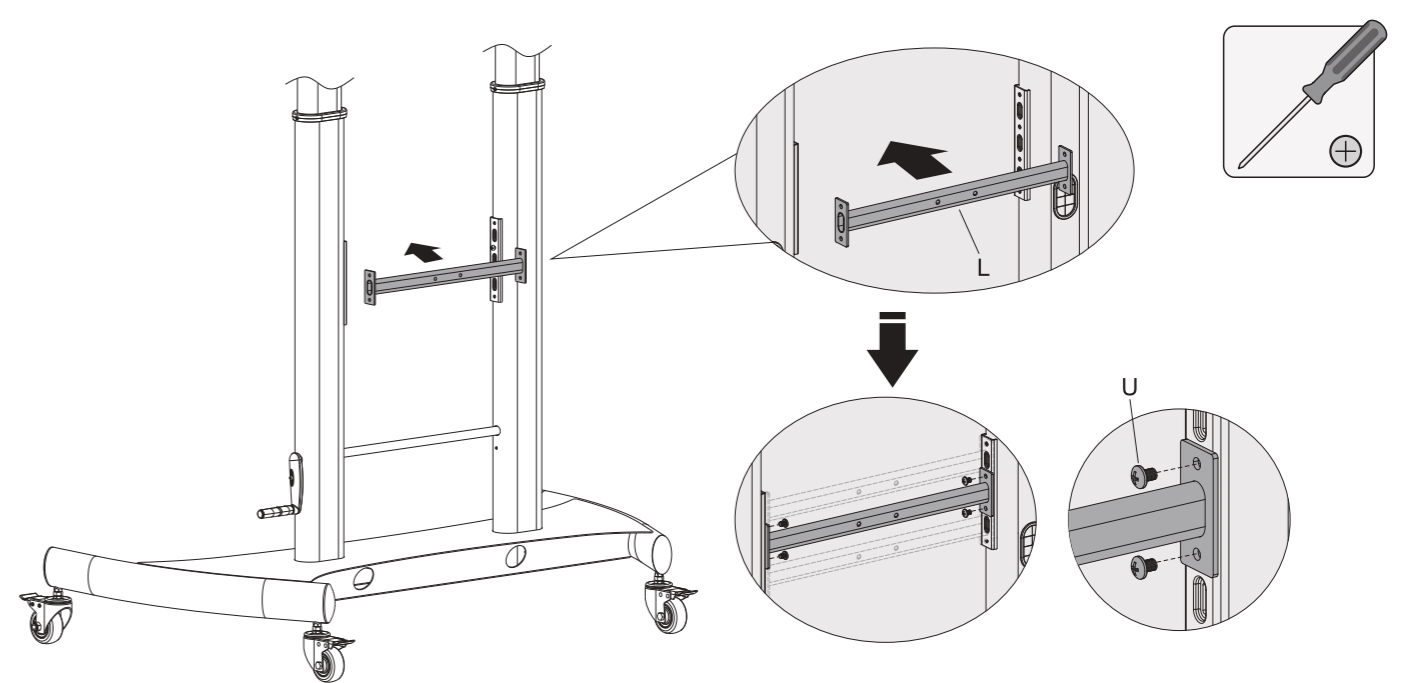


- Hook the display onto the universal plate.
 - Tighten the bottom screws to secure them.
- IMPORTANT:** Make sure the display is mounted correctly and the screws are tightened safely before releasing the display.

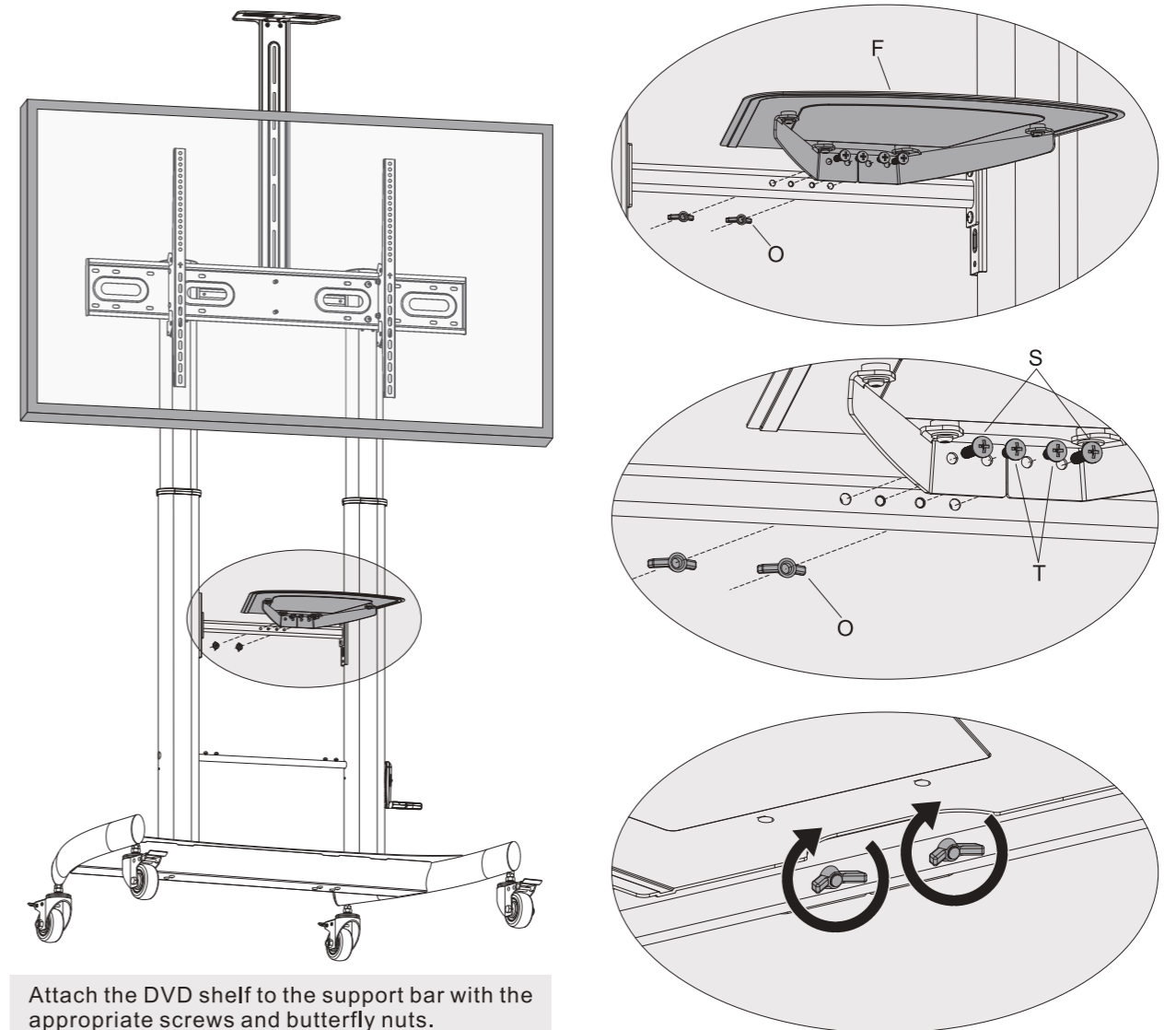
10. Installing the Camera Shelf



11. Installing the DVD Shelf



Install the support bar to the columns at the desired position and secure using the appropriate screws.



Attach the DVD shelf to the support bar with the appropriate screws and butterfly nuts. Tighten all screws and butterfly nuts to secure.